

HEWLETT-PACKARD

HP ScanJet Plus Desktop Scanner and the HP Vectra PC



Set-up Instructions

These instructions show how to set up the HP ScanJet Plus desktop scanner so that it can communicate with the HP Vectra PC.

Typical Configuration

Computer Equipment

- HP Vectra PC with 512 Kbyte memory and MS®-DOS, version 3.1 or above, Microsoft® Windows, version 2.1
- Flexible Disk Drive
- Hard Disk Drive with at least 20 Mbyte of memory

Scanner Equipment

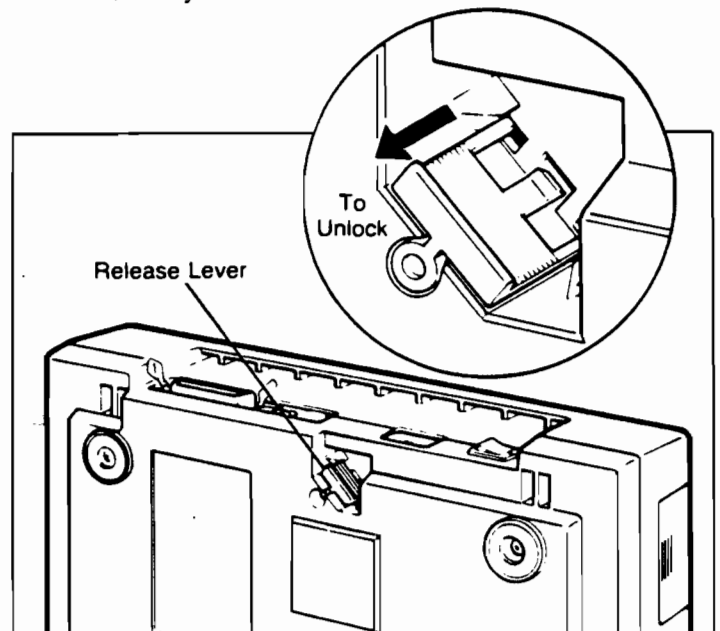
- HP 9195A ScanJet Plus Desktop Scanner
- HP 88295A ScanJet Plus Interface Kit (includes: interface card, interface cable, Scantest software, HP Scanning Gallery Plus software, manual)

Connection Instructions

Unlocking the Scanner

1. Tilt the scanner on end so that the underside of the scanner faces you.
2. Locate the release lever on the underside of the scanner.

3. Slide the release lever out from the scanner until the bottom of the release lever is even with the scanner body and you feel a click.



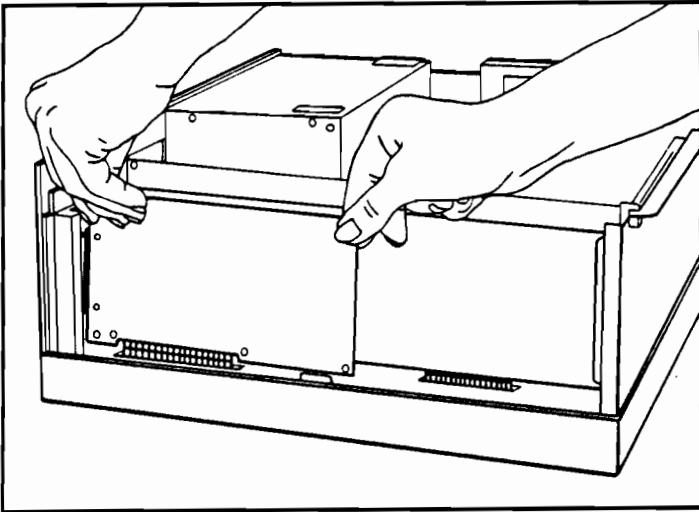
4. Return the scanner to a level position.

Installing the Software

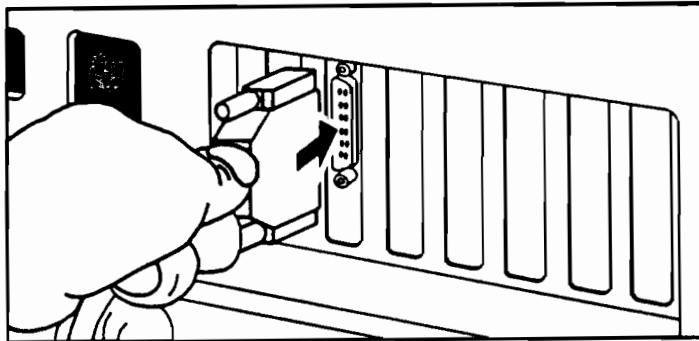
1. Insert the ScanJet Plus Installation Disk into drive A.
2. Type A: Press Enter
3. Type SJSETUP
4. Follow the instructions on the screen. If you need help, refer to the Software Installation Help booklet in the front pocket of the manual binder.

Installing the Interface Card

1. Turn off your computer.
2. Unplug the computer system power cords from the electrical outlets.
3. Remove the interface card from its protective anti-static bag.
4. Remove the plastic cover from the switches.
5. Set the switches to the positions suggested for your system in the installation program.
6. Insert the HP 88295A interface card into an empty expansion slot in your HP Vectra. Press the card down firmly.

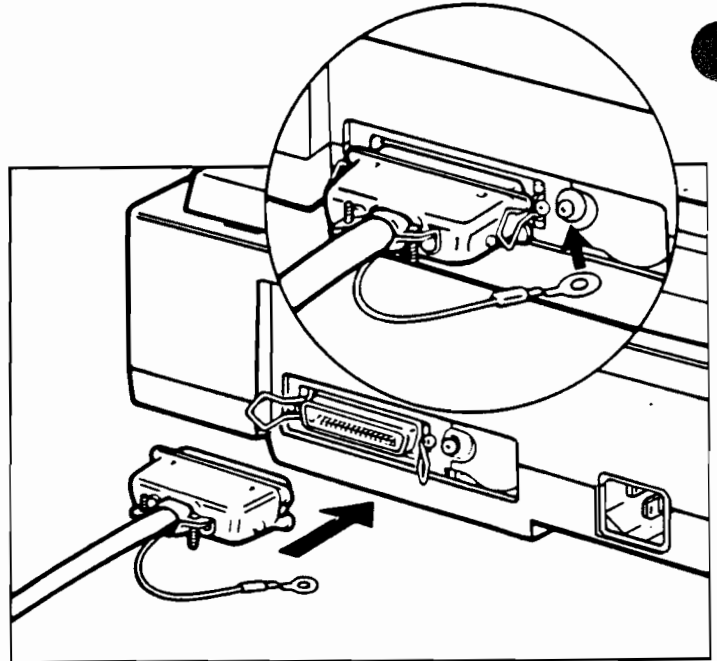


7. Attach the smaller end of the interface cable to the connector on the scanner interface card.



8. Tighten the screws on the cable.

9. Attach the other end of the interface cable to the connector on the back of the scanner by pushing the wire loop connectors into the holders on the interface cable.



10. Remove the screw located to the right of the scanner connector, insert the screw into the loop end of the ground wire, and replace the screw in the scanner.

Testing Your Installation

1. Attach the power cord to the scanner.
2. Plug the scanner power cord into an electrical outlet.
3. Turn on the scanner's rear power switch. The power indicator on the front side of the scanner should be lit.
4. Turn on your computer system.
5. Type: `CD \SCANGAL`
6. Type: `WIN`
7. Double-click on **SCANTEST.EXE**
8. Follow the instructions on the screen. For more information about running Scantest, refer to chapter 2 of the *ScanJet Plus User's Guide*.

MS-DOS is a U.S. registered trademark of Microsoft Corporation
Microsoft is a U.S. registered trademark of Microsoft Corporation.

Technical information in this document is subject to change without notice.

© Hewlett-Packard Co. 1988

Printed in U.S.A. 1288
5959-2450