

HEWLETT-PACKARD

HP ScanJet Plus Desktop Scanner and the IBM PS/2



Set-up Instructions

These instructions show how to set up the HP ScanJet Plus desktop scanner so that it can communicate with the IBM PS/2.

Typical Configuration

Computer Equipment

- IBM PS/2 Model 50, 60, 70, 80 with 640 Kbyte memory and MS®-DOS, version 3.1 or above, Microsoft® Windows, version 2.1
- Flexible Disk Drive
- Hard Disk Drive with at least 20 Mbyte of memory

Scanner Equipment

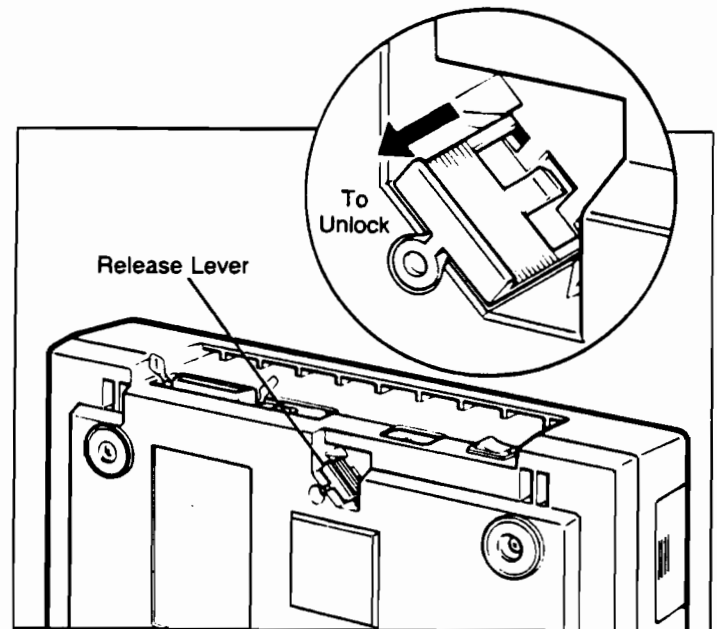
- HP 9195A ScanJet Plus Desktop Scanner
- HP 88495A ScanJet Plus Interface Kit (includes: adapter card, interface cable, Scantest software, HP Scanning Gallery Plus software, manual)

Connection Instructions

Unlocking the Scanner

1. Tilt the scanner on end so that the underside of the scanner faces you.
2. Locate the release lever on the underside of the scanner.

3. Slide the release lever out from the scanner until the bottom of the release lever is even with the scanner body and you feel a click.



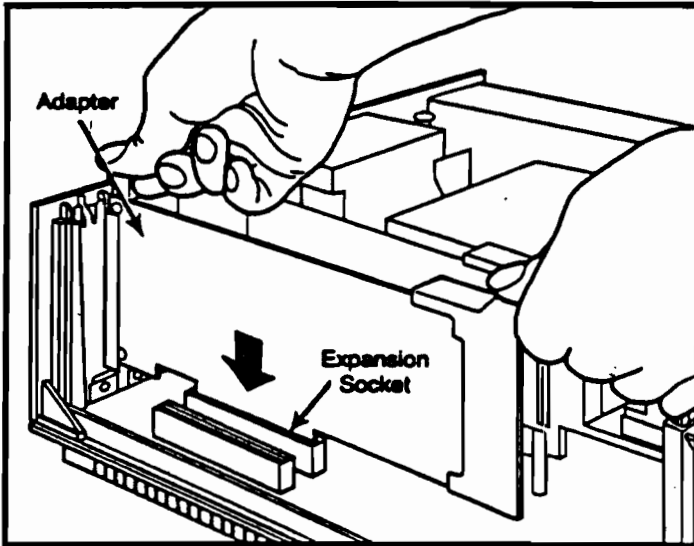
4. Return the scanner to a level position.

Installing the Software

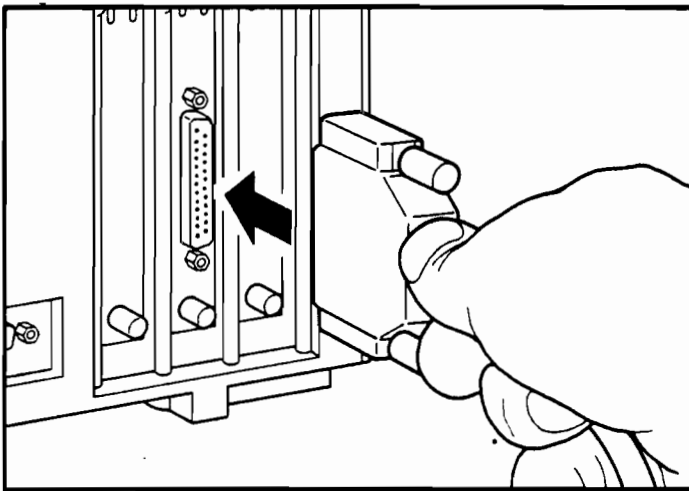
1. Insert the ScanJet Plus Installation Disk into drive A.
2. Type A: Press Enter
3. Type SJSETUP
4. Follow the instructions on the screen. If you need help, refer to the Software Installation Help booklet in the front pocket of the manual binder.

Installing the Adapter

1. Turn off your computer.
2. Unplug the computer system power cords from the electrical outlets.
3. Remove the adapter card from its protective anti-static bag.
4. Insert the HP 88495A adapter card into an empty expansion slot in your computer. Press the card down firmly.

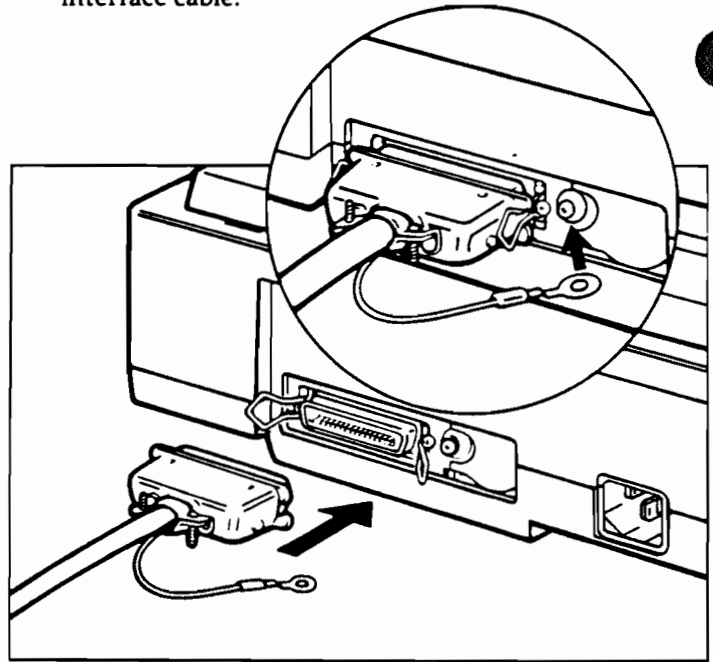


5. Attach the smaller end of the interface cable to the connector on the scanner adapter card.



6. Tighten the screws on the cable.

7. Attach the other end of the interface cable to the connector on the back of the scanner by pushing the wire loop connectors into the holders on the interface cable.



8. Remove the screw located to the right of the scanner connector, insert the screw into the loop end of the ground wire, and replace the screw in the scanner.

Reconfiguring Your System

1. Attach the power cord to the scanner.
2. Plug the scanner power cord into an electrical outlet.
3. Turn on the scanner's rear power switch. The power indicator on the front side of the scanner should be lit.
4. Insert your *backup copy* of the IBM PS/2 Reference Diskette in drive A.
5. Turn on your computer system. If "Adapter Configuration Error" or 00165 appears in the screen title, the system is working correctly. If not, refer to chapter 2 of the *ScanJet Plus User's Guide*.
6. Reconfigure the system by following the step-by-step instructions on the screen. Remember to remove the backup Reference Diskette from drive A.

Testing Your Installation

1. Type: `CD \SCANGAL`
2. Type: `WIN`
3. Double-click on **SCANTEST.EXE**
4. Follow the instructions on the screen. For more information about running Scantest, refer to chapter 2 of the *ScanJet Plus User's Guide*.

MS-DOS is a U.S. registered trademark of Microsoft Corporation
Microsoft is a U.S. registered trademark of Microsoft Corporation.

Technical information in this document is subject to change without notice.

© Hewlett-Packard Co. 1988

Printed in U.S.A. 1288
5959-2444