
HP Notebook PC

Startup Guide

Notice

This manual and any examples contained herein are provided “as is” and are subject to change without notice. Hewlett-Packard Company makes no warranty of any kind with regard to this manual, including, but not limited to, the implied warranties of merchantability and fitness for a particular purpose. Hewlett-Packard Co. shall not be liable for any errors or for incidental or consequential damages in connection with the furnishing, performance, or use of this manual or the examples herein.

Consumer transactions in Australia and the United Kingdom: The above disclaimers and limitations shall not apply to Consumer transactions in Australia and the United Kingdom and shall not affect the statutory rights of Consumers.

© Copyright Hewlett-Packard Company 2001-2002. All rights reserved. Reproduction, adaptation, or translation of this manual is prohibited without prior written permission of Hewlett-Packard Company, except as allowed under the copyright laws.

The programs that control this product are copyrighted and all rights are reserved. Reproduction, adaptation, or translation of those programs without prior written permission of Hewlett-Packard Co. is also prohibited.

Portions of the programs that control this product may also be copyrighted by Microsoft Corporation, SystemSoft Corp., Phoenix Technologies, Ltd., ATI Technologies Inc., Intel Corporation, and Adobe Systems Incorporated. See the individual programs for additional copyright notices.

This product incorporates copyright protection technology that is protected by method claims of certain U.S. patents and other intellectual property rights owned by Macrovision Corporation and other rights owners. Use of this copyright protection technology must be authorized by Macrovision Corporation and is intended for home and other limited viewing uses only unless otherwise authorized by Macrovision Corporation. Reverse engineering or disassembly is prohibited.

Microsoft®, MS-DOS®, and Windows® are U.S. registered trademarks of Microsoft Corporation. Pentium® and the Intel Inside logo are U.S. registered trademarks and Celeron™ and SpeedStep™ are U.S. trademarks of Intel Corporation. TrackPoint™ is a U.S. trademark of International Business Machines. Adobe® and Acrobat® are trademarks of Adobe Systems Incorporated.

Hewlett-Packard Company
HP Notebook Customer Care
1000 NE Circle Blvd., MS 425E
Corvallis, OR 97330

Important Safety Information

CAUTION

To reduce the risk of fire, use only No. 26 AWG or larger telecommunications line cord to connect a modem to the telephone wall jack.

When using your computer with a telephone connection, always follow basic safety precautions to reduce the risk of fire, electric shock, and injury to persons:

- Do not use this product with a telephone connection near water (for example, near a bathtub, sink, swimming pool, or in a wet basement).
- Avoid using a telephone connection (other than a cordless type) during an electrical storm. There may be a remote risk of electric shock from lightning.
- Do not use a telephone connection to report a gas leak in the vicinity of the leak.
- Use only the power cord and batteries indicated in this manual. Do not dispose of batteries in a fire. They may explode. Check with local codes for possible special disposal instructions.

HP Software Product License Agreement

Your HP product contains software programs. CAREFULLY READ THIS LICENSE AGREEMENT BEFORE PROCEEDING TO OPERATE THIS EQUIPMENT. RIGHTS IN THE SOFTWARE ARE OFFERED ONLY ON THE CONDITION THAT THE CUSTOMER AGREES TO ALL TERMS AND CONDITIONS OF THE LICENSE AGREEMENT. PROCEEDING TO OPERATE THE EQUIPMENT INDICATES YOUR ACCEPTANCE OF THESE TERMS AND CONDITIONS. IF YOU DO NOT AGREE WITH THE TERMS OF THE LICENSE AGREEMENT, YOU MUST NOW EITHER REMOVE THE SOFTWARE FROM YOUR HARD DISK DRIVE AND DESTROY THE MASTER DISKETTES, OR RETURN THE COMPLETE HP PRODUCT AND SOFTWARE FOR A FULL REFUND. PROCEEDING WITH CONFIGURATION SIGNIFIES YOUR ACCEPTANCE OF THE LICENSE TERMS.

UNLESS OTHERWISE STATED BELOW, THIS HP SOFTWARE LICENSE AGREEMENT SHALL GOVERN THE USE OF ALL SOFTWARE THAT IS PROVIDED TO YOU AS PART OF THE HP PRODUCT AND SHALL SUPERSEDE ANY OTHER SOFTWARE WARRANTY STATEMENT THAT MAY BE INCLUDED IN THIS HP PRODUCT OR MAY BE FOUND ONLINE.

Operating system and software applications by Microsoft are licensed to you under the Microsoft License Agreement contained in the Microsoft documentation or displayed on your screen when Microsoft Software Products are launched.

For a PC supplied with a Microsoft operating system: When you start the PC and accept the Microsoft End-user License Agreement (“EULA”), your license rights are valid only

if a Certificate of Authenticity (“COA”) label corresponding to your Microsoft operating system is provided with your PC. The COA label can usually be found on the bottom of the computer. If the COA label does not correspond to your Microsoft operating system or is missing, contact your HP reseller for details.

Other non-HP Software and Operating Systems are covered by the appropriate vendor license. The following License Terms govern the use of the HP software:

USE. Customer may use the software on any one HP product. Customer may not network the software or otherwise use it on more than one HP product. Customer may not reverse assemble or decompile the software unless authorized by law.

COPIES AND ADAPTATIONS. Customer may make copies or adaptations of the software a) for archival purposes or (b) when copying or adaptation is an essential step in the use of the software with an HP product so long as the copies and adaptations are used in no other manner.

OWNERSHIP. Customer agrees that he/she does not have any title or ownership of the software, other than ownership of the physical media. Customer acknowledges and agrees that the software is copyrighted and protected under the copyright laws. Customer acknowledges and agrees that the software may have been developed by a third party software supplier named in the copyright notices included with the software, who shall be authorized to hold the Customer responsible for any copyright infringement or violation of this Agreement.

PRODUCT RECOVERY CD-ROM. If your HP product was shipped with a product recovery CD-ROM: (i) The product recovery CD-ROM and/or support utility software may only be used for restoring the hard disk of the HP product with which the product recovery CD-ROM was originally provided. (ii) The use of any operating system software by Microsoft contained in any such product recovery CD-ROM shall be governed by the Microsoft License Agreement.

TRANSFER OF RIGHTS IN SOFTWARE. Customer may transfer rights in the software to a third party only as part of the transfer of all rights and only if Customer obtains the prior agreement of the third party to be bound by the terms of this License Agreement. Upon such a transfer, Customer agrees that his/her rights in the software are terminated and that he/she will either destroy his/her copies and adaptations or deliver them to the third party.

SUBLICENSING AND DISTRIBUTION. Customer may not lease, sublicense the software or distribute copies or adaptations of the software to the public in physical media or by telecommunication without the prior written consent of Hewlett-Packard.

TERMINATION. Hewlett-Packard may terminate this software license for failure to comply with any of these terms provided Hewlett-Packard has requested Customer to cure the failure and Customer has failed to do so within thirty (30) days of such notice.

UPDATES AND UPGRADES. Customer agrees that the software does not include updates and upgrades which may be available from Hewlett-Packard under a separate support agreement.

EXPORT CLAUSE. Customer agrees not to export or re-export the software or any copy or adaptation in violation of the U.S. Export Administration regulations or other applicable regulation.

U.S. GOVERNMENT RESTRICTED RIGHTS. Use, duplication, or disclosure is subject to HP standard commercial license terms and for non-DOD Departments and Agencies of the U.S. Government, the restrictions set forth in FAR 52.227-19(c)(1-2) (June 1987) Hewlett-Packard Company, 3000 Hanover Street, Palo Alto, CA 94304 U.S.A. Copyright (c) 2000 Hewlett-Packard Company. All Rights Reserved. Customer further agrees that Software is delivered and licensed as “Commercial computer software” as defined in DFARS 252-227-7014 (June 1995) or as a “commercial item” as defined in FAR 2.101(a), or as “Restricted computer software” as defined in FAR 52.227-19 (or any equivalent agency regulation or contract clause), whichever is applicable. The Customer agrees that it has only those rights provided for such Software by the applicable FAR or DFARS clause or the HP standard software agreement for the product involved.

Support Policy for Microsoft Operating Systems Service Pack. HP will provide end user support for HP PCs that use Microsoft Operating Systems, including its latest service packs. This support will be available 30 days after the service pack being released by Microsoft.

Edition History

Edition 3 (EB, EF) January 2002



This manual is printed on recycled paper.

Contents

Getting Started with Your HP Notebook.....	9
Taking Inventory	10
What's in the box?	10
To find more information	11
Identifying Parts of the Computer	12
Front View	12
Back View	13
Bottom View	14
Status Lights	15
Setting Up Your Computer.....	17
Step 1: Install the battery	17
Step 2: Connect AC power	19
Step 3: Connect a phone line	20
Step 4: Turn on the computer	21
Step 5: Set up Windows.....	21
Step 6: Register your notebook	22
What to do next.....	23
To connect to the Internet.....	23
Basic Operation	25
Operating Your Computer.....	26
To turn the computer on and off.....	26
To reset the computer	27
To change the boot device	28
To use the pointing devices	28
To use the Fn hot keys.....	30
Working in Comfort with a Notebook PC.....	31
Batteries and Power Management.....	33
Using Battery Power.....	34
To check battery status	34
To respond to a low-battery warning.....	35
To recharge the battery	35
Add-On Devices	37
Using Plug-In Modules	38
To install hot-swap support (Windows 98)	38
To replace a plug-in module	39
Installing Additional RAM.....	41
To install a RAM expansion module	41

Replacing the Hard Disk Drive	43
To replace the hard disk drive	43
Troubleshooting and Maintenance.....	45
Troubleshooting Your Computer	46
Display Problems.....	46
Hard Disk Drive Problems	47
Keyboard and Pointing Device Problems.....	47
Performance Problems.....	48
Power and Battery Problems	48
Startup Problems.....	49
Testing the Hardware	50
To run the e-Diagtools diagnostic test.....	50
Configuring the Computer.....	52
To run the BIOS Setup utility.....	52
Reinstalling and Updating Software.....	53
To recover the factory installation of your hard disk	53
HP Support and Service	55
Getting Assistance for Your Computer	56
To get help from the web.....	56
To contact HP for support or service.....	56
To receive repair service.....	59
To prepare your computer for shipment.....	60
Hewlett-Packard Limited Warranty Statement	61
Reference Information.....	63
Hardware Specifications.....	64
Safety Information.....	68
Power Cords.....	68
Ergonomics	69
Battery Safety	69
Laser Safety	70
LED Safety	70
Exposure to Radio Frequency Radiation.....	71
Regulatory Information	72
U.S.A.	72
Canada	73
European Union.....	74
Japan	75
Russia.....	76
International.....	76
Index	79

Getting Started with Your HP Notebook

Taking Inventory

Congratulations! Your notebook computer sets a new standard in personal computing. Although compact and easy to carry, your computer is made with the quality and attention to detail that are the hallmark of Hewlett-Packard.

Your computer has several features that make it convenient to use:

- Two buttons provide convenient options for starting and stopping the computer.
- Volume controls are located within easy reach on the computer's right side, and the audio-off button and light let you cut off all sound quickly when needed.
- All cable connectors are near the back of the computer, keeping cables away from your working area.

This manual shows how to set up and operate your computer, as well as what to do if you run into trouble.

What's in the box?

- HP notebook PC.
- Main battery (installed).
- CD-ROM, DVD, or similar drive module (installed).
- Floppy disk drive module (with certain models).
- AC adapter and power cord.
- Quick Start sheet.
- *Startup Guide*.
- *Recovery CD*, for restoring Windows and all software included with your computer.
- Microsoft Windows manual.
- CD with special software (for models with certain drive modules).

In addition, your HP notebook includes preinstalled software. (The exact software installed depends on your particular notebook model.)

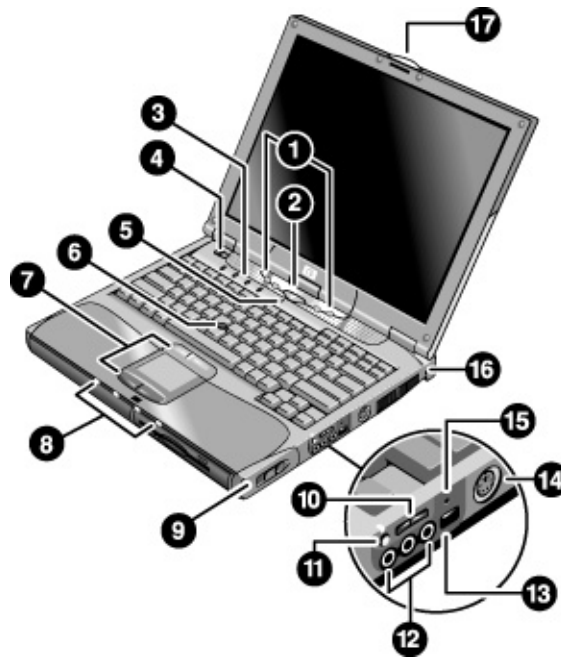
To find more information

The following table lists other sources of information about your computer and related products.

Source	Description and Location
<i>Startup Guide</i>	This printed manual introduces your computer. It also contains setup instructions, basic operation guidelines, troubleshooting information, and warranty information.
<i>Online Reference Guide</i>	The full <i>Reference Guide</i> is shipped on the computer's hard drive, and provides a complete source for operating and maintaining the computer. Look in the online HP Library, or on the <i>Recovery CD</i> in \hp\Library. For Windows XP, the HP Library is in the Help and Support Center.
Online HP Notes	For late-breaking information available after the manuals were completed, see the HP Notes in the online HP Library, or on the <i>Recovery CD</i> in \hp\Library.
Microsoft Windows manual	This is shipped with your computer and contains information about using the version of Microsoft Windows shipped with your computer.
HP Notebook Web Site	www.hp.com/notebooks www.europe.hp.com/notebooks (European mirror).
HP Business Support Web Site	www.hp.com/go/bizsupport .
<i>Corporate Evaluator's Guide</i>	This provides information about installing alternate operating systems, as well as how to configure your notebook computer in a corporate, networked environment. Located at the HP Business Support Web site.

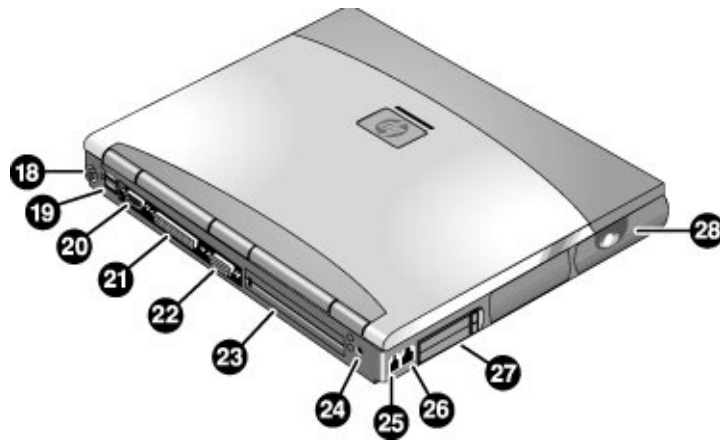
Identifying Parts of the Computer

Front View



- | | |
|--|---|
| 1. One-Touch buttons. | 9. Module eject latch. |
| 2. Sleep button. Suspends and resumes operation. | 10. Volume control. |
| 3. Keyboard status lights. | 11. Audio-off button and audio-off light. |
| 4. Power slide button. Turns the computer on and off. | 12. Audio jacks (left to right): audio out (headphones), external microphone, audio in (on certain models). |
| 5. Built-in microphone. | 13. Infrared port. |
| 6. Pointing stick (on certain models). | 14. S-video port (on certain models). |
| 7. Touch pad, click and scroll buttons, plus on-off button (on certain models). | 15. System-off switch. |
| 8. Main status lights (left to right): power mode, hard disk activity, main battery, and secondary battery (if supported). | 16. Kensington lock slot (security connector). |
| | 17. Computer open/close latch. |

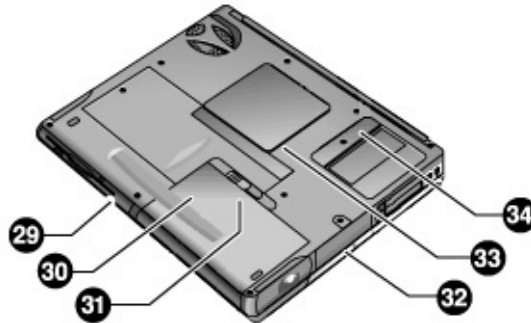
Back View



- 18. PS/2 keyboard or PS/2 mouse port (supports Y adapter).
- 19. Two universal serial bus ports (USB).
- 20. Serial port (COM1). Use this port for a serial mouse, modem, printer, or other serial device.
- 21. Parallel port (LPT1). Use this port for a parallel printer or other parallel device, or to connect the floppy disk drive externally.
- 22. External monitor port.
- 23. Docking port.
- 24. AC adapter jack.
- 25. Modem port (on certain models).
- 26. LAN port.
- 27. PC Card and CardBus slot.
- 28. Wireless on-off button and indicator light (on certain models).

Getting Started with Your HP Notebook
Identifying Parts of the Computer

Bottom View



29. Plug-in module bay. Can contain a CD-ROM or DVD drive, floppy disk drive, secondary battery (certain models), or other plug-in module.

30. Main battery.

31. Main battery latch.

32. Hard disk drive.

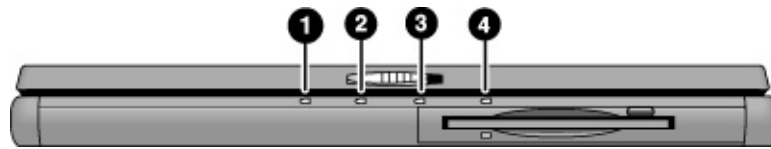
33. RAM cover.

34. Mini-PCI cover (no user parts inside).

Status Lights

The computer includes a number of status lights that report power and battery status, drive activity, and keyboard functions such as Caps Lock and Num Lock.

The following diagram shows the status lights on the front of the computer.



1. Power mode.

- On: the computer is on (even if the display is off).
- Blinking: the computer is in Standby mode.
- Off: the computer is off or in Hibernate mode.

2. Hard disk drive activity.

- On: computer is accessing the hard disk drive.

3. Main battery status.

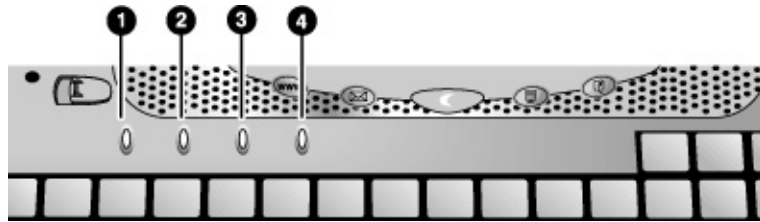
- Green: the AC adapter is connected and the battery is fully charged.
- Amber: the AC adapter is connected and the battery is charging.
- Blinking: the AC adapter is connected and the battery is missing or has a fault.
- Off: the AC adapter is not connected.

4. Secondary battery status. This light is not present on models that don't support a secondary battery.

- Green: the AC adapter is connected and the battery is fully charged.
- Amber: the AC adapter is connected and the battery is charging.
- Blinking: the battery has a fault.
- Off: the AC adapter is not connected, a secondary battery is not installed, or the battery is not charging.

Getting Started with Your HP Notebook Identifying Parts of the Computer

The keyboard status lights, located above the keyboard, indicate the states of the keyboard locks.



1. **Caps Lock.** Caps Lock is active.
2. **Num Lock.** Num Lock is active. (The Keypad Lock must also be on to use the embedded keypad.)
3. **Keypad Lock.** The embedded keypad is active (Fn+F8). Num Lock must also be on for the numeric keys—otherwise, cursor control is active (as marked on an external keyboard).
4. **Scroll Lock.** Scroll Lock is active.

Setting Up Your Computer

WARNING

Improper use of keyboards and other input devices has been associated with ergonomic injury. For information about reducing your risk, see *Working in Comfort* in the online HP Library, or visit our ergonomics Web site, www.hp.com/ergo. For a summary about working with a notebook computer, see “*Working in Comfort with a Notebook PC*” on page 31.

If you are using your notebook computer as your primary computer, or using it for extended periods, you should use it with a full-size keyboard, monitor, and mouse. HP docking accessories offer quick, easy connections to these devices. This can reduce the risk of ergonomic injury. See *Working in Comfort* in the online HP Library.

When you set up your computer for the first time, you'll install and charge the battery, connect the AC adapter, turn on the computer, and run the Windows setup program.

Step 1: Install the battery

WARNING

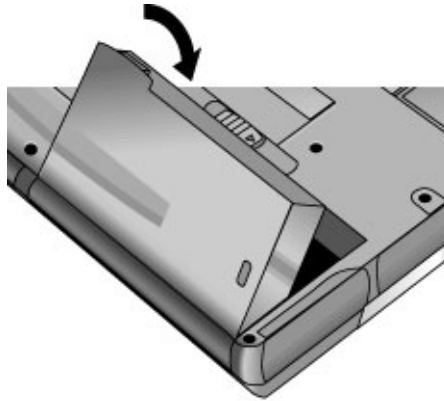
Do not mutilate or puncture batteries. Do not dispose of batteries in fire, or they can burst or explode, releasing hazardous chemicals. Rechargeable batteries must be recycled or disposed of properly.

Your computer is shipped with the battery installed. If the battery has been removed, you should install it:

1. Turn the computer upside down.

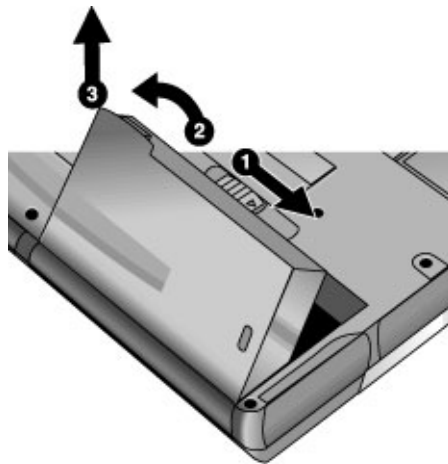
Getting Started with Your HP Notebook
Setting Up Your Computer

2. Insert the front (rounded) end of the battery into the battery compartment on the bottom of the computer, and lower the back end in until it clicks into place.



To remove the battery

1. Before removing the battery, do one of the following:
 - Shut down the computer or put it into Hibernate mode.
 - Plug in the AC adapter.
2. Slide the battery's release latch, then lift the battery out of its compartment.

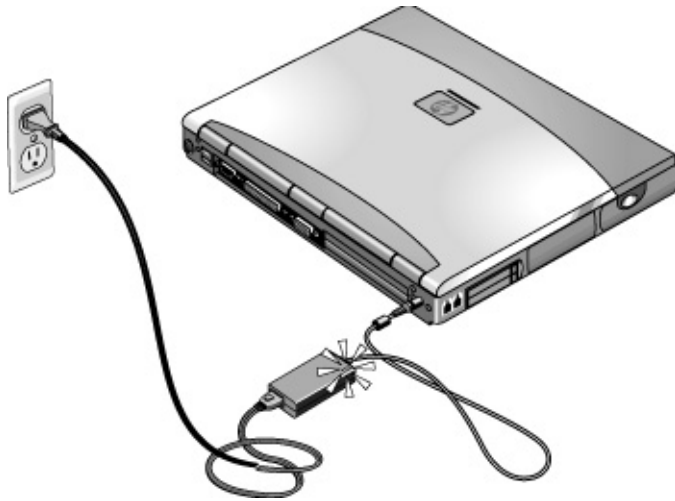


Step 2: Connect AC power

CAUTION

Use only the HP AC adapter included with your computer (or other approved adapter). Using any other AC adapter could damage the computer and may void your warranty (see "Hewlett-Packard Limited Warranty Statement" on page 61).

- Plug in the AC adapter, and connect it to the AC adapter jack on the back of the computer. The computer's battery then starts charging.



While the battery is charging, you can continue with step 3.

Step 3: Connect a phone line

If your computer does not include a built-in modem, you can skip this step. Also, if you prefer, you can instead connect to a PC Card modem or an external modem.

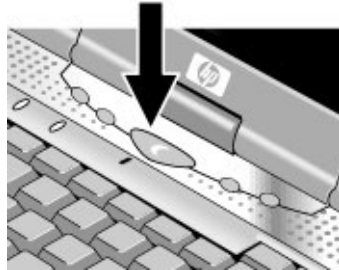
1. Make sure the telephone line is an analog line, sometimes called a data line. (You must not use a digital line.)
2. Connect the telephone cord into a telephone jack. If the plug on the phone cord doesn't fit the jack, you may need to use an adapter.
3. Plug the other end of the phone cord into the built-in modem.



For details about using the modem, including AT commands, see the online *Reference Guide*.

Step 4: Turn on the computer

- Press the blue sleep button above the keyboard. The computer then boots up, and Windows starts automatically.



Hint

If your computer does not turn on when operating on battery power, the battery may be out of power. Plug in the AC adapter and press the blue sleep button again. Leave the AC adapter plugged in for at least an hour—or 2–3 hours to charge it fully.

Step 5: Set up Windows

Your notebook computer has Microsoft Windows preinstalled on its hard disk drive. The first time you turn on your computer, the Windows Setup program runs automatically so you can customize your setup.

1. Follow the Setup program's instructions as they appear on the screen. If the program prompts you to enter the Product ID code, you will find this code on the bottom of the computer.
2. If your computer has a modem, check the modem's country or region settings:
 - **Windows 98:** click Start, Settings, Control Panel, double-click Modems, then click Dialing Properties.
 - **Windows 2000:** click Start, Settings, Control Panel, double-click Phone and Modem Options, then click Edit on the Dialing Rules tab.
 - **Windows XP:** click Start, Control Panel, Printers and Other Hardware, Phone and Modem Options, then click Edit on the Dialing Rules tab.

Step 6: Register your notebook

Be sure to register your computer. Registering is free and fast, and ensures you will receive quicker, more personalized support. The information you provide during registration allows us to provide you with better products and services.

Registering your computer does the following:

- Records your ownership of the computer with Hewlett-Packard and provides access to service, support, and information.
- Records your ownership of the Windows 98 or XP operating system with Microsoft. If you have Windows 2000, please contact Microsoft separately to register the operating system.

You can register while setting up Windows, or later in any of three ways: by modem, by phone, or by fax. For some countries and models, an HP notebook registration icon is available on the desktop.

By modem

If your computer does not have a built-in modem, you can register after you set up a PC Card modem or an external modem—or you can register by phone or fax.

- If you are not prompted to register, you can click the Register button in the welcome screen. Make sure the phone line is connected to the modem port and follow the onscreen instructions.

If you choose not to register right away, you can do so by modem later by double-clicking the Registration icon on the desktop (if available). Make sure the phone line is connected and follow the onscreen instructions. The icon disappears after you register.

By phone

You can register by calling your HP Customer Care Center. See “To contact HP for support or service” on page 56 for the phone number.

By fax

If you have a printer connected to your computer, you can print a registration form and fax it to HP. Double-click the HP Notebook Registration icon on the desktop (if available), and print the registration form. You will find the fax number on the form.

What to do next

Here are a few things you may want to try at this point:

- If you're not familiar with the version of Windows installed on your computer, click Start, Help (Windows 98 or 2000) or Start, Tour Windows XP, or check the Windows manual to discover what's new.
- If your computer includes a DVD drive or CD-RW drive, you also received special software for the drive—find the software CD in the box. Click Start, Programs (Windows 98 or 2000) or Start, All Programs, Multimedia (Windows XP)—if the software isn't listed, install it by inserting the CD in the drive. Follow the instructions displayed—run Setup on the CD if it doesn't run automatically.

See the online *Reference Guide* to learn more about using and maintaining your computer.

To connect to the Internet

If you are connected to a wired or wireless LAN with Internet access or your computer has a modem (built-in, PC Card, or external), you can connect to the Internet. For details, see the online *Reference Guide*—click Start, Programs, HP Library (Windows 98 or 2000) or Start, Help and Support, HP Library (Windows XP).

Basic Operation

Operating Your Computer

You can start and stop your computer using its blue sleep button. However, at certain times you may want to use other methods to start or stop the computer—depending on power considerations, types of active connections, and start-up time.

For information on caring for and protecting your computer, see “Operating Your Computer” in the online *Reference Guide*.

To turn the computer on and off

Power mode	To enter this mode
On mode Power mode status light is on.	Press the blue sleep button.
Standby mode Saves significant power. Turns off the display and other components. Maintains current session in RAM. Restarts quickly. Restores network connections. Power mode status light is blinking.	Press blue sleep button –or– click Start, Shut Down, Standby (Windows 98 or 2000) –or– click Start, Turn Off Computer, Stand By (Windows XP) –or– allow timeout.
Hibernate mode Saves maximum power. Saves current session to disk, then shuts down. Restores network connections. Power mode status light is off.	Press Fn+F12 –or– click Start, Hibernate (Windows 98) –or– click Start, Shut Down, Hibernate (Windows 2000) –or– allow timeout.
Shut down (off) Saves maximum power. Turns off without saving current session. At startup, resets everything, starts a new session, and restores network connections. Power mode status light is off.	Click Start, Shut Down, Shut down (Windows 98 or 2000) –or– click Start, Turn Off Computer, Turn Off (Windows XP) –or– slide the power button (only if the Start menu procedure doesn't work).
To turn on: Press the blue sleep button to restart, or to resume your session from Standby or Hibernate mode.	

You can also customize the way these power modes work. See the chapter titled “Batteries and Power Management” in the online *Reference Guide*.

To reset the computer

Occasionally, you may find that Windows or the computer has stopped responding, and will not let you turn the computer off. If this happens, try the following in the order listed.

- If possible, shut down Windows:

Windows 98 or 2000: press CTRL+ALT+DEL, click Shut Down, and press the blue sleep button to restart.

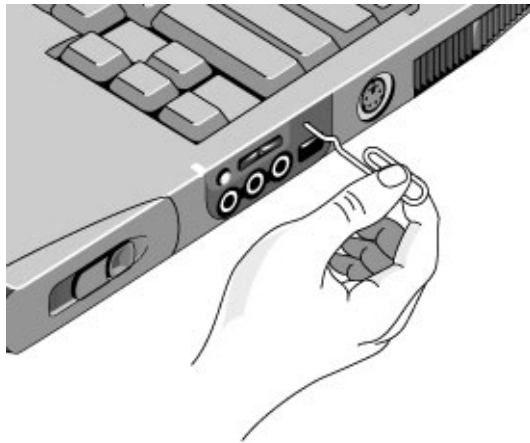
Windows XP: press CTRL+ALT+DEL, then click Shut Down, Restart.

–or, if this fails–

- Slide and hold the power button for 4 seconds, until the display shuts down, then press the blue sleep button to restart.

–or, if this fails–

- Insert a straightened paper clip into the system-off switch on the right side of the computer, then press the blue sleep button to restart.



To change the boot device

The computer normally boots from its internal hard disk. You can also boot the computer from a floppy disk drive in the module bay, a CD-ROM or similar drive in the module bay, or an internal network interface card.

1. Click Start, Shut Down (or Turn Off Computer), Restart.
2. When the HP logo appears, press ESC to display the Boot menu.
3. Use the arrow keys to select the boot device, and press ENTER.

If you want to boot from a specific device whenever it is present, change the boot order using the BIOS Setup utility—see “To run the BIOS Setup utility” on page 52.

To use the pointing devices

Model with pointing stick and touch pad

Your computer includes two built-in pointing devices: the pointing stick and touch pad.



1. Pointing stick (pressure-sensitive pointing device).
2. Click buttons and scroll button. The click buttons work like the left and right buttons on a standard mouse. The scroll button scrolls the contents of a window.
3. Touch pad (touch-sensitive pointing device).
4. Click buttons. These also work like the left and right buttons on a standard mouse.

Model with touch pad only

The touch pad includes an on-off button so you can turn off the touch pad to avoid moving the pointer accidentally. The indicator light turns off when you turn off the touch pad.



1. Touch pad on-off button and indicator light.
2. Touch pad (touch-sensitive pointing device).
3. Click buttons and scroll button. The click buttons work like the left and right buttons on a standard mouse. The scroll button scrolls the contents of a window.

Moving and selecting

1. Place your hands in a normal typing position.
2. **Pointing stick.** With your index finger, press the pointing stick in the direction you want the pointer to move.
Touch pad. Move a thumb or finger across the touch pad in the direction you want the pointer to move.
3. Use the left and right click buttons, which function like the left and right buttons on a mouse, to make your selection:
 - To open an application, move the pointer over the icon and double-click the left button.
 - To make menu selections, move the pointer to the menu item and click the left button.
 - To open the shortcut menu for an item, move the pointer over the item and click the right button.
 - To drag an item, move the pointer over the item. Then press *and hold* the left button while you move the pointer to the new location, and release the button.

In addition, you can tap the touch pad to select items and use other advanced touch pad features. For more information, double-click the touch pad icon in the taskbar, then click Help in the tab for a particular feature.

You can use Mouse in Control Panel or the touch pad icon in the taskbar to customize the operation of your computer's pointing devices (pointing stick, touch pad, and external mouse): you can change the left, right, and scroll button actions, double-click speed, pointer speed, and more.

Basic Operation
Operating Your Computer

Scrolling with the scroll button

- Press the lower end of the scroll button to scroll down through the contents of a window. Press the upper end to scroll up.

To use the Fn hot keys



The combination of the Fn key plus another key creates a *hot key*—a shortcut key sequence—for various system controls. To use a hot key, press *and hold* Fn, press the appropriate second key, then release both keys.

This hot key

Fn+F1

Fn+F2

Fn+F5

Fn+F7

Fn+F8

Fn+F12

Fn+NumLock

Does this

Decreases the display brightness.

Increases the display brightness.

Toggles among the built-in display, an external display, and simultaneous display on both.

Audio mute.

Toggles the built-in keypad on and off. Does not affect an external keyboard. If Num Lock is on, then the numeric functions are active; otherwise, cursor control is active (as marked on an external keyboard).

Enters Hibernate mode.

Toggles Scroll Lock on and off.

Working in Comfort with a Notebook PC

WARNING

Improper use of keyboards and other input devices has been associated with ergonomic injury. For more information about reducing your risk, visit our ergonomics Web site at www.hp.com/ergo—or see *Working in Comfort in the online HP Library*.

You can use your HP notebook computer virtually anywhere, anytime. The following recommendations should help you work more comfortably.

Note

Note that if you are using your portable computer as your primary computer, or using it for extended periods, you should use it with a full-size keyboard, monitor, and mouse. This will give your portable computer the adjustability and comfort features of a desktop unit. HP docking accessories offer quick, easy connections to these devices. More information on how to prepare your workspace environment and set up your HP equipment is available in *Working in Comfort*, which is preloaded on the hard disk in the HP Library and available on the *Recovery CD* in \hp\Library—as well as at www.hp.com/ergo.

Your Mobile Work Environment

- Use a chair that provides good support for your lower back. If an adjustable chair is not available, you can use a pillow or rolled-up towel to provide lower back support.
- Try to keep your thighs parallel to the floor and your feet flat on the floor. In a mobile environment, you can do this by using a phone book or briefcase to support your feet.
- Adjust the height of either your work surface or chair to keep your arms in a neutral position. Your arms should be relaxed and loose, elbows at your sides, with the forearms and hands parallel with the floor.
- Position your notebook computer display to minimize glare and reflection. For example, on an airplane, lower the window shade, or in a hotel room, draw the curtains. You also should maintain a comfortable viewing distance—approximately 40 to 60 cm (16 to 24 inches). Adjust the angle of your display to help keep your head angled slightly downward in a comfortable position.

Basic Operation

Working in Comfort with a Notebook PC

Using Your Mobile Computer

- Position the computer so your wrists and hands are in a neutral position. Your wrists should be as straight as possible and should not have to bend sideways or more than 10 degrees up or down. If your notebook computer does not have a built-in palm rest, you can use a rolled-up towel.
- Try to type as lightly as possible. The notebook keyboard requires little force to activate.
- Take frequent, short rest breaks—this is especially important in a mobile computing environment.
- Portable computers weigh between approximately 1.4 and 3.7 kilos (3 and 8 pounds). When traveling, be sure to carry your computer properly to minimize strain on your body. Shift the bag containing your notebook equipment frequently between your left and right hands and shoulders.

Batteries and Power Management

Using Battery Power

For information about how your computer regulates its power consumption, and how you can manually reduce power consumption and extend the life of the computer's battery, see the chapter titled "Batteries and Power Management" in the online *Reference Guide*.

To check battery status

From the battery status lights

Your computer has one or two battery status lights, one for the main battery and, on certain models, one for an optional secondary battery in the module bay—see "Status Lights" on page 15.

From the Windows taskbar

The Windows taskbar can display a power icon that provides detailed battery status information (see Windows Help for details). The icon looks like a battery when AC is not connected.

- Place the pointer over the power icon to display the remaining battery charge. This value is shown as either a percentage of charge remaining, or as time remaining.
- Double-click the power icon to open the Battery Meter window.

From the Windows Control Panel

- **Windows 98 or 2000:** click Start, Settings, Control Panel, then double-click Power. This provides access to all of Windows' power-information options.
- **Windows XP:** click Start, Control Panel, Performance and Maintenance, Power Options, then click the Power Meter tab to see the battery status. The Alarms and Advanced tabs provide additional Windows' power-information options.

On the battery

1. Remove the battery from the computer—see "Step 1: Install the battery" on page 17.
2. Press the contact pad on the back of the battery. The number of lights that turn on indicates the remaining charge (each light represents 20% of a full charge).

To respond to a low-battery warning

The computer automatically alerts you when the battery power drops to a critically low level. The computer first emits a high-pitched beep or displays a warning message. Then, if you do not restore power within a short time, the computer goes into Hibernate mode.

Once the computer enters Hibernate mode in this way, you won't be able to turn it on again until you restore power by doing one of the following:

- Replace the battery with a charged one. See “Step 1: Install the battery” on page 17.
- Plug in the AC adapter. See “Step 2: Connect AC power” on page 19.
- If your model supports a secondary battery, install a charged secondary battery in the plug-in module bay.

Note

If you plug in the AC adapter, you can continue to work while your battery recharges.

To recharge the battery

CAUTION

The AC adapter is normally warm whenever plugged into an AC outlet. The computer is normally warm while recharging. Don't recharge the computer in a briefcase or other confined space, or its battery could overheat.

- To recharge the main battery, plug the AC adapter into the computer.
- To recharge a secondary battery, plug the AC adapter into the computer and insert the battery into the module bay. Some models do not support a secondary battery—the secondary battery status light is blocked on these models.

The main battery will recharge first, then the secondary battery will recharge.

To get the longest operating time, wait until the battery's charge is below 50% before recharging, then charge it fully (100%). Charging can take up to approximately 2 hours. You can continue working while the battery charges.

A fully charged battery can operate the computer for up to 4 hours, depending on your computer's model, power management settings, and level of use.

Add-On Devices

Using Plug-In Modules

You can use any compatible plug-in module with your computer's module bay, such as:

- CD-ROM, CD-RW, DVD, or similar drive.
- Zip drive.
- Second hard drive.
- Floppy disk drive.
- Secondary battery (only on certain models).

CAUTION

Never remove a plug-in module without first notifying Windows—see “To replace a plug-in module” on page 39. Otherwise, you could lose data.

For information about connecting your modem or LAN (depending on the model), or about connecting PC Cards or external devices, see the online *Reference Guide*. See the same online manual for modem AT commands.

To install hot-swap support (Windows 98)

If your computer uses Windows 98, it also includes “hot-swap” software that lets you swap most modules in the computer's plug-in bay without needing to shut down and reboot the computer.

If a BayManager icon is displayed in the taskbar, hot-swap support is already installed. If the icon is not present, you can install the software as follows:

- Click Start, Programs, Softex BayManager, Setup, then follow the onscreen instructions.

To replace a plug-in module

Windows 98 uses hot-swap software to let you swap most plug-in modules without shutting down the computer. Before replacing a hard drive module, however, you must first shut down the computer.

When a drive module is present, Windows 2000 displays the Unplug or Eject Hardware icon—and Windows XP displays the Safely Remove Hardware icon—at the right end of the taskbar.

CAUTION

Before disconnecting a CD-ROM drive, DVD drive, or any other type of drive, you must either use the icon in the taskbar or shut down the computer—otherwise, you could lose data.

Exception: for Windows 98, you must shut down the computer before connecting or disconnecting a hard disk drive.

Handle and store a module carefully when it's out of the computer. Do not drop it or apply excessive pressure to its surfaces—this could damage its internal mechanisms. Do not touch the metallic pins on the computer's connectors, module connectors, or cable connectors. Static electricity can damage internal components.

1. Close all files that are open from the plug-in module.
2. **Windows 98:** if the BayManager icon is present in the taskbar, right-click the icon, then click Remove/Swap Bay Device. When prompted, remove the module if one is present. Don't click OK until you've inserted the desired module, if any.

Windows 2000 or XP: left-click the Unplug or Eject Hardware or Safely Remove Hardware icon on the taskbar, and select the module you want to remove. When prompted to remove the module, click OK. (You don't have to do this if the bay is empty or contains a battery.)



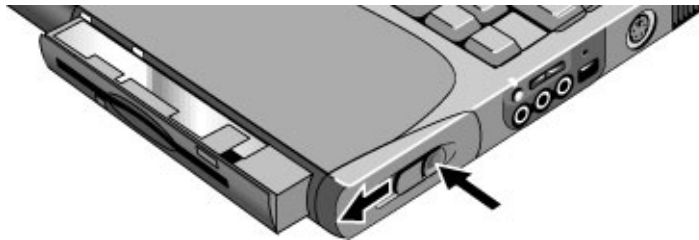
–or–

For any system: shut off the computer. Click Start, Shut Down, Shut down (Windows 98 or 2000) or Start, Turn Off Computer, Turn Off (Windows XP).

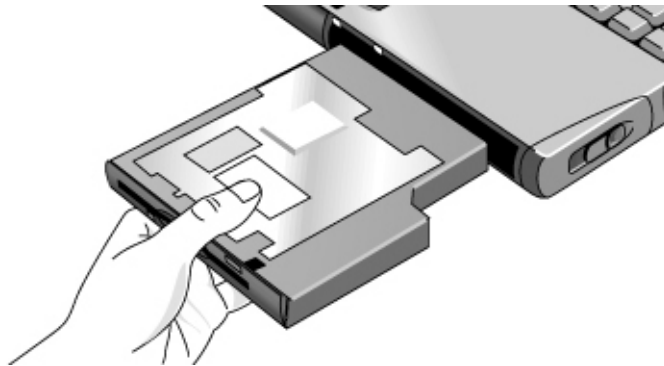
Important: for Windows 98, you must shut off the computer if you are removing or inserting a hard disk drive in the module bay.

Add-On Devices
Using Plug-In Modules

3. Press the button on the module release latch, and slide the latch toward the front of the computer.



4. Grasp the module and pull it out.



5. Slide the new plug-in module into the computer until it clicks into place.
6. For Windows 98, click OK to close the BayManager window.

If you have a CD-ROM drive or other module in the module bay, you can connect the floppy disk drive to the parallel port. See “Using Plug-In Modules” in the online *Reference Guide*.

Installing Additional RAM

The computer has no memory (RAM) built in but has two slots that hold two RAM modules. At least one slot contains a RAM module installed at the factory. You can use both slots to expand your RAM. Use HP PC-133 or higher SDRAM only.

To install a RAM expansion module

You'll need a small Phillips screwdriver for these steps.

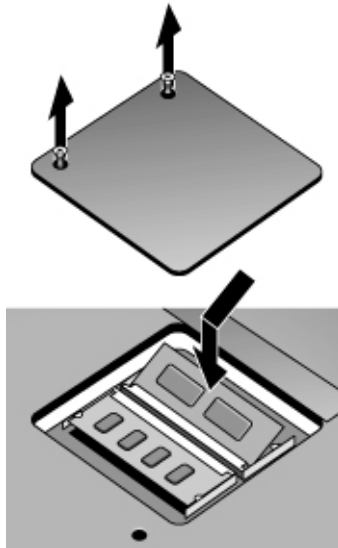
CAUTION

Your computer's chips are extremely sensitive to static electricity, and can be permanently damaged by it. Handle the RAM module only by its edges. Before installing the memory module, discharge your body's static electricity by touching the metal shielding around the connectors on the rear of the computer.

1. Click Start, Shut Down, Shut down (Windows 98 or 2000) or Start, Turn Off Computer, Turn Off (Windows XP).
2. **Important:** unplug the AC adapter, if present, and remove the battery. Remove the secondary battery if one is installed.
3. Turn the unit bottom-side up, loosen the screws holding the RAM cover, and remove the cover. (The cover retains the screws.)

Add-On Devices
Installing Additional RAM

4. Insert the RAM board into the connector at about a 30° angle until it is fully inserted. Then press down at both sides until both latches snap closed.



5. Replace the cover.
6. Insert the battery.

Note

For Windows 98: if you increase your computer's memory to more than 768 MB, the computer will not be able to hibernate unless you also increase the size of the Utility partition on the hard disk—see “To recover the factory installation of your hard disk” on page 53.

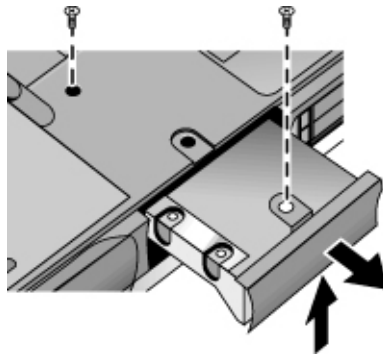
To remove the RAM module, release the two latches at the sides of the module.

Replacing the Hard Disk Drive

To replace the hard disk drive

You'll need a small Phillips screwdriver for this procedure.

1. Unplug the AC adapter if you're using one, and remove the battery.
2. Turn the unit bottom side up and remove the two hard drive screws.
3. Raise the cover on the end of the drive so that its retainer tab is free of the computer casing, then gently pull the hard drive out of the computer.



4. Gently slide the new drive into the hard drive compartment. Press firmly to make sure the connector seats properly.
5. Slide the cover down into place (so the retainer tab engages the casing), and reinstall the hard drive screws.

Important

If you are installing a new hard disk drive, you should create a Utility partition on the drive before loading any software. See “To recover the factory installation of your hard disk” on page 53.

To install the holder on a new hard disk drive or prepare a new hard disk for use, see “Replacing the Hard Disk Drive” in the online *Reference Guide*.

Troubleshooting and Maintenance

Troubleshooting Your Computer

This section contains solutions to a few basic problems you might have with your computer. Try the solutions one at a time, in the order in which they are presented.

Here are some other sources of information for troubleshooting:

- See the troubleshooting chapter in the online *Reference Guide* for a more complete list of troubleshooting suggestions.
- Open the HP web-based troubleshooting tool: double-click the HP Instant Support icon on the Windows desktop (Windows 98 or 2000) or click Start, Help and Support, (Windows XP). Search or browse the troubleshooting database for the information related to your problem.
- Click Start, Help (Windows 98 or 2000) or Start, Help and Support, Fixing a Problem (Windows XP), and use the Windows troubleshooters.
- See the Microsoft Windows manual shipped with the computer.
- See the HP Notes in the online HP Library for updated information.
- Find technical tips and software updates for the computer at the HP Business Support Web site (www.hp.com/go/bizsupport).
- Test your computer by running the e-Diagtools test program. See “Testing the Hardware” on page 50.
- Contact your dealer or Hewlett-Packard—see “To contact HP for support or service” on page 56. Please have your computer with you when you call.

Display Problems

If the computer is on, but the screen is blank

- Move the mouse or pointing stick, or tap the touch pad. This will wake the display if it is in Display-off mode.
- Press Fn+F5 in case the internal display was disabled. (Do this three times to return to the state you started from.)
- If the computer is cold, allow it to warm up.

If the screen is difficult to read

- Try setting the display resolution to its default setting of 1024×768 or higher, depending on your model: click Start, Settings, Control Panel, Display, Settings (Windows 98 or 2000) or Start, Control Panel, Appearance and Themes, Display (Windows XP).

Hard Disk Drive Problems

If the computer's hard drive doesn't spin

- Make sure the computer has power. If necessary, connect the AC adapter, and make sure it is fully plugged into a power source and into the rear of the computer.
- Remove and reinsert the hard drive. See “Replacing the Hard Disk Drive” on page 43.

If files are corrupted

- For Windows 98, run the Scandisk surface scan to check the hard disk. From the Start menu, click Programs, Accessories, System Tools, Scandisk.
- For Windows 2000 or XP, open My Computer, select the disk you want to scan, click File, Properties, and use the Tools tab.
- Run the virus-scanning program. See the chapter titled “Basic Operation” in the online *Reference Guide*.
- Test the hard disk drive with the e-Diagtools diagnostics. See “Testing the Hardware” on page 50.
- If necessary, you can format the hard disk and reinstall the original factory software. See “To recover the factory installation of your hard disk” on page 53.

Keyboard and Pointing Device Problems

Use these suggestions for built-in or external devices.

If the pointer is difficult to control

- Adjust the pointer controls: click Start, Settings, Control Panel, then double-click Mouse (Windows 98 or 2000), or click Start, Control Panel, Printers and Other Hardware, Mouse (Windows XP).

Troubleshooting and Maintenance

Troubleshooting Your Computer

If the touch pad or pointing stick doesn't work

- Don't move the pointer or touch the touch pad while the computer is rebooting or resuming from Standby mode. If this happens, try the following:
 - Press a key on the keyboard to restore normal operation.
 - Suspend and resume operation using the sleep button.
- If an external mouse is connected, the built-in pointing devices are normally disabled. You can change this setting with the BIOS Setup utility—see “To run the BIOS Setup utility” on page 52.
- Restart the computer: click Start, Shut Down (or Turn Off Computer), Restart.

Performance Problems

For best performance with Windows 2000 or XP, your computer should have at least 128 MB of memory (RAM).

If the computer stops responding

- Press CTRL+ALT+DEL to end the application that is not responding.
- Slide and hold the power button for at least four seconds to turn off and reset the computer. Then press the blue sleep button to turn the computer back on.
- If nothing happens, insert a straightened paper clip into the system-off switch on the right side of the computer. Then press the blue sleep button to turn the computer back on.

Power and Battery Problems

If the computer turns off immediately after it turns on

- Battery power is probably extremely low. Plug in the AC adapter or insert a charged battery.

If the computer keeps beeping

- The computer beeps repeatedly or displays a warning when battery power is low. Save your work, shut down Windows immediately, and insert a charged battery or plug in the AC adapter.

If the battery doesn't charge

- Make sure the AC adapter is fully plugged into the power source and the computer, and that the light on the adapter is on.
- If you're using a power strip, remove the AC adapter from the power strip and plug it directly into a wall outlet.
- Make sure the battery is fully installed and locked in place.
- Move the computer away from any nearby heat source. Unplug the AC adapter and allow the battery to cool down. If the battery gets too hot, it will not charge properly.
- If available, try another battery and AC adapter.

Startup Problems

If the computer doesn't respond when you turn it on

- Connect the AC adapter.
- Press the blue sleep button to try turning on the unit.
- Reset the computer by inserting a straightened paper clip into the system-off switch on the right side of the computer. Then press the blue sleep button to turn it on.
- If the computer still doesn't respond, remove the battery and AC adapter, remove any PC cards, and undock the computer if docked. Then plug in the AC adapter again, and reset the computer using the system-off switch.

If the computer won't boot from battery power

- Make sure the battery is properly inserted and fully charged. Check the battery's charge by removing it and pressing the pad on the back of the battery. The lights show the charge level.
- If your model supports a secondary battery and you have one available, install it and try starting the computer.
- If available, try another battery.

Testing the Hardware

The e-Diagtools hardware diagnostic program included with your computer provides two levels of testing:

- Automated testing using its basic hardware test.
- Advanced testing using individual hardware tests.

The tests are designed to run after the system reboots. This ensures that the computer will be in a predictable state, so the diagnostic program can properly test the hardware components. The tests are non-destructive and are intended to preserve the state of the computer. The computer reboots when you exit the program so drivers can be loaded.

To run the e-Diagtools diagnostic test

1. Click Start, Shut Down (or Turn Off Computer), Restart.
2. When the HP logo appears, press F10 to start the diagnostic test.
3. When the menu appears, press ENTER to run e-Diagtools.

The first time you run the program, you will be prompted to select the language for the program.

4. Follow the prompts to run e-Diagtools.
5. When the Configuration Description appears, check the list of detected hardware.

Hint

If a device is not detected or fails its test, it might be configured incorrectly in the BIOS Setup utility. You can confirm this by running BIOS Setup and checking the settings. See “To run the BIOS Setup utility” on page 52.

6. **Run the basic test.** Press F2 to start the basic hardware test. The results appear when the test is complete.
7. If you intend to exit without running the advanced tests, press F4 and then F7 to view the Support Ticket. Press F3 to exit e-Diagtools.
8. **Optional: run the advanced tests.** Press F2 to open the advanced test screen.

9. Select and run the appropriate tests. Tests are listed only for detected hardware. Press the following keys to run tests:

ENTER	Runs the highlighted test.
F5 or SPACE	Marks or unmarks the highlighted test.
F6	Marks or unmarks all tests in the current menu.
F7	Marks or unmarks all tests in all menus.
F10	Runs all marked tests.

10. **Save the Support Ticket.** Press T to update and display a Support Ticket containing system and test information.
11. When you are finished running tests, press ESC to exit the advanced tests.
12. Optional: to save the Support Ticket to a floppy disk, press F7 then ALT+C.
13. **Exit.** Press F3 and then any key to exit and reboot.
14. **Optional: open the Support Ticket.** In Windows, click Start, Programs (or All Programs), Hewlett-Packard, Notebook, HP e-Diagtools, e-Diagtools for Windows, or click Start, Programs (or All Programs), HP e-Diagtools, e-Diagtools for Windows, depending on your model.
15. Click View to display the Support Ticket.
16. To add information about your problem, click Comments and type the information, then click OK.

To save or print the Support Ticket, click Save As or Print.

To e-mail the Support Ticket to your support agent, click e-Mail. The first time you make an e-mail connection from this program, click Change Settings in the Connect window and enter the settings recommended by your support agent.

e-Diagtools for Windows can also update the version of e-Diagtools on your computer's hard disk. In e-Diagtools for Windows, use the e-Diagtools menu.

If you have trouble running e-Diagtools diagnostics from the hard disk, you can also run it from the *Recovery CD*. Boot from the CD and select the diagnostics option.

Configuring the Computer

To run the BIOS Setup utility

The BIOS (Basic Input and Output System) Setup utility enables you to make changes to the computer's system configuration, and to tailor the operation of your computer to your individual work needs.

The settings made in BIOS Setup generally control the computer's hardware, and so greatly affect how the computer operates.

1. Click Start, Shut Down (or Turn Off Computer), Restart.
2. When the HP logo appears, press F2 to enter BIOS Setup.
3. The pointing devices are not active in BIOS Setup, so you will need to use the keyboard to navigate:
 - Press the LEFT and RIGHT arrow keys to move among menus.
 - Press the UP and DOWN arrow keys to move among parameters in a menu.
 - Press F5 or F6 to move through values for the current parameter, or press ENTER to change a setting.
4. After you select the options you want, press F10 or use the Exit menu to exit BIOS Setup.
5. If the settings cause a conflict between devices during reboot, the system prompts you to run BIOS Setup, and marks the conflicting settings.

For a complete list of BIOS Setup menus, settings, and options, see the online *Reference Guide*.

Reinstalling and Updating Software

You can use the *Recovery CD* to recover the original software build for your computer.

The *Recovery CD* also provides Windows drivers specific to your computer to configure a custom system. You can find drivers in these locations:

- On your computer's hard drive under C:\hp\Drivers.
- On the *Recovery CD* under \hp\Drivers.
- On the HP Business Support Web site (www.hp.com/go/bizsupport). This Web site contains the latest updates of software drivers for different operating systems.

To recover the factory installation of your hard disk

You can use the *Recovery CD* to reinstall the original factory software on your computer's hard disk. You can also use the same process to create a larger Utility partition on your hard disk, or to create a Utility partition on a new hard disk. The hidden Utility partition contains the e-Diagtools diagnostic tests and stores hibernation data for Windows 98 and other operating systems that don't provide hibernation.

CAUTION

This procedure formats the computer's hard disk drive and erases all data on the disk. After the hard disk is formatted, you'll need to reinstall your applications.

Do not interrupt the following process or unplug the AC adapter until the process is complete.

1. **Important.** Back up all data from your hard disk. The following steps delete all data from the disk.
2. Plug in the AC adapter.
3. Insert the *Recovery CD* in the CD-ROM drive. To open the drive when the computer is turned off, insert a straightened paper clip into the hole on the front of the drive.
4. Turn on or restart the computer. If the computer is running, click Start, Shut Down (or Turn Off Computer), Restart.
5. When you see the HP logo, press ESC.
6. Select the CD or DVD drive as the boot device.

Troubleshooting and Maintenance

Reinstalling and Updating Software

7. When the *Recovery CD* dialog box appears, follow the displayed instructions. To perform a standard recovery, press 2, 1, 1. If prompted, accept the recommended partition size. If you install the factory software, the recovery process can take up to 15 minutes.

If you want to create the Utility partition without installing the factory software, click *Advanced* and select the option to not install the operating system.

8. When prompted to reboot the computer, press CTRL+ALT+DEL and follow any instructions that appear onscreen.

HP Support and Service

Getting Assistance for Your Computer

To get help from the web

HP has several web sites on the Internet dedicated to providing information to HP notebook computer users. The following sites are especially useful for helping you get support for your computer:

- **HP Business Support web site.** Get e-mail and telephone support information, technical information, and software updates.
www.hp.com/go/bizsupport
 - **HP Notebook Computer web site.** Get the latest information about technical support, plus information about warranty and support programs.
www.hp.com/notebooks
-

To contact HP for support or service

HP Customer Care Centers will assist you free of charge during the term of the warranty (you are responsible for the telephone charges).

During the free assistance period, HP will assist with questions about:

- Included applications and operating systems.
- HP-described operation environments and conditions.
- HP accessories, HP upgrades, and basic operation and troubleshooting.

HP will not be able to help with questions about:

- Non-HP hardware, software, operating systems, or usage not intended for or included (by HP) with the product.
 - How to repair the product yourself.
 - Product development, custom installations.
 - Consulting.
-

To contact the HP Customer Care Center by e-mail, visit the HP Business Support web site (www.hp.com/go/bizsupport) under “Contact HP”.

To call the Customer Care Center, check the HP Business Support web site (www.hp.com/go/bizsupport) under “Contact HP” for the most complete and current list of phone numbers. If your HP notebook product is not normally sold by HP in the country of use, you must call a Customer Care Center that supports your notebook model. Currently, service and support assistance is provided only in the following countries:

Pavilion models

United States only: (208) 323-2551.

Omnibook models

See the following table.

HP Support and Service
Getting Assistance for Your Computer

<p>North America United States: Omnibook: (970) 635-1000 Pavilion: (208) 323-2551 Canada: (905) 206-4663</p> <p>Latin America Argentina: Buenos Aires: 5411-4778-8380 outside B.A.: 0810-555-5520 Brazil: São Paulo: (11) 7297-4998 outside São Paulo: 0800-157751 Chile: 800-360999 Colombia: 9-800-114-726 Mexico: Mexico City: 52-58-9922 outside Mexico City: 01-800-472-6684 Peru: 0-800-10111 Puerto Rico: 1-877-2320-589 Venezuela: 0 800 4746 8368</p> <p>Europe Austria: 43 (0) 810 00 6080 Belgium: Dutch: +32 (0)2-626-8806 French: +32 (0)2-626-8807 Czech Republic: +42 (0)2-6130-7310 Denmark: +45 39-29-4099 English International: +44 (0)207-512-5202 Finland: +358 (0)203-47-288 France: +33 (0)1-43-62-34-34 Germany: 49 (0)180-52-58-143 Greece: +30 1 60 73 603 Hungary: +36 (0)1-382-1111 Ireland: +353 (0)1-662-5525 Italy: +39 02-264-10350 Netherlands: +31 (0)20-606-8751 Norway: +47-22-11-62 99 Poland: +48 22 865 98 00</p>	<p>Portugal: +351-21-317-6333 Romania: +40 1 315 44 42 Russia Federation: Moscow: +7-095-797-3520 St. Petersburg: +7-812-346-7997 Spain: +34-902-321-123 Sweden: +46 (0)8-619-2170 Switzerland: +41 (0)848-80-11-11 Turkey: +90 (216) 579 71 71 UK: +44 (0)207-512-52-02 Ukraine: +7 (380-44) 490-3520</p> <p>Asia/Australia Australia: 61-3-8877-8000 China, Mainland: 800-810-5959 Hong Kong: 852-300 28 555 India: 1-600 112267 Indonesia: 62-21-350-3408 Japan: Navi Dial: 0570-000-510 other: 81-3-5344-7181 Korea: Seoul: 82-2-3270-0700 outside Seoul: 080 999-0700 Malaysia: 1 800 805 405 New Zealand: 64-9-356-6640 Philippines: 63-2-867-3551 Singapore: 65-272-5300 Taiwan: 0800-010055 Thailand: 66-2-353-9000 Vietnam: 84-(0)-8-823-4530</p> <p>Africa/Middle East Algeria, Morocco: +212 22404747 Egypt: 02 532 5222 Israel: +972 (0)9 952 4848 South Africa: inside RSA: 086 000 1030 outside RSA: +27-11 258 9301 United Arab Emirates: 971 4 883 8454</p>
---	---

For best service, make sure you have as much of the following available when you call:

- Your computer's model and serial number.
- Your computer's operating system.
- Any messages displayed when the problem occurred.
- Were there any changes to the computer, software, related hardware, or accessories before this occurred? Can the problem be re-created?

To receive repair service

If the HP notebook product is not normally sold by HP in the country of use, it must be returned for service to a country in which it is sold and supported.

Note

HP Pavilion notebooks have regional support and service in selected countries. Currently, HP Pavilion notebook PCs are supported only in the country in which they are purchased and marketed. If you are outside the country of purchase, you must cover the cost of shipping your notebook to the appropriate HP authorized repair site.

If you are uncertain about the support available for your notebook, please contact HP Customer Care—see “To contact HP for support or service” on page 56.

If your computer is under warranty. To receive warranty repair service, contact an HP-authorized reseller, or contact the HP Customer Care Center—see “To contact HP for support or service” on page 56. The support technician will help qualify your unit for warranty repair based on the warranty applicable to your unit and original purchase date, and will provide you with repair processes. Warranty service may include the cost of shipping, handling, duties, taxes, freight, or fees to or from the service location.

If your computer is no longer under warranty. Contact an HP-authorized reseller or the HP Customer Care Center (see “To contact HP for support or service” on page 56). The support provider will let you know about repair charges and processes.

Note

You are financially responsible for any repairs to your notebook that are not covered by the HP warranty—see the warranty statement on the next page. This includes any repairs required if you damage your notebook—for example, by spilling liquid onto it, dropping it, or breaking the display.

In addition, most DVD drives let you change the region code only a limited number of times (usually no more than four) to allow you to set the proper region code for your area. Please note that when you reach this limit, your last change to the region code will be hard-coded on the DVD drive, and will be permanent. Your HP warranty does not cover the expense of correcting this situation.

To prepare your computer for shipment

See “To receive repair service” above to determine if your computer must be sent in for service. If so, prepare your computer for shipment as follows.

Note

If you have questions about packaging requirements when returning your notebook for repair, contact HP Service and Support—see “To contact HP for support or service” on page 56. If your notebook is not packaged properly, you will be responsible for any damages to it that occur during shipping.

1. **Important.** Back up your hard disk drive. The hard disk may need to be replaced or reformatted while your computer is being repaired.
2. Hewlett-Packard cannot guarantee the return of removable components. Please remove the following prior to sending your computer in for service:
 - PC cards.
 - AC adapter and power cord.
 - Any removable media, such as CDs, DVDs, or floppy disks.
 - Any hardware not involved in the problem and not requested for repair.
3. When sending your notebook to Hewlett-Packard, please use the original product packaging or other substantial packaging to avoid damage to the unit in transit. Make sure at least three inches of suitable packing material surround around the unit.

Your notebook will be returned to you in new packaging.

Note

If the hard disk drive is defective, you will receive a replacement drive that is either unformatted or loaded with software for verification. You should restore the computer’s original software using your *Recovery CD* (see “To recover the factory installation of your hard disk” on page 53) or other recovery method.

Hewlett-Packard Limited Warranty Statement

1. HP warrants to you, the end-user customer, that HP hardware, accessories and supplies will be free from defects in materials and workmanship after the date of purchase, for the period specified in the Warranty Duration table below. If HP receives notice of such defects during the warranty period, HP will, at its option, either repair or replace products which prove to be defective. Replacement products may be either new or equivalent in performance to new.
2. HP warrants to you that HP software will not fail to execute its programming instructions after the date of purchase, for the period specified in the Warranty Duration table below, due to defects in material and workmanship when properly installed and used. If HP receives notice of such defects during the warranty period, HP will replace software which does not execute its programming instructions due to such defects.
3. HP does not warrant that the operation of HP products will be uninterrupted or error free. If HP is unable, within a reasonable time, to repair or replace any product to a condition as warranted, you will be entitled to a refund of the purchase price upon prompt return of the product.
4. HP's limited warranty is valid in any country or locality where HP has a support presence for this product and where HP has marketed this product. The level of warranty service you receive may vary according to local standards. HP will not alter form, fit or function of the product to make it operate in a country for which it was never intended to function for legal or regulatory reasons.
5. Warranty does not apply to defects resulting from (a) improper or inadequate maintenance or calibration, (b) software, interfacing, parts or supplies not supplied by HP, (c) unauthorized modification or misuse, (d) operation outside of the published environmental specifications for the product, or (e) improper site preparation or maintenance.
6. TO THE EXTENT ALLOWED BY LOCAL LAW, THE ABOVE WARRANTIES ARE EXCLUSIVE AND NO OTHER WARRANTY OR CONDITION, WHETHER WRITTEN OR ORAL, IS EXPRESSED OR IMPLIED AND HP SPECIFICALLY DISCLAIMS ANY IMPLIED WARRANTIES OR CONDITIONS OF MERCHANTABILITY, SATISFACTORY QUALITY, AND FITNESS FOR A PARTICULAR PURPOSE. Some countries, states or provinces do not allow limitations on the duration of an implied warranty, so the above limitation or exclusion might not apply to you. This warranty gives you specific legal rights and you might also have other rights that vary from country to country, state to state, or province to province.

HP Support and Service
Hewlett-Packard Limited Warranty Statement

7. TO THE EXTENT ALLOWED BY LOCAL LAW, THE REMEDIES IN THIS WARRANTY STATEMENT ARE YOUR SOLE AND EXCLUSIVE REMEDIES. EXCEPT AS INDICATED ABOVE, IN NO EVENT WILL HP OR ITS SUPPLIERS BE LIABLE FOR LOSS OF DATA OR FOR DIRECT, SPECIAL, INCIDENTAL, CONSEQUENTIAL (INCLUDING LOST PROFIT OR DATA), OR OTHER DAMAGE, WHETHER BASED IN CONTRACT, TORT, OR OTHERWISE. Some countries, states or provinces do not allow the exclusion or limitation of incidental or consequential damages, so the above limitation or exclusion may not apply to you.

THE WARRANTY TERMS CONTAINED IN THIS STATEMENT, EXCEPT TO THE EXTENT LAWFULLY PERMITTED, DO NOT EXCLUDE, RESTRICT OR MODIFY AND ARE IN ADDITION TO THE MANDATORY STATUTORY RIGHTS APPLICABLE TO THE SALE OF THIS PRODUCT TO YOU.

Product	Duration of Limited Warranty
HP Notebook with "1YR", "3YR", or similar mark on serial-number label	1 year, 3 years, or number of years marked.
HP Notebook with "90D" or similar mark on serial-number label	90 days or number of days marked.
HP Notebook accessories and batteries	1 year
Non-HP accessories	Not warranted by HP. Refer to manufacturer's warranty.
HP Software, Microsoft Software	90 days

Reference Information

Reference Information
Hardware Specifications

Hardware Specifications

Technology Codes

Each HP notebook computer has a two-letter technology code. The technology code is shown on the serial-number label on the bottom of the computer, and it is also included in the BIOS version number.

Because we are constantly improving our products, the specifications shown below are subject to change. For the latest specifications, see the HP Notebook Web site (www.hp.com/notebooks).

Physical Attributes	<p>Size (14-inch display): 315 × 261 × 32 mm (12.4 × 10.3 × 1.3 in). Size (15-inch display): 325 × 261 × 34 mm (12.8 × 10.3 × 1.4 in). Weight: 2.2–2.8 kg (4.9–6.2 lb), depending on configuration. Magnesium display cover on certain models.</p>
Processor and Bus Architecture	<p>933- to 1133-MHz Intel Mobile Pentium III-M processor with Intel Speed Step technology or 733- to 1133-MHz Celeron processor. Integrated 32-KB L1 cache and 512-KB (Pentium models), 256-KB (Celeron models 1000 MHz and above), or 128-KB (Celeron models below 1000 MHz) L2 cache. 1.4-V core low-power processor with 133-MHz processor system bus.</p>
Graphics	<p>14.1-inch XGA (1024 × 768) or 15.0-inch SXGA+ (1400 × 1050) active-matrix (TFT) LCD display. Hardware 3D acceleration, hardware DVD acceleration. Dual display capability (depends on operating system support). Models with Technology Code EB: External monitors up to 1600 × 1200 resolution, 16M colors, and at least 75 Hz refresh rate (only 60 Hz at 1400 × 1050). ATI Mobility Radeon graphics accelerator with 16-MB (Pentium models) or 8-MB (Celeron models) DDR graphics memory, 4x AGP graphics capability. Zoomed Video support for lower PC Card slot. Models with Technology Code EF: External monitors up to 1600 × 1200 resolution with 16M colors at 60 Hz refresh rate or 64K colors at 85 Hz refresh rate. Up to 32-MB dynamically allocated video RAM shared with system RAM.</p>
Power	<p>Rechargeable lithium-ion battery with LED charge-level gauge (11.1 or 14.8 Vdc). Battery life (one battery): up to 3-4 hours typical (varies with model, usage, and power settings). Fast battery recharge: 80% in 1.5 hour, 100% in 2 hours. Low-battery warning. Suspend/resume capability. Universal AC adapter: 100–240 Vac (50/60 Hz) input, 19 Vdc output, 60 W minimum. Optional secondary battery available for module bay for certain models.</p>

Mass Storage	10- to 30-GB removable hard drive with Ultra-DMA 100 interface. 1.44-MB floppy drive module (for certain models). 24x CD-ROM, 6x or 8x DVD, or other drive module (or higher). Optional drive modules available.
RAM	Two slots for PC-133 SDRAM modules. Up to 1024 MB RAM maximum. At least 128 MB RAM preinstalled.
Audio System	16-bit Sound Blaster Pro-compatible stereo sound. Stereo sound via two built-in speakers (500 Hz to 10 kHz range). 3D-enhanced audio. Zoomed Video support for models with Technology Code EB. Built-in microphone. Separate audio-off button with indicator light. Headphone-out, microphone-in, plus audio line-in for certain models.
Keyboard and Pointing Devices	87/88-key touch-type QWERTY keyboard with 101/102 key emulation. Embedded numeric keypad. Left and right click buttons, center scroll button. 12 function (Fn) keys. 4 user-programmable One-Touch buttons. Models with Technology Code EB: Two pointing devices: pointing stick and touch pad. Models with Technology Code EF: Touch pad. Touch pad on-off button with indicator light.
LAN	Ethernet 10Base-T (10 Mbps) and 100Base-TX (100 Mbps) support. Supports wake-on-LAN (Windows 2000 and XP), fast IP, DMI, dRMON. MBA (Managed Boot Agent) support for PXE/BINL, BOOTP, NCP/IPX, DHCP.
Modem (certain models)	Hardware-based controllerless modem (3Com/US Robotics or Ambit/Lucent) or software-based modem (Ambit/ESS), mini-PCI interface. Data speed: 56 Kbps (V.90, V.92) maximum. Fax speed: 14.4 Kbps, Class 1 and 2. Modulation: V.21, V.22, V.22bis, V.23, V.32, V.32bis, V.34, V.90, V.92 (models with Technology Code EF), X2, Bell 103, Bell 212A. Synchronous transfer: V.80. Compression: V.42bis, MNP5. Error correction: V.42, MNP2-4. Fax: Group 3 fax, Class 1. V.17, V.27ter, V.29, V.21.

Reference Information
Hardware Specifications

Wireless LAN (certain models)	Radio: IEEE 802.11b, WECA Wi-Fi compliant, direct-sequence spread-spectrum. Operating frequency: 2.5-GHz ISM band, exact frequencies and channels depend on country. Raw data rate: 1, 2, 5.5, or 11 Mbps. Transmitter output: 15 dBm typical (approx. 30 mW), 16 dBm max (approx. 40 mW). Receiver sensitivity: -84 dBm typical. Range: up to 100 m (300 ft) or more, depending on environment and conditions. On-off button and indicator. Mini-PCI interface.
Input/Output	Universal serial bus (USB), two ports. 9-pin, 115,200-bps serial. 25-pin bi-directional ECP/EPP parallel. 15-pin VGA video-out with DDC support. S-video (TV out) on certain models. PS/2 keyboard/mouse. 4-Mbps IrDA-compliant infrared port.
Expandability	One Type III or one or two Type II 16-/32-bit PC Card slots. CardBus enabled. Plug-in module bay for accessory modules. Optional port replicator, mini dock, and docking system.
Security Features	User and administrator passwords. System, hard drive, and docking passwords. PC identification displayed at boot. DMI-accessible electronic serial number. Kensington MicroSaver lock slot.
Environmental Limits	Operating temperature: 5 to 35 °C (41 to 95 °F). Operating humidity: 20 to 90 percent RH (5 to 35 °C). Operating altitude: up to 3000 m (10,000 ft) at 25 °C (77 °F). Storage temperature: -20 to 50 °C (-4 to 122 °F).

Major ICs	<p>Models with Technology Code EB: CPU: Intel Mobile Pentium III-M or Celeron processor. Core logic: Intel 830M/ICH3M chipset. Display controller: ATI Mobility Radeon M6-P. Audio controller: ESS ES1988. CardBus controller: TI PC1420. Keyboard/embedded controller: National PC87570. Super I/O: National PC87393F. LAN: integrated in core logic. Modem: 3Com/US Robotics or Ambit/Lucent controllerless or Ambit softmodem. 802.11b wireless LAN: Actiontec with Intersil Prism 2.5 chipset.</p> <p>Models with Technology Code EF: CPU: Intel Mobile Pentium III-M or Celeron processor. Core logic: Intel 830MG/ICH3M chipset. Display controller: integrated in Intel 830MG. Audio controller: Realtek. CardBus controller: TI PC1410. Keyboard/embedded controller: National PC87570. Super I/O: National PC87393F. LAN: Realtek RTL8100B. Modem: 3Com/US Robotics or Ambit/Lucent controllerless or Ambit softmodem. 802.11b wireless LAN: Actiontec with Intersil Prism 2.5 chipset.</p>
------------------	--

Safety Information

Power Cords

The power cord supplied with the computer's AC adapter should match the plug and voltage requirements for your local area. Regulatory approval for the AC adapter has been obtained using the power cord for the local area. However, if you travel to a different area or need to connect to a different outlet or voltage, you should use one of the power cords listed below. To purchase a power cord (including one for a country not listed below) or a replacement AC adapter, contact your local Hewlett-Packard dealer or Sales and Service office. For any power cord with a fused plug, if you have to replace the fuse, be sure to install an approved fuse.

Country	Rated Voltage and Current	HP Part Number
Canada Mexico Philippines Taiwan United States	125 Vac (3 A)	8120-6313
East and West Europe Egypt Saudi Arabia	250 Vac (2.5 A)	8120-6314
Hong Kong Singapore United Kingdom	250 Vac (2.5 A)	8120-8699
Australia New Zealand	250 Vac (2.5 A)	8120-6312
Japan	125 Vac (3 A)	8120-6316
India	250 Vac (2.5 A)	8121-0702
South Africa	250 Vac (2.5 A)	8120-6317
Argentina	250 Vac (2.5 A)	8120-8367
Chile	250 Vac (2.5 A)	8120-8452
People's Republic of China	250 Vac (2.5 A)	8120-8373

Ergonomics

WARNING

Improper use of keyboards and other input devices has been associated with ergonomic injury. For information about reducing your risk, see *Working in Comfort* in the online HP Library or visit our ergonomics Web site, www.hp.com/ergo.

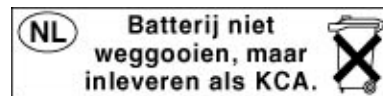
Battery Safety

Note

The following batteries are compatible only with HP notebook computers:

- HP F2014 and F2019
- Sanyo 3UR18650P-2-QC-RT and 3UR18650F-2-QC-RT2
- Panasonic CGR-B/634AE and CGR-B/650AE

- To avoid risk of fire, burns, or damage to your battery pack, do not allow a metal object to touch the battery contacts.
- Do not disassemble the battery. There are no serviceable parts inside. Do not dispose of the battery pack in fire or water.
- Handle a damaged or leaking battery with extreme care. If you come in contact with the electrolyte, wash the exposed area with soap and water. If it contacts the eye, flush the eye with water for 15 minutes and seek medical attention.
- Do not expose the battery pack to storage temperatures above 60 °C (140 °F).
- When the battery is not in use, store it in the battery pouch provided.
- When discarding a battery pack, contact your local waste disposal provider regarding local restrictions on the disposal or recycling of batteries.
- To obtain a replacement battery, contact your local dealer or HP sales office.
- Do not charge the battery pack if the ambient temperature exceeds 45 °C (113 °F).
- Replace only with the same or equivalent type battery pack recommended by the manufacturer.



Laser Safety

The CD-ROM and DVD drives used with the computer are certified as a Class 1 laser devices according to the U.S. Department of Health and Human Services (DHHS) Radiation Performance Standard and International Standards IEC 825 / IEC 825-1 (EN60825 / EN60825-1). These devices are not considered harmful, but the following precautions are recommended:

- Ensure proper use by reading and following the instructions carefully.
- If the unit requires service, contact an authorized HP service center—see “To contact HP for support or service” on page 56.
- Do not attempt to make any adjustment of the unit.
- Avoid direct exposure to the laser beam—do not open the unit.

CLASS 1 LASER PRODUCT LASER KLASSE 1

LED Safety

The infrared port located on the right side of the computer is classified as a Class 1 LED (light-emitting diode) device according to International Standard IEC 825-1 (EN60825-1). This device is not considered harmful, but the following precautions are recommended:

- If the unit requires service, contact an authorized HP service center—see “To contact HP for support or service” on page 56.
- Do not attempt to make any adjustment of the unit.
- Avoid direct eye exposure to the infrared LED beam. Be aware that the beam is invisible light and cannot be seen.
- Do not attempt to view the infrared LED beam with any type of optical device.

CLASS 1 LED PRODUCT LEDSCHÜTZKLASSE 1 PRODUKT
--

Exposure to Radio Frequency Radiation

The radiated output power of the IEEE 802.11 internal wireless radio is far below the FCC radio frequency exposure limits. Nevertheless, the wireless radio shall be used in such a manner that the potential for human contact during normal operation is minimized.

The internal wireless radio operates within guidelines found in radio frequency safety standards and recommendations, which reflect the consensus of the scientific community. HP therefore believes the internal wireless radio is safe for use by consumers. The level of energy emitted is far less than the electromagnetic energy emitted by wireless devices such as mobile phones. However, the use of wireless radios may be restricted in some situations or environments, such as aboard airplanes. If you are unsure of restrictions, you are encouraged to ask for authorization before turning on the wireless radio.

Regulatory Information

This section presents information that shows how your computer complies with regulations in certain regions. Any modifications to your computer not expressly approved by Hewlett-Packard could void the authority to operate the computer in these regions.

U.S.A.

This computer has been tested and found to comply with the limits for a Class B digital device, pursuant to Part 15 of the FCC Rules. These limits are designed to provide reasonable protection against harmful interference in a residential installation.

This computer generates, uses, and can radiate radio frequency energy. If not installed and used in accordance with the instructions, it may cause harmful interference to radio communications. However, there is no guarantee that interference will not occur in a particular installation. If this computer does cause harmful interference to radio or television reception (which can be determined by removing the unit's batteries and AC adapter), try the following:

- Reorienting or relocating the receiving antenna.
- Relocating the computer with respect to the receiver.
- Connecting the computer's AC adapter to another power outlet.

Connections to Peripheral Devices

To maintain compliance with FCC Rules and Regulations, use properly shielded cables with this device.

For more information, consult your dealer, an experienced radio/television technician, or the following booklet, prepared by the Federal Communications Commission: *How to Identify and Resolve Radio-TV Interference Problems*. This booklet is available from the U.S. Government Printing Office, Washington, DC 20402, Stock Number 004-000-00345-4. At the first printing of this manual, the telephone number was (202) 512-1800.

Declaration of Conformity (U.S.A.)

Responsible Party: Hewlett-Packard Company
Manager of Corporate Product Regulations
3000 Hanover Street
Palo Alto, CA 94304
+1 (650) 857-1501

declares that the product(s)

Trade name: Hewlett-Packard Company

Product name: HP Omnibook 6000 series and Pavilion series

Complies with Part 15 of the FCC Rules. Operation is subject to the following two conditions:

1. This device may not cause harmful interference, and
2. This device must accept any interference received, including interference that may cause undesired operation.

Canada

This digital apparatus does not exceed the Class B limits for radio noise emissions from digital apparatus as set out in the radio interference regulations of the Canadian Department of Communications. The internal wireless radio complies with RSS 210 of Industry Canada.

Le présent appareil numérique n'émet pas de bruits radioélectriques dépassant les limites applicables aux appareils numériques de Classe B prescrites dans le règlement sur le brouillage radioélectrique édicté par le Ministère des Communications du Canada. Le composant RF interne est conforme à la norme CNR-210 d'Industrie Canada. L'utilisation de ce dispositif est autorisée seulement aux conditions suivantes : (1) il ne doit pas produire de brouillage et (2) l'utilisateur du dispositif doit être prêt à accepter tout brouillage radioélectrique reçu, même si ce brouillage est susceptible de compromettre le fonctionnement du dispositif.

European Union

The equipment has been approved in accordance with Council Decision 98/482/EC for pan-European single terminal connection to the public switched telephone network (PSTN) and to a radio-frequency wireless network. However, due to differences between the individual PSTN's provided in different countries, the approval does not, of itself, give an unconditional assurance of successful operation on every PSTN network termination point.

In event of problems, you should contact your equipment supplier in the first instance.

This equipment has been designed to work in all of the countries of the European Economic Area (Public Switched Telephone Networks). Network compatibility is dependent on internal software settings. Contact your equipment supplier if it is necessary to use the equipment on a different telephone network. For further product support, contact Hewlett-Packard—see “To contact HP for support or service” on page 56.

Belgium: For outdoor usage only channels 10 (2457 MHz) and 11 (2462 MHz) is allowed. For private usage outside buildings across public grounds over less than 300m, no special registration with IBPT/BIPT is required. Registration to IBPT/BIPT is required for private usage outside buildings across public grounds over more than 300m. An IBPT/BIPT license is required for public usage outside building. For registration and license please contact IBPT/BIPT.

France: Restricted frequency band: only channels 10 and 11 (2457 MHz and 2462 MHz respectively) may be used in France. License required for every installation, indoor and outdoor installations. Please contact ART for the procedure to follow. Use with outdoor installations not allowed.

Germany: License required for outdoor installations. Check with reseller for procedure to follow

Netherlands: License required for outdoor installations. Check with reseller for procedure to follow.

Italy: License required for indoor use. Use with outdoor installations not allowed.

Japan

この装置は、情報処理装置等電波障害自主規制協議会（VCCI）の基準に基づくクラスB情報技術装置です。この装置は、家庭環境で使用することを目的としていますが、この装置がラジオやテレビジョン受信機に近接して使用されると受信障害を引き起こすことがあります。

取り扱い説明書に従って正しい取り扱いをして下さい。

Japan Telecommunications Approval

JATE approval number: A01-1013JP, A01-1038JP, A99-0976JP

Name of Equipment: T51M044.00, J07M040.04, 3CN3BN1556B

機器に内蔵の無線LANをお使いのお客様へ。

この機器の使用周波数帯では、電子レンジ等の産業・科学・医療用機器のほか工場の製造ライン等で使用されている移動体識別用の構内無線局（免許を要する無線局）及び特定小電力無線局（免許を要しない無線局）が運用されています。

- 1 この機器を使用する前に、近くで移動体識別用の構内無線局及び特定小電力無線局が運用されていないことを確認して下さい。
- 2 万一、この機器から移動体識別用の構内無線局に対して電波干渉の事例が発生した場合には、速やかに使用周波数を変更するか又は電波の発射を停止した上、下記連絡先にご連絡頂き、混信回避のための処置等（例えば、パーティションの設置など）についてご相談して下さい。
- 3 その他、この機器から移動体識別用の特定小電力無線局に対して電波干渉の事例が発生した場合など何かお困りのことが起きたときは、次の連絡先へお問い合わせ下さい。

連絡先：03-5344-7181

TELEC approval number: 01NYDA1044

Name of Equipment: 802MIP(W)

2.4DS1



Reference Information
Regulatory Information

Russia

Продукт сертифицирован в системе ГОСТ Р
Модем сертифицирован в системе ЭЛЕКТРОСВ



International

Products sold internationally by Hewlett-Packard and its authorized dealers meet the specifications listed on the following page.

Declaration of Conformity (according to ISO/IEC Guide 22 and EN 45014)

Manufacturer's Name: Hewlett-Packard Company, Mobile Computing Division
Manufacturer's Address: 19310 Pruneridge Ave., Cupertino, CA 95014, U.S.A.

declares that the following product

Product Name: HP notebook PC
Model Numbers: HP Omnibook 6000 series and Pavilion series
Product Options: All, including options for analog modem (Ambit/USR) and radio link

conforms to the following product specifications

Safety: IEC 60950: 1991 +A1,A2,A3,A4 / EN 60950: 1992 +A1,A2,A3,A4,A11
IEC 60825-1: 1993 +A1 / EN 60825-1: 1994 +A11 Class 1 LED
GB4943-1995

EMC: CISPR 22: 1997 / EN 55022: 1998, Class B [1]
CISPR 24: 1997 / EN 55024: 1998
IEC 61000-3-2: 1995 / EN 61000-3-2:1995 +A1: 1998 +A2: 1998
IEC 61000-3-3: 1994 / EN 61000-3-3:1995
GB9254-1998
FCC Title 47 CFR, Part 15 Class B/ANSI C63.4: 1992
AS/NZS 3548: 1995 Rules and Regulations of Class B

Telecom: TBR 21: 1998, EG 201 121: 1998

Radio: ETS 300-826 General EMC requirements for Radio equipment
Equipment Class 2 ETS 300-328 Technical requirements for Radio equipment
Notified Body Number: 0682
Notified Body Address: CETECOM ICT Services GmbH, Untertuerkheimer Str. 6-10, D-66117 Saarbruecken

Supplementary Information: The product herewith complies with the requirements of the R&TTE Directive 1999/5/EC and carries the CE marking accordingly.

[1] The product was tested in a typical configuration with Hewlett-Packard Personal Computer peripherals.

This device complies with Part 15 of the FCC Rules. Operation is subject to the following two conditions:
(1) this device may not cause harmful interference, and (2) this device must accept any interference received, including interference that may cause undesired operation.

The HP F1454A and F1781A ac/dc adapter used with this product is designed to operate on all power systems, other than IT power systems.

Corvallis, OR, May 11, 2001




Jerry Erickson, R&D Product Execution Manager

European Contact for regulatory topics only: Hewlett Packard GmbH, HQ-TRE, Herrenberger Strasse 130, 71034 Boeblingen, Germany. Fax: +49 7031 143143.
USA Contact: Hewlett Packard Co., Corporate Product Regulations Manager, 3000 Hanover Street, Palo Alto, CA 94304, U.S.A. Phone: +1 (650) 857-1501.

Index

- A
 - AC adapter
 - connecting, 19
 - accessories
 - plug-in modules, 39
 - adding RAM, 41
 - adjusting
 - brightness, 30
 - antistatic precautions, 41
 - AT commands, *See Reference Guide*
 - audio
 - connecting devices, *See Reference Guide*
 - audio jacks, 12
 - audio-off
 - location, 12
- B
 - battery
 - checking status, 34
 - installing, 18
 - location, 14
 - low power warning, 35
 - release latch, 12
 - safety, 69
 - saving power, *See Reference Guide*
 - status lights, 34
 - troubleshooting, 48
 - BayManager hot-swap
 - installing, 38
 - BIOS Setup utility
 - menus, *See Reference Guide*
 - using, 52
 - boot device order, 28
 - brightness
 - adjusting, 30
- C
 - Caps Lock, 12, 16
 - CD-ROM drive
 - installing, 39
 - clicking items, 29
 - COM1 port, 13
 - computer
 - caring for, *See Reference Guide*
 - changing BIOS settings, 52
 - reinstalling Windows, 53
 - resetting, 27
 - testing, 50
 - turning on, 21
 - configuring
 - BIOS settings, 52
 - pointing stick, 29
 - touch pad, 29
 - connecting
 - external devices, *See Reference Guide*
 - LAN, *See Reference Guide*
 - modem, *See Reference Guide*
 - PC Cards, *See Reference Guide*
 - plug-in modules, 39
 - to Internet, *See Reference Guide*
 - Corporate Evaluator's Guide, 11
 - cursor (pointer), 29
 - Customer Care
 - getting support, 56
 - Web site, 11
- D
 - devices, *See Reference Guide*
 - temporary boot order, 28
 - diagnostics, 50
 - display
 - brightness, 30
 - connecting external, *See Reference Guide*
 - port, 13
 - troubleshooting, 46
 - docking, *See Reference Guide*
 - docking port, 13
 - dragging items, 29
 - drives
 - creating Hibernate partition, 54
 - plug-in modules, 39
 - replacing hard disk, 43
 - DVD drive
 - installing, 39
- E
 - e-Diagtools for Windows, 50, 51
 - e-mail
 - HP Customer Care, 57
 - ergonomics, 17
 - external devices
 - installing, *See Reference Guide*
 - external monitor, *See Reference Guide*
 - external mouse
 - configuring, 29
- F
 - F10 (diagnostics), 50
 - files
 - recovering, 53
 - floppy drive
 - connecting, 39. *See Reference Guide*
 - Fn key
 - + F1 (decrease brightness), 30
 - + F12 (hibernate), 30
 - + F2 (increase brightness), 30
 - + F5 (display), 30
 - + F7 (mute), 30
 - + NumLock (scroll lock), 30
- H
 - hard disk drive
 - creating Hibernate partition, 54
 - Hibernate partition, 43
 - location, 14
 - replacing, 43
 - troubleshooting, 47
 - hardware specifications, 64
 - Hewlett-Packard support, 56
 - hibernate
 - creating partition, 54
 - mode, 26
 - Hibernate mode
 - definition, 26
 - status lights, 15, 16
 - Hibernate partition, 43
 - hot keys, 30
 - hot swapping
 - installing software, 38
 - swapping modules, 39
 - HP Business Support
 - Web site, 11
 - HP Customer Care
 - contact by e-mail, 57
 - getting support, 56
 - HP Instant Support, 46
 - HP Library, 11
 - HP Notes, 11

- I
 - infrared port
 - connecting, *See Reference Guide*
 - location, 12
 - safety, 70
 - installing
 - hard disk drive, 43
 - hot-swap software, 38
 - plug-in modules, 39
 - RAM, 41
 - installing original software, 53
 - Internet
 - connecting to, *See Reference Guide*
 - inventory, 10
- K
 - keyboard
 - connecting external, *See Reference Guide*
 - ergonomic precautions, 17
 - opening, 41
 - status lights, 12, 16
 - troubleshooting, 47
 - Keypad Lock, 12, 16
- L
 - LAN
 - connecting to, *See Reference Guide*
 - laser safety, 70
 - Library (HP), 11
 - lights
 - status, 12, 15, 16
 - LPT1 port, 13
- M
 - memory
 - adding, 41
 - PC-133, 41
 - microphone
 - location, 12
 - Mini-PCI
 - location, 14
 - modem
 - built-in, 20
 - connecting, *See Reference Guide*
 - module bay
 - location, 14
 - modules (plug-in), *See plug-in modules*
 - monitor
 - port, 13
- mouse
 - connecting, *See Reference Guide*
 - troubleshooting, 47
- mute, 12
- N
 - Notebook
 - Web sites, 11
 - Num Lock, 12, 16
- O
 - off
 - button location, 12
 - status lights, 15, 16
 - turning off, 26
 - on
 - button location, 12
 - One-Touch buttons
 - location, 12
- P
 - parallel port
 - floppy connection, *See Reference Guide*
 - location, 13
 - partition (Utility), 53
 - PC Cards
 - installing, *See Reference Guide*
 - PC-133 RAM, 41
 - phone cord, connecting, 20
 - plug requirements, 68
 - plug-in modules
 - accessories, 39
 - installing, 39
 - swapping, 39
 - pointing devices
 - configuring, 29
 - location, 12
 - pointing stick
 - location, 12
 - troubleshooting, 47
 - using, 29
 - port locations, 13
 - power
 - connecting AC, 19
 - saving, *See Reference Guide*
 - troubleshooting, 48
 - power button
 - location, 12
 - resetting with, 27
 - power cords, 68
- R
 - RAM
 - adding, 41
 - location, 14
 - PC-133, 41
 - rebooting
 - temporary boot device, 28
 - recovering original software, 53
 - Recovery CD
 - diagnostics, 51
 - using, 53
 - registering computer, 22
 - regulatory information, 72
 - removing
 - hard disk drive, 43
 - repair service
 - obtaining, 59
 - shipment, 60
 - resetting, 27
- S
 - safety
 - battery use, 69
 - infrared port, 70
 - laser, 70
 - power cords, 68
 - Scroll Lock, 12, 16
 - security
 - Kensington lock, 12
 - selecting items, 29
 - serial port
 - location, 13
 - setting up, 17
 - sleep button
 - location, 12
 - using, 21
 - software
 - pre-installed, 10
 - specifications
 - hardware, 64
 - Standby mode
 - definition, 26
 - status lights, 15
 - timeout, 26
 - startup
 - troubleshooting, 49
 - static electricity, 41
 - status lights
 - battery charge, 34
 - keyboard, 12, 16
 - location, 12
 - meanings, 15, 16
 - Support Ticket, 51
 - S-video port
 - location, 12
 - swapping plug-in modules, 39

system-off switch
resetting, 27

T

technology code, 64
temperature
limits, 66
touch pad
configuring, 29
location, 12
troubleshooting, 47
using, 29
troubleshooting
battery, 48
display, 46
hard disk drive, 47

HP Instant Support, 46
keyboard, 47
pointing devices, 47
power, 48
startup, 49
turning on computer, 21

U

URLs, 11
USB
connecting, *See Reference Guide*
Utility partition
creating, 53
expanding, 53

V

voltage requirements, 68
volume control
location, 12

W

warranty
repair, 59
Web sites, 11
Windows
documentation, 11
reinstalling, 53
setting up, 21
wireless communication
indicator light, 13