
Your Guide to Setting Up the HP LaserJet III Si Printer



33491-90902
Edition 2
E0991

HP Computer Museum
www.hpmuseum.net

For research and education purposes only.

Notice

The information contained in this document is subject to change without notice.

HEWLETT-PACKARD MAKES NO WARRANTY OF ANY KIND WITH REGARD TO THIS MATERIAL, INCLUDING, BUT NOT LIMITED TO, THE IMPLIED WARRANTIES OF MERCHANTABILITY AND FITNESS FOR A PARTICULAR PURPOSE. Hewlett-Packard shall not be liable for errors contained herein or for incidental consequential damages in connection with the furnishings, performance, or use of this material.

This document contains proprietary information which is protected by copyright. All rights are reserved. No part of this document may be photocopied, reproduced, or translated without prior written consent of Hewlett-Packard Company.

Copyright ©1991 by Hewlett-Packard Company

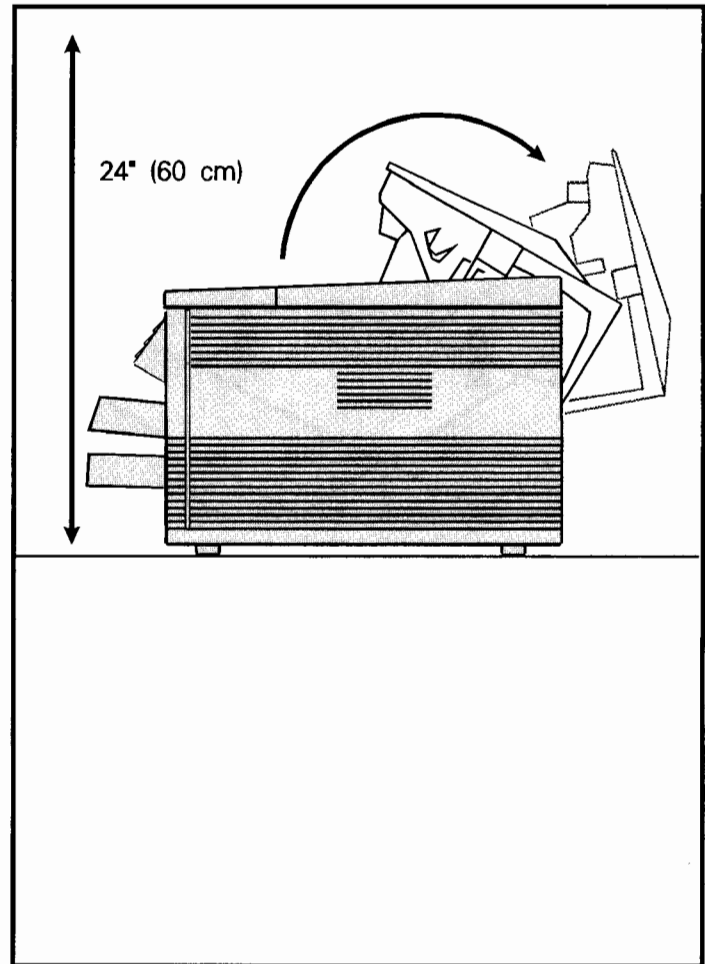
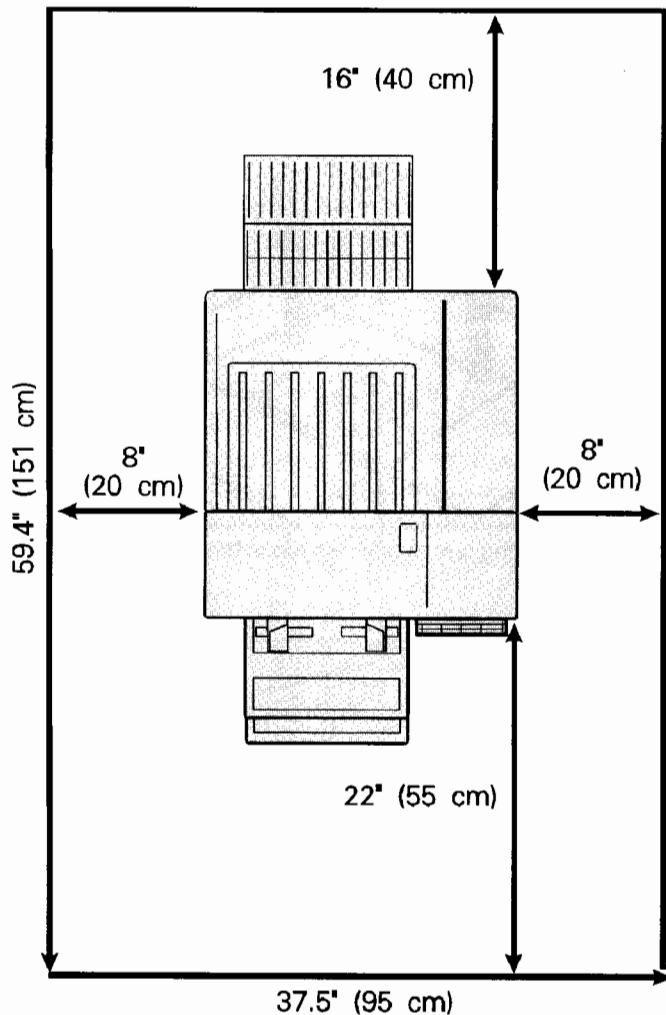
PostScript™ is a registered trademark of Adobe Systems Inc. in the U.S. and other countries.

Printing History

First Edition	February 1991	33491-90902
Second Edition	September 1991	33491-90902

Prepare a Location for the Printer

A



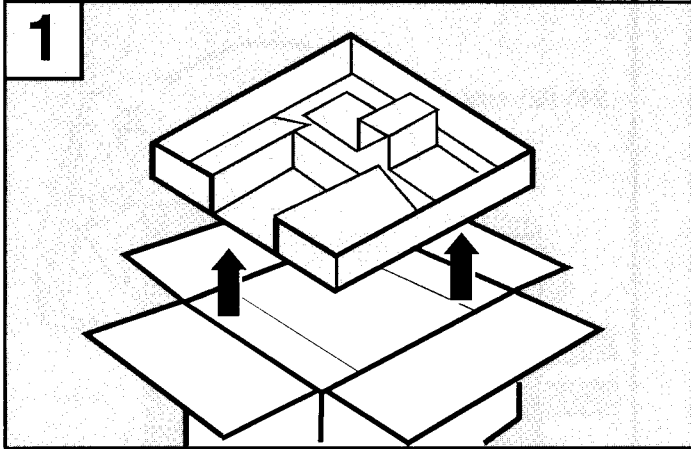
Your Location Requirements Are:

- A sturdy, level surface for placement.
- Space allowance around printer as shown above.
- A well-ventilated room.
- Room temperature 50° to 90.5° F (10° to 32.5° C).
- Relative humidity 20% to 80%.
- A stable environment – no abrupt temperature or humidity changes.
- No exposure to chemicals or direct sunlight.
- Line voltage not varying more than $\pm 10\%$ from the value stated on printer nameplate.

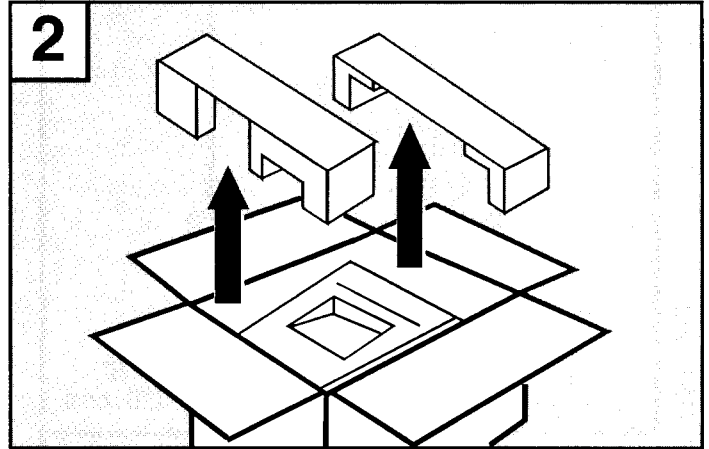
B

Remove the Printer from the Box

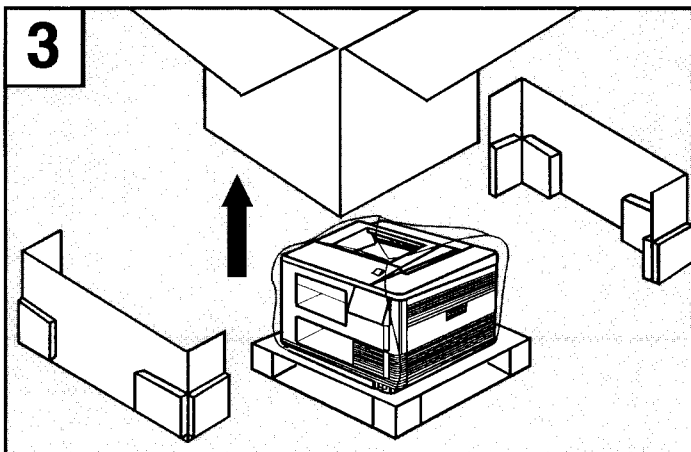
Save all packing material. You may need to repack and transport your printer at a later date.



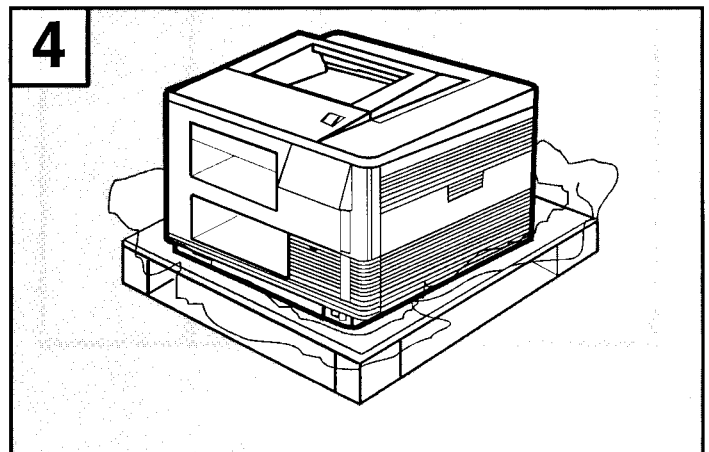
Remove all accessories from the cardboard tray and lift the tray from the box.



Remove the packing pieces from the top of the printer.

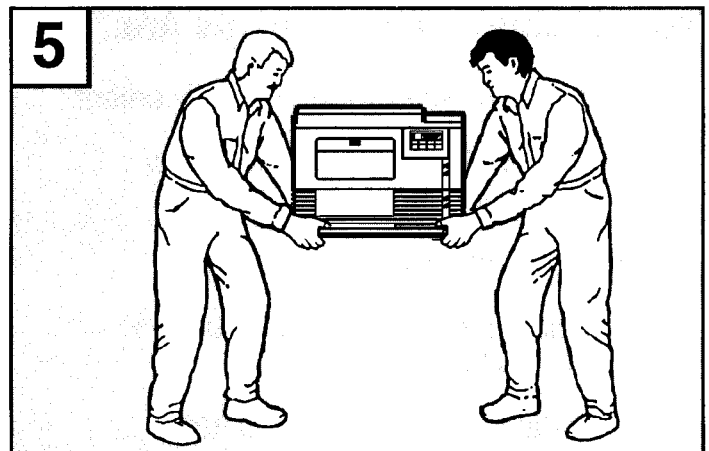


Lift the box away from the printer. Remove the side packing material.



Untape the plastic bag and fold it down to the pallet.

CAUTION:
This printer weighs 95 pounds (43 kg.).
We recommend two people to move it.



Get help to lift the printer to its new location.

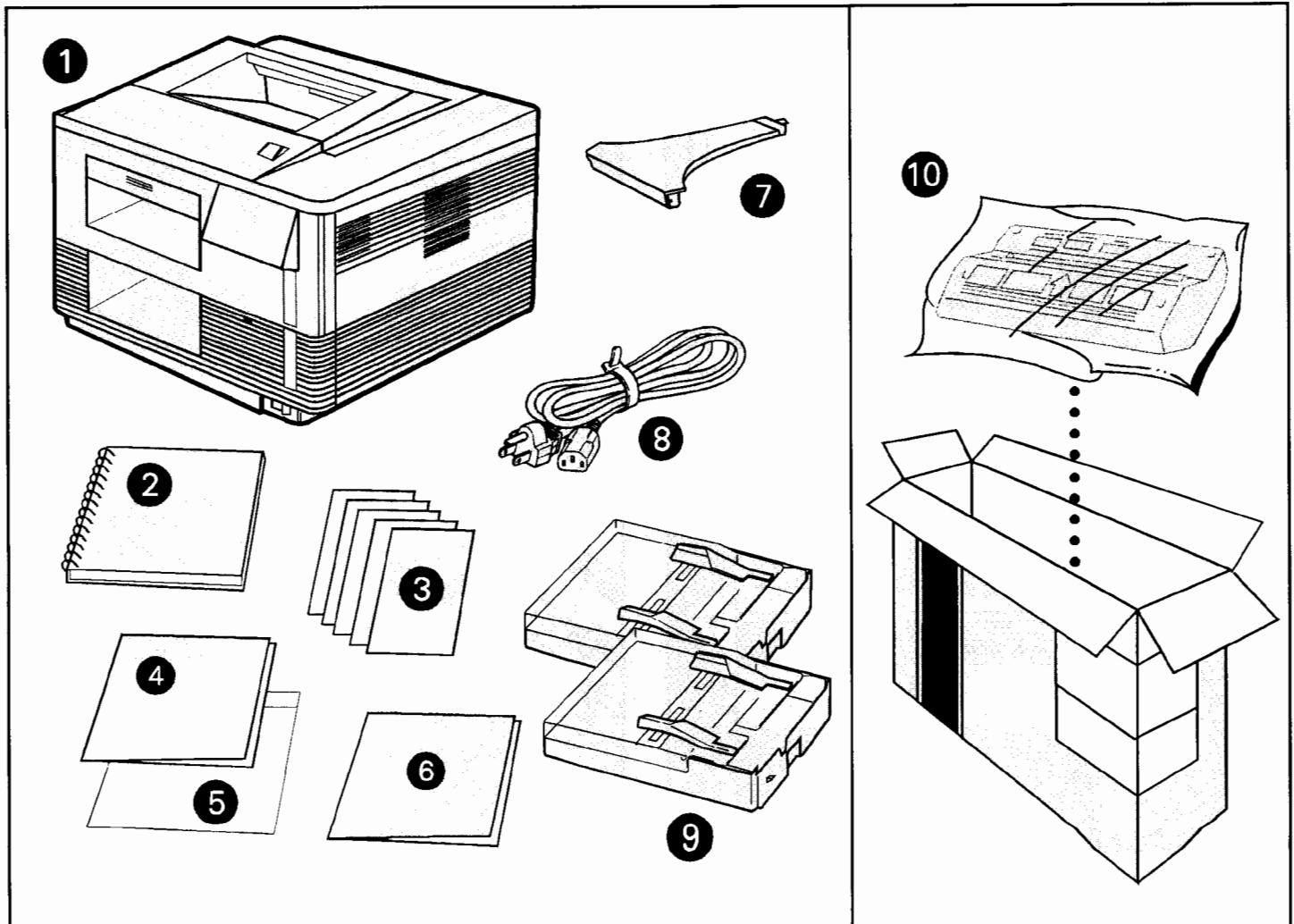
Check Package Contents

C

Locate each item in the list below:

1. HP LaserJet III Si printer
2. *LaserJet III Si Printer User's Reference Manual*
3. 5 *LaserJet III Si Printer User's Quick Reference Guides*
4. *LaserJet III Si Printer Operator's Guide*
5. Adhesive Vinyl Envelope – For handy reference, place your *Operator's Guide* in this envelope and attach it to the left front side of your printer.
6. *HP Network Notes for the LaserJet III Si Printer*
7. Bin Full Sensor Arm— See section G for installation instructions.
8. Power cord
9. Two paper trays
10. Toner Cartridge package – HP part number 92291A, packaged separately

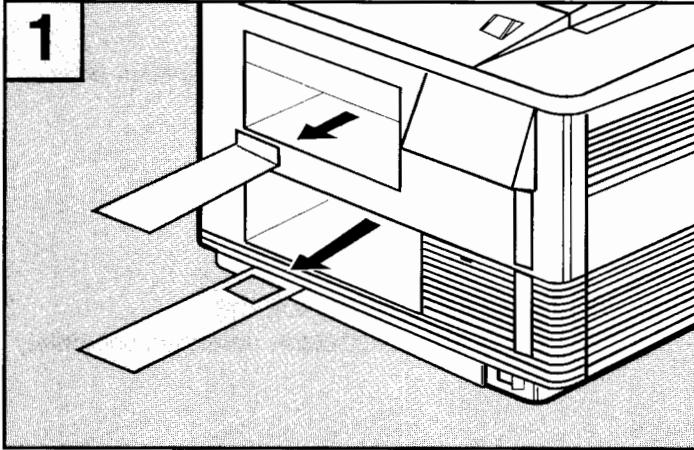
Notify your Hewlett-Packard Dealer immediately if any parts are missing or damaged



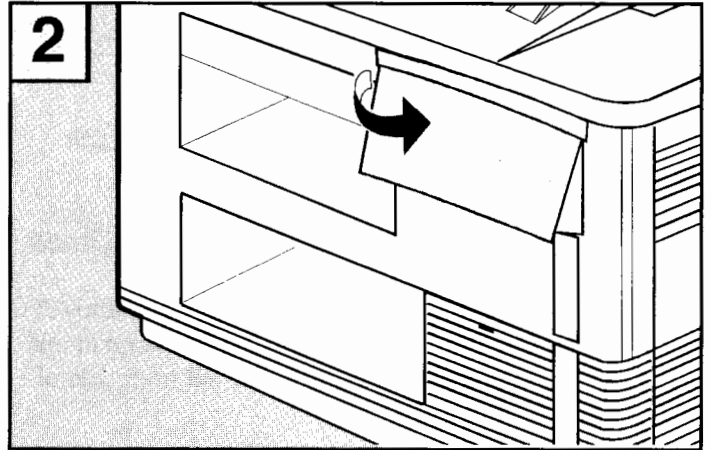
D

Unpack the Printer

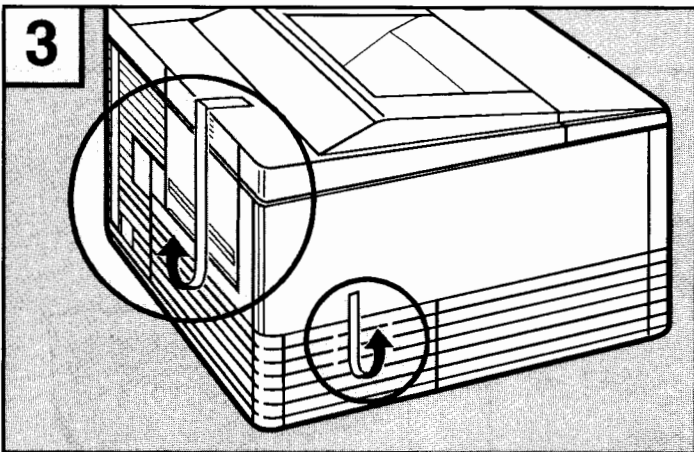
Save all packing material. You may need to repack and transport your printer at a later date.



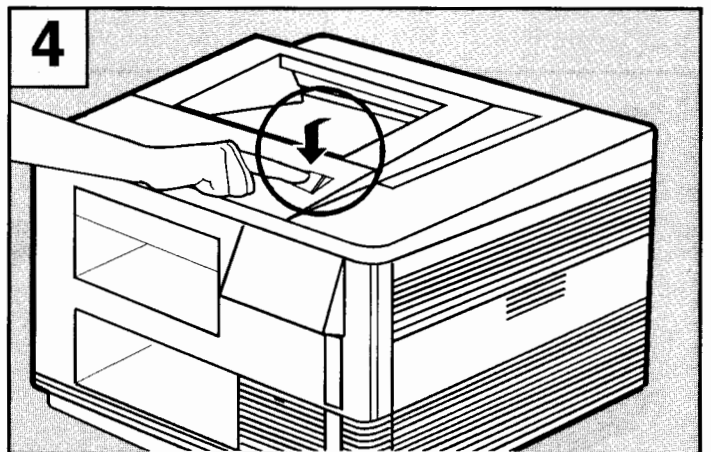
1 Remove the cardboard pieces inside the two paper tray slots.



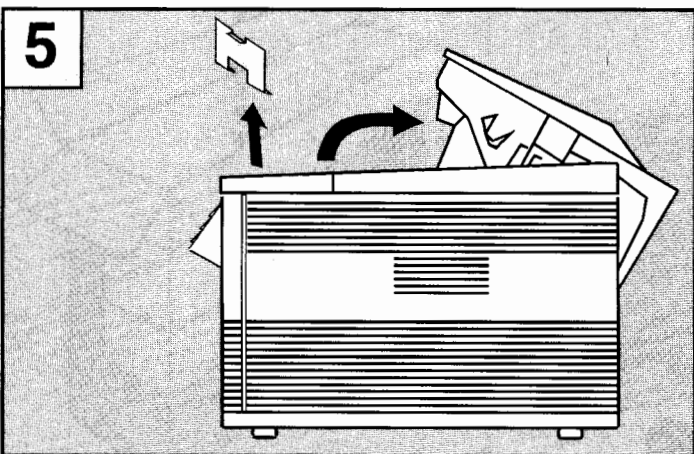
2 Remove the tape from the control panel display window.



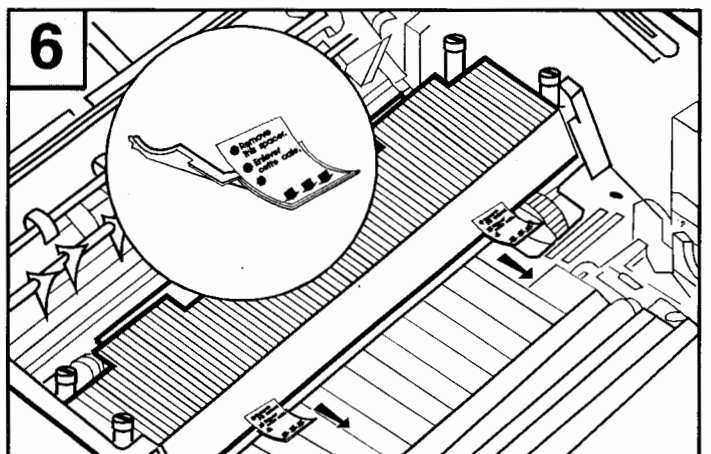
3 Remove the tape from the rear paper output tray and side door.



4 Push down firmly on the top cover release button to open the printer.



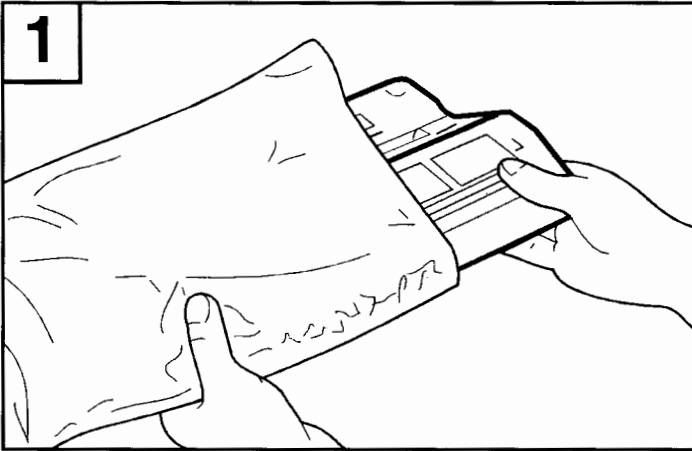
5 Remove the cardboard from inside the printer.



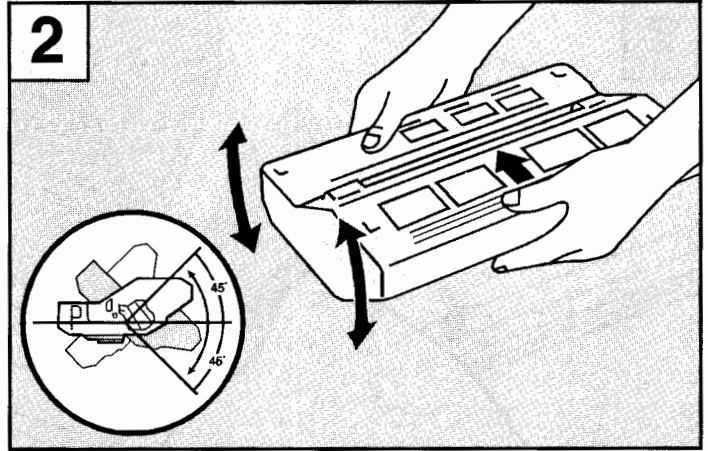
6 Lift up and gently pull out fuser spacers.

Install the Toner Cartridge

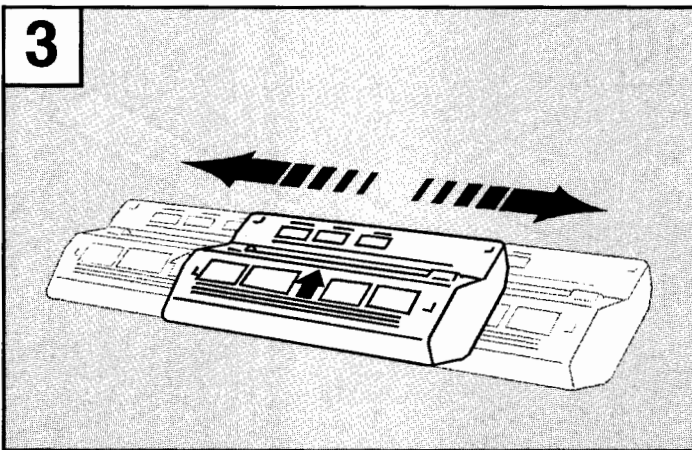
E



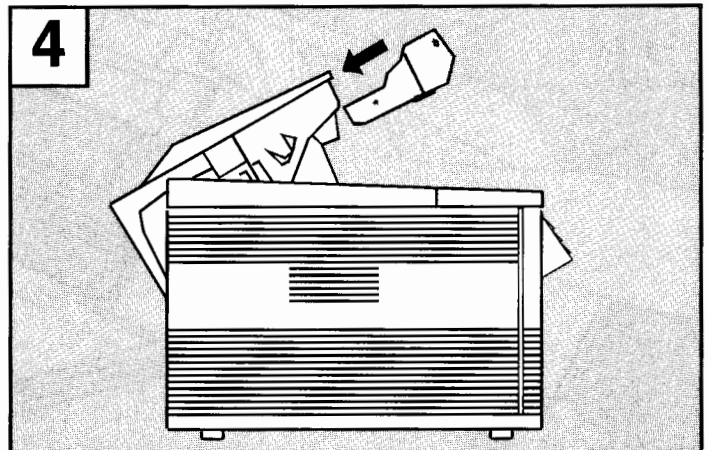
1 Locate the toner cartridge (it is in a separate box). Remove the toner cartridge from its bag.



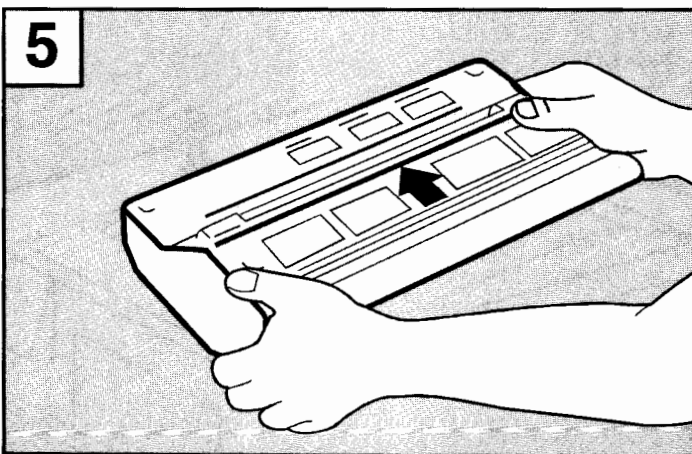
2 Distribute the toner by rocking the cartridge back and forth 5 to 6 times.



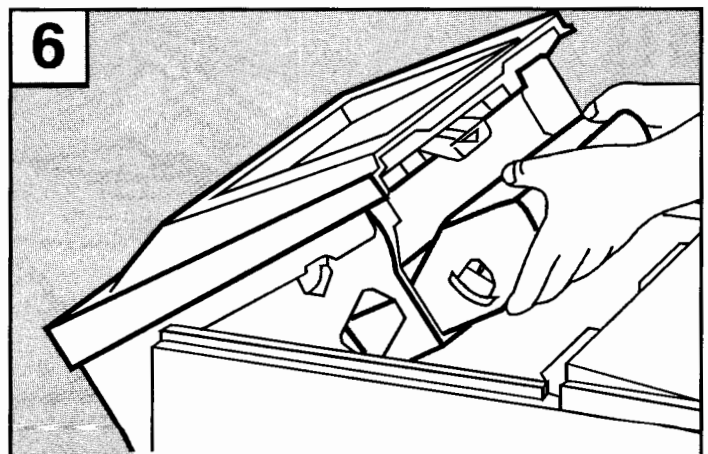
3 Next, gently shake the cartridge from side to side 5 to 6 times.



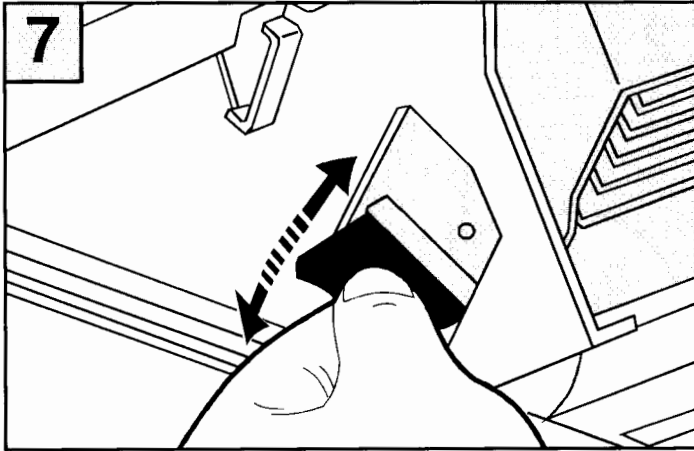
4 Open the printer to the **half-open** position.



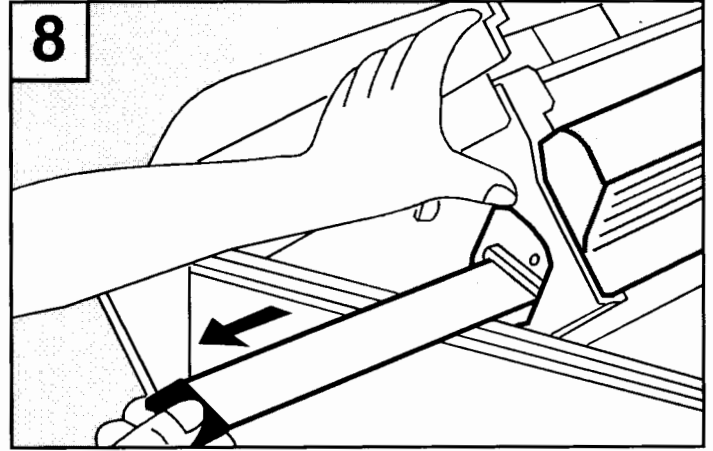
5 Position the cartridge as shown above.



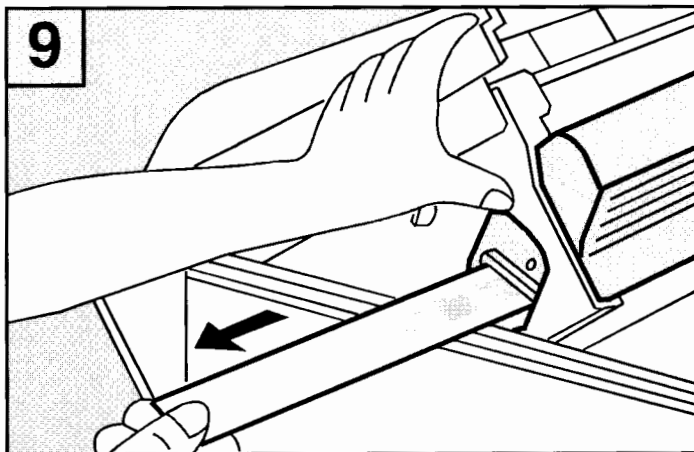
6 Slide the cartridge into the lid of the printer.



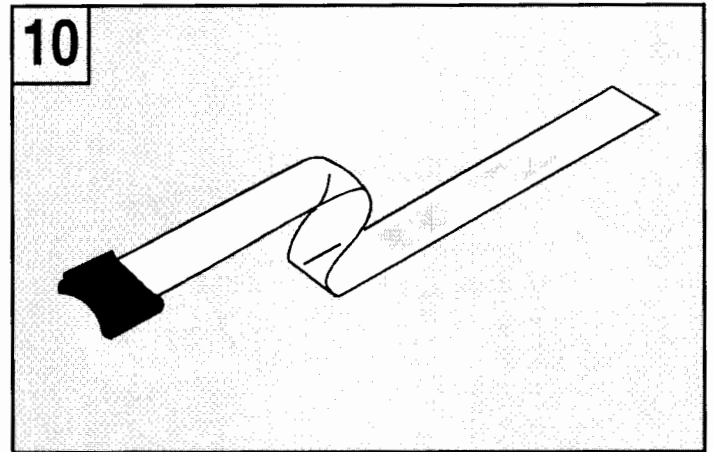
7
Bend the tab on the left side of the toner cartridge back and forth until it breaks.



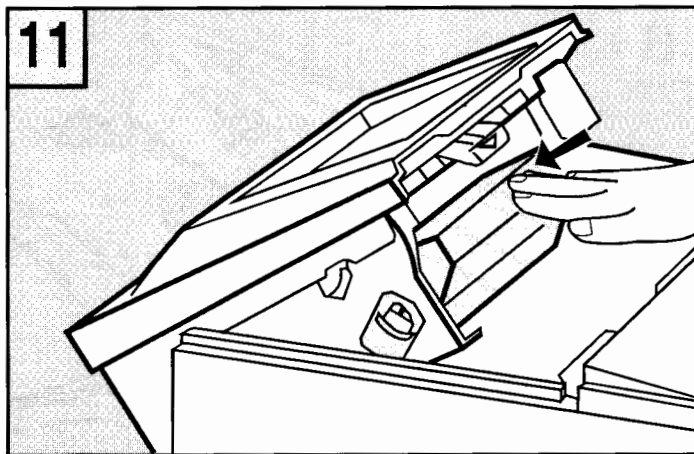
8
Hold the printer steady. Firmly pull the tab and the sealing tape straight out. It will be hard to pull.



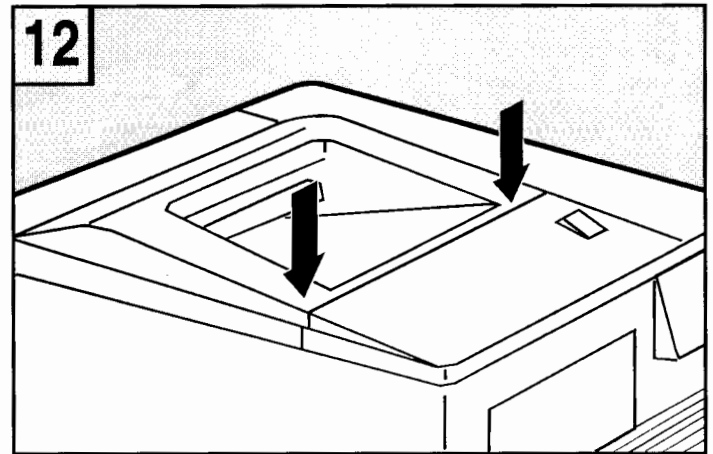
9
If the tab separates from the tape, pull out the tape. Avoid touching black part of tape.



10
Throw away the sealing tape strip, about 22 in. (55 cm) long.



11
Push firmly against the toner cartridge to make sure it is seated correctly.



12
Close the printer.

Load the Paper

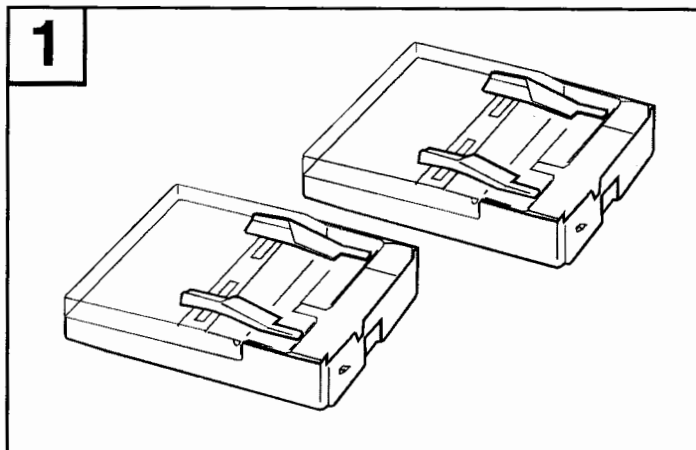
F

Paper Specifications

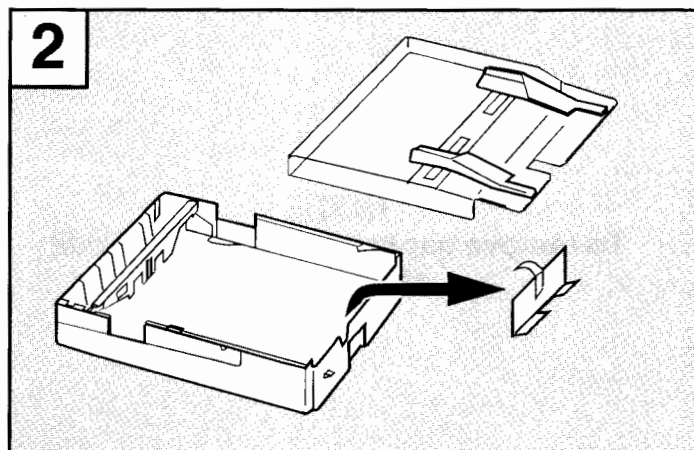
Your HP LaserJet IIISi printer works well with many common papers, particularly xerographic bond papers with basis weights from 16 to 28 pounds (60 to 105 g/m²) for simplex and 16 to 24 pounds (60 to 90 g/m²) for duplex. However, we recommend you test your paper for acceptable performance. Refer to Appendix E, "Paper and Print Media Specifications," in the *LaserJet IIISi Printer User's Reference Manual* for paper information.

NOTE

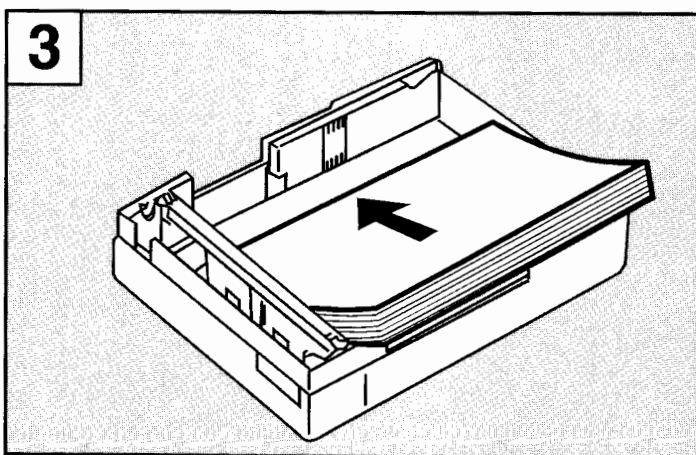
Hewlett-Packard neither warrants nor recommends the use of a particular paper. Paper properties are subject to change by paper manufacturers and Hewlett-Packard has no control over such changes. The customer assumes all responsibility as to the quality and performance of paper. Although testing helps to characterize performance, long-term satisfaction requires process quality control by the paper manufacturer and proper paper handling until use.



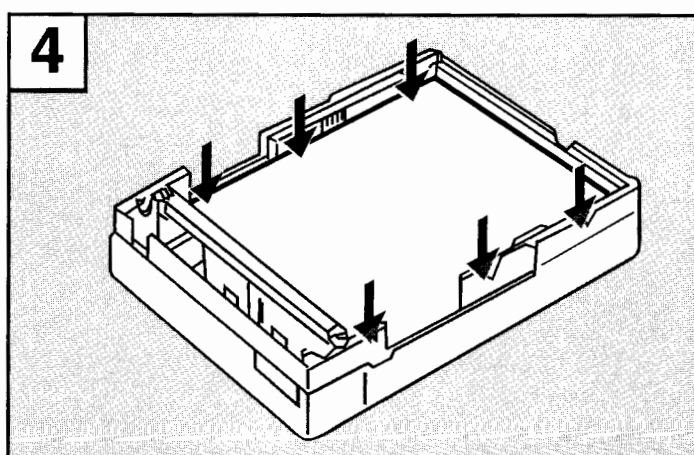
1 Locate the two letter size paper trays.



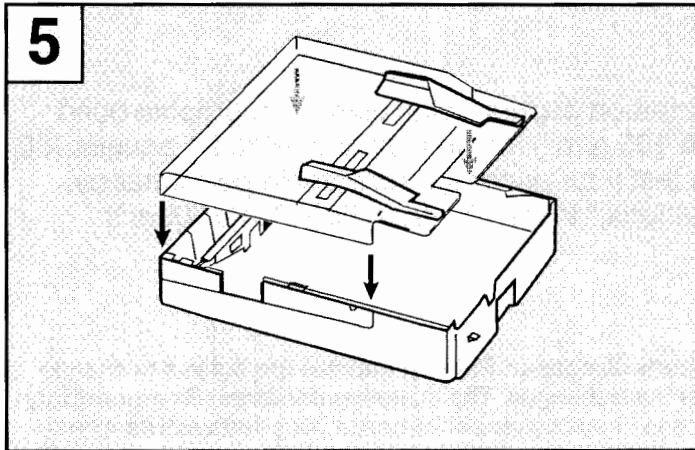
2 Remove the cover and cardboard packing material from inside both trays.



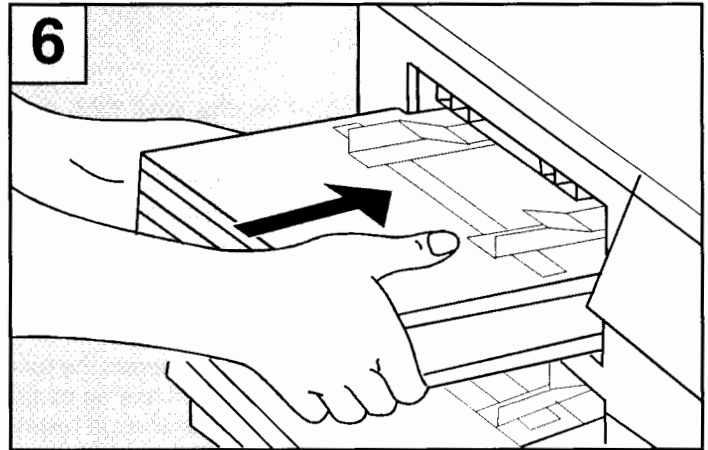
3 Load paper into both paper trays. Each tray holds 500 sheets of 20 pound (75 g/m²) paper.



4 Ensure that the paper is flat in the tray at all four corners.



Replace the tray cover.

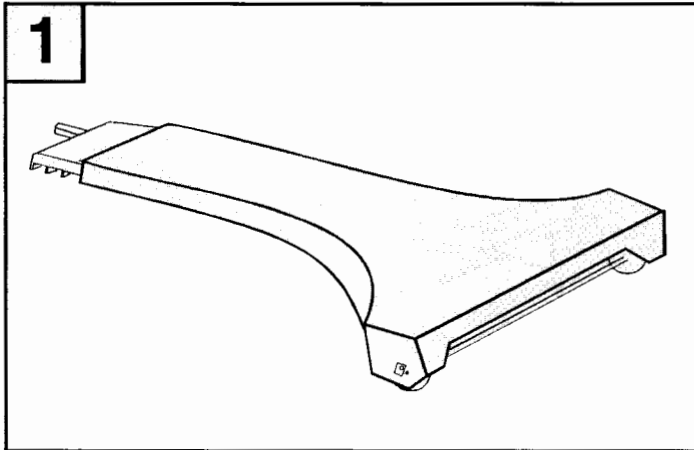


Firmly insert the bottom and top trays into the printer.

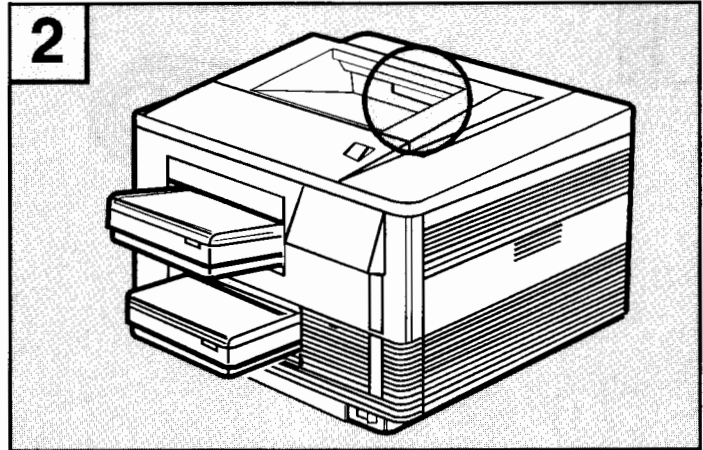
NOTE
To remove paper trays, lift up and pull
straight out.

Install the Bin Full Sensor Arm

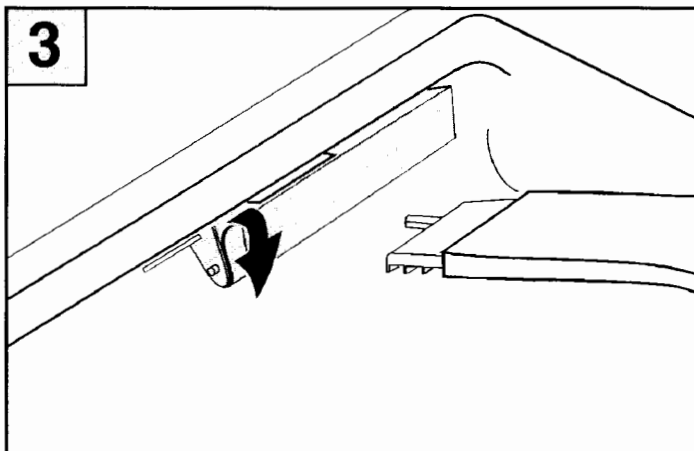
G



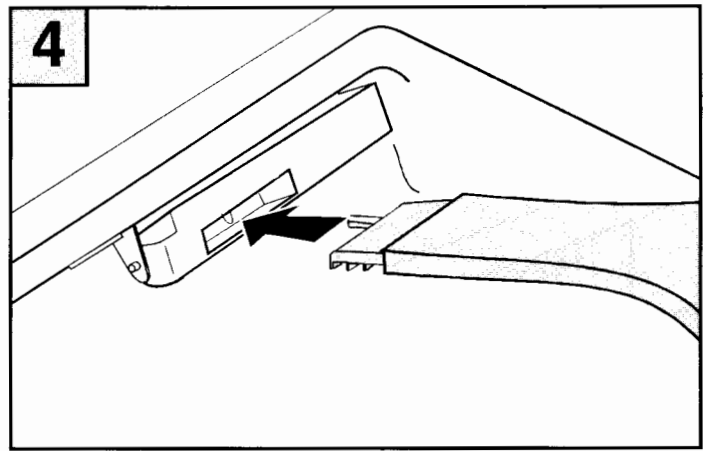
1
Locate the Bin Full Sensor Arm.



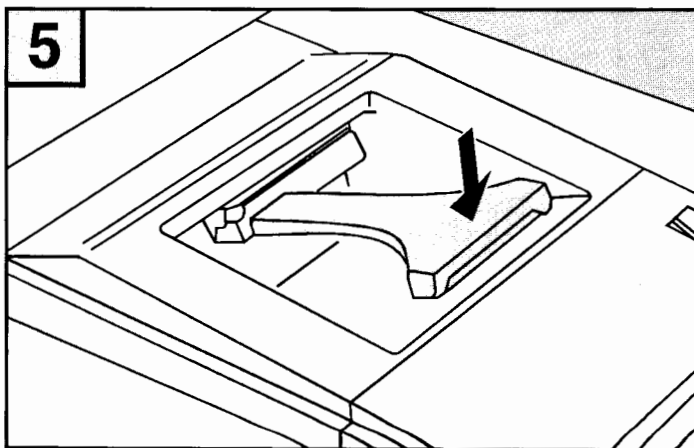
2
Locate the Bin Full Sensor Arm holder in the top of the printer.



3
Rotate the Bin Full Sensor Arm holder downward.



4
Insert the Bin Full Sensor Arm into the slot.

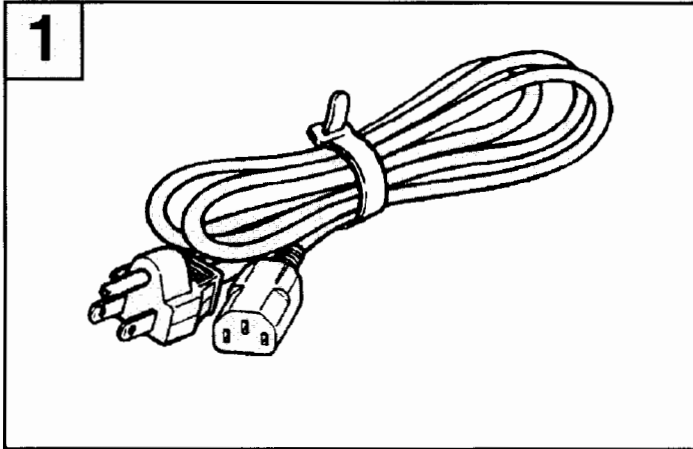


5
Rest the Bin Full Sensor Arm against the printer.

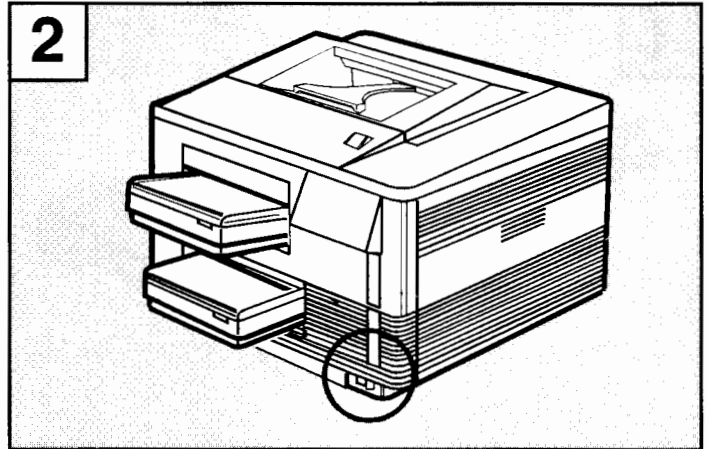
NOTE
For information on the Bin Full Sensor Arm, refer to the "Special Printer Operations" chapter in your *LaserJet IISi Printer User's Reference Manual*.

H

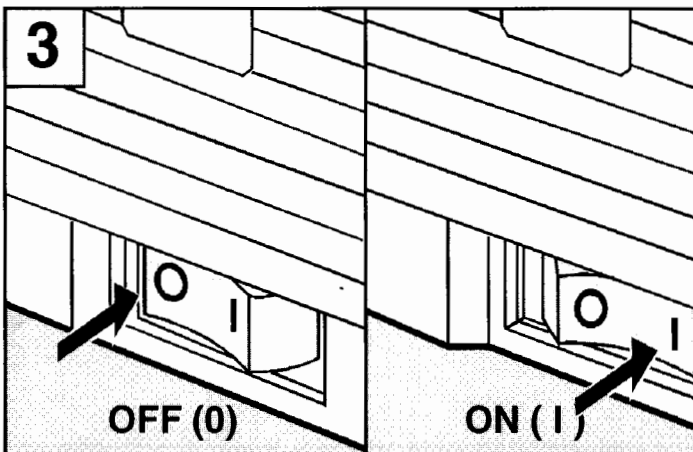
Connect the Printer to a Power Supply



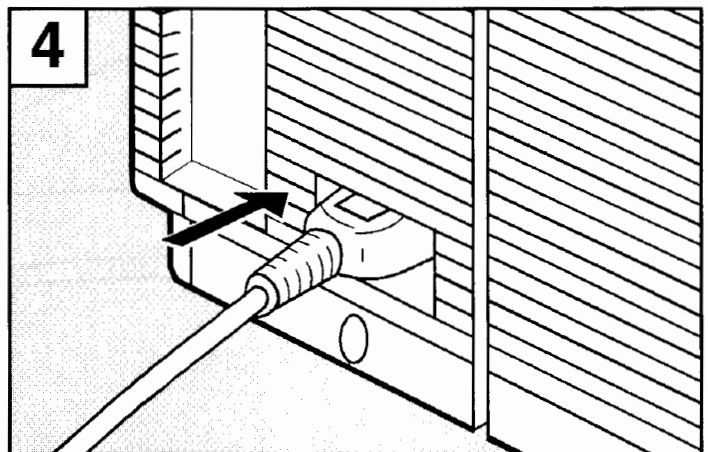
Locate the power cord.



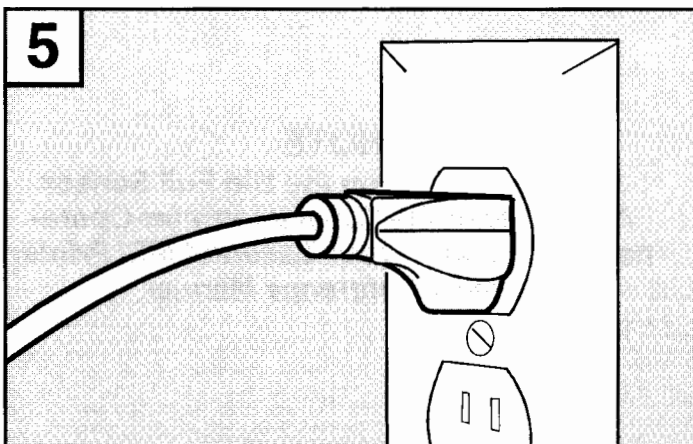
Locate the power switch on the front of the printer.



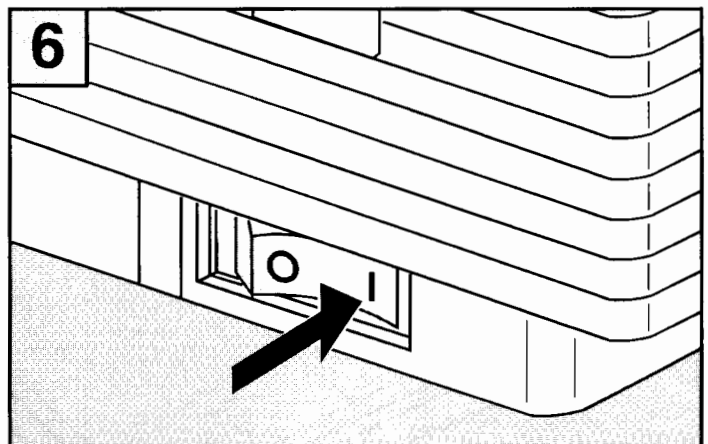
Make sure the power switch is in the OFF (0) position.



Insert the power cord into the power connector plug on the back of the printer.



CAUTION Insert the other end of the power cord only into a 220-volt AC power outlet.

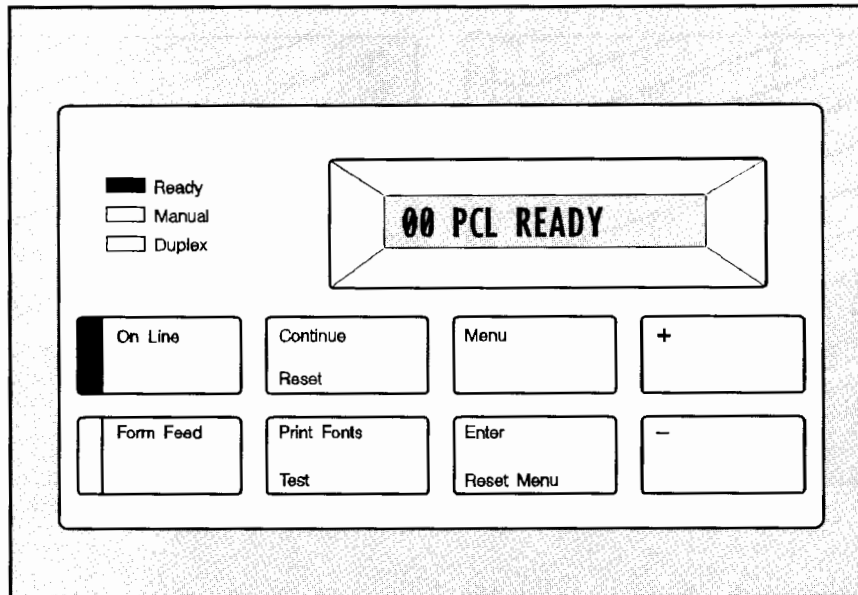


Turn ON (1) the printer. 05 SELF TEST appears in the display window for about 30 seconds, then 02 WARMING UP appears.

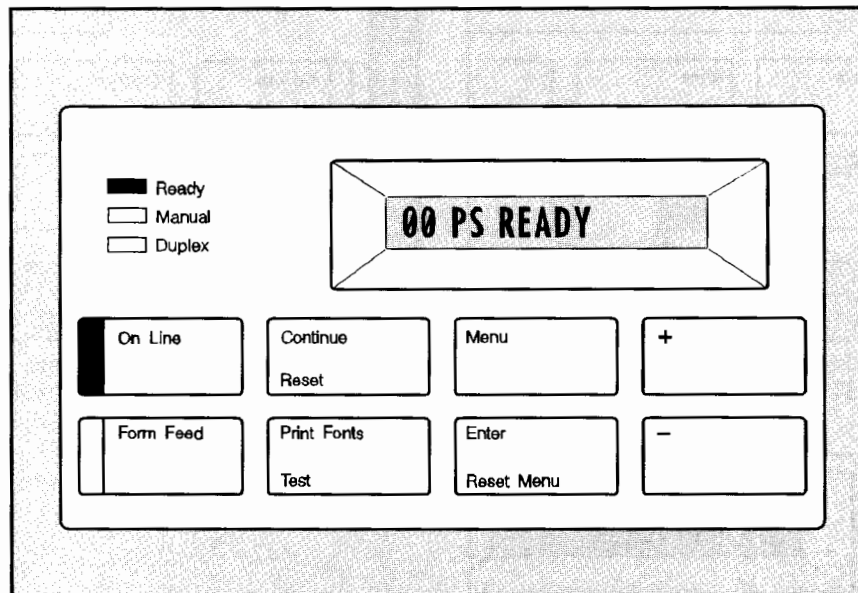
7

The printer may take up to two minutes to warm up.

This guide is for both the PCL and PostScript printer language options. The display window on the printer will indicate which printer language your LaserJet III Si printer is set for.



After the printer warms up, the **Ready** and **On Line** indicators light up and the display window shows either 00 PCL READY or 00 PS READY.



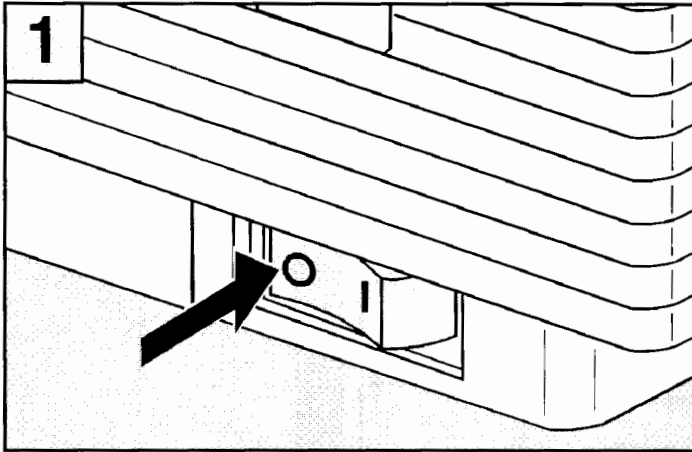
NOTE

If an error message displays, refer to the "Troubleshooting" chapter in your *LaserJet III Si Printer User's Reference Manual* for help. If problems continue, contact your internal support organization or your HP dealer.

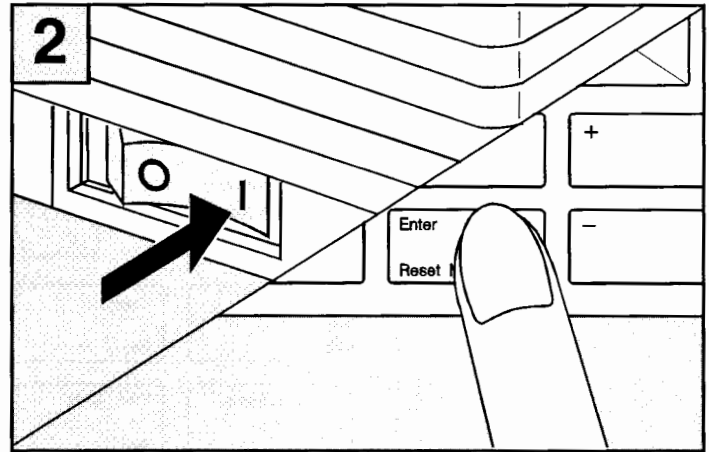
I

Change the Display Message Language

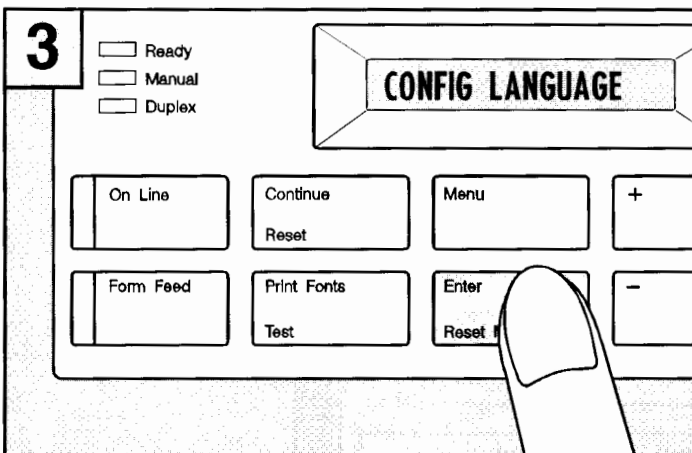
The control panel language default is English. If you want the control panel messages displayed in English, skip I and go to section J. If you want the messages in French, German, Italian, or Spanish, follow these instructions.



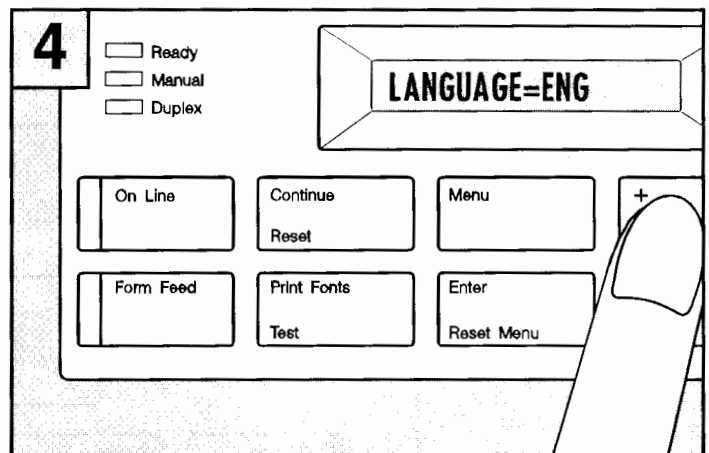
Turn the printer OFF (0).



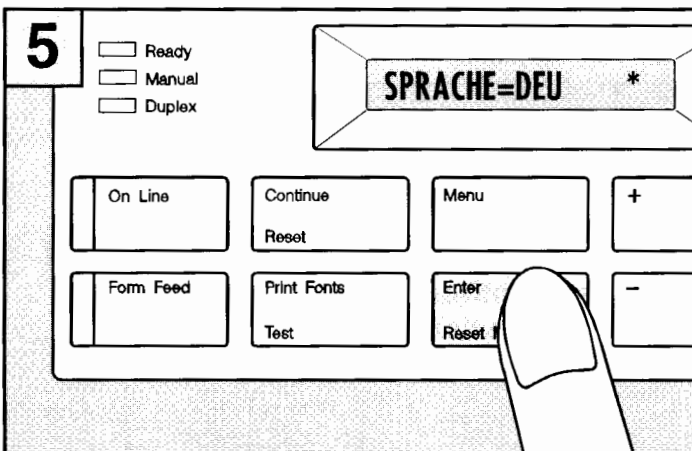
Hold **Enter/Reset Menu** while turning the printer back ON (1).



Hold until CONFIG LANGUAGE appears. Release **Enter/Reset Menu**. 05 SELF TEST appears.



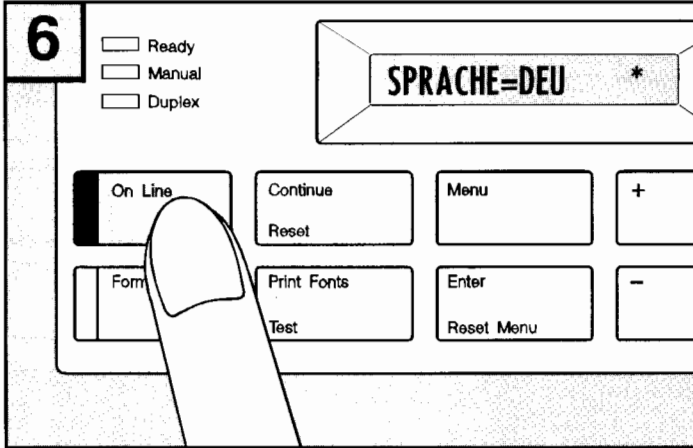
Wait for LANGUAGE=ENG to appear. Press **+** repeatedly until the desired language appears on the display.



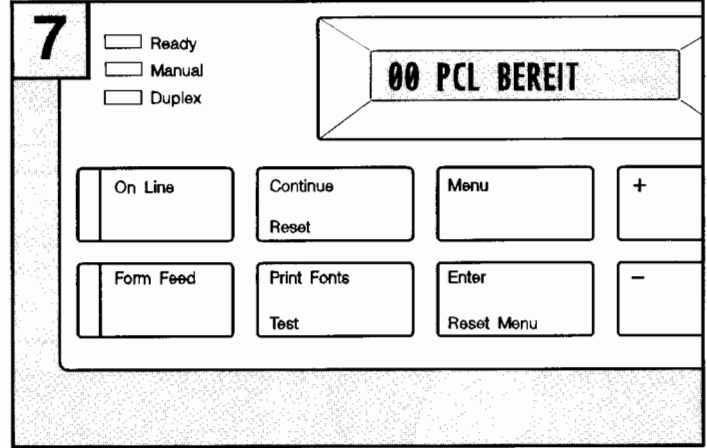
Press **Enter/Reset Menu** to save your choice. An asterisk (*) will appear beside your language selection.

NOTE

If the language does not change, you may not have pressed **Enter/Reset Menu** to save your new selection.



Press **On Line**. The **On Line** indicator light will come on.



Your display messages will now be in the language you selected.

NOTE

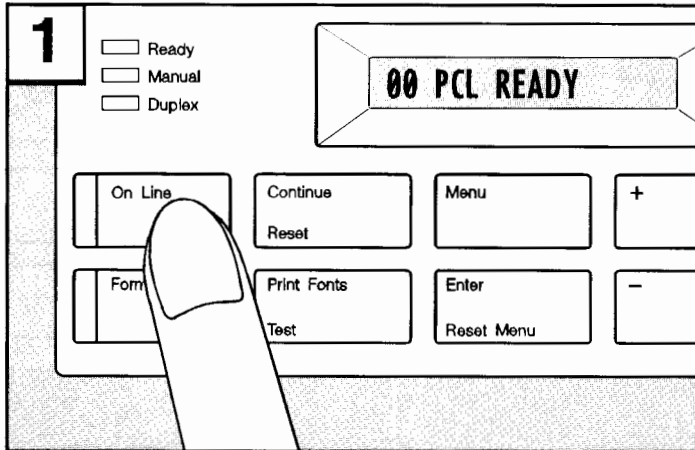
When the printer is turned off, it stays in the language you choose.

J

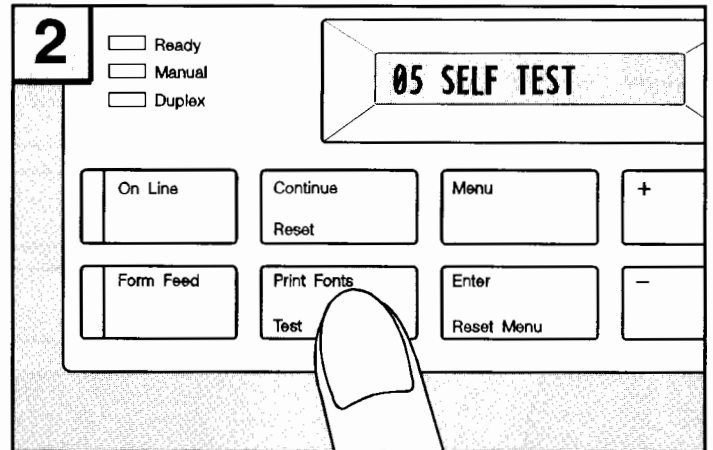
Test Printer Operation - (PCL Language)

If your printer is set for PostScript, please go to next page.

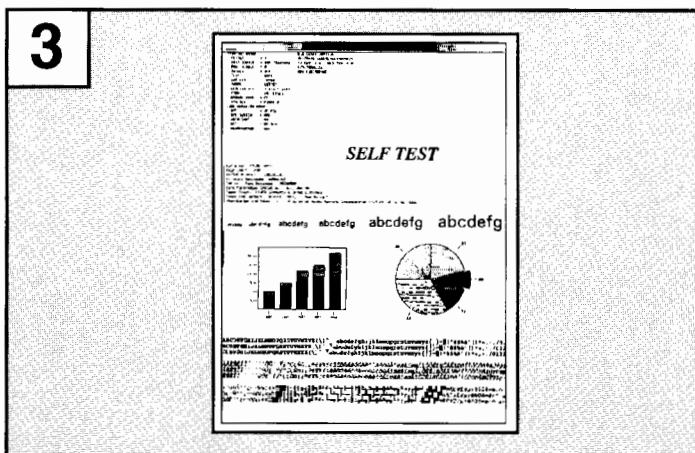
For a detailed description of the Self Test and Font Printout, refer to the "Using the Control Panel" chapter in your *LaserJet IIISi Printer User's Reference Manual*.



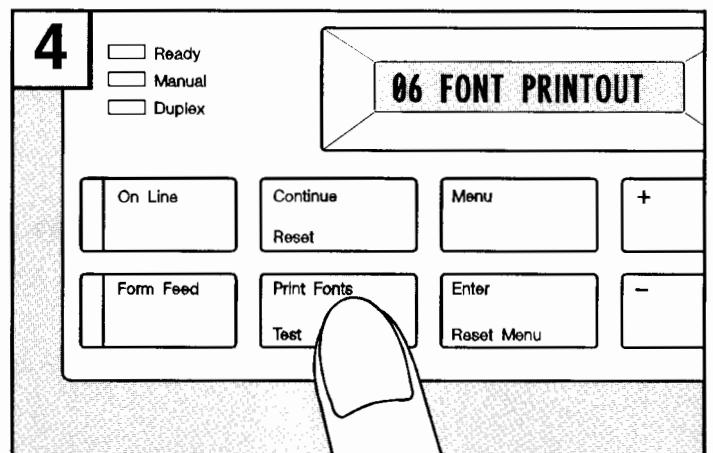
Press **On Line** once to take the printer off line (the **On Line** indicator goes out).



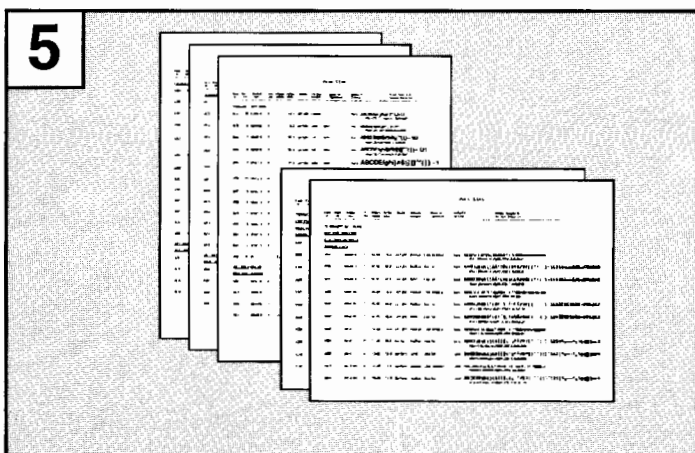
Hold down **Print Fonts/Test** until 05 SELF TEST appears in the display window, then release.



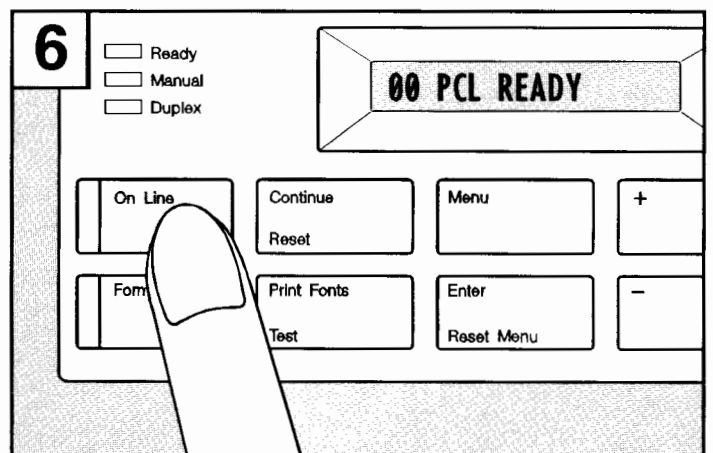
06 PRINTING TEST appears and after about 10 seconds the SELF TEST prints out.



Briefly press and release **Print Fonts/Test**. 06 FONT PRINTOUT appears in the display.



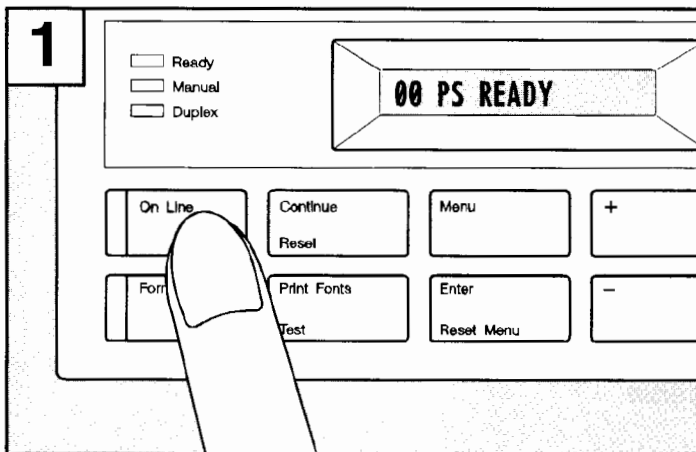
Font samples for the printer will print. 00 PCL READY appears when the font printout is complete.



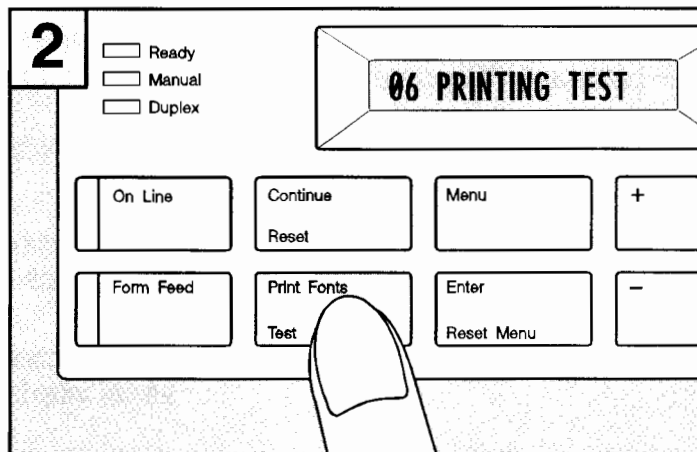
When printing stops, press **On Line**.

Continue to section **K**.

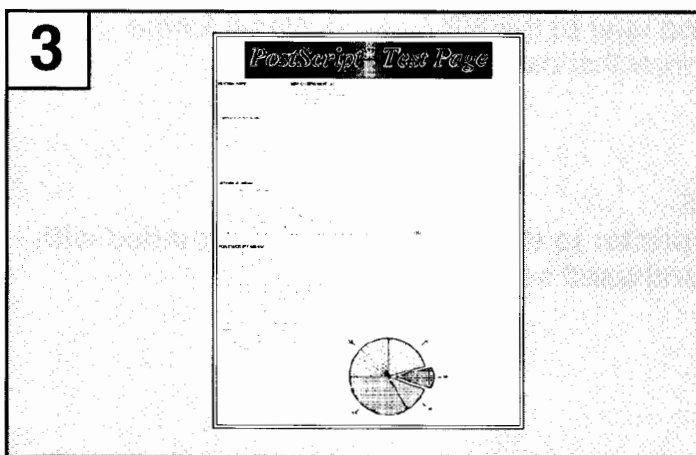
Test Printer Operation – (PostScript Language)



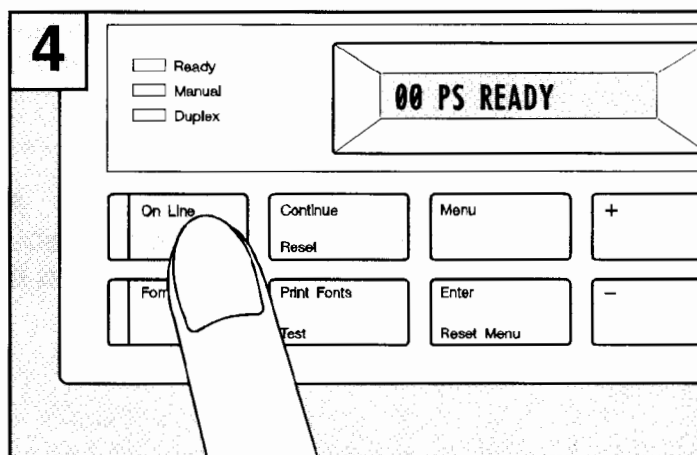
Press **On Line** once to take the printer off line (the **On Line** indicator goes out).



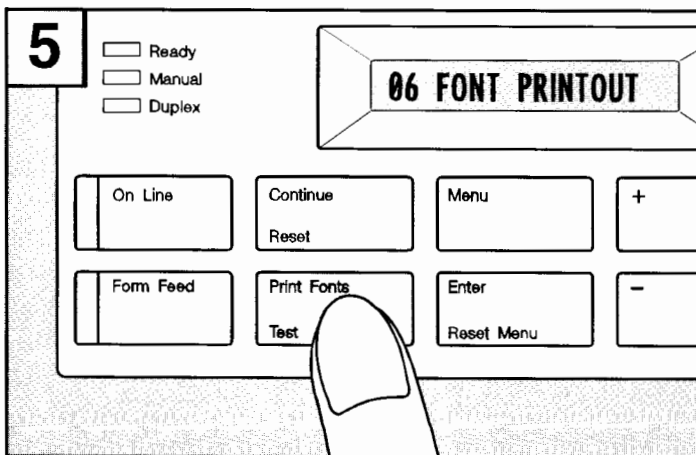
Hold down **Print Fonts/Test** until 06 PRINTING TEST appears in the display window, then release.



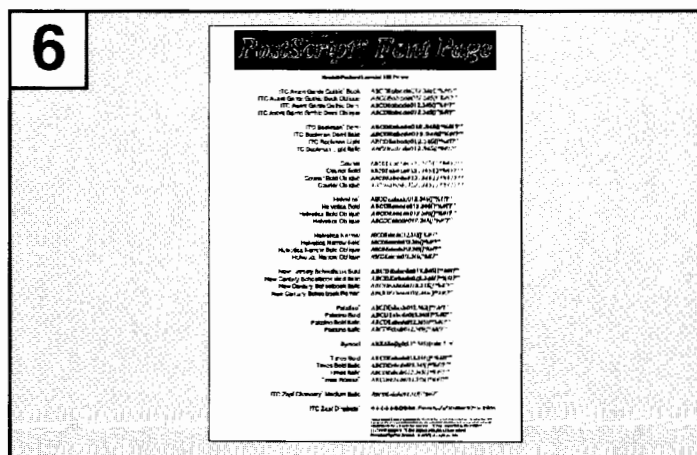
After about 10 seconds the TEST PAGE prints out.



When printing stops, press **On Line** once to take the printer off line (the **On Line** indicator light goes out).



Briefly press and release **Print Fonts/Test**. 06 FONT PRINTOUT appears in the display.



The font page for the printer will print. 00 PS READY appears when the font printout is complete.

K

Select Centronics Parallel, Serial or Network Connection

The default interface for the HP LaserJet IIISi printer is Centronics parallel. However, the HP LaserJet IIISi printer can be configured different ways.

For information about configuring your printer with:

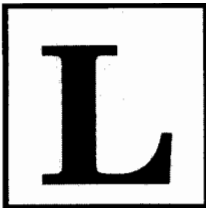
- * **Centronics parallel** (default): go to section **L** for information on identifying and selecting a Centronics parallel interface cable.
- * **Serial**: go to section **L** for information on identifying and selecting a serial interface cable.
- * **Network Printer Interface**: exit this guide and refer to the *HP Network Printer Interface for Novell Networks* (HP part number C2059-90901).
- * **Other interfaces**: exit this guide and refer to the *HP Network Notes for the LaserJet IIISi Printer* that came with your printer.

NOTE

The parallel or serial cable used to connect the printer to the computer is not provided with the printer. It must be purchased separately.

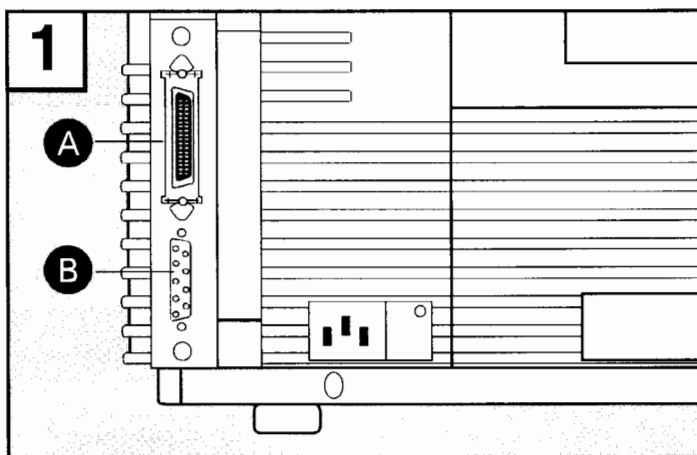
If information about the interface you wish to install is not addressed here, refer to the documentation that came with your connection or call your HP dealer for assistance.

Select a Centronics Parallel or Serial Interface

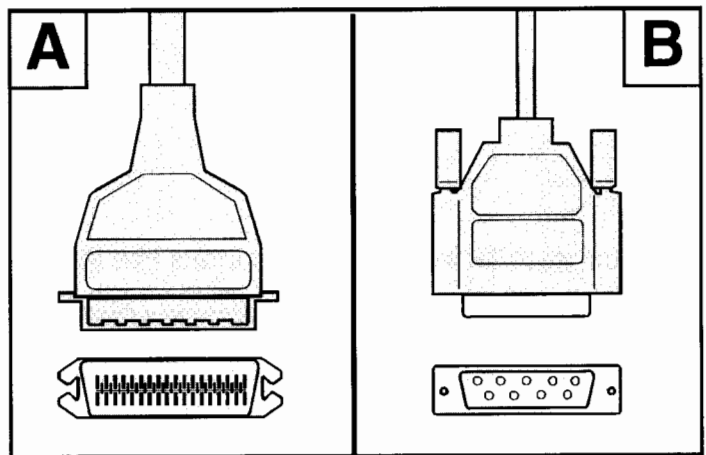


A computer communicates with a printer through an interface cable. Two interface cables your HP LaserJet IIISi printer supports are Centronics parallel and serial. These are cables that are inserted into the back of your printer and computer.

The default interface for the HP LaserJet IIISi printer is Centronics parallel. Examine the cable diagrams below to identify the cable you are using, then continue to the next page for more information about your cable. If you have not purchased your interface cable, the information on the next two pages will help you decide which cable will best fit your situation.



1 Location of Centronics parallel (A) and serial (B) ports on the back of your printer.



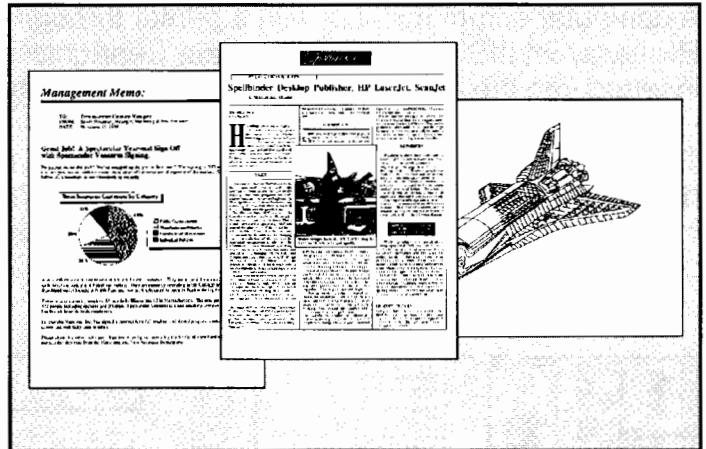
A Parallel cable - printer end

B Serial cable - printer end

Centronics Parallel Interface

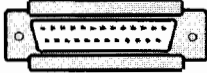

Use a Centronics parallel interface when:

- You want the fastest transfer of data to your printer.
- You send a lot of graphic information or soft fonts to the printer.
- You position your printer less than 10 feet (3 meters) from your computer.



Graphic Information

A typical parallel interface cable looks like this:

Computers	Computer End	Parallel Interface Cable		Printer End
HP Vectra IBM PC/AT/XT/PS2 and most IBM compatibles Compaq AT&T	 25 Pin Male Plug	HP Part Number <hr/> HP 92284A	Length <hr/> 7.0' (2.1 m)	 36 Pin Male Plug

Did you decide on a Centronics parallel interface? If so, go to section **M**.

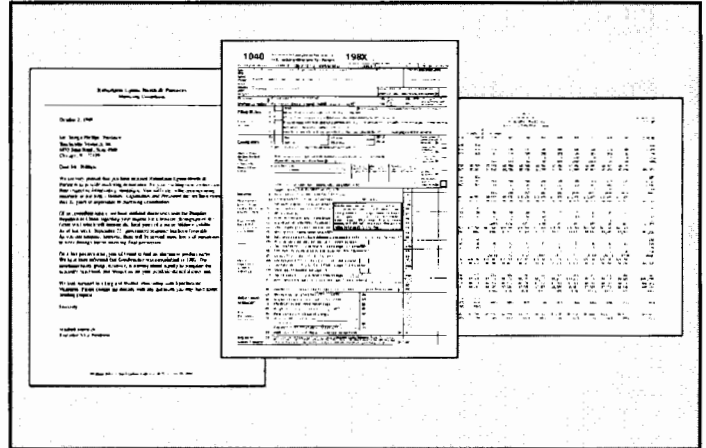
Serial Interface

Use a serial interface when:

- Your computer does not have an available Centronics parallel interface.
- Most of your documents are textual with little graphic information.

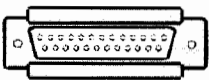
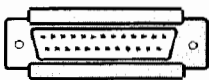
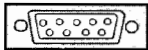
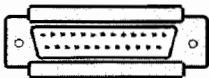
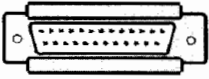
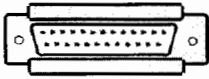
The RS232C interface can support printers located up to 50 feet (15.24 meters) away from the computer.

The RS422A interface can support printers located up to 4000 (1,219 meters) feet away from the computer.



Textual Information

A typical serial interface cable looks like this:

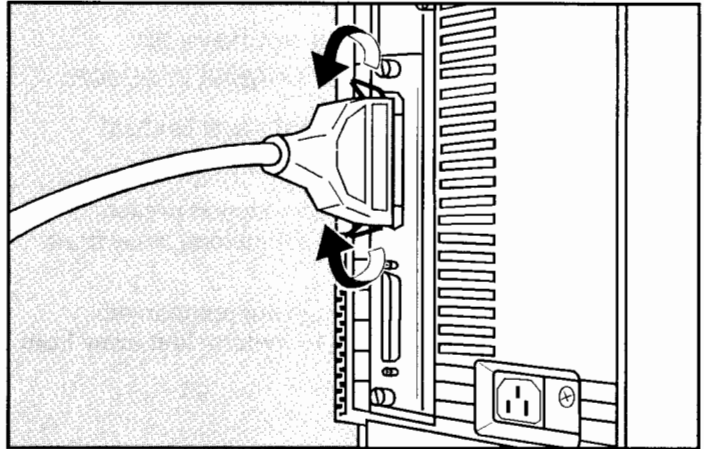
Computers	Computer End	Serial Interface Cable		Printer End
IBM PC/XT/AT/PS2 and most IBM Compatibles Compaq Portable AT&T	 25 Pin Female Plug	HP Part Number	Length	 25 Pin Male Plug
		HP 17255D (RS232C)	3.3' (1.0 m)	
		HP 92219J (RS232C)	16.7' (5.0 m)	
HP Vectra IBM PC/AT and most IBM AT Compatibles Compaq Deskpro 286/386	 9 Pin Female Plug	HP Part Number	Length	 25 Pin Male Plug
		HP 24542G (RS232C)	9.9' (3.0 m)	
HP Vectra (Dual Serial Card)	 25 Pin Male Plug	HP Part Number	Length	 25 Pin Male Plug
		HP 17255M (RS232C)	3.9' (1.2 m)	
		HP 13242-60010 (RS232C)	16.7' (5.0 m)	

Did you decide on a serial interface? If so, go to section N.

M

Install a Centronics Parallel Cable

1. Make sure your computer and printer are turned OFF.
2. Plug the cable into your computer and your printer. Use the wire clips to attach the cable to your printer.
3. Follow these steps to verify the printer configuration settings. When finished, go to section O to set up your AUTOEXEC.BAT file.



Snap the clips into the notch on the cable connector.

Step	WHAT to do:	HOW to do it:	Printer displays:
1	Turn ON computer	Flip power switch ON	
2	Turn ON printer	Flip power switch ON (I)	00 PCL READY OR 00 PS READY
3	Take printer off line	Press OnLine	00 PCL READY OR 00 PS READY (On Line indicator light goes out)
4A	Enter PCL CONFIG MENU OR . . .	Hold Menu down until PCL CONFIG MENU appears	SYS=HP-PCL *
4B	Enter PS CONFIG MENU	Hold Menu down until PS CONFIG MENU appears	SYS=POSTSCRIPT *
5	Enter I/O Menu and make sure PARALLEL is selected	Press Menu repeatedly until I/O= appears	I/O=PARALLEL * (If it is SERIAL, press + once until PARALLEL displays, then press ENTER to save selection)
6	Make sure ADV FUNCTNS is NO	Press Menu once	ADV FUNCTNS=NO * (If it is YES, press + once until NO displays, then press ENTER to save selection)
7	Put printer on line	Press OnLine once	00 PCL READY OR 00 PS READY (On Line indicator light goes on)

NOTE

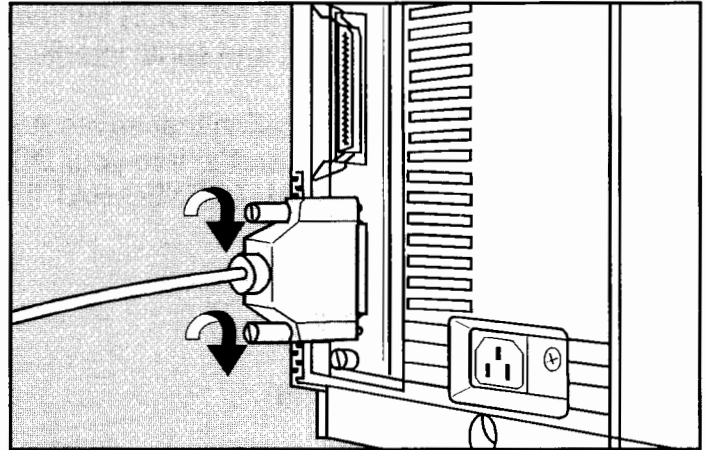
Run a SELF TEST and keep the printout as a record of your configuration (refer to section J for more information).

Continue to section O.

Install a Serial Cable

N

1. Make sure your computer and printer are turned OFF.
2. Plug the cable into your computer and printer. If necessary, use a small screwdriver to attach the cable to the printer.
3. Follow the steps below to change the factory default interface setting from parallel to serial. When finished, go to section O to set up your AUTOEXEC.BAT file.



Attach the serial cable connector to the serial I/O port on the back of the printer. (You may need to use a small screwdriver.)

Step	WHAT to do:	HOW to do it:	Printer displays:
1	Turn ON computer	Flip power switch ON	
2	Turn ON printer	Flip power switch ON (I)	00 PCL READY OR 00 PS READY
3	Take printer off line	Press (OnLine)	00 PCL READY OR 00 PS READY (On Line indicator light goes out)
4A	Enter PCL CONFIG MENU OR ...	Hold (Menu) down until PCL CONFIG MENU appears	SYS=HP-PCL *
4B	Enter PS CONFIG MENU	Hold (Menu) down until PS CONFIG MENU appears	SYS=POSTSCRIPT *
5	Enter I/O Menu	Press (Menu) repeatedly until I/O= appears	I/O=PARALLEL * (if it is SERIAL, go to step 8)
6	Make sure SERIAL is selected	Press (+) once	I/O=SERIAL
7	Save the selection	Press (ENTER)	I/O=SERIAL *
8	Make sure BAUD RATE is 9600	Press (Menu) once	BAUD RATE=9600 * (If it is another number, press (+) until 9600 displays, then press (ENTER) to save selection)
9	Put printer on line	Press (OnLine) once	00 PCL READY OR 00 PS READY (On Line indicator light goes on)

NOTE

Run a SELF TEST and keep the printout as a record of your configuration (refer to section J for more information).

Continue to section O.

O

Set Up a DOS AUTOEXEC.BAT File

The MODE command prepares MS-DOS for communication with your LaserJet IIISi printer. The MODE commands for parallel and serial interface cables are listed below.

Use a word processing application that saves ASCII text or a text editor such as DOS EDLIN to enter the appropriate MODE command(s) into your DOS AUTOEXEC.BAT file. For more information about MODE commands and your AUTOEXEC.BAT file, refer to your DOS manual.

PARALLEL

```
MODE LPT1:,,P
```

SERIAL

```
MODE COM1:9600,N,8,1,P  
MODE LPT1:=COM1:
```

For MS-DOS version 4.0 and above, enter:

```
MODE LPT1:,,B
```

Continue to section P.

Verify Communication Between the Computer and Printer – PCL

P

To make sure your printer and computer are set up correctly to talk to one another, print out a list of computer files.

1. Make sure your computer and printer are ON and your printer is on line. (On Line indicator is lit.)
2. At the root directory (A> or C>) type `DIR>PRN` **(ENTER)**.
3. Press **(OnLine)** to take the printer off line.
4. If the form feed light is ON, press **(FormFeed)** to eject the page.
5. Press **(OnLine)** to put the printer back on line.
6. If the printer does not print the list of files and the printer's control panel does not display an error message, read through the troubleshooting checklist on the next page (section **Q**) for help in solving the problem.
7. If an error message appears in the printer control panel display, refer to the "Troubleshooting" chapter in your *LaserJet III Si Printer User's Reference Manual* for information. Then, read through the troubleshooting checklist on the next page (section **Q**) for help in solving the problem.

Verify Communication Between the Computer and Printer – PostScript

To Verify Communication Between MS-DOS and Your Printer:

1. Make sure your computer and printer are turned ON and your printer is on line.
2. At the MS-DOS prompt (:), type **Edlin Test.PS** and press **(ENTER)**. Then perform the following steps:
 - a. At the asterisk (*), type **1i** and press **(ENTER)**.
 - b. At the 1:*, type **clippath stroke showpage** and press **(ENTER)**.
 - c. At the 2:*, **hold the Control key down** and press C.
 - d. At the asterisk (*), type **e** and press **(ENTER)**.
 - e. At the DOS prompt (:), type **Copy Test.PS LPT1:** and press **(ENTER)** for parallel configuration.
OR
Type **Test.PS COM1:** and press **(ENTER)** for serial configuration.

The **FORM FEED** indicator will flash to indicate the printer has received this data. The printer will display **PS BUSY**. A page with a border surrounding the image area will print.

If the list of files printed out without a problem, printer setup is complete. Now, you can set up your software to work with your new HP LaserJet III Si printer.

Q

Troubleshooting Checklist

General Troubleshooting Checklist:

(This list excludes AUTOEXEC.BAT errors. See AUTOEXEC.BAT Troubleshooting Checklist below.)

- **Is the On Line indicator on the printer control panel lit?**
If not, press **On Line**.
- **Did you set up the control panel correctly?**
Check to make sure you entered the correct interface selections into the control panel. Repeat the procedure in section **M** for parallel interface, or section **N**, for serial interface.
- **Do you have the correct printer interface cable?**
Compare cable identification with the illustrations and part numbers in section **L**. You may have the wrong interface cable. You might also check the cable connections; they may be loose.
- **Is the interface port configured correctly?**
Your interface cable may be installed in the wrong port in the back of the printer or computer. Or, you may have installed a parallel interface cable but set up your printer configuration for serial interface. Go back to section **L** to identify your interface cable, then repeat the steps in section **M**, parallel, or **N**, serial, to make sure your interface configuration is correctly entered into the printer.
- **Was your computer or printer ON when you connected the interface cable?**
Turn OFF the computer and printer, wait 15 seconds, turn them ON again.
- **Is your printer working correctly?**
Run the SELF TEST described in section **J**. If blank pages print, make sure you have removed the sealing tape from the toner cartridge (section **E**). If necessary, call your HP dealer or HP sales representative.
- **Is your computer working properly?**
Verify operation by running a reliable software application. If necessary, call your computer dealer or manufacturer.

AUTOEXEC.BAT Troubleshooting Checklist:

- **Did you reboot your computer after editing your AUTOEXEC.BAT file?**
When you finished entering the printer configuration into your AUTOEXEC.BAT file (section **O**), you needed to reboot the computer. Hold down **Ctrl** + **Alt** + **Del** at the same time.
- **Did you set up your AUTOEXEC.BAT file correctly?**
Recheck your AUTOEXEC.BAT file. At your root directory (A> or C>), type `TYPE AUTOEXEC.BAT` **ENTER**. Look over your MODE statement carefully for errors; a character may be missing, a space maybe left out, or something is in the wrong place. To correct an error, refer to your DOS manual.

Problems with PostScript printing

SYMPTOM	PROBLEM	SOLUTION
You have a PS ERROR message on your printer display.	You have either turned off the printer while it was receiving data, or your printer's baud rate doesn't match the computer's baud rate.	<ol style="list-style-type: none">1. Check your interface and cable.2. Check your AUTOEXEC.BAT file for errors.3. Check your computer's baud rate.
An error message appears when you reboot the computer. After you copy the above Test.PS file to LPT1 or COM1, the message: Write fault error writing device Abort, Retry, Ignore, Fail? will appear.	You have entered the wrong MODE statement for your type of cable, or your MODE statement contains an error, or your cable is not attached to the correct connector.	<ol style="list-style-type: none">1. Check your interface and cable.2. Check your AUTOEXEC.BAT file for errors.
Your printer didn't print the Test.PS file and the DOS prompt (:) appears on the computer.	Your MODE statement redirects your data to the wrong port or your COM statements do not match.	Go back to section O and carefully re-enter the MODE statement(s) for your cable, checking to make sure each character is correct.

If you still need help...

Consult your *LaserJet III Si Printer User's Reference Manual*.

Call the HP dealer from whom you purchased your HP LaserJet III Si printer.



Enter your HP Dealer's telephone number here: _____

Notes