

HP High-Capacity Paper Feeder for the HP LaserJet 4Si, 4Si MX, and IISi

User's Guide



**HEWLETT
PACKARD**

**HP Part Number C2921-90004
Printed in USA**

HP Computer Museum
www.hpmuseum.net

For research and education purposes only.

NOTICE

HEWLETT-PACKARD MAKES NO WARRANTY OF ANY KIND WITH REGARD TO THIS MATERIAL, INCLUDING, BUT NOT LIMITED TO, THE IMPLIED WARRANTIES OF MERCHANTABILITY AND FITNESS FOR A PARTICULAR PURPOSE. Hewlett-Packard shall not be liable for errors contained herein or for incidental consequential damages in connection with the furnishing, performance, or use of this material.

This document contains proprietary information which is protected by copyright. All rights are reserved. No part of this document may be photocopied, reproduced, or translated to another language without the prior written consent of Hewlett-Packard Company.

The information contained in this document is subject to change without notice.

© Copyright 1992 Hewlett-Packard Company.

Printing History

First Edition — September 1993

Second Edition — November 1993

Contents

1.	Introduction	
	Features	1
	Check Your Paper Feeder Box Contents	1
2.	Installation	
	Printer Preparation	3
	Installing the Paper Feeder's Duplex Paper Guide	5
	Installing the Paper Feeder on Your Printer	6
	Attaching the Paper Feeder Power Adapter	7
3.	Loading Paper	
	Loading Paper	9
	Reloading or Adding More Paper	10
	Recommended Paper Guidelines	11
	Paper and Usages to Avoid	11
4.	Maintenance	
	Roller and Unit Cleaning	13
	Roller Replacement	14
5.	Troubleshooting	
	Problem Isolation	19
	Potential Problems	19
	No Power to Your Paper Feeder	19
	Paper Fed from the Paper Feeder Does Not Reach the Printer	20
	"LC Load A4" Error Message	20
	Misfeeds	21
	Printer Jams	21
	Printer Jam While Duplex Printing	22
	Warranty	23
	Warranty Exclusions	23
	Warranty Limitations	23
	Returns	23
	Available Replaceable Parts	24
	Customer Support	24
	Refer to the Manual	24
	Call Your Dealer	24
	Call Hewlett-Packard	24
	Other Support Services	24
6.	Product Specifications	25

Features

The HP Paper Feeder increases the paper capacity of the HP LaserJet 4Si, 4Si MX and IIISi printers to 2000 sheets. It accomplishes this by replacing the lower cassette tray on the printers. Its 1500 sheet capacity, in addition to the upper tray's 500 sheet capacity essentially doubles the paper available to these printers. The paper feeder provides the following features:

- Easy to install and operate
- Reduces frequency of filling paper trays
- Enables the upper cassette to be dedicated to specialized paper such as letterhead or transparencies

This guide provides operator procedures for:

- Installation
- Paper Loading
- Periodic Maintenance
- Troubleshooting
- Product Specifications

Checking Your Paper Feeder Box Contents

Check to make sure the following items have been included with your paper feeder as shown in Figure 1-1. If the paper feeder or any parts are damaged or missing, please contact your dealer or your nearest HP sales office.

1. Paper Feeder
2. Printer Pedestal
3. Power Adapter
4. Power Cord
5. Duplex Paper Guide

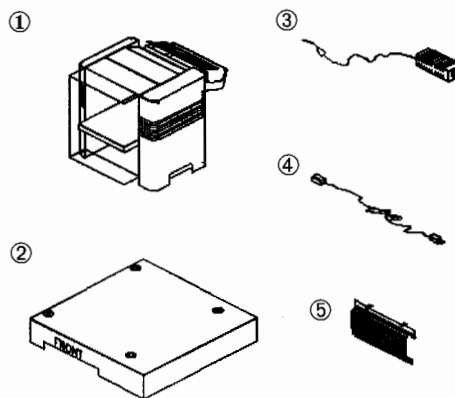


Figure 1-1. Paper Feeder Box Contents

Note *Do not dispose of the Paper Feeder's shipping box and packing materials. If a warranty claim is needed for your Paper Feeder, it may be required that it be returned in the original box and packaging materials to avoid any transit damage.*

Printer Preparation

The Paper Feeder requires a minimum of 12 in (30 cm) of tabletop space from the front (control panel side) of your printer. It is recommended that you allow 18 in (45 cm) for easy access to the Paper Feeder.

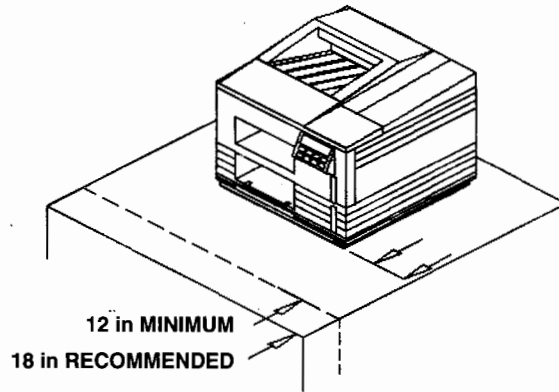
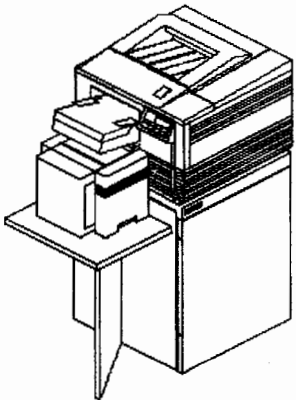


Figure 2-1. Space Needed for the Paper Feeder

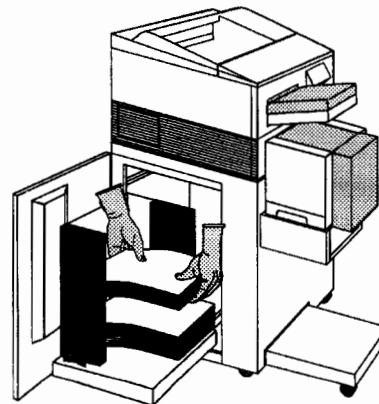
1. Turn off your printer.
2. Remove the printer's lower and upper paper tray.

The following printer preparation steps will require 3 people.

If you are using the HP LaserJet Cabinet (C2917A) or Output Stacker (C2801A) as shown below, do not use the Paper Feeder's printer Pedestal. Simply place the printer directly onto the Support Cabinet or Stacker and continue with the next section. Refer to the Support Cabinet or Output Stacker assembling information for further details.



Paper Feeder, Printer, and Support Cabinet



Feeder, Printer, and Stacker

3. With a person on each side of the printer, lift the printer so that it is held approximately 5 in (15 cm) above its current position.
4. A third person should position the Printer Pedestal directly beneath the printer's feet. Make sure that the side of the Printer Pedestal marked "Front" is below the paper tray/control panel side of the printer, such that each foot of the printer will sit in the circular foot holes of the Pedestal as shown in figure 2-2.

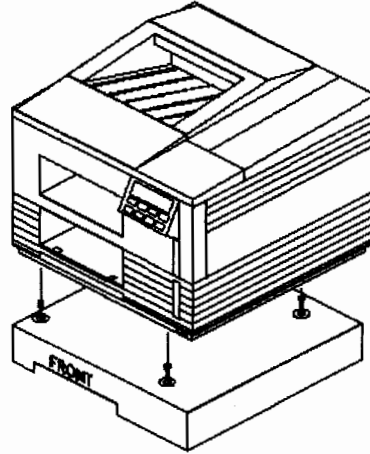


Figure 2-2. Placing the Pedestal under your Printer

5. Carefully lower the printer onto the Printer Pedestal, as shown in figure 2-3.

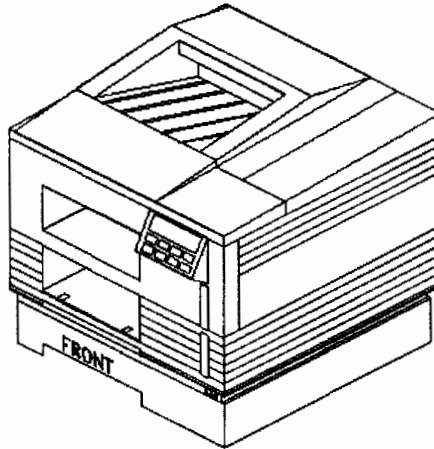


Figure 2-3. Printer Placement upon Pedestal

6. The printer should now be firmly seated upon the Printer Pedestal.

4 Installation

Installing the Paper Feeder's Duplex Paper Guide on Your Printer

Your HP LaserJet 4Si, 4Si MX and IIISi printers have available a duplexing option for double-sided printing, and the Paper Feeder supports this feature. The Duplex Paper Guide, included as a standard item, must be installed on your printer if you intend to use the printer's duplexing option.

1. With the upper and the lower cassette tray removed, locate the two slots at the front of the printer's lower paper tray opening, as shown in figure 2-4.
2. Insert the two mounting tabs of the Duplex Paper Guide into the two slots and slide the bottom lip of the Duplex Paper Guide into the opening at the base of the Printer Pedestal, as shown in figure 2-4.

Note *Prior to installing the Duplex Paper Guide, check the area beneath Printer Pedestal or the opening inside the Support Cabinet (into which the Duplex Paper Guide will protrude) to ensure that there are no obstructions. This area must have a "clear path" for the duplexing feature of your printer to operate properly with the Paper Feeder.*

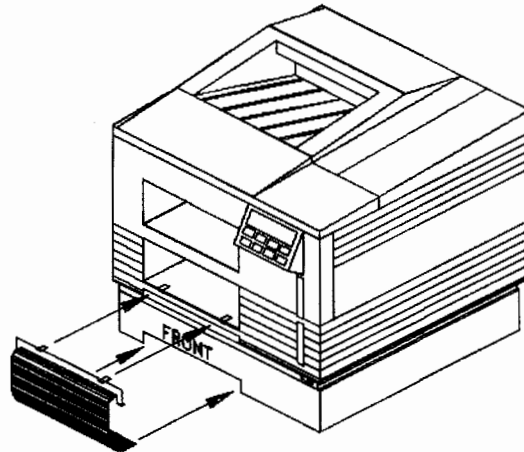


Figure 2-4. Installing the Duplex Paper Guide

3. Once the tabs of the Duplex Paper Guide are inserted into the printer's slots, it may be necessary to press downward to lock into place.
4. Installation of the Duplex Paper Guide is now complete.

Caution *Do not attempt to use the duplexing option of your HP 4Si, 4Si MX and IIISi printer with your Paper Feeder without installing the Duplex Paper Guide. Operation of the printer with the Paper Feeder without the Duplex Paper Guide will result in internal printer paper jams.*

Installing the Paper Feeder on Your Printer

1. Position the Paper Feeder directly in front of the printer's lower paper tray opening.
2. Grasp the Paper Feeder by the hand wells located at the base of each side of the unit. Align the Paper Feeder's "nosepiece" with the printer's lower paper tray opening and gently slide the Paper Feeder forward until it is firmly seated into the printer, as shown in figure 2-5 and 2-6.
3. Insert the upper paper tray into your printer.

Note *If it is necessary to remove your Paper Feeder from the printer, simply grasp the Paper Feeder at the hand wells, lift slightly, and gently pull the unit completely away from the printer.*

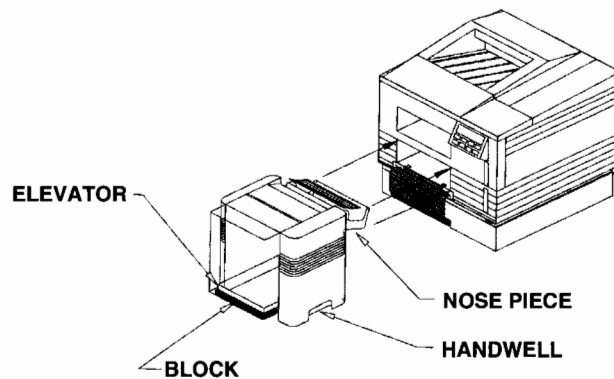


Figure 2-5. Guiding the Paper Feeder's Nosepiece into the printer.

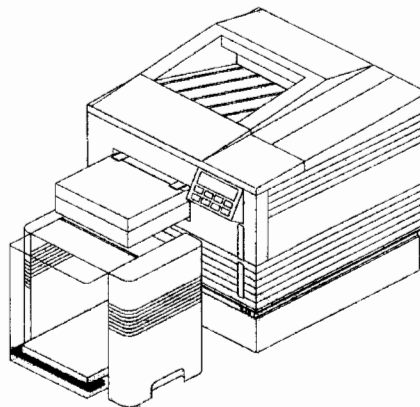


Figure 2-6. Complete Attachment of the Paper Feeder.

Attaching the Paper Feeder Power Adapter

Your Paper Feeder is shipped with the elevator platform lowered with a wood block underneath.

1. With the smoked plastic door facing you, locate the Power Socket (at the base of the right side cover) of the Paper Feeder, as shown in figure 2-7.

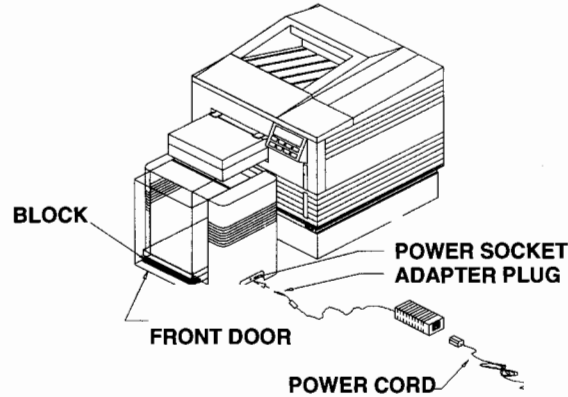


Figure 2-7. Attaching the power Adapter.

2. Insert the power Adapter's plug into the Socket.
3. Connect the Power Cord into the Power Adapter (IEC 320 standard power connection), then plug into wall outlet. With the door closed, this will raise the elevator from its lowered position.
4. Once the elevator is fully raised, remove the adapter plug from the paper feeder power socket open the door of the Paper Feeder, as shown in figure 2-8. The door will rest horizontally when in the fully opened position. Remove the wood block. Reinstall the adapter plug.

5. The elevator platform of the Paper Feeder will continue to lower, as shown in figure 2-8, until it then stops at the bottom position.

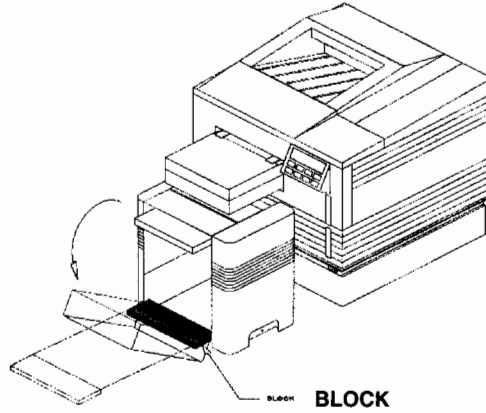


Figure 2-8. Opening the Paper Feeder's Rear Door

6. Turn on your printer. Proceed to "Loading Paper" section (chapter 3)

By opening the front door of the Paper Feeder, the elevator platform will lower to the bottom position and then stop. By closing the front door, the elevator platform will rise to its uppermost position.

Note *When the elevator platform reaches the uppermost position, the Paper Feeder will attempt to feed the top sheet of paper. If Paper has not been loaded in the Paper Feeder, or the last sheet of paper has been fed from the Paper Feeder (as a result of a print job), a normal vibration noise will result and the elevator platform automatically returns to the bottom position.*

Loading Paper

1. Open the door of the Paper Feeder. The elevator platform will lower and stop at the bottom position.
2. Up to 1,500 sheets of paper can be loaded in the Paper Feeder. Avoid bending, crinkling, or folding any sheets, especially when inserting one stack of paper on top of another.

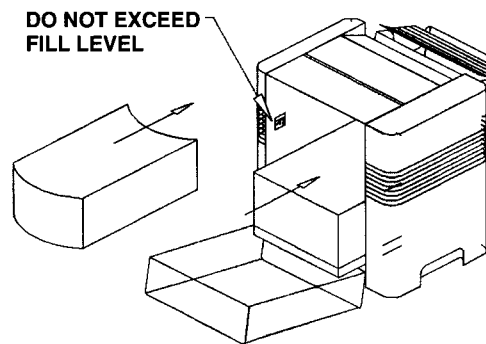


Figure 3-1. Loading Paper into the Paper Feeder.

After removing ream of paper from packaging, hold and cup paper prior to inserting as shown above.

3. Make sure that the paper is fully inserted into the Paper Feeder and is "square" with the front wall.

Caution *If paper is damaged upon insertion or if it is uneven between stacks when loaded, the Paper Feeder may misfeed. Please insert paper carefully to ensure the highest level of performance.*

4. Once paper loading is complete, simply close the door. This will cause the elevator platform of the Paper Feeder to rise to the top position. The Paper Feeder will automatically feed the first sheet of paper into your laser printer.

You are now ready to print.

Reloading or Adding More Paper

1. To reload or add more paper, simply open the door. This will cause the elevator platform of the Paper Feeder to lower to the bottom position.

Note *If the last sheet of paper has been fed from the Paper Feeder (as a result of a print job), The elevator platform will return automatically to the bottom position. This prepares the Paper Feeder for reloading.*

2. **If there is a partial stack of paper remaining in the Paper Feeder, be sure to remove the sheet that is partially fed into the printer and then remove stack of any remaining paper in the feeder.**
3. Load additional paper as described in "Loading Paper" above. To avoid paper feeding problems with your Paper Feeder, use the same type of paper within each load (do not mix different paper weights or finishes). Remove and replace old paper on top of the new paper just inserted into the feeder. For highest level of performance old paper should always be stacked on top of new.
4. Close the Paper Feeder door.
5. Place printer online (if it is offline).

Recommended Paper Specifications

Table 3-2 summarizes the specification for paper recommended for use in your HP Paper Feeder.

Table 3-2. Paper Specifications

Acid Content	5.5 pH Minimum
Ash Content	Not to Exceed 10%
Basis Weight	16 to 24 lb. (60 to 90 gm.)
Brightness	83% minimum
Caliper	3.0 to 7.0 mils (0.094 to 0.18 mm)
Curl	Inream: flat witin 0.125 in. (3.125 mm)
Cut Edge Conditions	Cut with sharp blades, no visible fray
Finishing	Cut sheet to within ± 0.03 in. (0.8 of nominal, ± 0.2 degrees square)
Furnish (Fiber Composition)	No cotton content
Grain	Long grain
Moisture Content	4% to 6% by weight
Opacity	85% minimum
Packaging	Moisture proof ream wrap
Smoothness	100 to 250 (Sheffield)

Paper and usages to avoid

- paper previously fed through a laser printer or copier
- creased, wavy, or curled paper (paper flatness not to exceed 0.125 in. or 3.2 mm maximum total curl)
- a mix of different paper types or weights
- reams of paper with edges or corners folded or bonded
- damaged, clipped, windowed, or torn paper
- paper exposed to adverse temperature or humidity
- paper with special coating (clay, wax, varnish, thermal, etc)
- vellum, translucent, or carbonless copy paper
- embossed, rough-textured, or relief paper
- multipart forms or preprinted forms requiring critical registration
- media using peel-off, pressure-sensitive labels
- paper that has been shrink-wrapped in plastic
- paper with cutouts or perforations
- paper that does not conform to the above Paper Feeder's specifications

Note *If you experience misfeeds or jams in your Paper Feeder, please refer to "Troubleshooting" (Chapter 5).*

The Paper Feeder is designed to require very low maintenance. The following is the only customer maintenance required:

- Clean the Paper Feeder and its two feed rollers once per month
- Replace the two feed rollers every 200,000 pages

Roller and Unit Cleaning (Once per month)

1. Remove the printer's upper tray, if installed.
2. Open the smoked plastic door of your feeder; once the elevator platform stops at the bottom position, remove any paper that has been loaded.
3. Close the feeder door. The elevator platform will begin to rise.
4. When the elevator platform is approximately half-way to its uppermost position, disconnect the Adapter Plug from your Paper Feeder.
5. Open the feeder door.
6. Lift the black top cover of the Paper Feeder to expose the unit's feed roller assembly, as shown in figure 4-1a.

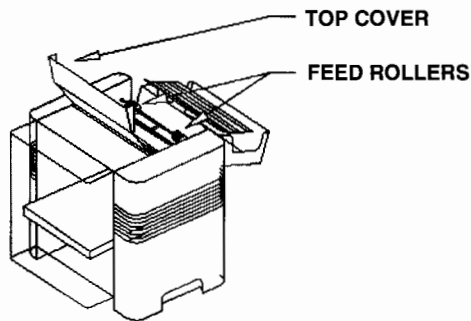


Figure 4-1a. Top Cover and Feed Rollers.

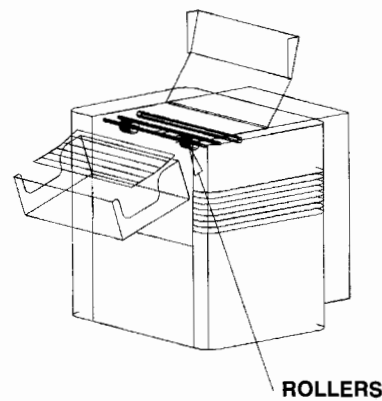


Figure 4-1b. Feeder Nosepiece Facing Towards User.

7. Gently wipe the rubber feed roller surfaces (both left and right rollers) with a clean, lint-free cloth dampened with soap and water. This cleaning process will remove any dust, dirt, or contaminants, which causes reduced performance.

8. Wipe the interior of your feeder with a clean, lint-free cloth to minimize any paper dust.
9. Re-insert your paper and close the door of the Paper Feeder.
10. Re-insert your printer's upper paper tray.
11. Re-attach the Adapter Plug to your Paper Feeder.

Roller Replacement (Every 200,000 Sheets)

Replacement of the Paper Feeder's rubber feed rollers should be performed every 200,000 sheets fed. The roller kit (HP p/n 5181-8708) can be ordered from your dealer or from your nearest HP Office.

Note *The following are possible signs of rollers that have excessive wear and may need replacement:*

- *The Paper Feeder does not feed a sheet of paper or only partially feeds a sheet of paper. Roller mark or residue left on the top sheet of paper, or both.*
- *The feed roller marks appear shiny or glossy.*

1. Open the Paper Feeder door; the tray will lower to the bottom position.
2. Disconnect the Adapter Plug from your Paper Feeder.
3. Close the feeder door and remove the Paper Feeder from your printer; position the Paper Feeder so that the unit's "nosepiece" (normally inserted into the printer) is facing towards you (see Fig. 4-1b).
4. In your Roller Replacement Kit, locate the two replacement rollers. These rollers are identified as shown in figure 4-2.
 - roller-left: arrow mark on inner hub
 - roller-right: no mark on inner hub

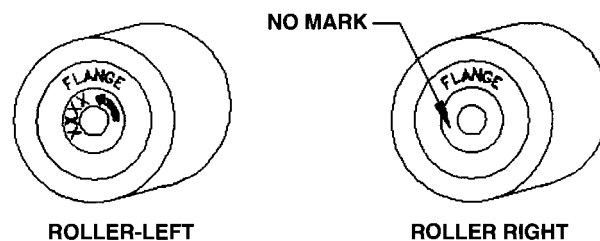


Figure 4-2. Identifying New Left and Right Rollers

5. With the Paper Feeder nosepiece facing you, lift the black top cover of the Paper Feeder to expose the unit's feed roller assembly (refer to figure 4-1b). Locate the following components that will be removed during the roller replacement process, as identified in figure 4-3.

- blue retainers (quantity: 2)
- rubber roller-left
- rubber roller-right

Also, locate the following components, as identified in figure 4-3, which are referenced, but not removed, during the roller replacement process:

- Arm A
- Arm B
- Shaft 1
- Drive Chain

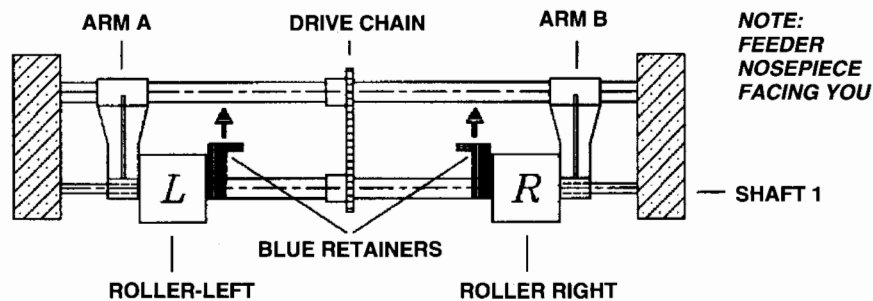


Figure 4-3. Roller Assembly Reference.

Caution *Do not disconnect the Drive Chain at any time during the roller replacement process.*

6. Remove each blue retainer on Shaft 1 by firmly grasping and pulling upward, as shown in figure 4-3.

Once removed, note the groove that each blue retainer occupied, as you will be reattaching these blue retainers at the end of this process.

7. Slide Shaft 1 to the right (away from Arm A and through Arm B) to disengage from Arm A, as shown in figure 4-4.

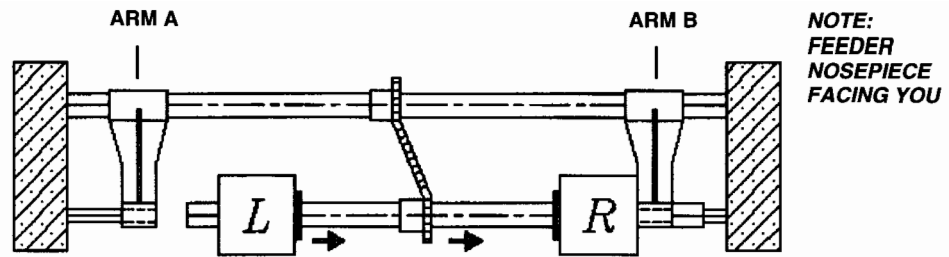


Figure 4-4. Sliding Shaft 1 to Disengage Arm A.

8. Remove the Roller-left and replace it with the new matching Roller-left from your Roller Replacement Kit, as shown in figure 4-5.

The flange of Roller-left (marked "FLANGE") must be on the Drive Chain (inward) side of the roller.

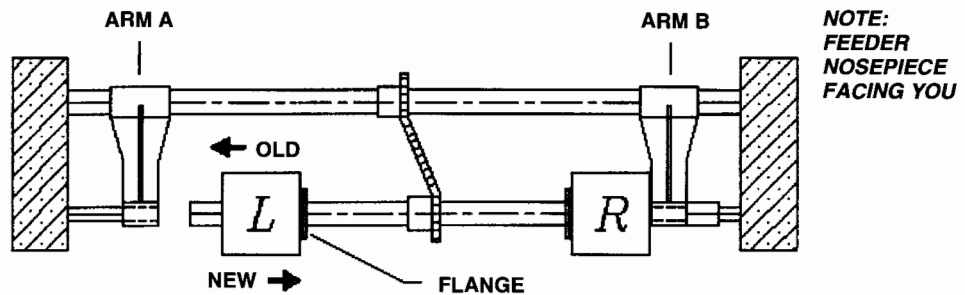


Figure 4-5. Roller-left Replacement

9. Slide the end of the Shaft 1 back into Arm A; once inserted into Arm A, carefully continue sliding Shaft 1 to the left (through Arm A and away from Arm B) to disengage from Arm B, as shown in figure 4-6.

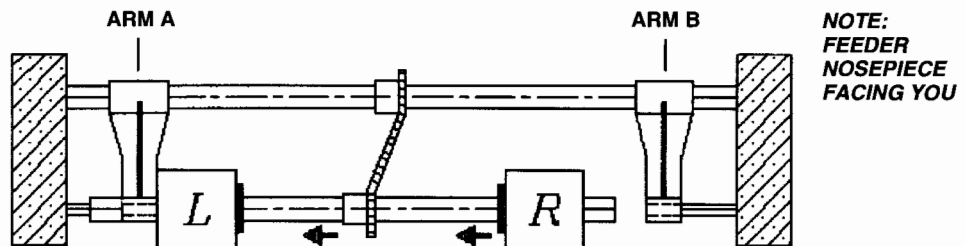


Figure 4-6. Sliding Shaft 1 into Arm A

10. Remove the Roller-right and replace it with the new matching Roller-right from your Roller Replacement Kit, as shown in figure 4-7.

The flange of Roller-right (marked "FLANGE") must be on the Drive Chain (inward) side of the roller.

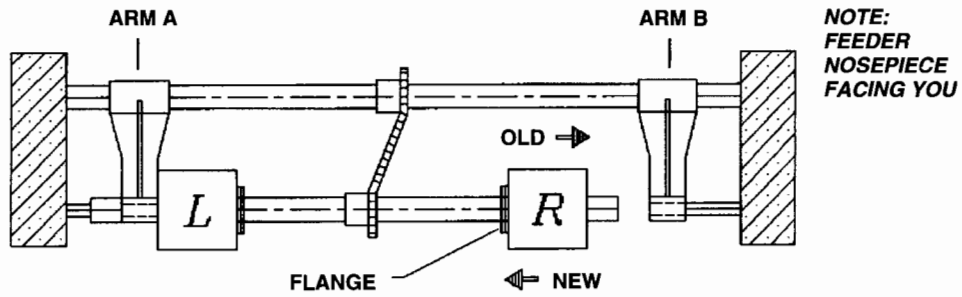


Figure 4-7. Roller-right Replacement

11. Slide the end of Shaft 1 back into Arm B; adjust so that Shaft 1 is evenly positioned between Arm A and Arm B (as originally found).
12. Position rollers against respective arms, and reattach the blue retainers by firmly pressing into the grooves on Shaft 1, as shown in figure 4-8.

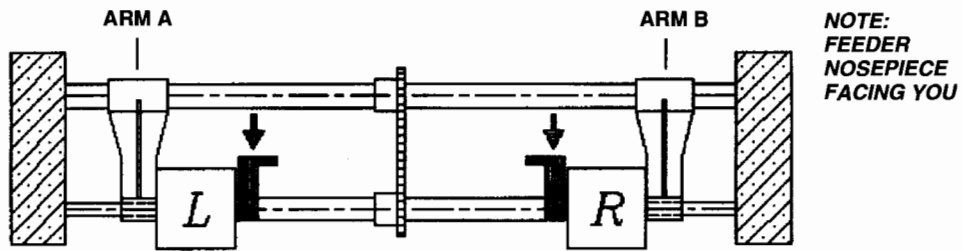


Figure 4-8. Reattaching the Blue Retainers.

13. Roller replacement is now complete. Close the top cover and reinstall the Paper Feeder onto your printer, as described in "Installing the Paper Feeder" (Chapter 2).

Problem Isolation

If you experience printer jams or other types of problems, perform the following steps to determine whether the problem is with your Paper Feeder or with your printer.

1. Remove the Paper Feeder from your printer.
2. Turn your printer off.
3. Insert the standard paper cassette into the lower paper tray opening of your printer.
4. Turn on your printer.
5. Run the printer self-test.
6. Reprint your previous print job.

If the problem persists with the standard paper tray in your printer, refer to your LaserJet 4Si, 4Si MX, and IIISi User's Manual or Operator's Guide.

If the problems disappear, it can be considered Paper Feeder related. Continue to review this chapter of the User's Guide or contact your dealer, or HP technician for support.

Potential Problems

Operating difficulties with your Paper Feeder could have various causes, such as improper paper loading, installation errors or they can be an indication that periodic user maintenance is needed (See Chapter 4). The following section will help you isolate and identify the causes of operating difficulties.

No Power to Your Paper Feeder

Upon installation of your Paper Feeder, or at any time during operation, if the following occurs:

- The elevator platform will not raise or lower when closing and opening the rear door
- The feed rollers will not turn to advance a sheet of paper when required

perform these procedures:

1. Verify that the power Adapter's plug is firmly inserted into the Paper Feeder.
2. Verify that the Power Adapter is plugged into a wall outlet.
3. Verify that the wall outlet has power.
4. If you continue to experience this problem, call your dealer or Hewlett-Packard service technician for assistance.

Paper Fed from the Paper Feeder Does Not Reach the Printer

An “LC Load letter (or A4)” message will be displayed on the front panel of your printer when either:

- The Paper Feeder has not fed a sheet of paper to the printer.
- The Paper Feeder has partially fed a sheet of paper to the printer, such that the printer does not detect that sheet.

If either of the above conditions occur, marks or residue left from an unsuccessful turning of the rollers may be visible on the top sheet of paper. Perform the following:

1. Open the door of the Paper Feeder (the elevator will lower).
2. Remove the top sheet of paper from the paper stack, or the sheet that has been partially fed towards the printer.
3. Open top cover of the feeder and clean the rubber feed rollers. Refer to “Roller and Unit Cleaning” for this procedure (See Chapter 4).
4. Inspect the feed rollers to determine if wear which could cause a “no feed” is evident. Refer to “Roller Replacement” for this procedure. If necessary, install new feed rollers (See Chapter 4).
5. Close the top cover and door of the Paper Feeder and resume printing.
6. Clean or replace printer rollers if necessary. (Refer to “LaserJet 4Si, 4Si MX, and III Si Users Manual”.

Note *The Paper Feeder is designed to lower the elevator platform to the bottom position when it is empty or when a sheet may have been improperly fed to the nosepiece. By opening and closing the rear door of the Paper Feeder, the elevator platform will move back to the uppermost position.*

If the elevator platform has lowered to the bottom position while paper is still loaded in your Paper Feeder, make sure that both the paper stack on the elevator platform and the sheet of paper that has been partially fed to the printer are undamaged prior to opening and closing feeder door.

“LC Load Letter (or A4)” Printer Does Not Detect Your Paper Feeder

If the “LC Load Letter (or A4)” message is displayed on the front panel of your printer after the Paper Feeder has properly fed a sheet of paper forward to the printer, do the following:

1. Remove the Paper Feeder from the printer.
2. Power the printer off.

3. Reinstall the Paper Feeder.
4. Open the door of the Paper Feeder; (the elevator will lower).
5. Remove the sheet of paper that has been fed to the printer.
6. Close the door of the Paper Feeder. This will raise the paper stack and feed the top sheet into the printer.
7. Power the printer on.

Misfeeds

A misfeed occurs when a sheet being fed by the Paper Feeder does not properly reach the printer. This may result in “Load Letter (or A4)” or “13.2 Input Jam” displays in the front panel of your printer.

If a misfeed occurs in your Paper Feeder, the following procedures should be performed:

1. Open the door of the Paper Feeder. This will lower the paper stack (if the elevator platform has not yet lowered automatically).
2. Remove the sheet of paper that is partially fed toward the printer.
3. Make sure that the paper remaining in the Paper Feeder is undamaged, fully inserted, and “square” with the front wall.
4. Close the rear door. This will raise the paper stack and feed the top sheet into the printer.
5. Continue printing.

Note *If misfeeds occur frequently, please verify the following:*

- *The Paper Feeder is properly installed. Improper mounting may cause the Paper Feeder to misfeed (Refer to Chapter 2).*
- *The paper stack is properly loaded (Refer to Chapter 3).*
- *You are using a suitable paper type (Refer to Chapter 3).*
- *Paper Feeder rollers are clean and free of dust, grime, or dirt (Refer to Chapter 4)*
- *Printer rollers are clean and have been replaced every 200,000 sheets (as recommended in Printer User’s Manual).*

Printer Jams

“13.2 Input Jam,” “13.1 Internal Jam”, or “13.4 Output Jam” may display on the printer’s front panel when paper causes the printer to jam.

Follow the procedures outlined in your HP LaserJet 4Si, 4Si MX, and IISi Printer User’s Reference Manual to remove paper jams from the printer.

After removing the paper jam and prior to closing the top cover of your printer:

1. Open the door of the Paper Feeder. This will lower the paper stack.
2. Remove the top sheet that has been partially fed into the printer.
3. Make sure that the paper remaining in the Paper Feeder is fully inserted and “square” with the front wall.
4. Close the door of the Paper Feeder. This will raise the paper stack and feed the top sheet into the printer.
5. Close the top cover of the printer.
6. Continue printing.

Printer Jam While Duplex Printing

If printer jams occur when printing in the duplex printing mode after installation of the Paper Feeder (a “13.3 Duplex Jam” may be displayed on the front panel of your printer), clear the paper jam from your printer and do the following:

1. Remove the Paper Feeder and the Duplex Paper Guide from your printer.
2. Insert the HP LaserJet 4Si, 4Si MX, and IIISi standard paper Cassette into the lower paper tray opening of your printer.
3. Run the printer self-test.
4. Reprint your previous job.

If the problem persists with the standard paper tray in your printer, refer to your HP LaserJet 4Si, 4Si MX, and IIISi User’s Reference Manual and Operator’s Guide.

If the problem disappears, it can be considered Paper Feeder related. If so, take the following steps:

1. Review the section “Installing Duplex Paper Guide (Chapter 2),” of this User’s Guide to ensure that the Duplex Paper Guide provided with the Paper Feeder is properly installed.
2. Check area beneath Printer Pedestal (which the Duplex Paper Guide protrudes into) to ensure that there are no obstructions. This area must have a “clear path” for the duplexing feature of your printer to operate properly with the Paper Feeder.
3. If problem persists call your dealer or HP technician for support.

22 Troubleshooting

Warranty

Hewlett-Packard warrants the HP LaserJet 4Si, 4Si MX, and IIISi Paper Feeder against defects in material and workmanship for one year from receipt by the customer. During the warranty period, Hewlett-Packard will, at its option, repair or replace the unit.

Warranty Exclusions

The warranty on your HP LaserJet 4Si, 4Si MX, and IIISi Paper Feeder does not apply to defects resulting from:

- Improper or inadequate maintenance by customer.
- Customer supplied software or interfacing.
- Unauthorized modification or misuse.
- Operation outside of the environmental specifications for the HP LaserJet 4Si, 4Si MX, and IIISi printer.
- Improper site preparation and maintenance.
- Failure to perform key printer operator maintenance every 200,000 pages.
- Use of non-supported paper.

Warranty Limitations

Hewlett-Packard makes no other warranty, whether written or oral, expressed or implied, with respect to the paper feeder. Hewlett-Packard specifically disclaims the implied warranties of merchantability and fitness for a particular purpose.

Some states or provinces do not allow limitations on how long an implied warranty lasts, so the above limitations or exclusions may not apply to you. However, any implied warranty of merchantability or fitness is limited to the one year duration of this written warranty.

Returns

If the HP LaserJet 4Si, 4Si MX, IIISi Paper Feeder (HP p/n C2921A or C2920A) fails within the warranty period, contact the place you bought it for repair or replacement. Be sure to have a copy of your purchase receipt. If returning feeder:

- Package it in the same carton as the replacement unit.
- Include a copy of the purchase receipt and attach it to the returned unit.
- Write a brief explanation of the problem and place it inside the package with the unit.

Available User Replaceable Parts

The following user installable replacement parts are available from Hewlett-Packard:

Part Number 5181-8709	Duplex Paper Guide
Part Number 5181-8708	Roller Replacement Kit
Part Number 5042-0301	Power Adapter
Part Number 5181-8710	Printer Pedestal
Part Number C2920-90004	User's Guide

Customer Support

Hewlett-Packard offers the support services listed below. To troubleshoot your paper feeder, first, refer to your Chapter 4; next, call your dealer; then call the Hewlett-Packard Customer Support Center.

Refer to the Manuals

This manual provides the information you need to set up, use, and troubleshoot the paper feeder on your own. Follow this manual first to find answers to your questions before calling your dealer or the Hewlett-Packard Customer Support Center.

Call Your Dealer

If you are unable to find what you need in this user's guide, call the dealer from whom you purchased the paper feeder. Your dealer understands your equipment and can help you solve most problems.

Call Hewlett-Packard Customer Support Center

If a dealer cannot help you, call Hewlett-Packard's Customer Support Center. This option connects you to a group of support personnel in Boise, Idaho, who can answer questions about your HP LaserJet 4Si, 4Si MX, and IIISi Printer and Paper Feeder. Call 1-208-323-2551, Monday through Friday from 7 AM to 6 PM, Mountain Time (Wednesday 7 AM to 4 PM).

Before you call, however, make sure you referenced your user's guide for answers to your questions or ask your dealer for help. If you call the assist line, please have the model number of your equipment handy. Also, if possible, call from a phone close to your equipment as you may need to operate your equipment while talking with assist line personnel.

HP High-capacity Paper Feeder

Paper Capacity:	1,500 sheets
Paper Size:	(8.5 in x 11 in 210 mm x 297 mm, A4)
Paper Weights:	(16 to 24 lb. 60-90 grams per square meter)
Paper Flatness:	(.125 in. 3.2 mm) maximum total curl
Power:	100-240VAC, 50-60 Hz
Unit Dimension (HxWxD):	(10.5 in x 13.0 in x 13.8 in 28 cm x 31 cm x 28 cm from printer)
Weight Tray Only:	(13 lbs 5.9 kg (13 pounds))
Operating Environment:	The Paper Feeder must be in the operating environment a minimum of 30 minutes prior to operation.
Temperature:	+10° C to +32.5° C
Humidity:	20% to 80% relative, non-condensing
Regulatory:	TUV: S 9172492 CSA: LR65658 UL: E104914

Note: *Paper not recommended for multipart forms or preprinted forms requiring critical registration. See page 11 for complete paper specifications.*
