

---

# LaserJet III<sup>®</sup> Printer Getting Started Guide



33481-90933  
Edition 1  
E0591  
Printed in Germany 5/91

**HP Computer Museum**  
**[www.hpmuseum.net](http://www.hpmuseum.net)**

**For research and education purposes only.**

# A

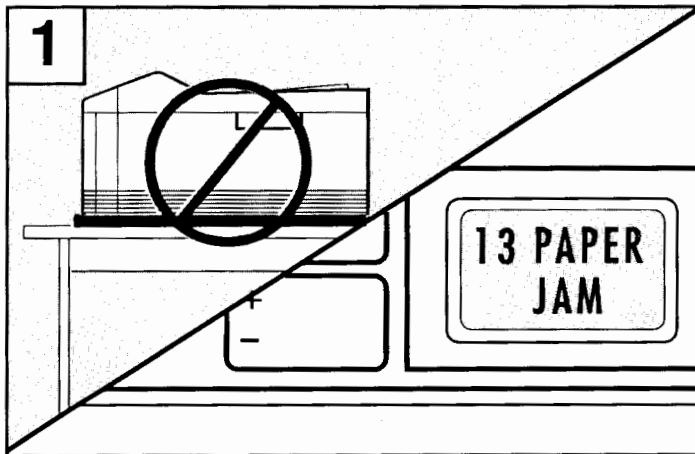
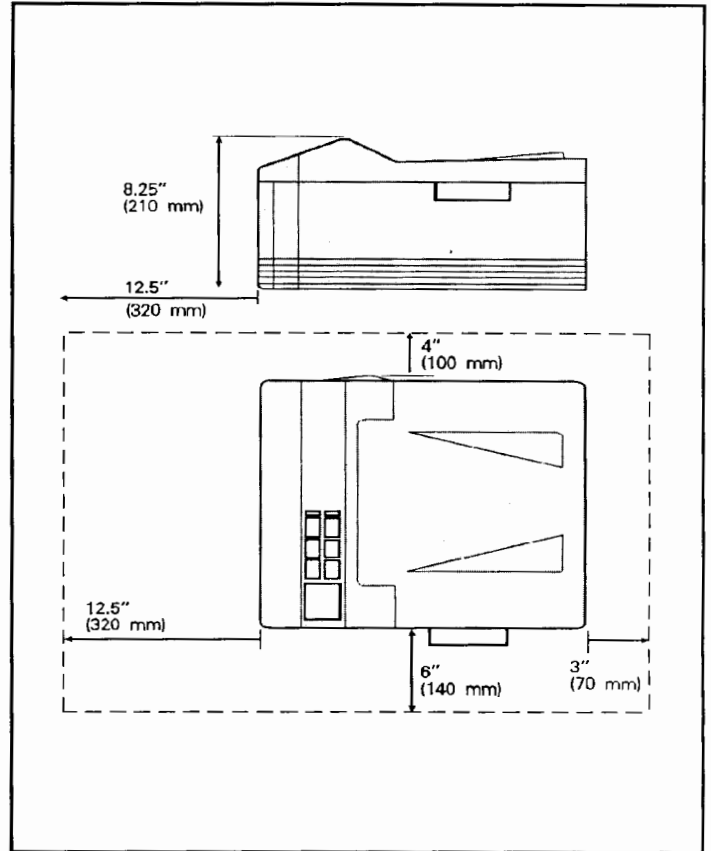
## Prepare a Location for the Printer

Your location requirements are:

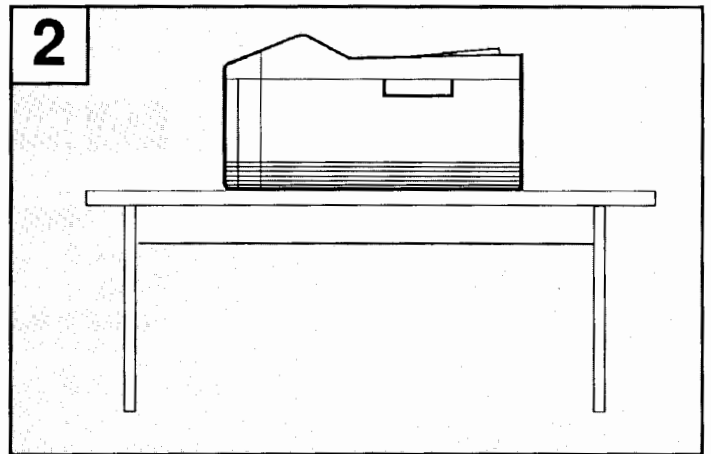
- a sturdy, level surface the size of the printer and clearance as shown at right.
- the temperature is maintained between 50° and 90.5° F (10° to 32.5° C).
- relative humidity stays between 20% and 80%.
- a stable environment - no abrupt temperature or humidity changes.
- no exposure to direct sunlight or chemicals.
- line voltage varies no more than 220 to 240V  $\pm$  10%.
- a well-ventilated room.

### Note

Make sure that the printer is placed on a hard and flat surface to prevent frequent paper jams.



Do not place on a pad or carpet, otherwise paper jams may occur.



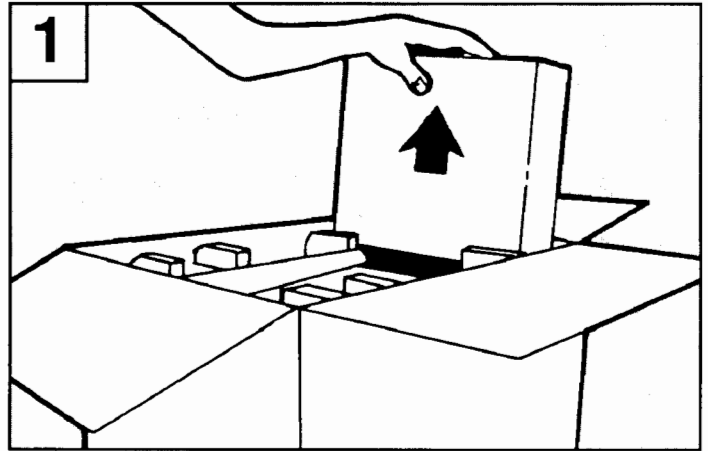
Place on a hard, flat surface for reliable performance.

# Unpack Your Printer

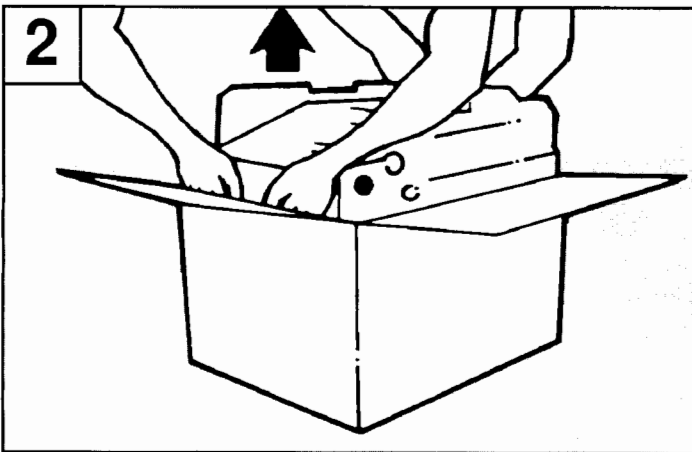
# B

## Caution

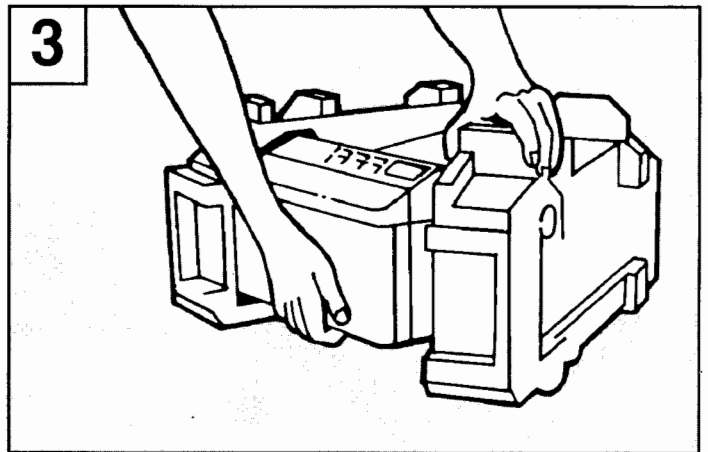
The printer weighs approximately 25 pounds (11.3 kilograms). We recommend that you have someone help you unpack it.



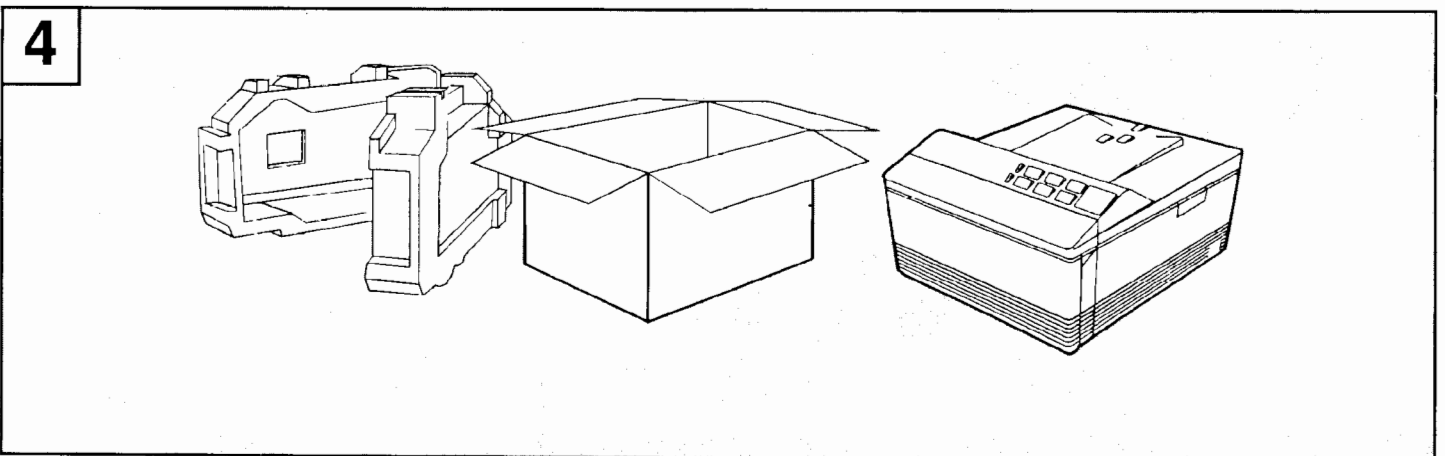
Remove the accessories box.



With help, remove the printer from its box.



Remove the packing material from the printer.



Save the packing materials for repackaging or shipping the printer.

# C

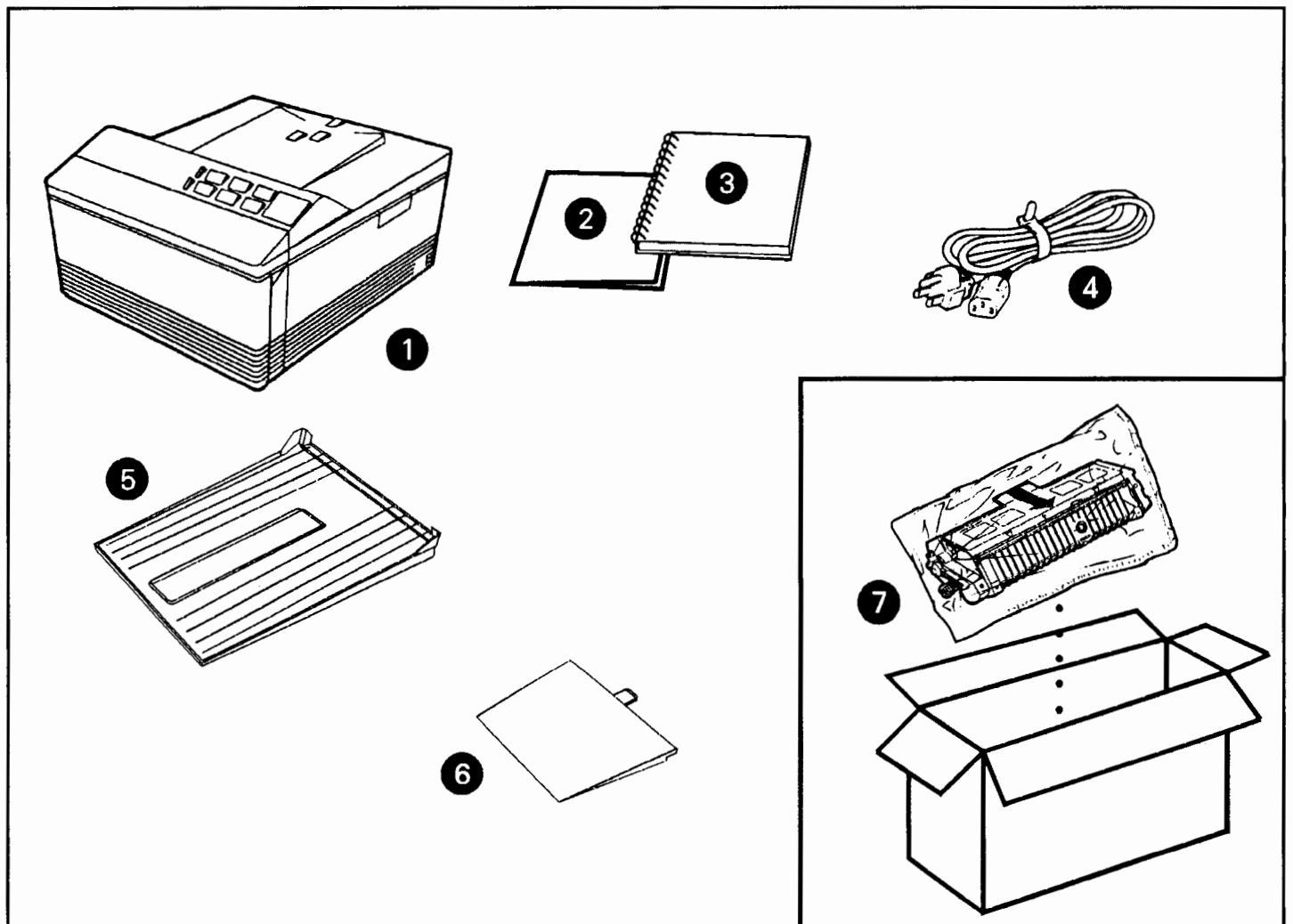
## Locate the Package Contents

Locate each item listed below:

- 1. LaserJet IIIP printer
- 2. *User's Quick Reference Guide*
- 3. *LaserJet IIIP Printer User's Manual*
- 4. Power cord
- 5. Front output tray
- 6. Enhanced Multi-Purpose (MP) tray extender
- 7. Toner (EP-L) Cartridge (packaged separately)

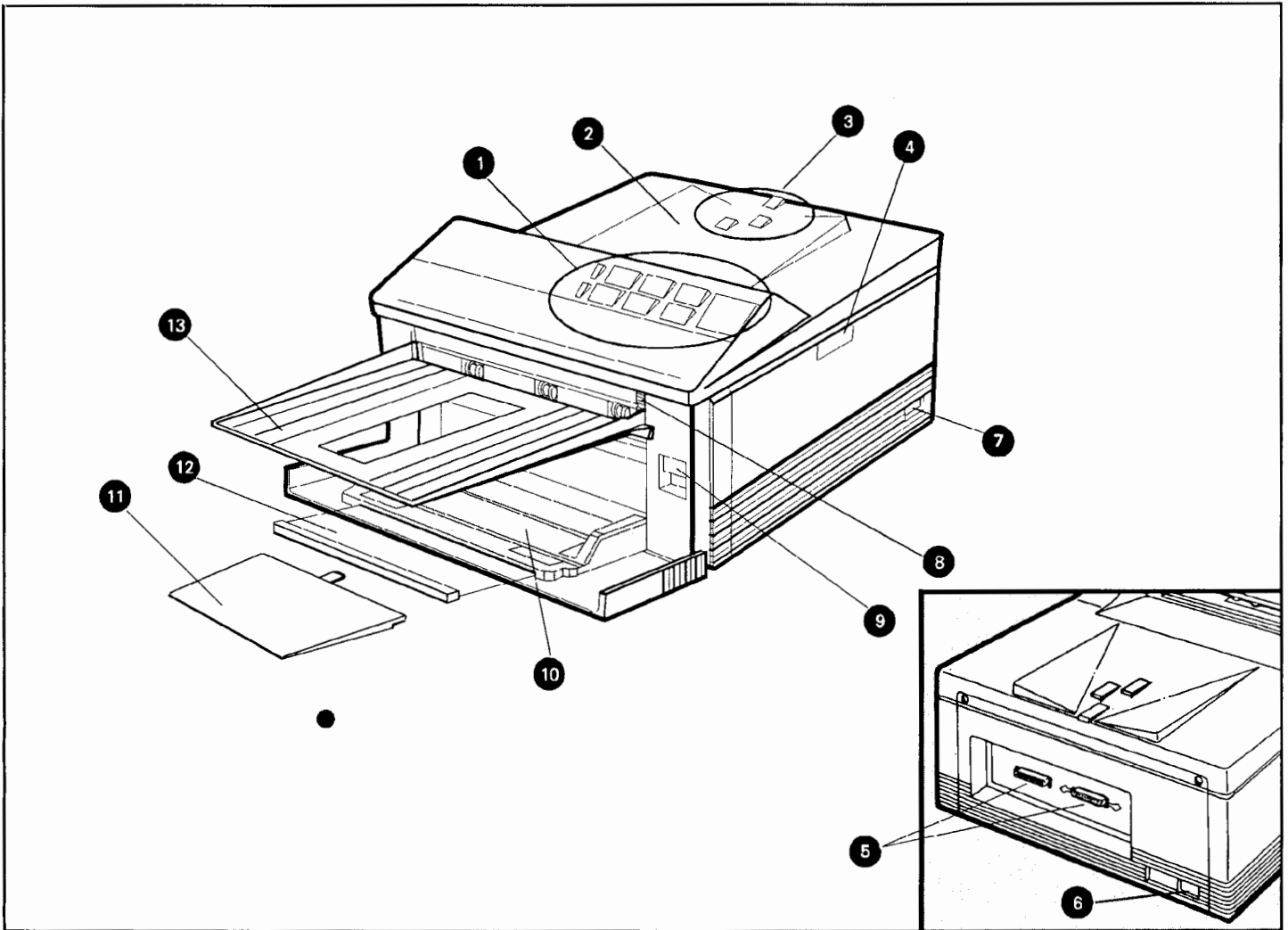
Interface cables are sold separately.

\*\*\*Notify your Hewlett-Packard Dealer immediately if any parts are missing or damaged\*\*\*



# Identify Printer Parts

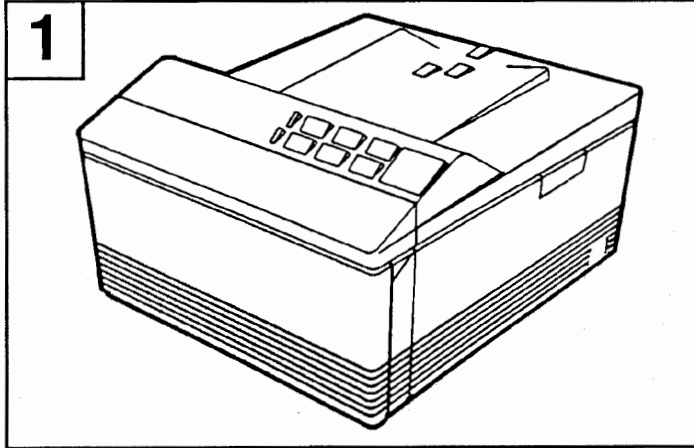
# D



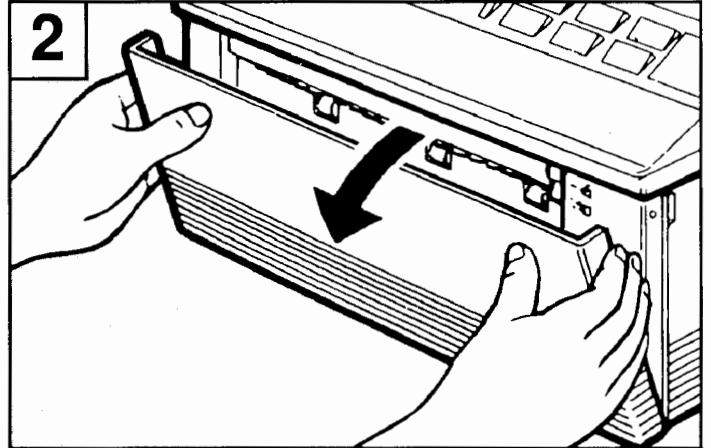
1. Control panel
2. Top output tray
3. Paper stops
4. Font cartridge door
5. Interface ports (serial and parallel)
6. Power cord receptacle
7. ON/OFF power switch
8. Output tray selector button
9. Paper path door release button
10. Multi-Purpose (MP) tray
11. Enhanced MP tray extender
12. MP tray extender
13. Front output tray

# E

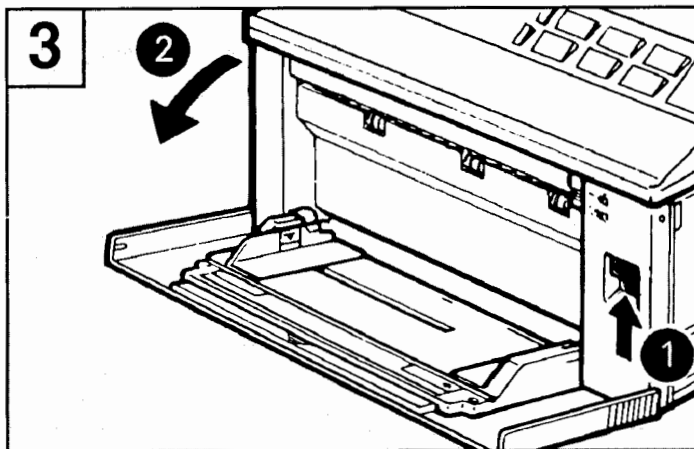
## Remove Internal Packing Material



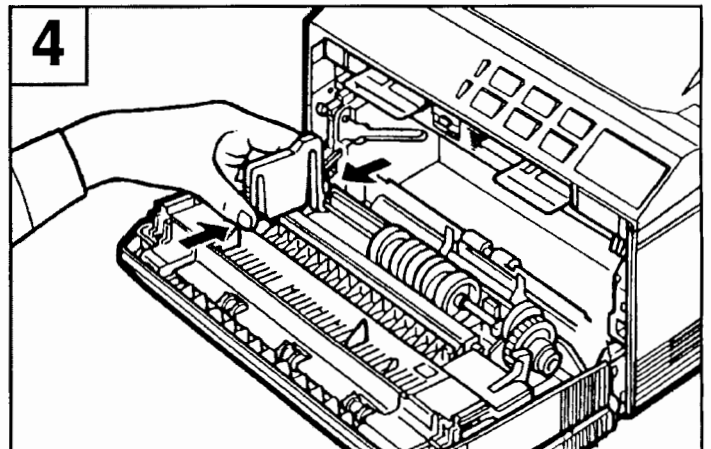
Locate the Multi-Purpose (MP) tray.



Open the MP tray by pulling down.



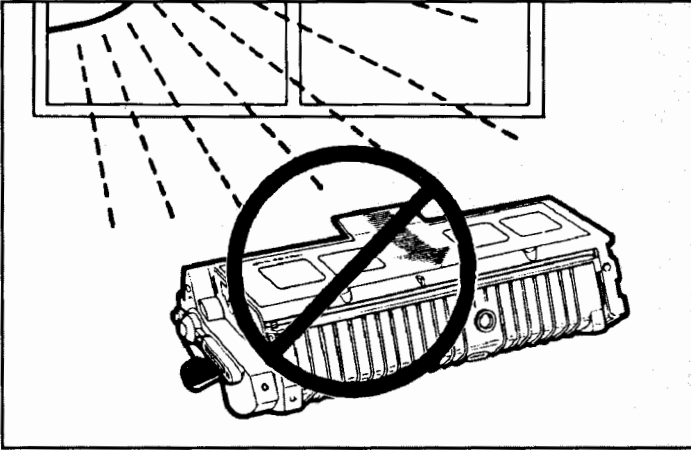
Push up the release button (1) to open the paper path door (2).



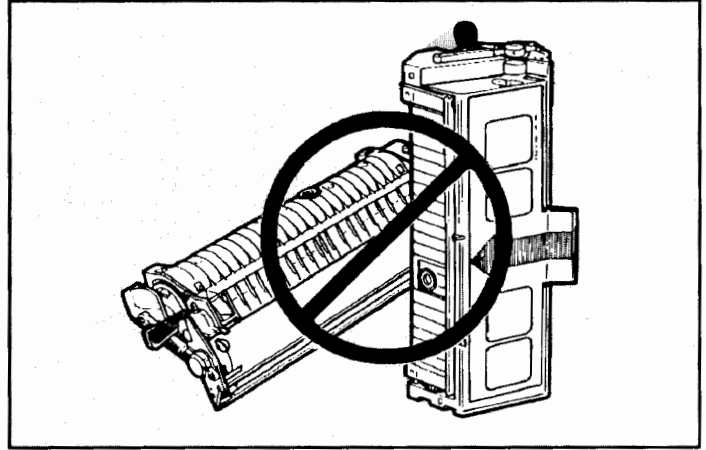
Squeeze and remove the orange packing spacer from inside the printer. Save the packing spacer for possible future shipping.

# Unpack the Toner Cartridge

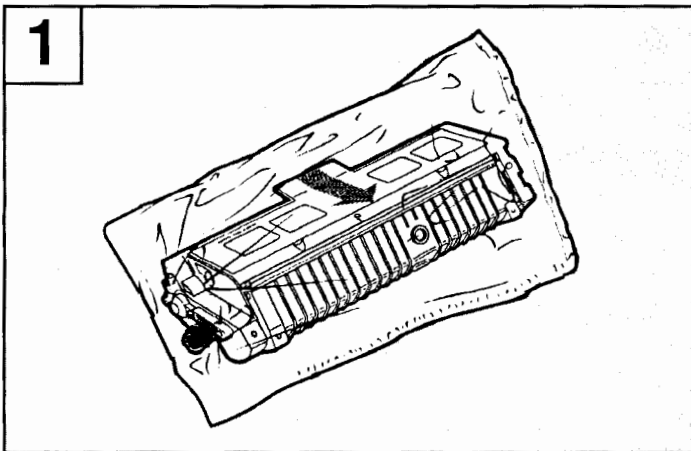
# F



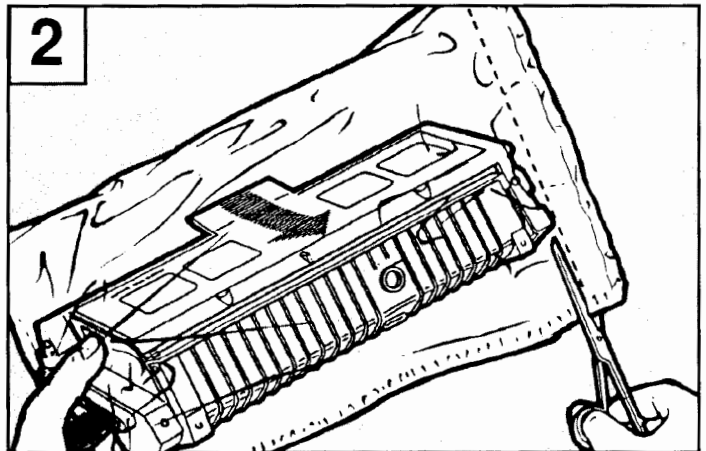
**CAUTION:** Do not expose the cartridge to direct sunlight. Do not expose it to room light for more than a few minutes.



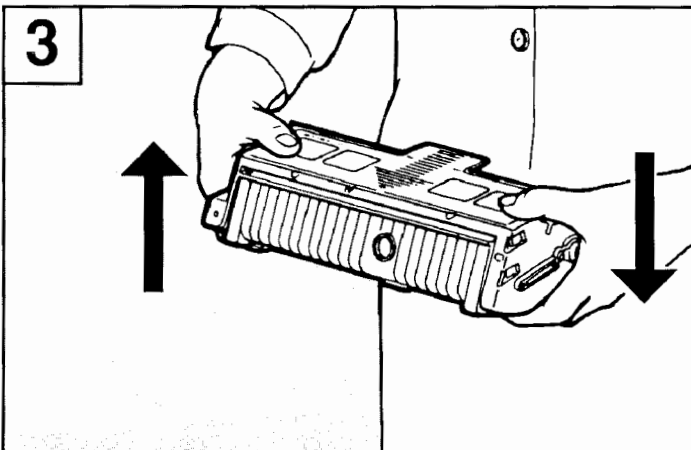
**CAUTION:** Do not stand cartridge on end or turn it upside down after it has been unpacked.



1  
Locate the toner (EP-L) cartridge. It is in a separate box.



2  
Remove the cartridge from its bag. Save the bag for possible storage.

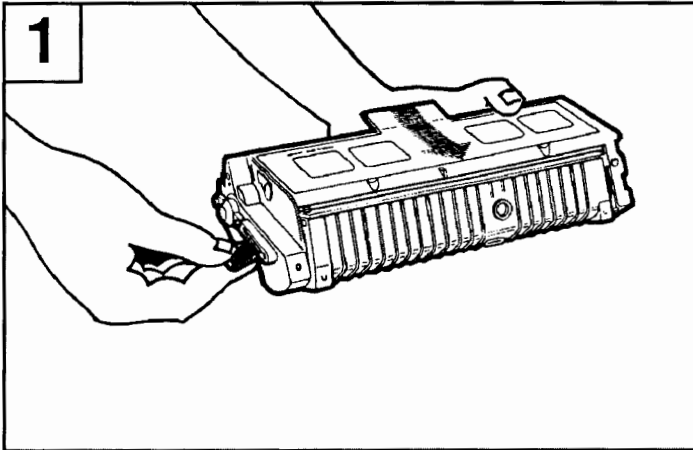


3  
Rock the cartridge slowly from end to end 5 times to distribute the toner.

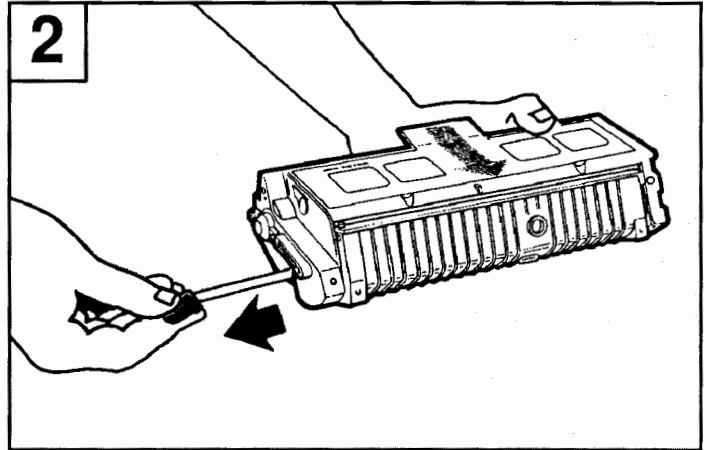


# G

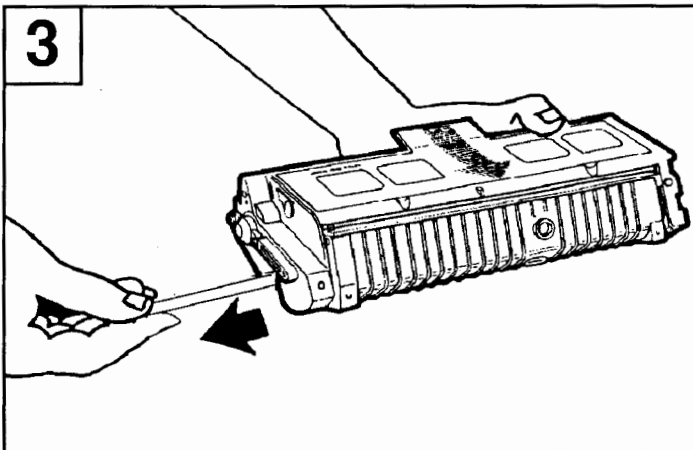
## Install the Toner Cartridge



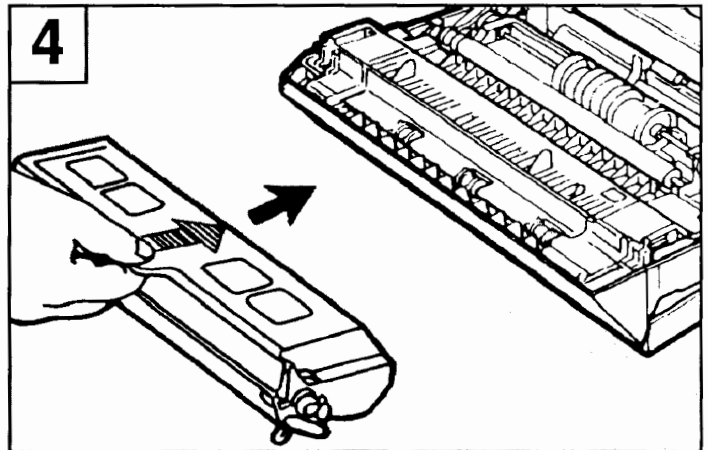
Firmly grasp the orange tab on the side of the cartridge.



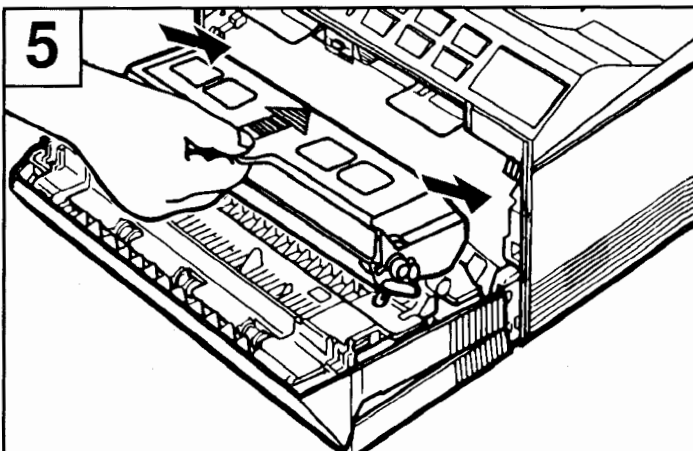
Pull firmly to remove the 18 inches (45.7 cm) long strip of sealing tape. Discard the tape.



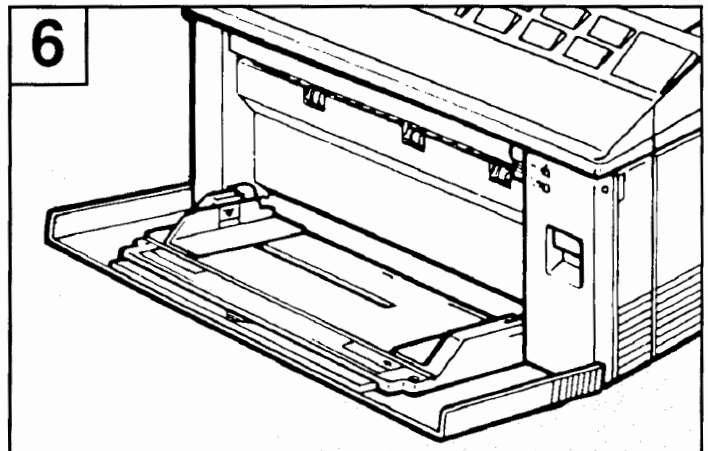
If the tab separates from the tape, pull the tape out.



Hold the cartridge with the green arrow pointing toward the printer.



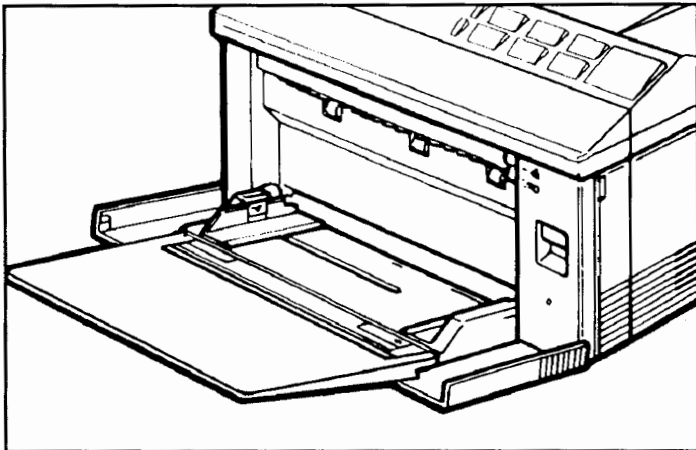
Holding the tab, line up the green arrows and slide the cartridge down into the printer.



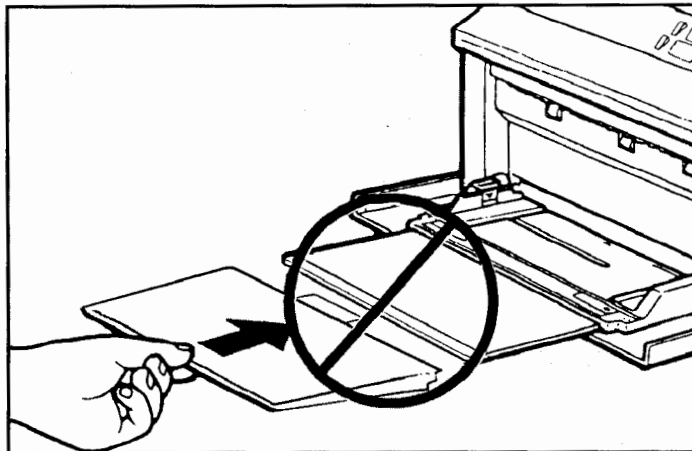
Close the paper path door, but leave the MP tray open.

# Attach the Enhanced MP Tray Extender

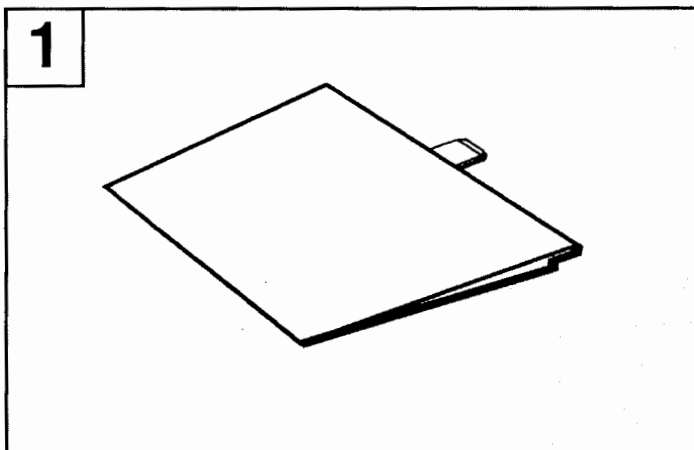
# H



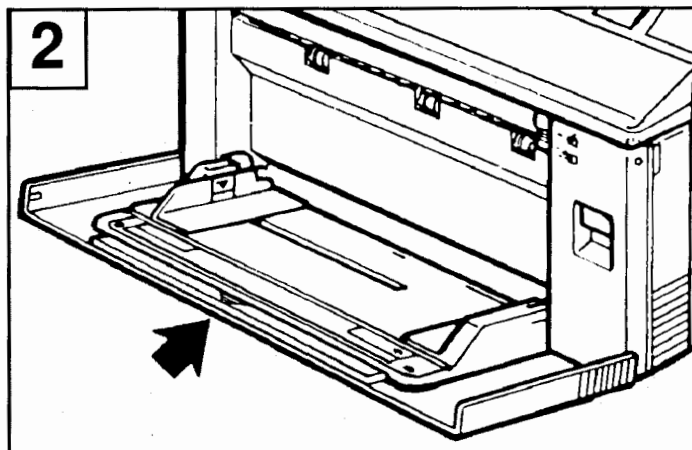
Use the enhanced MP tray extender for longer size paper such as legal.



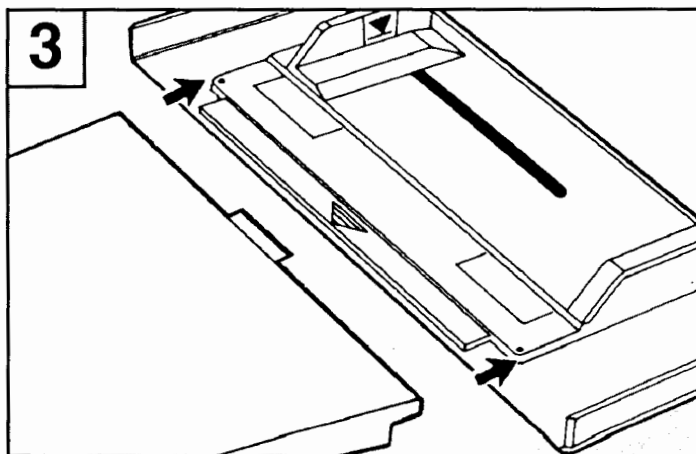
Do not attach the enhanced extender while the MP tray extender is pulled out.



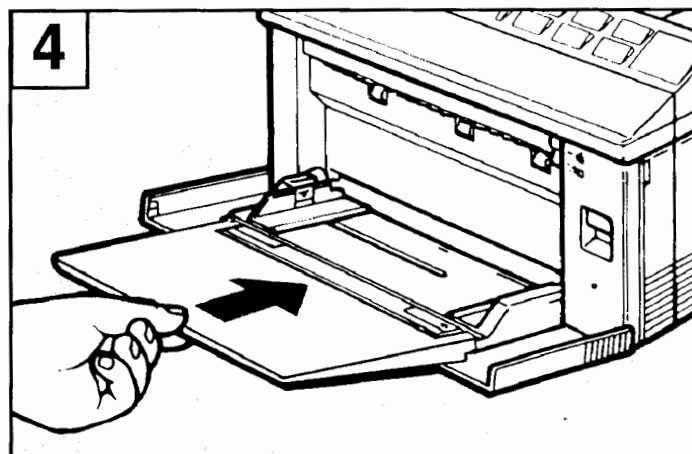
1  
Locate the enhanced MP tray extender.



2  
Make sure the sliding MP tray extender is closed.



3  
Fit the enhanced extender onto the MP tray with its center tab below the tray.



4  
Slide the enhanced extender in against the MP tray until it stops.

# I

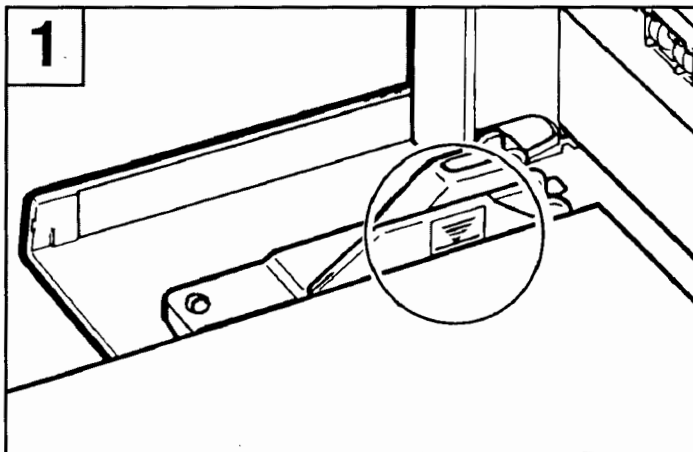
## Load Paper into the MP Tray

### Paper Specifications

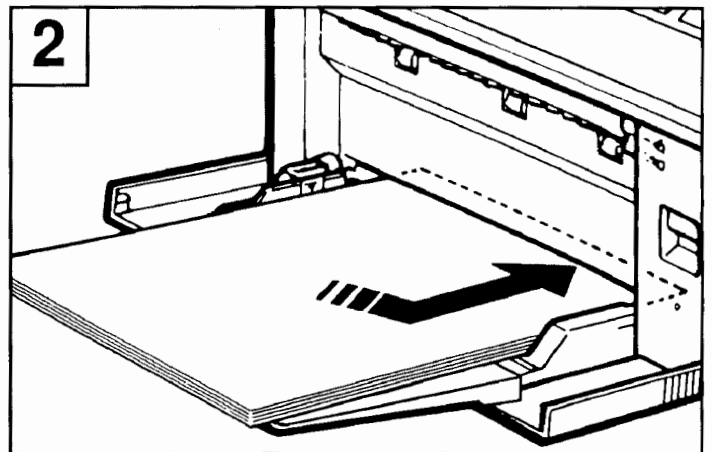
Your LaserJet IIIP printer works well with many common papers with basis weights from 16 to 28 pounds (60 to 105 g/m<sup>2</sup>). However, we recommend you test a particular paper to determine if its performance is acceptable. Refer to appendix E, "Selecting Paper and Other Print Media," in the *LaserJet IIIP Printer User's Manual*.

### NOTE

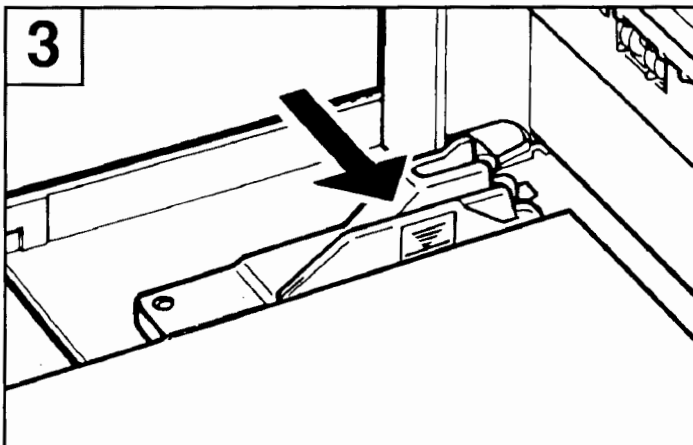
Hewlett-Packard neither warrants nor recommends the use of a particular paper. Paper properties are subject to change by paper manufacturers and Hewlett-Packard has no control over such changes. The customer assumes all responsibility as to the quality and performance of paper. Although testing helps to characterize performance, long-term satisfaction requires process quality control by the paper manufacturer and proper handling until use.



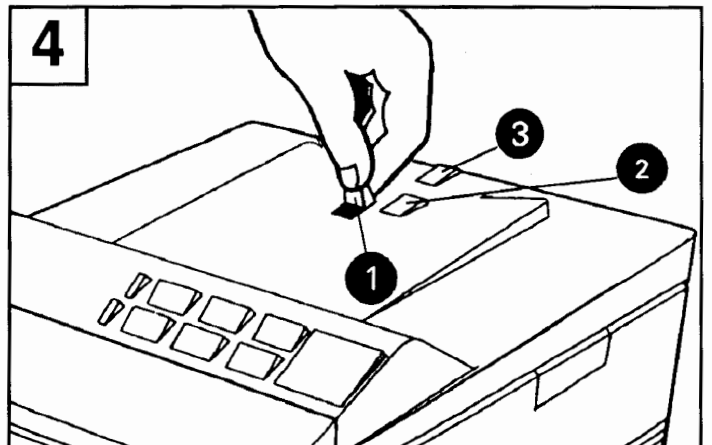
1 Fill the MP tray no higher than the arrow point.



2 Place the paper forward in the tray and firmly against the right guide.



3 Slide the media width adjuster against your paper.



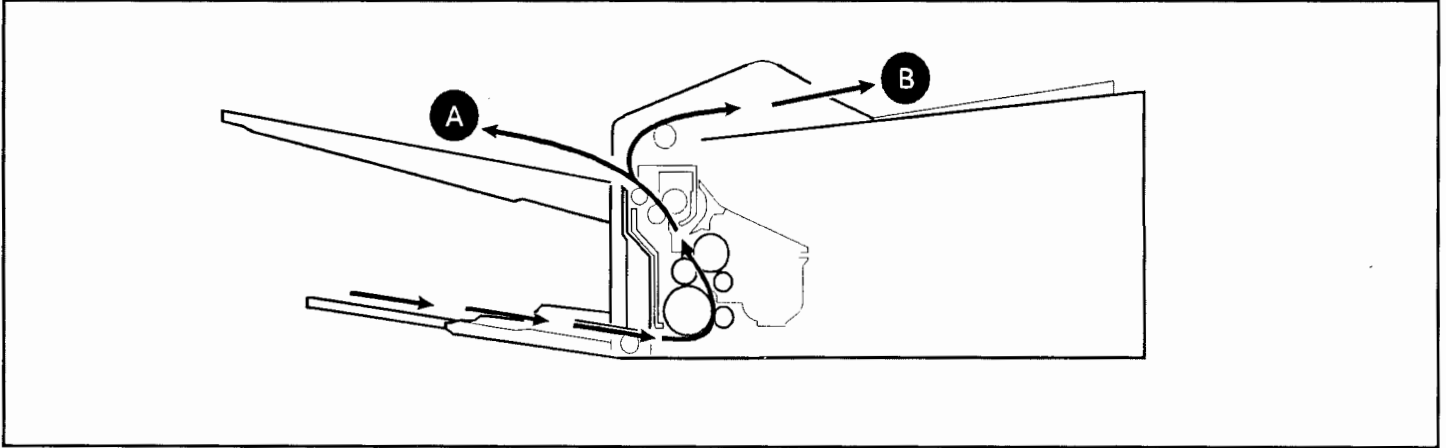
4 Flip up and click into place the appropriate paper stop. (1=Letter and Executive 2=A4 3=Legal)

# Select Output Tray for Paper

# J

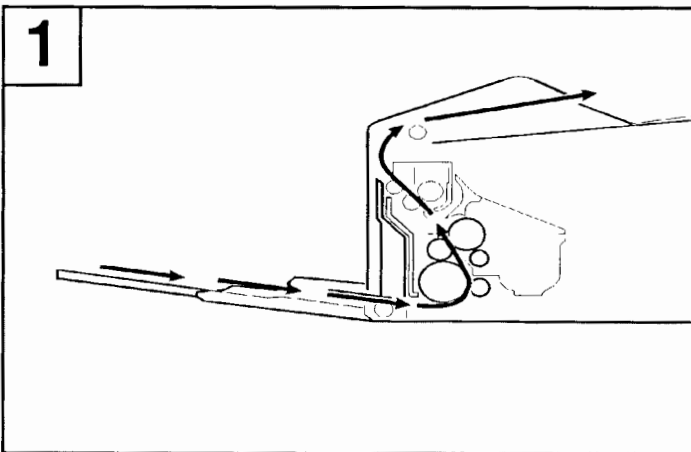
Follow these directions if you will be using paper. If you will be using print media other than paper, skip to K.

The LaserJet IIIP printer allows you to select from two output trays.

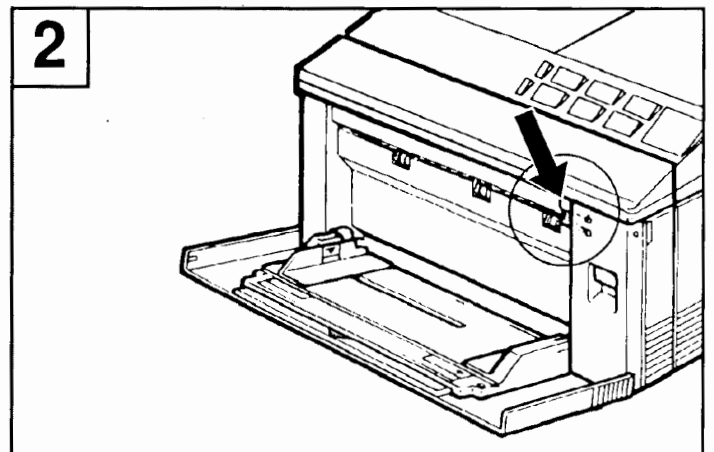


A. Front output tray for envelopes, labels, and transparencies.

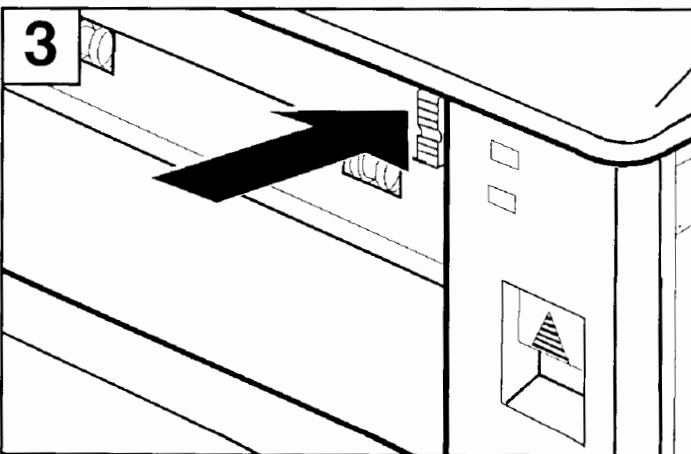
B. Correct order, top output tray for paper.



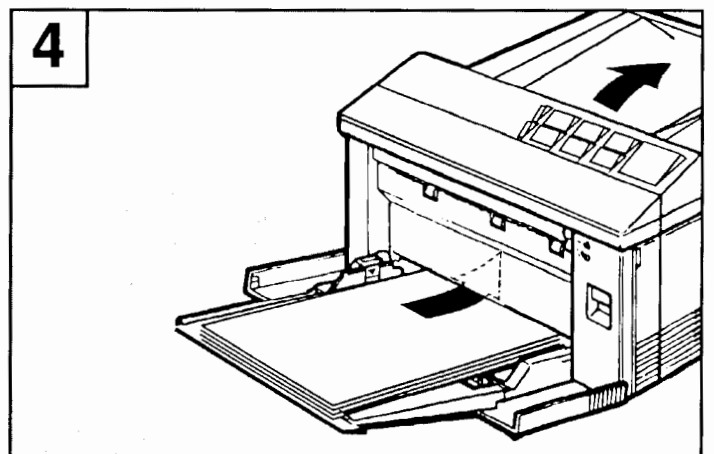
For printing on paper, select the top output tray.



Locate the output tray selector button on the paper path door.



Push the selector button up, flush with the side of the door.

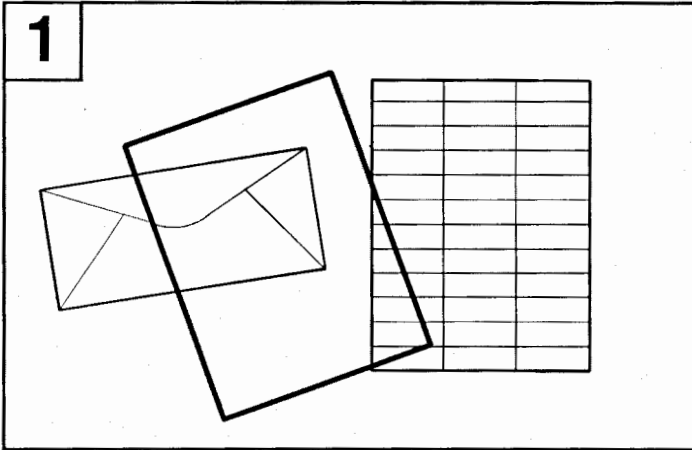


Your documents will now stack up in correct order on the top output tray.

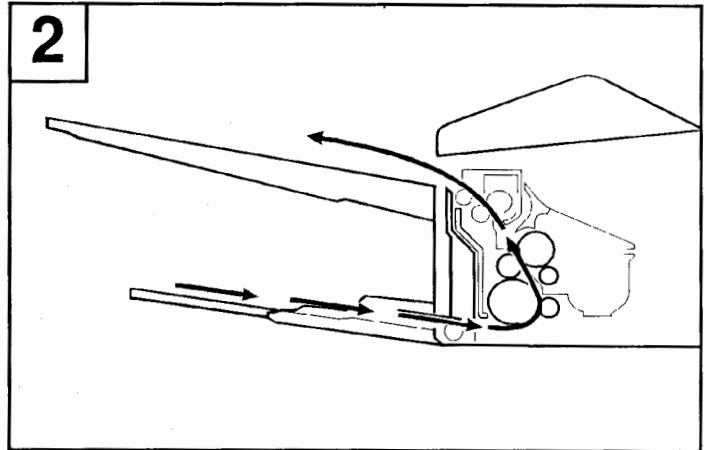
# K

## Select Output Direction for Other Media

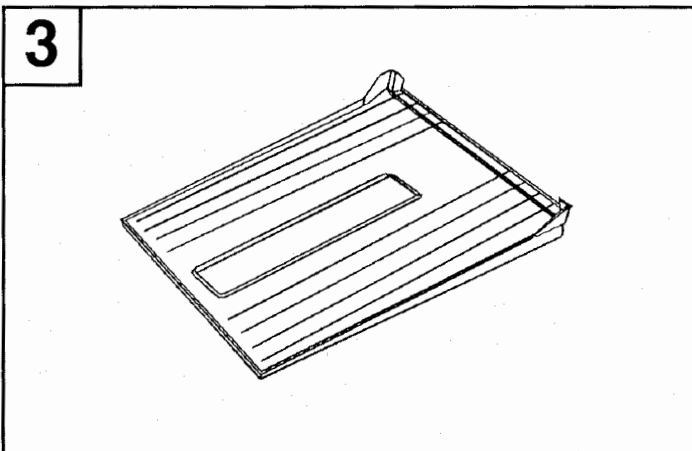
Follow these directions when using print media other than paper.



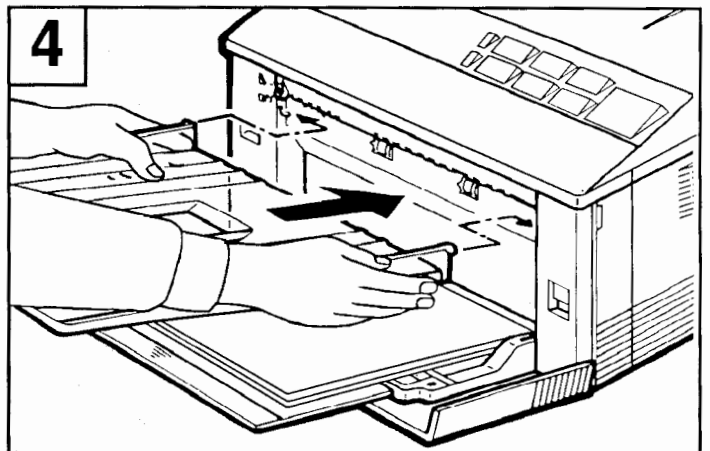
Your printer will print on envelopes, labels, and transparencies. (See the *LaserJet IIIIP User's Manual* for media specifications.)



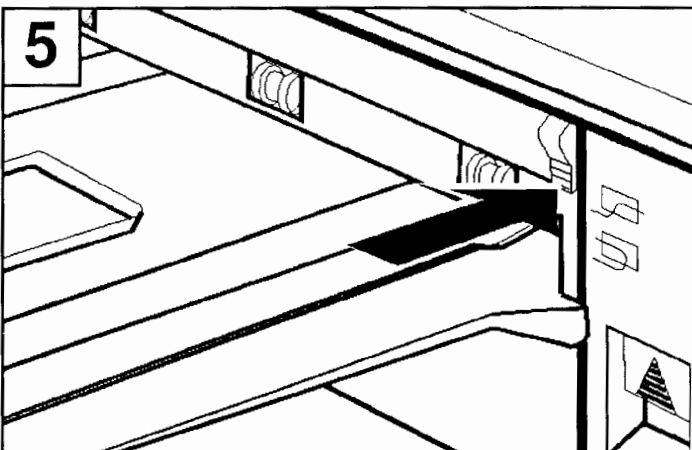
When using these types of media be sure to use the front output tray.



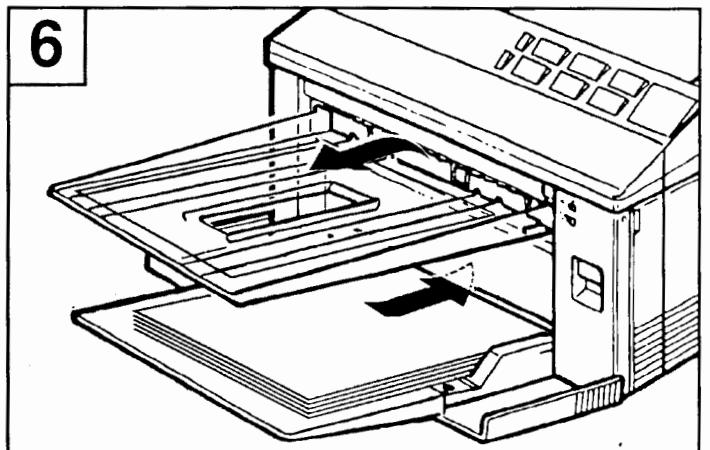
Locate the front output tray.



Gently squeeze the tray into the top notches located just below the deflector.



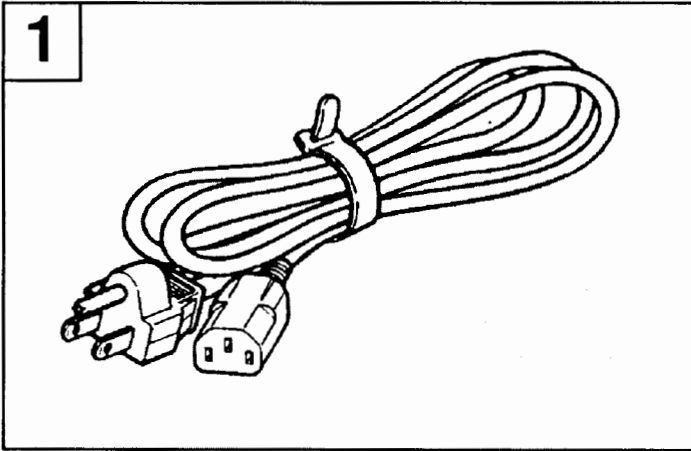
Push the selector button down toward the tray.



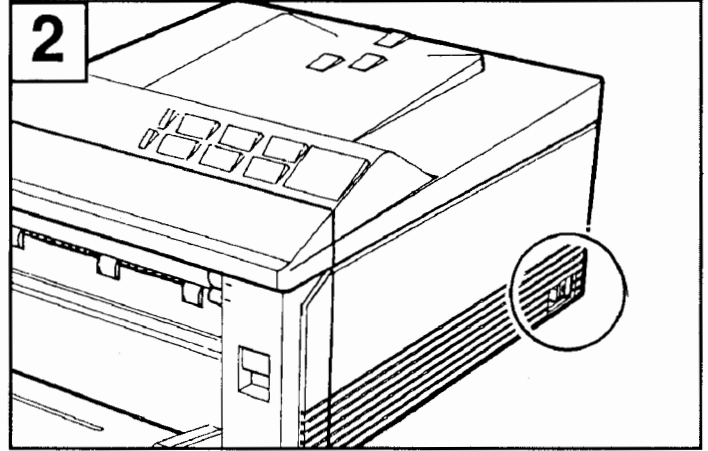
Your print media will now stack face-up on the front output tray.

# Attach the Power Cord

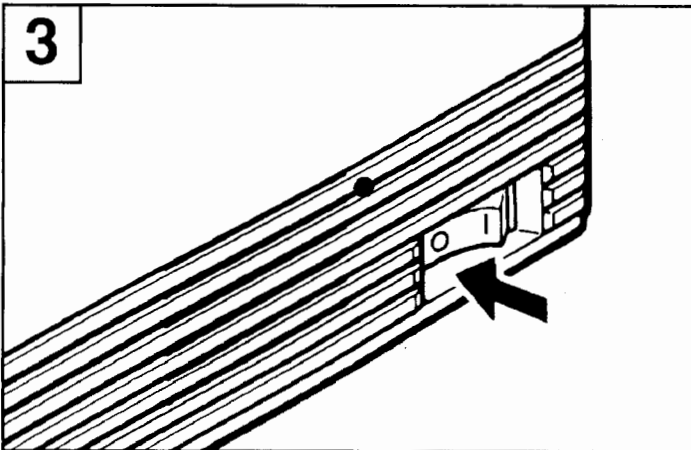
# L



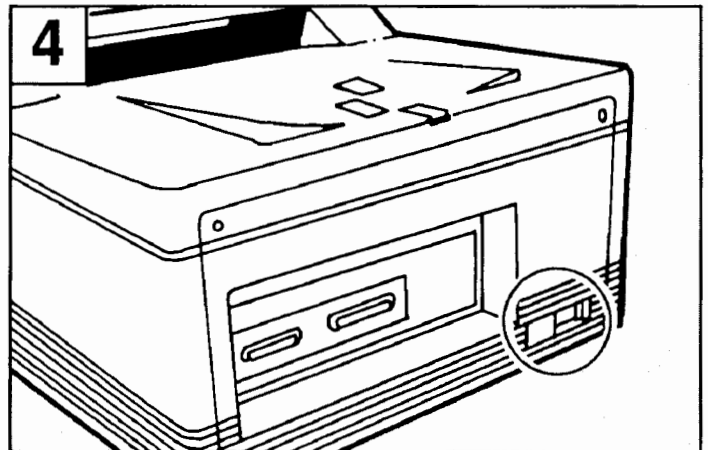
1  
Locate the power cord.



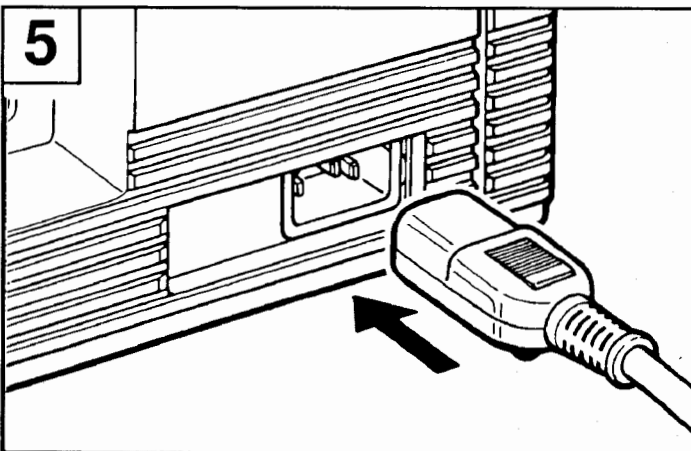
2  
Locate the ON/OFF switch at the lower right side of the printer.



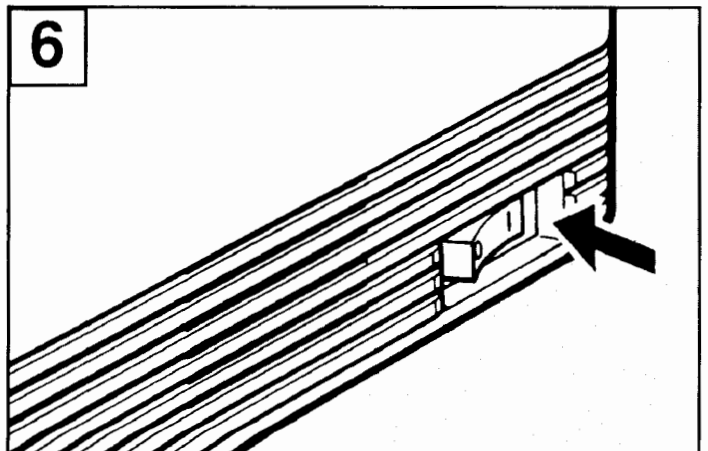
3  
Turn the printer OFF by depressing the O on the ON/OFF switch.



4  
Locate the power cord receptacle on the back of the printer.

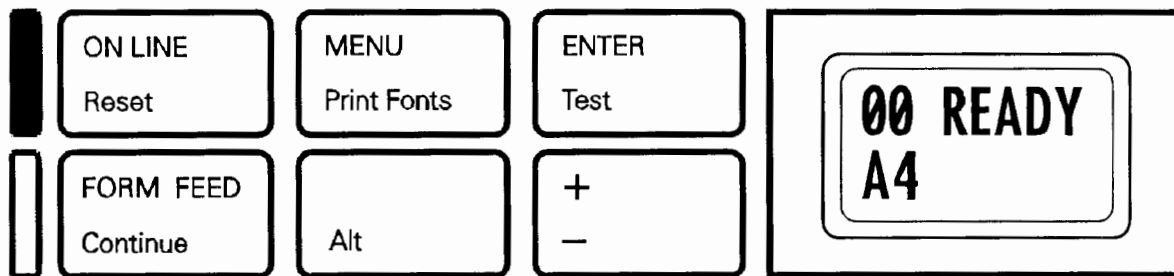


5  
Connect the power cord. Plug the other end into a power outlet.



6  
Turn the printer ON by depressing the I on the ON/OFF switch.

7



After the **05 SELF TEST** and **02 WARM UP** messages, make sure the **On-Line** indicator is lit and the display window shows **00 READY A4**.

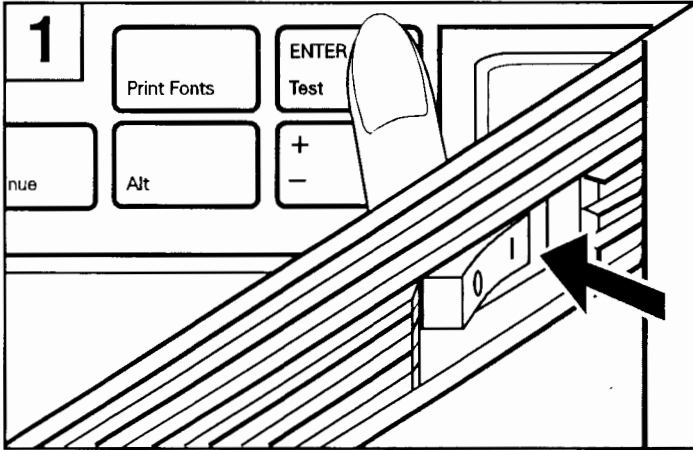
**NOTE**

**00 READY** should be displayed on the control panel. If an error message is displayed, refer to the *LaserJet IIIIP User's Manual* chapter 8 for possible solutions. If problems persist, contact either your internal support organization, your HP dealer, or call the Hewlett-Packard Personal Peripherals Assist Line.

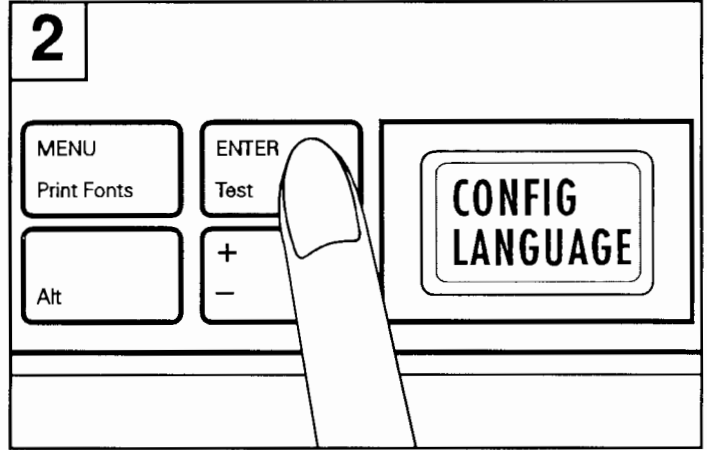
# Select Display Message Language



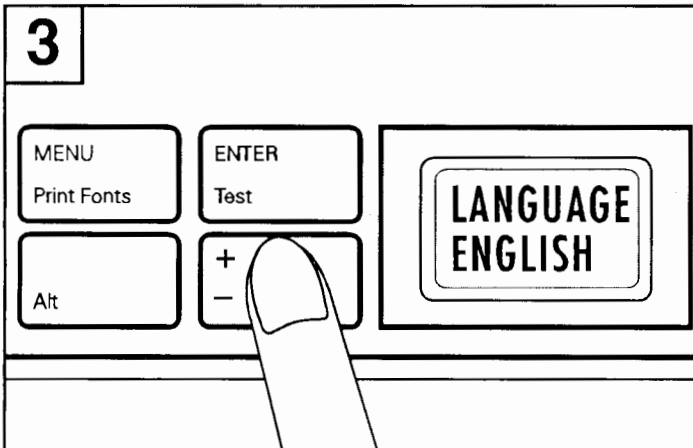
Follow these directions if you want to change display language from English. If not, skip to N.



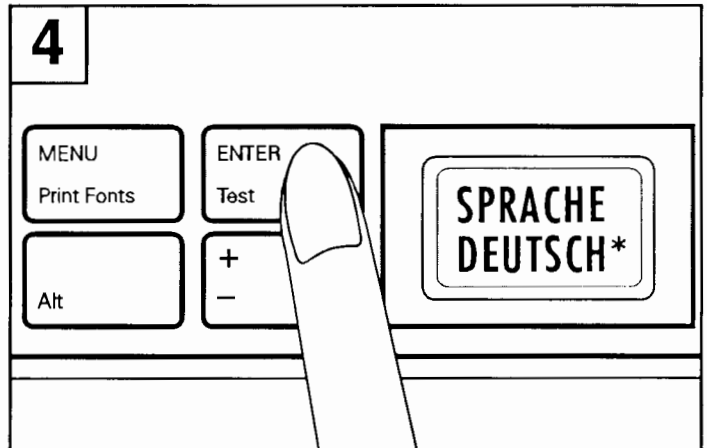
Turn the printer OFF. Hold down the **ENTER** key while turning the printer back ON.



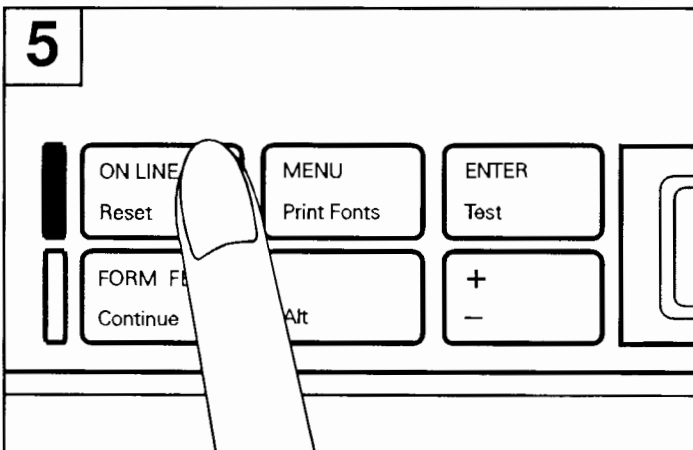
Wait until CONFIG LANGUAGE appears. Release the **ENTER** key. 05 SELF TEST appears.



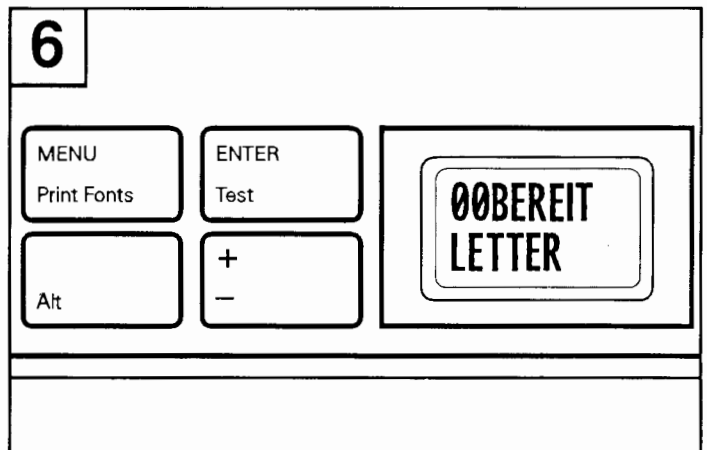
Wait for LANGUAGE ENGLISH to appear. Press the **+/-** key to choose your language.



Click the **ENTER** key to save your language selection. An \* will appear.



Click the **ON LINE** key to return on-line. The On-Line indicator will come on.



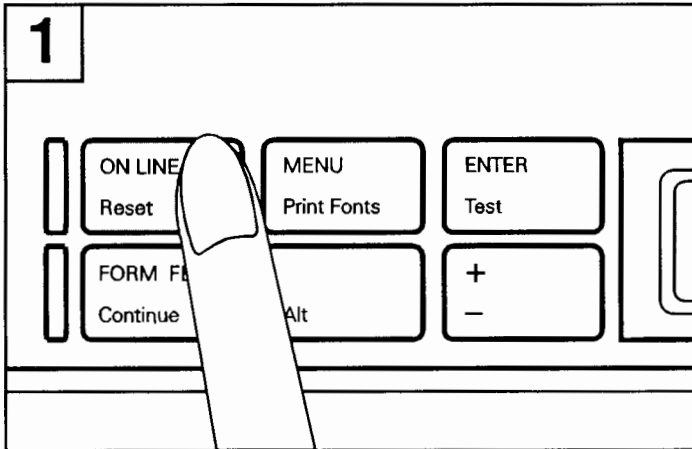
Your display messages will now be in the language you selected.



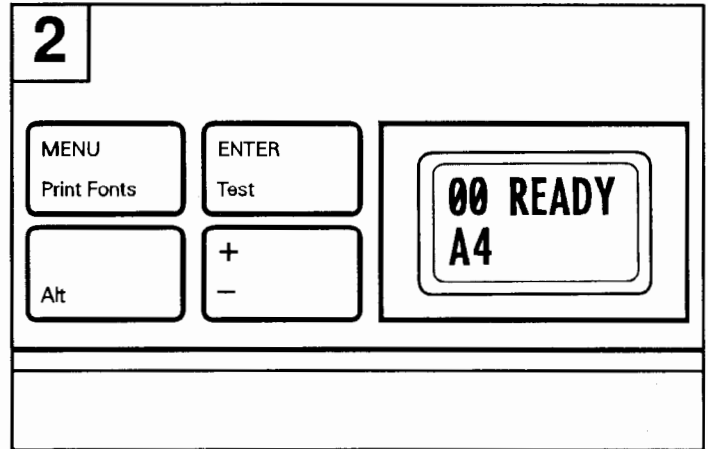
# N

## Set MP Size to Match Your Paper Size

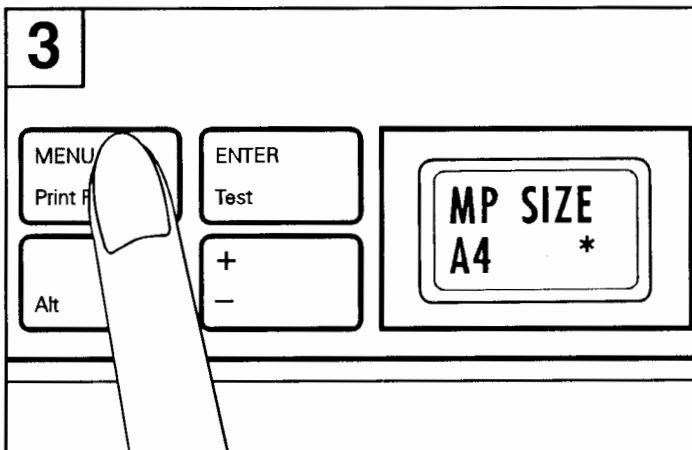
Follow these directions if you are not using A4 size paper (210 x 297mm) since you must tell the printer what size of paper you are using. If you are using A4, the printer is already set for A4 (the printer default), skip to 0.



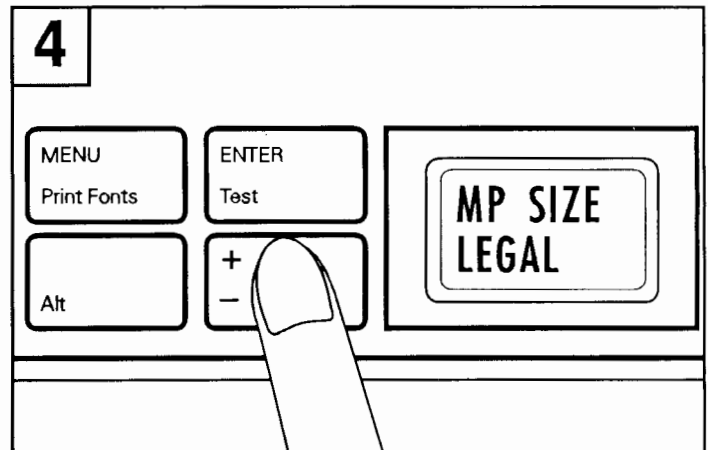
Click the **ON LINE** key to take the printer off-line. The On-Line indicator goes off.



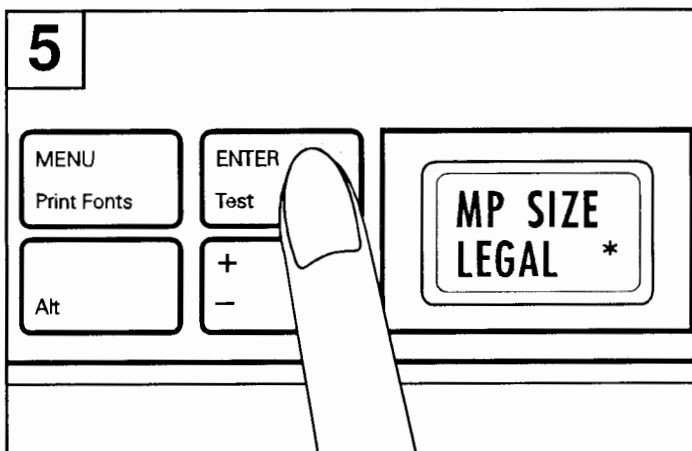
The display shows 00 READY A4.



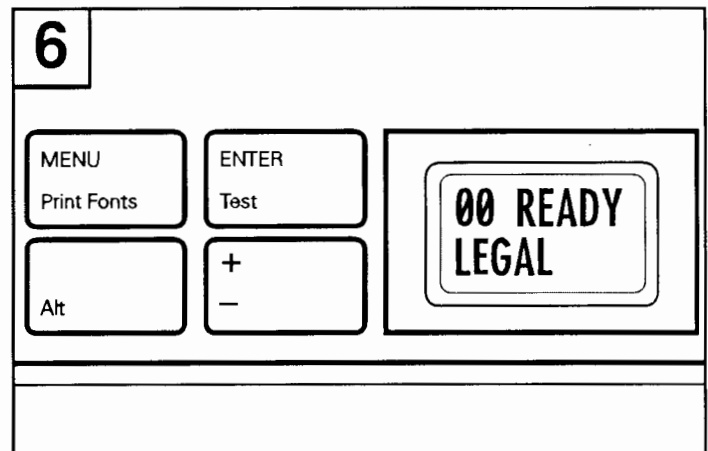
Click the **MENU** key. The display shows MP SIZE A4 \*.



Click the **+/-** key until the paper size you are using is displayed.



Click the **ENTER** key to save your selection. An \* appears.



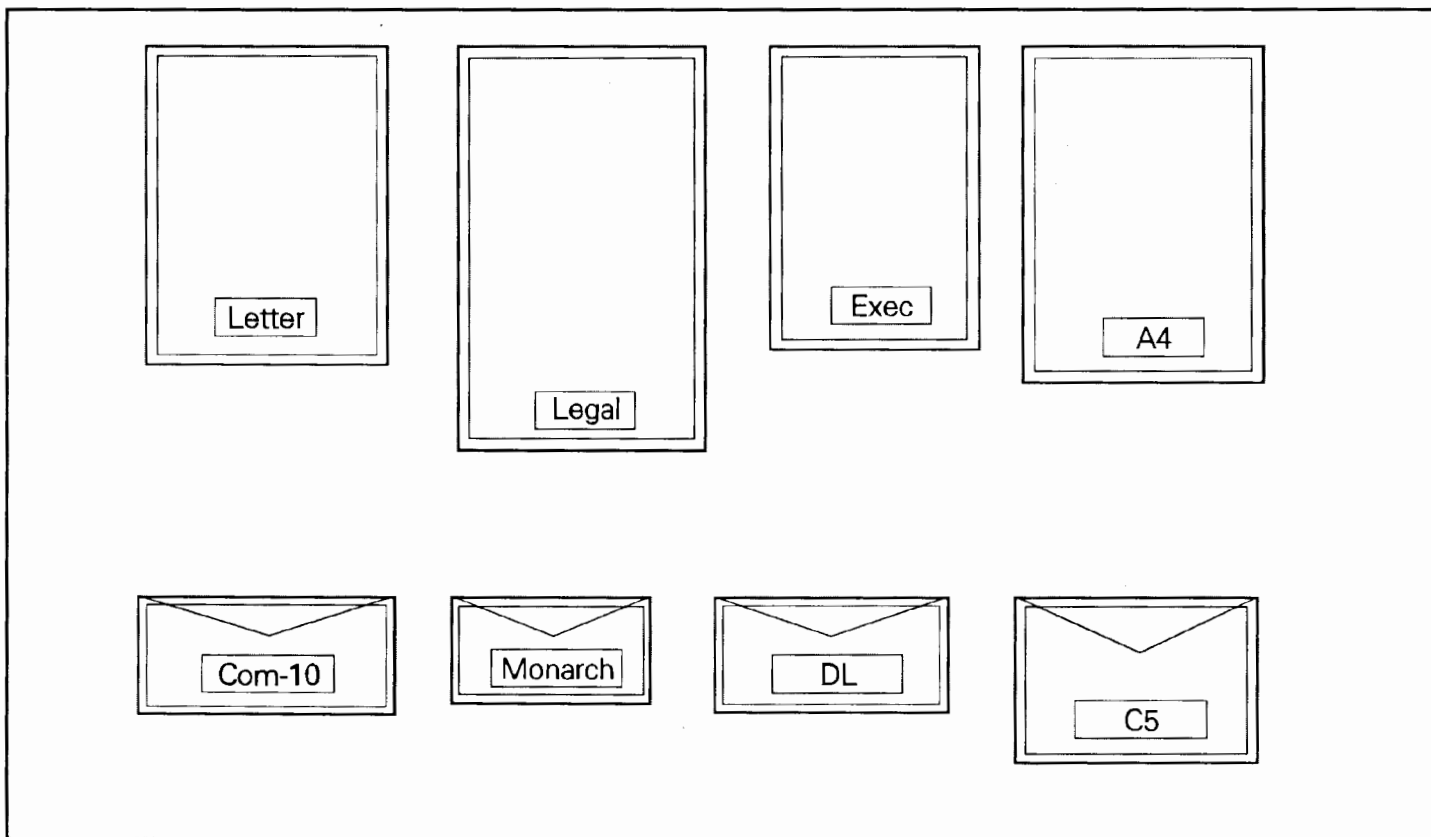
Click the **ON LINE** key to return on-line. The display should show the size you selected.

# Determine Job Size

# O

## Control Panel Job Size

The printer is set for JOB SIZE A4 at the factory. Unless you have changed the JOB SIZE with the **MENU** key, it should still be A4. This means the printer will format the page of data to fit on A4 size paper (210 x 297mm) if your software does not tell it differently.



JOB SIZE

The factory default JOB SIZE for this printer is A4.

You generally set the JOB SIZE (image) to match your MP SIZE.

Display	Meaning
JOB SIZE	Image size to which data is formatted when it is sent to the printer

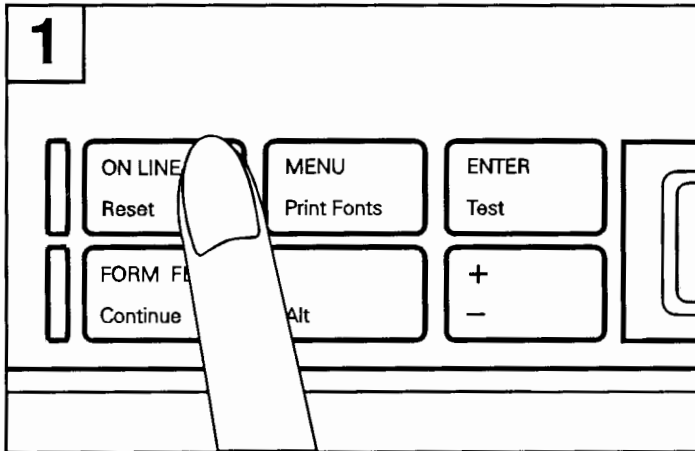
Software can override the JOB SIZE default, but not the MP SIZE. Your printer does not know what size of media you are using unless you set the MP SIZE.

If you are using A4 size paper, skip to section **Q**.

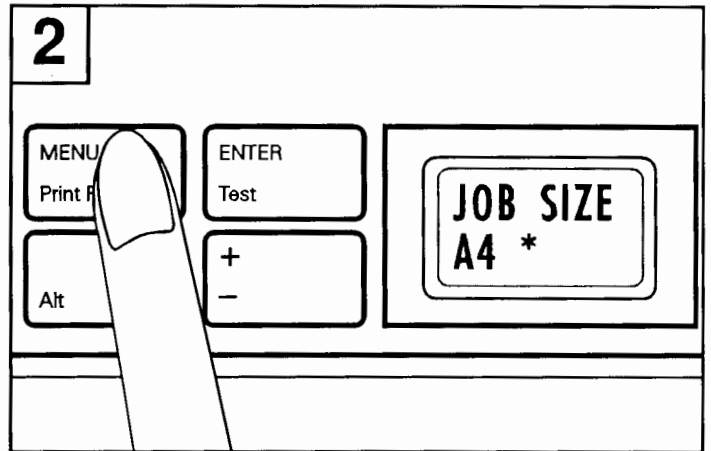
# P

## Set Job (Image) Size

Normally your JOB SIZE setting should match your MP SIZE setting.



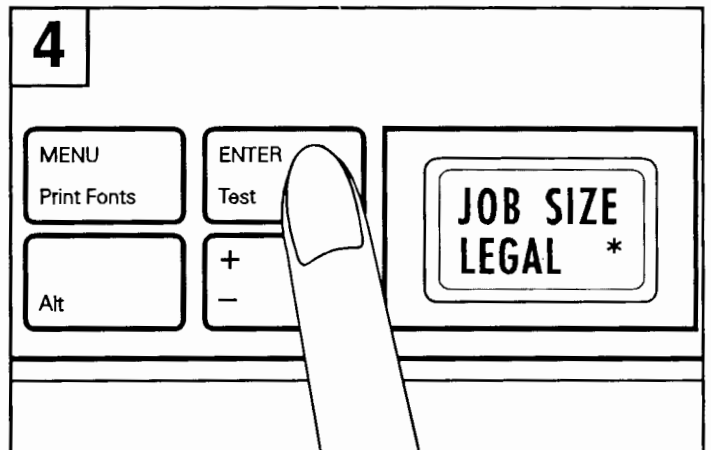
Click the **ON LINE** key to take the printer off-line. The On-Line indicator goes off.



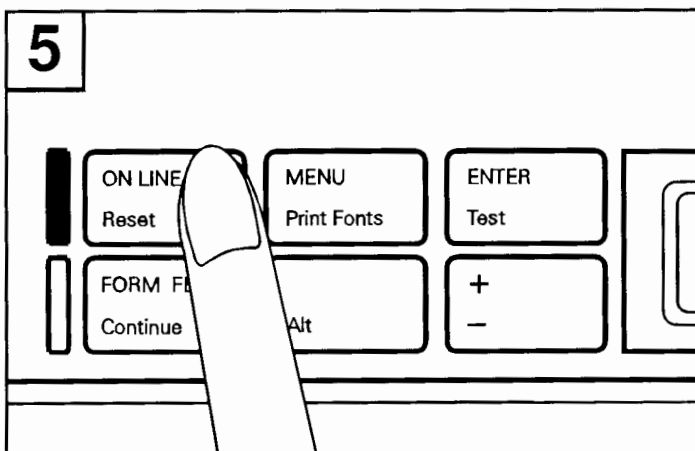
Click the **MENU** key until JOB SIZE A4 \* appears.



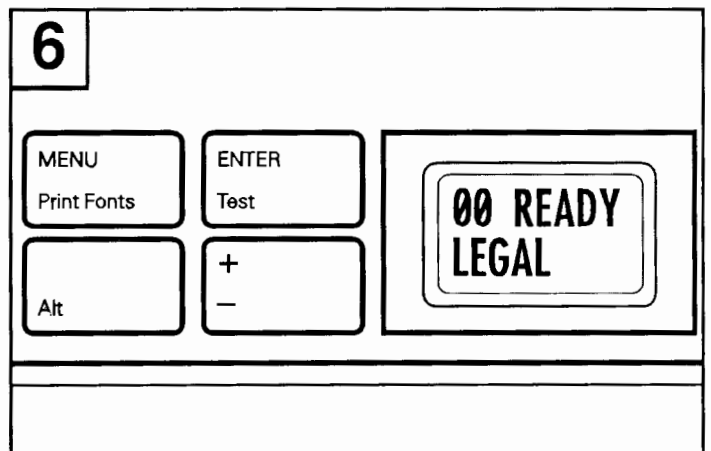
Click the **+/-** key until the job size that matches your MP SIZE setting is displayed.



Click the **ENTER** key to save your selection. An \* appears.



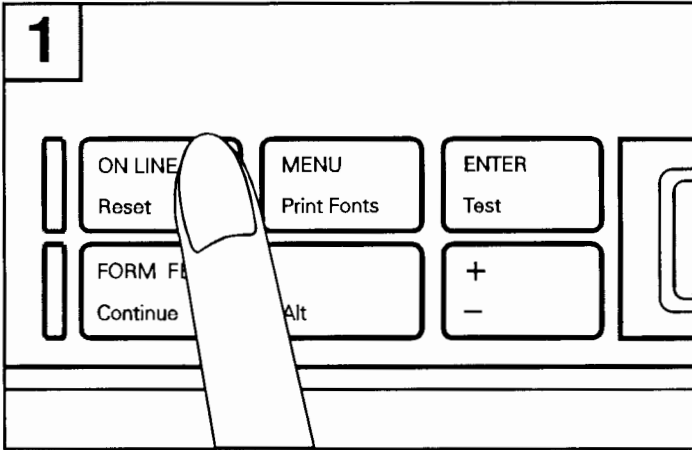
Click the **ON LINE** key to put the printer back on-line.



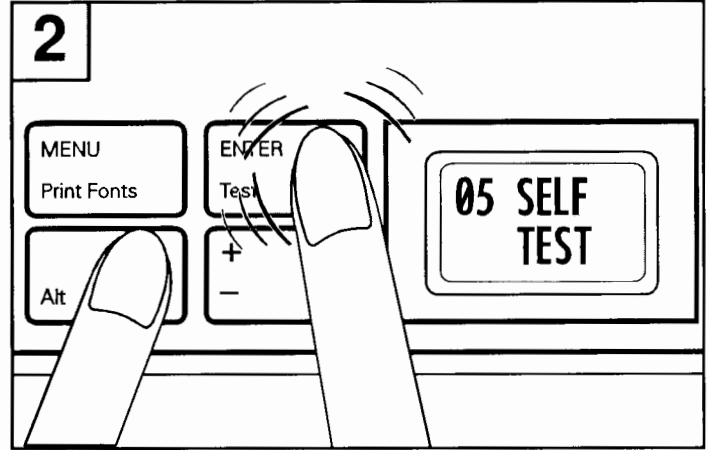
The display should show 00 READY, with your selected MP size.

# Print a Self Test and Generate Cleaning Paper

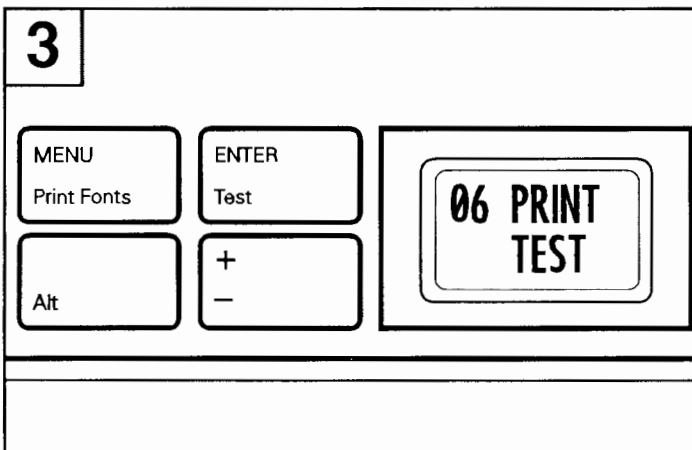
# Q



Click the **ON LINE** key to take the printer off-line. The On-Line indicator goes off.



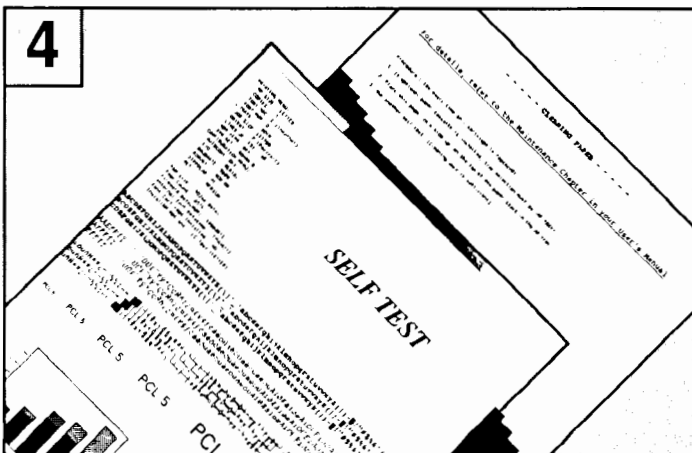
While holding down the **Alt** key, click the **Test** key. The display will show 05 SELF TEST.



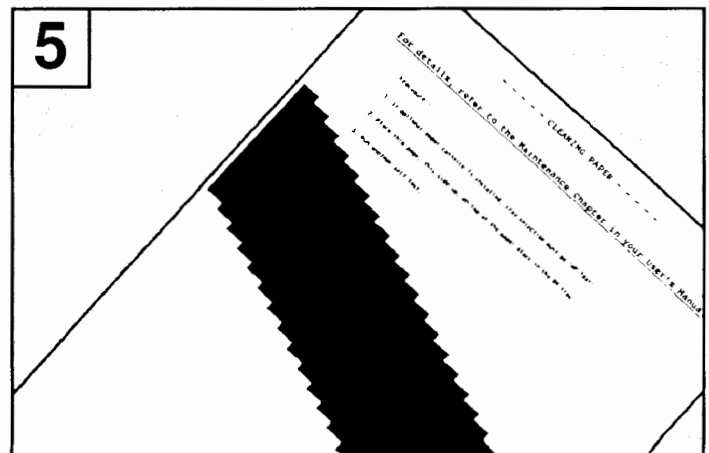
After a few moments, 06 PRINT TEST will appear in the display.

## NOTE

If 04 SELF TEST appears, click the **ON LINE** key to stop the continuous self test. Up to 6 more pages will print. Then hold down the **Alt** key and **CLICK** the **Test** key. **DO NOT** hold down the **Test** key.



Two pages will print. The first sheet is a SELF TEST printout.

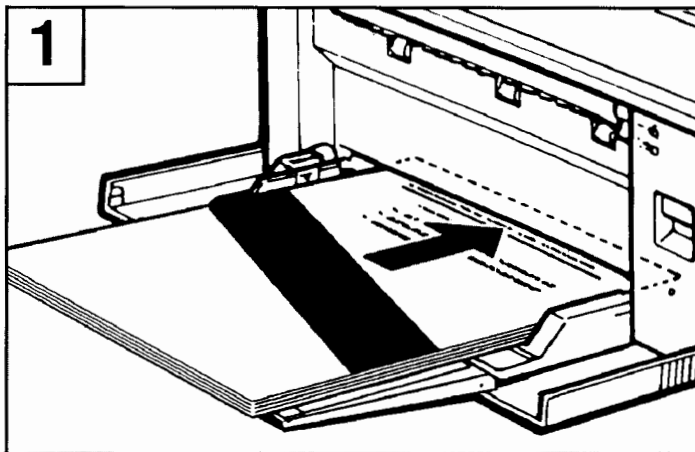


The second sheet is printer generated cleaning paper. (If you did not receive two self test pages, refer to chapter 8 in the *LaserJet IIIIP User's Manual*.)

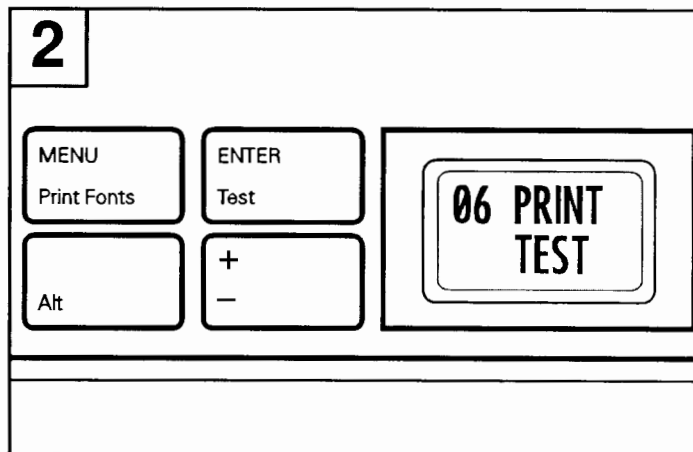
# R

## Use Printer Generated Cleaning Paper

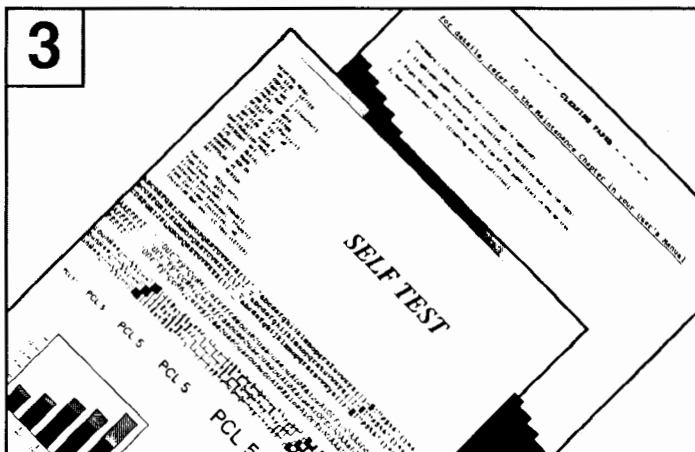
The cleaning paper cleans toner from the printer's internal parts.



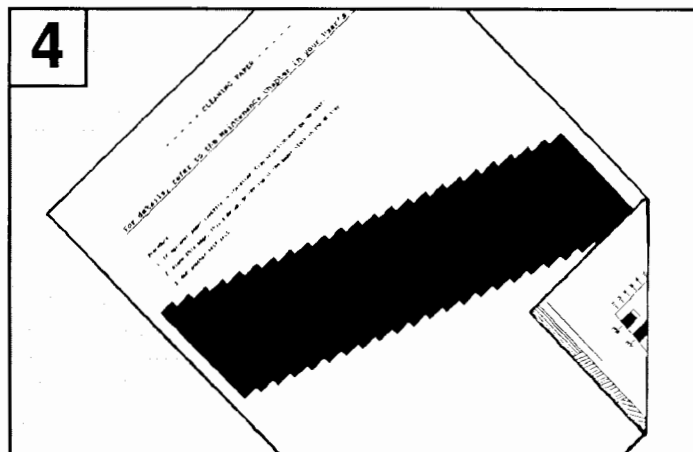
1 Place the cleaning paper face-up in the MP tray on top of the paper stack.



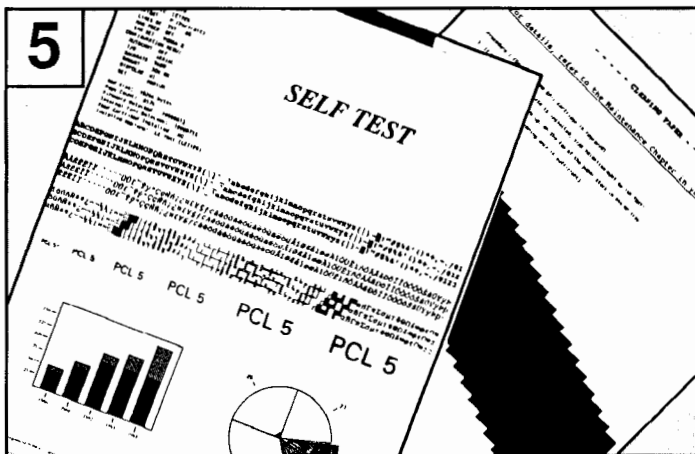
2 Run another SELF TEST. (While holding down the **Alt** key, click the **Test** key.)



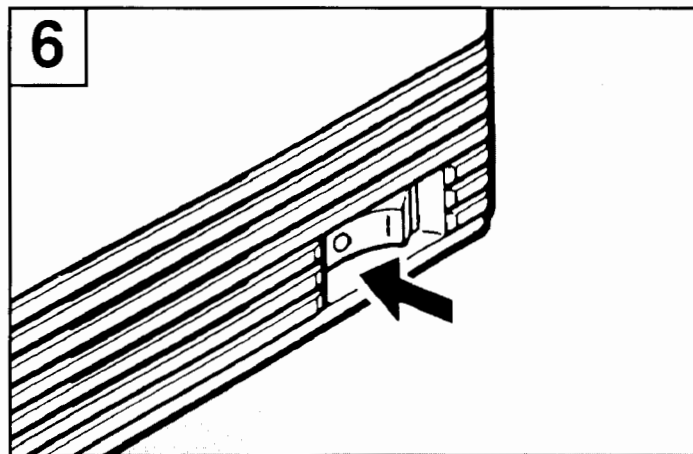
3 Two pages will print.



4 The first page should be on the back of the original cleaning paper. If it is, the internal parts have been cleaned.



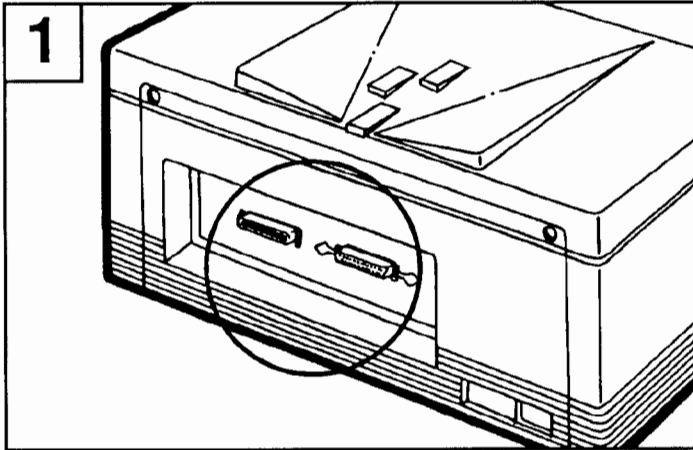
5 Discard the SELF TEST and cleaning paper sheets.



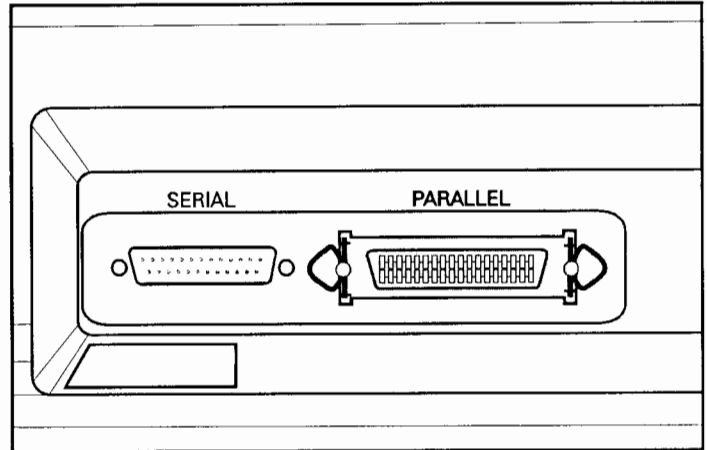
6 Turn the printer OFF by depressing the **O** on the ON/OFF switch.

# Select a Centronics Parallel or Serial Cable Connection

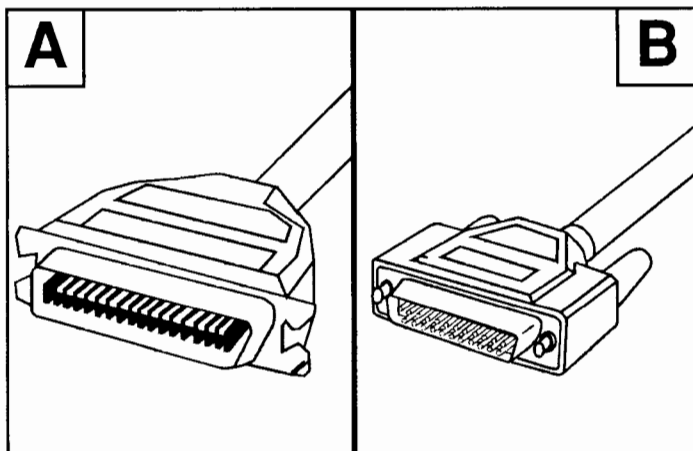
# S



1  
Locate the interface ports at rear of the printer.



Close-up view of the printer interface ports.



A. Printer end of a typical Parallel cable

B. Printer end of a typical Serial cable

**CAUTION**  
ENSURE THAT THE PRINTER AND THE COMPUTER ARE TURNED "OFF" BEFORE CONNECTING ANY CABLE.

Your computer communicates with your printer through an interface (sometimes called a "port"). Refer to your computer's user documentation to determine the location and kinds of interfaces your computer has, or consult your dealer. Your LaserJet IIIP printer provides both a Centronics parallel and a serial interface. The interface ports are on the back of your printer.

**If your computer doesn't already have a Centronics parallel or serial interface, you may need to order and install a special interface card for your computer.**

**For the HP Vectra Personal Computer, the interface cards' part numbers are:**

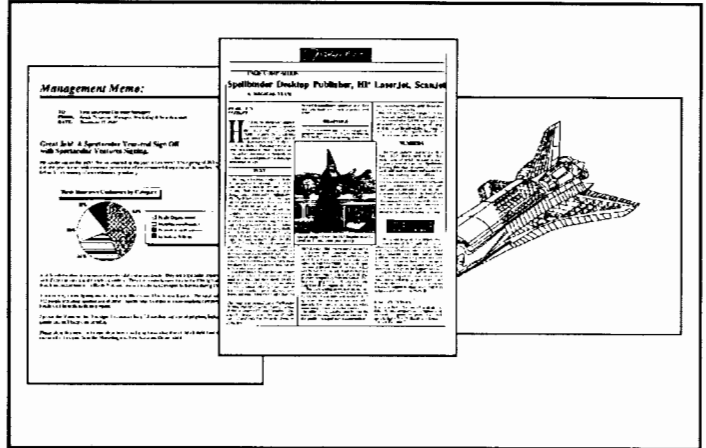
Centronics parallel interface - HP24540B  
Dual RS232/422 Serial interface - HP24541B

**For computers other than the HP Vectra, contact your dealer for interface information.**

# Centronics Parallel Interface

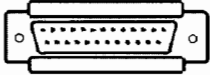

## Use a Centronics parallel interface when:

- You want the fastest method of communicating data to your printer.
- Your printer is less than 10 feet (3 meters) from your computer.
- You send a lot of graphic information or soft fonts to the printer.



Graphic Information

A typical parallel cable looks like this:

Computers	Computer End	Parallel Cable		Printer End
HP Vectra IBM PC/AT/XT/PS2 and most IBM compatibles Compaq		HP Part Number	Length	
	25 Pin Male Plug	HP 92284A	6.6' (2.0 m)	36 Pin Male Plug

Did you decide on a Centronics parallel interface? If so, go to section **T**

# Serial Interface

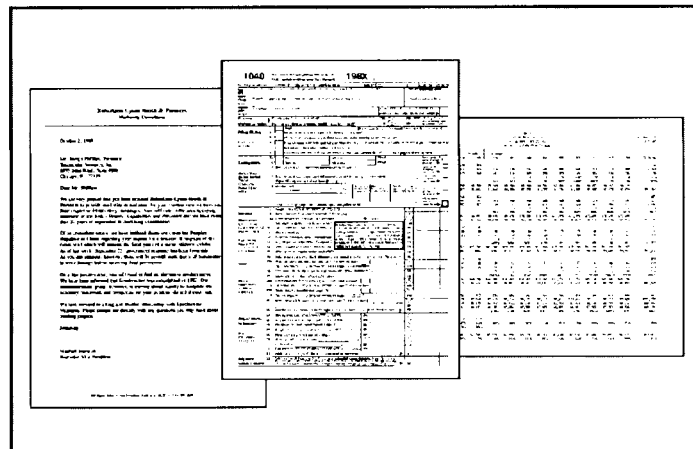


## Use a serial interface when:

- Your computer does not have an available Centronics parallel interface.
- Serial data transfer rates will provide an acceptable solution for your application.
- Most of your documents are textual with little graphic information.

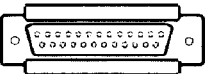
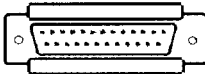
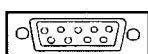


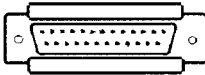
The RS 232 interface can support printers located up to 50 feet away from the computer.

An accessory RS 422 adaptor (HP part no. 92270N) can support printers located up to 4000 feet (1219 m) away from the computer. See your supplies and accessories brochure or contact your local authorized HP dealer for more information.



Textual Information

A typical serial cable looks like this:

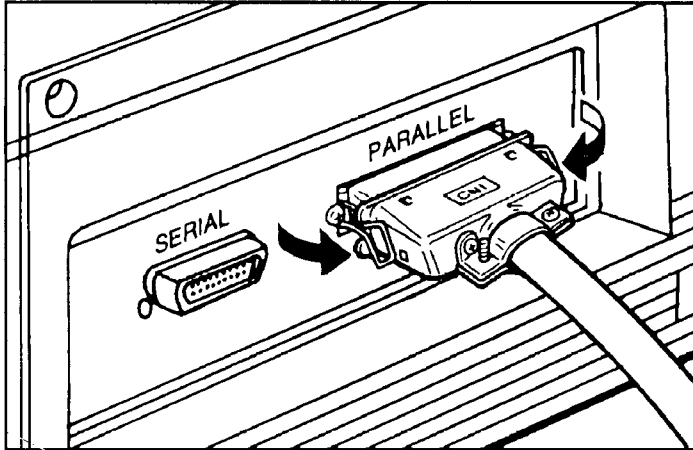
Computers	Computer End	Serial RS232 Cable		Printer End
IBM PC/XT/PS2 and most IBM XT Compatibles Compaq Portable	  25 Pin Female Plug	HP Part Number	Length	  25 Pin Male Plug
		HP-17255D HP-92219J	3.9' (1.2 m) 16.7' (5.0)	
HP Vectra IBM PC/AT and most IBM AT Compatibles Compaq Deskpro 286/386	  9 Pin Female Plug	HP Part Number	Length	  25 Pin Male Plug
		HP24542G	9.9' (3.0 m)	
HP Vectra (dual serial card)	  25 Pin Male Plug	HP Part Number	Length	  25 Pin Male Plug
		HP17255M HP13242-60010	3.9' (1.2 m) 16.7' (5.0 m)	

Did you decide on a serial interface? If so, go to section U



# T

## Set Up to Use a Centronics Parallel Interface Cable



After installing the Centronics parallel cable, use wire clips to help secure it.

1. Make sure your computer and printer are turned OFF.
2. Plug the cable into your computer and your printer. You should rock the connector onto the printer to ensure the cable is fully seated.
3. Use the wire clips to help secure the cable to your printer.
4. Turn your computer and printer ON.
5. Follow the steps below to verify the printer configuration settings.

### Centronics Parallel Interface Configuration Verification

Your printer is set at the factory for parallel communication. You do not need to make any changes to use a Centronics parallel cable interface. Follow these steps to verify the Centronics parallel configuration settings.

Step	Click:	Printer Displays:
1	<input type="button" value="ON LINE"/>	00 READY A4 (The On-Line indicator goes off.)
2	<input type="button" value="MENU"/> repeatedly until...	DEVICE CONFIG
3	<input type="button" value="ENTER"/>	AUTO CONT OFF*
4	<input type="button" value="MENU"/>	I/O PARALEL* (If I/O SERIAL * appears, click <input type="button" value="+/-"/> until PARALEL appears, then click <input type="button" value="ENTER"/> )
5	<input type="button" value="ON LINE"/>	00 READY A4 (The On-Line indicator comes on.)

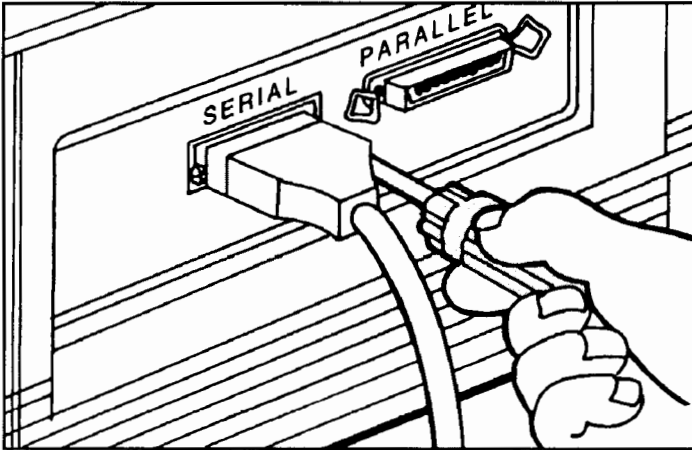
An asterisk (\*) indicates an item has been selected and saved.

### NOTE

You may want to run a 05 SELF TEST and keep the printout as a record of your configuration. (Refer to section Q.)

Go on to section V to configure the computer to communicate with your printer.

# Set Up to Use a Serial Interface Cable



Secure the serial cable connector to the serial I/O port on the back of the printer. (You may need to use a small screwdriver.)

1. Make sure your computer and printer are turned OFF.
2. Plug the cable into your computer and printer. If necessary, use a small screwdriver to secure the cable to the printer. (If you are using an RS-422 cable, you will have to purchase an RS-422 adaptor, HP part no. 92270N. Contact your local authorized dealer for more information.)
3. Turn your computer and printer ON.
4. Follow the steps below to change the factory default interface setting from parallel to serial.

## Configure the Control Panel for a Serial Interface

Step	Click:	Printer Displays:	
1	<input type="button" value="ON LINE"/>	00 READY A4	(The On-Line indicator goes off.)
2	<input type="button" value="MENU"/> repeatedly until...	DEVICE CONFIG	
3	<input type="button" value="ENTER"/>	AUTO CONT OFF*	
4	<input type="button" value="MENU"/>	I/O PARALEL*	
5	<input type="button" value="+/-"/>	I/O SERIAL	
6	<input type="button" value="ENTER"/>	I/O SERIAL *	
7	<input type="button" value="MENU"/>	BAUD RATE 9600*	(NOTE: Change BAUD RATE, ROBUST XON, and DTR POLARITY only if it is necessary to match the configuration of your computer.)
8	<input type="button" value="MENU"/>	ROBUST XON ON *	
9	<input type="button" value="MENU"/>	DTRPOLAR HI*	
10	<input type="button" value="ON LINE"/>	00 READY A4	(The On-Line indicator comes on.)

An asterisk (\*) indicates an item has been selected and saved.

### NOTE

You may want to run a 05 SELF TEST and keep the printout as a record of your configuration. (Refer to section Q for more information.)

Go on to section V to configure the computer to communicate with your printer.

# V

## Edit Your AUTOEXEC.BAT File

This section and section W apply only to DOS users. (If you do not work in a DOS environment, you must read your computer's operating system manual for instructions on how to enter the printer configuration through your own operating system. Skip to section X.)

You must modify your AUTOEXEC.BAT file so that the computer knows what printer port you are using and can send data to the printer. The MODE statement, or statements, contain the information needed by the computer.

For PARALLEL	For SERIAL
MODE LPT1 : , , P (Use B instead of P for MS-DOS 4.0 and above)	MODE COM1 : 9600 , N , 8 , 1 , P
(The ports can be LPT1, or LPT2)	MODE LPT1 : =COM1
	(The ports can be COM1 or COM2 or COM3)

You can use any word processing package to edit your AUTOEXEC.BAT file. (Make a backup copy of AUTOEXEC.BAT before you modify it.) Be sure you treat the file as unformatted ASCII text. For example, in WordPerfect you would use the *Text-in Text-out* feature. In Microsoft Word, you would SAVE the file using the *Text-only* option. You could also use the DOS editor EDLIN. See your software manual for more information.

Sample AUTOEXEC.BAT File with MODE statement for PARALLEL configuration entered after PATH statement.	Sample AUTOEXEC.BAT File with MODE statement for SERIAL configuration entered after PATH statement.
ECHO OFF C:\MOUSE1\mouse C:\MOUSE1\cpanel PROMPT \$P\$G PATH C:\;C:\DOS;C:\BAT;C:\WORD5; MODE LPT1 , , P CD\NETWORK USRLOAD /A C: CD\	ECHO OFF C:\MOUSE1\mouse C:\MOUSE1\cpanel PROMPT \$P\$G PATH C:\;C:\DOS;C:\WORD5; MODE COM1:9600,N,8,1,P MODE LPT1:=COM1 CD\NETWORK USRLOAD /A C: CD\

Your AUTOEXEC.BAT file may not look exactly like these examples.  
Computers are set up differently.

If you successfully added your MODE statement, Skip to section X

# Edit Your AUTOEXEC.BAT File

This section applies only to DOS users who do not have another method to edit their AUTOEXEC.BAT file. If you do not work in a DOS environment, skip to section X.



For DOS users, the AUTOEXEC.BAT file is used to set up the communication link between the computer and printer. When you enter the printer configuration (for example, LPT1, COM1) into this file, the computer knows what port to send data to.

## The following procedure:

- Verifies you have an AUTOEXEC.BAT file.
- Prepares the computer to accept printer configuration commands.
- Inputs the MODE statement(s) in your AUTOEXEC.BAT file.

If you have DOS 4.0 or above, substitute the P with a B in the parallel MODE statement. (MODE LPT1:.,B)

Step	WHAT to do:	HOW to do it:	Computer Displays:
1	Select your root directory	Type: CD\ (ENTER)	A:\> or B:\> or C:\>
2	Make a backup copy of your AUTOEXEC.BAT file	Type: COPY AUTOEXEC.BAT AUTOEXEC.LJ (ENTER)	1 file(s) copied
3	Review your AUTOEXEC.BAT file	Type: TYPE AUTOEXEC.BAT (ENTER)	Your AUTOEXEC.BAT file. (If you don't have one, skip to Step 5.)
4	Look for a MODE statement in the file. If the correct statement is there, continue with section X. (If there is an incorrect MODE statement, you cannot use this procedure to edit your AUTOEXEC.BAT file.)		
5	Look for the MODE.COM in your root directory. If you can't find it, check in subdirectories on your computer, or on your original DOS disks.	Type: DIR *.COM (ENTER)	A list of files with the .COM extension.
6	If MODE.COM appears in the directory listing, skip to Step 9a		
7a	If MODE.COM does not appear in the root directory listing, copy it from your DOS disks to your root directory	IF YOU HAVE A HARD DRIVE: Insert the "startup" DOS disk in drive A and type: COPY A:MODE.COM (ENTER)	1 file(s) copied
7b		IF YOU HAVE A TWO-FLOPPY SYSTEM: Insert the "startup" DOS disk in drive B and the "bootup" DOS disk in drive A then type: COPY A:MODE.COM B: (ENTER)	1 file(s) copied
7c		IF YOU HAVE A SINGLE FLOPPY SYSTEM: Insert the "startup" DOS disk in drive A and type: COPY A:MODE.COM B: (ENTER)	1 file(s) copied

8	Remove the DOS diskette from the computer		
9a	List your PATH statement	Type: PATH	Your PATH statement
9b	If NO PATH appears go to Step 10a		
9c	If a PATH statement appears, copy it to LJMODE	Type: PATH>LJMODE	PATH>LJMODE
10a	Enter the MODE statement for PARALLEL, if you have a parallel cable	Type: ECHO MODE LPT1: , , P>>LJMODE	ECHO MODE LPT1: , , P>>LJMODE
10b	Enter the MODE statements for SERIAL, if you have a serial cable	Type: ECHO MODE COM1:9600,N,8,1,P>>LJMODE (ENTER) ECHO MODE LPT1:=COM1: >>LJMODE (ENTER)	ECHO MODE COM1:9600,N,8,M,1,P>>LJMODE  ECHO MODE LPT1:=COM1: >>LJMODE
11	Verify your LJMODE file	Type: TYPE LJMODE	Your LJMODE file
12	If your MODE statement or statements contain a mistake, go back to Step 9a		
13	Insert the mode statements in your AUTOEXEC.BAT file	Type: COPY LJMODE+AUTOEXEC.LJ AUTOEXEC.BAT (ENTER)	1 file(s) copied
14	Verify that your AUTOEXEC.BAT file is correct	Type: TYPE AUTOEXEC.BAT	Your AUTOEXEC.BAT file
15	Delete the temporary LJMODE file	Type: DEL LJMODE (ENTER)	Your root prompt
16	Reboot your computer	Hold down the (Ctrl) key and the (Del) key and the (Alt) key at the same time	1) A blank screen 2) Your computer prompt

† If you need to recover your original AUTOEXEC.BAT file later, type: COPY AUTOEXEC.LJ AUTOEXEC.BAT

**Continue to section X.**

# Verify Communication Between the Computer and Printer



## To Verify Communication Between MS-DOS and Your Printer:

1. Make sure your computer and printer are turned on and your printer is on-line.
2. At the MS-DOS prompt, type DIR>PRN and press **ENTER**. The computer will send a list of files to your LaserJet III P and the **Form Feed** indicator will light to indicate the printer has received this data.
3. Press the **ONLINE** key to take the printer off-line and press the **FORMFEED** key to eject the last page. The root directory should have printed, if not see the table below.
4. Press the **ONLINE** key to put the printer back on-line in preparation to receive more data.

## Problems with printing the root directory

SYMPTOM	PROBLEM	SOLUTION
You have a 40 ERROR message on your printer display. (Serial Printers Only)	You have turned off the printer while it was receiving data, or your printer's baud rate doesn't match the computer's.	Check your interface and cable. Check your AUTOEXEC.BAT file for errors.
An error message appears when you reboot the computer. After you type DIR>PRN Write fault error writing device Abort, Retry, Ignore, Fail? appears.	You entered the wrong MODE statement for your type of cable or your MODE statement contains an error.	Type A and press ENTER. Then go back to section <b>V</b> and carefully re-enter the MODE statement(s) for your cable, checking to make sure each character is correct.
Your printer doesn't print the root directory list and the root prompt appears on the computer.	Your MODE statement redirects your data to the wrong port or your COM statements do not match.	Go back to section <b>V</b> and carefully re-enter the MODE statement(s) for your cable, checking to make sure each character is correct.
Your computer is not responding to keyboard input after you typed DIR>PRN.	You have correctly configured the computer for your cable, but your printer has been configured wrong	Go back to sections <b>T</b> or <b>U</b> to configure the printer.

If you have problems with your printer, refer to chapter 8 in the *HP LaserJet III P User's Manual* for help.

## Congratulations - You're Done!

You should **SAVE** this document for future reference.

You can now configure your software to work with your new LaserJet III P printer. You can now install any accessories, such as the Optional Lower Cassette or Memory Boards (see the accessory's installation instructions).

# Notes

# Notes





# Notes