

# HP Integral

## Logic PCB Interconnection Pins

LHS of machine  
↑

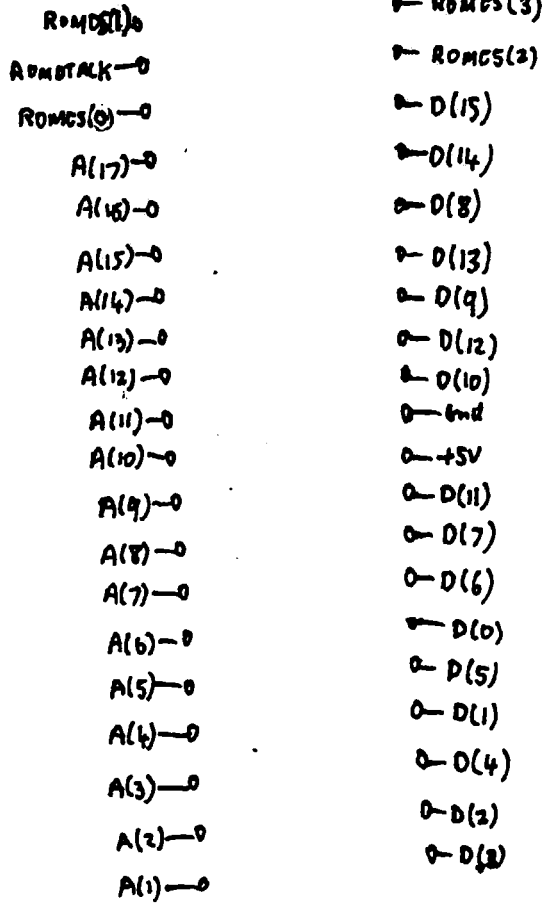
- $\overline{RD}$
- $\overline{WR}$
- $\overline{FDCEs}$
- $\overline{DisCS}$
- $\overline{HP1CS}$
- $\overline{RTCS}$
- $\overline{HP1BCS}$
- $\overline{SphCS}$
- $\overline{Rst}$
- $\overline{IRQ1}$
- $\overline{IRQ3}$
- $\overline{IRQ4}$
- $\overline{IRQ5}$
- $\overline{IRQ6}$
- $\overline{IOA(1)}$
- $\overline{IOA(2)}$
- $\overline{IOA(3)}$
- $\overline{IOA(4)}$
- $\overline{IOA(5)}$
- $\overline{IORct}$
- $\overline{IO0(0)}$
- $\overline{IO0(1)}$
- $\overline{IO0(2)}$
- $\overline{IO0(3)}$
- $\overline{IO0(4)}$
- $\overline{IO0(5)}$
- $\overline{IO0(6)}$
- $\overline{IO0(7)}$

HP Integrat

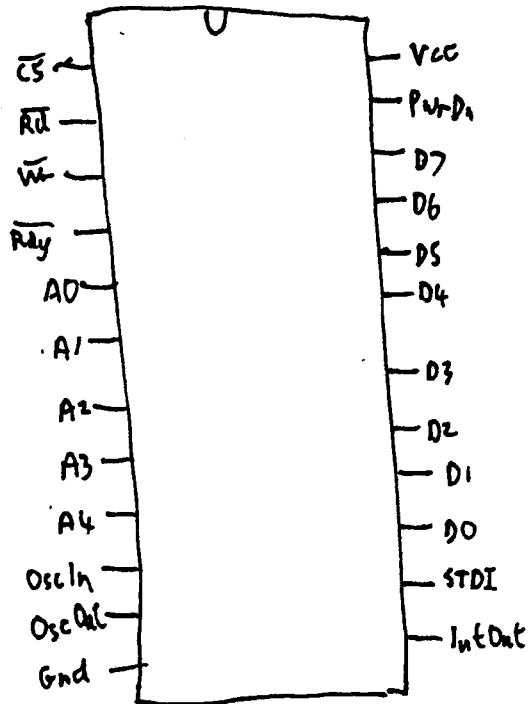
ROM Module Connections

LHS of Machine

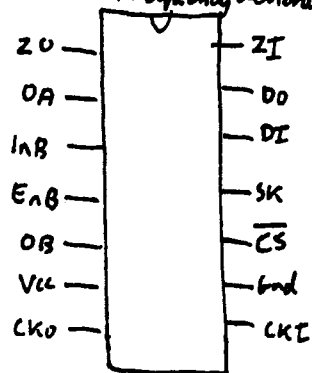
Top ←



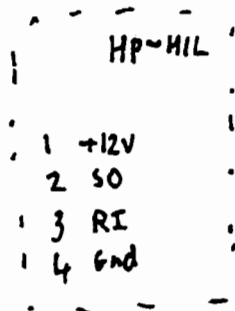
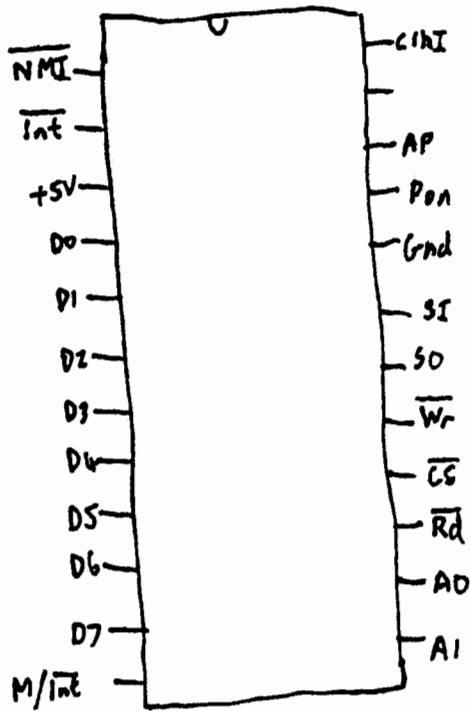
82167  
Real Time Clock



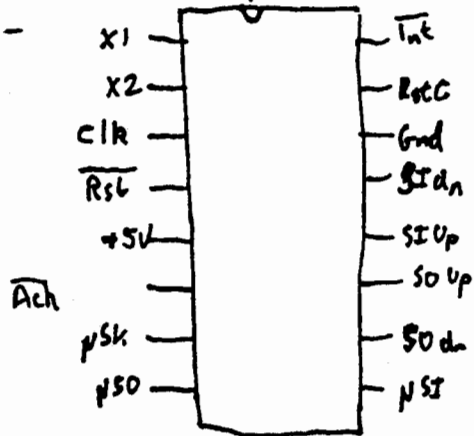
COPL452  
Frequency Generator and Counter



MP-HIL Most  
1RD2

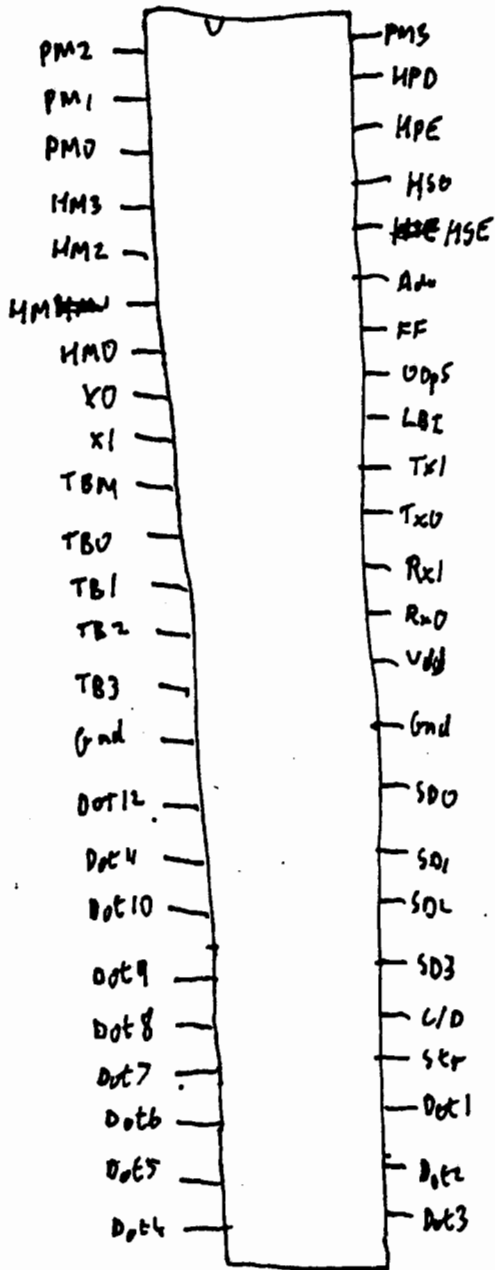


MP-HIL Slave  
1RC8  
1LP7

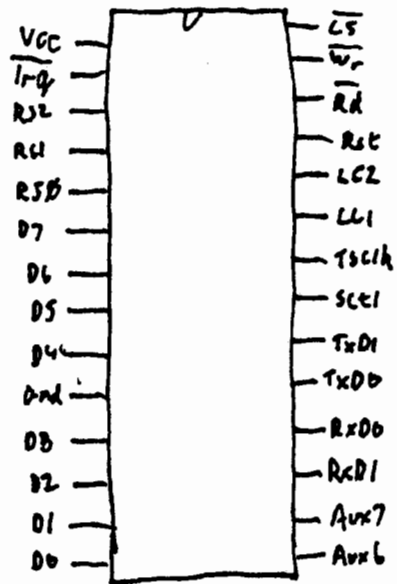


### Thinkjet Printer CPU

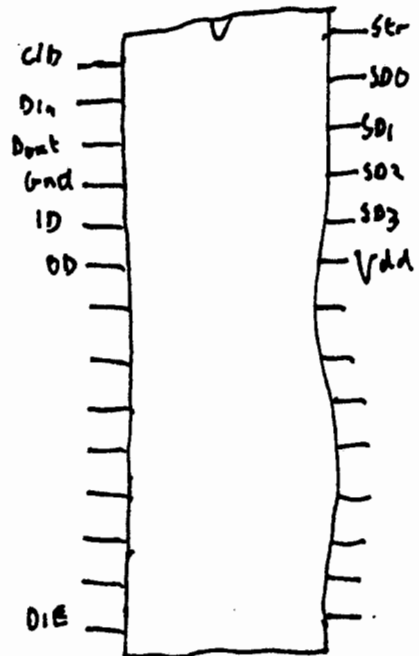
1LJ7



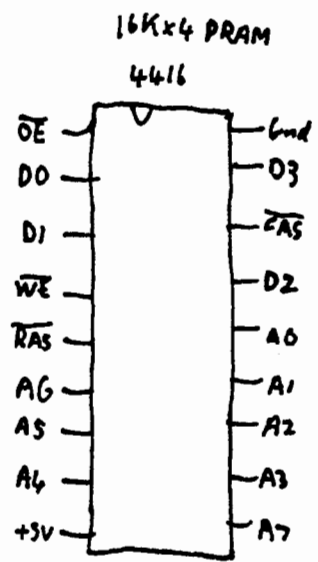
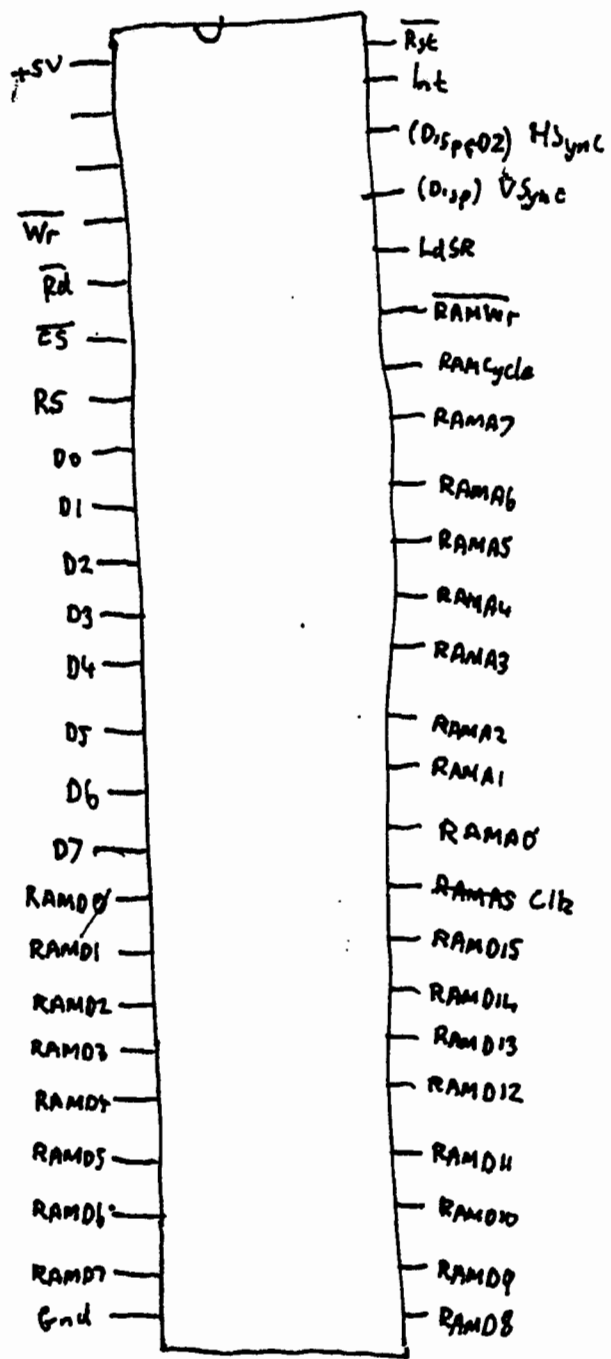
### 1LB3 HPIL Interface

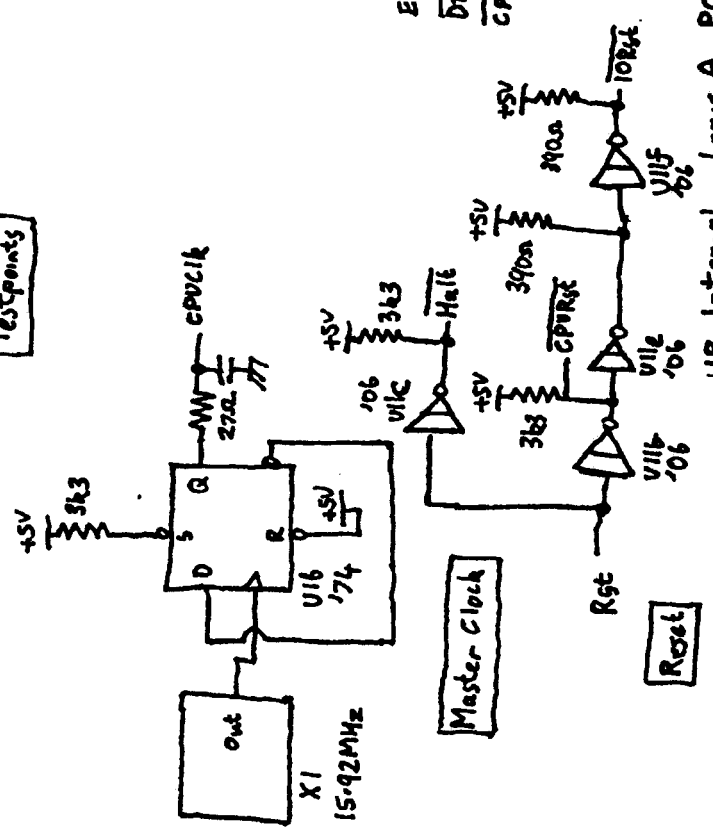
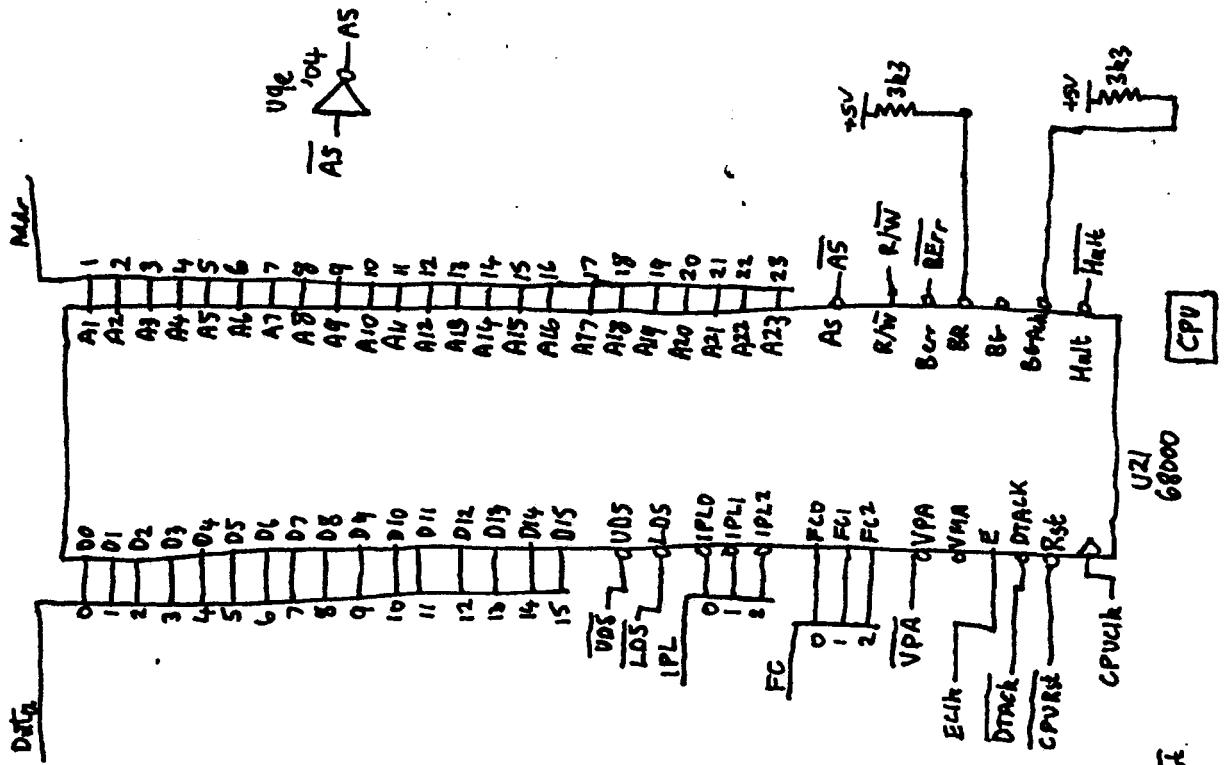


### 1L67 Saturn Rom 1L68 Saturn RAM



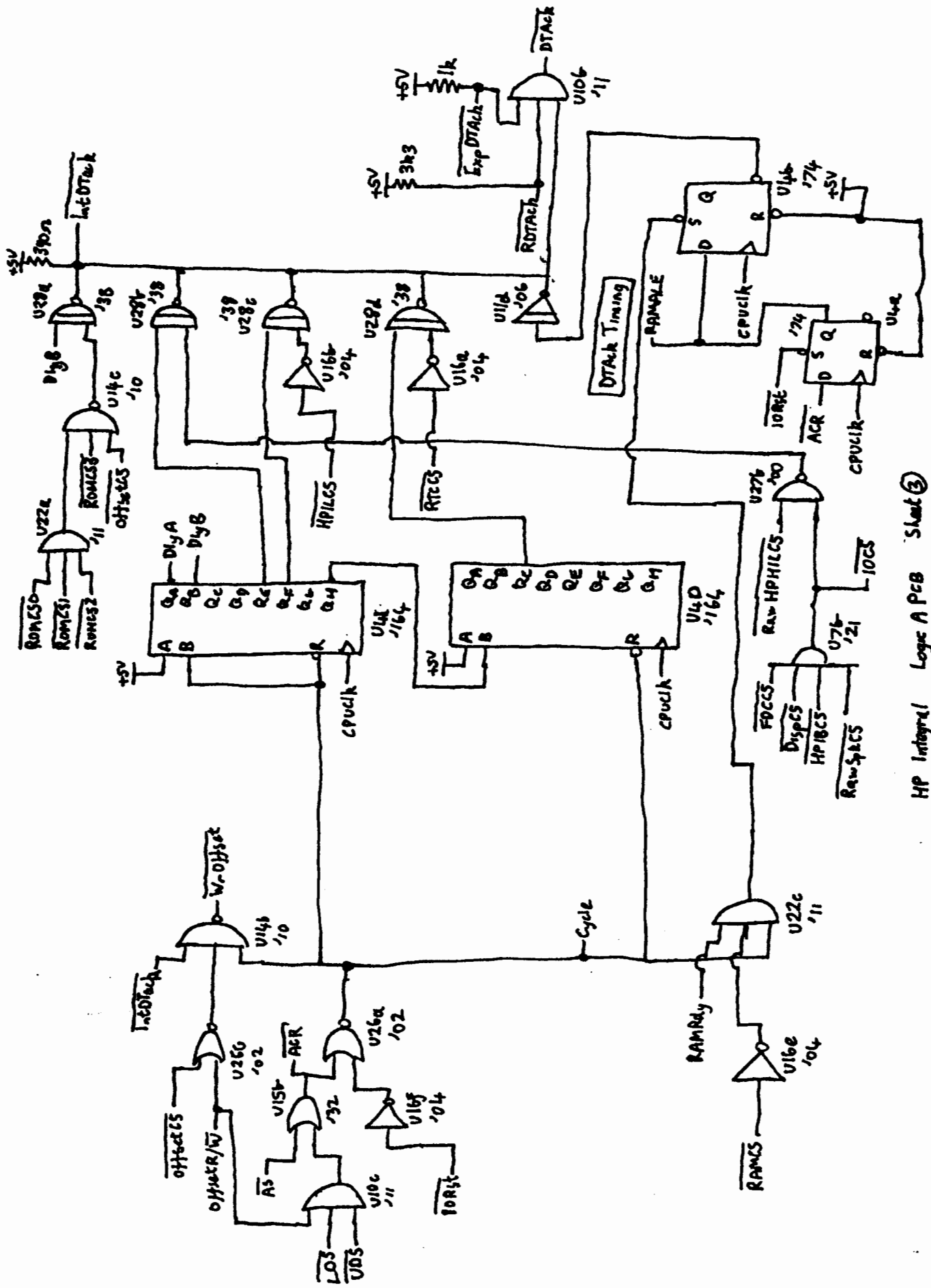
HP Integral  
 Display Controller  
 1LL3-0005



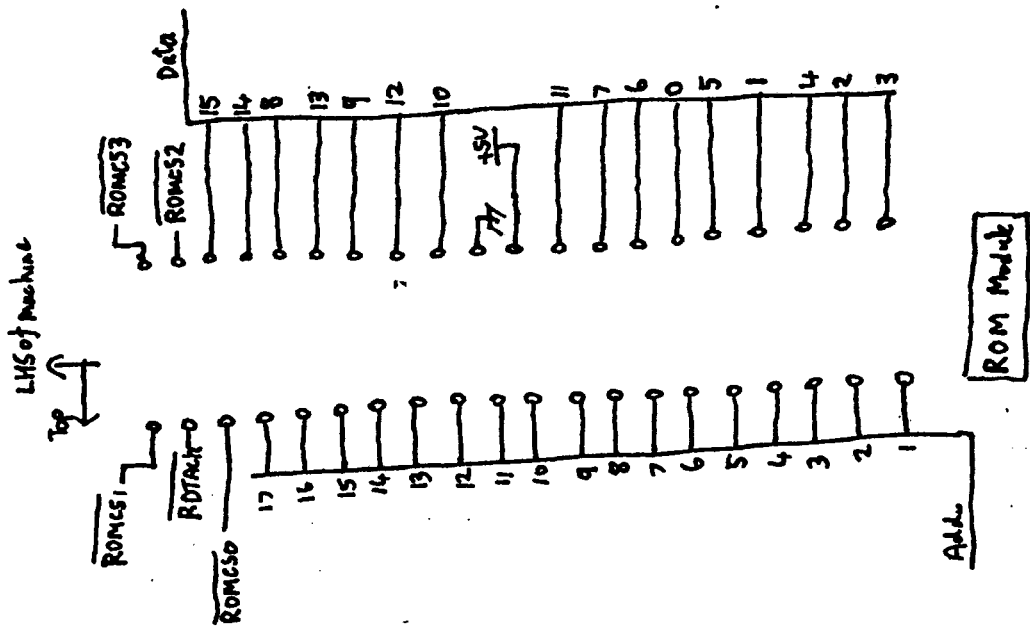
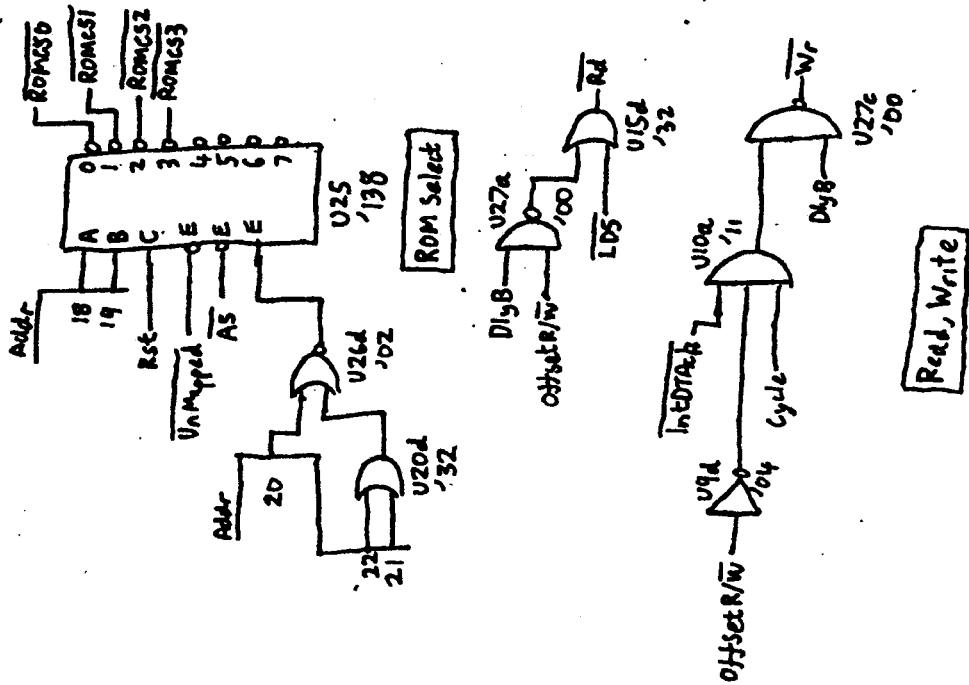


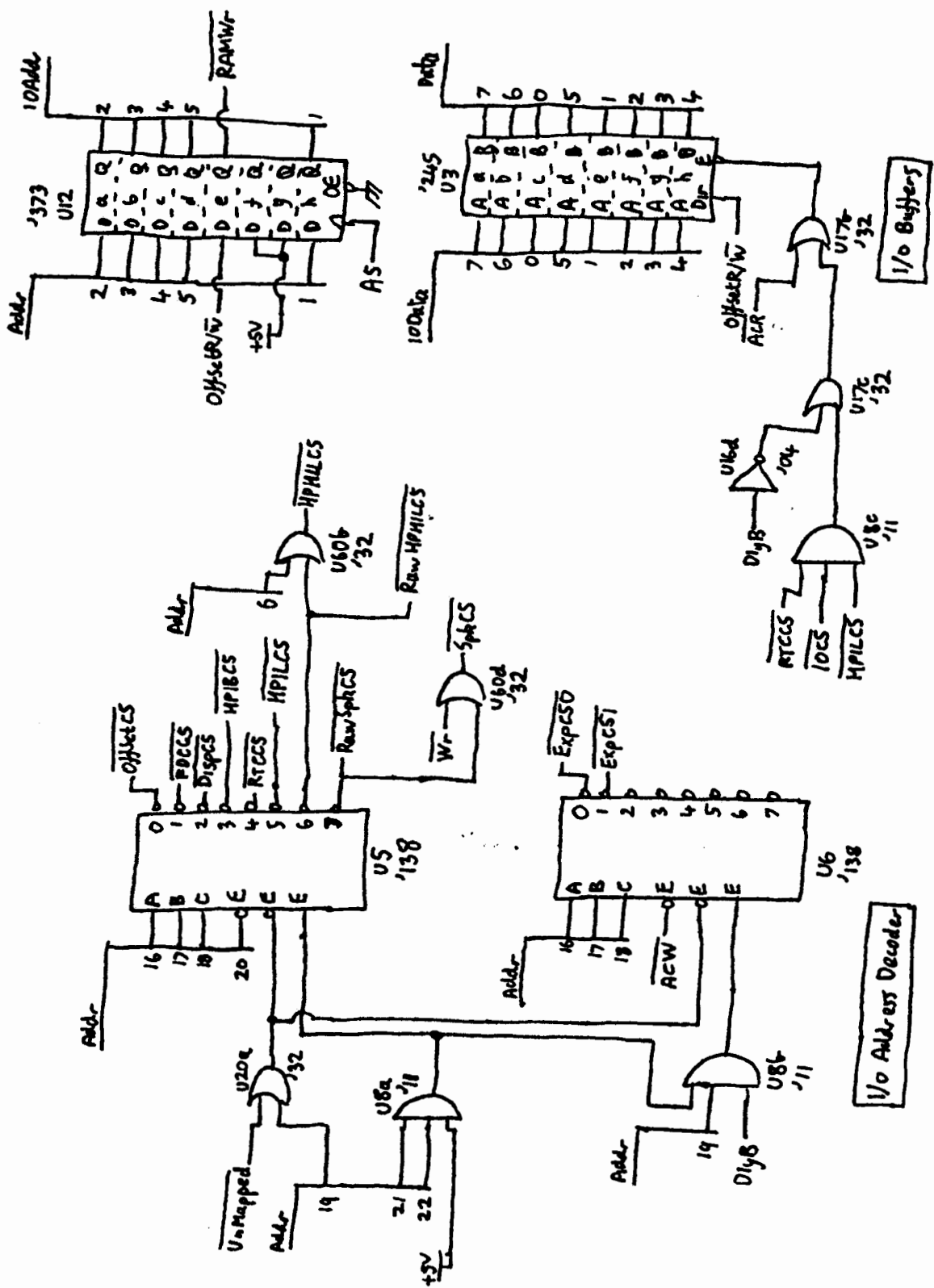






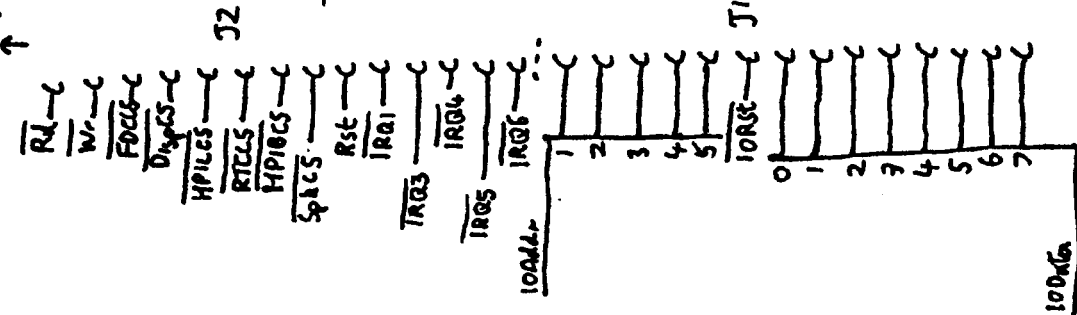
HP Integral Logic A PCB Sheet 3



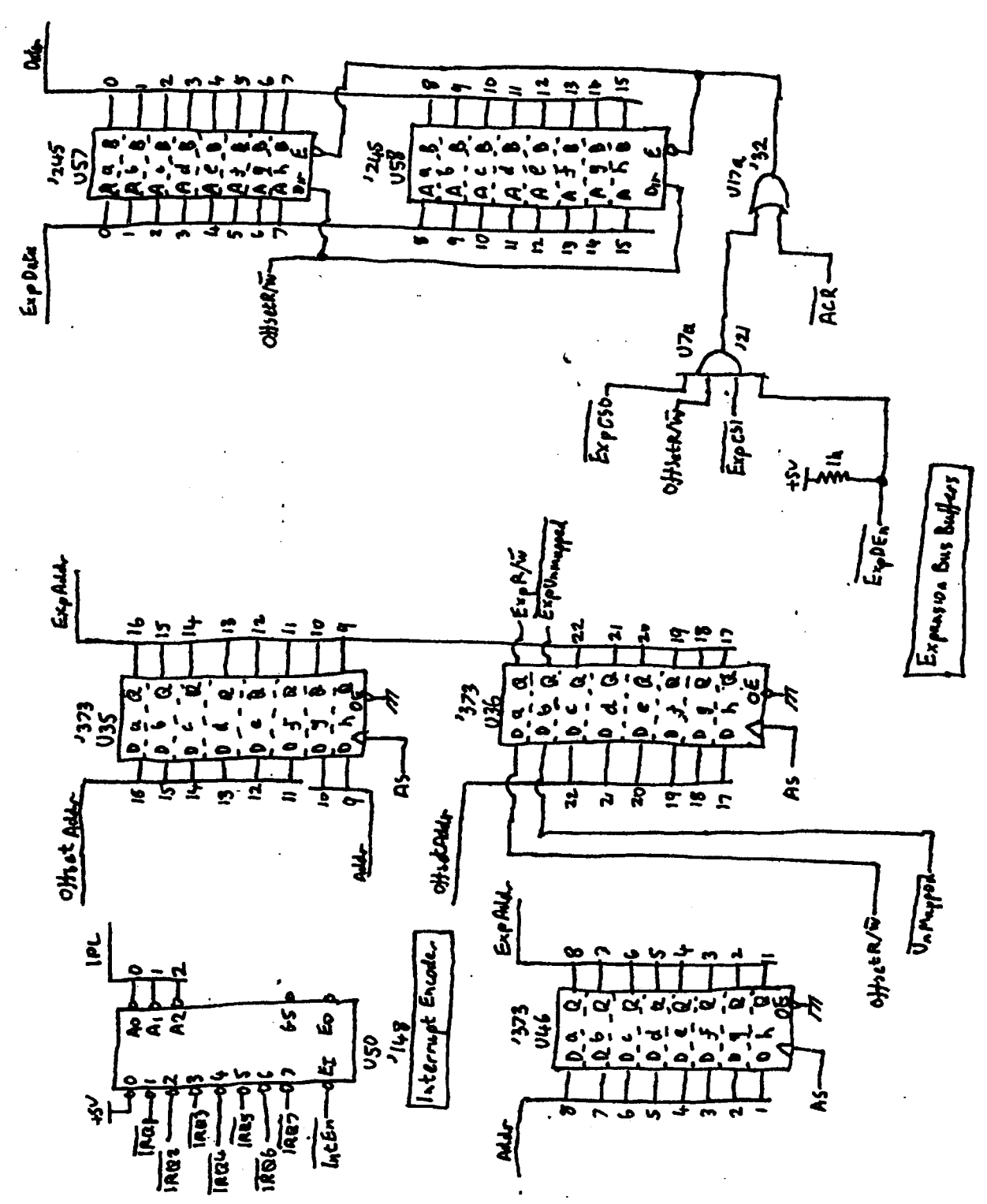


HP Integral Logic A PCB Sheet 5

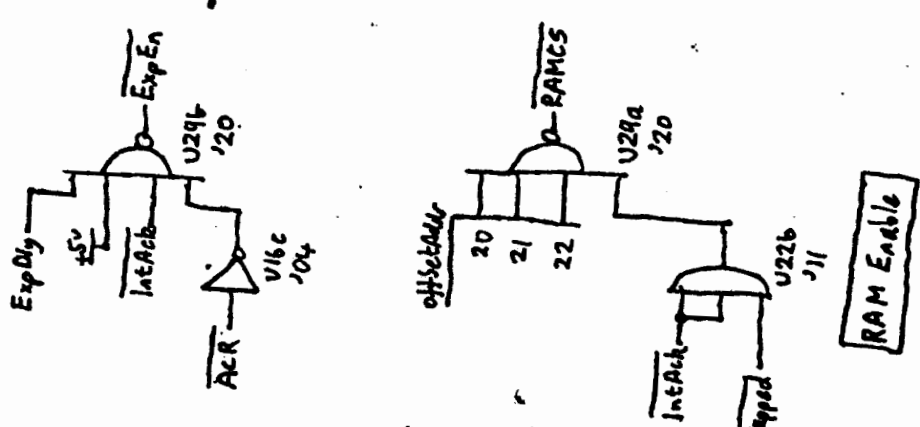
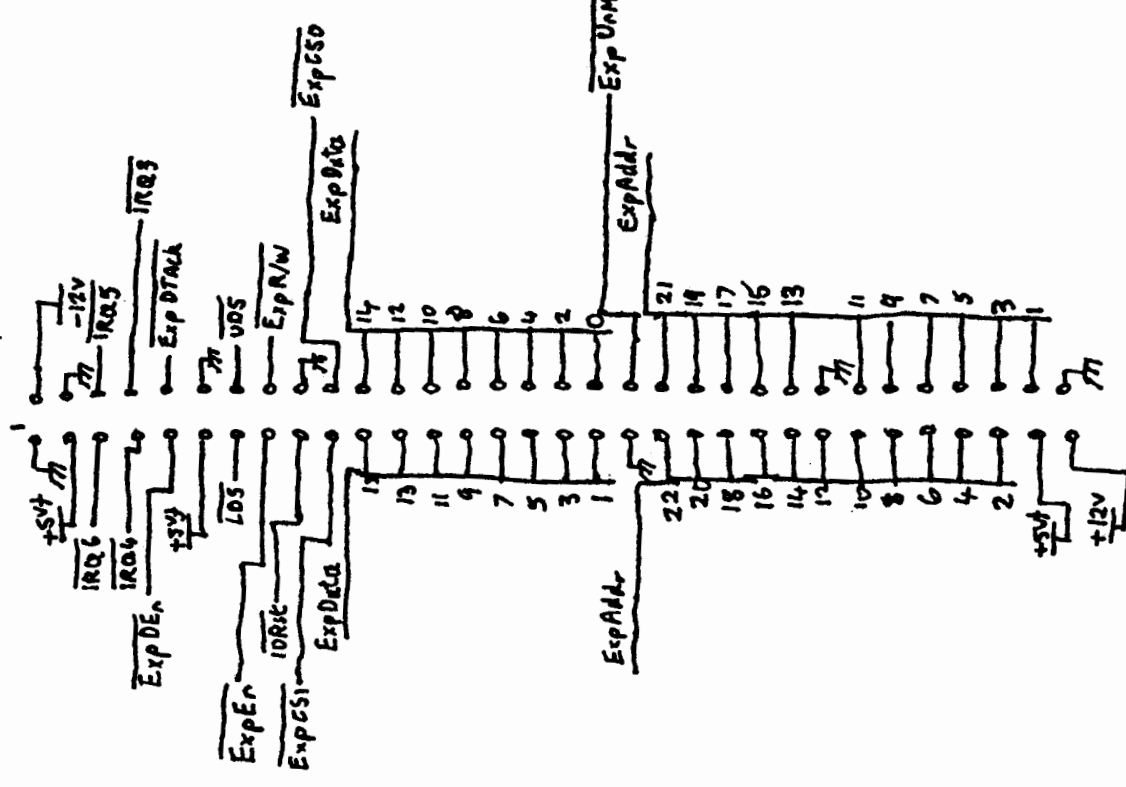
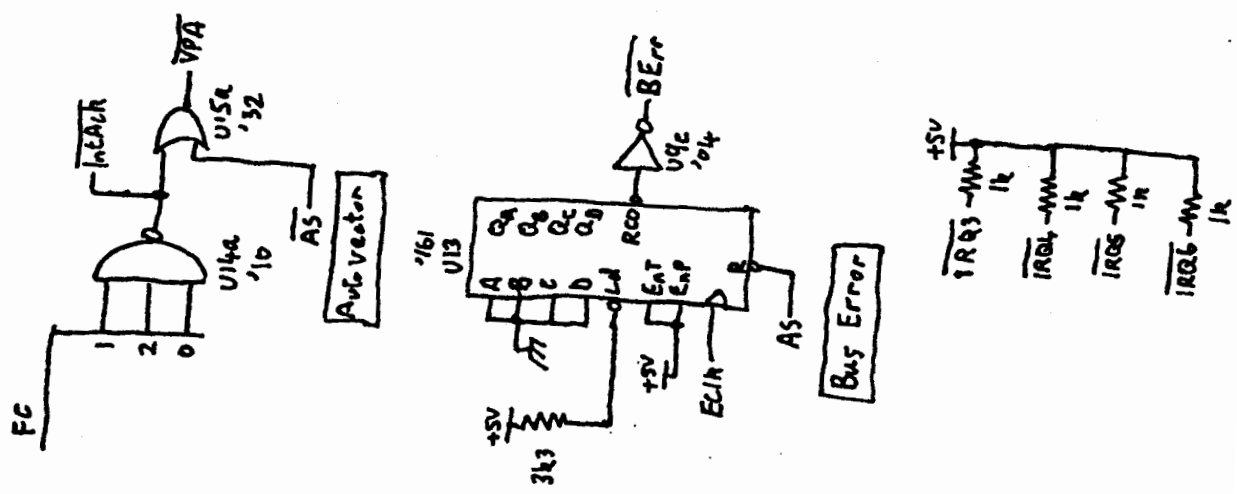
W/S of Machine



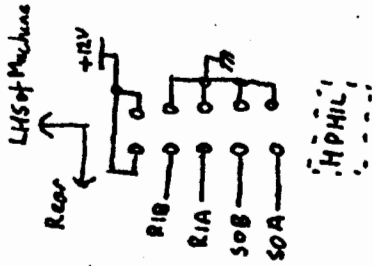
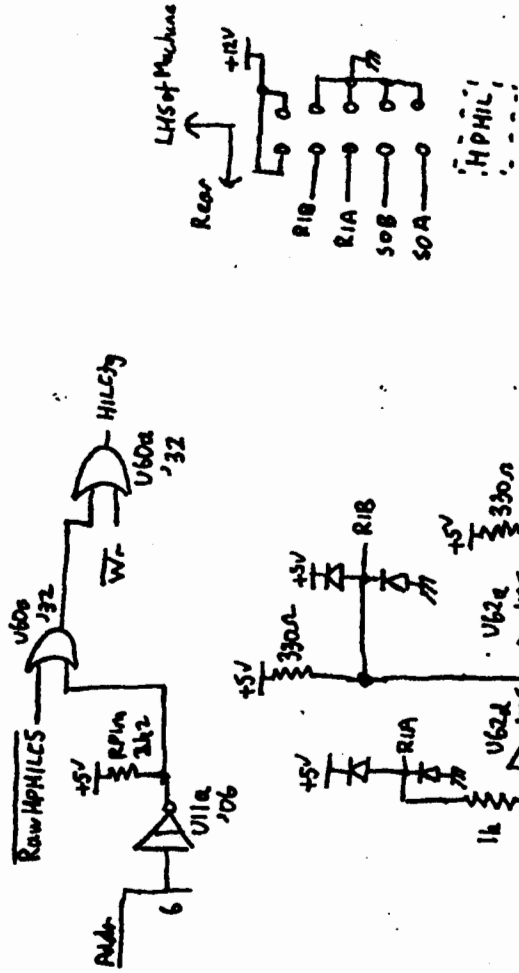
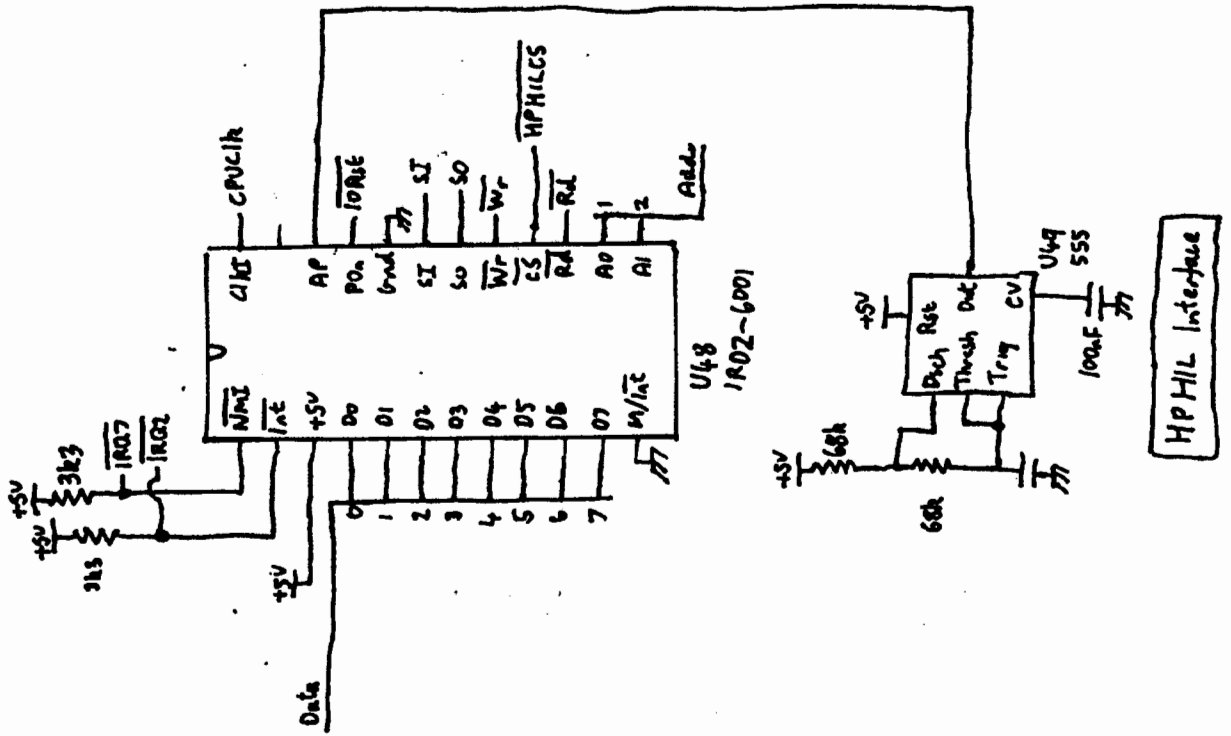
Logic B PCB



LMS of Machine  
Rear

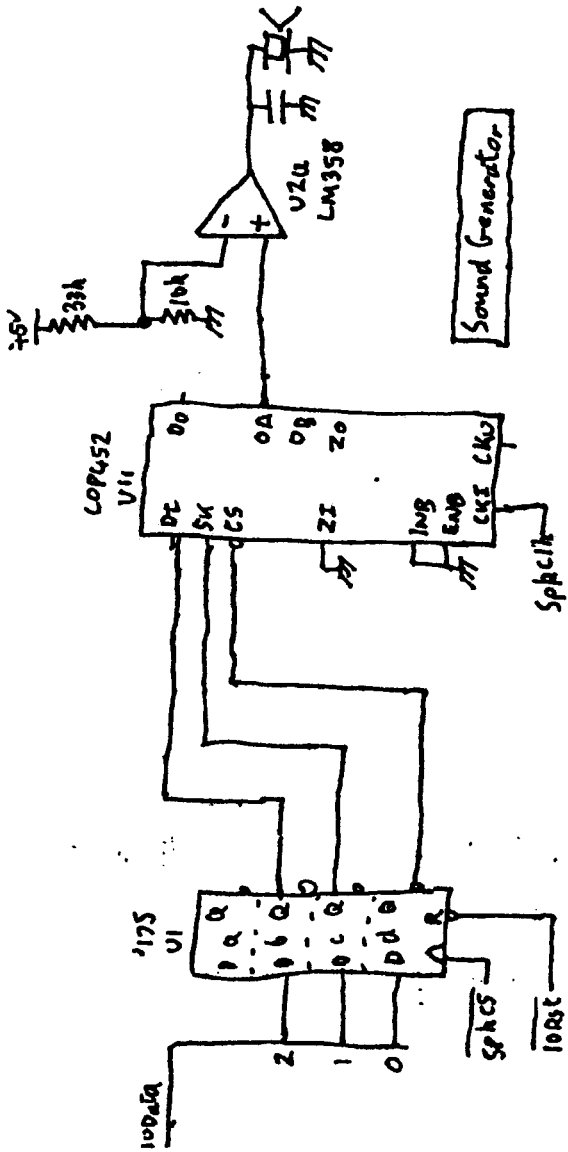
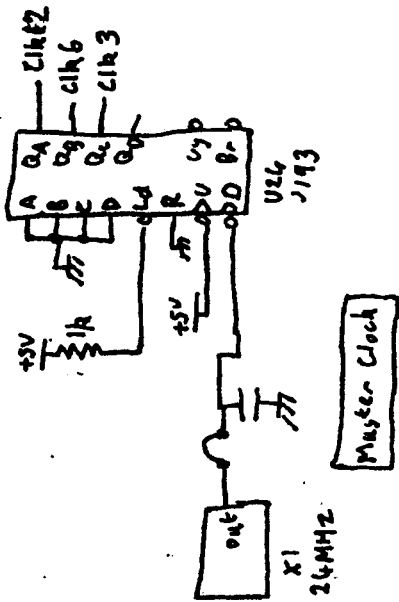
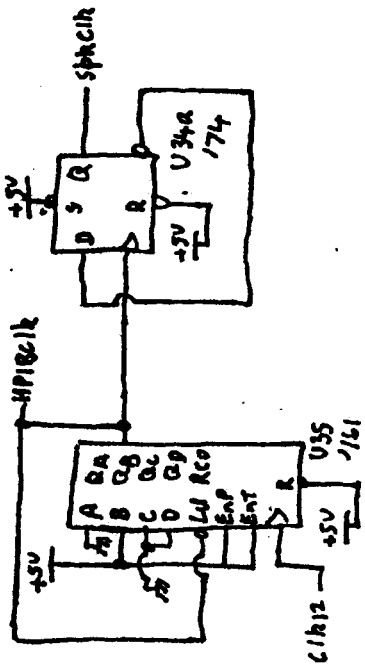






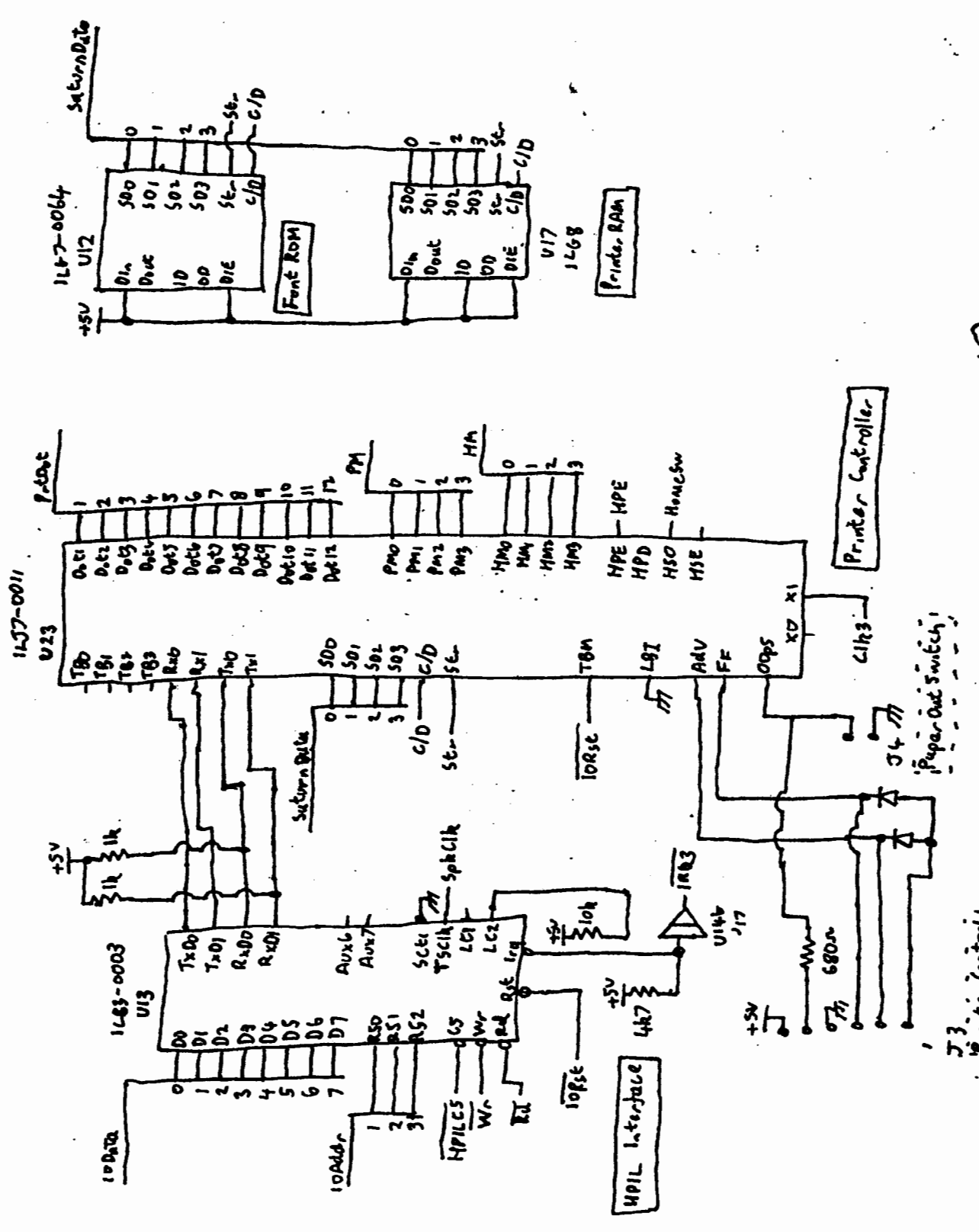


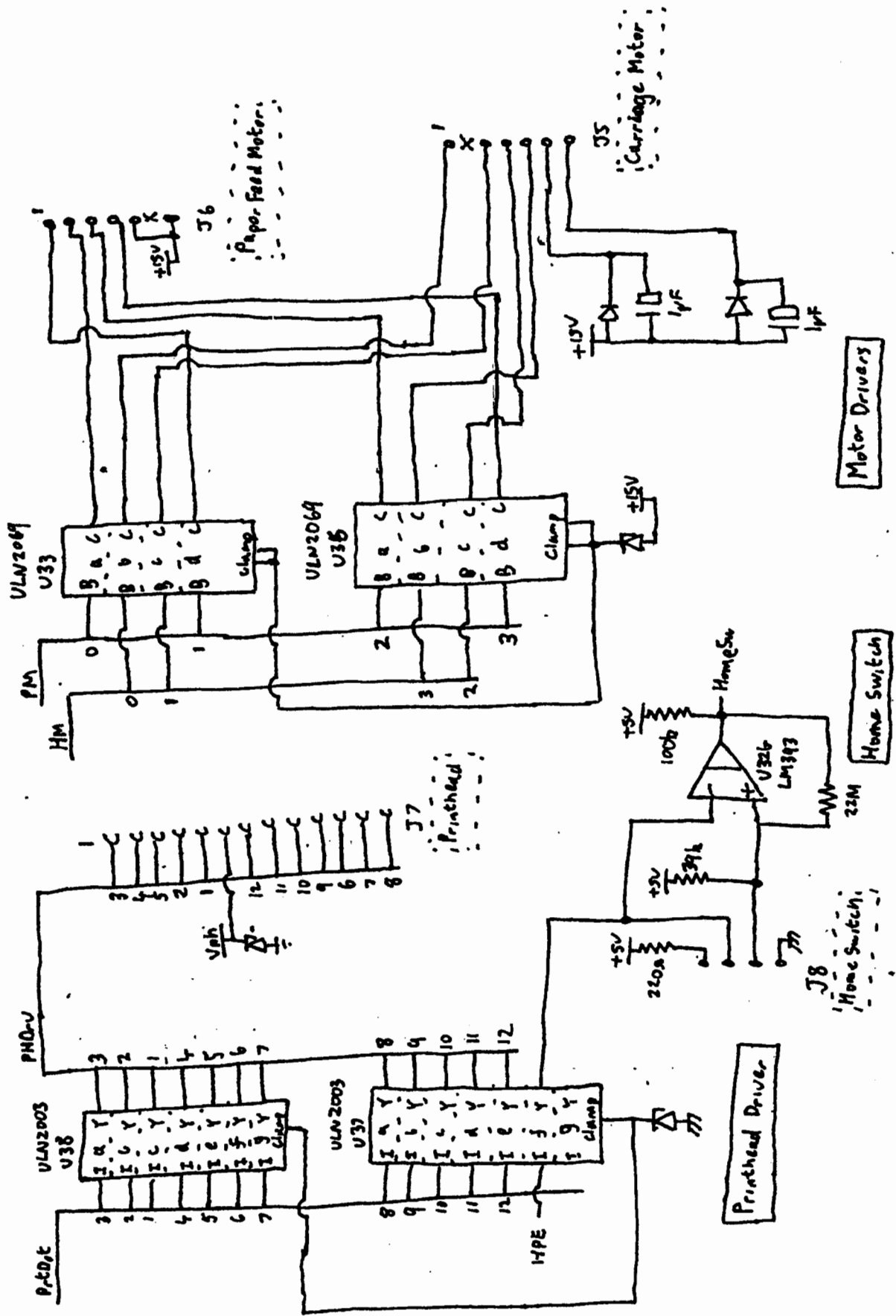






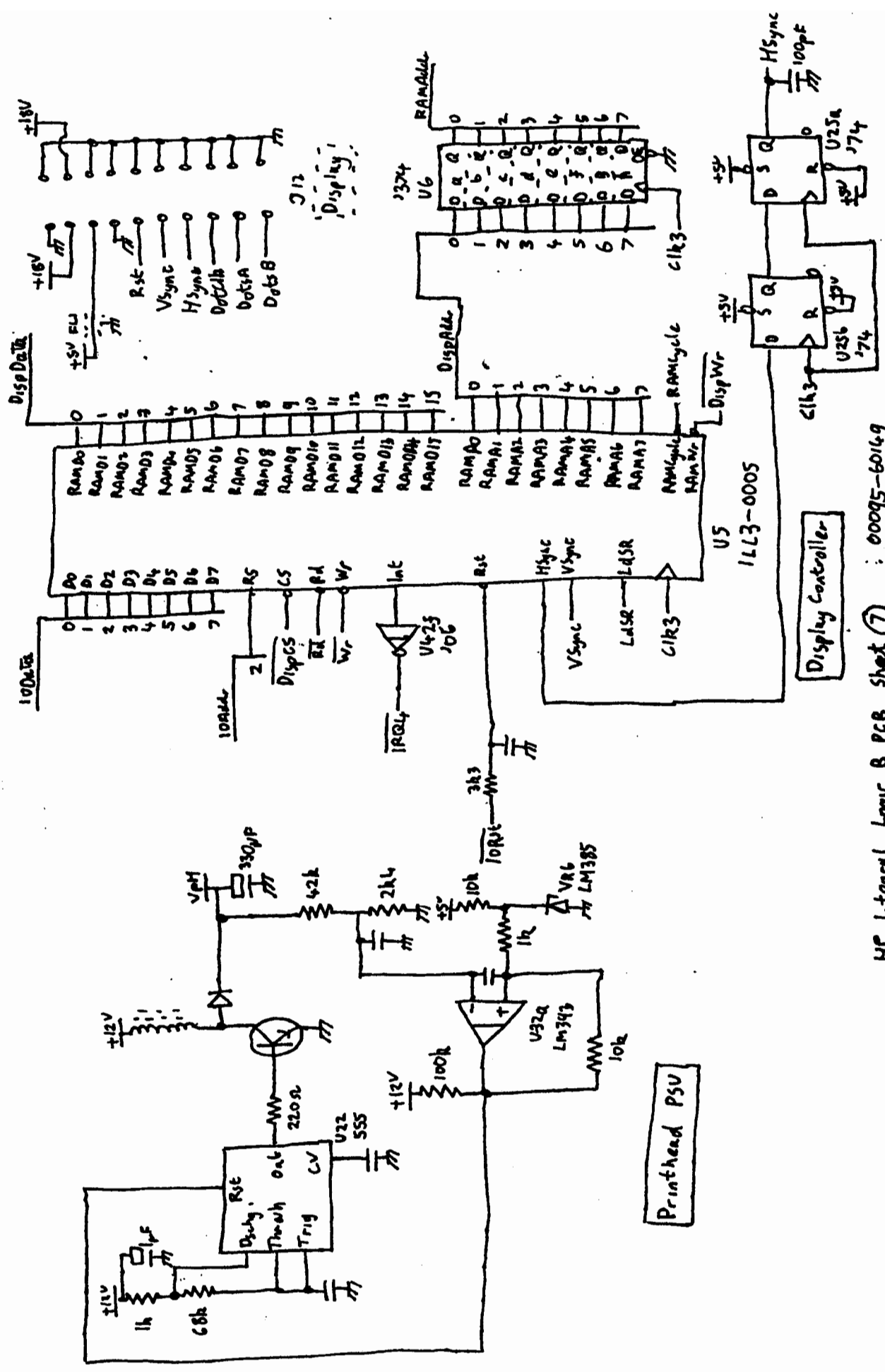


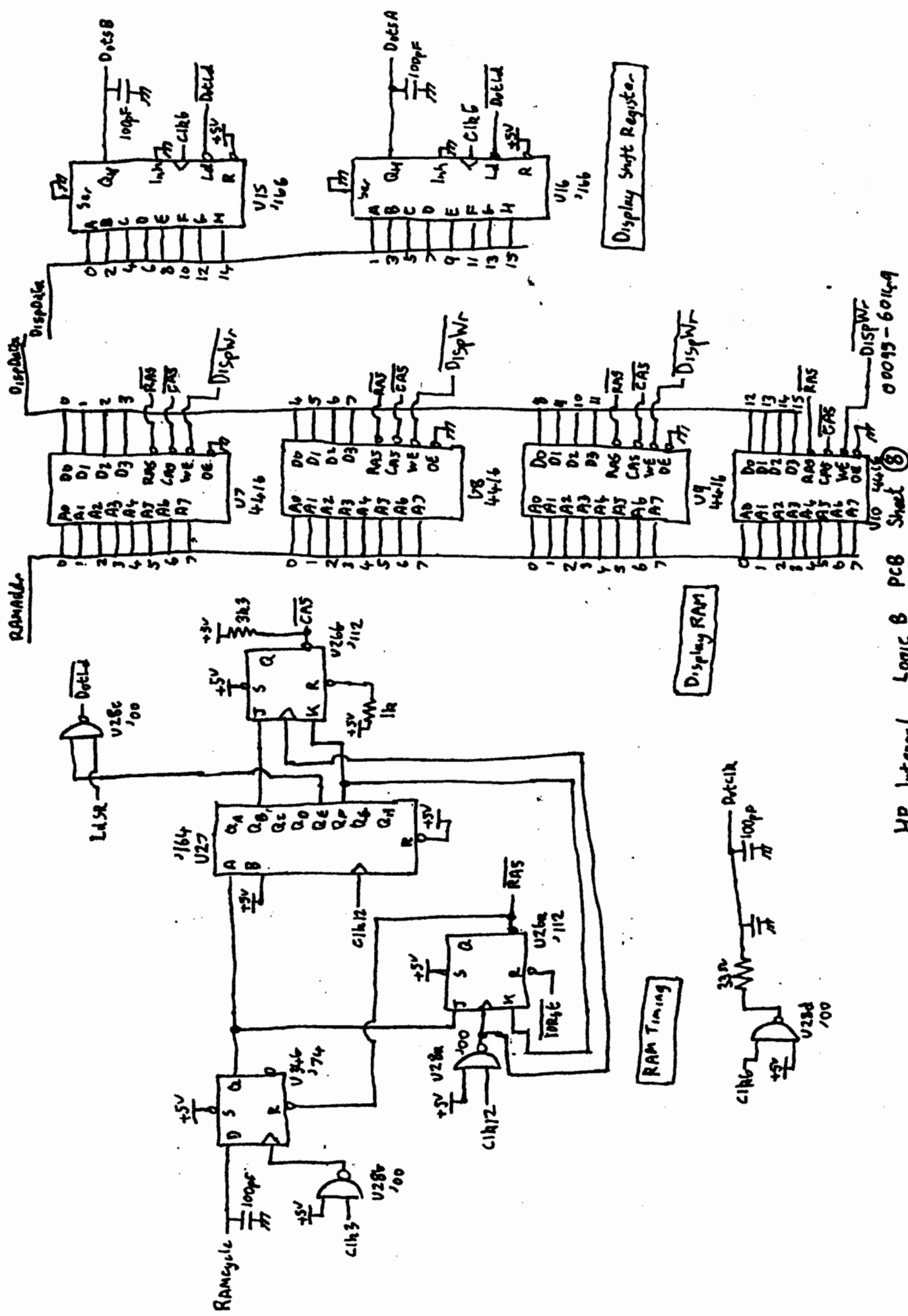


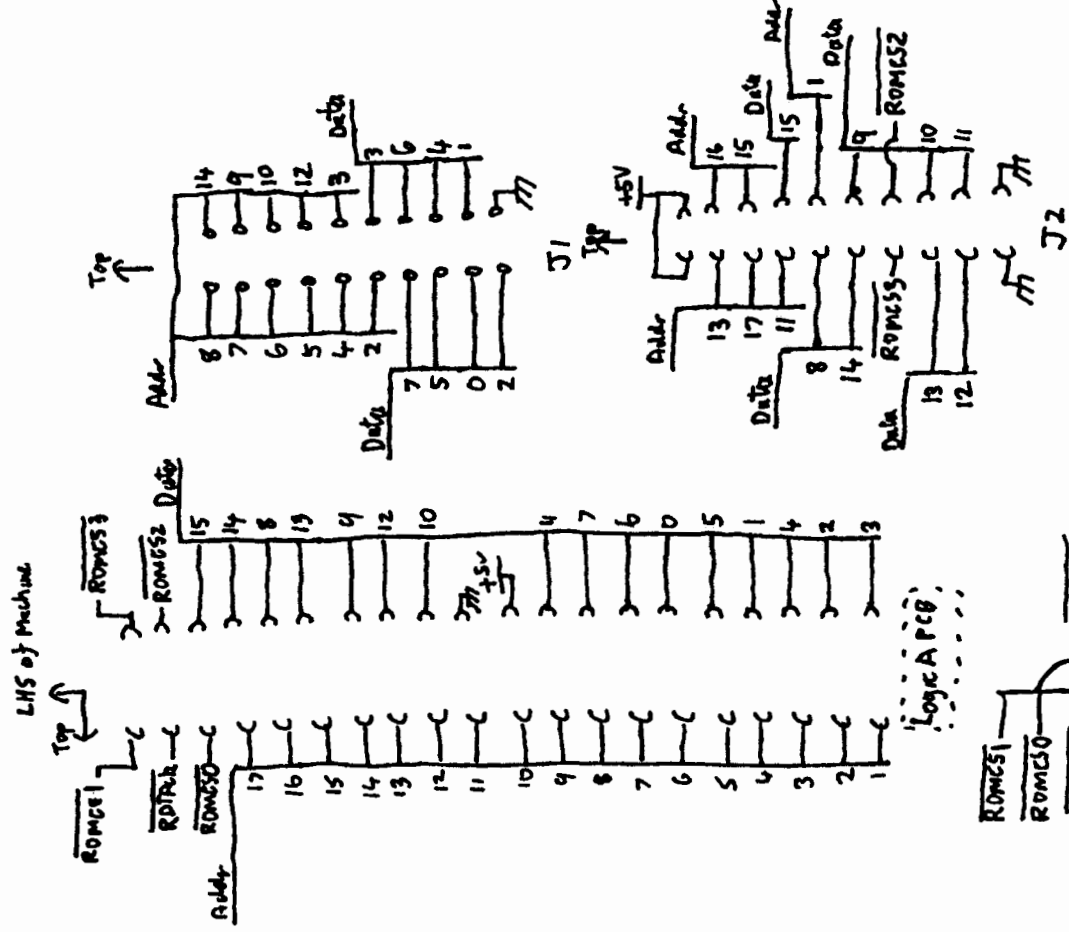
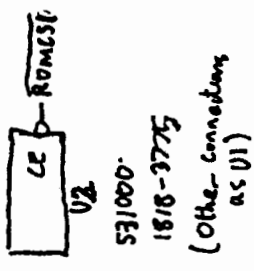
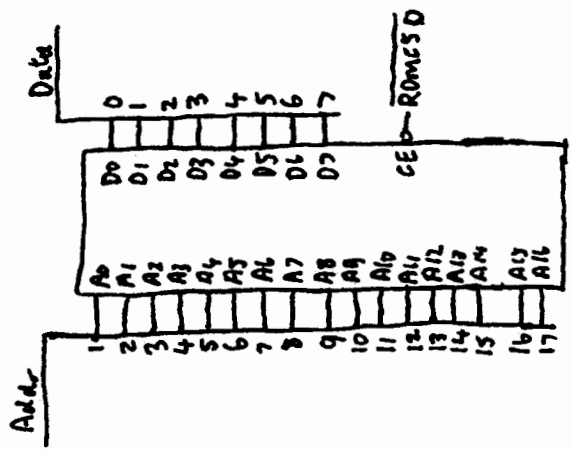
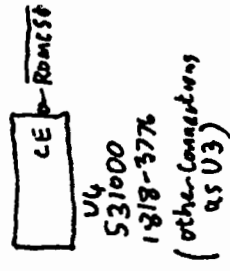
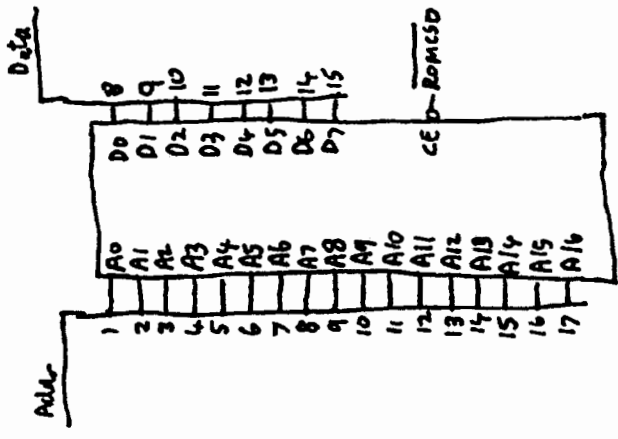


00095-60149

LD L...-1 L... B P.C.R. Sheet (6)



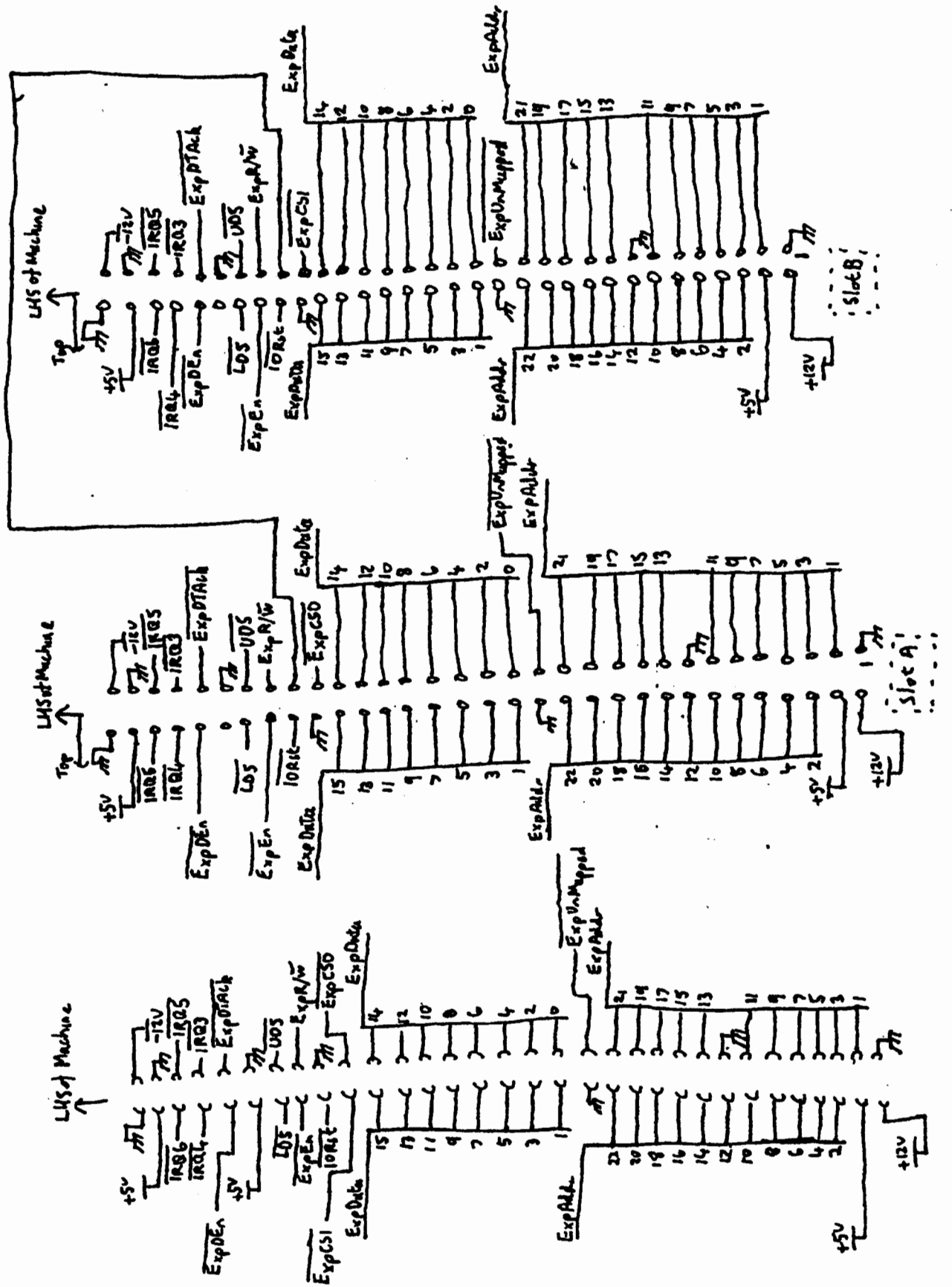


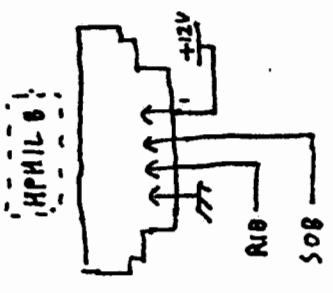
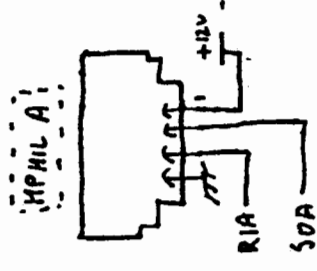
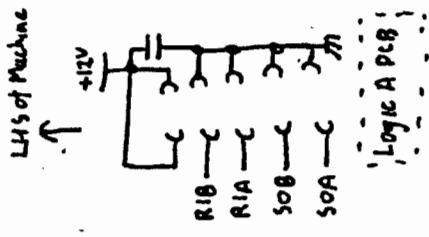


82991-60001

HP Integral ROM Module







PSU

- +5V1 - Br - C
- +5V2 - Br - C
- Gnd1 - Bk - C
- Gnd2 - Bk - C
- +12V - Or - C
- +15V - R - C
- 12V - Pv - C
- Gnd3 - Gn - C
- PwrOk - Y - C
- +18V - W - C

Logic A

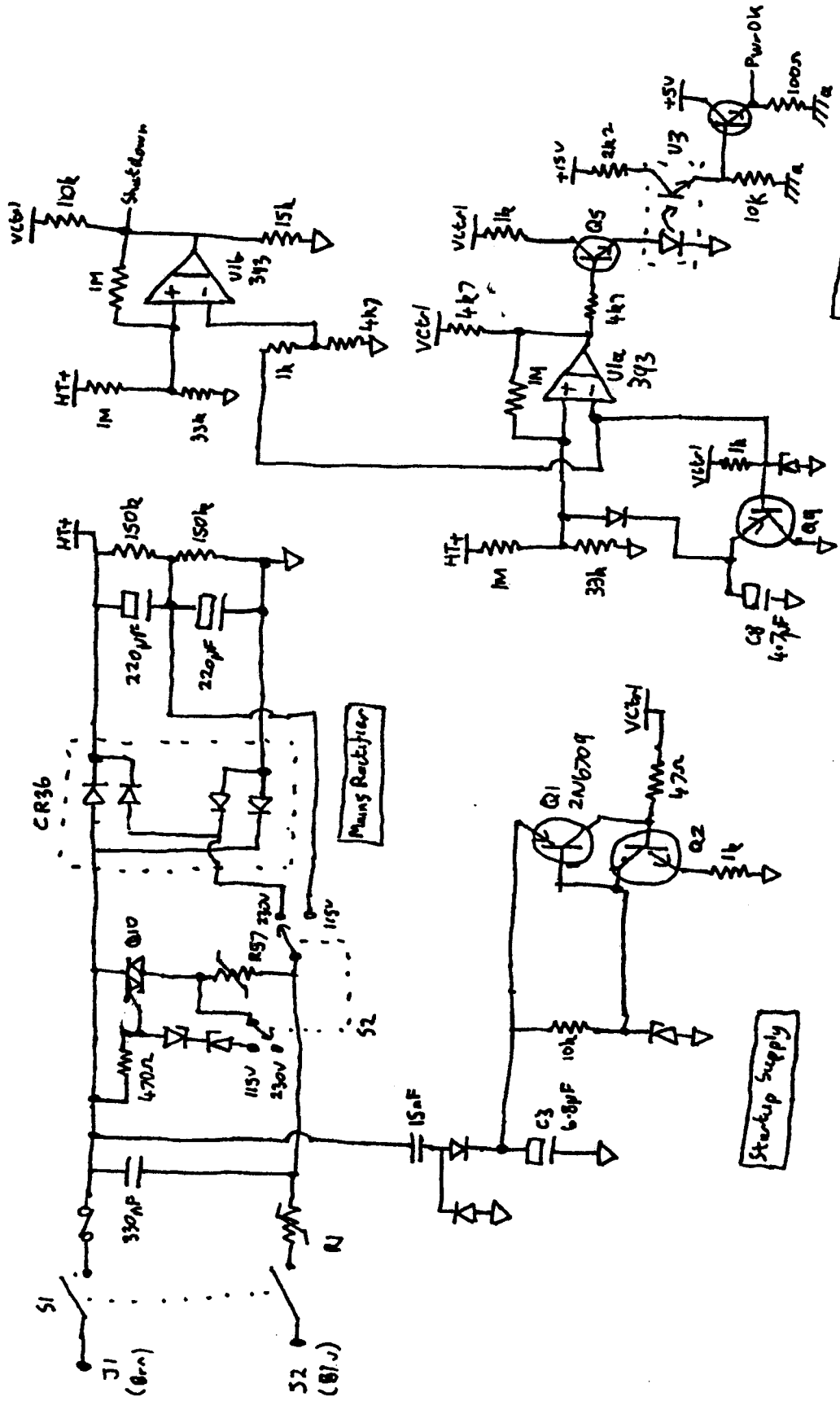
- +5V1 - Br - C
- +5V2 - Br - C
- Gnd1 - Bk - C
- Gnd2 - Bk - C
- +12V - Or - C
- +15V - R - C
- +18V - W - C
- 12V - Pv - C
- Gnd3 - Gn - C
- PwrOk - Y - C

Logic B

- +5V1 - Br - C
- +5V2 - Br - C
- Gnd1 - Bk - C
- Gnd2 - Bk - C
- +12V - Or - C
- +15V - R - C
- +18V - W - C
- 12V - Pv - C
- Gnd3 - Gn - C
- PwrOk - Y - C

Floppy Drive

- +5V2 - Br - C
- Gnd1 - Bk - C
- Gnd2 - Bk - C
- +12V - Or - C



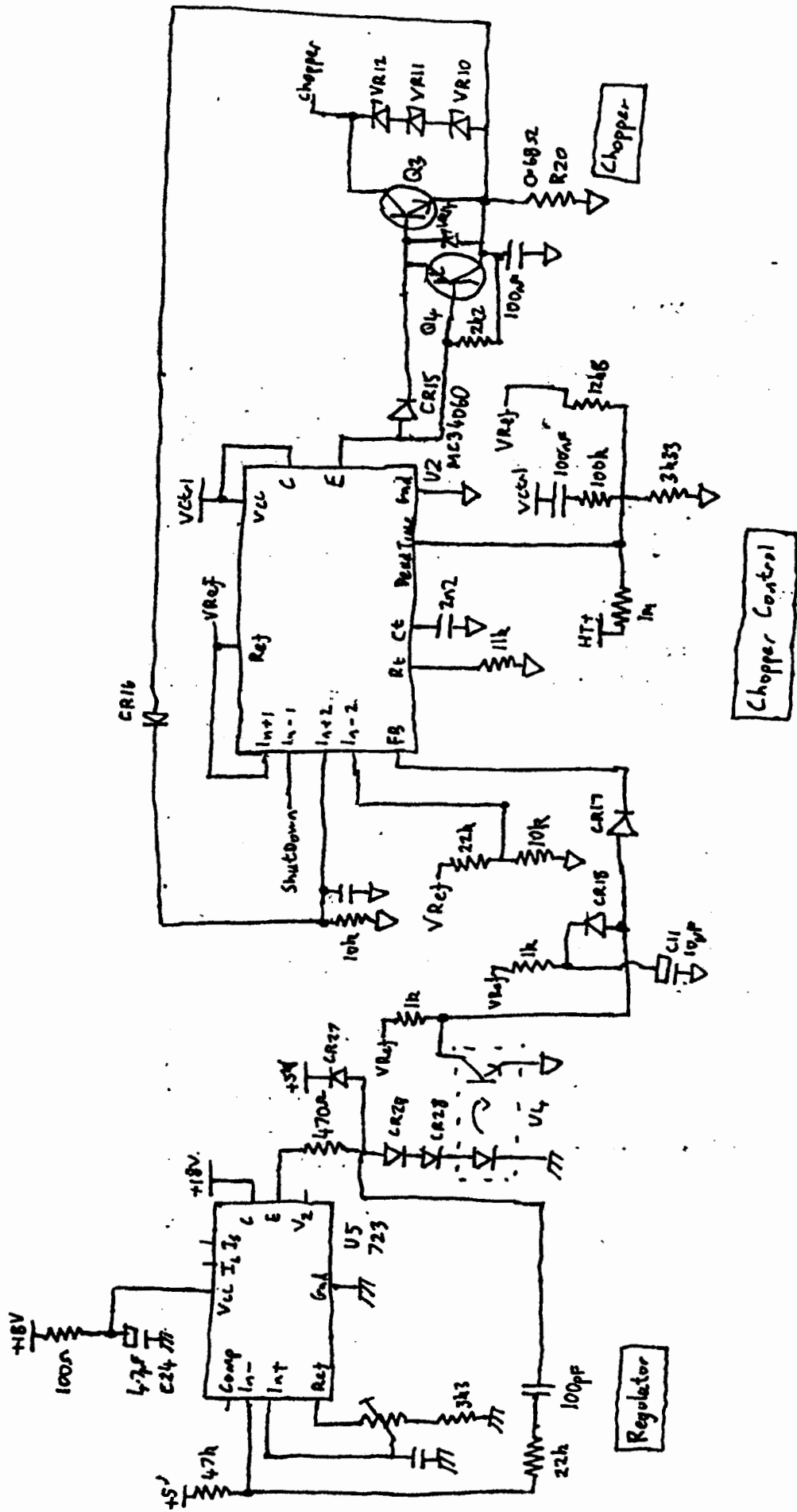
Power-OK

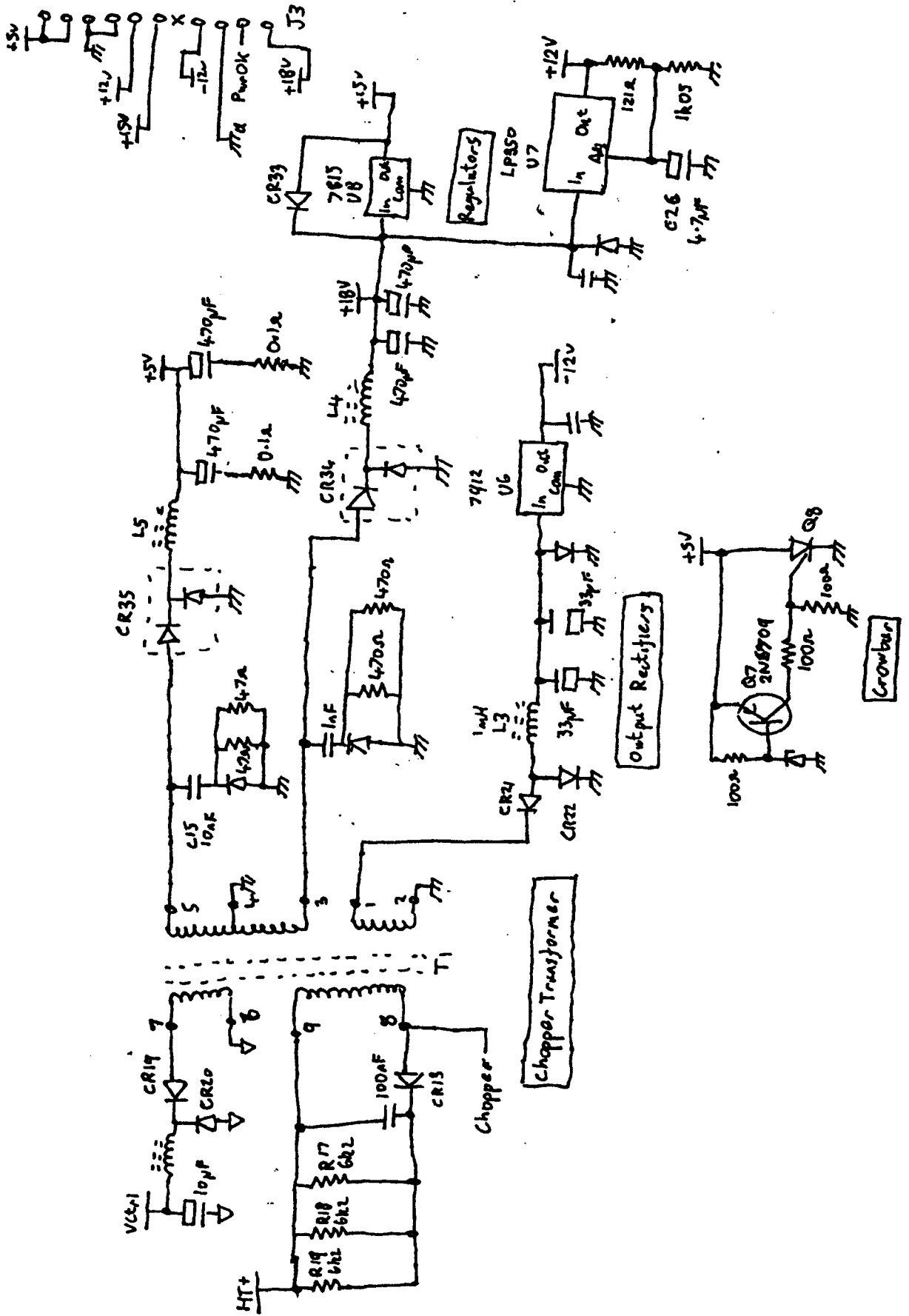
Main Rectifier

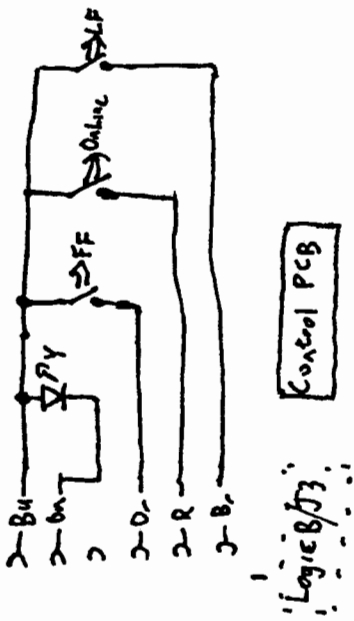
Startup Supply

00095 - 60003

HP Integral PSU PCB sheet 1

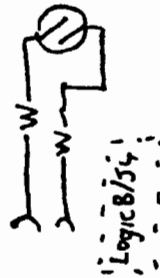






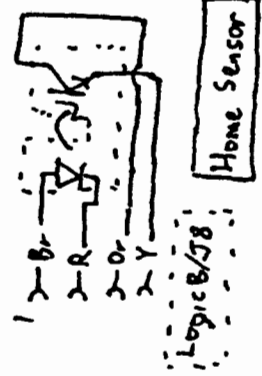
Control PCB

Logic B/J3



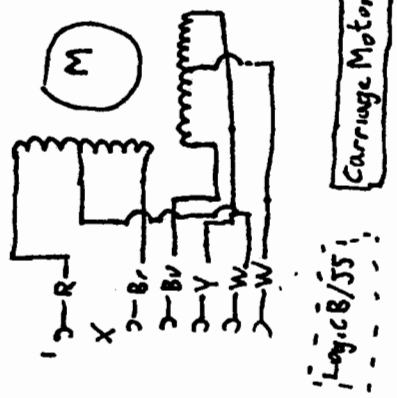
Out of Paper Switch

Logic B/54



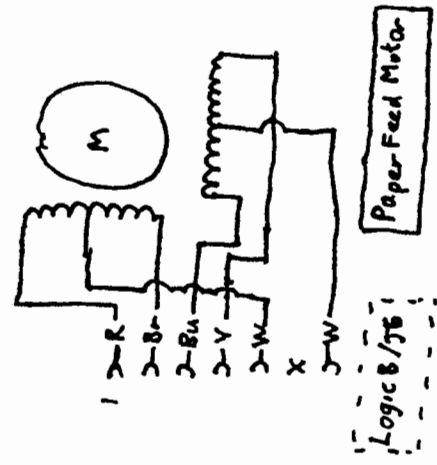
Home Sensor

Logic B/58



Carriage Motor

Logic B/55

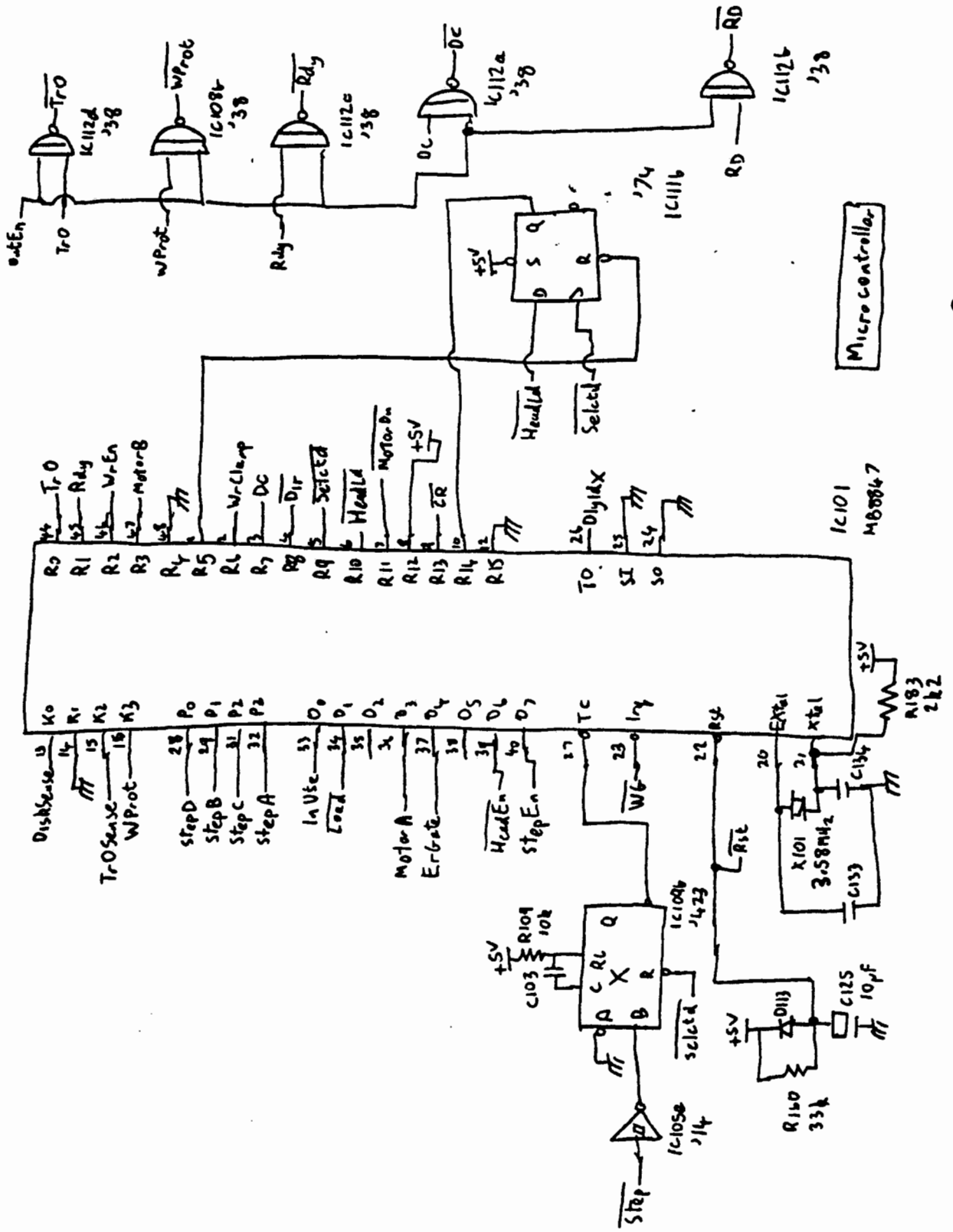


Paper Feed Motor

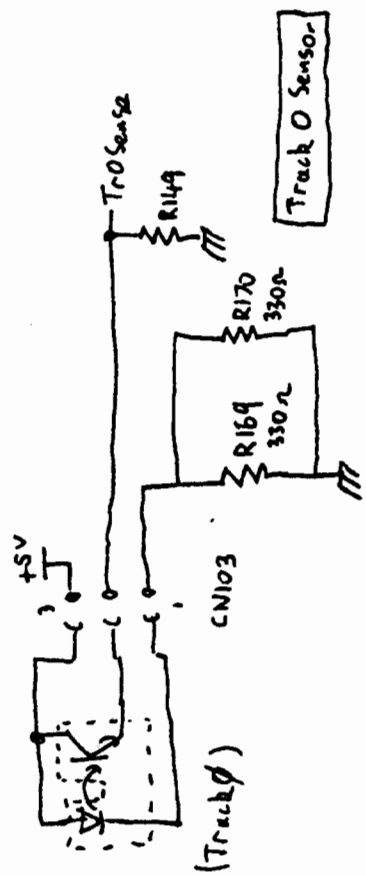
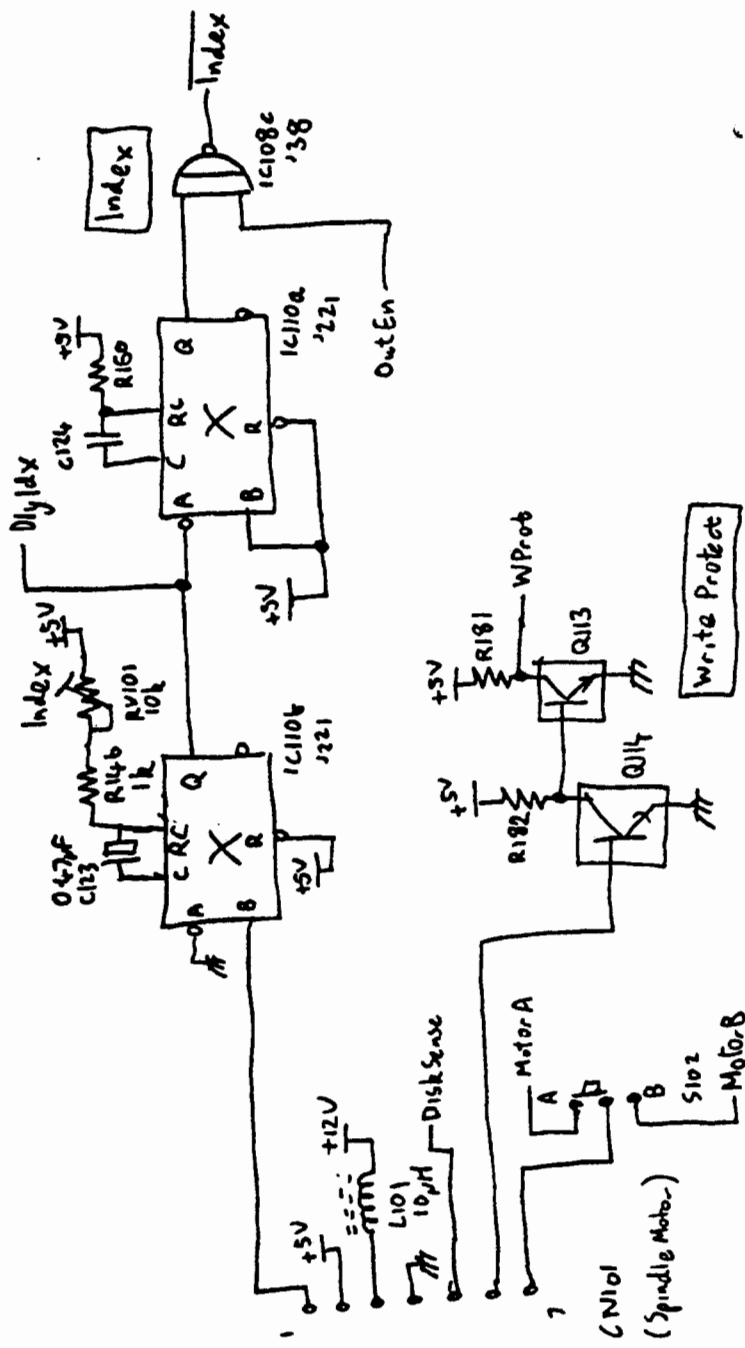
Logic B/56



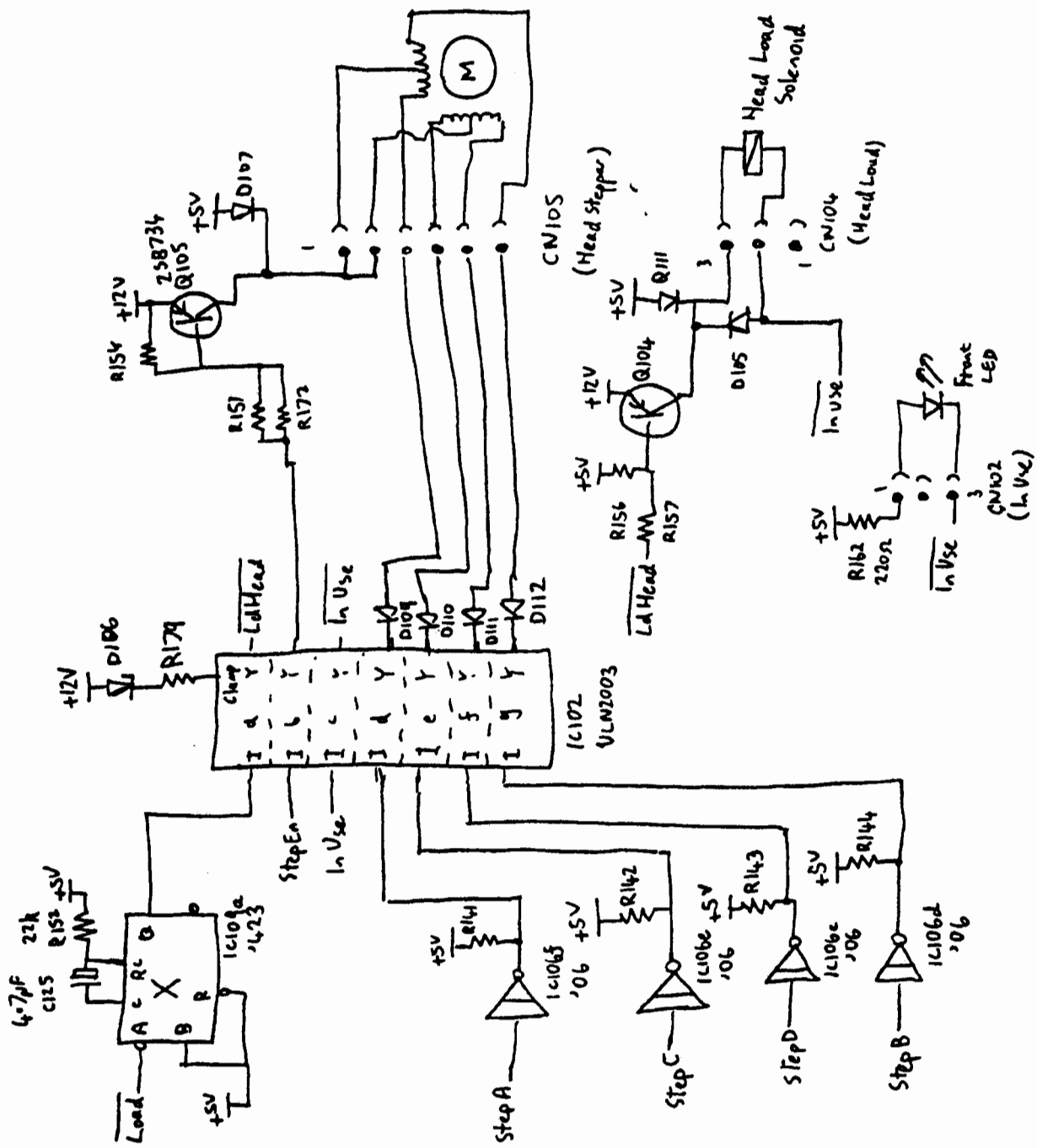




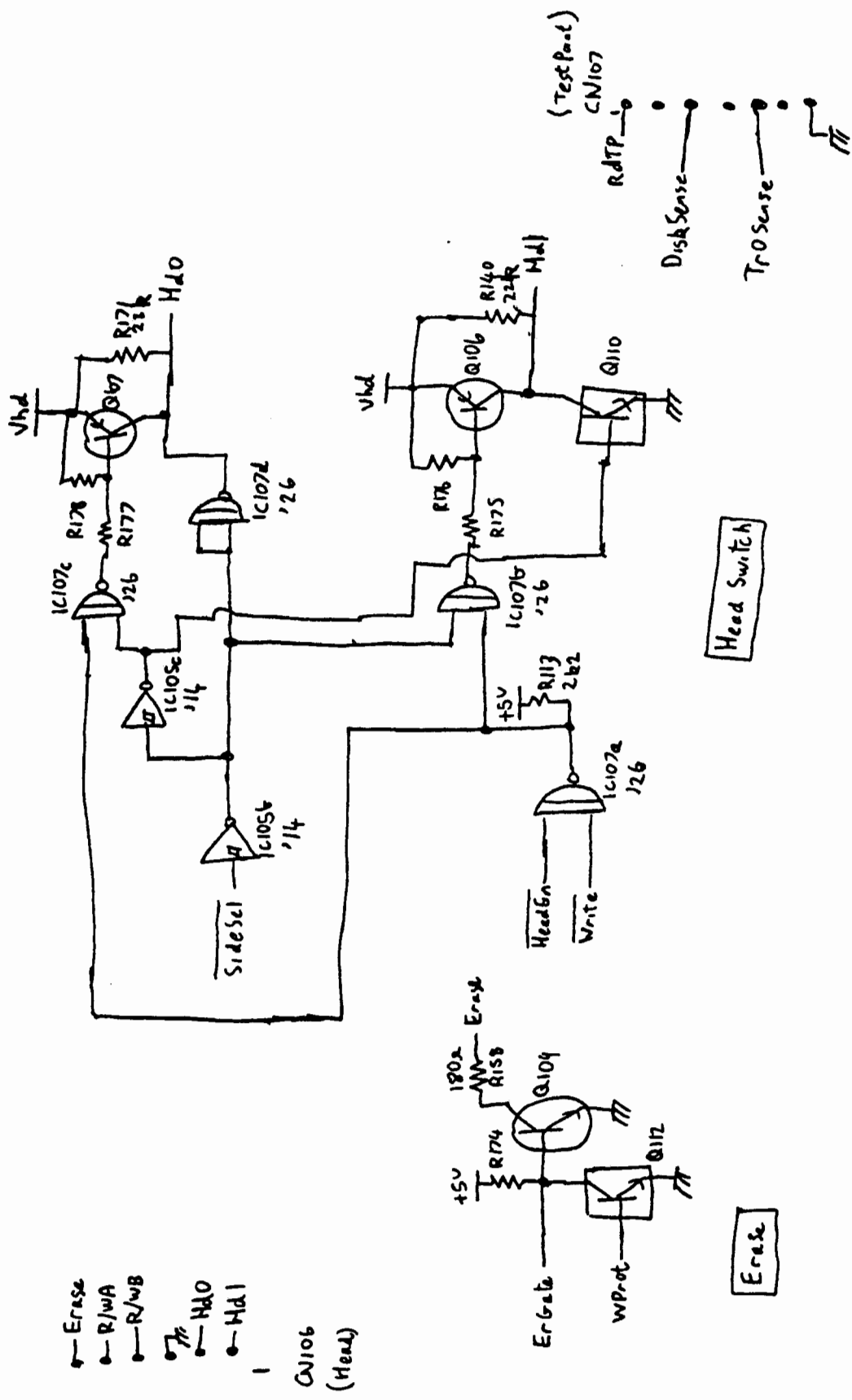
Sony Floppy Drive Logic Board FC9 Slot 2



Sony Floppy Drive Logic Board FC9 Sheet 3



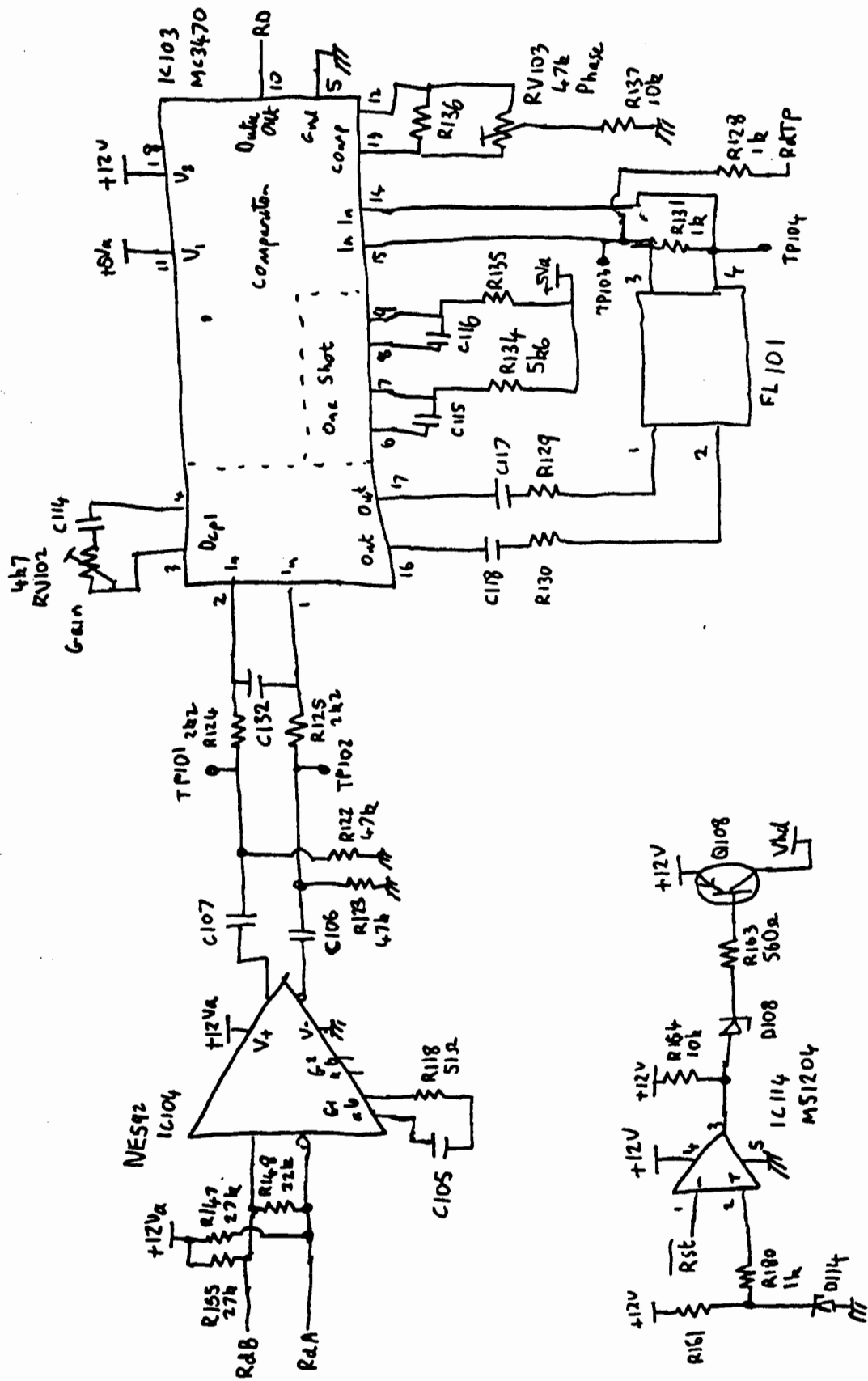




- ErGate
- R/wA
- R/wB
- Hd0
- Hd1
- Q106 (Head)

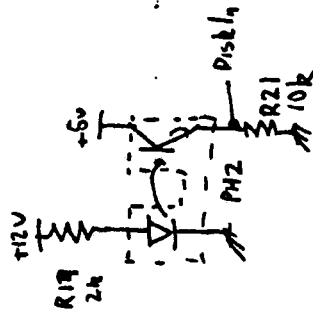
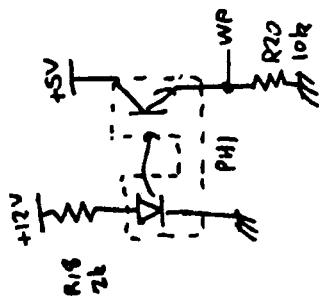
Erase

Head Switch

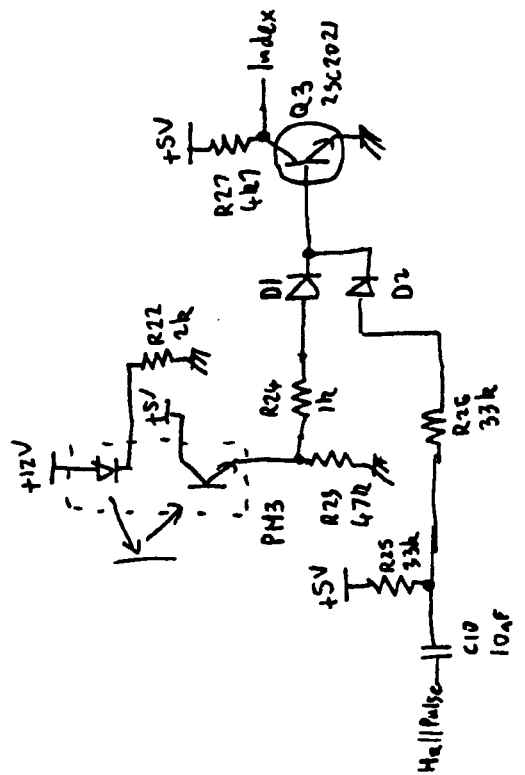
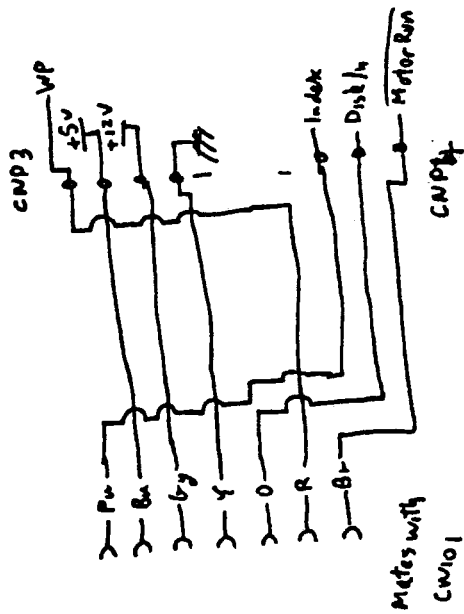


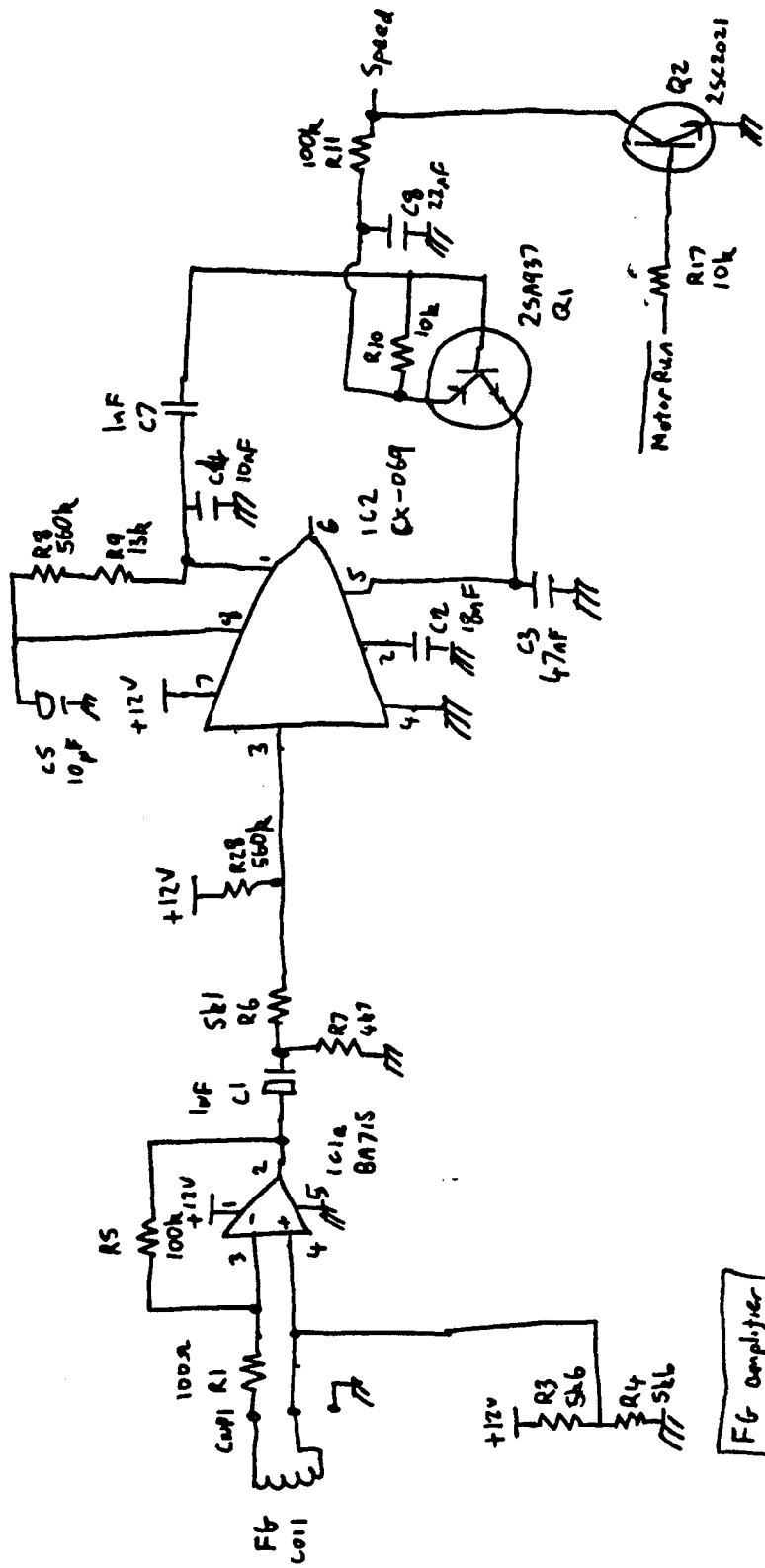
Read

Power Ok



Sensors



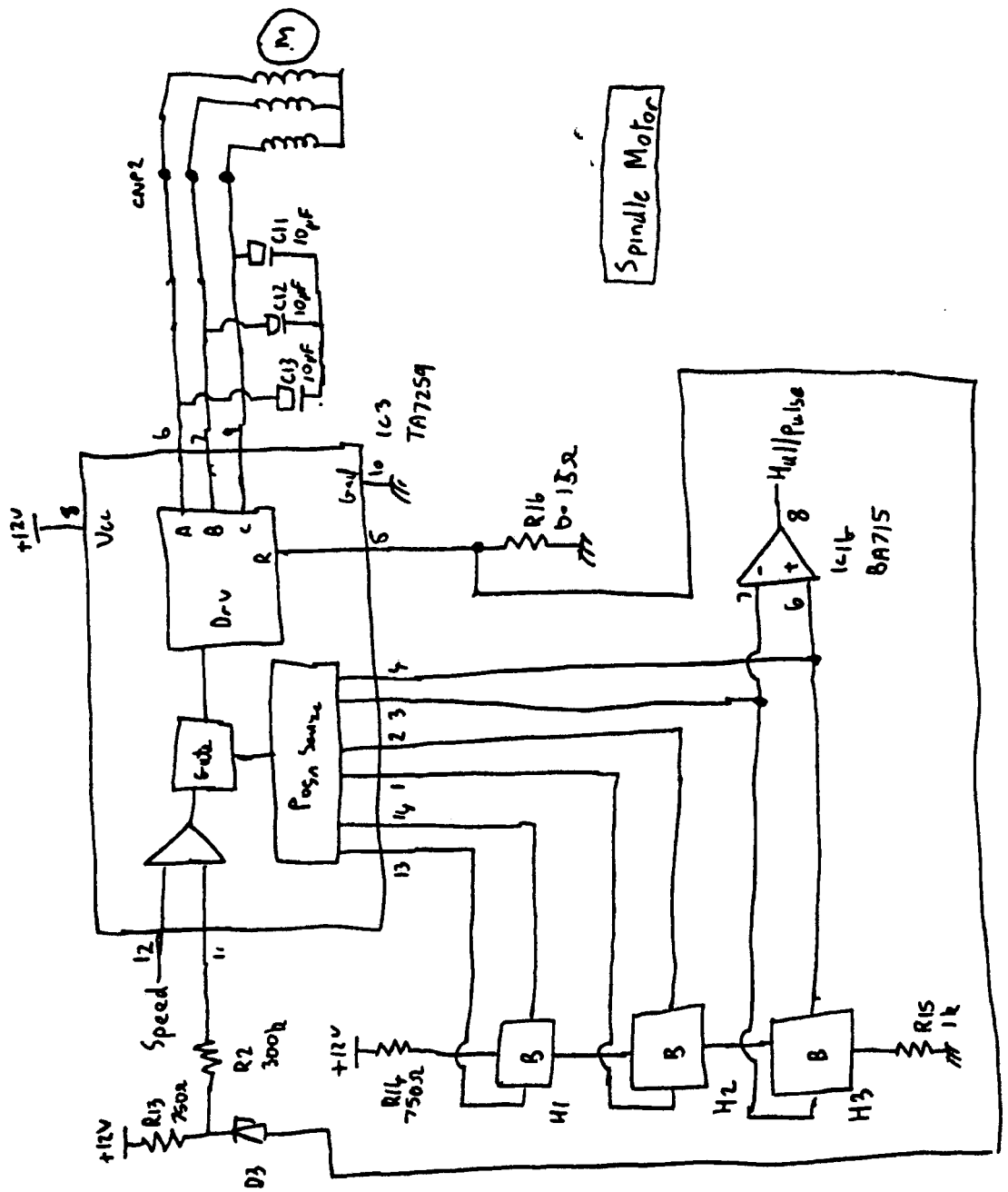


Spindle Speed

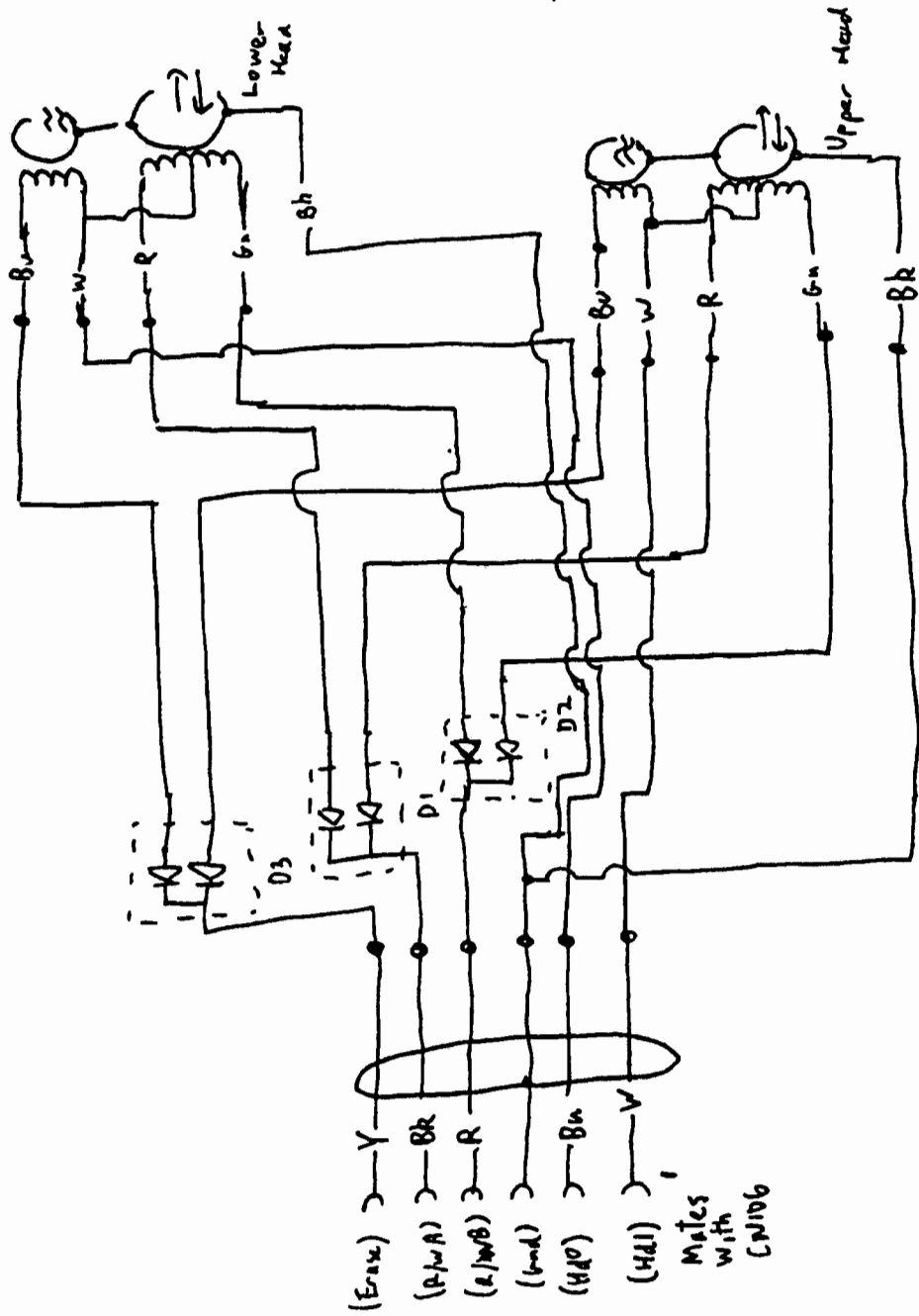
FG amplifier

Sony Floppy Drive Spindle Motor sheet 2

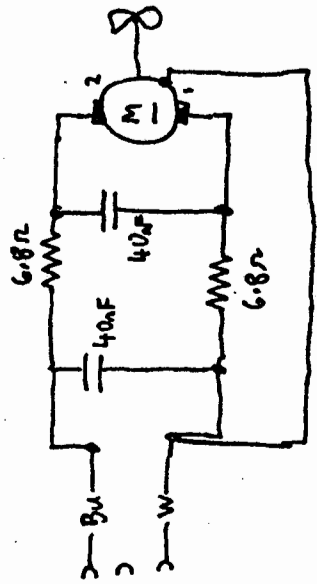




Sony Floppy Drive Spindle Motor Sheet ③

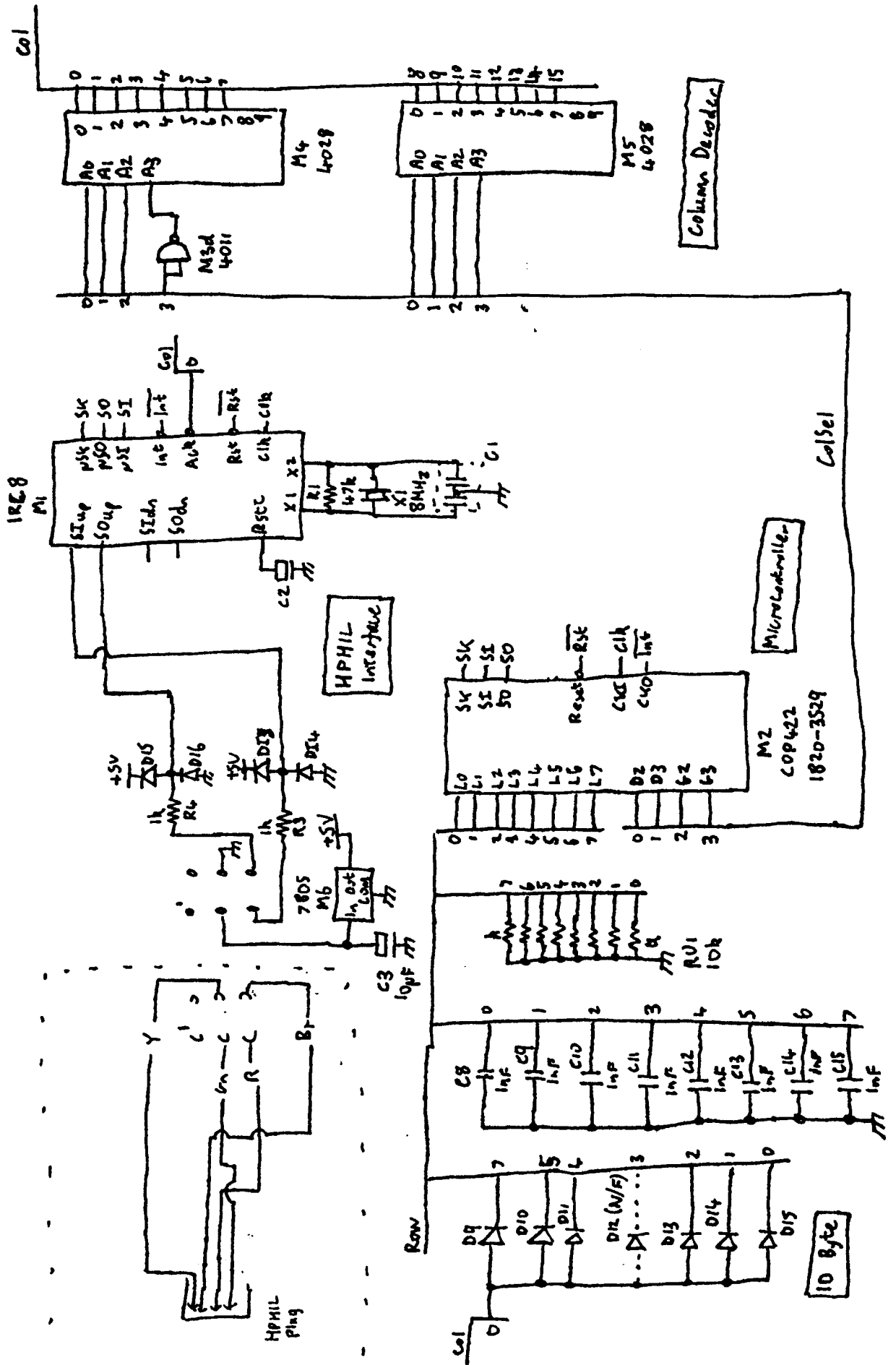


Sony Floppy Drive Double-Sided Head



HP Intersol / Fan Motor

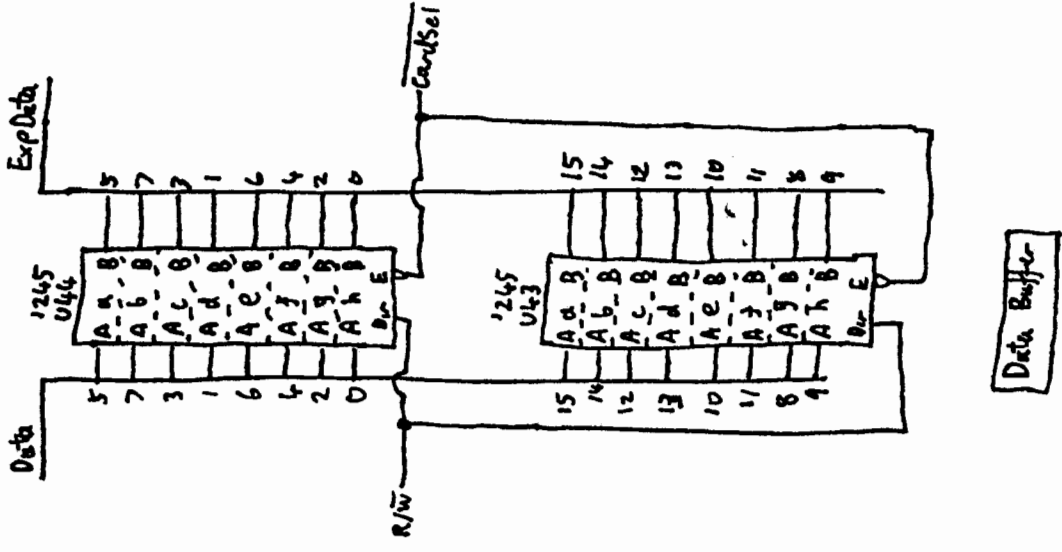
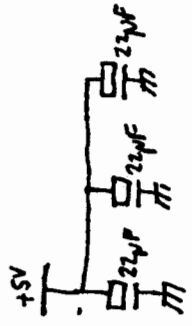
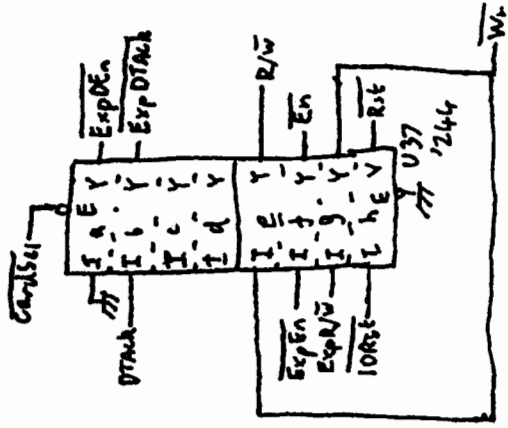
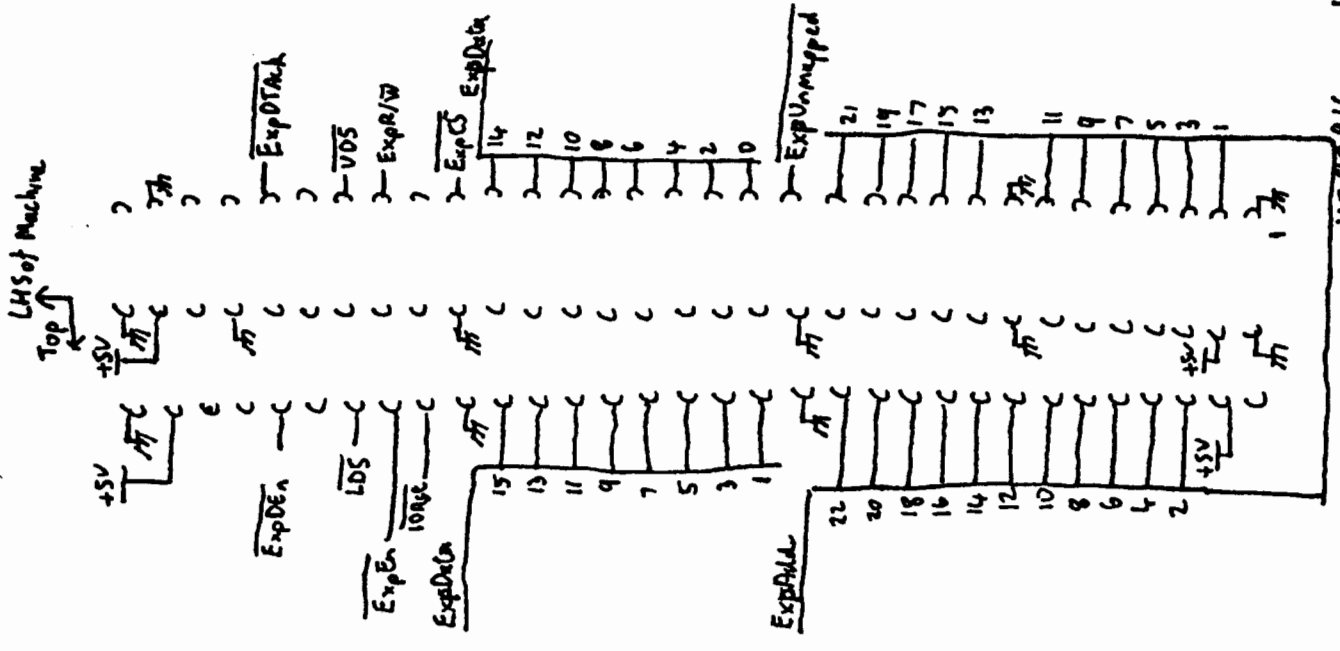




4 =

Key Matrix (UK Layout)

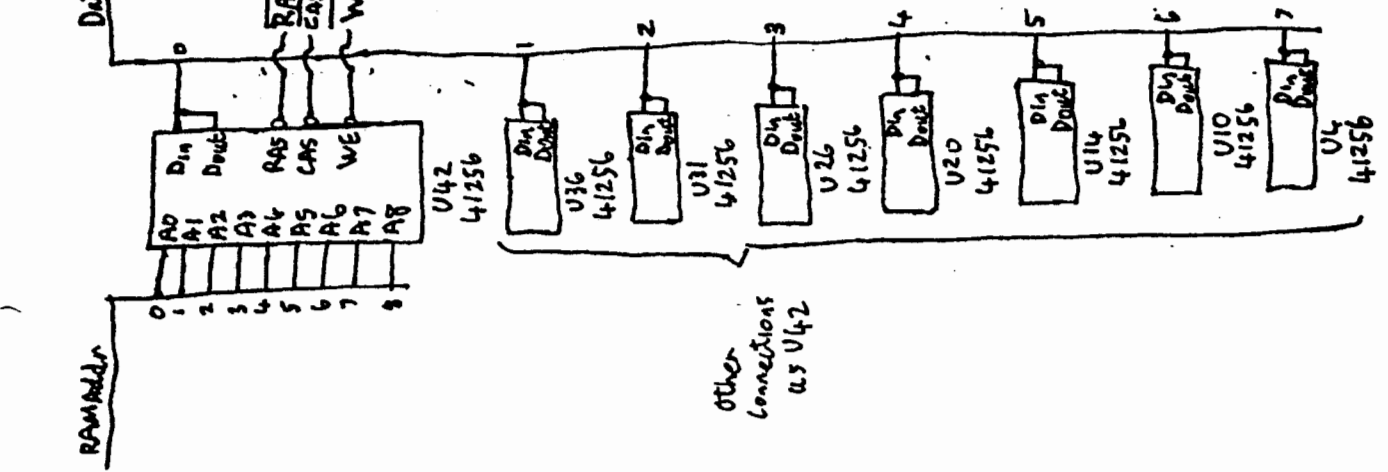
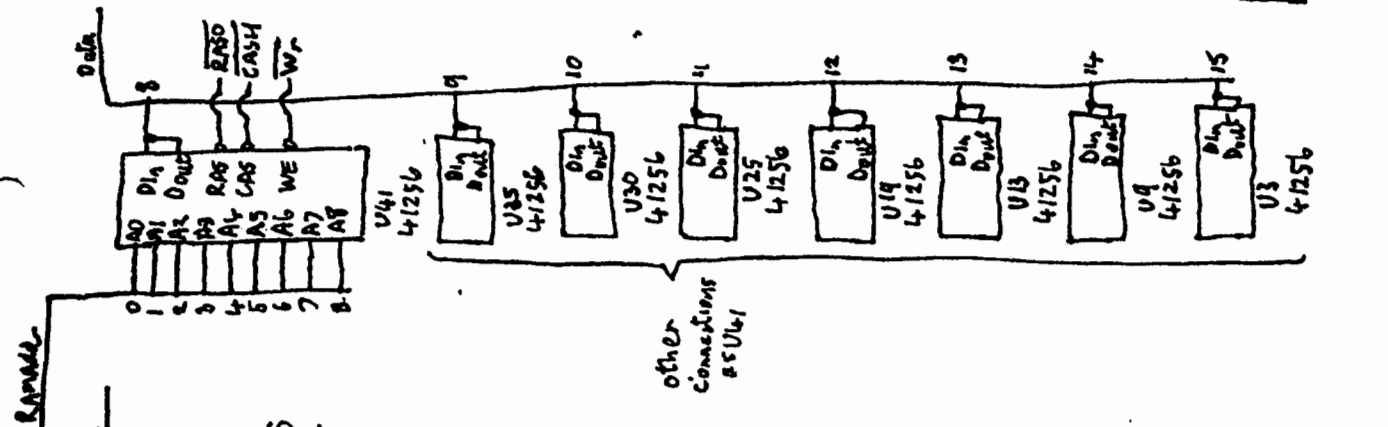
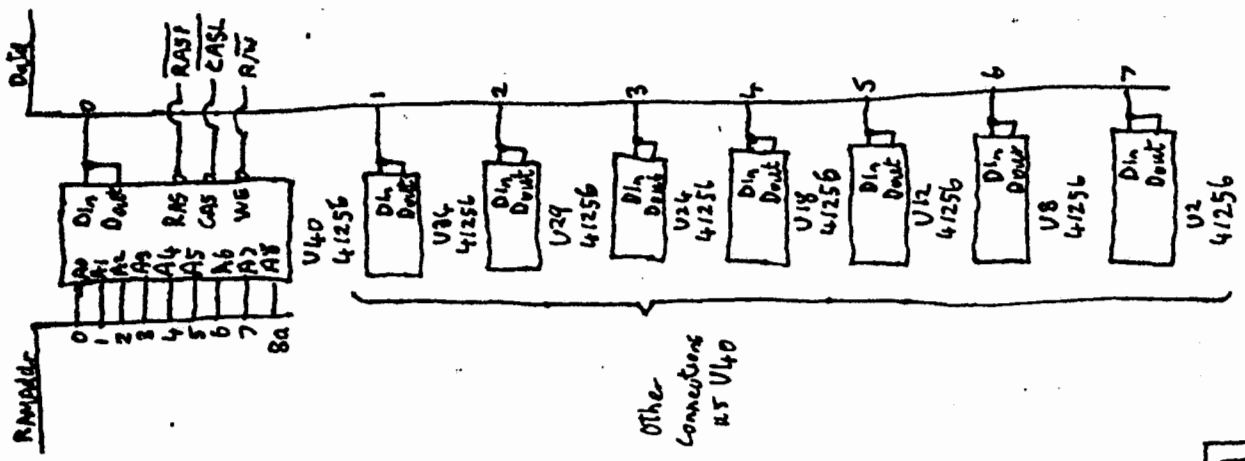
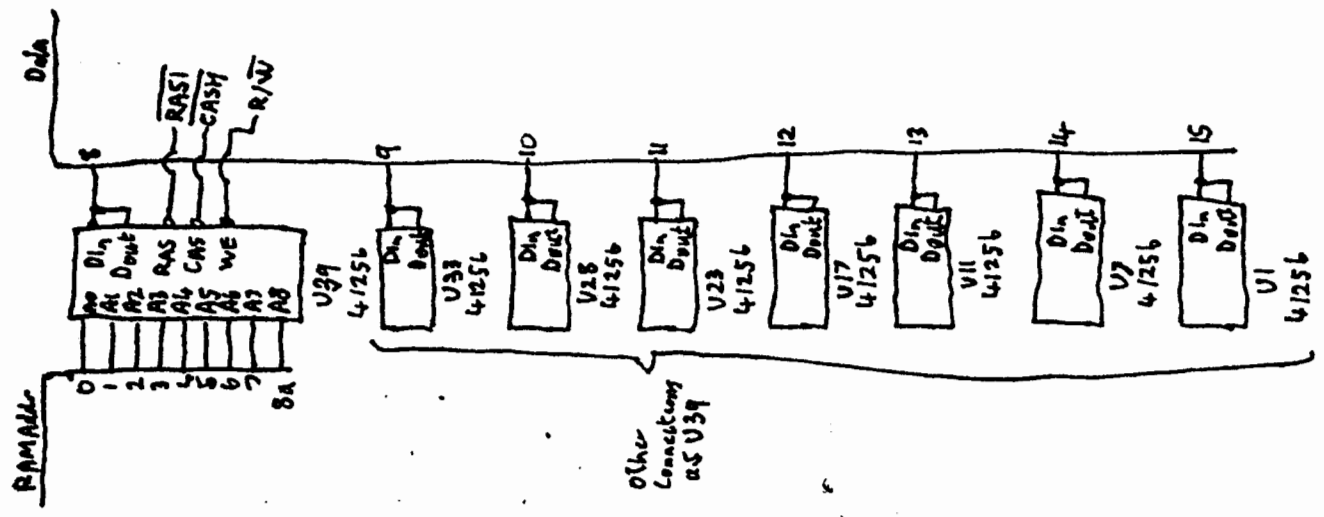
Row	0	1	2	3	4	5	6	7	8	9	10	11	12	13	14	15
	Menu	User System	l 8	i	j	m	n	Insert Char N5	N4	N1	B	Delete Char N6	h	u	^	7
	f4	f5	) 9	o	;	;	Space				v		g	y	8	6
	f3	f6	= 0	p	l	:	Next No	Extend Char (R)	N2	N3	c	Prev N3	f	t	%	5
	f2	f7	? +	{ [	@ *	=		Extend Char (L)			x		d	r	1	4
	f1	f8	/ ,	} ]	! \		Shift (R)	Shift (L)			z		s	e	£	3
	Insert Line N8	Delete Line N9	Back Space	> <	Return	select	Shift (L)	Shift (L)	N7				a	w	"	2
	stop	clear Line		.			CTRL	CTRL	N0					q	!	1
	Print Enter	Clear Display					Reset	Reset				DEL Esc	caps	Tab	~	
Col	1	2	3	4	5	6	7	8	9	10	11	12	13	14	15	





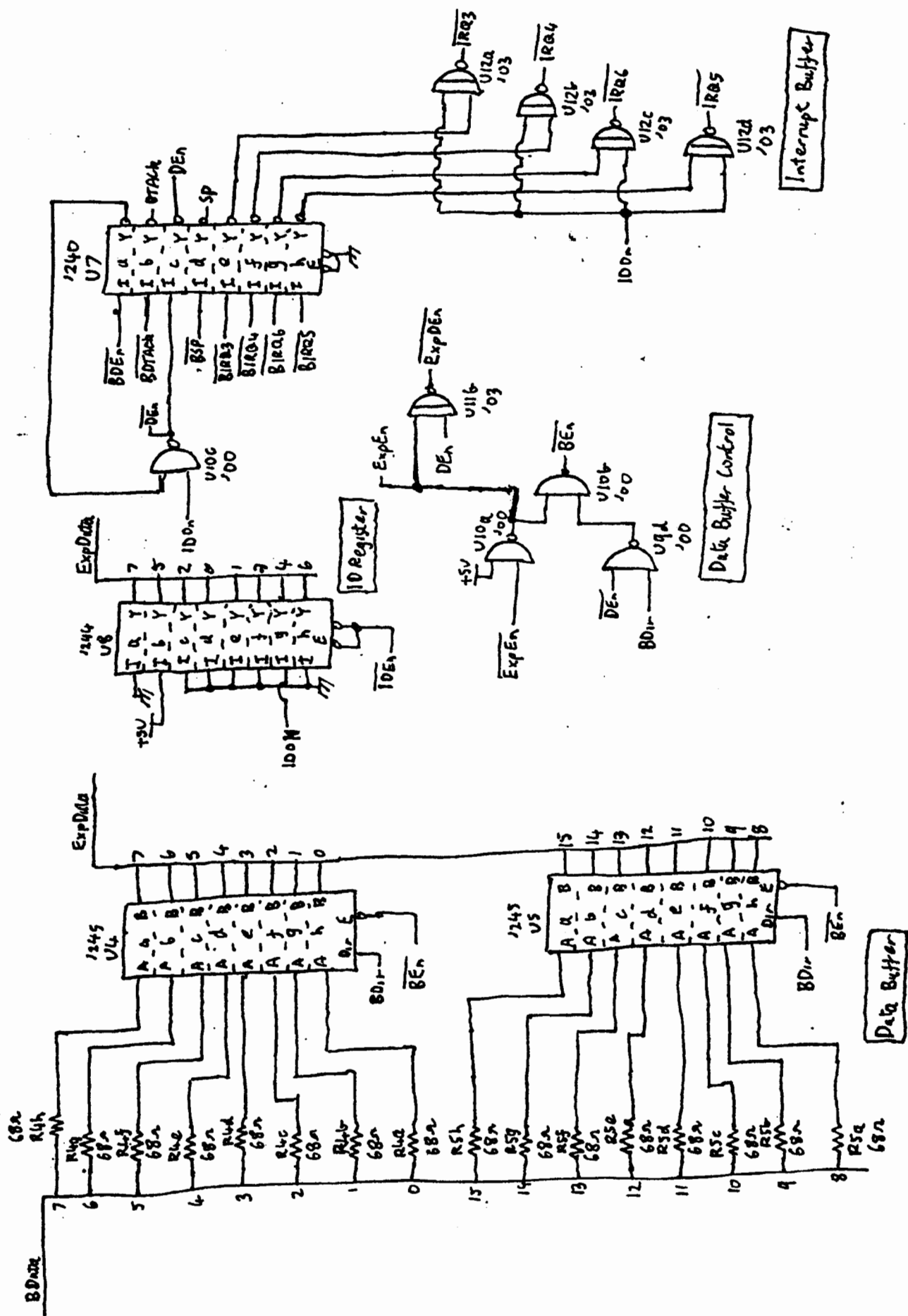


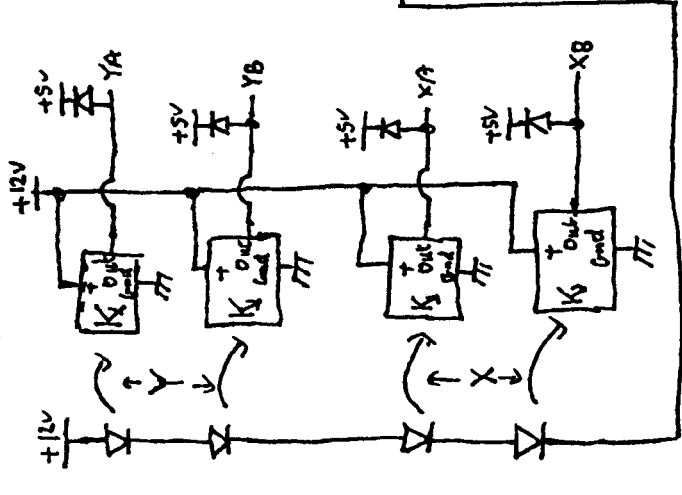
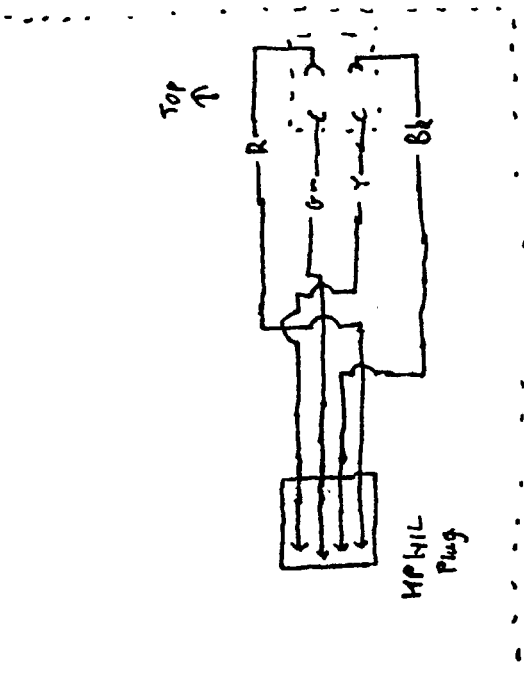
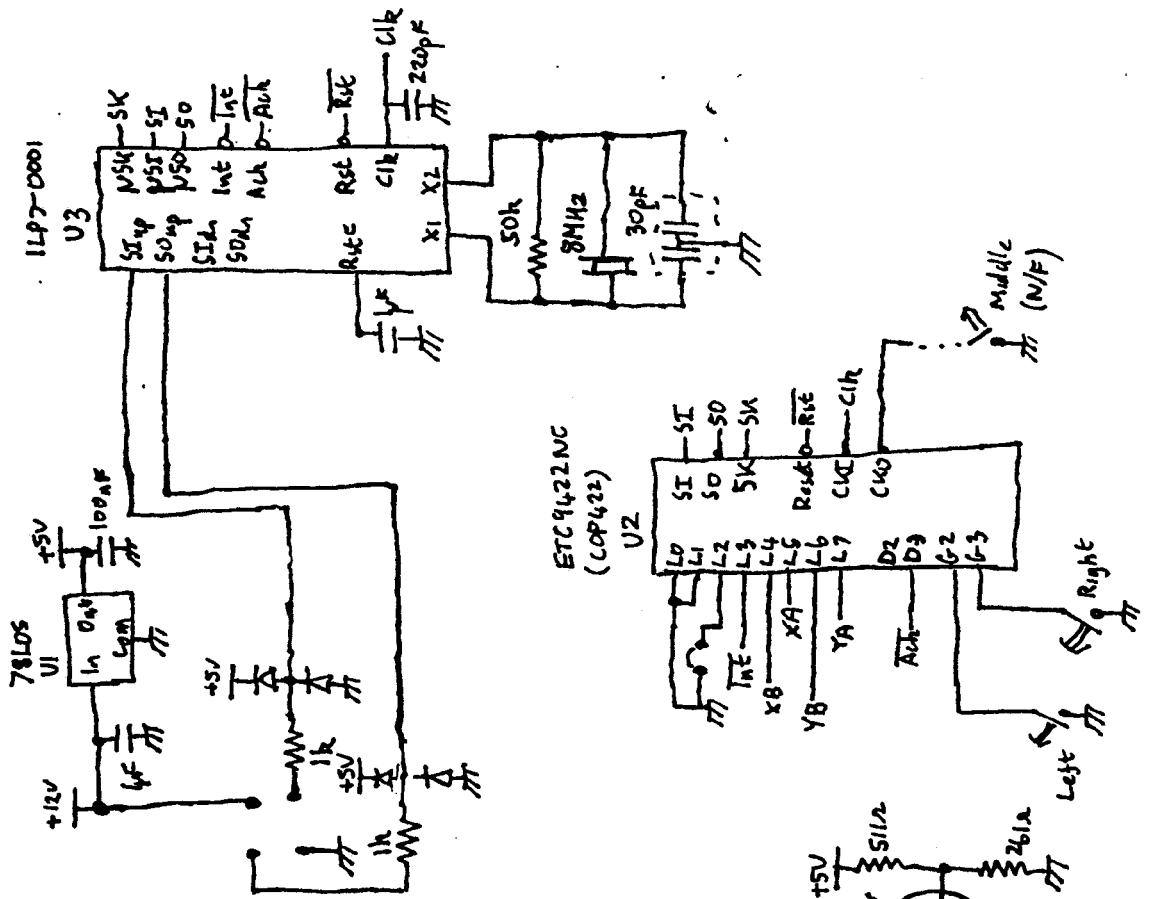




RAM







46060-80005

HP 46060 HP4606 Mouse



### Display

Gnd 0 0 Gnd  
V+ 0 0 V+ > 18V  
+SV 0 0 Gnd  
Gnd 0 0 Gnd  
Rst 0 0 Gnd  
VSync 0 0 Gnd  
HSync 0 0 Gnd  
DotClk- 0 0 Gnd  
DotsA 0 0 Gnd  
DotsB 0 0 Gnd

### PSU

0 Br +5  
0 Br +5  
0 Bk Gnd  
0 Bk Gnd  
0 Or +12  
0 R +15  
x  
0 Pu -12  
0 Gnd Gnd  
0 Y PwrOK  
0 W +18

### HP-HIL

+12 0 0 +12  
RIB 0 0 Gnd  
RIA 0 0 Gnd  
SOB 0 0 Gnd  
SOA 0 0 Gnd

0 Br +5  
0 Br +5  
0 Bk Gnd  
0 Bk Gnd  
0 Or +12  
0 R +15  
0 W +18  
0 Pu -12  
0 Gnd Gnd  
0 Y PwrOK