

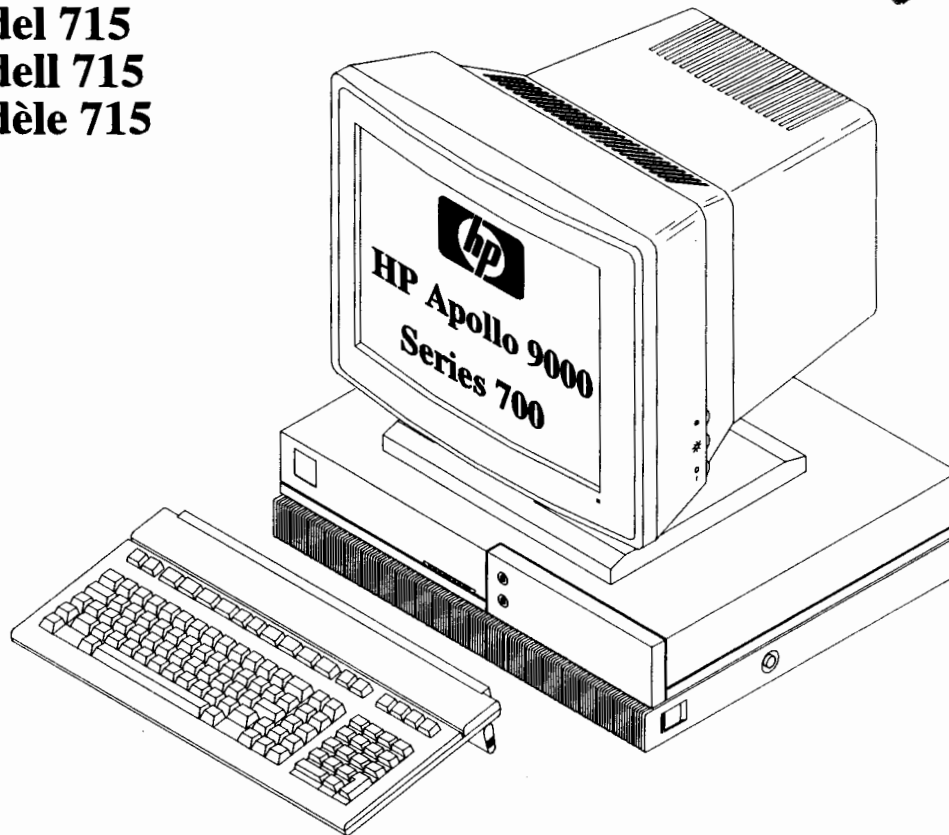
# Hardware Installation Guide

## Hardwareinstallation

## Guide d'installation



**Model 715**  
**Modell 715**  
**Modèle 715**

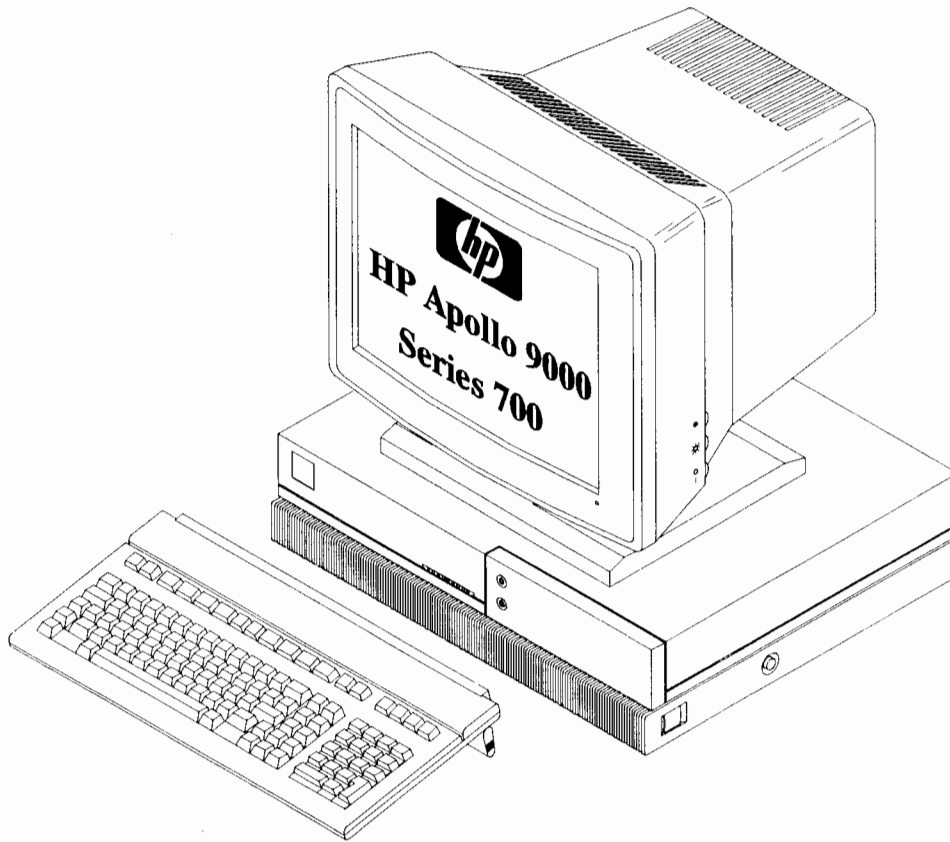


Workstation Systems Group  
Hewlett-Packard Company  
300 Apollo Drive  
Chelmsford, MA 01824

# Hardware Installation Guide



## Model 715



Workstation Systems Group  
Hewlett-Packard Company  
300 Apollo Drive  
Chelmsford, MA 01824

This installation guide explains how to assemble the hardware components of the HP Apollo 9000 Series 700 Model 715 workstations.

It also explains how to start up the workstations.

If you are installing the workstation yourself, we recommend that you follow the step-by-step order of the following sections.

### **Will your workstation be used on a network?**

If the answer is yes, start with this section. Otherwise, begin with the next section.

#### **Getting Ready for Network Connections**

Find the workstation shipping carton's contents label. Write down the LANIC ID number from it and give it to your System Administrator to set up your new workstation on the network server:

- LANIC ID Number (for example, 0800091595EE) \_\_\_\_\_

If your workstation does not have a hard disk drive, you must connect to the network server to boot HP-UX.

#### **Get These Items From Your System Administrator**

- System name (or hostname): \_\_\_\_\_
- Internet Protocol (IP) number: \_\_\_\_\_
- LAN cables from the server or last computer on the network.
- To connect to the LAN, you need an external AUI transceiver.

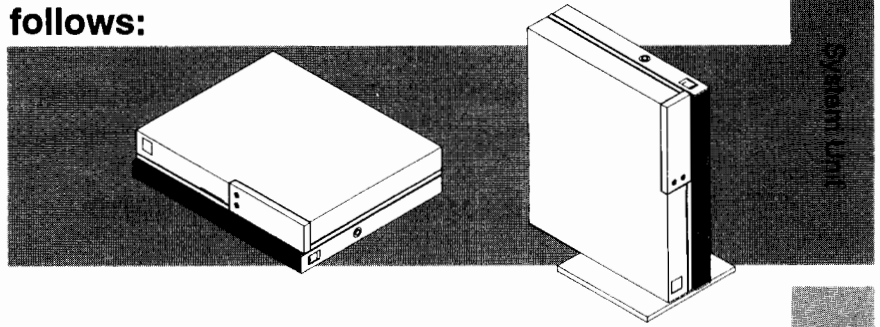
**HP Computer Museum**  
**[www.hpmuseum.net](http://www.hpmuseum.net)**

**For research and education purposes only.**

## This guide is organized as follows:

- **System Unit**

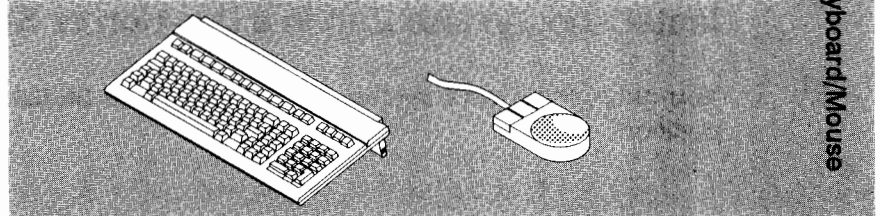
This section explains how to install the system unit in a desktop or standing position.



System Unit

- **Keyboard/Mouse**

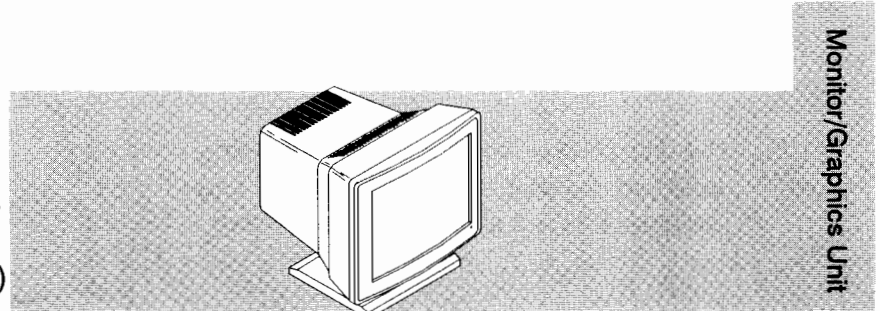
This section explains how to connect the mouse to the keyboard and the keyboard to the system unit.



Keyboard/Mouse

- **Monitor and Graphics**

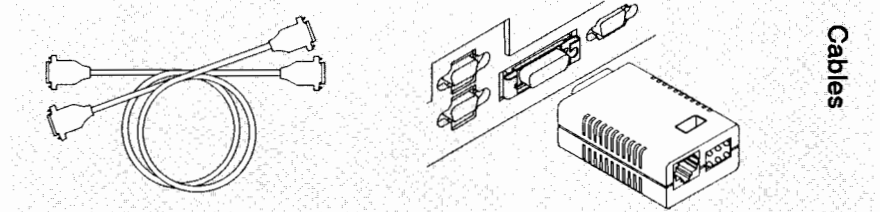
This section explains how to connect the monitor and graphics processor (on systems configured with CRX-48Z graphics) to the system unit.



Monitor/Graphics Unit

- **Cables and Transceivers**

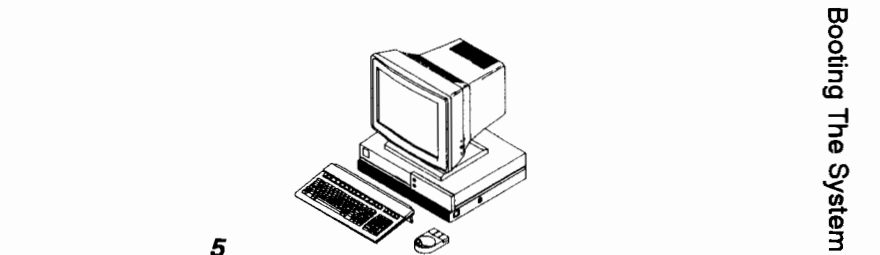
This section explains how to connect the network and I/O cables.



Cables

- **Booting the System**

This section explains how to power on the monitor and system and how to bring up the operating system.



Booting The System

## Unpack the System Unit Box and Check for the Following:

- System unit
- Video cable (set aside)
- System documentation
- Floor stand
- Graphics processor cable (set aside)

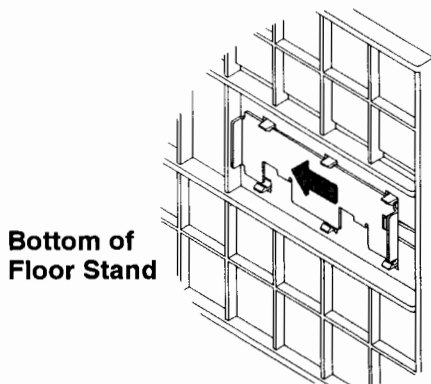
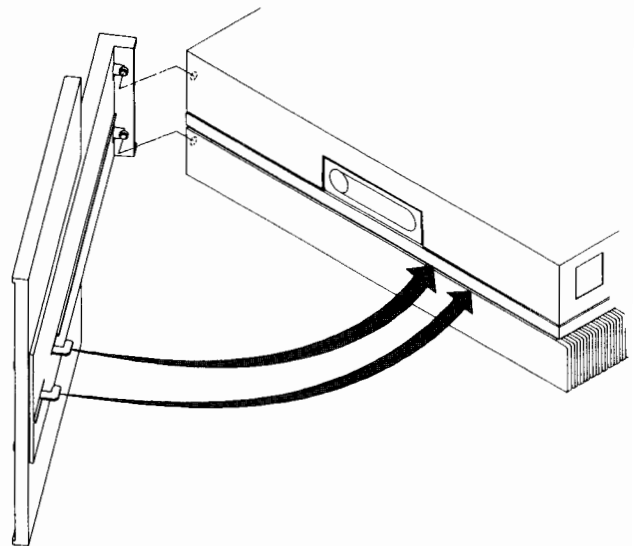
## Install Any Internal Add-On Options

If you have any internal add-on options, such as additional memory or storage devices, install them now according to the instructions shipped with the option.

## Install the System Unit in a Desktop or Standing Position

You may install your system unit in either the horizontal (desktop) or vertical (standing) position.

To install the system in a standing position, insert the floor stand's pins and catches into the system unit, as shown.

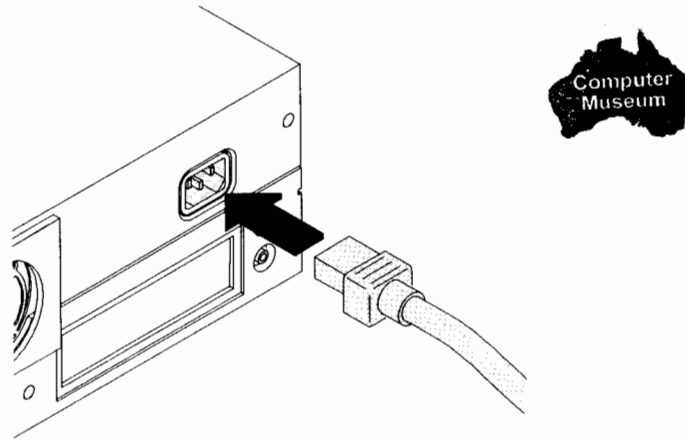


**Bottom of  
Floor Stand**

Slide the latch on the bottom of the floor stand to lock it into place, as shown. Stand the unit up on its floor stand.

## Connect the System Unit ac Power Cable

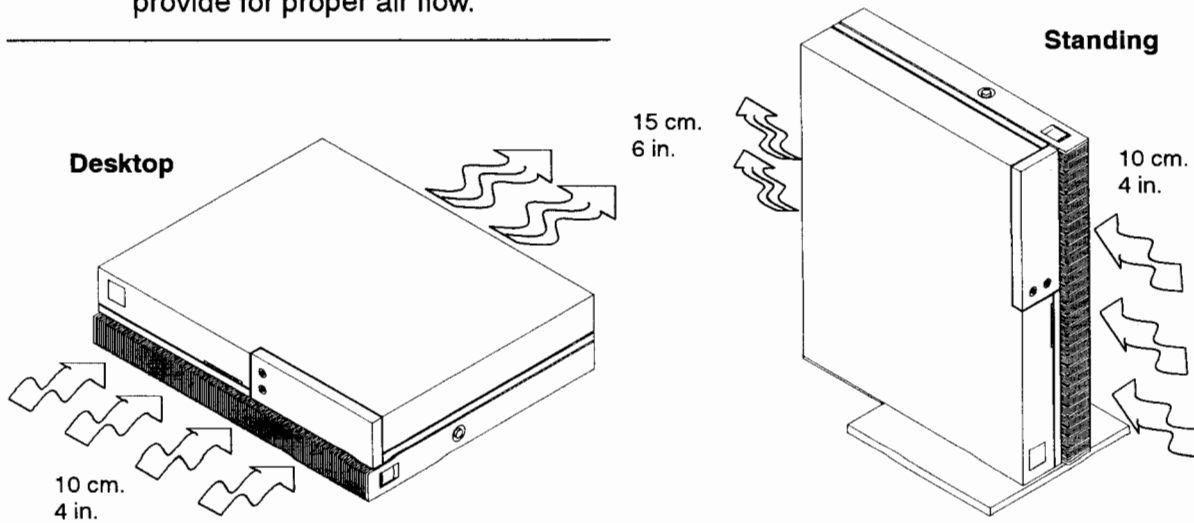
Remove the system unit ac power cable from the accessories box. Connect the power cable, as shown.



## Place the System Unit

**Note** *This step is VERY IMPORTANT.*

Allow adequate space around the system unit, as shown, to provide for proper air flow.



## Unpack the Keyboard and Accessories Boxes and Check for the Following:

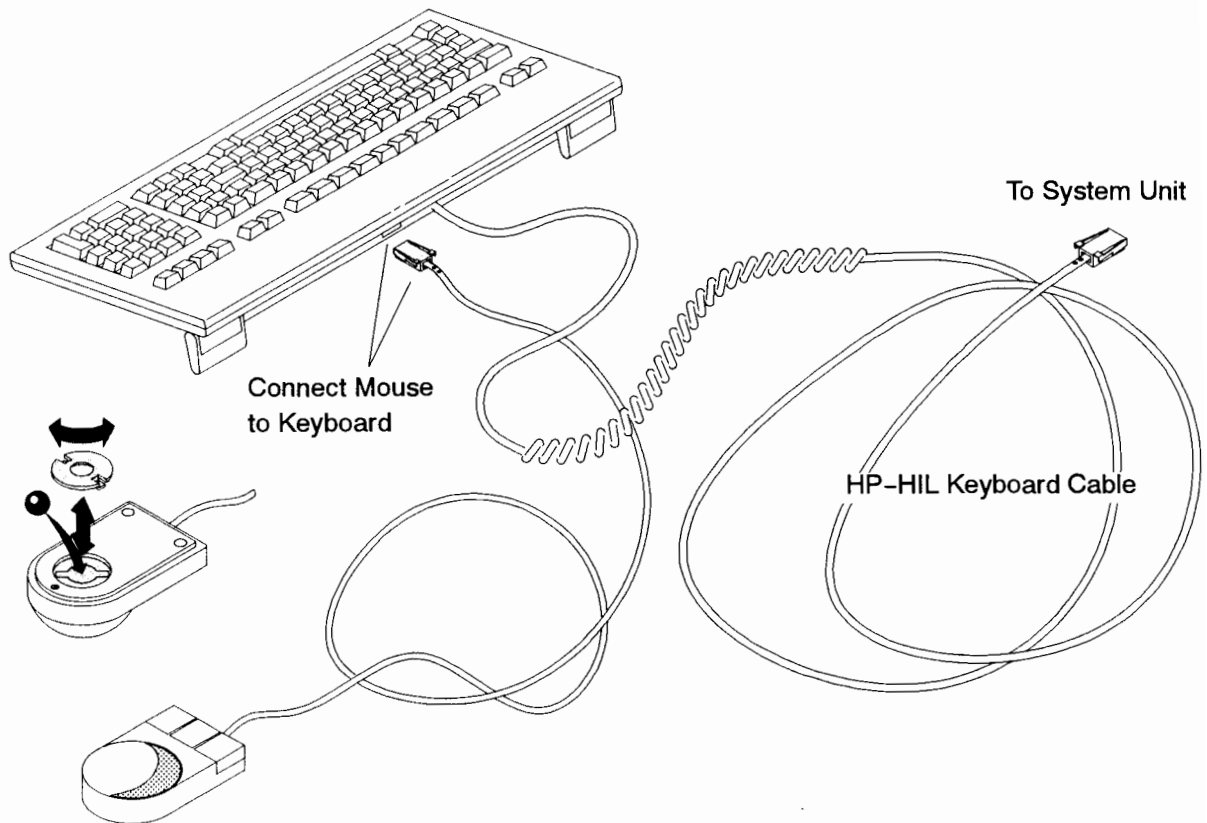
- Keyboard with cable attached
- Mouse with cable attached (ball not installed)
- Monitor power cable (set aside)
- System unit power cable (already used) — These cables are identical.
- Graphics processor power cable (set aside)

## Connect the Mouse to the Keyboard

Install the ball into the mouse, as shown.

Connect the end of the mouse cable to the keyboard, as shown.

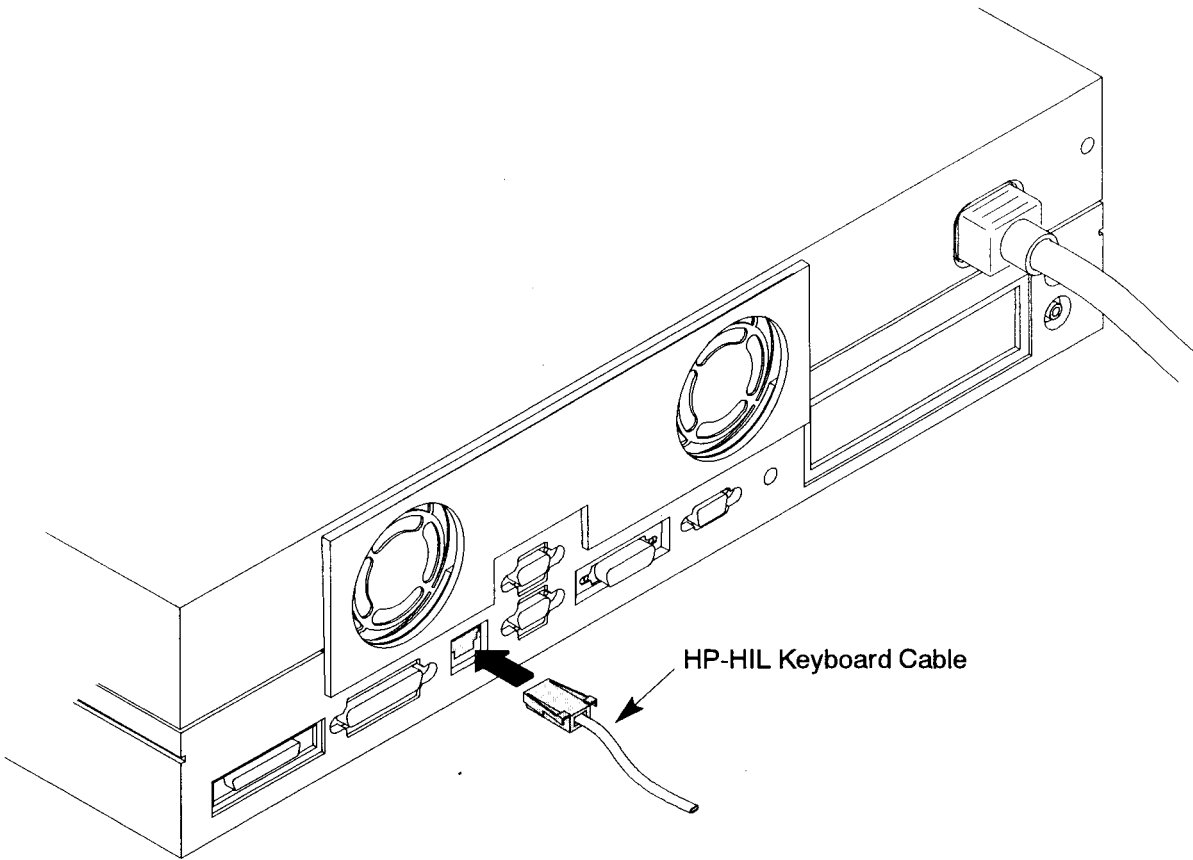
If you have any other HP-HIL devices, install them at this time. Refer to the installation instructions supplied with these optional devices.





## Connect the Keyboard to the System Unit

Plug the HP-HIL keyboard cable into the back of the system unit, as shown.

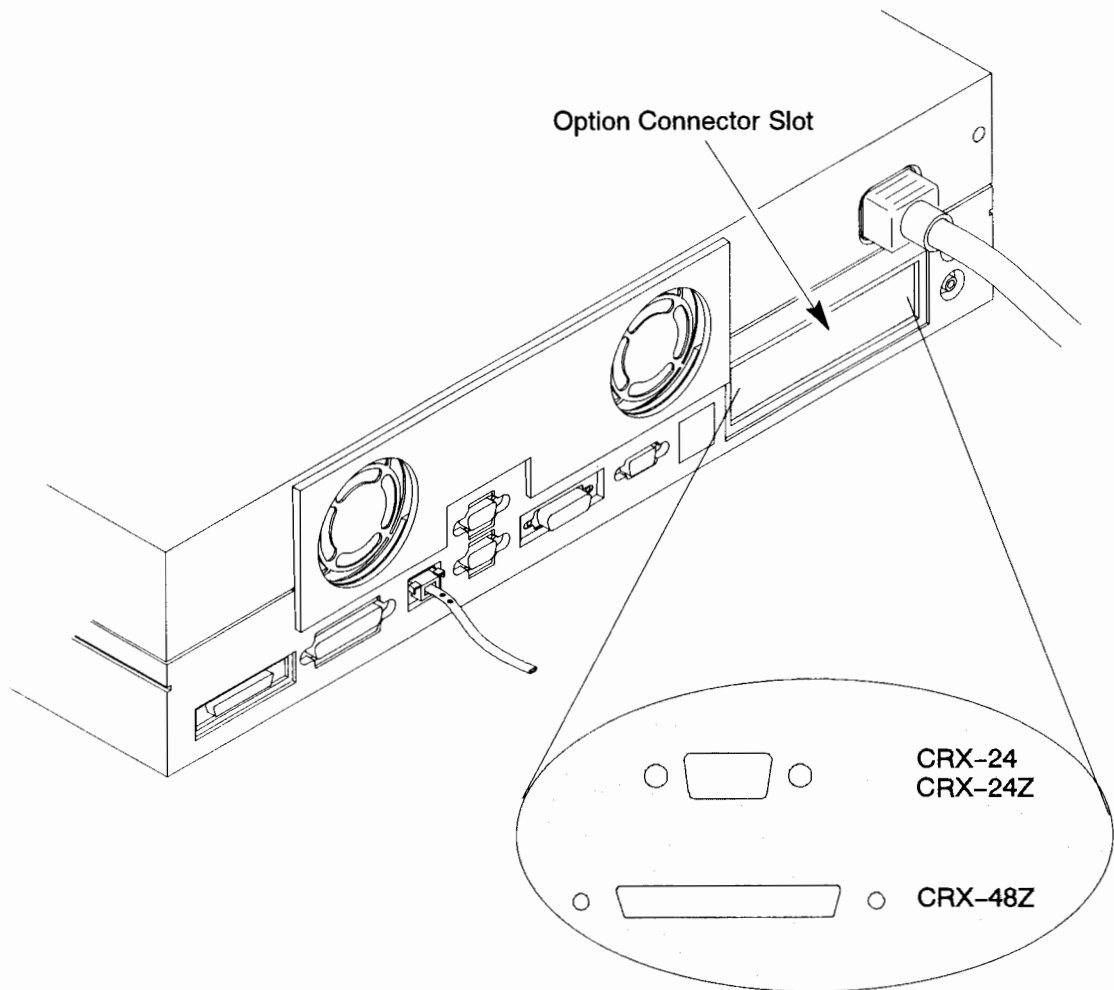


## Check for Optional Graphics

If your workstation is factory configured with optional graphics, a connector is visible in the option connector slot.

Use the figure below to determine if your workstation has optional graphics installed. If so, use the figure to determine which option is installed.

If your workstation does not have optional graphics installed, go to **Connect the Monitor**.

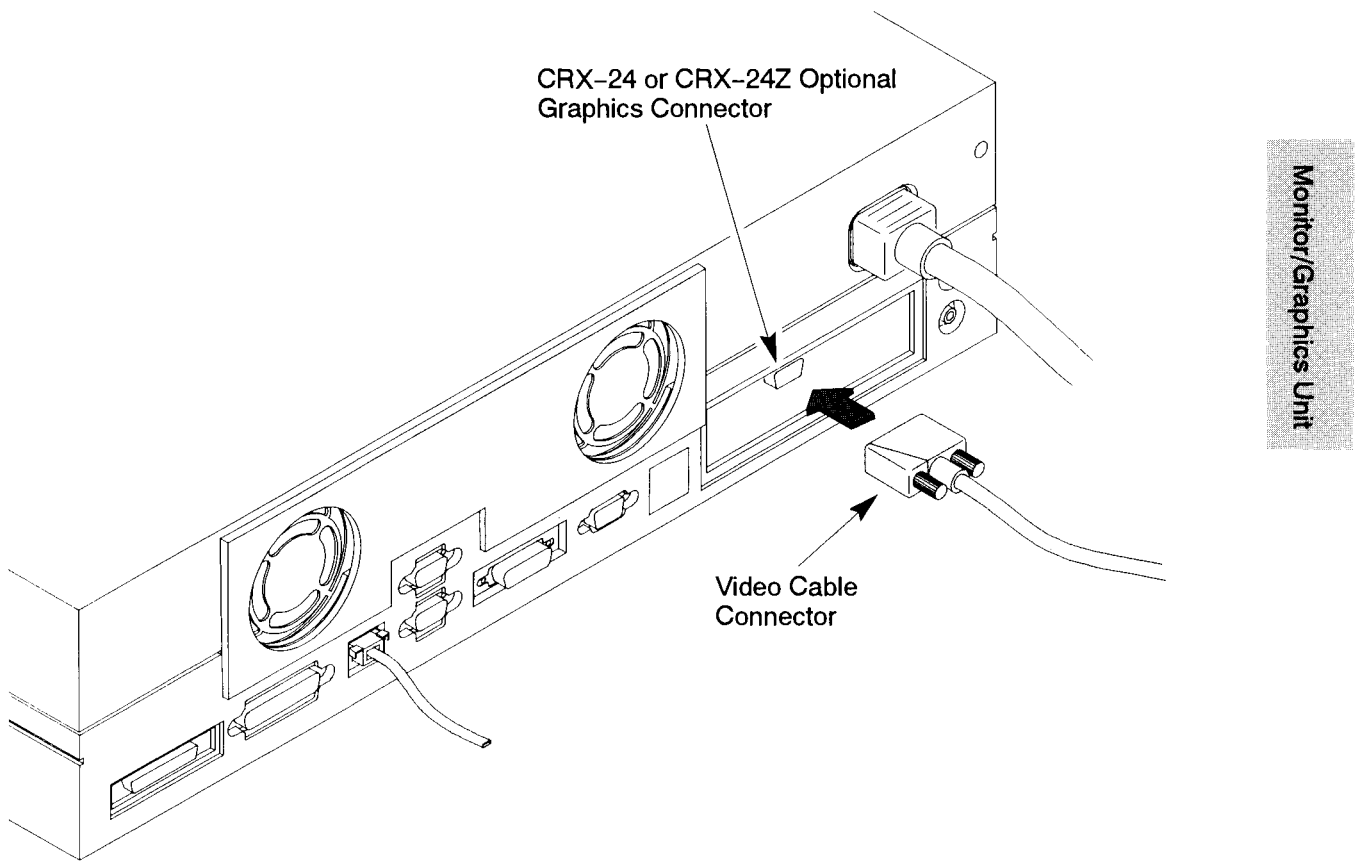


## Connect the Video Cable to the System Unit

If your workstation has CRX-48Z optional graphics, go to **Install the CRX-48Z Graphics Processor**.

Make sure that the video cable connector is correctly aligned with the CRX graphics connector on the rear of the system unit. Plug the video cable into the optional graphics connector as shown, and tighten the thumbscrews.

Go to **Connect the Monitor**.

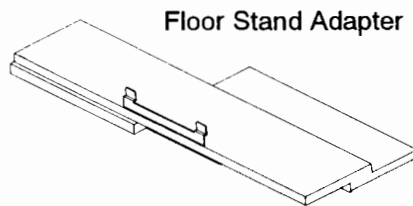


## Install the CRX-48Z Graphics Processor

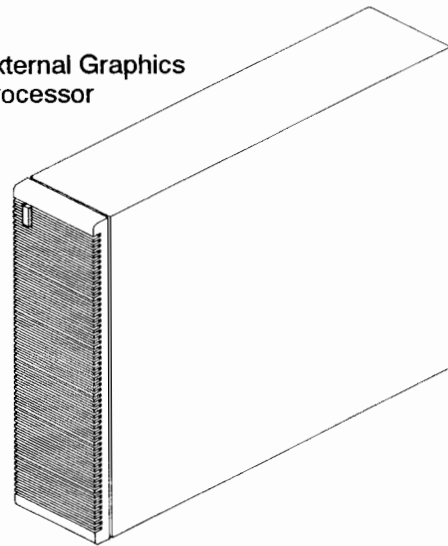
### 1 Unpack the CRX-48Z Graphics Processor

You should have the following parts:

- Graphics Processor Unit
- Floor Stand Adapter

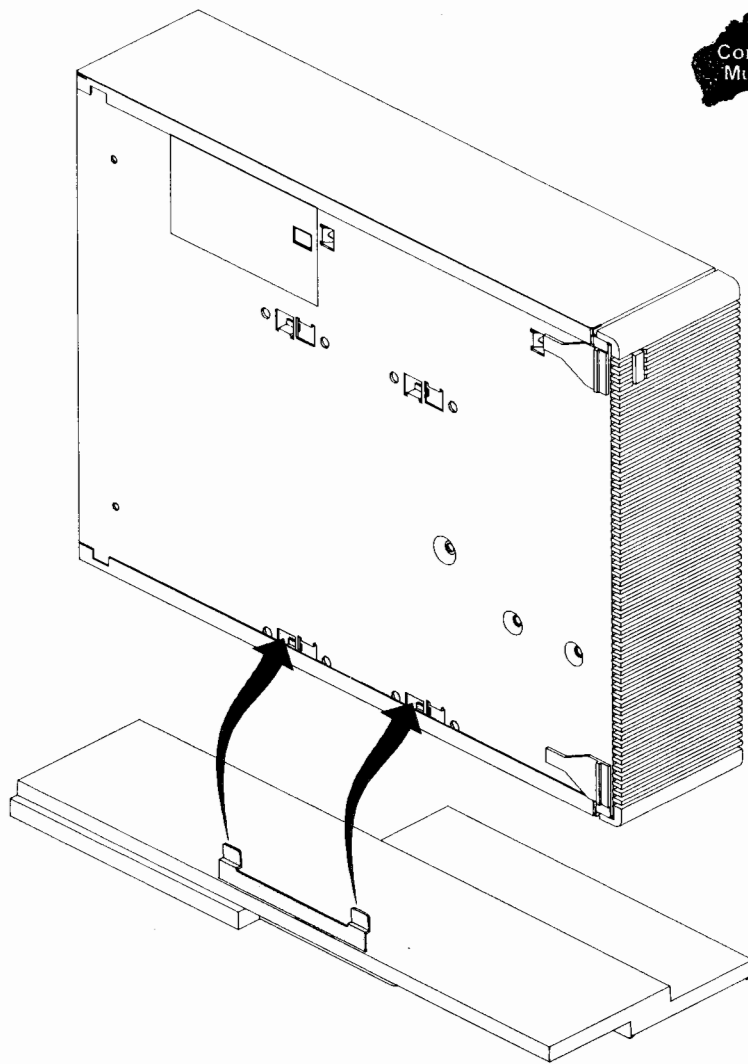


External Graphics Processor



## 2 Attach the Graphics Processor Floor Stand Adapter

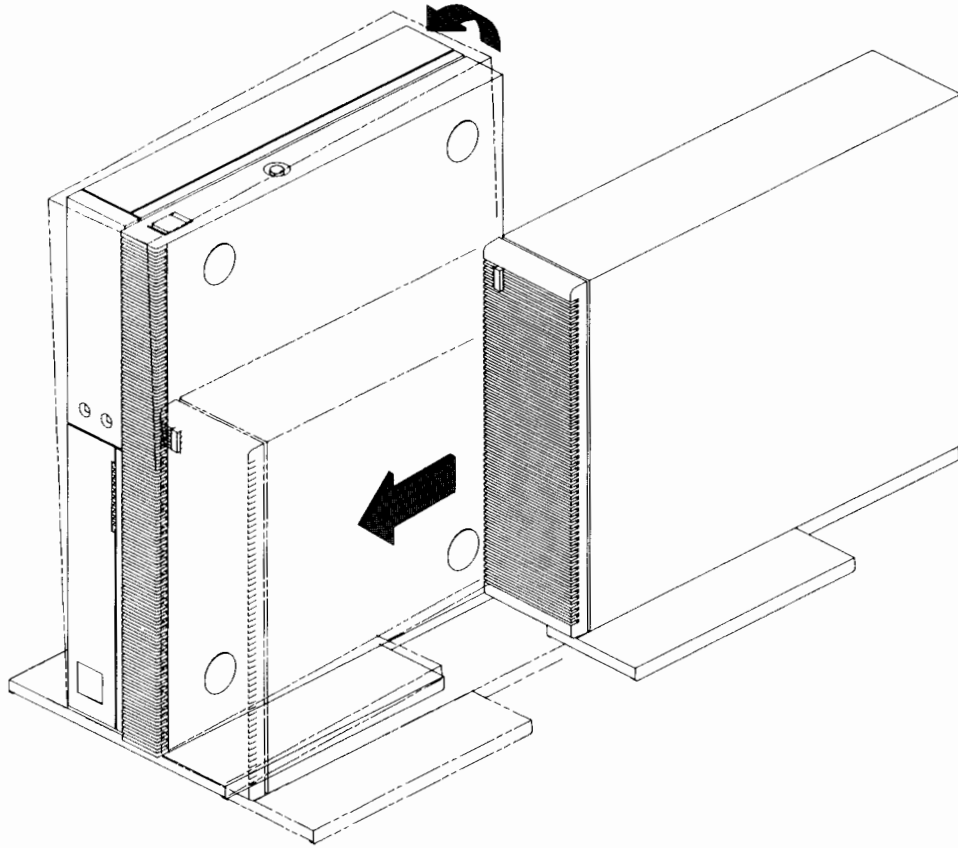
If you are installing your workstation in the vertical (standing) position with its floor stand, attach the floor stand adapter to the CRX-48Z graphics processor as shown.



Monitor/Graphics Unit

### 3 Attach the Graphics Processor to Your Workstation

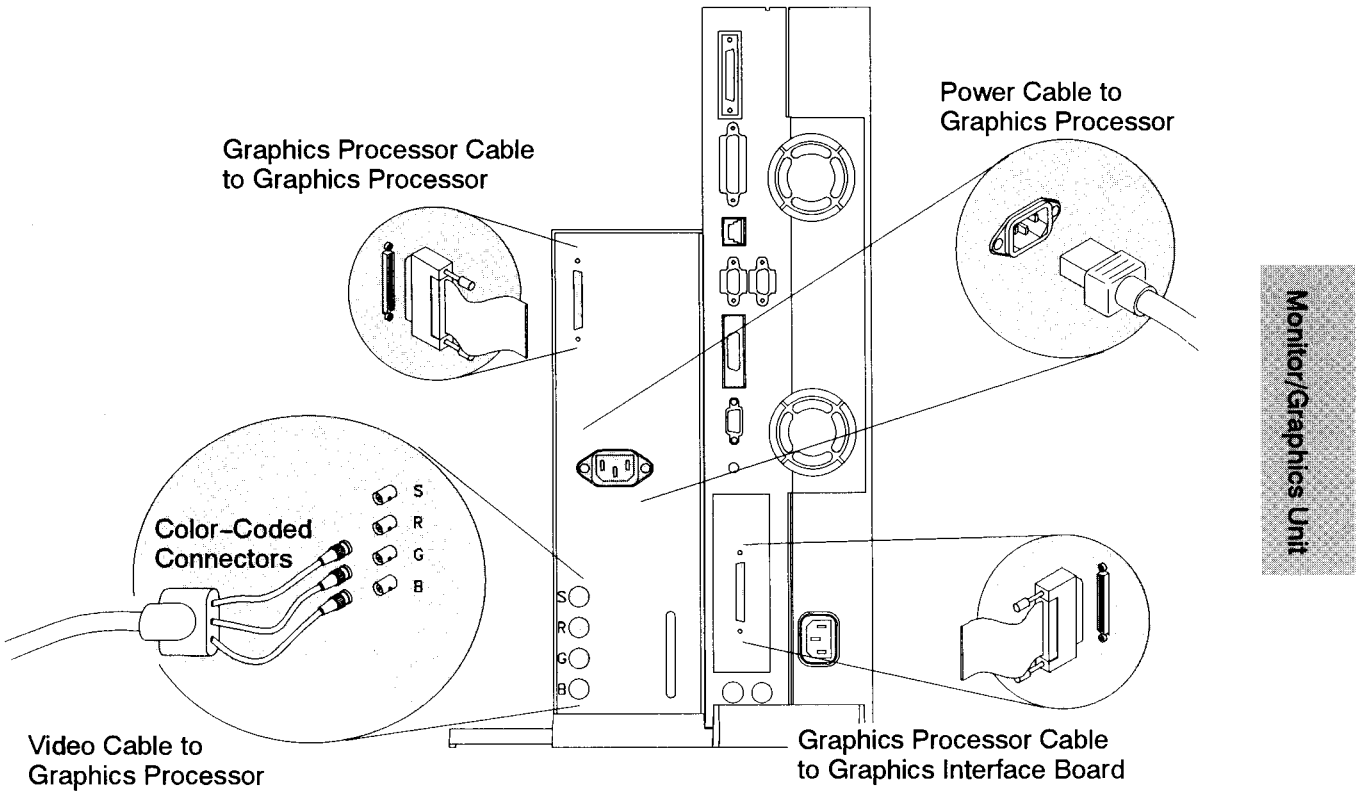
If you are installing your workstation in the vertical (standing) position with its floor stand, attach the graphics processor and its floor stand adapter to the workstation's floor stand, as shown.



Lift the rear of the system unit slightly and slide the graphics unit towards the front of your workstation so that the floor stands fully interlock. Make sure that the front of the graphics processor is flush with the front of the system unit.

#### 4 Connect the CRX-48Z Graphics Processor

Connect the graphics processor cable, video cable, and power cable as shown.



## Connect the Monitor

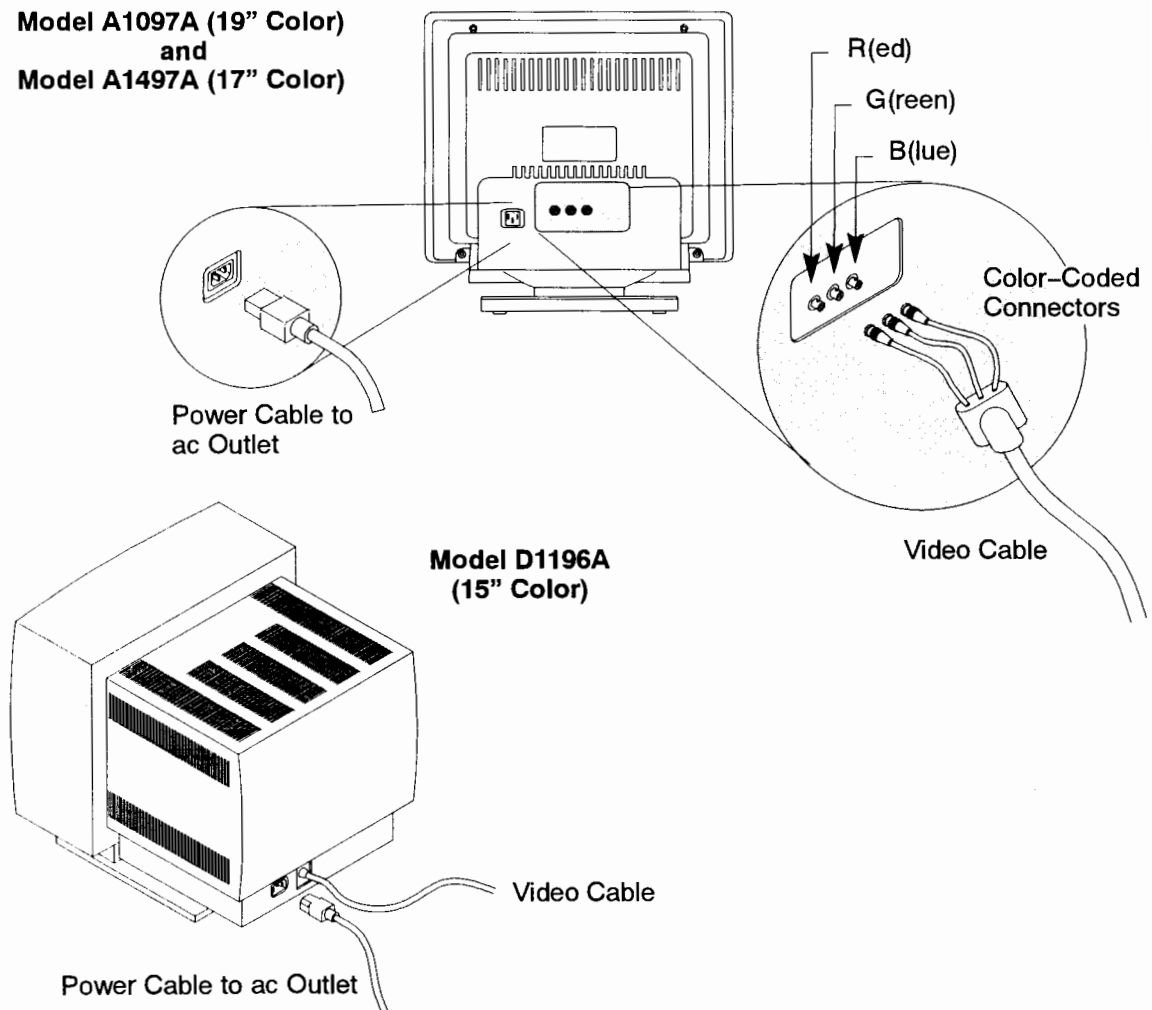
### 1 Unpack the Monitor from its Box

The monitor box contains only the monitor.

### 2 Identify Your Monitor

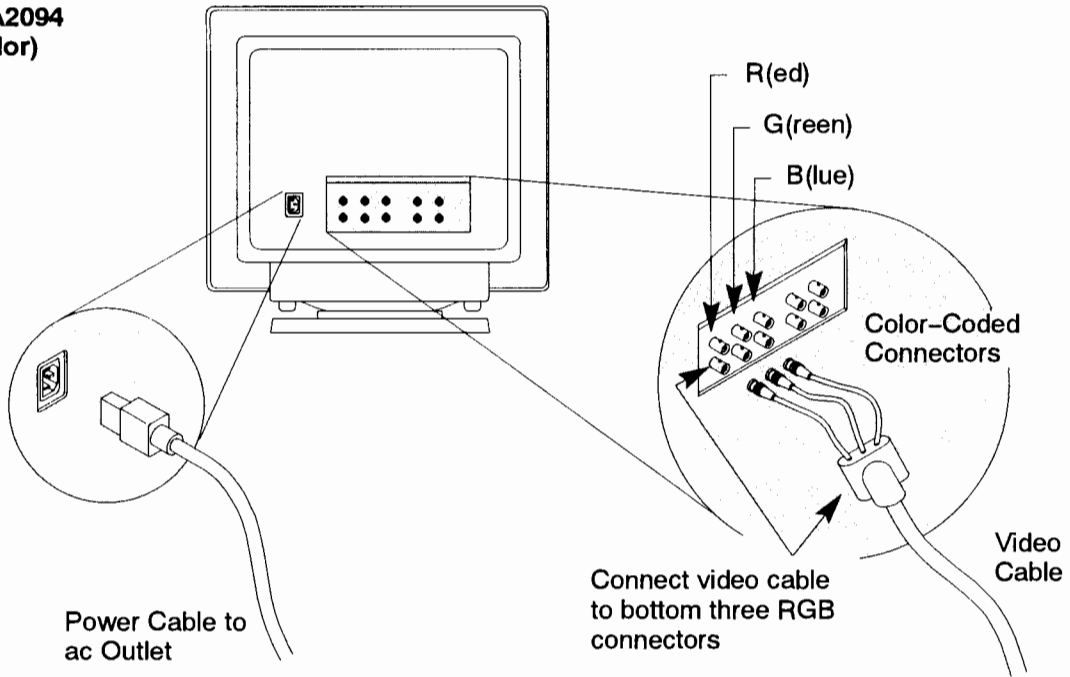
Use the following illustrations to identify your monitor.

**NOTE:** The CRX optional graphics support only the 19-inch color monitors.

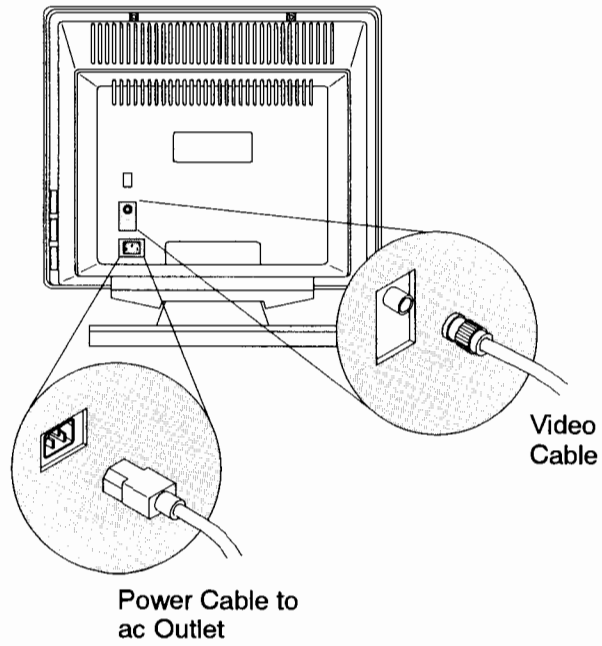




**Model A2094  
(19" Color)**



**Model A2088A  
(19" Grayscale)**

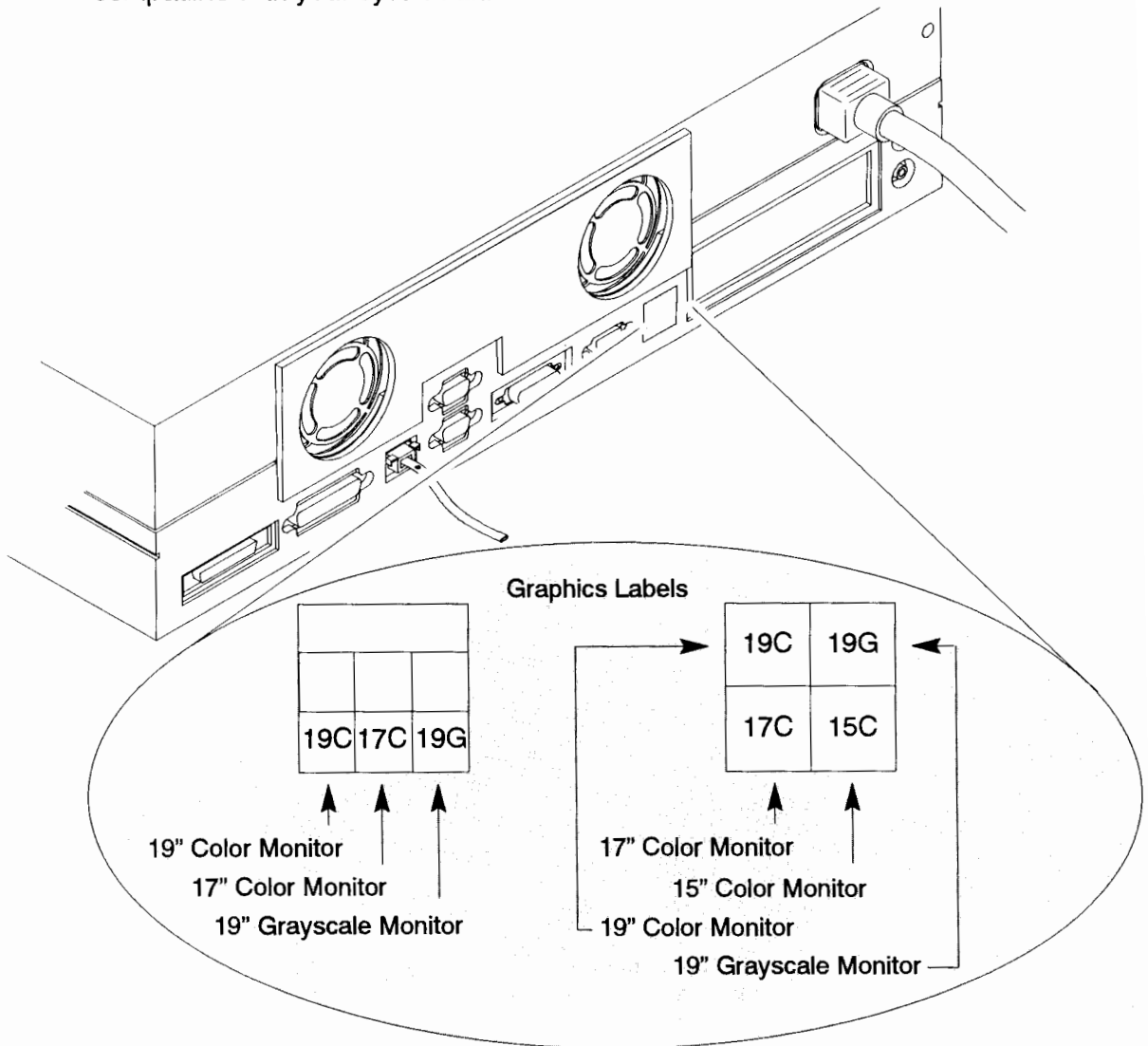


Monitor/Graphics Unit

### 3 Check for the Correct Monitor

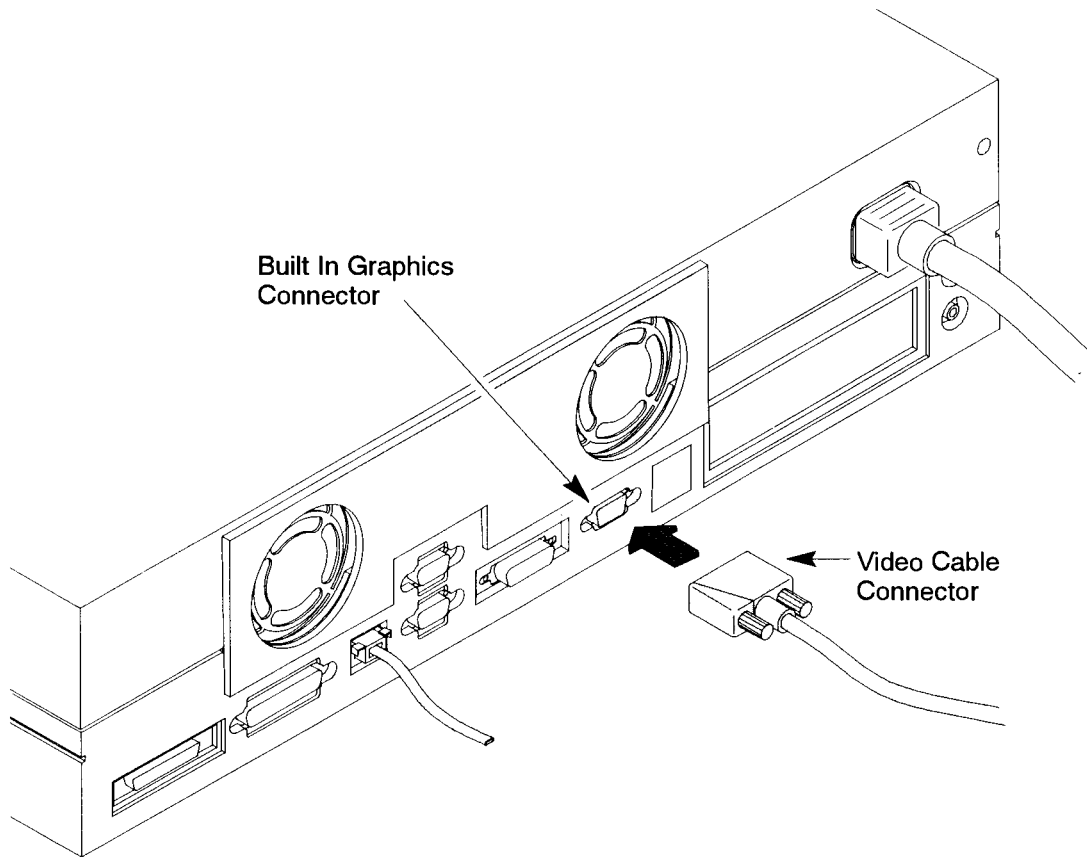
If your workstation has optional CRX graphics, confirm that you have a 19-inch color monitor. Go to Step 5, **Connect the Video and Power Cables to the Monitor**

If your system unit uses the built-in graphics, it is preconfigured to use a specific type of monitor, which is identified on the rear of the system unit by one of the two labels shown. These translucent labels have labeled boxes which correspond to one of the monitor types. Before you connect a monitor to the built-in graphics connector, note which box covers the access hole to verify that your monitor is compatible with your system unit.



#### 4 Connect the Video Cable to the System Unit

Make sure that the video cable connector is correctly aligned with the built-in graphics connector on the rear of the system unit. Plug the video cable into the back of the system unit and tighten the thumb screws.



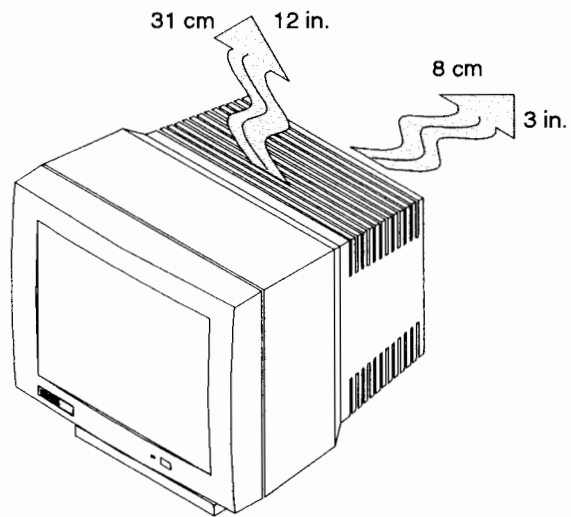
Monitor/Graphics Unit

## 5 Connect the Video and Power Cable to the Monitor

Make the video cable and the monitor power cable connections, as shown in Step 2, **Identify Your Monitor**.

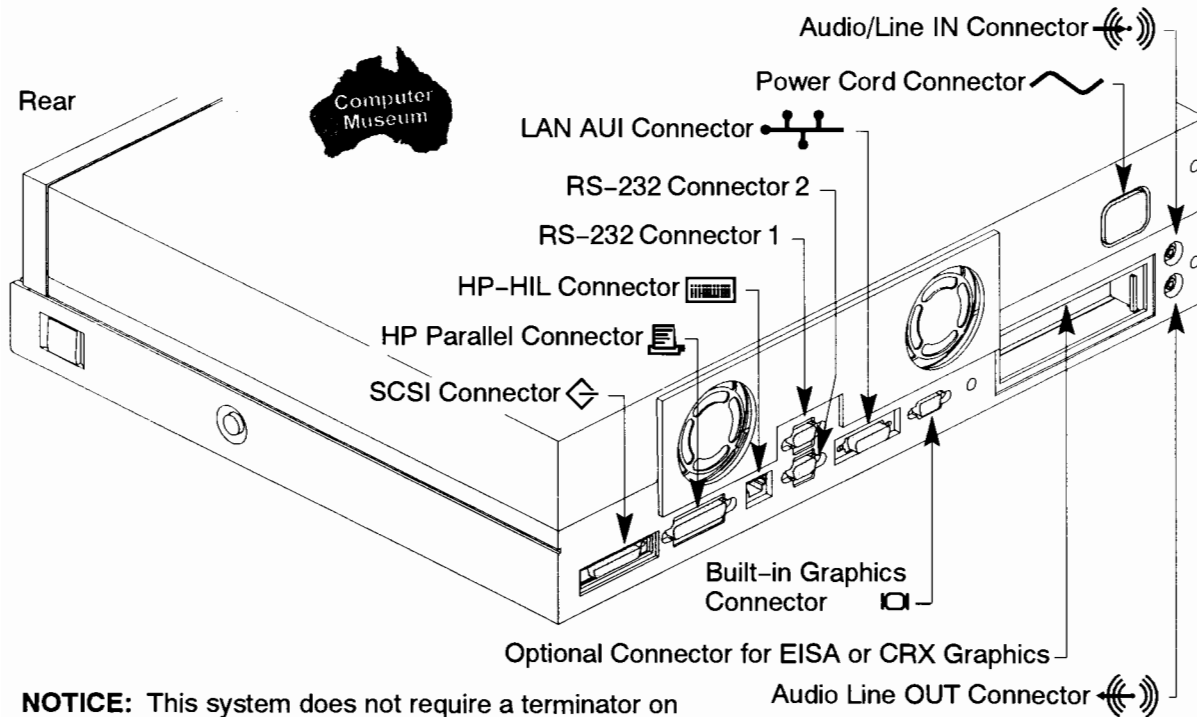
## 6 Place Your Monitor

Allow adequate space around your monitor, as shown, to provide for proper air flow.

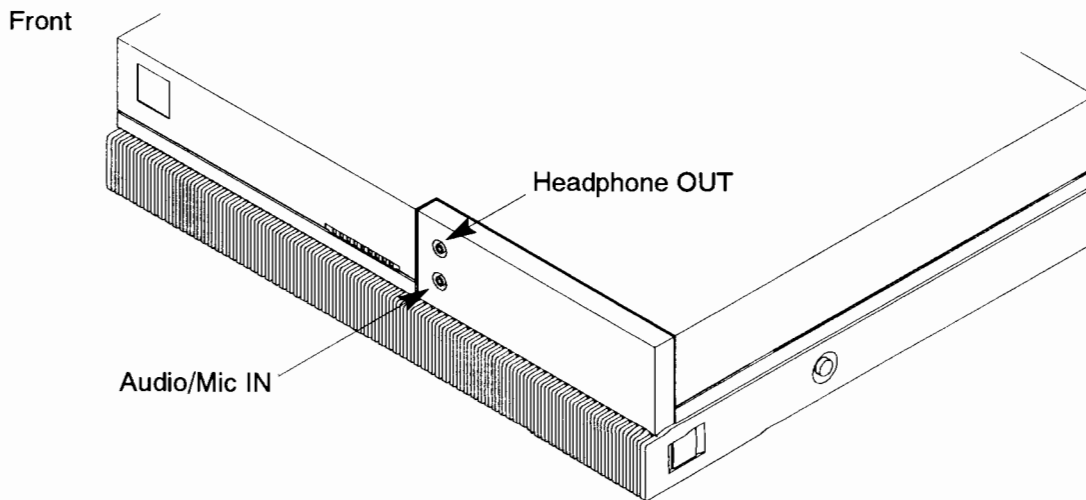


# Connect Any HP Apollo Peripheral Cables

If you have a peripheral device, install it according to the directions shipped with the product. Lock all locking devices, if any, onto the connectors. This illustration identifies the connectors on the system unit, and their corresponding international symbols.



**NOTICE:** This system does not require a terminator on the SCSI connector if there is no external SCSI peripheral connected.

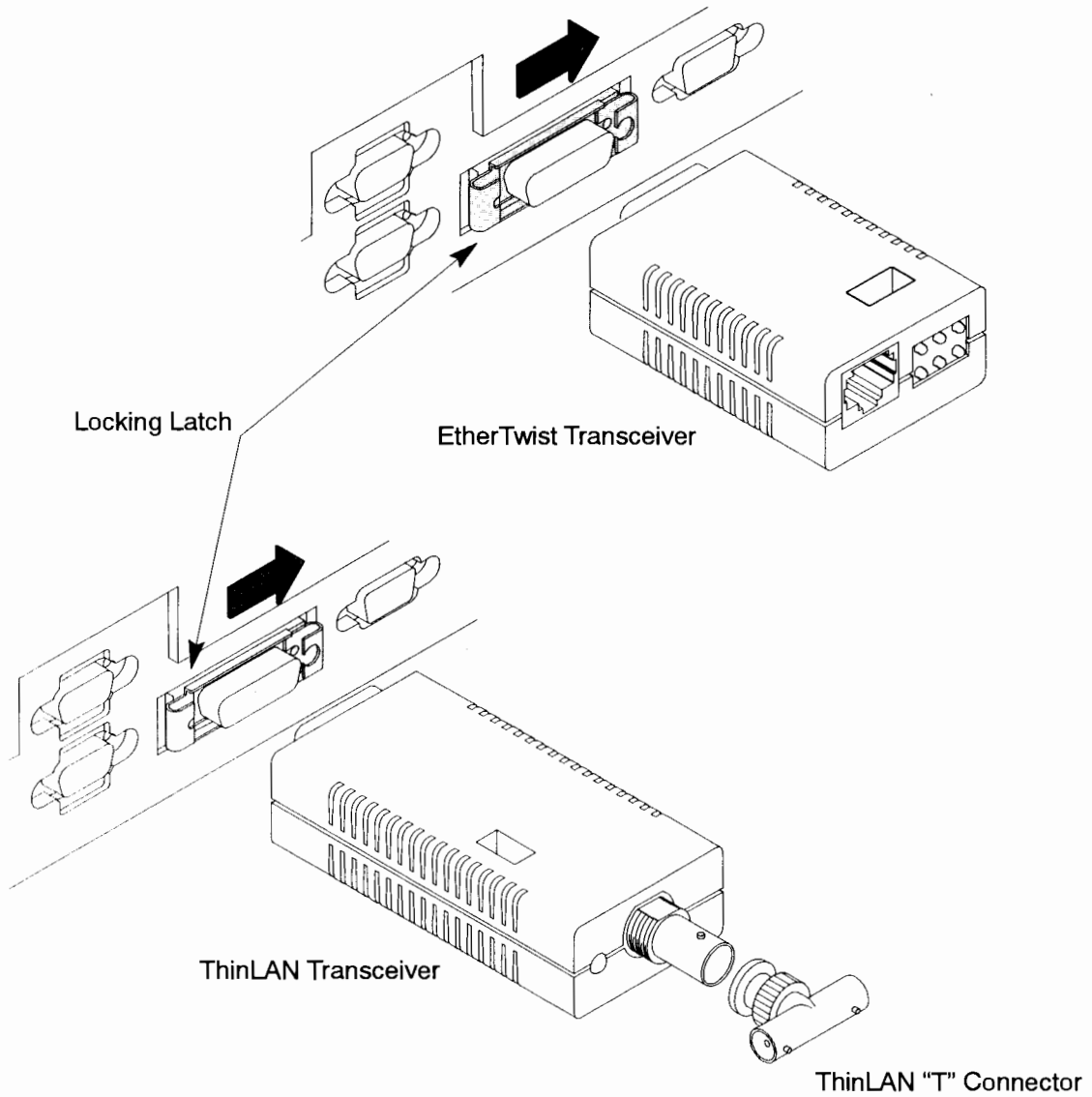


Cables

## Connect Any Network Cables

The system unit has a ThickNet LAN AUI connector for network connections. You must use an external transceiver to connect your system to a network. The following illustration shows some example external transceiver connections. When you connect the transceiver or transceiver cable to the LAN AUI connector, slide the locking latch into place, as shown.

If your transceiver has any configuration switches or jumpers, refer to the documentation that shipped with the transceiver for information about positioning them.



## Boot the System

If your system has preloaded software (the HP-UX operating system is loaded on the hard disk at the factory), it is shipped with a yellow sticker covering the system unit's power switch. Use the following procedures to start up a workstation that has preloaded software.

For start-up procedures for other configurations, go to the section "Starting Up Your Workstation for the First Time" in Chapter 2 or Chapter 3 of the *HP Apollo 9000 Series 700 Model 715 Owner's Guide* that shipped with your system. (Chapter 2 is for HP VUE users, Chapter 3 is for HP-UX command line users.)

### 1 Know the Boot Information Before You Turn On the System

When you turn on your workstation for the first time (as described in Step 3), the system prompts you to provide information. If you do not have the information, press <Return> at the prompt, and HP-UX will use default values. Before you start, you should know the following information, some of which you've already provided on Page 2 of this document:

- The *system name* of your computer. (This is sometimes called the *host name*.) The system name cannot exceed eight characters in length. Obtain a system name from your system administrator.
- If you are connecting your system to a local area network (LAN), you also need to know the *Internet Protocol address (IP address)* of your computer. This is a four-element code that uniquely identifies your computer among all those located on your network (or any other network). Obtain this address from your system administrator.
- The *time zone* where your computer is located.

If you do not have the information when prompted for it, you can provide it later by running the script `/etc/set_parms` from a terminal window, as described in Chapter 2 or Chapter 3 of the *Model 715 Owner's Guide*.

You should also provide a root password when the system queries you. If you choose not to select a root password, you may do so later as described in Chapter 2 or Chapter 3 of the *Model 715 Owner's Guide*.

## 2 Power On the Monitor

Plug the monitor's power cord into an ac outlet. Press the power switch to ON. The power-on LED lights up to indicate that the monitor power is on. If you are unable to locate the power switch or power LED on your monitor, refer to Chapter 1 of the *Model 715 Owner's Guide* that shipped with your system.

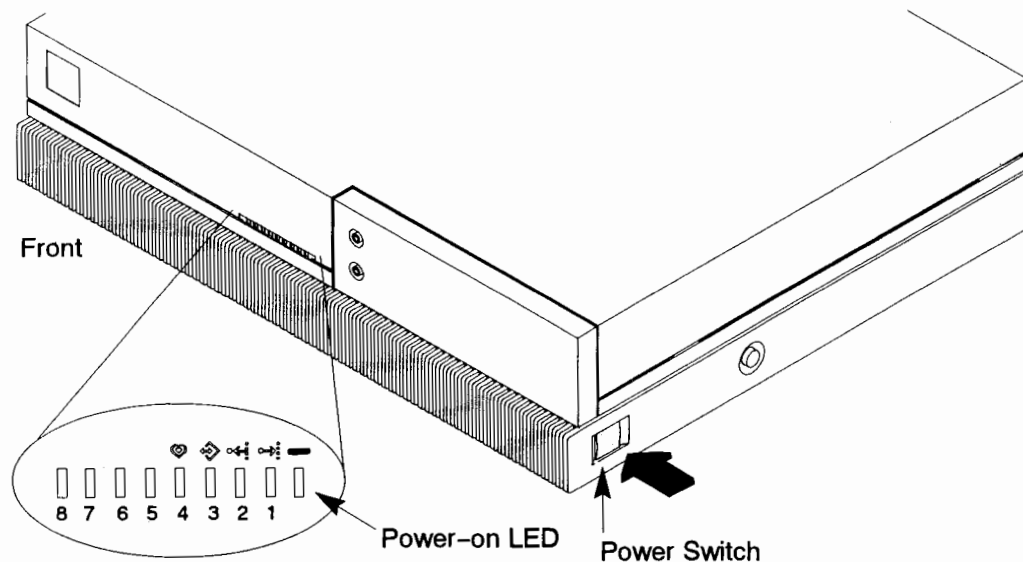
## 3 Power On the System Unit

Plug the power cables of any peripherals that are connected to the system unit into an ac outlet. Power on the peripherals.

Plug the system unit's power cord into an ac outlet. Note that the system unit's power switch is a single-position switch, so you cannot determine if the switch is in the on or off position until you plug the system unit's power cord into an ac outlet.

If the power switch is on, the power-on LED lights up to indicate that the system unit power is on. If the power-on LED does not light, press in the power switch to turn on the system unit.

Answer the system name, network, and time zone questions described earlier. After about three minutes, messages appear on your screen conveying information about the various hardware and software subsystems that are being activated by the bootup process. You do not have to respond to any of these messages.



- 4 Now go to Chapter 2 or Chapter 3 of the *Model 715 Owner's Guide* that shipped with your system. It tells you how to log in and start using your workstation.



UNIX is a registered trademark of UNIX System Laboratories Inc.

#### NOTICE

The information contained in this document is subject to change without notice.

HEWLETT-PACKARD MAKES NO WARRANTY OF ANY KIND WITH REGARD TO THIS MATERIAL INCLUDING BUT NOT LIMITED TO THE IMPLIED WARRANTIES OF MERCHANTABILITY AND FITNESS FOR A PARTICULAR PURPOSE. Hewlett-Packard shall not be liable for errors contained herein or for incidental or consequential damages in connection with the furnishing, performance or use of this material.

Hewlett-Packard assumes no responsibility for the use or reliability of its software on equipment that is not furnished by Hewlett-Packard.

This document contains proprietary information which is protected by copyright. All rights reserved. No part of this document may be photocopied, reproduced or translated to another language without the prior written consent of Hewlett-Packard Company.

RESTRICTED RIGHTS LEGEND. Use, duplication, or disclosure by government is subject to restrictions as set forth in subdivision (c)(1)(ii) of the Rights in Technical Data and Computer Software Clause at DFARS 252.227.7013. Hewlett-Packard Co., 3000 Hanover St., Palo Alto, CA 94304

10 9 8 7 6 5 4 3 2 1

#### Emissions Regulations

##### Federal Communications Commission (FCC)

The Federal Communications Commission of the U.S. government regulates the radio frequency energy emanated by computing devices through published regulations. These regulations specify the limits of radio frequency emission to protect radio and television reception. All HP workstations and workstation peripherals have been tested and comply with these limits. The FCC regulations also require that computing devices used in the U.S. display the agency's label and that the related documentation include the following statement:

**NOTICE:** This equipment has been tested and found to comply with the limits for a Class A digital device pursuant to Part 15 of FCC Rules. These limits are designed to provide reasonable protection against harmful interference when the equipment is operated in a commercial environment. This equipment generates, uses, and can radiate radio frequency energy and, if not installed and used in accordance with the instruction manual, may cause harmful interference to radio communications. Operation of this equipment in a residential area is likely to cause harmful interference, in which case the user will be required to correct the interference at his own expense.

##### Canadian Department of Communications (DOC)

This digital apparatus does not exceed the Class A limits for radio noise emissions from digital apparatus as set out in the Radio Interference Regulations of the Canadian Department of Communications.

##### Korean Regulations on EMI, 1991-3

Please note that this device has been approved for business purpose with regard to electromagnetic interference.

#### VCCI Class 1 ITE

この装置は、第一種情報装置（商工業地域において使用されるべき情報装置）で商工業地域での電波障害防止を目的とした情報処理装置等電波障害自主規制協議会（VCCI）基準に適合しております。  
従って、住宅地域またはその隣接した地域で使用すると、ラジオ、テレビジョン受信機等に受信障害を与えることがあります。  
取扱説明書に従って正しい取り扱いをして下さい。

VCCI基準に適合する為、シールドされたケーブルをご使用下さい。

#### Emissions Regulations Compliance

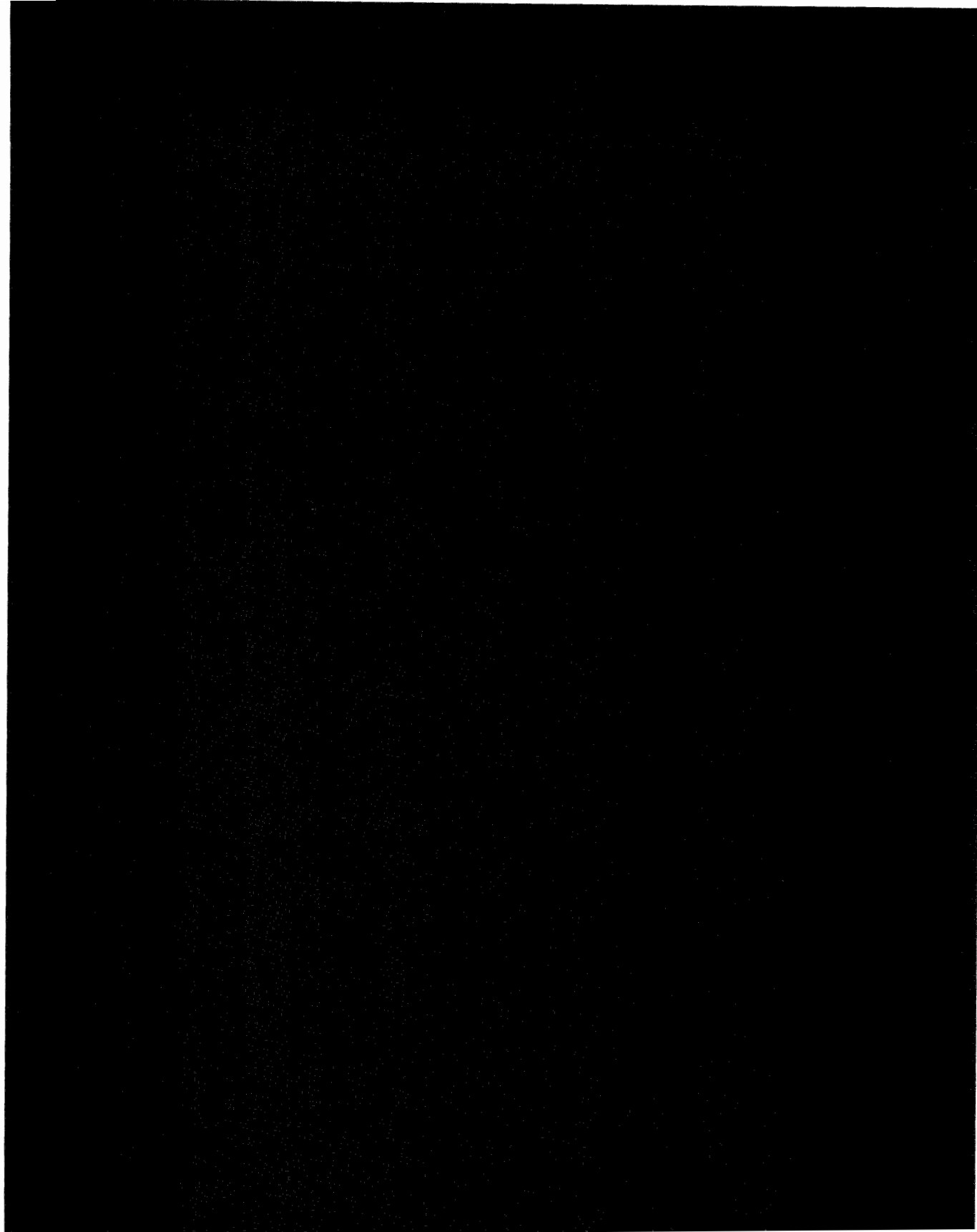
To maintain compliance to emissions regulations, verify that all cable mounting hardware are firmly seated.

#### German Acoustics Noise Declaration

LpA < 70 dB	LpA < 70 dB
operator position	am Arbeitsplatz
normal position	normaler Betrieb
per ISO 7779	nach DIN 45635 T. 19

#### Emissions Regulations Compliance

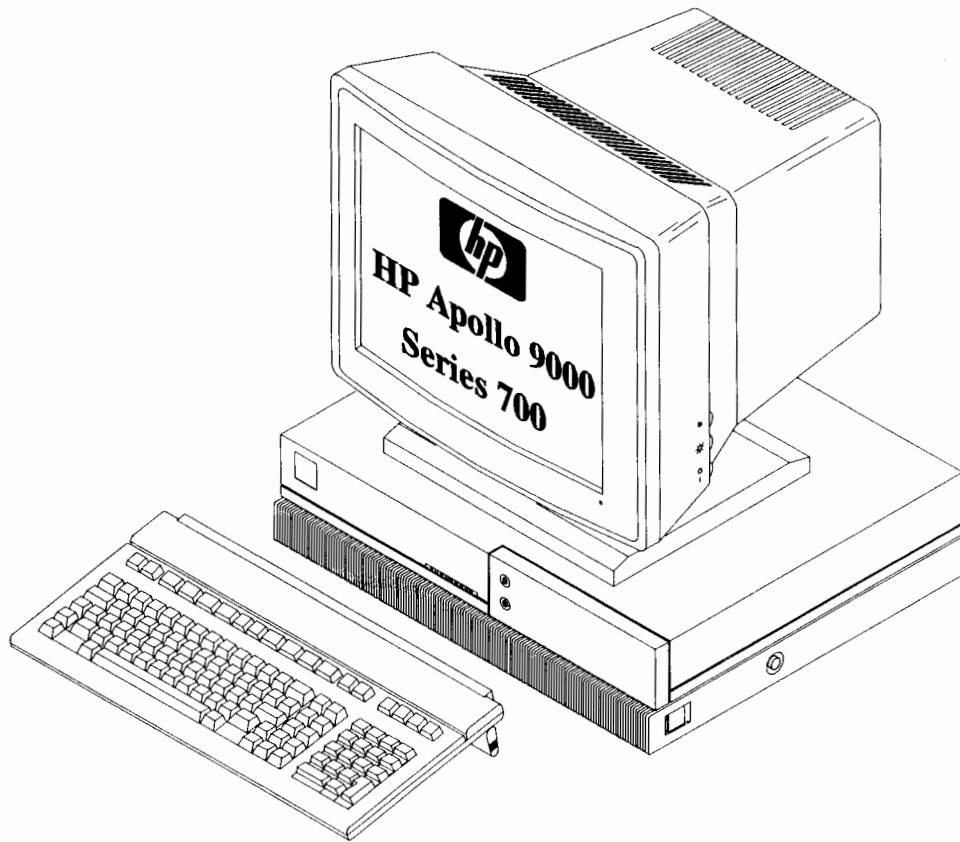
Any third-party I/O device installed in Apollo system(s) must be in accordance with the requirements set forth in the preceding Emissions Regulations statements. In the event that a third-party noncompliant I/O device is installed, the customer assumes all responsibility and liability arising therefrom.



# Hardwareinstallation



## Modell 715



Workstation Systems Group  
Hewlett-Packard Company  
300 Apollo Drive  
Chelmsford, MA 01824

In diesem Handbuch wird erläutert, wie Sie die Hardwarekomponenten der HP Workstations und Apollo 9000 der Serie 700 Modell 715 installieren. Es wird ebenfalls beschrieben, wie Sie die Workstation starten.

Wenn Sie die Workstation selbst installieren, empfehlen wir, die Schritte in den nachfolgenden Abschnitten in der angegebenen Reihenfolge auszuführen.

### **Wird Ihre Workstation in einem Netzwerk verwendet?**

Wenn ja, dann beginnen Sie mit diesem Abschnitt. Andernfalls beginnen Sie mit dem nächsten Abschnitt.

#### **Vorbereiten des Netzwerkanschlusses**

Zum Lieferumfang Ihres Rechners gehört eine Liste mit den verschiedenen Komponenten. Diese Liste enthält folgende Nummern, die Sie dem Systemverwalter mitteilen müssen. Sie werden zum Einrichten Ihrer Workstation auf dem Netzwerk-Server benötigt:

- LANIC ID Nummer (z.B. 0800091595EE) \_\_\_\_\_

Ist an Ihrer Workstation kein Festplattenlaufwerk vorhanden, muß zum Starten von HP-UX eine Verbindung zum Netzwerk-Server hergestellt werden.

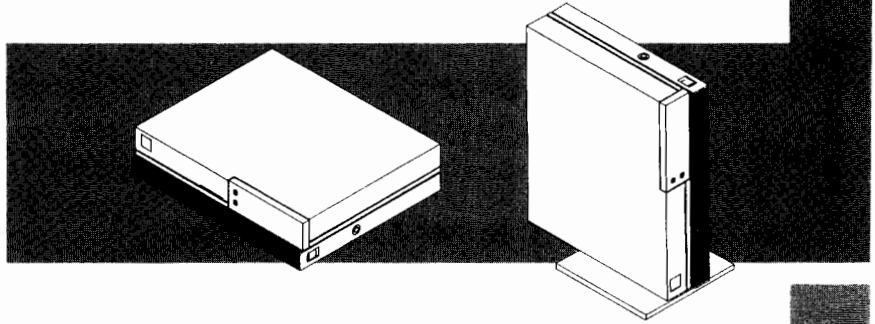
#### **Bitten Sie den Systemverwalter um folgende Informationen und Komponenten:**

- Systemname (oder Host-Name): \_\_\_\_\_
- Internet Protocol-Adresse (IP): \_\_\_\_\_
- LAN-Kabel vom Server oder dem letzten Rechner im Netzwerk.
- Zum Herstellen einer Verbindung zum lokalen Netzwerk wird ein AUI-Transceiver benötigt.

# Dieses Handbuch ist in Abschnitte zu folgenden Komponenten bzw. Prozessen aufgeteilt:

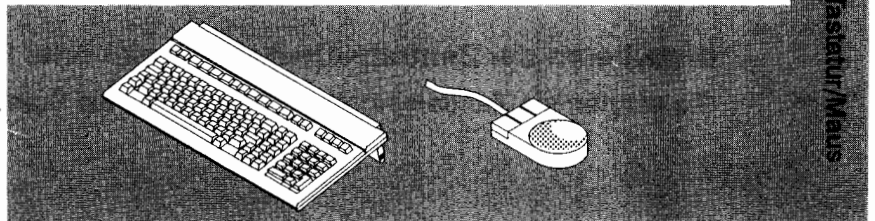
- **Zentraleinheit**

Es wird erläutert, wie Sie die Zentraleinheit als Stand- oder Tischmodell installieren.



- **Tastatur/Maus**

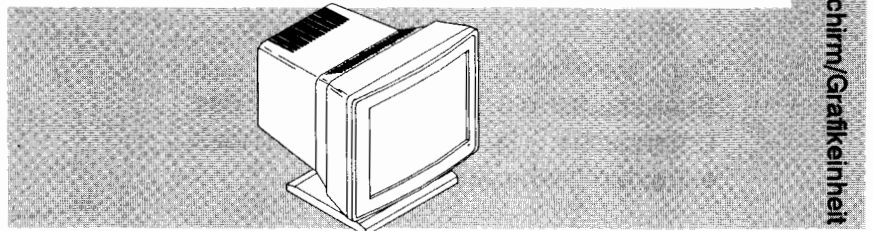
Es wird erläutert, wie die Maus an die Tastatur und die Tastatur an die Zentraleinheit angeschlossen wird.



Tastatur/Maus

- **Monitor und Grafikprozessor**

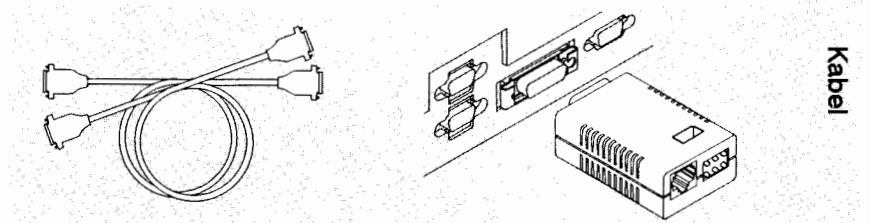
Es wird erläutert, wie Sie den Bildschirm und den Grafikprozessor (auf Systemen mit CRX-48Z-Grafikprozessoren) an die Zentraleinheit anschließen.



Bildschirm/Grafikeinheit

- **Kabel und Transceiver**

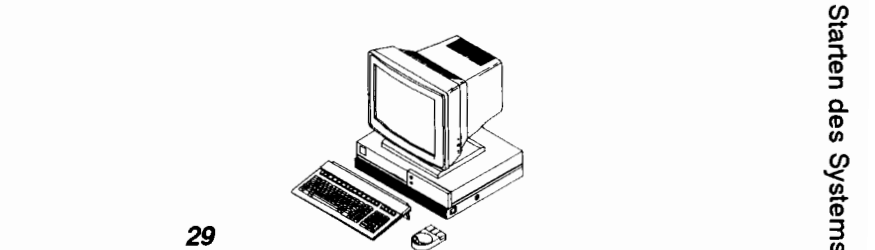
Es wird erläutert, wie Sie das Netzwerk und die E/A-Kabel anschließen.



Kabel

- **Starten des Systems**

Es wird beschrieben, wie Sie den Bildschirm und das System einschalten und das System starten.



Starten des Systems

## Überprüfen des Lieferumfangs der Zentraleinheit auf folgende Komponenten:

- Zentraleinheit
- Systemdokumentation
- Grafikprozessorkabel (wird später benötigt)
- Bildschirmkabel (wird später benötigt)
- Untersatz (für Standmodell)

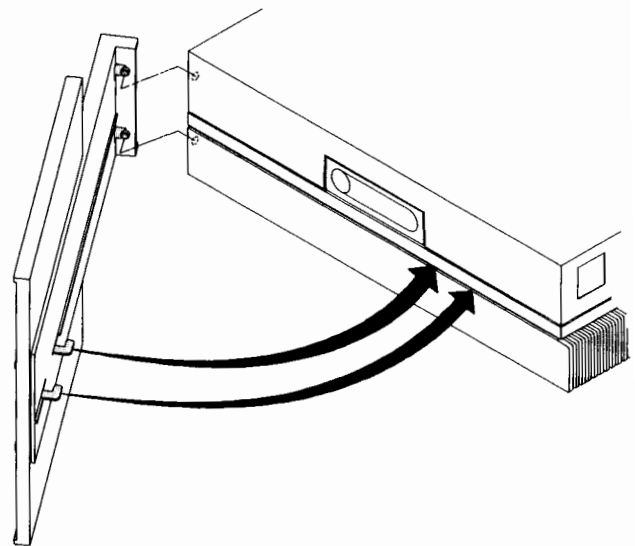
## Installieren interner Zusatzoptionen

Sind interne Zusatzoptionen (z.B. zusätzliche Hauptspeicher- oder Arbeitsspeichereinheiten) zu installieren, die Installation nun entsprechend den mit der Option gelieferten Anweisungen vornehmen.

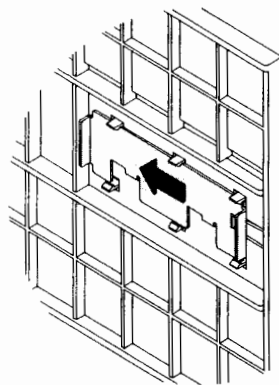
## Installieren der Zentraleinheit als Tisch- oder Standmodell

Sie können die Zentraleinheit als Tisch- oder als Standmodell aufstellen.

Zur Installation des Systems als Standmodell die Stifte und Haken des Untersatzes in der Zentraleinheit einrasten (siehe Abbildung).



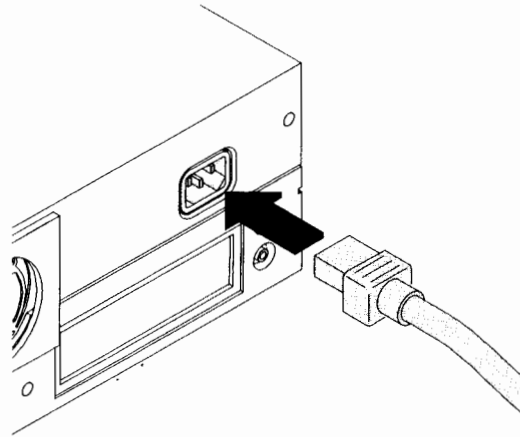
**Unterseite  
des Unter-  
satzes**



Die Verriegelung an der Unterseite des Untersatzes verschieben, bis sie einrastet (siehe Abbildung). Die Einheit auf dem Untersatz aufstellen.

## Anschließen des Netzkabels (Wechselstrom) der Zentraleinheit

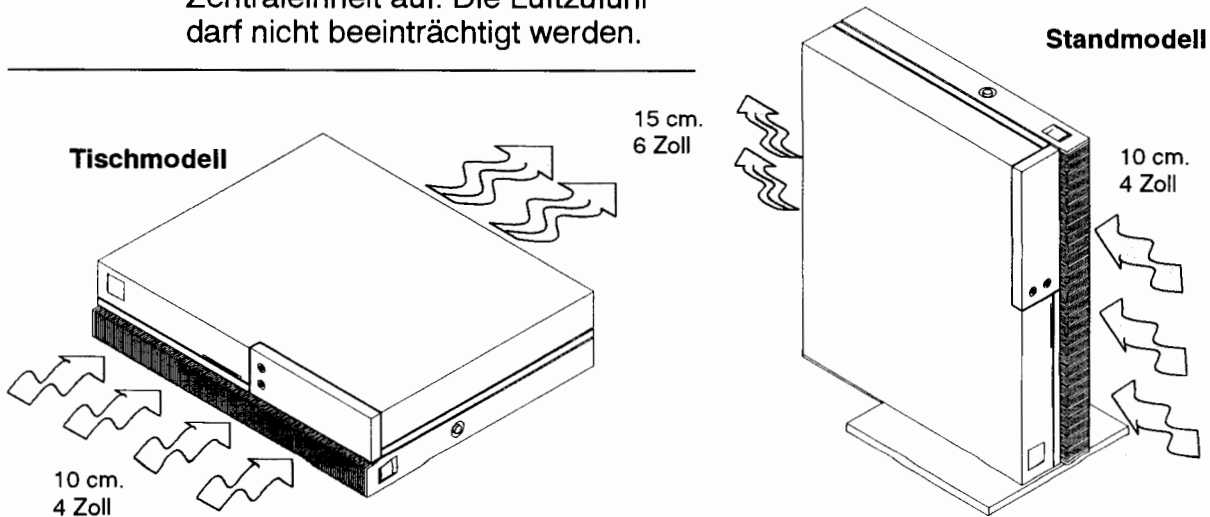
Nehmen Sie das Netzkabel für die Zentraleinheit aus dem Karton mit dem Zubehör. Schließen Sie das Netzkabel an der Zentraleinheit an (siehe Abbildung).



## Aufstellen der Zentraleinheit

### Hinweis **Bitte beachten Sie folgendes:**

Stellen Sie keine anderen Gegenstände in direkter Nähe der Zentraleinheit auf. Die Luftzufuhr darf nicht beeinträchtigt werden.



## Überprüfen Sie den Lieferumfang der Tastatur und des Zubehörs auf folgende Komponenten:

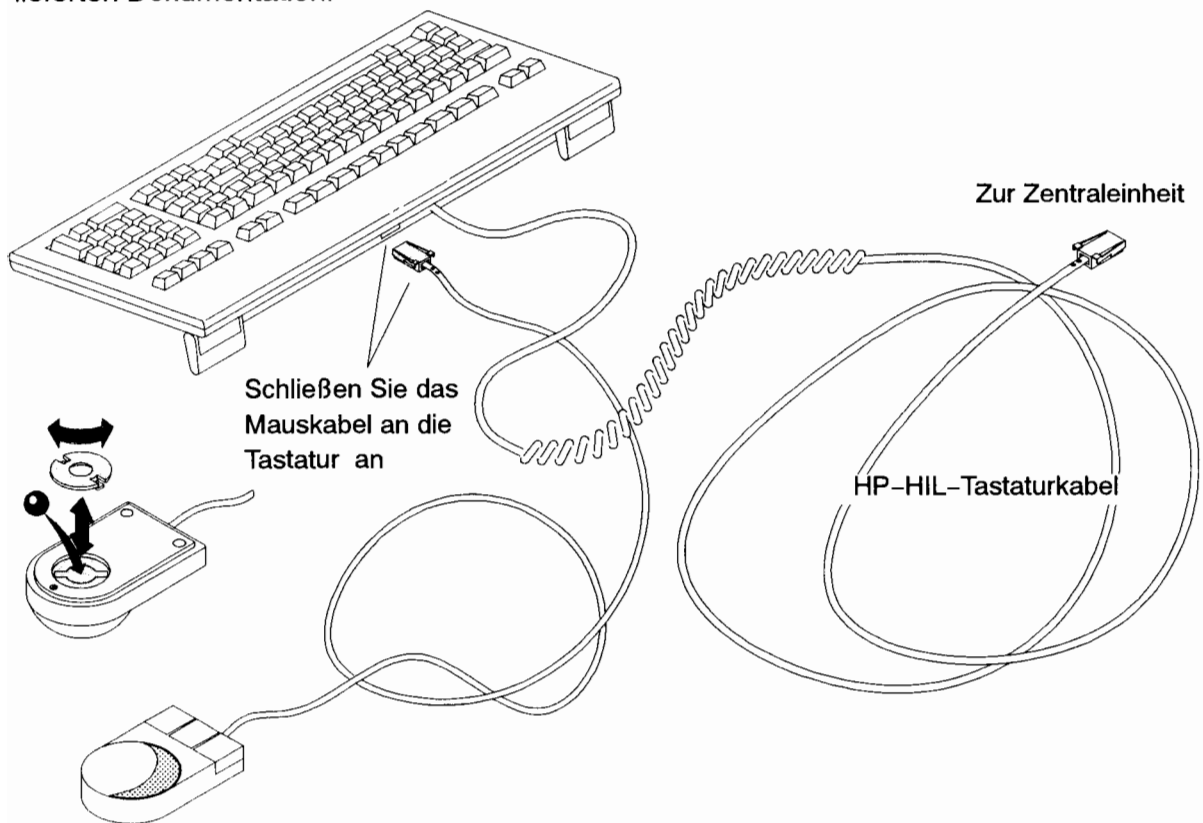
- Tastatur mit angeschlossenem Kabel
  - Maus mit angeschlossenem Kabel (ohne Mauskugel)
  - Bildschirmnetzkabel (wird später benötigt)
  - Netzkabel der Zentraleinheit (bereits verwendet)
  - Netzkabel des Grafikprozessors (wird später benötigt)
- ] Diese Kabel sind identisch.

## Anschließen der Maus an die Tastatur

Setzen Sie die Kugel in die Maus ein (siehe Abbildung).

Schließen Sie das Mauskabel an die Tastatur an (siehe Abbildung).

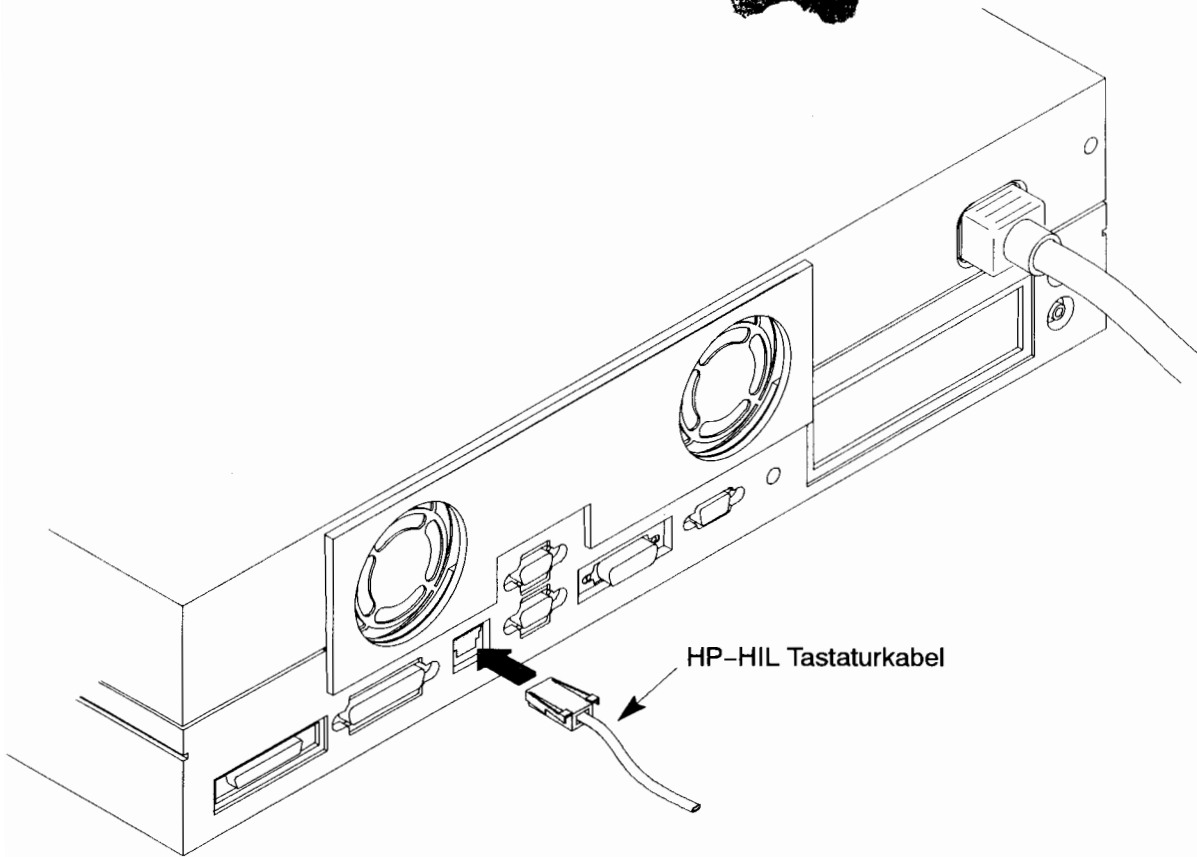
Installieren Sie gegebenenfalls auch alle weiteren HP-HIL-Geräte zu diesem Zeitpunkt. Entnehmen Sie die entsprechenden Installationsanweisungen der mit diesen Zusatzgeräten gelieferten Dokumentation.





## Anschließen der Tastatur an die Zentraleinheit

Schließen Sie das HP-HIL-Tastaturkabel an der Rückseite der Zentraleinheit an (siehe Abbildung).

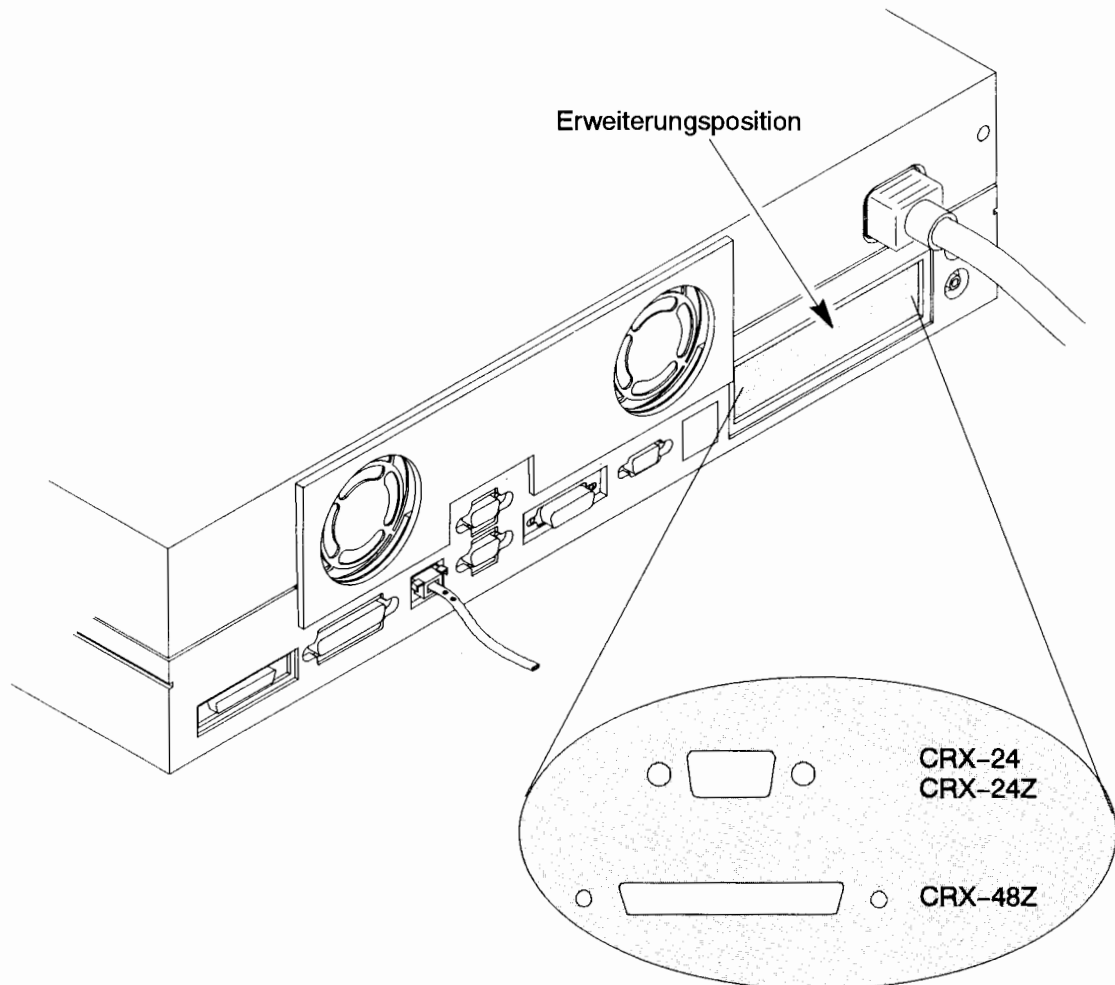


## Ist der optionale Grafikprozessor installiert?

Wenn Ihre Workstation werksseitig mit einem Grafikprozessor konfiguriert ist, sehen Sie in der Erweiterungsposition einen Anschluß.

Anhand der folgenden Abbildung können Sie feststellen ob, und falls ja, mit welcher Grafikerweiterung Ihre Workstation ausgestattet ist.

Wenn Ihre Workstation nicht mit einem Grafikprozessor ausgestattet ist, weiter mit **"Anschließen des Bildschirms"**.

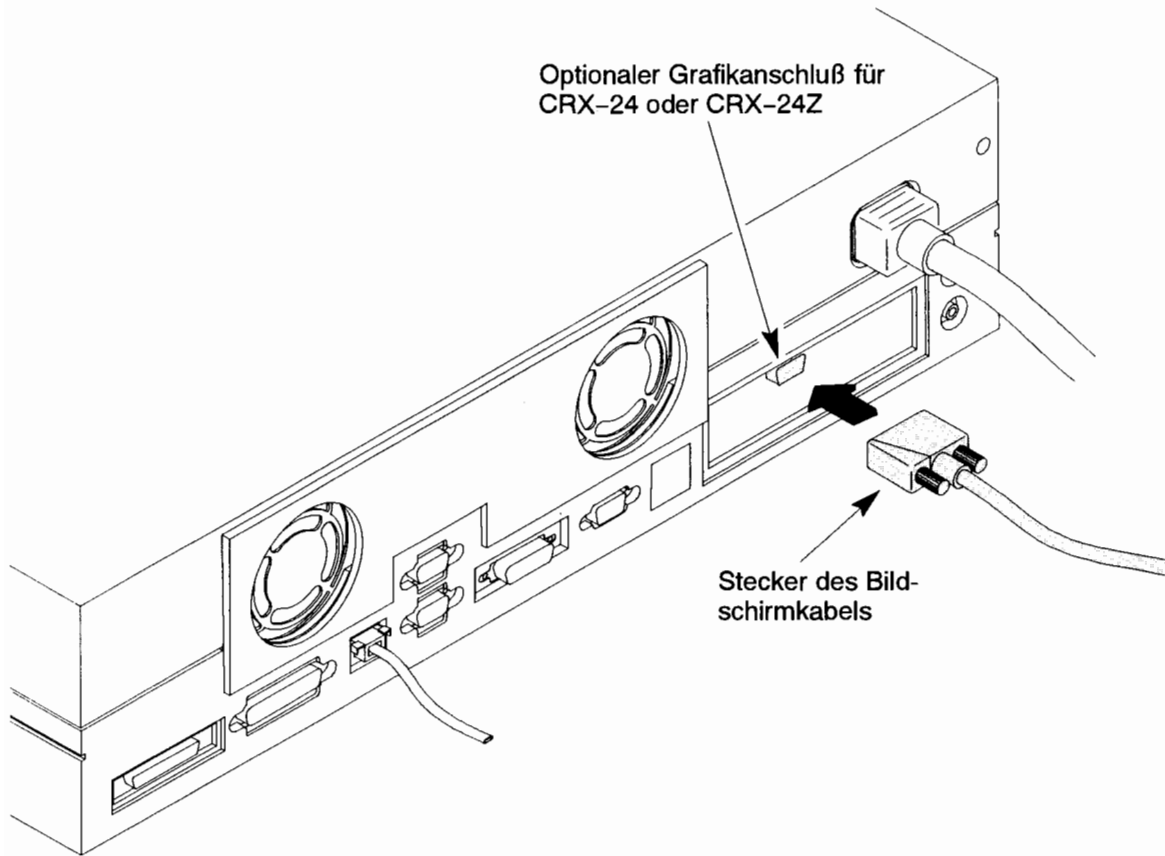


## Anschließen des Bildschirmkabels an die Zentraleinheit

Wenn Ihre Workstation mit einem Grafikprozessor CRX-48Z ausgestattet ist, weiter mit "Installieren des Grafikprozessors CRX-48Z".

Das Bildschirmkabel muß korrekt mit dem CRX-Grafikanschluß an der Rückseite der Zentraleinheit ausgerichtet sein. Stecken Sie das Bildschirmkabel wie abgebildet in den Grafikanschluß und drehen Sie die Rändelschrauben fest.

Weiter mit "Anschließen des Bildschirms".



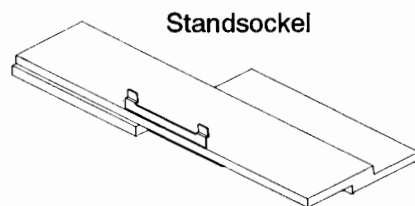
Bildschirm/Grafikeinheit

## Installieren des Grafikprozessors CRX-48Z

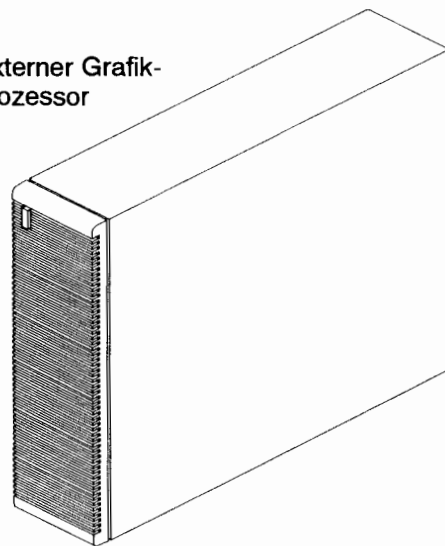
### 1 Auspacken des Grafikprozessors CRX-48Z

Folgende Komponenten müssen vorhanden sein:

- Grafikprozessoreinheit
- Standsockel

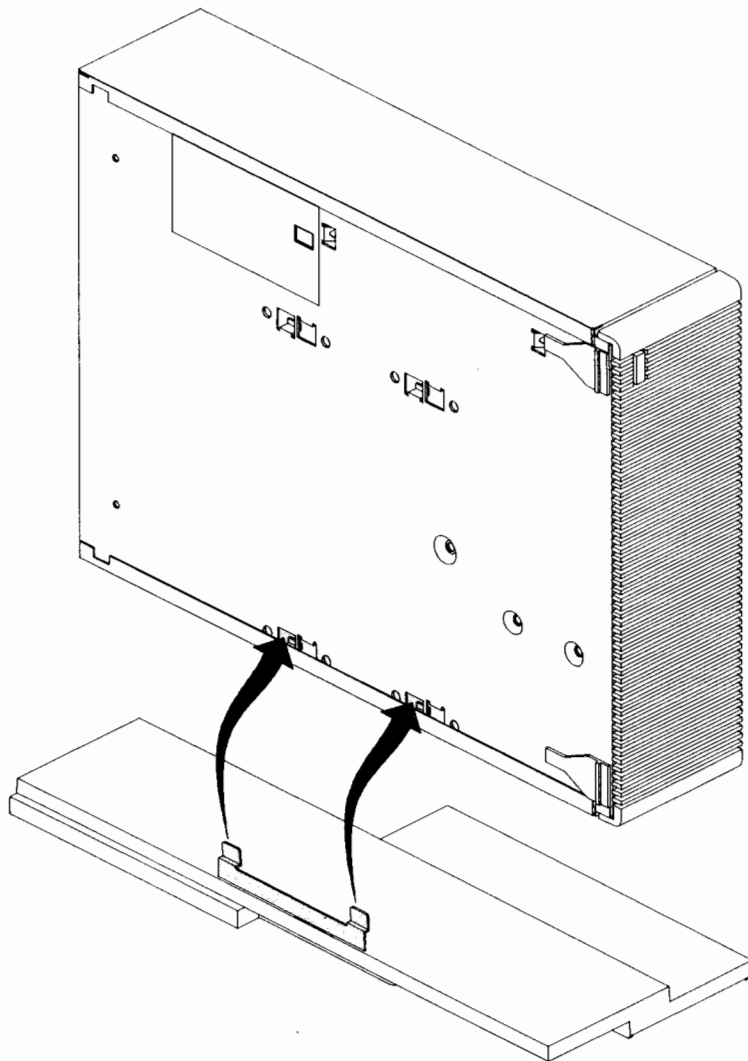


Externer Grafik-  
prozessor



## 2 Befestigen des Standsockels am Grafikprozessor

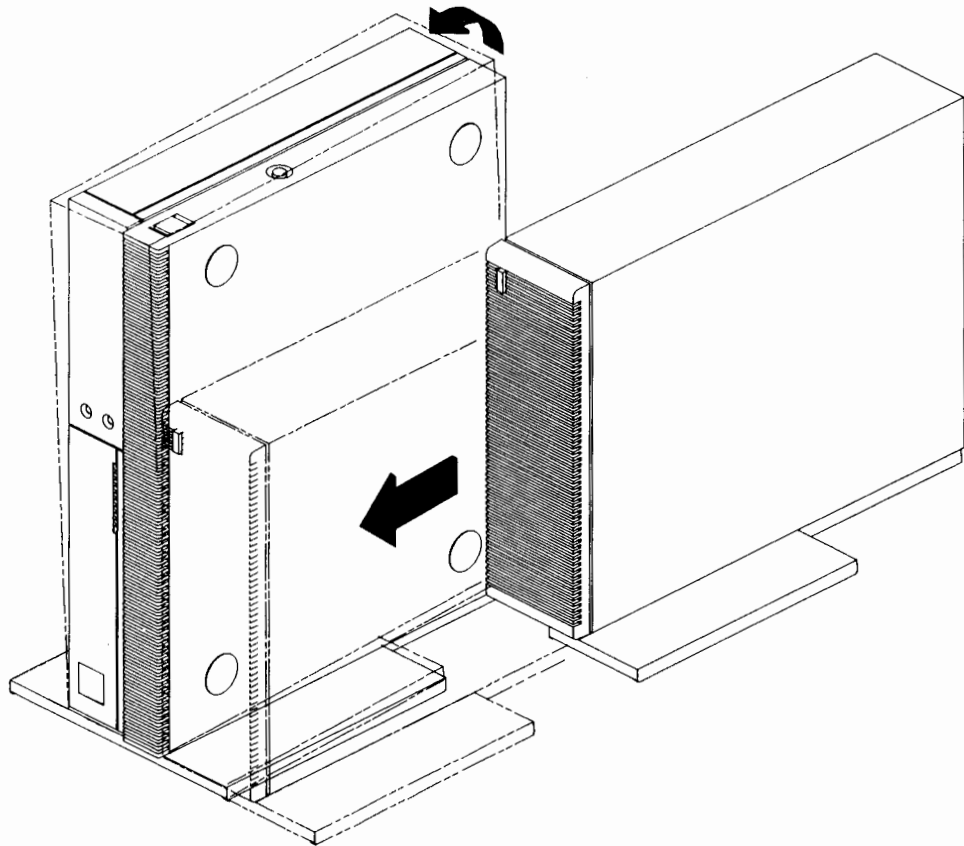
Wenn Sie Ihre Workstation in vertikaler Position (Standmodell) mit Standsockel aufbauen, befestigen Sie den Sockel wie abgebildet am Grafikprozessor CRX-48Z.



Bildschirm/Grafikeinheit

### 3 Anschließen des Grafikprozessors an die Workstation

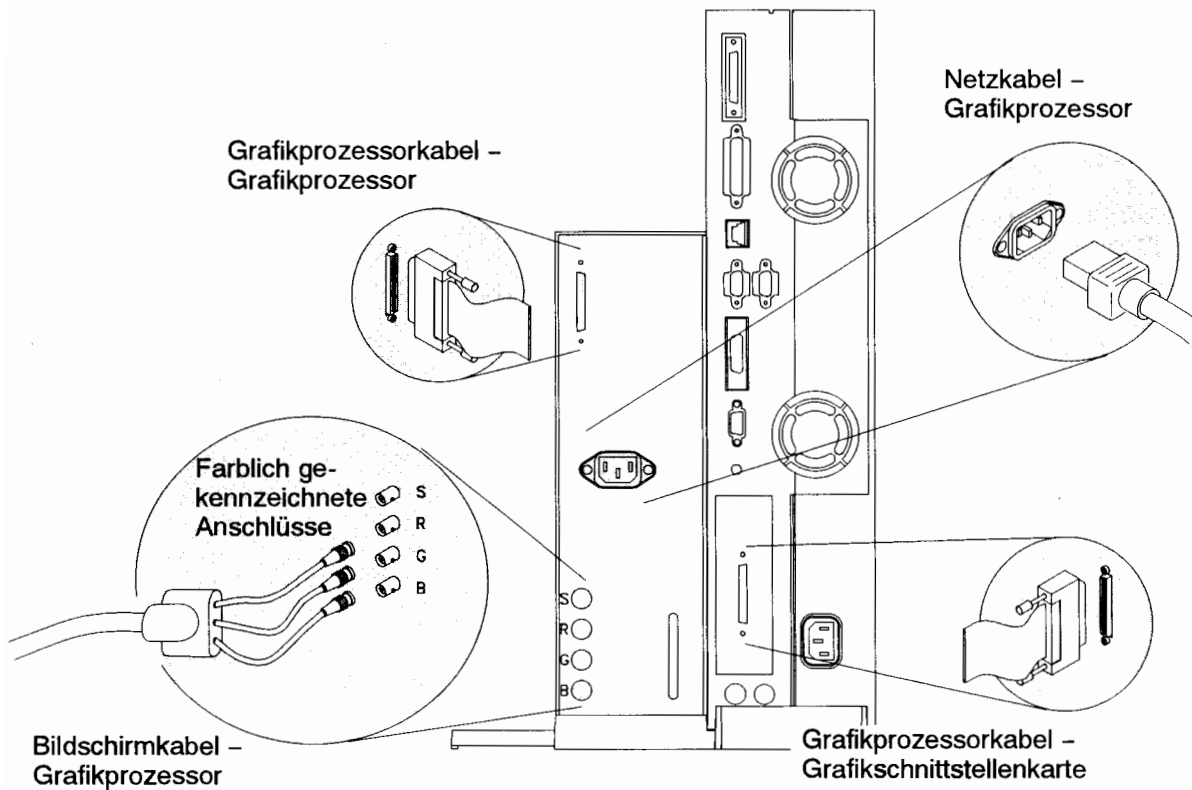
Wenn Sie Ihre Workstation in vertikaler Position (Standmodell) mit Standsockel aufbauen, befestigen Sie den Grafikprozessor und dessen Standsockel wie abgebildet am Sockel der Workstation.



Heben Sie den Zentraleinheit hinten leicht an, und schieben Sie die Grafikeinheit nach vorne neben die Workstation, so daß der Standsockel der Grafikeinheit vollständig in den Sockel der Workstation einrastet. Stellen Sie sicher, daß die Vorderseiten des Grafikprozessors und der Zentraleinheit eine Ebene bilden.

#### 4 Anschließen des Grafikprozessors CRX-48Z

Schließen Sie das Grafikprozessorkabel, das Bildschirmkabel und das Netzkabel wie abgebildet an.



Bildschirm/Grafikeinheit

# Anschließen des Bildschirms

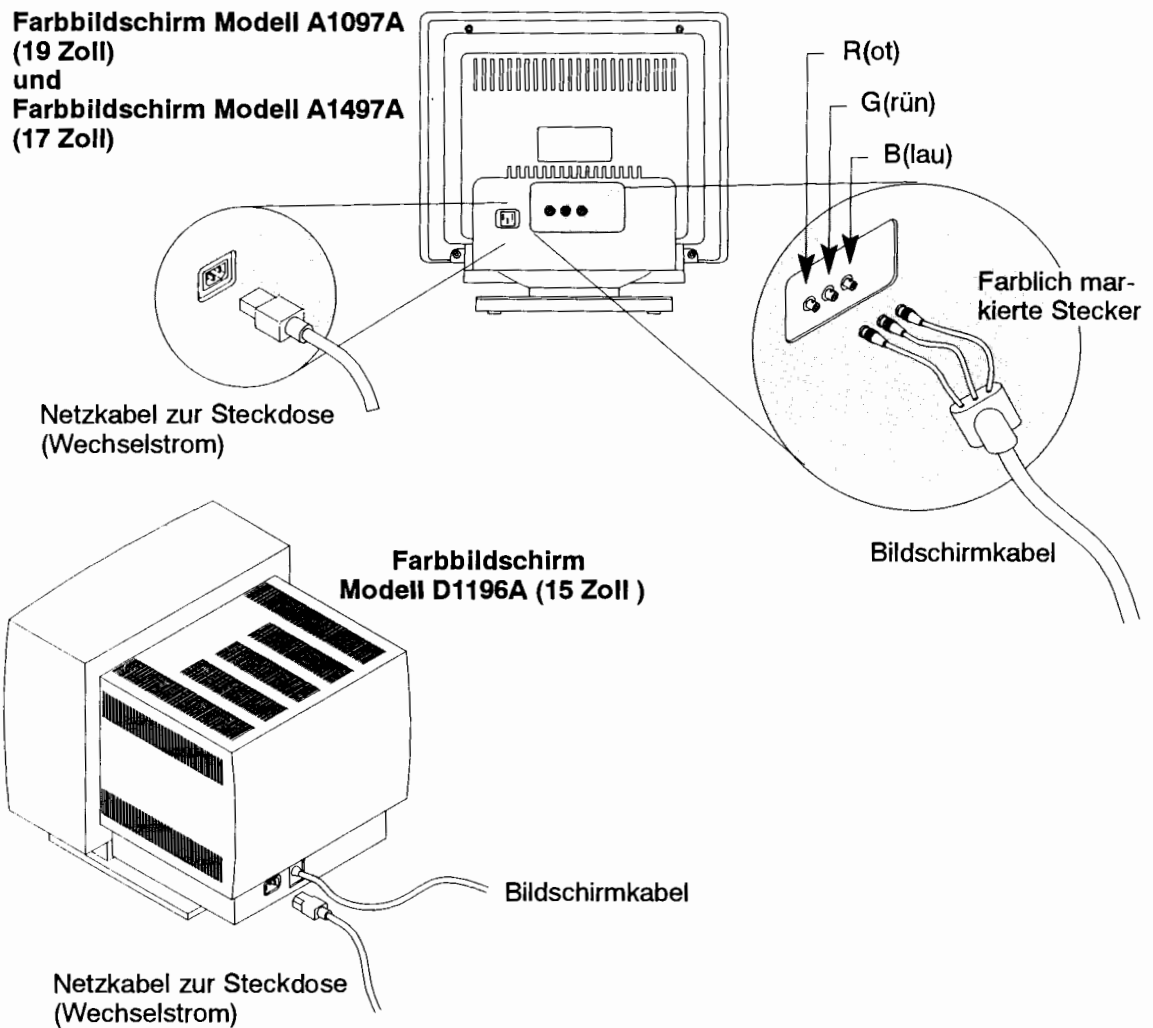
## 1 Auspacken des Bildschirms

Die Bildschirmverpackung enthält ausschließlich den Bildschirm.

## 2 Feststellen des Bildschirmtyps

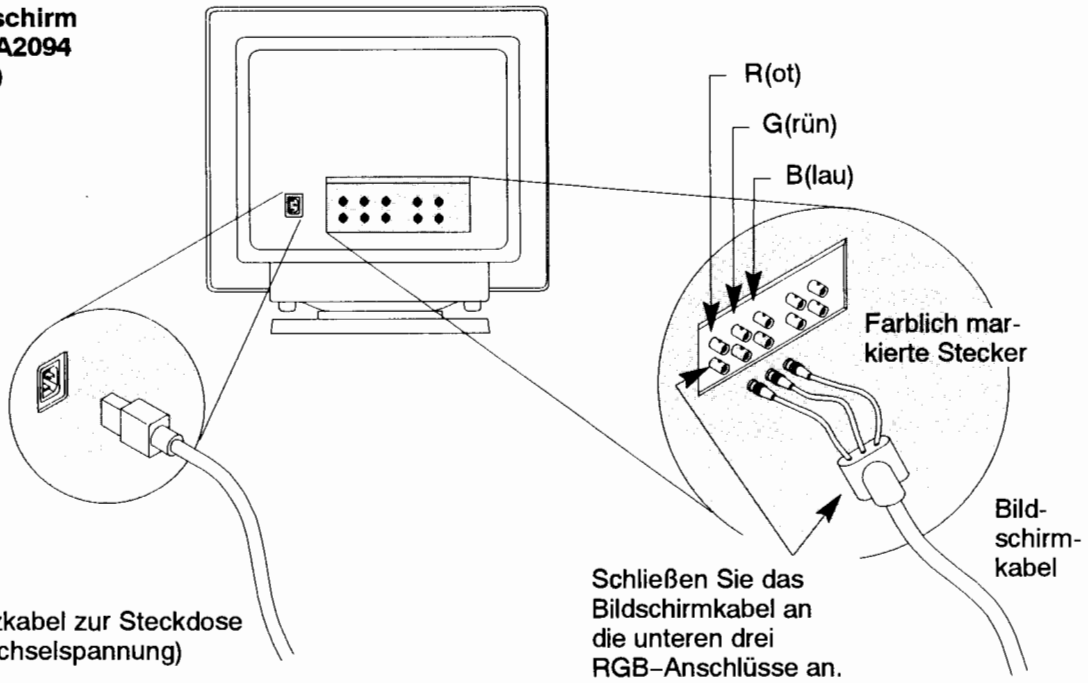
Anhand der folgenden Abbildungen können Sie feststellen, welchen Bildschirmtyp Sie haben.

**HINWEIS:** Die optionale CRX-Grafik unterstützt nur 19-Zoll-Farbbildschirme.

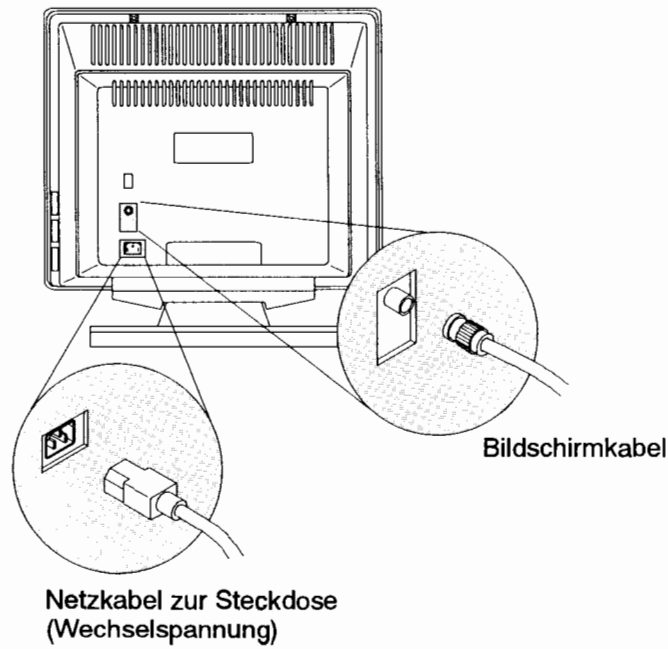




**Farbildschirm  
Modell A2094  
(19 Zoll)**



**Graustufenbildschirm  
Modell A2088A  
(19 Zoll)**

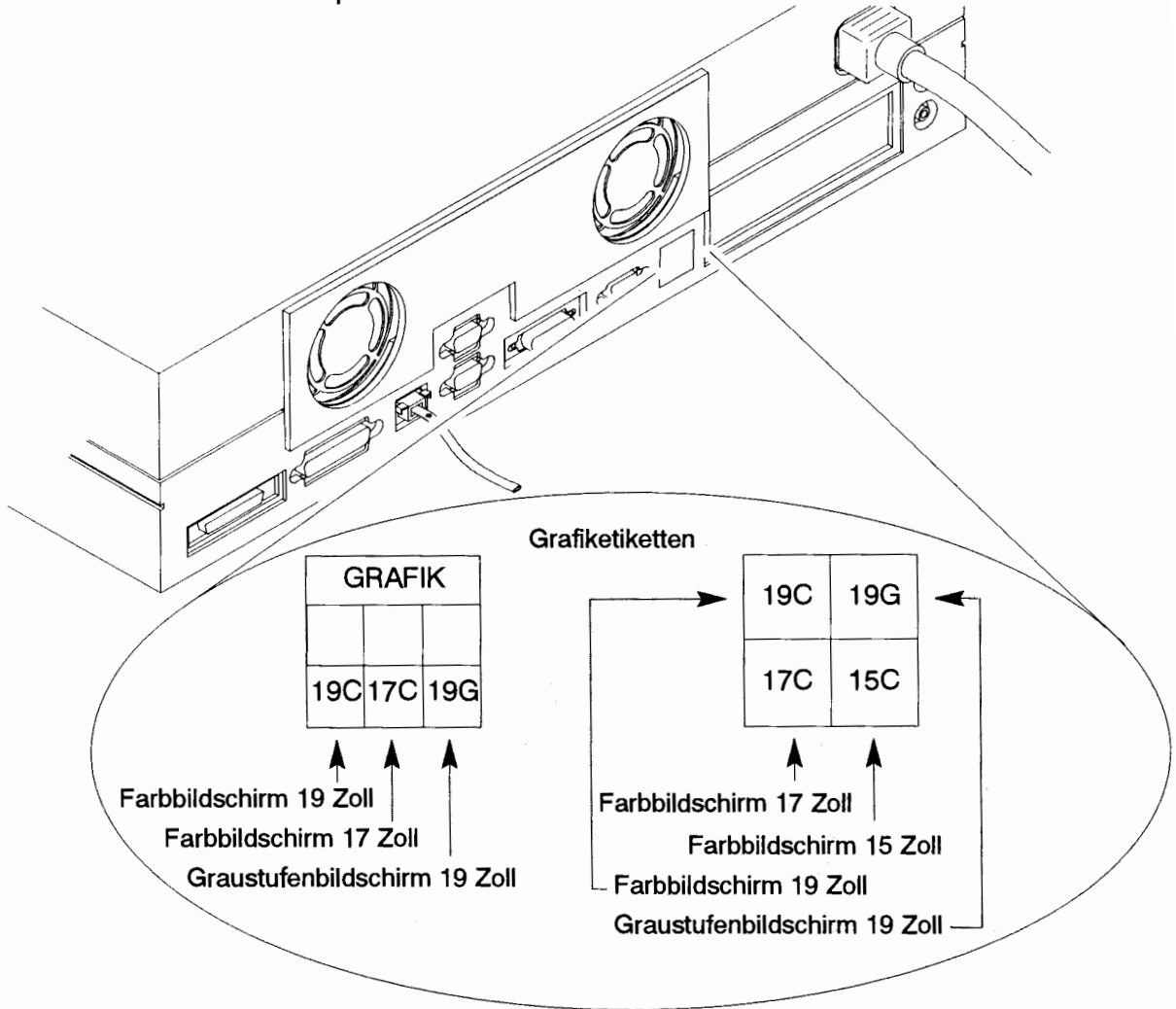


Bildschirm/Grafikeinheit

### 3 Haben Sie den richtigen Bildschirm?

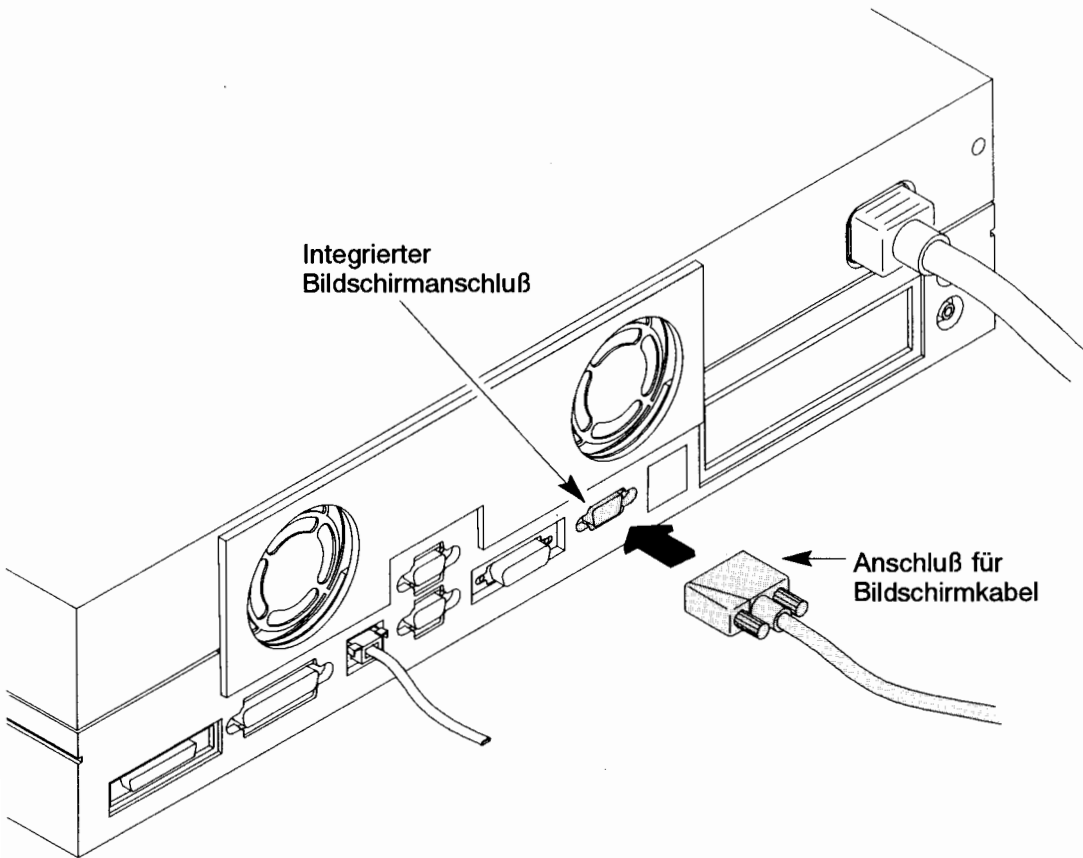
Wenn Ihre Workstation mit einem optionalen Grafikprozessor ausgestattet ist, benötigen Sie einen Farbbildschirm (19 Zoll). Weiter mit Schritt 5, "Anschließen von Bildschirm- und Netzkabel an den Bildschirm".

Eine Workstation mit integriertem Grafikprozessor ist werksseitig so konfiguriert, daß ein bestimmter Bildschirmtyp verwendet werden muß. Diesen Bildschirmtyp erkennen Sie an einem der zwei abgebildeten Etiketten auf der Rückseite der Systemeinheit. Diese halb durchsichtigen Etiketten tragen beschriftete Kästchen, die einem der benötigten Bildschirmtypen entsprechen. Bevor Sie einen Bildschirm an den integrierten Grafikananschluß anschließen, achten Sie darauf, welches Kästchen über dem Anschluß liegt, um sicherzustellen, daß Ihr Bildschirm mit der Zentraleinheit kompatibel ist.



#### 4 Anschließen des Bildschirms an die Zentraleinheit

Vergewissern Sie sich, daß der Anschluß des Bildschirmkabels richtig mit dem Bildschirmanschluß an der Rückseite der Zentraleinheit ausgerichtet ist. Stecken Sie das Bildschirmkabel an der Rückseite der Zentraleinheit wie in der Abbildung dargestellt ein und befestigen Sie die Rändelschrauben.



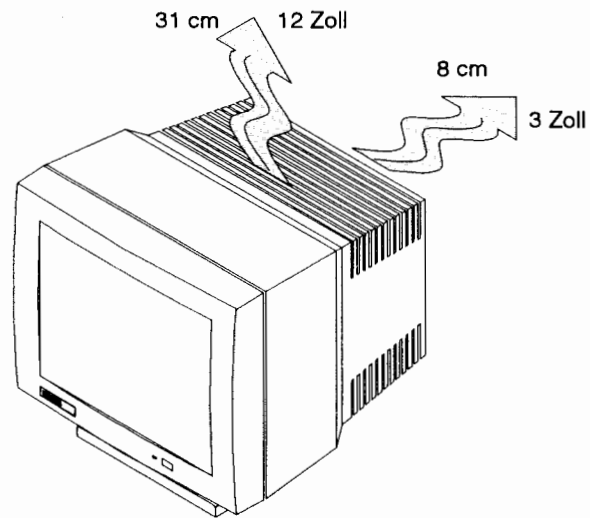
Bildschirm/Grafikeinheit

## 5 Anschließen von Bildschirm und Netzkabel an den Bildschirm

Schließen Sie Bildschirm- und Netzkabel wie in Schritt 2, **Feststellen des Bildschirmtyps**, beschrieben, an.

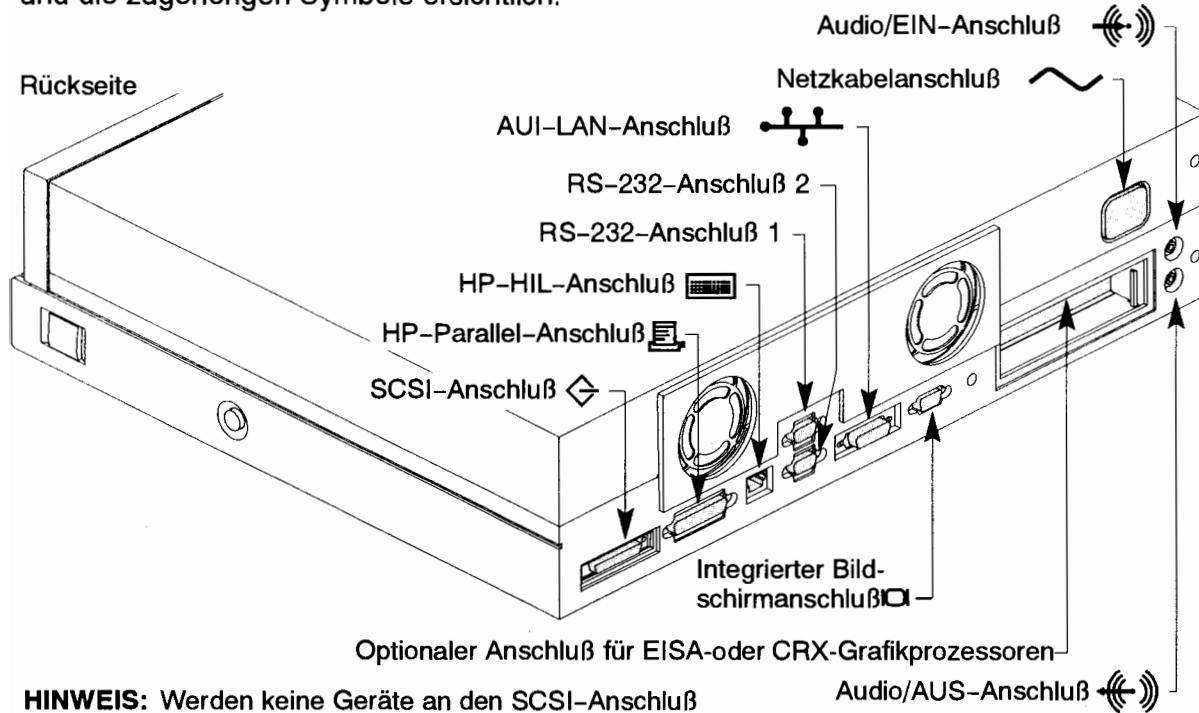
## 6 Aufstellen des Monitors

Stellen Sie keine anderen Gegenstände in direkter Nähe des Monitors auf (siehe Abbildung). Die Luftzufuhr darf nicht beeinträchtigt werden.

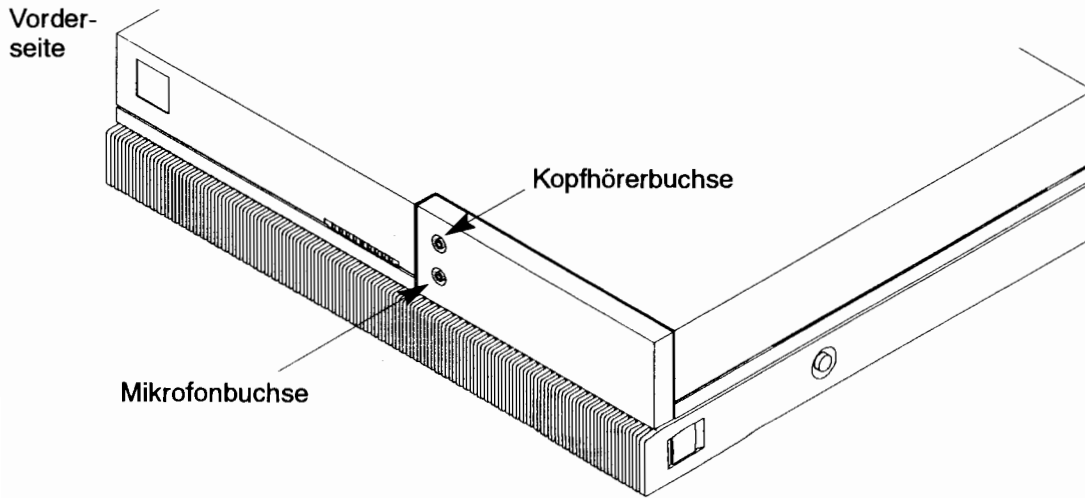


# Anschließen von Kabeln für HP APOLLO Peripheriegeräte

Wenn Sie ein Peripheriegerät anschließen wollen, gehen Sie dazu nach den mitgelieferten Anweisungen vor. Verriegeln Sie gegebenenfalls alle Stecker mit den entsprechenden Steckvorrichtungen. Aus folgender Abbildung sind die Anschlüsse an der Zentraleinheit und die zugehörigen Symbole ersichtlich.



**HINWEIS:** Werden keine Geräte an den SCSI-Anschluß angeschlossen, müssen Sie keine SCSI-Abschlußstecker installieren.

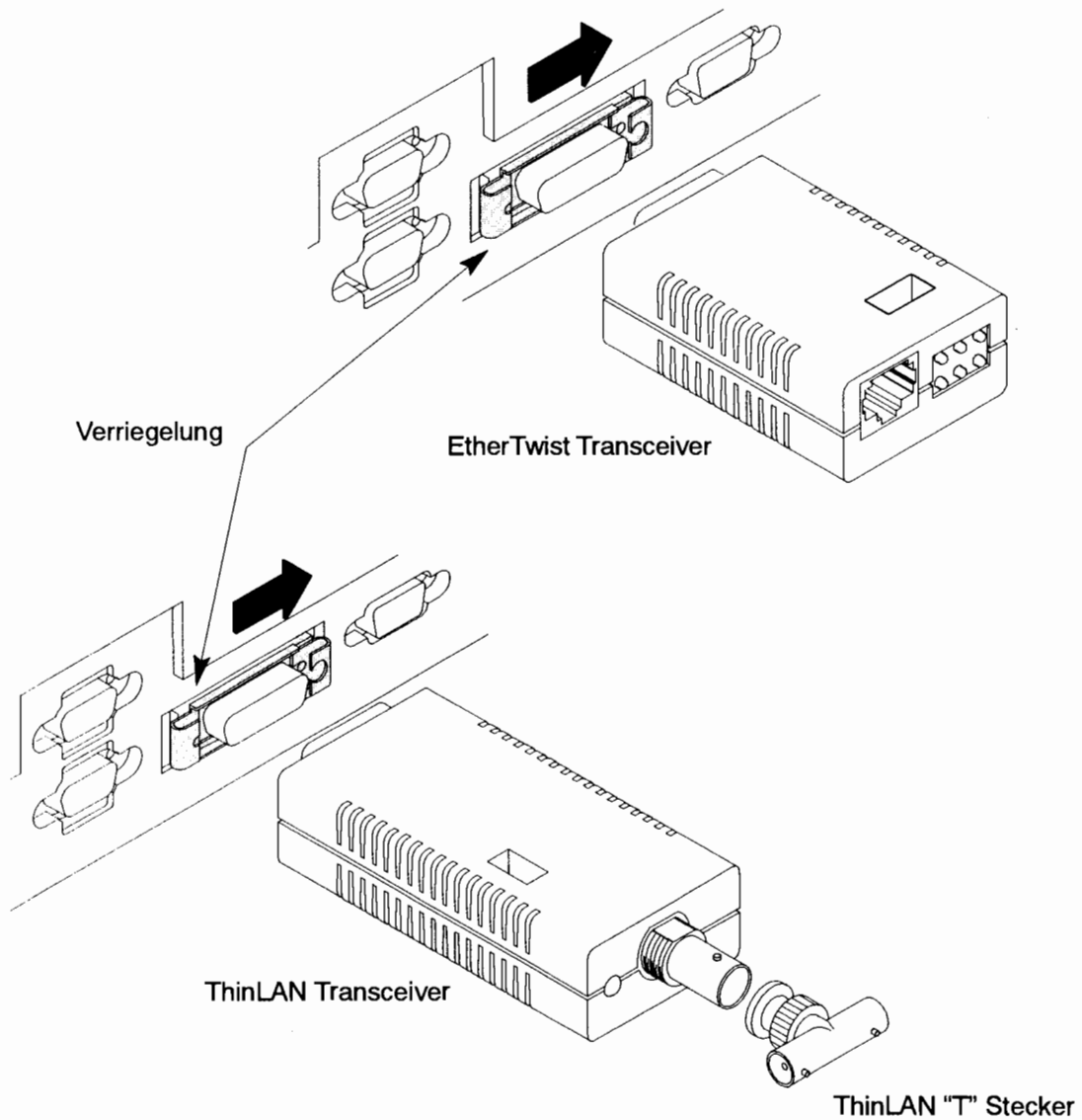


Kabel

## Anschließen von Netzkabeln

Das System verfügt über einen ThickNet-AUI-Anschluß für den Anschluß an Netzwerke. Zum Anschluß des Systems an ein Netzwerk müssen Sie einen externen Transceiver verwenden. Beim Anschließen des Transceivers und Transceiverkabels an den AUI-Anschluß die Schieberverriegelung wie in der Abbildung dargestellt schließen.

Informationen zum Ändern der Brückeneinstellungen können Sie der mit dem Transceiver gelieferten Dokumentation entnehmen.



# Starten des Systems

Wenn Ihr System mit vorinstallierter Software ausgestattet ist (das Betriebssystem HP-UX wird werkseitig auf der Festplatte installiert), wird es mit einem gelben Aufkleber auf dem Netzschalter der Zentraleinheit geliefert. Gehen Sie nach der folgenden Beschreibung vor, um eine Workstation mit vorinstallierter Software zu starten.

Startprozeduren für andere Konfigurationen werden im Abschnitt "Starting Up Your Workstation for the First Time" in Kapitel 2 oder Kapitel 3 des Handbuchs "Model 715 Owner's Guide" beschrieben. Dieses Handbuch wird zusammen mit dem System ausgeliefert. Kapitel 2 richtet sich an Benutzer von HP VUE, Kapitel 3 an Benutzer, die mit der HP-UX-Befehlszeile arbeiten.

## 1 Ladeinformationen, die vor dem Einschalten des Systems bekannt sein müssen

Wenn Sie Ihre Workstation zum ersten Mal einschalten, (Beschreibung siehe unter Schritt 3), erscheinen einige Eingabeaufforderungen für bestimmte Systemdaten. Kennen Sie diese Daten nicht, drücken Sie die Eingabetaste bei den einzelnen Eingabeaufforderungen. Dann werden von HP-UX Standardwerte verwendet. Vor dem Starten des Systems sollten folgende Daten bekannt sein (einige davon haben Sie bereits auf Seite 2 dieses Handbuchs eingetragen):

- Der *Systemname* Ihres Computers. (Wird gelegentlich auch als *Host-Name* bezeichnet.) Der Systemname darf aus maximal acht Zeichen bestehen. Fragen Sie den Systemverwalter nach dem Systemnamen.
- Wenn Sie Ihr System an ein lokales Netzwerk anschließen, müssen Sie auch die *Internet-Protocol-Adresse (IP-Adresse)* Ihres Rechners kennen. Dabei handelt es sich um einen vierteiligen Code, der Ihren Rechner unter allen Rechnern im Netzwerk (oder in anderen Netzwerken) eindeutig kennzeichnet. Fragen Sie den Systemverwalter nach dieser Adresse.
- Die entsprechende *Zeitzone* für Ihren Rechner.

Sind Ihnen diese Daten nicht bekannt, können Sie sie auch zu einem späteren Zeitpunkt durch Ausführen des Scripts `/etc/set_parms` in einem Terminal-Fenster eingeben. Nach entsprechender Eingabeaufforderung durch das System sollten Sie auch ein `root`-Kennwort eingeben. Wenn Sie sich entscheiden, auf ein `root`-Kennwort zu verzichten, können Sie das auch nachträglich tun. Siehe dazu Kapitel 2 oder Kapitel 3 des Handbuchs "Model 715 Owner's Guide" (wird zusammen mit dem System ausgeliefert).

## 2 Einschalten des Bildschirms

Stecken Sie den Netzstecker des Bildschirms in eine Netzsteckdose (Wechselstrom). Stellen Sie den Netzschalter auf EIN. Die Netzanzeige leuchtet auf, wenn der Bildschirm eingeschaltet wird. Angaben zur Position des Netzschalters oder der Netzanzeige befinden sich in Kapitel 1 des Handbuches "Model 715 Owner's Guide", das mit diesem System geliefert wird.

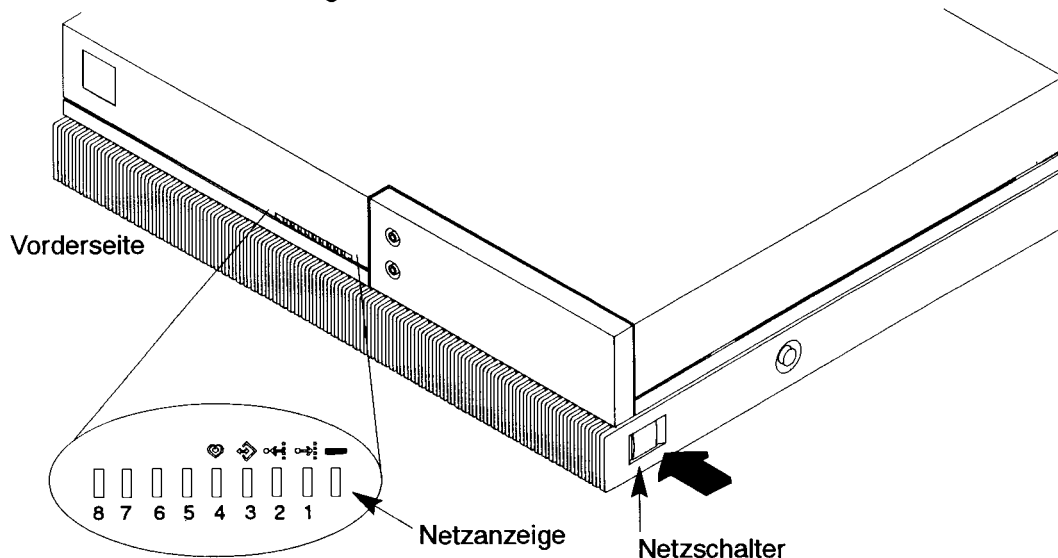
## 3 Einschalten der Zentraleinheit

Schließen Sie die Netzkabel aller an die Zentraleinheit angeschlossenen Peripheriegeräte an Netzsteckdosen (Wechselstrom) an und schalten Sie die Peripheriegeräte ein.

Stecken Sie den Netzstecker der Zentraleinheit in eine Netzsteckdose (Wechselstrom). Beachten Sie, daß der Netzschalter der Zentraleinheit nur eine Position hat und daher erst nach dem Herstellen der Netzstromverbindung festgestellt werden kann, ob er auf "Ein" oder auf "Aus" steht.

Wenn der Netzschalter auf "Ein" steht, wird dies durch die aufleuchtenden Netzanzeigen angezeigt. Wenn diese Anzeigen nicht aufleuchten, drücken Sie den Netzschalter, um die Zentraleinheit einzuschalten.

Beantworten Sie die Fragen nach dem Netzwerk, dem Systemnamen und der Zeitzone, wie dies in Abschnitt 1 beschrieben ist. Nach ungefähr 3 Minuten erscheinen Meldungen auf dem Bildschirm, die über die verschiedenen Hardware- und Software-Teilsysteme informieren, die während des Startvorgangs aktiviert werden. Keine dieser Meldungen muß beantwortet werden.



- 4 Entnehmen Sie weitere Informationen Kapitel 2 oder 3 des Handbuches "Model 715 Owner's Guide", das mit diesem System geliefert wird. Dort wird beschrieben, wie Sie sich an Ihrer Workstation anmelden und mit der Arbeit beginnen.



© Hewlett-Packard Co. 1992.

Printed in USA: Mai 1993

UNIX ist ein eingetragenes Warenzeichen von UNIX System Laboratories Inc.

#### HINWEIS

Inhaltliche Änderungen vorbehalten.

Die Gewährleistungsbedingungen für Ihr Hewlett-Packard-Produkt und die zugehörigen Ersatzteile sind bei Ihrer zuständigen Geschäftsstelle erhältlich.

Hewlett-Packard übernimmt keine Gewährleistung für die einwandfreie Funktion seiner Software, wenn die Software nicht auf Hardware von Hewlett Packard ausgeführt wird.

Alle Rechte an dieser Dokumentation, insbesondere das Recht der Vervielfältigung und Verbreitung sowie der Übersetzung bleiben vorbehalten. Kein Teil der Dokumentation darf in irgendeiner Form (durch Fotokopie, Mikrofilm, oder ein anderes Verfahren) ohne vorherige schriftliche Zustimmung der Hewlett-Packard GmbH reproduziert oder unter Verwendung elektronischer Systeme vervielfältigt oder verarbeitet werden.

10 9 8 7 6 5 4 3 2 1

#### **Verband Deutscher Elektrotechniker**

##### **Bescheinigung des Herstellers/Importeurs**

Hiermit wird bescheinigt, daß dieser HP Apollo Rechner in Übereinstimmung mit der VFG 1046/84 funktentstört ist.

Der Deutschen Bundespost wurde das Inverkehrbringen dieses Gerätes angezeigt und die Berechtigung zur Überprüfung der Serie auf Einhaltung der Bestimmungen eingeräumt.

Hewlett-Packard GmbH

##### **Einhalten der Emissionsregelungen**

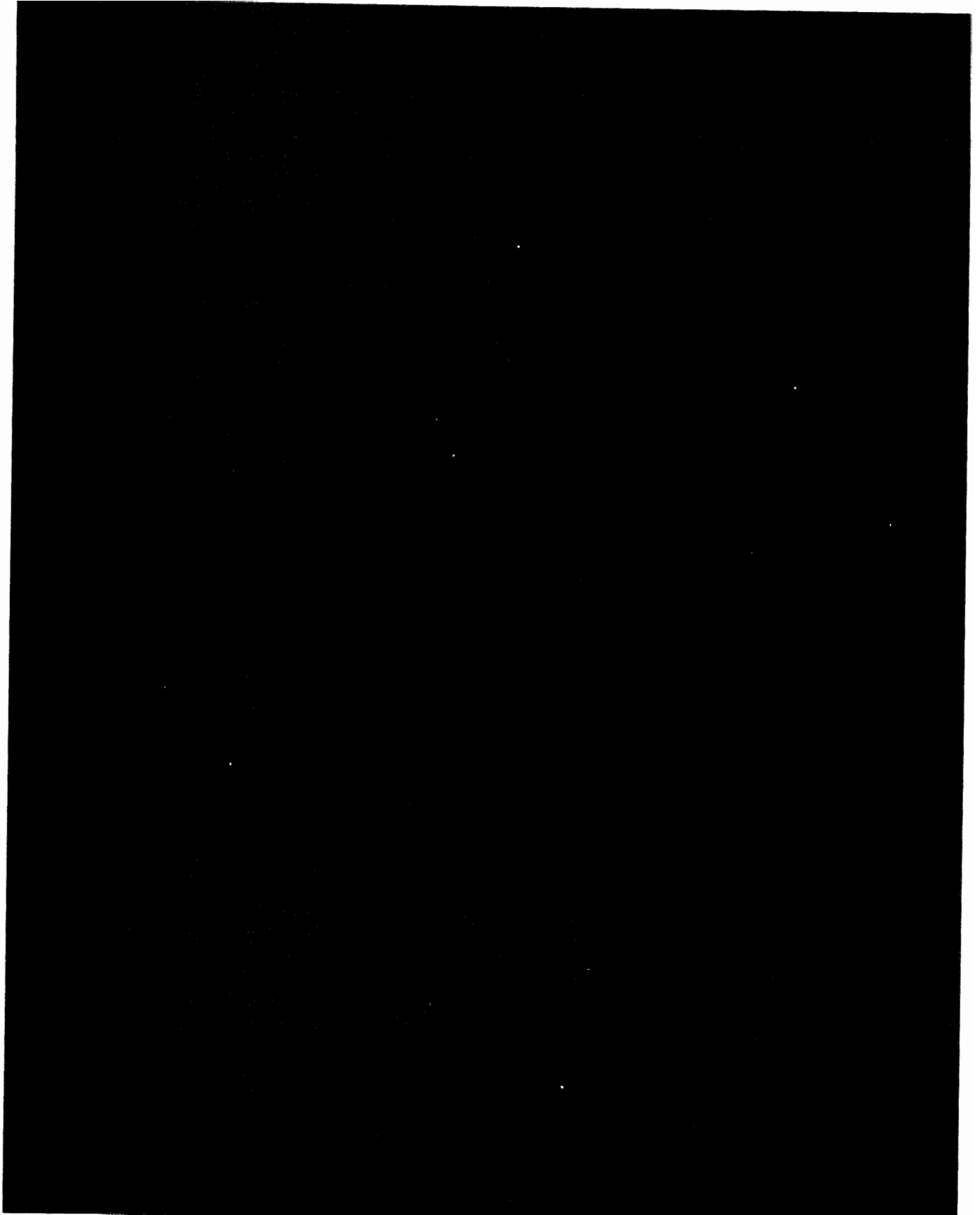
Zum Einhalten der Emissionsregelungen ist zu prüfen, ob alle Kabelverbindungen hergestellt sind.

##### **Geräuschmessung**

LpA < 70 dB  
am Arbeitsplatz  
normaler Betrieb  
nach DIN 45635 T.19

##### **Einhalten der Emissionsregelungen**

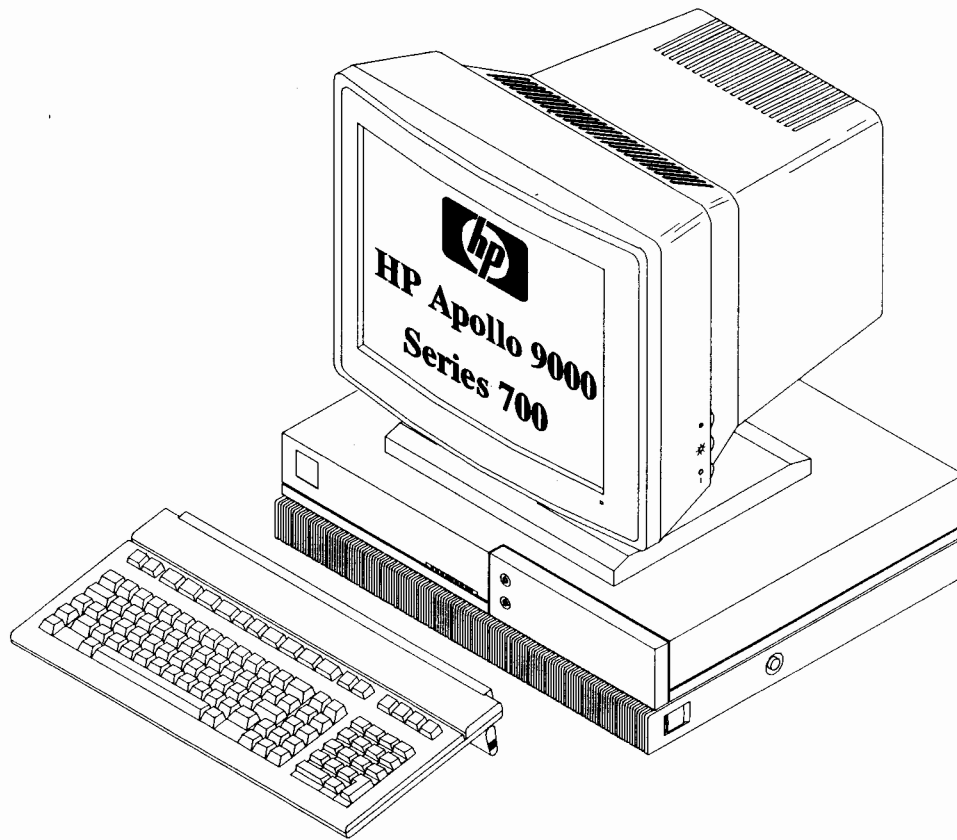
Bei in Apollo-Systemen installierten E/A-Einheiten anderer Hersteller sind die Erfordernisse der o.a. Emissionsregelungen zu beachten. Ist eine solche Einheit installiert, kann Hewlett-Packard keine Gewährleistung für die einwandfreie Funktion übernehmen.



# Guide d'installation



## Modèle 715



Workstation Systems Group  
Hewlett-Packard Company  
300 Apollo Drive  
Chelmsford, MA 01824

Ce guide d'installation explique comment assembler les composants matériels des stations de travail HP Apollo 9000 série 700 modèle 715.

Il explique également comment démarrer les stations de travail.

Si vous procédez vous-même à l'installation, nous vous recommandons de suivre pas à pas les sections suivantes.

### **Votre station de travail sera-t-elle utilisée sur un réseau ?**

Si la réponse est oui, commencez avec cette section. Dans le cas contraire, reportez-vous à la page suivante.

#### **Préliminaire à l'installation en réseau**

Indiquez à votre administrateur système le numéro d'identification ID LANIC que vous trouverez sur l'étiquette du carton d'expédition de votre système, afin qu'il configure votre nouvelle station de travail sur le serveur de réseau :

- Numéro ID LANIC (par exemple, 0800091595EE) \_\_\_\_\_

Si votre station de travail n'a pas d'unité de disque dur, vous devez vous connecter au serveur de réseau pour amorcer HP-UX.

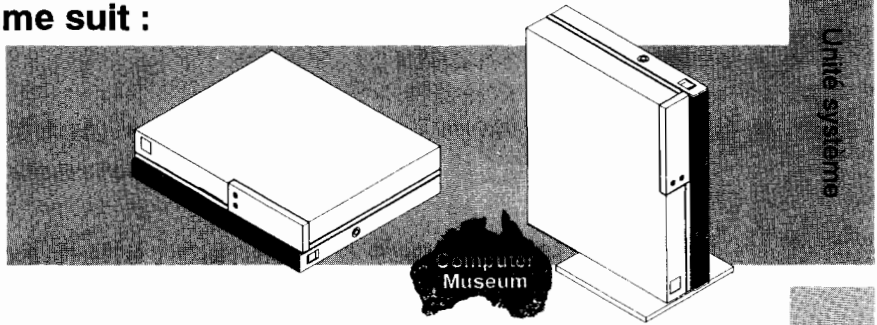
#### **Demandez à votre administrateur les éléments suivants :**

- Nom de système (ou hostname) : \_\_\_\_\_
- Numéro IP (Internet Protocol) : \_\_\_\_\_
- Des câbles LAN pour relier votre système au serveur ou au dernier ordinateur sur le réseau.
- Pour vous connecter au LAN, demandez un transceiver AUI externe.

## Ce guide est organisé comme suit :

- **Unité système**

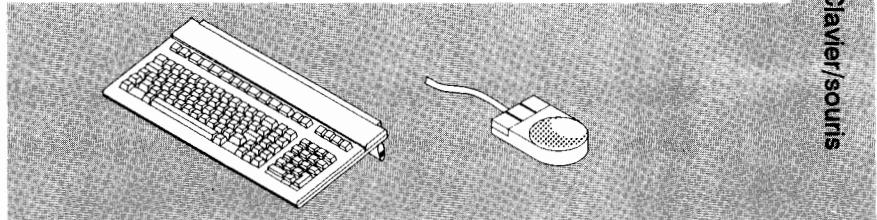
Cette section explique comment installer l'unité système en position horizontale ou verticale.



Unité système

- **Clavier/souris**

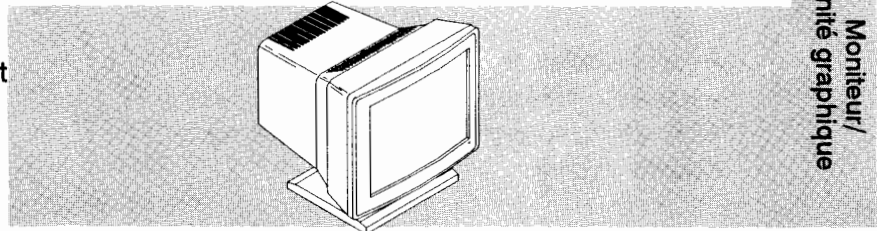
Cette section explique comment connecter la souris au clavier et le clavier à l'unité système.



Clavier/souris

- **Moniteur**

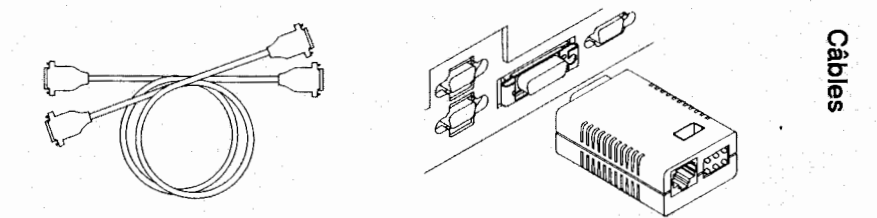
Cette section explique comment connecter le moniteur et le processeur graphique (pour les systèmes configurés avec l'option graphique CRX-48Z) à l'unité système.



Moniteur/  
unité graphique

- **Câbles et transceivers**

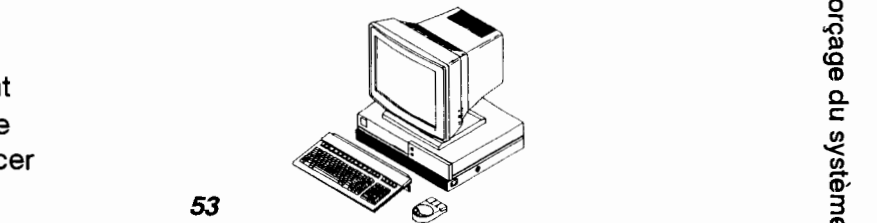
Cette section explique comment connecter les câbles d'E/S et de réseau.



Câbles

- **Amorçage du système**

Cette section explique comment mettre le moniteur et le système sous tension et comment amorcer le système d'exploitation.



Amorçage du système

## Déballez l'unité système et vérifiez que le carton contient bien les éléments suivants :

- Unité système
- Câble vidéo (à part)
- Documentation système
- Support
- Câble de processeur graphique (à part)

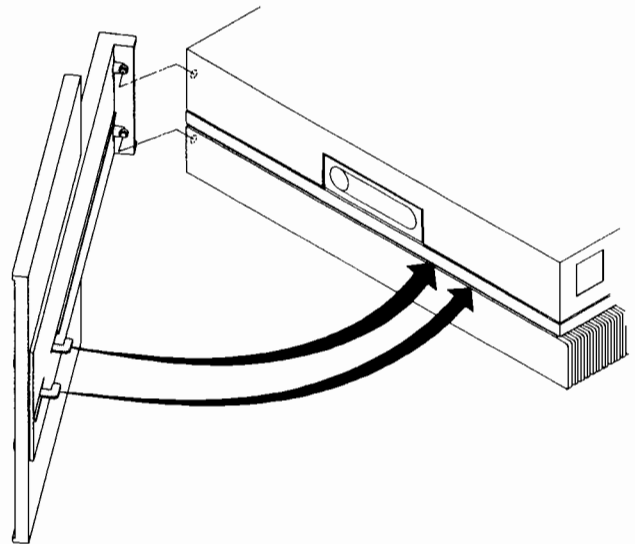
## Installez les options d'extension internes éventuelles

Si vous avez des options d'extension internes, telles que de la mémoire supplémentaire ou des périphériques de stockage, installez-les conformément aux instructions fournies avec ces options.

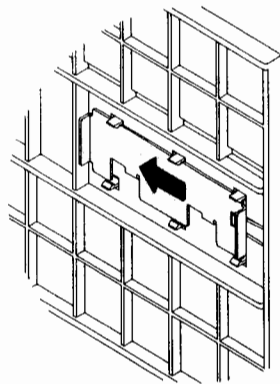
## Installez l'unité système en position horizontale ou verticale

Vous pouvez installer votre unité système en position horizontale ou verticale.

Pour installer le système en position verticale, insérez les ergots et les crochets du support dans l'unité système, comme illustré.



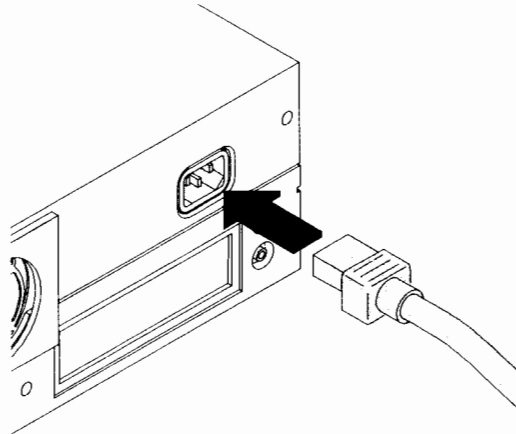
Dessous  
du socle



Faites glisser le mécanisme de blocage sous le support pour le verrouiller, comme illustré. Placez l'unité en position verticale sur son support.

## Connectez le cordon secteur à l'unité système

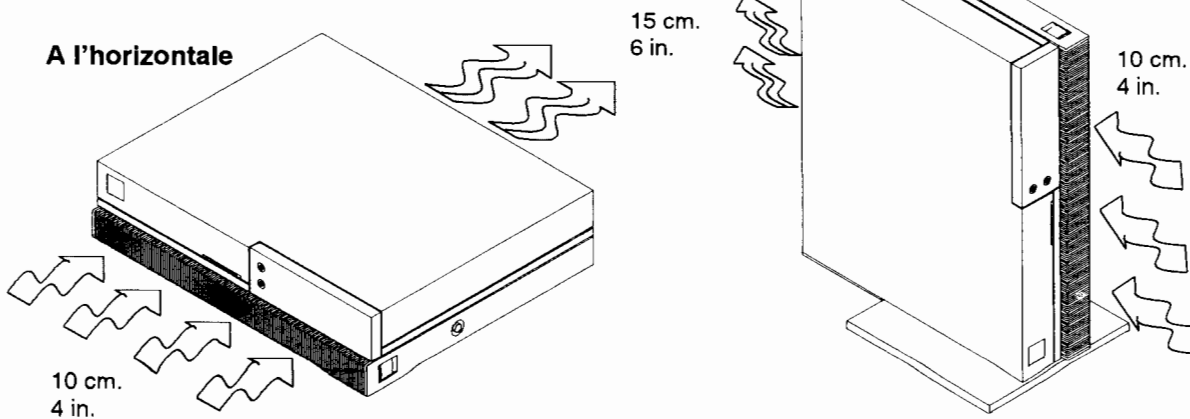
Retirez le cordon secteur de l'unité système de la boîte d'accessoires et connectez ce cordon comme illustré.



## Positionnez l'unité système

**Note** *Cette étape est TRES IMPORTANTE.*

Laissez un espace suffisant autour de l'unité système, comme illustré, pour permettre une bonne circulation d'air.



## Déballez le clavier et les boîtes d'accessoires et vérifiez la présence des éléments :

- Clavier avec cordon
- Souris avec cordon (bille non installée)
- Cordon secteur du moniteur (à part)
- Cordon secteur de l'unité système (déjà utilisé)
- Cordon secteur du processeur graphique (à part)

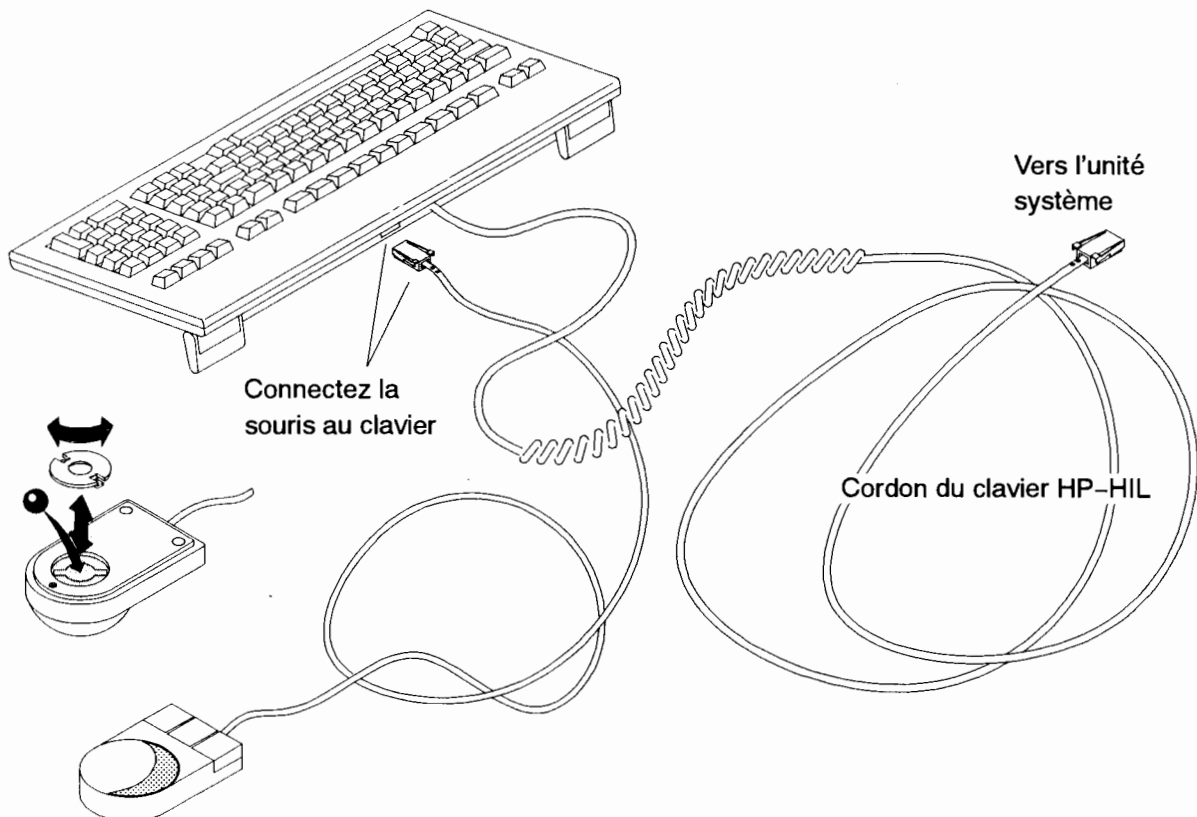
Ces cordons sont identiques.

## Connectez la souris au clavier

Installez la bille dans la souris, comme illustré.

Connectez l'extrémité du cordon de la souris au clavier, comme illustré.

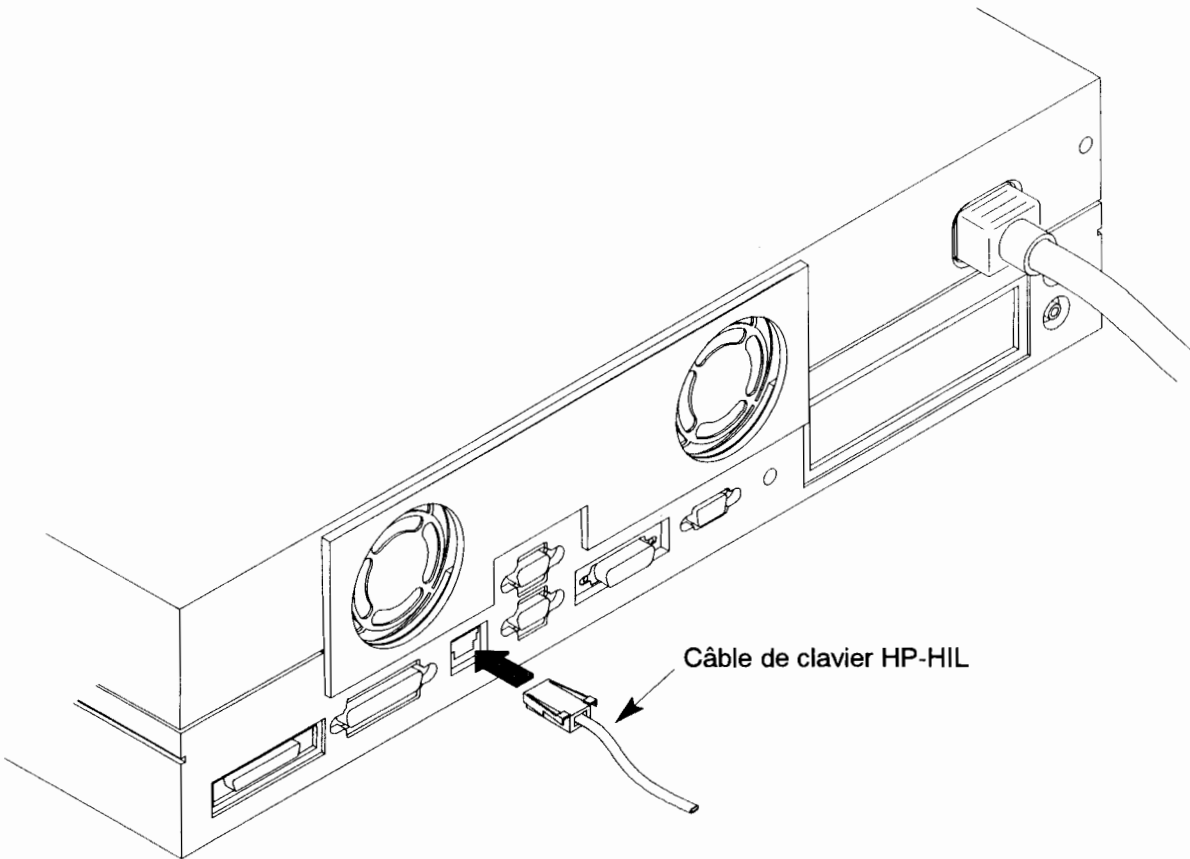
Si vous avez d'autres périphériques HP-HIL, installez-les, en vous référant aux instructions d'installation fournies avec ces périphériques optionnels.





## Connectez le clavier à l'unité système

Branchez le câble du clavier HP-HIL au dos de l'unité système, comme illustré.



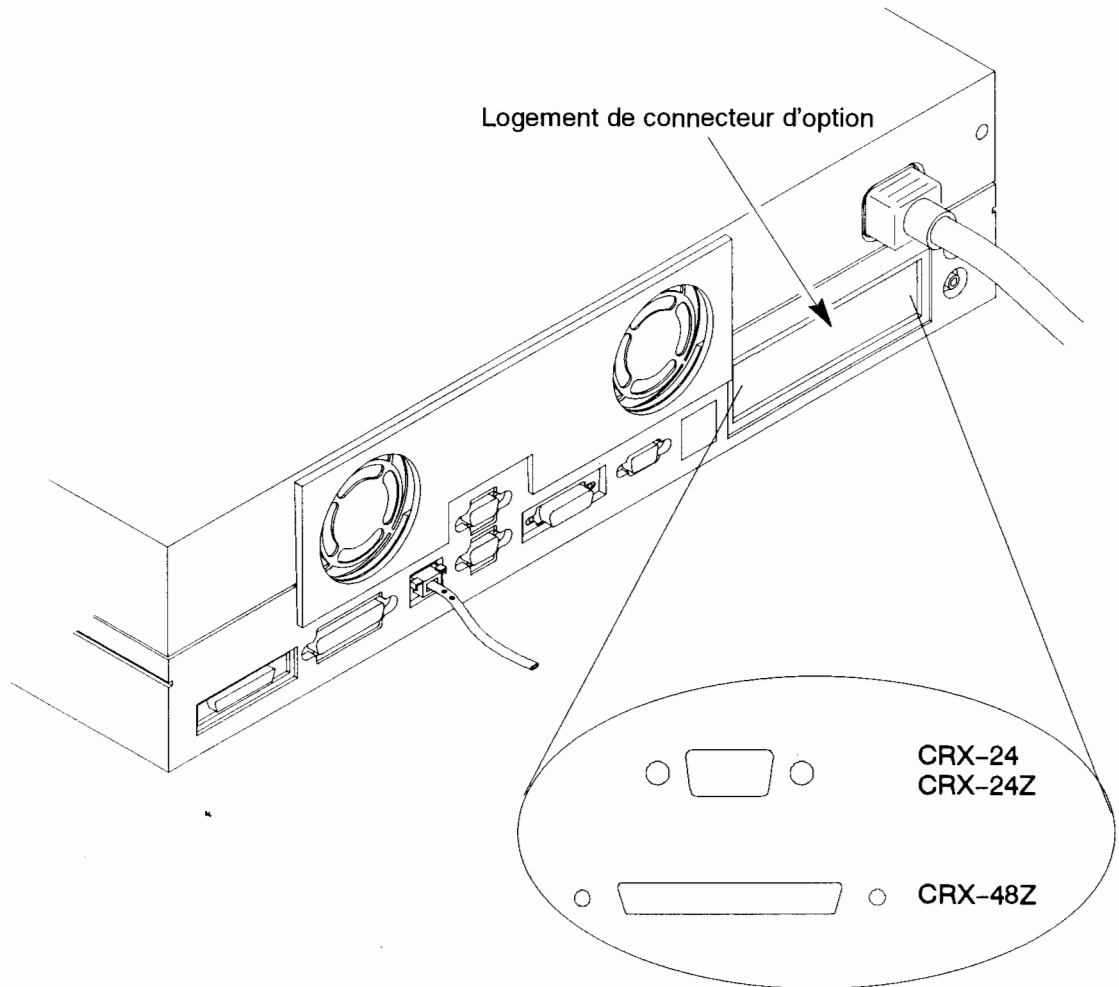
Clavier/souris

## Vérifiez si votre système a été équipé d'une option graphique

Si votre station de travail est configurée en usine avec une option graphique, un connecteur doit être visible dans le logement de connecteur d'option.

Utilisez la figure ci-dessous pour déterminer si votre station de travail a été configurée avec une option graphique et, le cas échéant, le type d'option installée.

Si votre station de travail n'a pas été configurée avec une option graphique, reportez-vous à la section **Connectez le moniteur**.

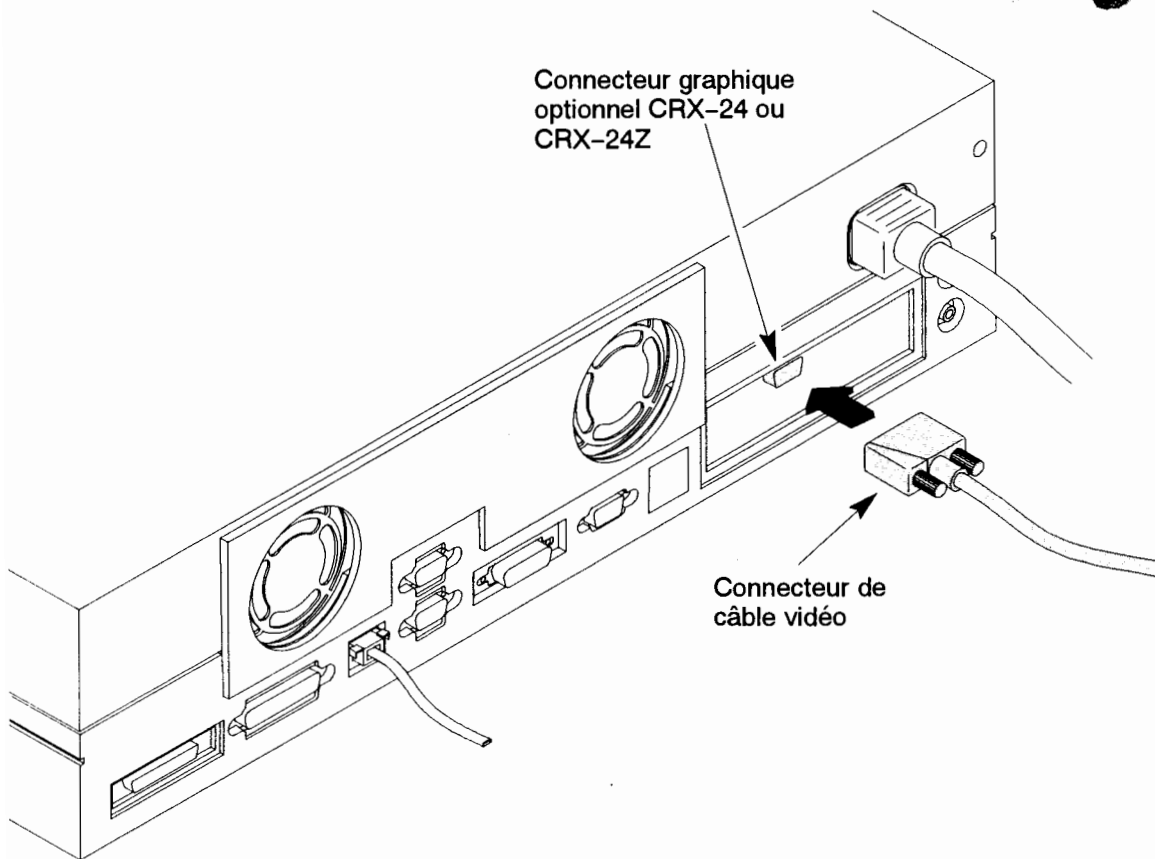


## Connectez le câble vidéo à l'unité système

Si votre station de travail a été équipée de l'option graphique CRX-48Z, reportez-vous à la section **Installez le processeur graphique CRX-48Z**.

Assurez-vous que le connecteur du câble vidéo est correctement aligné avec le connecteur graphique CRX à l'arrière de l'unité système. Branchez le câble vidéo dans le connecteur d'option graphique comme illustré, et serrez les vis du connecteur.

Reportez-vous à la section **Connectez le moniteur**.

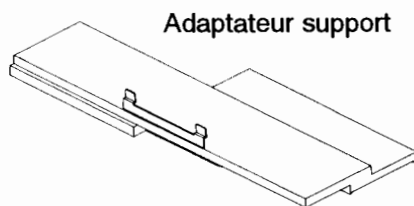


## Installez le processeur graphique CRX-48Z

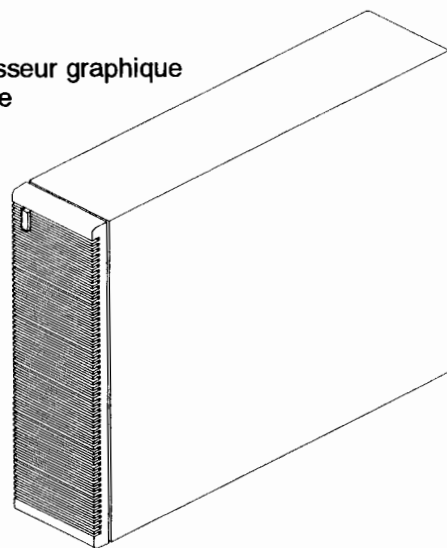
### 1 Déballez le processeur graphique CRX-48Z

Le carton doit contenir les éléments suivants :

- Unité de processeur graphique
- Adaptateur support

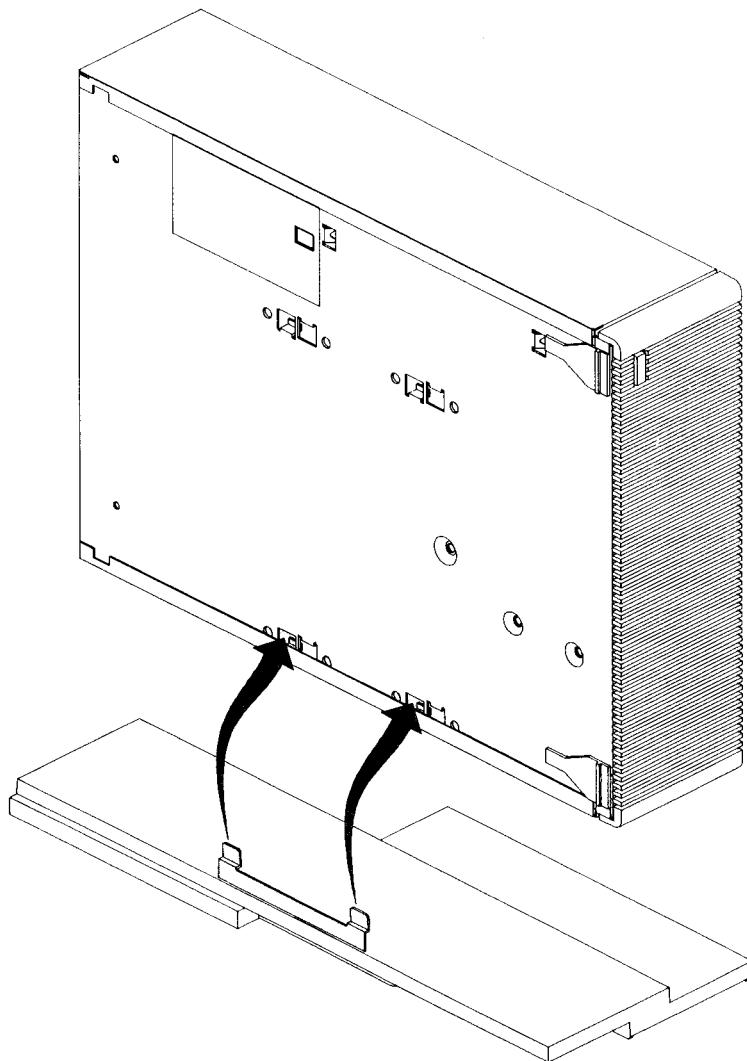


Processeur graphique  
externe



## 2 Fixez l'adaptateur support du processeur graphique

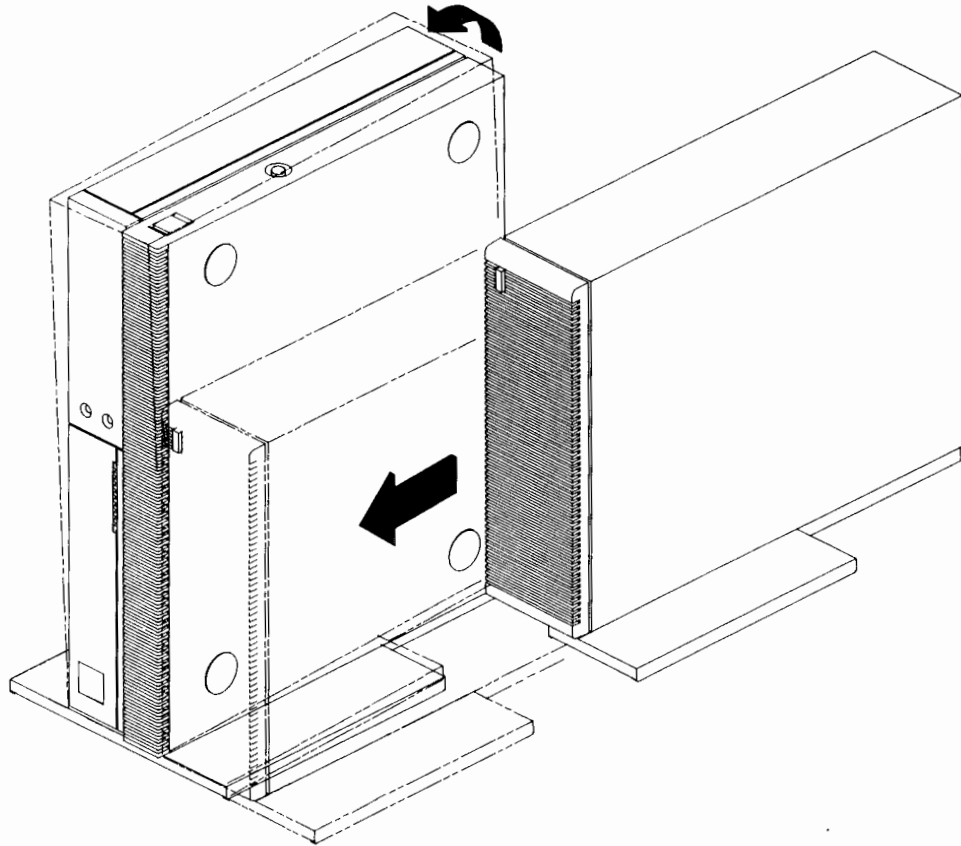
Si vous installez votre station de travail en position verticale avec son support, fixez l'adaptateur support sur le processeur graphique CRX-48Z comme illustré.



Moniteur/  
unité graphique

### 3 Fixez le processeur graphique à votre station de travail

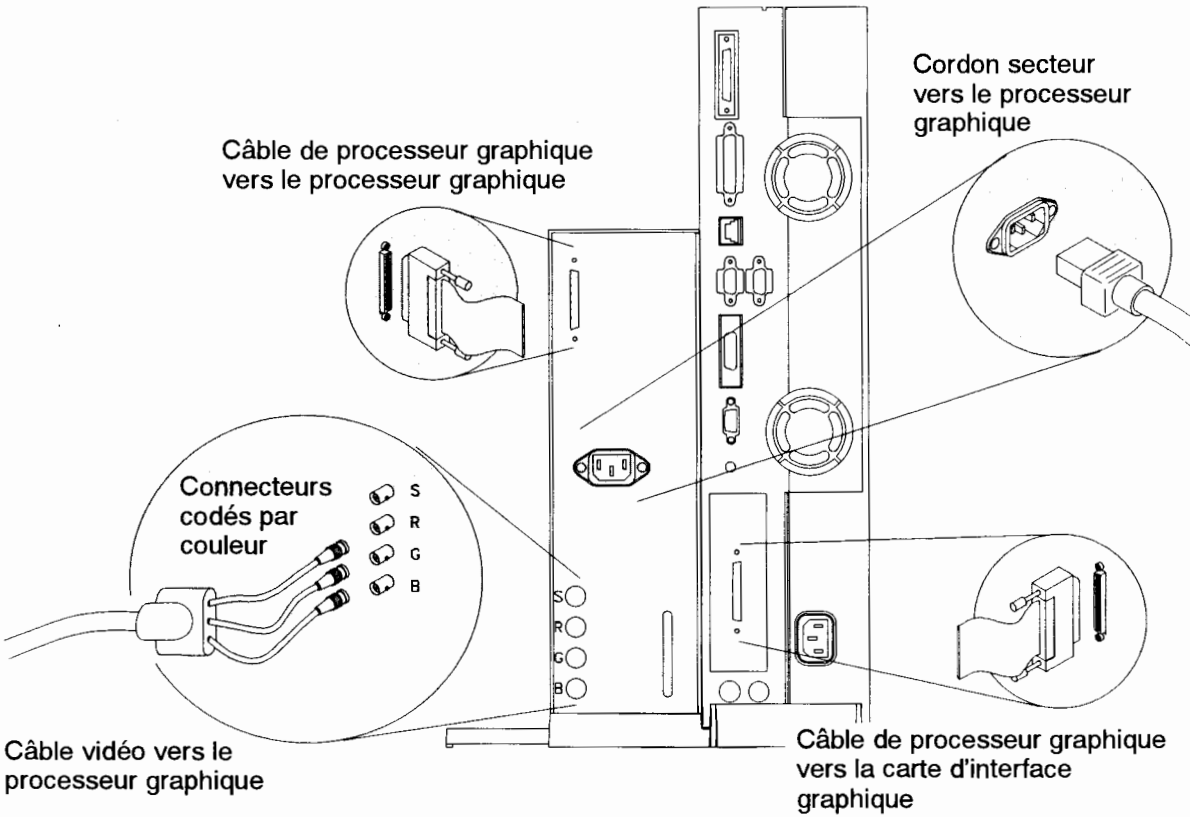
Si vous installez votre station de travail en position verticale avec son support, fixez le processeur graphique et son adaptateur support au support de la station de travail, comme illustré.



Soulevez légèrement l'arrière du système et faites glisser l'unité graphique vers l'avant de la station de travail de manière que les deux supports soient totalement imbriqués. Assurez-vous que la face avant du processeur graphique soit aligné avec la face avant du système.

#### 4 Connectez le processeur graphique CRX-48Z

Connectez le câble du processeur graphique, le câble vidéo et le cordon secteur comme illustré.



## Connectez le moniteur

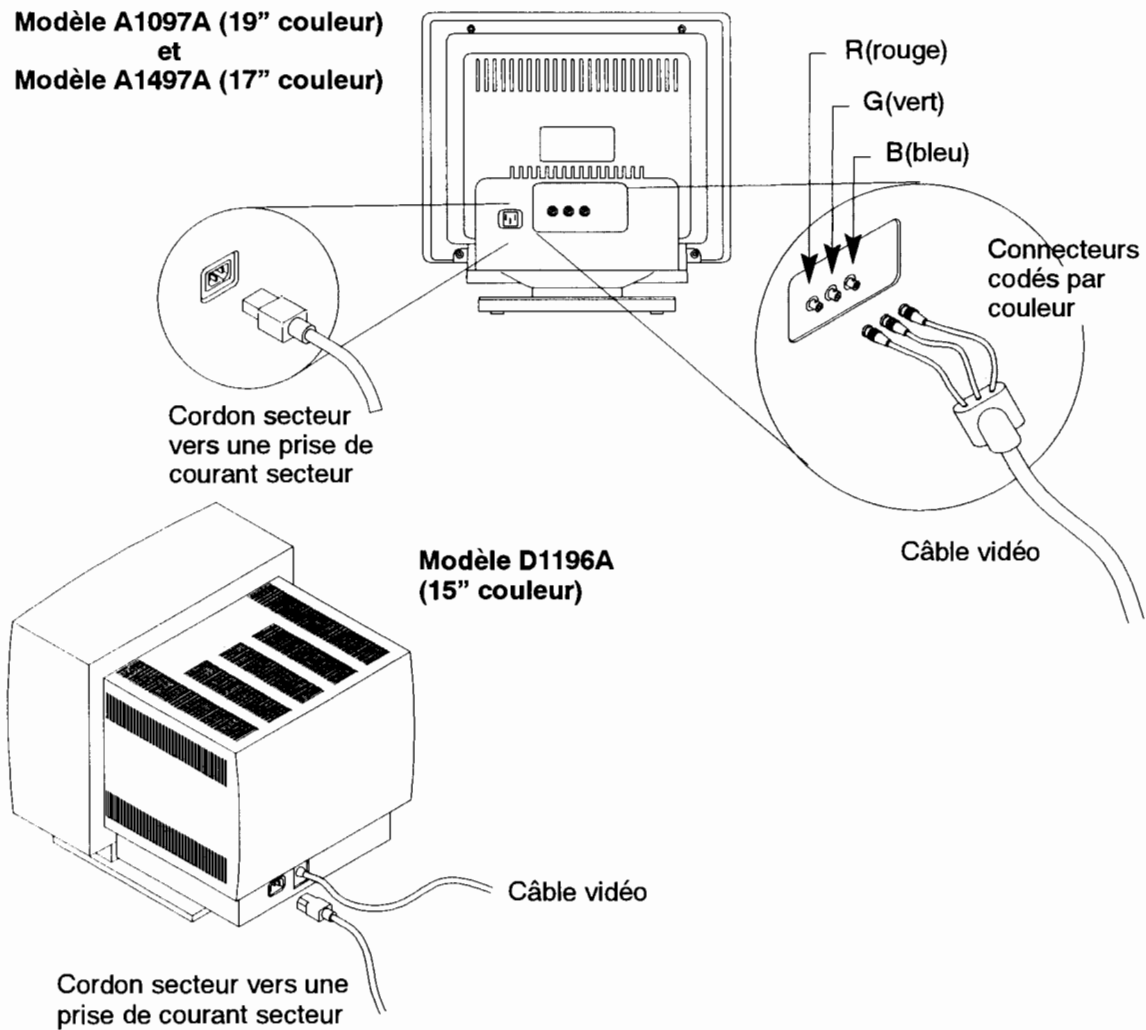
### 1 Sortez le moniteur de son carton

Ce carton ne contient que le moniteur.

### 2 Identifiez votre moniteur

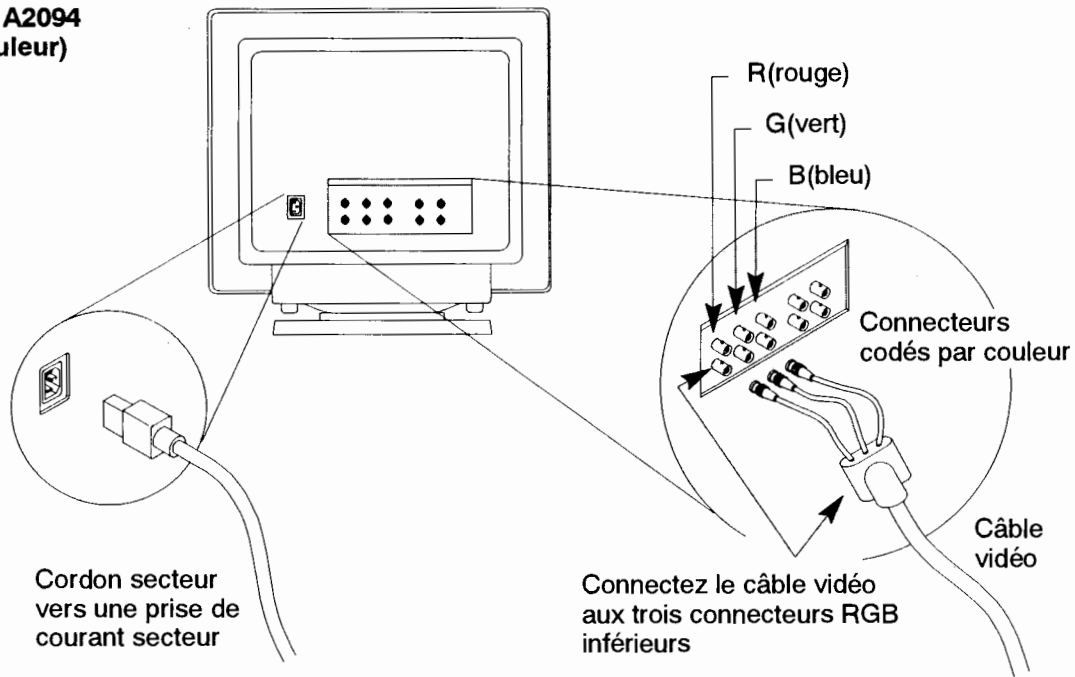
Utilisez les illustrations suivantes pour identifier votre moniteur.

**REMARQUE :** L'option graphique CRX ne supporte que les moniteurs couleur 19".

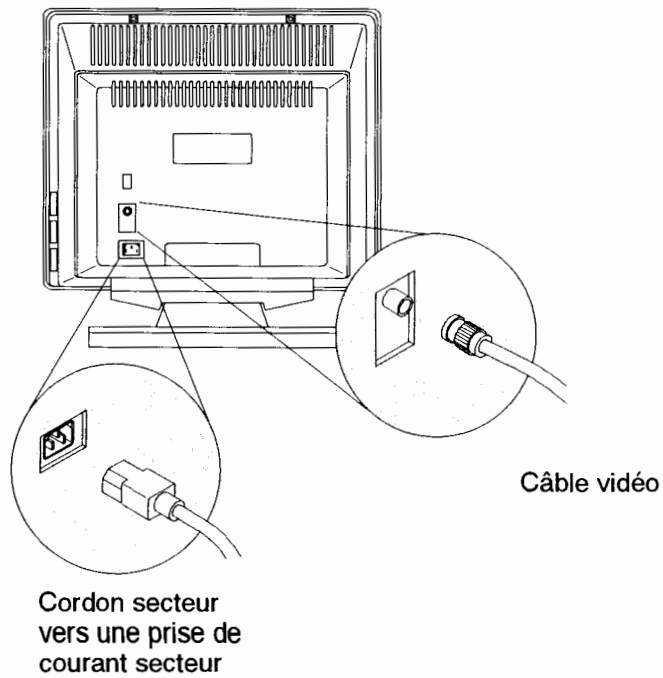




**Modèle A2094  
(19" couleur)**



**Modèle A2088A  
(19" Niveau de gris)**

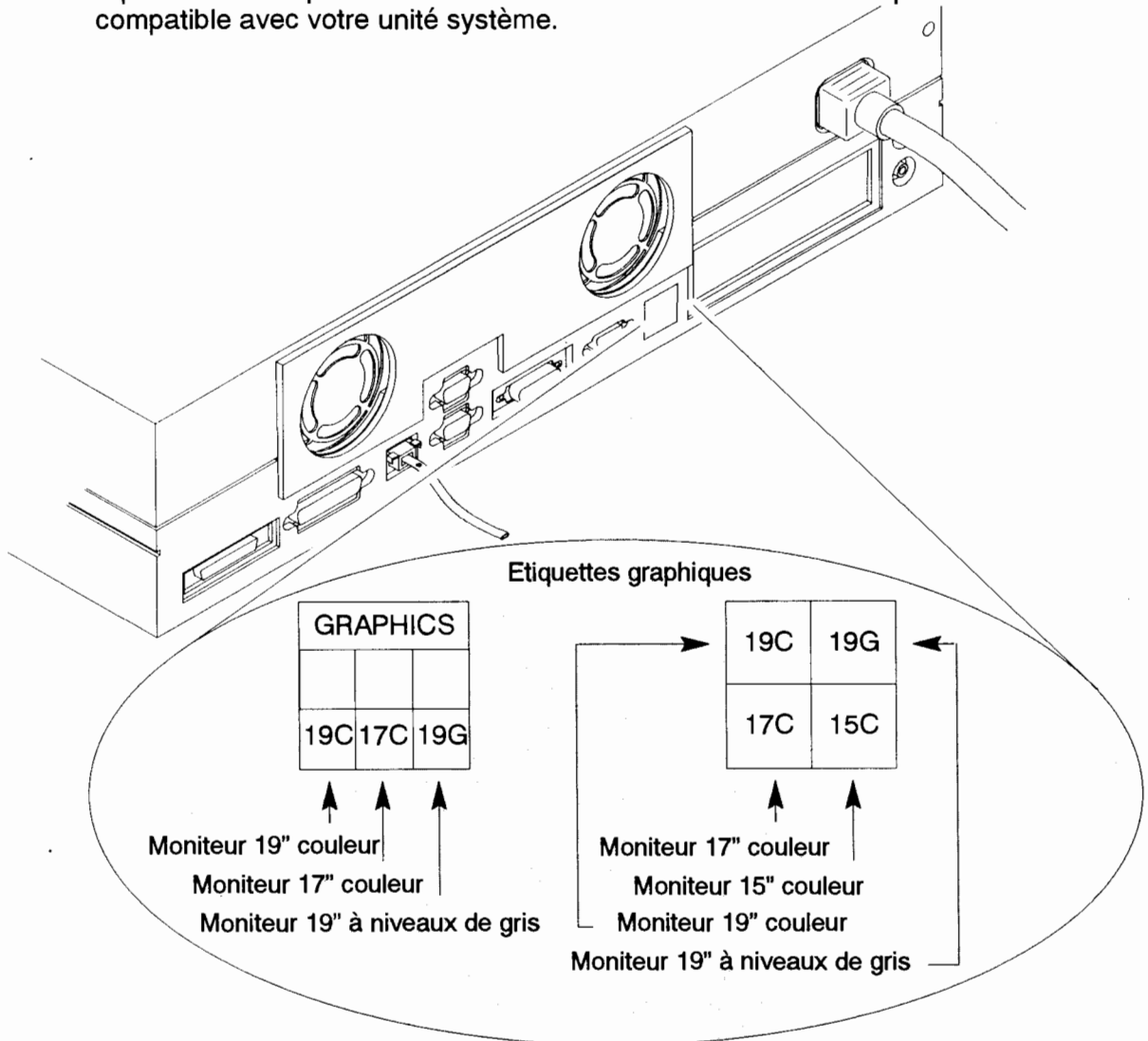


Moniteur/  
unité graphique

### 3 Vérifiez si votre moniteur est bien adapté à votre station de travail

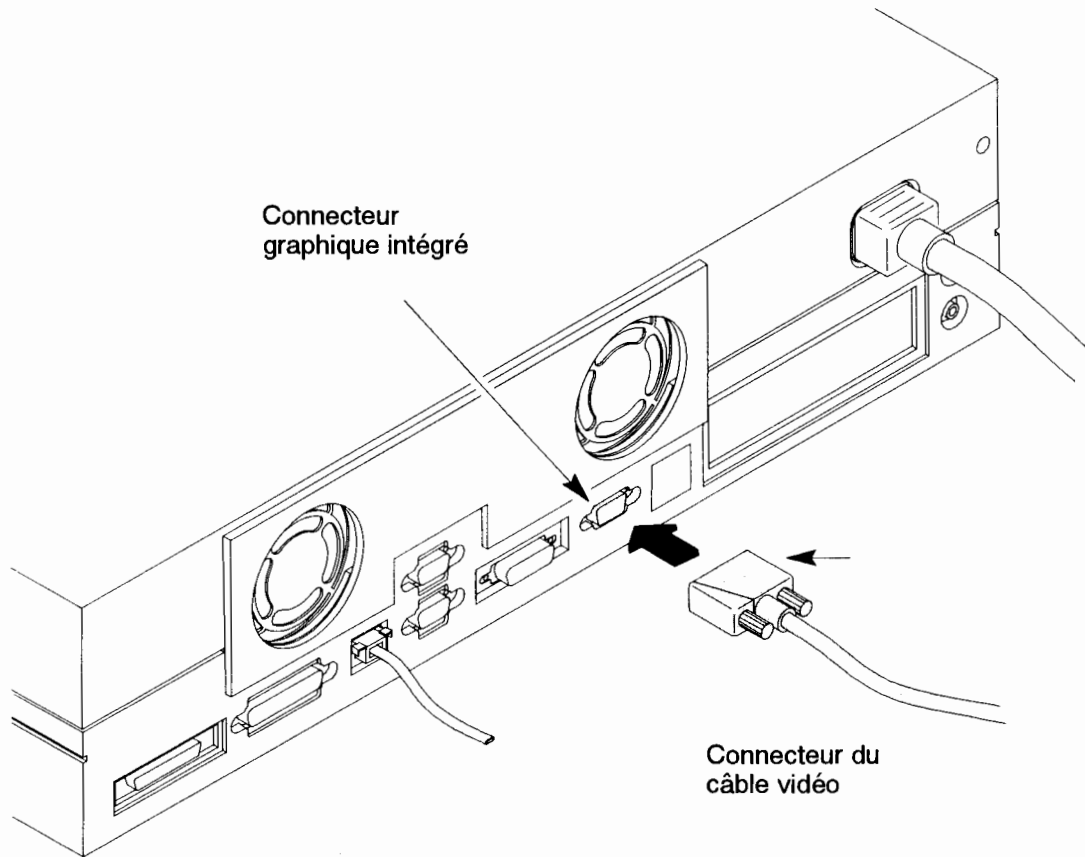
Si votre station de travail a été configurée avec l'option graphique CRX, votre moniteur doit être un moniteur 19" couleur. Reportez-vous au point 5, **Connectez le câble vidéo et le cordon secteur au moniteur.**

Si votre unité système utilise les circuits graphiques intégrés, elle est préconfigurée pour utiliser un type de moniteur particulier, identifié à l'arrière de l'unité système par une des deux étiquettes montrées ci-dessous. Ces étiquettes transparentes comportent plusieurs cases, chacune d'entre elles correspondant à un des types de moniteur. Avant de connecter un moniteur au connecteur graphique intégré, repérez la case qui couvre le trou d'accès afin de vous assurer que le moniteur est compatible avec votre unité système.



#### 4 Connectez le câble vidéo à l'unité système

Assurez-vous que le connecteur du câble vidéo est correctement aligné avec le connecteur vidéo à l'arrière de l'unité système. Branchez le câble vidéo au dos de l'unité système et serrez les vis du connecteur.



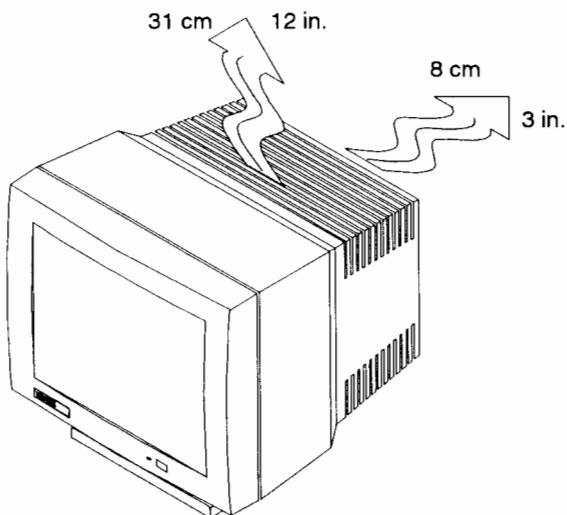
Monteur/  
unité graphique

**5 Connectez le câble vidéo et le cordon secteur au moniteur**

Connectez le câble vidéo et le cordon secteur du moniteur, ainsi qu'illustré dans le point 2, **Identifiez votre moniteur.**

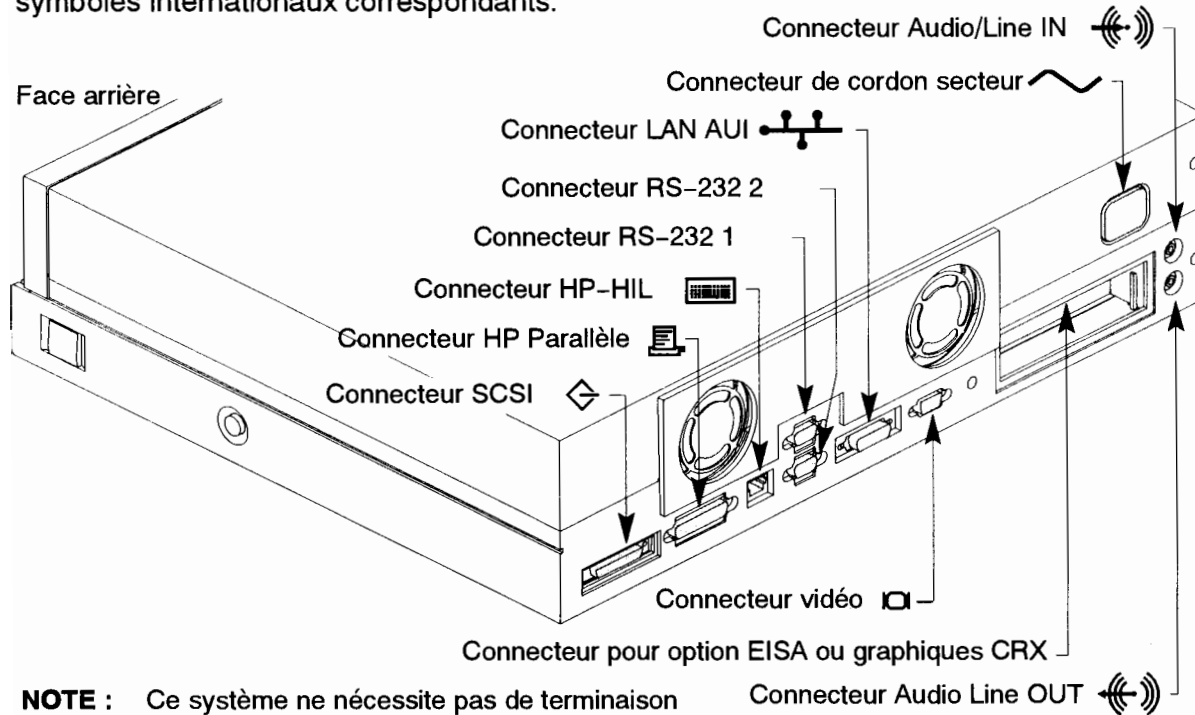
**6 Positionnez votre moniteur**

Placez votre moniteur de manière à permettre une bonne circulation de l'air, comme illustré.

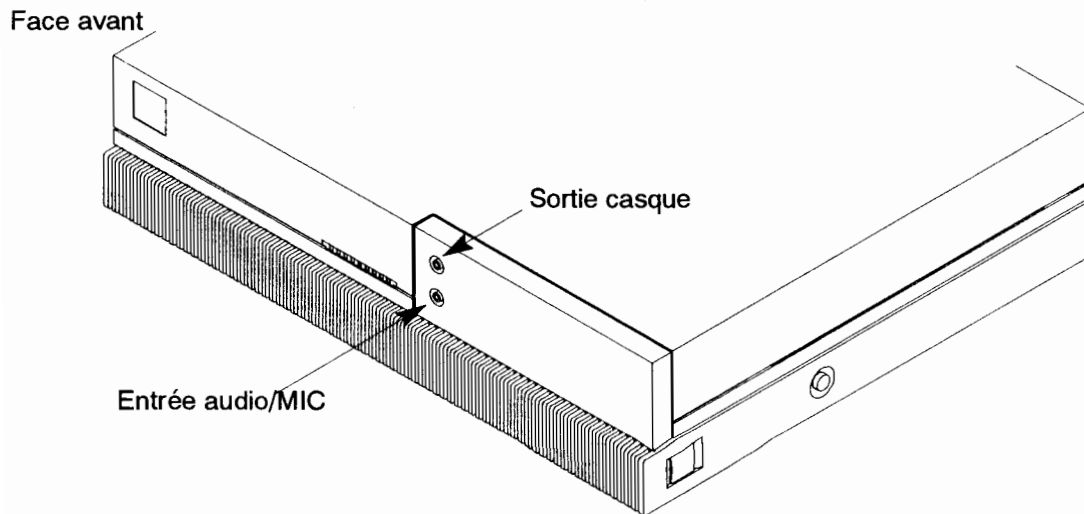


## Connectez les câbles des périphériques HP Apollo

Si vous avez un périphérique, installez-le conformément aux instructions fournies avec le produit. Verrouillez tous les mécanismes de verrouillage éventuels sur les connecteurs. Cette illustration montre l'emplacement des connecteurs sur l'unité système, avec les symboles internationaux correspondants.



**NOTE :** Ce système ne nécessite pas de terminaison sur le connecteur SCSI lorsqu'aucun périphérique SCSI n'est connecté.

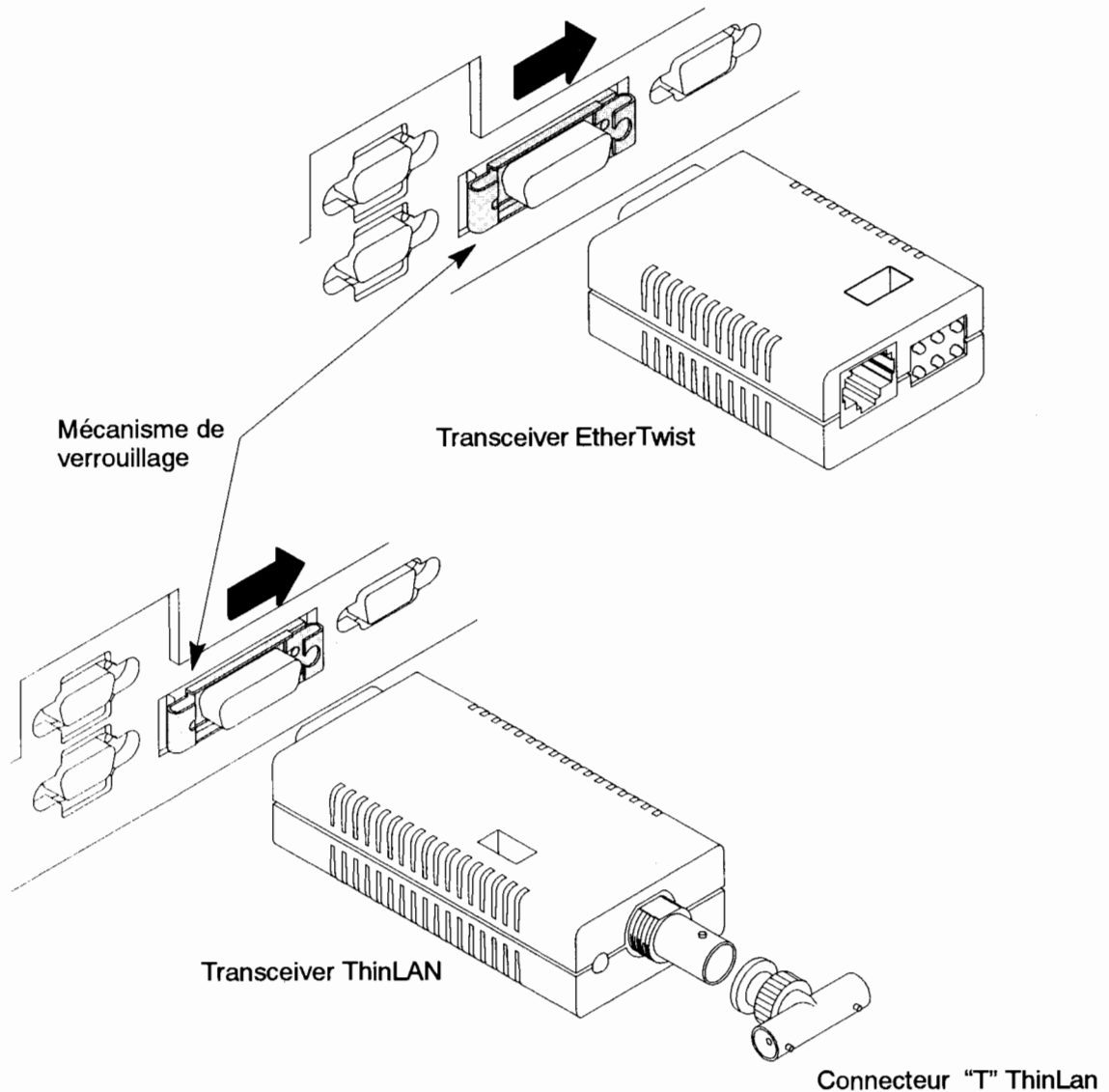


Cables

## Connectez les câbles de réseau

L'unité système dispose d'un connecteur AUI ThickNet pour les connexions réseau. Vous devez utiliser un transceiver externe pour connecter votre système sur un réseau. L'illustration suivante montre deux types de transceivers externes. Lorsque vous connectez le transceiver ou câble de transceiver au connecteur AUI, faites glisser le mécanisme de verrouillage, comme illustré.

Si votre transceiver comporte des cavaliers ou des micro-interrupteurs de configuration, référez-vous à la documentation fournie avec le transceiver pour configurer celui-ci.



## Amorcez le système

Si votre système est fourni avec logiciel préinstallé (le système d'exploitation est chargé sur le disque dur en usine), il est livré avec un auto-collant jaune sur l'interrupteur marche/arrêt de l'unité système. Utilisez les procédures suivantes pour démarrer une station de travail avec logiciel préchargé.

Pour les procédures de démarrage d'autres configurations, reportez-vous à la section "Starting Up Your Workstation for the First Time," dans le chapitre 2 (pour les utilisateurs de HP VUE) ou dans le chapitre 3 (pour les utilisateurs des commandes HP-UX) du manuel *Model 715 Owner's Guide* livré avec votre système.

### 1 Répondez aux demandes d'informations à la mise sous tension

Lorsque vous mettez en marche votre station de travail pour la première fois (comme décrit dans le point 3), le système vous demande certaines informations. Si vous ne connaissez pas la réponse à une question, vous pouvez appuyer sur **<Retour>**, et HP-UX utilisera les valeurs par défaut. Avant de commencer, vous devez connaître les informations suivantes (vous avez déjà dû fournir certaines d'entre elles à la page 2 de ce document) :

- Le *nom de système* de votre ordinateur (parfois appelé le *nom de l'hôte*.) Le nom de système ne peut dépasser huit caractères. Demandez ce nom à votre administrateur système.
- Si vous connectez votre système à un réseau local, vous devez également connaître l'*adresse IP (Protocole Internet)* de votre ordinateur. C'est un code en quatre parties qui identifie de manière unique votre ordinateur parmi tous ceux installés sur votre réseau (ou tout autre réseau). Demandez cette adresse à votre administrateur système.
- La *zone temporelle* où se situe votre ordinateur.

Si vous n'avez pas les informations lorsque le système les demande, vous pourrez les fournir ultérieurement en exécutant le script `/etc/set_parms` à partir d'une fenêtre de terminal, ainsi que décrit dans le chapitre 2 ou le chapitre 3 du manuel *Model 715 Owner's Guide*.

Le système vous demandera également de fournir un mot de passe super-utilisateur. Si vous préférez ne pas choisir de mot de passe super-utilisateur à ce moment, vous pourrez le faire ultérieurement ainsi que décrit dans le chapitre 2 ou le chapitre 3 du manuel *Model 715 Owner's Guide*, livré avec votre système.

## 2 Mettez le moniteur sous tension

Branchez le cordon secteur du moniteur dans une prise de courant secteur. Placez l'interrupteur marche/arrêt sur ON. Le voyant de mise sous tension s'allume pour indiquer que le moniteur est sous tension.

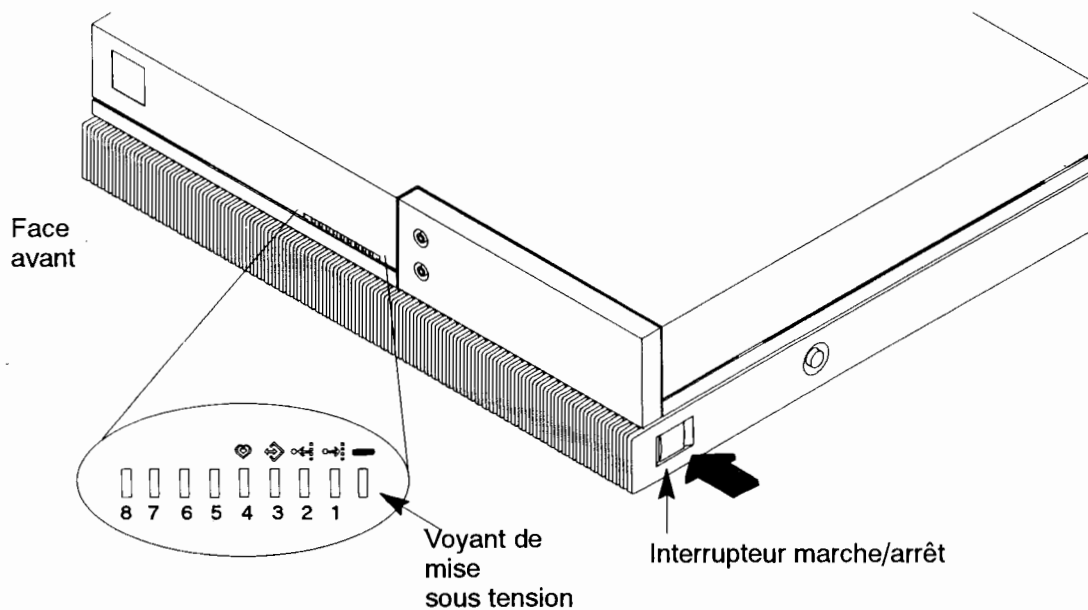
## 3 Mettez l'unité système sous tension

Branchez les cordons d'alimentation secteur de tous les périphériques connectés à l'unité système dans une prise de courant secteur. Mettez les périphériques sous tension.

Branchez le cordon secteur de l'unité système dans une prise de courant. Vous remarquerez que l'interrupteur marche/arrêt du système est un interrupteur à une seule position, et vous ne pouvez donc pas savoir s'il est en position marche ou arrêt tant que vous n'avez pas branché le cordon d'alimentation de l'unité dans une prise secteur.

Si l'interrupteur marche/arrêt est en position marche, le voyant de mise sous tension s'allume pour indiquer que l'unité système est sous tension. Si ce voyant ne s'allume pas, appuyez sur l'interrupteur marche/arrêt pour mettre l'unité système sous tension.

Répondez aux questions relatives à l'adresse réseau, au nom de système et à la zone temporelle, décrites au point 1 de cette section. Après environ trois minutes, des messages apparaissent sur votre écran pour vous informer des différents sous-systèmes matériels et logiciels activés au cours du processus d'amorçage. Aucune réponse n'est demandée, ce sont simplement des messages d'information.



- 4 Reportez-vous à présent au chapitre 2 ou au chapitre 3 du manuel *Model 715 Owner's Guide* livré avec votre système. Il vous explique comment vous connecter et commencer à utiliser votre station de travail.





Printed on Recycled Paper

Order Number: A2084-90012  
Edition E0493  
Printed in U.S.A.



\* A 2 0 8 4 - 9 0 0 1 2 \*