

English

HP DeskJet 560C

High Quality Black and Full Color Printer



Setup Guide

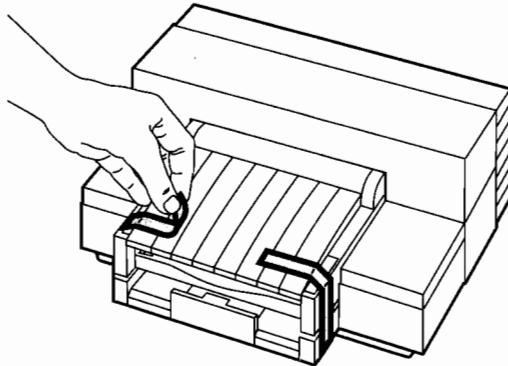
READ THIS FIRST!

1

Unpacking the Printer

Congratulations on your purchase of the HP DeskJet 560C printer. This setup guide explains how to unpack the printer, setup your printer and how to make your printer work with your software application.

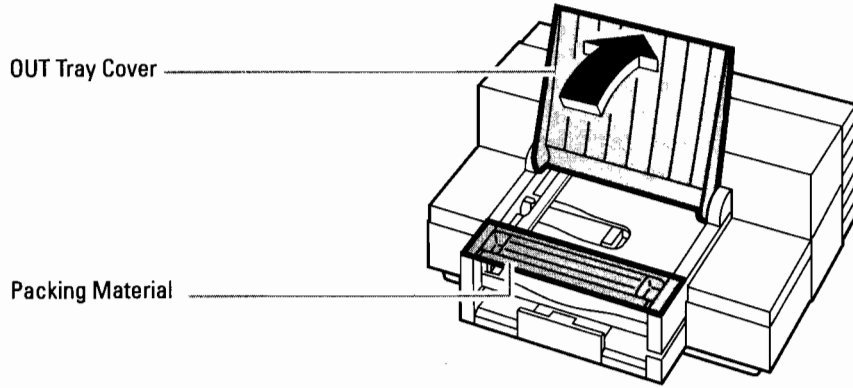
- 1. Remove the accessories, packing material, and printer from the carton. Set the printer on a flat, stable surface.**
Save the carton and packing material in case you need to move or ship your printer later.
- 2. Remove the packing tape from the printer.**



2121036



- 3. Open the OUT tray cover and remove the packing material from the OUT tray.**



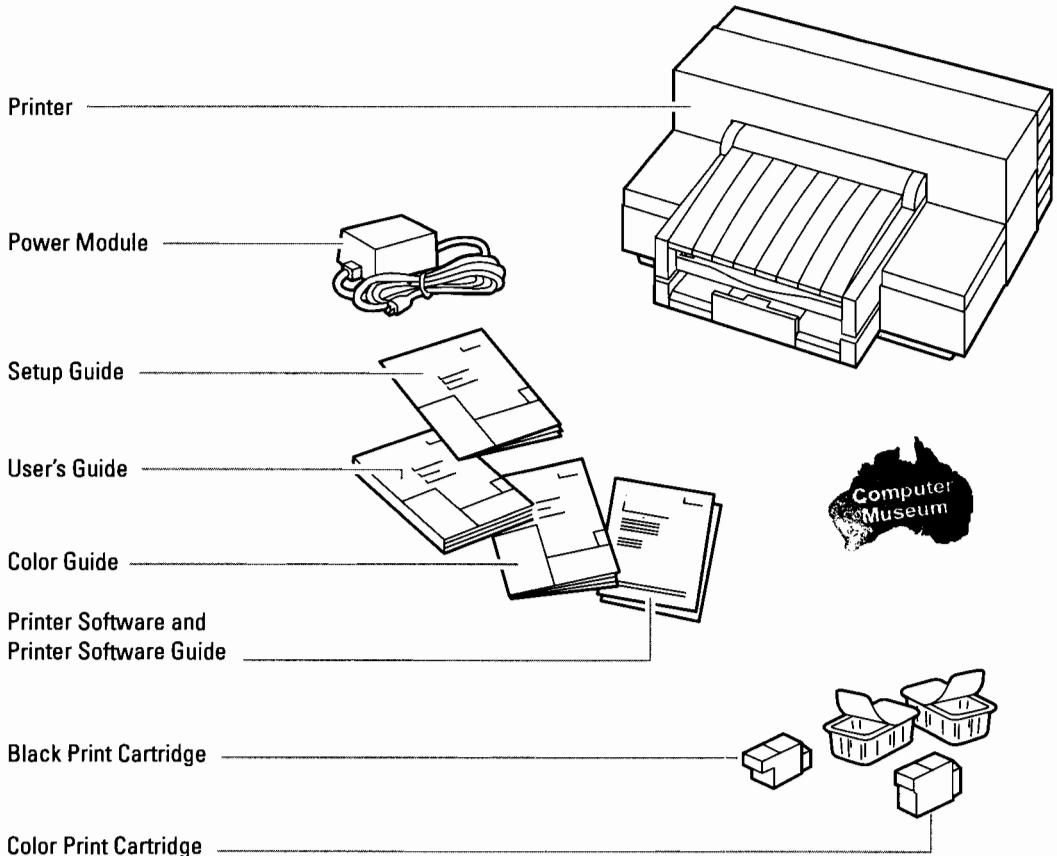
2121037

- 4. Close the OUT tray cover.**
- 5. Open the printer's top cover and remove the tape securing the print cartridge cradles.**
- 6. Close the printer's top cover.**



7. Make sure the items shown were shipped with your printer.

If any of these items are missing or damaged, contact the dealer from whom you purchased your printer.



2121002A

NOTE

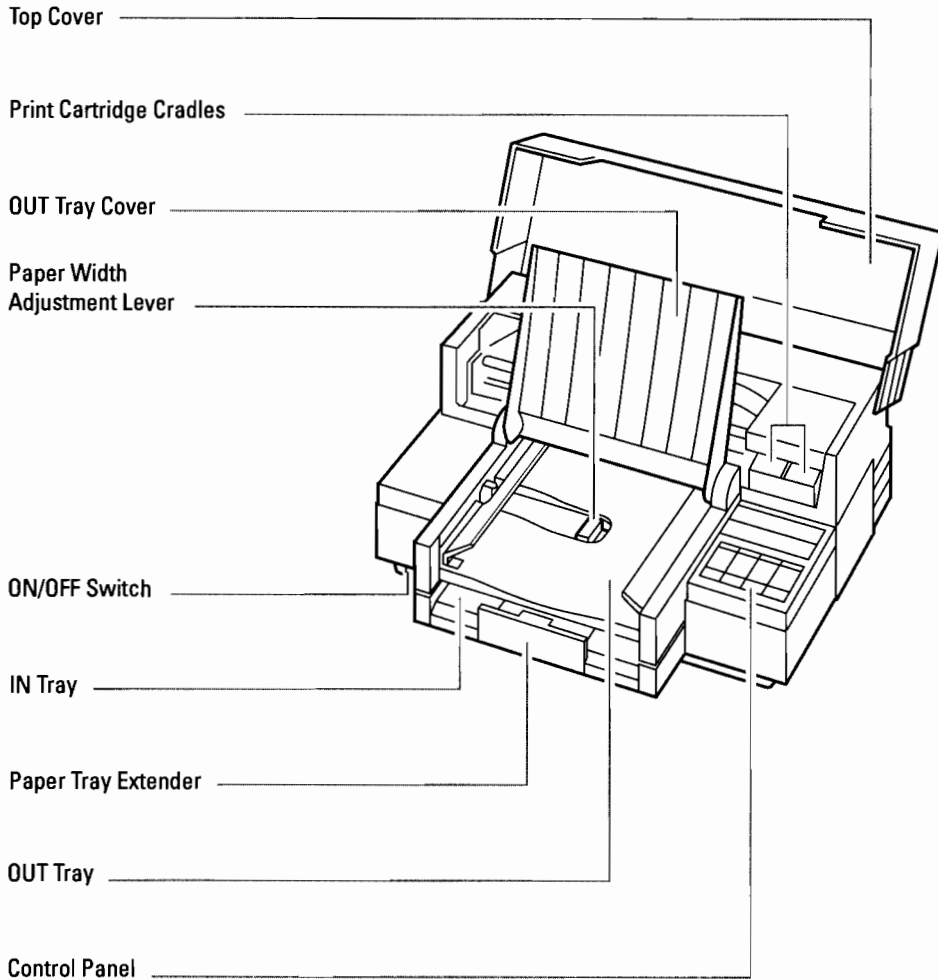
You must purchase separately the *shielded* Centronics parallel interface cable. For PC's you can use the HP C2912A, HP C2912B, or the HP 24542D Centronics parallel cable. If your computer has a serial port only, you can use a serial/parallel converter kit. Contact your dealer for information.

HP Computer Museum
www.hpmuseum.net

For research and education purposes only.



8. Take a few minutes to become familiar with your new printer.



2121001E

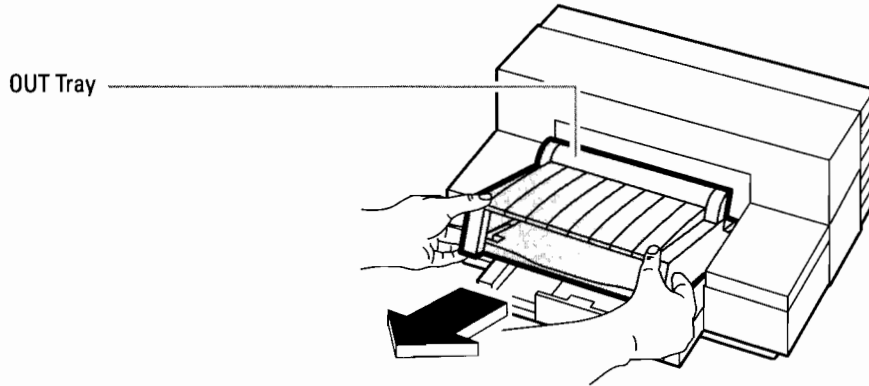
2

Connecting the Power Module

1. Make sure the printer is turned off.

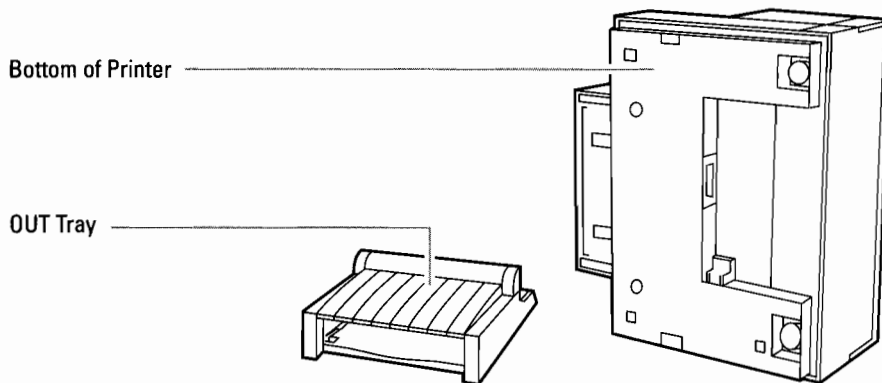
The ON/OFF switch is located in the lower left front corner of the printer's base. "O" indicates off and "I" indicates on.

2. Remove the OUT tray from the printer and set it aside.



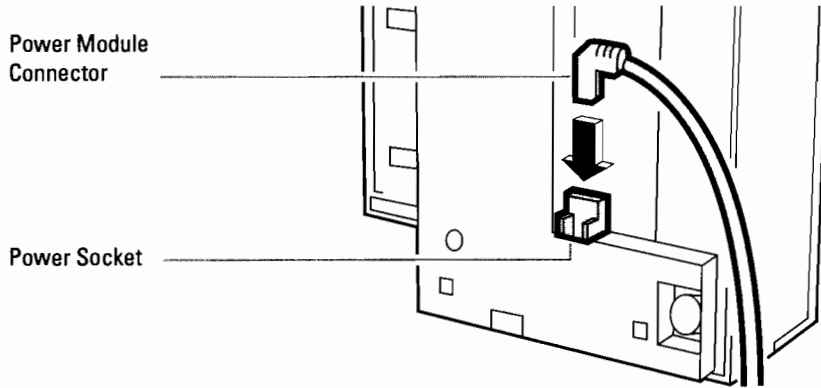
2124004A

3. Tilt and rotate the printer on its side so that the bottom of the printer faces you.



2127331

- |||||
- 4. Plug the power module connector *firmly* into the printer's power socket.**



2124006

- 5. Plug the other end of the power module cord into a grounded electrical outlet.**

The power module emits some magnetic interference. Place the power module on the floor, or at least 1inch away from your computer, disk drive, or hard disk.

Leave the printer tilted on its side to connect the interface cable.

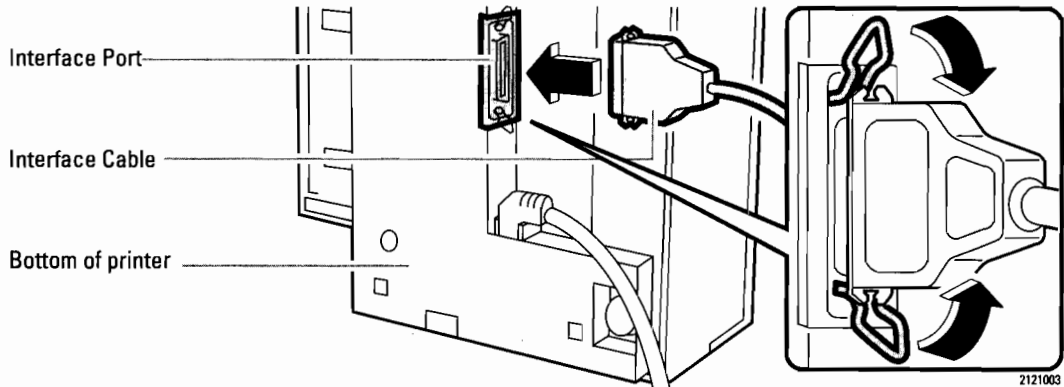
3

Connecting the Interface Cable

You must purchase separately the shielded Centronics parallel interface cable to connect your printer to your computer. You can use the HP C2912A, HP C2912B, or the HP 24542D Centronics parallel cable. See the *HP DeskJet 560C User's Guide* for more interface cable information.

1. **Make sure the printer and computer are turned off.**
2. **Connect the printer end of the interface cable *firmly* to the interface port on the printer and snap both clips into the notches on the connector.**

Make sure the connector is connected firmly to the port to ensure proper communication between the printer and computer.

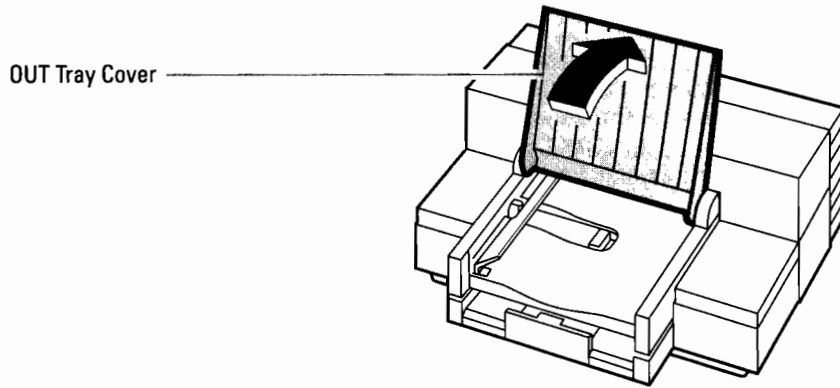


3. **Connect the computer end of the interface cable to the interface port on your computer and tighten the screws on the connector.**
4. **Return the printer to its upright position, making sure the printer does not rest on the interface cable or power module cord.**
5. **Insert the OUT tray into the printer.**

4 Loading Paper

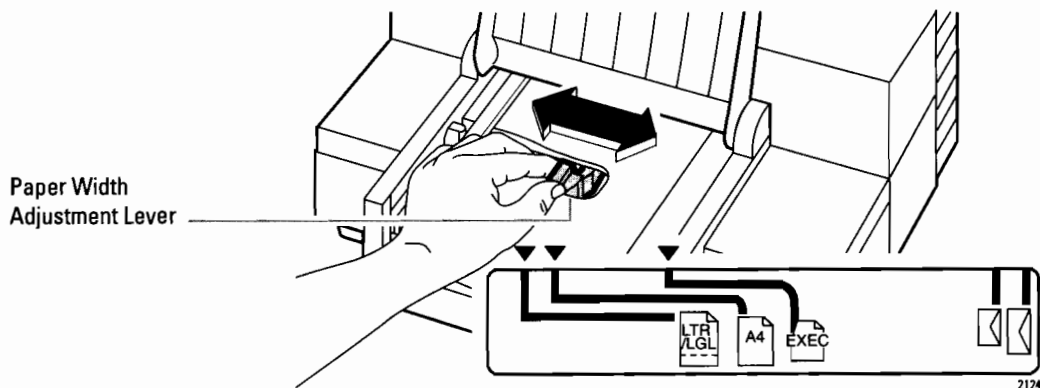
The HP DeskJet 560C printer prints on plain paper and other media. Most plain paper used for photocopying yields good results. See the *HP DeskJet 560C Printer User's Guide* for information on selecting and loading other media types and sizes.

1. Open the OUT tray cover.



2124019A

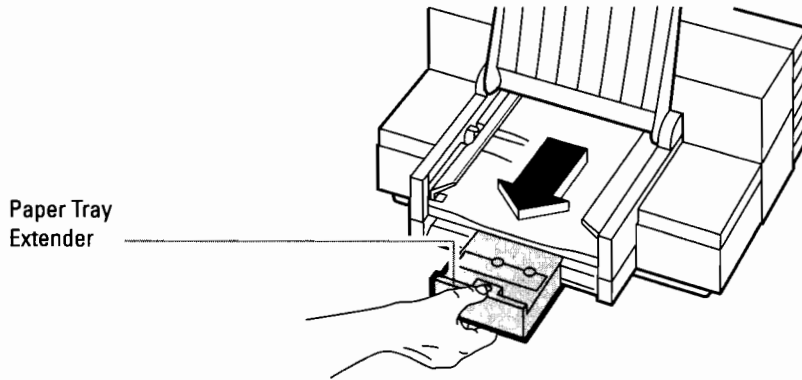
2. Slide the paper width adjustment lever to the appropriate paper size setting.



2124020

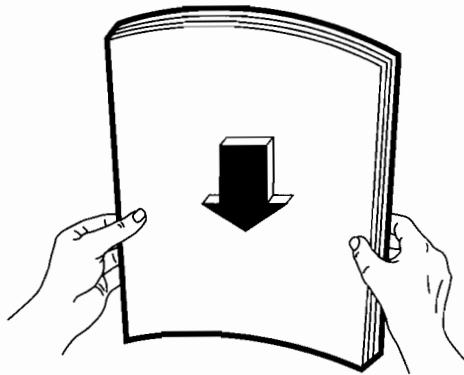


3. Pull out the paper tray extender.



2124022A

4. Remove a $\frac{1}{2}$ in. (approximately 1 cm) stack of paper from the packaging and tap the short edge of the stack on a flat surface to even the stack.

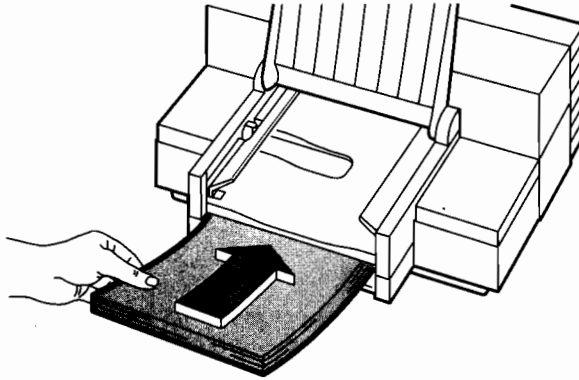


2124025

|||||

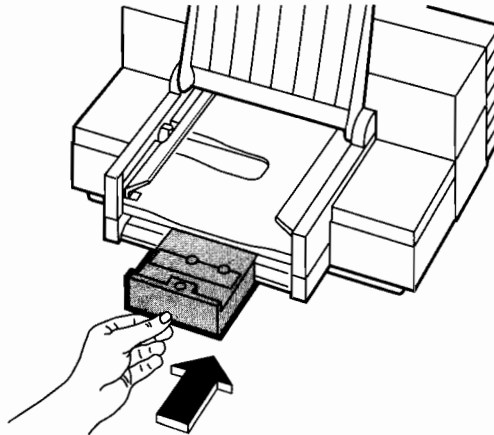
5. Insert the stack of paper squarely into the IN tray, *print side down*, until it stops.

For plain paper, the print side is identified by a symbol or word on the packaging. *Load the print side down.* Make sure the right edge of the stack is aligned with the right side of the IN tray.



2124026A

6. Push the paper tray extender in toward the printer, making sure the paper does not buckle in the IN tray.



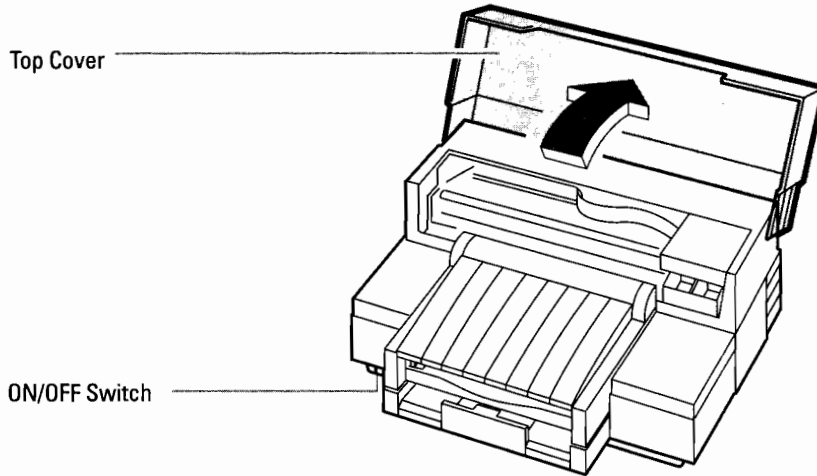
2124033A

7. Close the OUT tray cover.

5

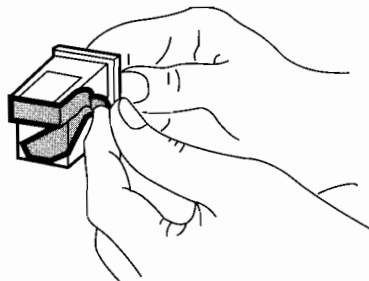
Installing Print Cartridges

1. **Open the printer's top cover and make sure the packing tape securing the print cartridge cradles was removed when you unpacked the printer.**



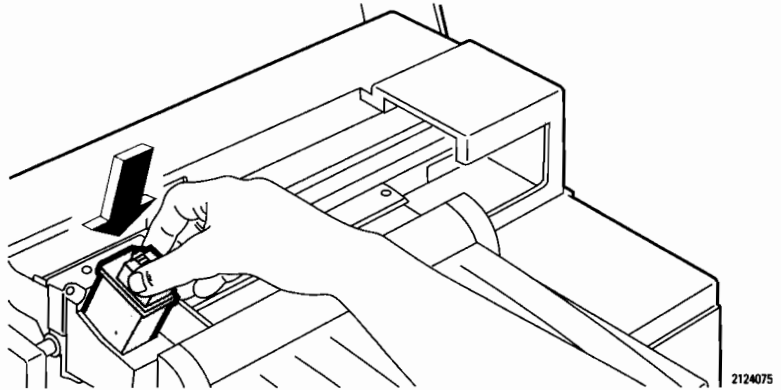
2124042A

2. **Turn on the printer, and then turn on the computer.**
The empty print cartridge cradles move to the left side of the printer.
3. **Open the black print cartridge box and container. Grasp the print cartridge by the green top and remove the cartridge from the container.**
4. **Gently remove both pieces of tape covering the ink nozzles.**
Be careful not to touch the ink nozzles or the copper contacts.

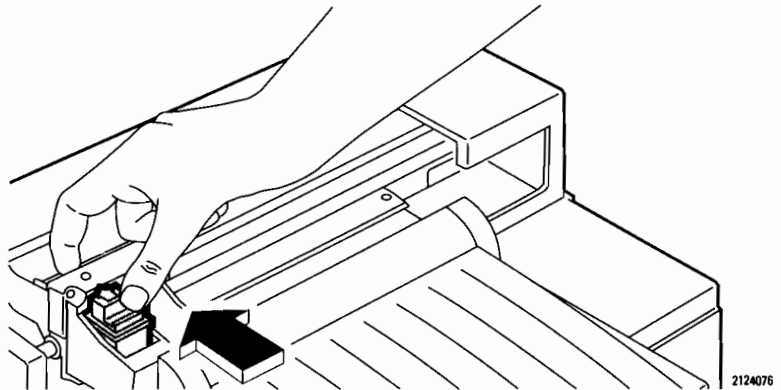


2170009

- |||||
- 5. Drop the print cartridge down and forward into the cradle on the left side. Make sure the green arrow on the cartridge top points to the black dot on the top of the cradle.**



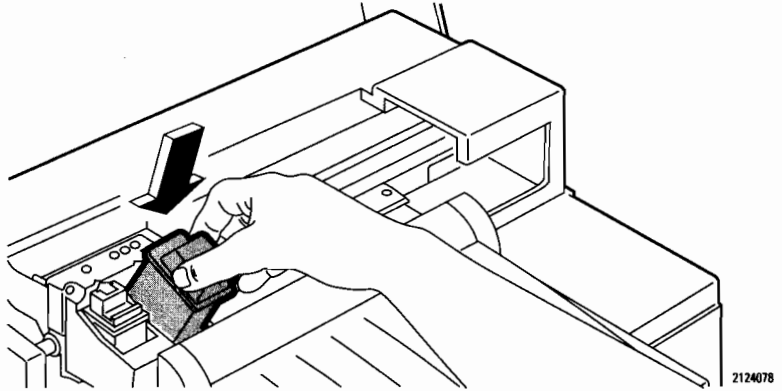
- 6. Push the green arrow toward the black dot until the cartridge snaps into place.**



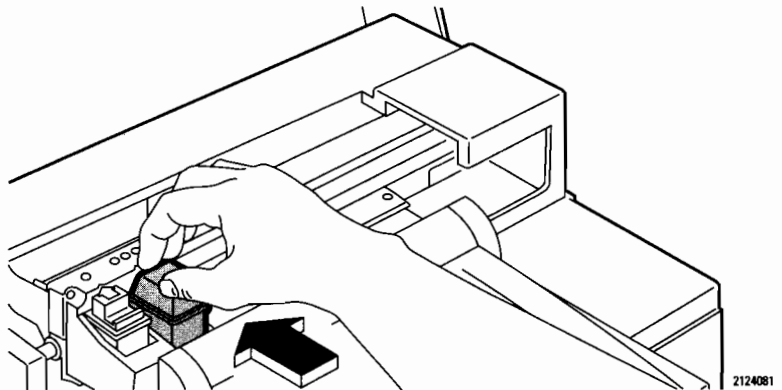
- 7. Open the color print cartridge box and container. Grasp the print cartridge by the green cartridge top and remove it from the container.**
- 8. Gently remove the tape covering the ink nozzles on the print cartridge.**
Be careful not to touch the ink nozzles or the copper contacts.

- |||||
- 9. Drop the print cartridge down and forward into the cradle on the right side.**

Make sure the green arrow on the cartridge top points to the color dots on the top of the cradle.



- 10. Push the green arrow toward the color dots, until the cartridge snaps into place.**

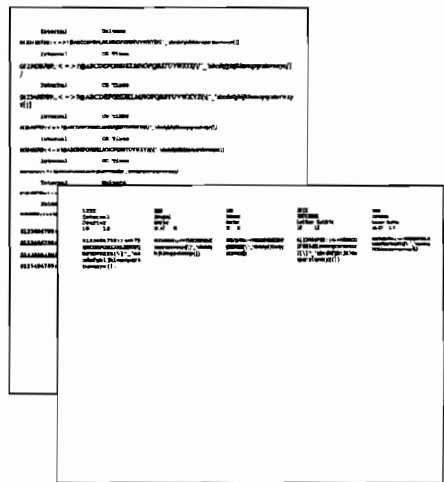
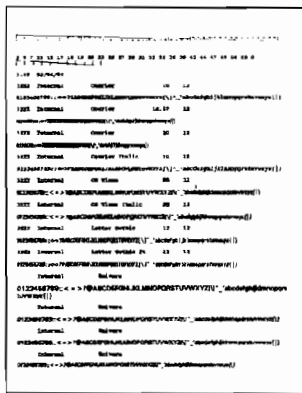


- 11. Press the Install Print Cartridge button on the printer control panel to return the print cartridge cradles to the “home” position on the right side of the printer.**
- 12. Close the printer’s top cover.**
- 13. Press the Alignment Test button and follow the instructions that print with the test to align the print cartridges.**

6 Printing a Printer Self-Test

To make sure your printer is working properly, follow the steps below to print a printer self test:

1. Turn off the printer and make sure the computer is on.
2. Press and hold the Load/Eject Paper button on the printer control panel while turning on the printer.
3. Release the Load/Eject Paper button when paper begins to load.
A three page color and black printer self test pattern prints. The printer's self test may vary slightly from the example shown. If you cannot print a self-test pattern see "Troubleshooting and Maintenance" chapter in your *HP DeskJet 560C Printer User's Guide*.



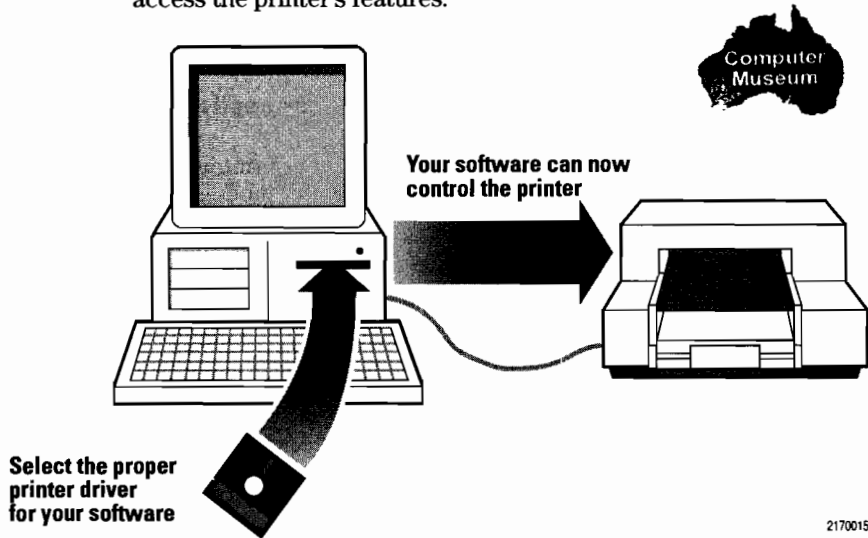
2121018

You have successfully connected your printer to your computer. Printing the printer self-test verifies that your printer is working properly. Now, you must make it work with your software application. Follow the instructions on the next page.

7

Making Your Printer Work With Your Software

Make your computer and software work with your printer by installing the proper printer driver. Printer drivers are software files that control your printer and allow your software application to access the printer's features.



If You Use Microsoft Windows 3.1:

Install the HP DeskJet 500 Series Printer Software for Microsoft Windows 3.1 provided with your printer. See the documentation that came with the printer software for installation instructions.

If You Use OS/2:

Look for the HP DeskJet 560C or HP DeskJet 550C printer model selections in OS/2. If they are not available, contact your IBM representative for information.



If You Use DOS Software Applications:

For each DOS software application you use, you must install a specific printer driver. Your DOS software application supplies printer drivers for many printer models. A printer driver that supports your printer features may already be in your software application.

NOTE

Your access to some printer features, such as font selection, depend on your software application and the printer driver installed.

1. Determine if your software application provides a printer driver that you can use.

Check the printer selection or printer setup menu in your software application for a list of printer models. The list below identifies recommended printer driver selections you can use and the type of support that each offers:

| Printer Driver Selection | Type of Printer Support |
|---------------------------------|---|
| HP DeskJet 560C printer | Supports all printer features. |
| HP DeskJet 550C printer | Supports all printer features. |
| HP DeskJet 500C printer | Supports some color printing features except envelope printing. |
| HP DeskJet 520 printer | Supports all black printing features. |
| HP DeskJet 510 printer | Supports all black printing features. |
| HP DeskJet 500 printer | Supports all black printing features except for some fonts and envelope printing. |
| HP DeskJet Portable printer | Supports some black printing features except envelope printing. |

2. Select the printer driver using the instructions provided by your software application manual.

If the HP DeskJet 560C printer is not listed, use one of the alternate printer drivers listed and contact your software company to determine if an HP DeskJet 560C printer driver is available.

|||||

3. Print a few documents from your software applications to make sure documents are printing correctly.

This ensures that you have selected an appropriate printer driver.

NOTE

You may need to add or change the MODE statement in your computer's AUTOEXEC.BAT file. The MODE statement tells your computer where to send printing information. This statement is not always required. If the printer won't print, check your AUTOEXEC.BAT file to make sure the correct MODE statement for a Centronics parallel connection is: **MODE LPT1:,,P**

If you are *not* familiar with your AUTOEXEC.BAT file, see your DOS manual for information.



What's Next?


Congratulations, you have successfully set up your new printer. Here are some things you can do next:

- Use the *HP DeskJet 560C Printer User's Guide* to learn more about using your printer or use *A Guide to Using Color* to learn more about color printing.
- If you need to verify proof of purchase for your HP DeskJet 560C printer, locate the two-part Proof of Purchase label on the bottom of the printer below the interface port. The top part, entitled "Proof of Purchase," is a removable label you can use, if necessary.

Need Help?

If you have a problem with your printer, see the "Troubleshooting and Maintenance" chapter in your *HP DeskJet 560C Printer User's Guide* for information on solving your problem.



Printed on recycled paper 



Reorder Number C2168-60010
Setup Guide Part Number C2168-90036
Printed in U.S.A. 12/93 CMP