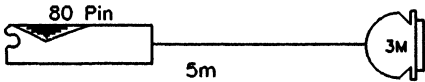
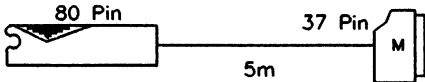
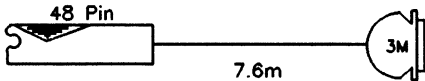
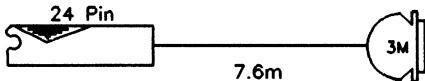
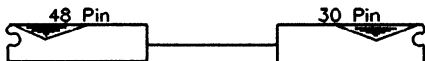
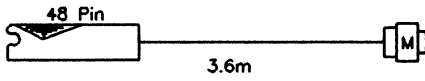
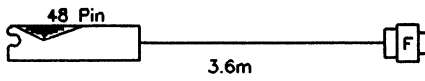
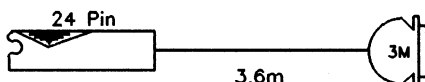
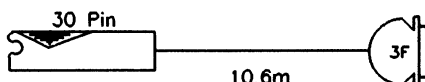

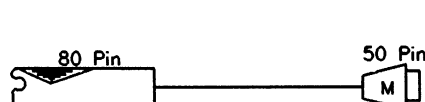
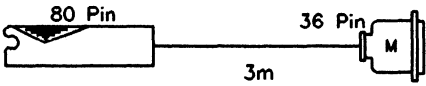
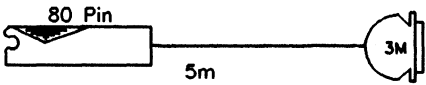
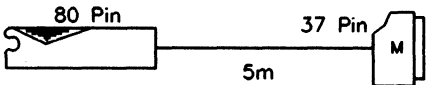
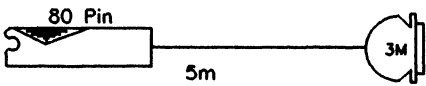
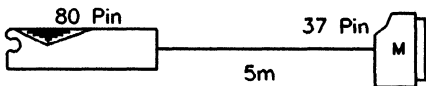
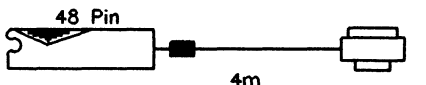
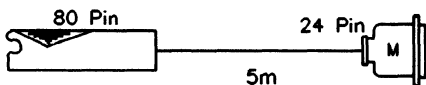
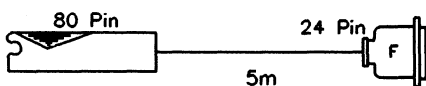
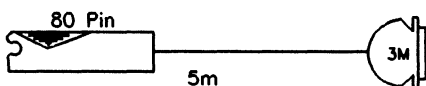
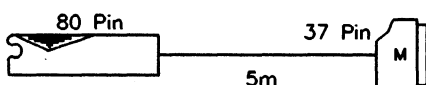
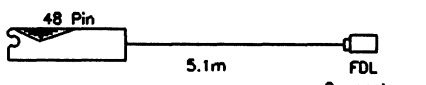


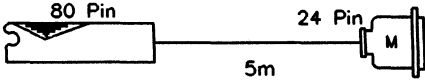
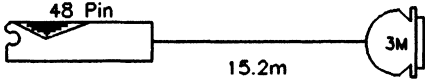
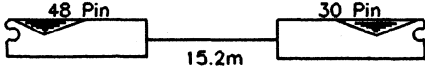
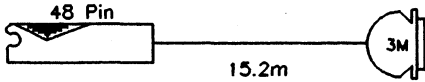
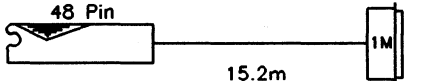
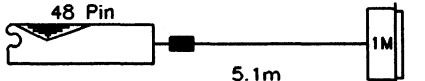
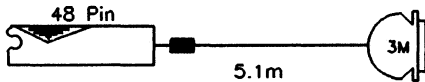
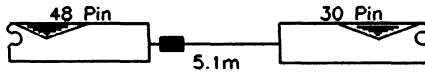
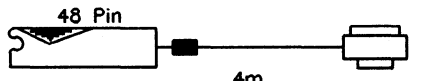
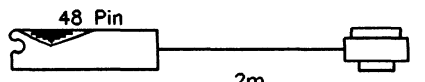
HP 1000 M/E/F-Series Cable Matrix

PRODUCT/ OPTION	HP PART NUMBER	DESCRIPTION	DIAGRAM
12250A	5061-4914	RS-232 Modem Cable	
12250A #002	5061-4923	RS-449 Modem Cable	
12531D #001	12531-60026	EIA Terminal Cable	
12531D #002	12531-60024	Data Set Cable	
12531D #004	13232B	264X Terminals	
12771A	12665-60002	Serial Interface	
	12665-60003	Serial Interface	
12773A	12773-60002	Modem Cable	
12790A	5061-1393	Hardwire Connection to first 13232P cable on Multi-point Terminal	
12790A #001	5061-1391	Modem Cable	
12792C	28658-63005	MUX to Panel Cable	

HP 1000 M/E/F-Series Cable Matrix (continued)

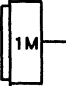
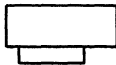
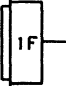
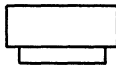

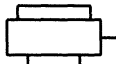
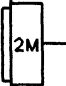
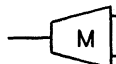

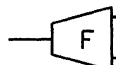



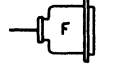

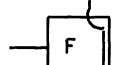

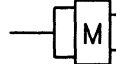


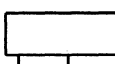
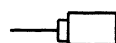
PRODUCT/ OPTION	HP PART NUMBER	DESCRIPTION	DIAGRAM
12792C #002	12828-60002	37214A Modem Panel Cable	
12793B	5061-4914	RS-232 Modem Cable	
12793B #002	5061-4923	RS-449 Modem Cable	
12794B	5061-4914	RS-232 Modem Cable	
12794B #002	5061-4923	RS-449 Modem Cable	
12821A	59310-60008	RFI Filtered HP-IB Cable	
12825A	5061-3422	RS-232 Direct Connect Cable	
	5061-4908	RS-232 Direct Connect Cable	
12826B	5061-4914	RS-232 Modem Cable	
12826B #001	5061-4923	RS-449 Modem Cable	
12830A	5061-4903	Data Link Cable	

HP 1000 M/E/F-Series Cable Matrix (continued)

PRODUCT/ OPRION	HP PART NUMBER	DESCRIPTION	DIAGRAM
12834A	5061-3422	RS-232 Direct Connect Cable	
12966A	12966-60004	RS-232 Direct Connect Cable	
12966A #001	12966-60008	RS-232 Direct Connect for 264X Terminals	
12966A #002	12966-60006	RS-232 Modem Cable	
12966A #005	12966-60010	RS-232 Direct Connect for 264X Terminals	
12966A #105	12966-60014	RFI Filtered RS-232 Direct Connect for 262X Terminals	
12966A #106	12966-60015	RFI Filtered RS-232 Direct Connect Cable	
19666A #107	12966-60016	RFI Filtered RS-232 Direct Connect Cable	
59310B	59310-60008	RFI Filtered HP-IB Cable	
59310B #001	59310-60006	HP-IB Cable	

NOTE: 12966A Options 105, 106 and 107 contain jumpers which force the interface to operate at 9600 baud; they are required when used with HP systems to meet EMI compatibility requirements.

Connector Diagram Legend

DIAGRAM	DESCRIPTION	DIAGRAM	DESCRIPTION
	50-pin Male Connector		50-pin CIO Connector
	50-pin Female Connector		72-pin CIO Connector
	19-pin Male Connector		HP-IB Connector
	64-pin Male Connector		50-pin or 62-pin Male Connector
	25-pin Male Connector		62-pin Female Connector
	25-pin Female Connector		24-pin or 36-pin Male Connector
	37-pin Male Connector		24-pin Female Connector
	RJ-11 Connector		25-pin Female Connector
	RJ-11/RS-232 25-pin Male Connector Adapter		6-pin Male Connector
	PC Edge Connector		6-pin Female Connector
	26-pin CIO Connector		FDL connector