

HP 9000/822S

System Upgrade Manual for A1716A



HP Part No. A1716-90001
Printed in U.S.A. 1990

First Edition
E0690

The information contained in this document is subject to change without notice.

HEWLETT-PACKARD MAKES NO WARRANTY OF ANY KIND WITH REGARD TO THIS MATERIAL, INCLUDING, BUT NOT LIMITED TO, THE IMPLIED WARRANTIES OF MERCHANTABILITY AND FITNESS FOR A PARTICULAR PURPOSE. Hewlett-Packard shall not be liable for errors contained herein or for incidental or consequential damages in connection with the furnishing, performance, or use of this material.

Hewlett-Packard assumes no responsibility for the use or reliability of its software on equipment that is not furnished by Hewlett-Packard.

This document contains proprietary information which is protected by copyright. All rights are reserved. No part of this document may be photographed, reproduced, or translated to another language without prior written consent of Hewlett-Packard Company.

Copyright © 1990 by Hewlett-Packard Company

HP Computer Museum
www.hpmuseum.net

For research and education purposes only.

Regulatory Statements

For your protection this product has been tested to various national and international regulations and standards. The scope of this regulatory testing includes electrical/mechanical safety, radio frequency interference, ergonomics, acoustics, and hazardous materials. Where required, approvals obtained from third-party test agencies are shown on the product label. In addition, various regulatory bodies require some information under the following headings.

For U.S.A. Only

The United States Federal Communications Commission (in Subpart J, of Part 15, Docket 20780) has specified that the following notice be brought to the attention of the users of this product:

Warning: This equipment generates, uses, and can radiate radio frequency energy and if not installed and used in accordance with the instructions manual, may cause interference to radio communications. It has been tested for compliance with the limits of Class A computing devices pursuant to Subpart J of Part 15 of FCC Rules, which are designed to provide reasonable protection against such interference. Operation of this equipment in a residential area is likely to cause interference in which case the user at his own expense will be required to take whatever measures may be required to correct the interference.

Japanese Radio Frequency Interference

The following notice is for users of this product in Japan:

この装置は、第一種情報装置(商工業地域において使用されるべき情報装置)で商工業地域での電波障害防止を目的とした情報処理装置等電波障害自主規制協議会(VCCI)基準に適合しております。

従って、住宅地域またはその隣接した地域で使用すると、ラジオ、テレビジョン受信機等に受信障害を与えることがあります。

取扱説明書に従って正しい取り扱いをして下さい。

Japanese Radio Frequency Notice

For West Germany Only

This is to certify that this product meets the Radio Frequency Interference Requirements of Directive 1046/84. The German Bundespost has been notified that this equipment has been put into circulation and has been granted the right to check the product type for compliance with these requirements.

Funkentstörung Deutschland (German EMI Compliance)

Herstellerbescheinigung

Hiermit wird bescheinigt, daß dieses System in Übereinstimmung mit den Bestimmungen von Postverfügung 1046/84 funkentstört ist.

Der Deutschen Bundespost wurde das Inverkehrbringen dieses Systems angezeigt und die Berechtigung zur Überprüfung der Serie auf Einhaltung der Bestimmungen eingeräumt.

For The United Kingdom Only (UK Telecom Statement)

Interconnection of ports marked "WARNING. Connect only apparatus complying with BS6301 to this (these) port(s)", with ports not so marked may produce hazardous conditions on the network and advice should be obtained from a competent engineer before such a connection is made.

Warning **Connect only apparatus complying with BS6301 to the ports of this apparatus.**

Print History

The following table lists the printings of this document, together with the respective release dates for each edition. The software version indicates the version of the software product at the time this document was issued. Many product releases do not require changes to the document. Therefore, do not expect a one-to-one correspondence between product releases and document editions.

Edition	Date
First Edition	June 1990



Safety Considerations

This product and related documentation must be reviewed for familiarization with safety markings and instructions before operation.

Warning

The WARNING sign denotes a hazard. It calls attention to a procedure, practice, of the like, which if not done correctly or adhered to, could result in injury. Do not proceed beyond a WARNING sign until the indicated conditions are fully understood and met.

Caution

The CAUTION sign denotes a hazard. It calls attention to an operating procedure, practice, of the like, which if not done correctly or adhered to, could damage or destroy part or all of the product. Do not proceed beyond a CAUTION sign until the indicated conditions are fully understood and met.

Contents

1. Introduction	
Introduction	1-1
2. System Upgrade Procedure	
Introduction	2-1
Processor PCA Removal and Replacement	2-1
Back Up System	2-1
Remove Rear Panel	2-1
Remove Processor PCA	2-3
Replacement	2-5
Processor PCA Return Procedure	2-5
Upgrade Front Panel Label	2-5
Upgrade Rear Panel Label	2-5
Verify Processor Installation	2-5
Verify System Operation	2-6
Other System Upgrade Tasks	2-6

Figures

2-1. Rear Panel Removal	2-2
2-2. Processor PCA Removal	2-4

Tables

1-1.	1-1
--------------	-----

Introduction

Introduction

This manual describes how to perform the processor upgrade of the HP 9000/822S system.

The system upgrades that can be performed are shown in Table 1-1.

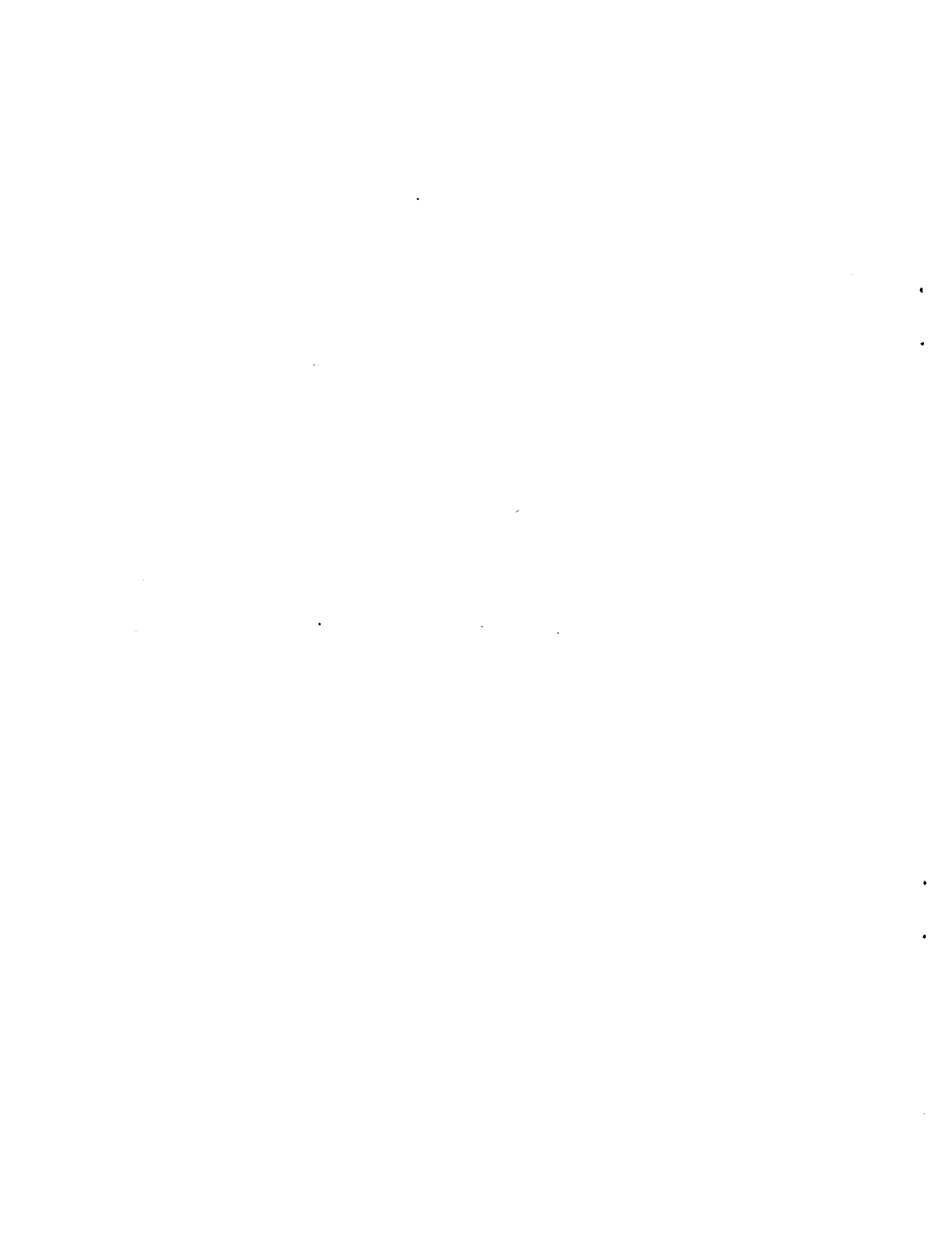
Table 1-1.

Product	Option	Description
A1716A		Field Upgrade to Model 832
	503	Add 8 Mbyte RAM
	504	Add 16 Mbyte RAM
	505	Add 24 Mbyte RAM
	507	Delete 8 Mbyte RAM



The upgrade to HP 9000/832 is performed by installing a new processor PCA and by changing the front and rear panel labels.

Memory upgrades, disk upgrades, and peripheral channel upgrades can be performed at the same time the processor upgrade is performed.



System Upgrade Procedure

Introduction

This chapter describes how to upgrade the HP 9000/822S system to an HP 9000/832S system. If you are performing other upgrades, such as memory or peripherals, perform them after you have completed the processor upgrade.

Processor PCA Removal and Replacement

Required Tools:

- No. 10 TORX head driver
- Small flat blade screw driver
- Anti-static protective containers
- Grounding wrist strap

Warning	Dangerous voltages or high energy levels are present within the cabinet. To prevent harm to personnel, ensure that the AC power cord is disconnected and that the keyswitch is in position 0.
----------------	--

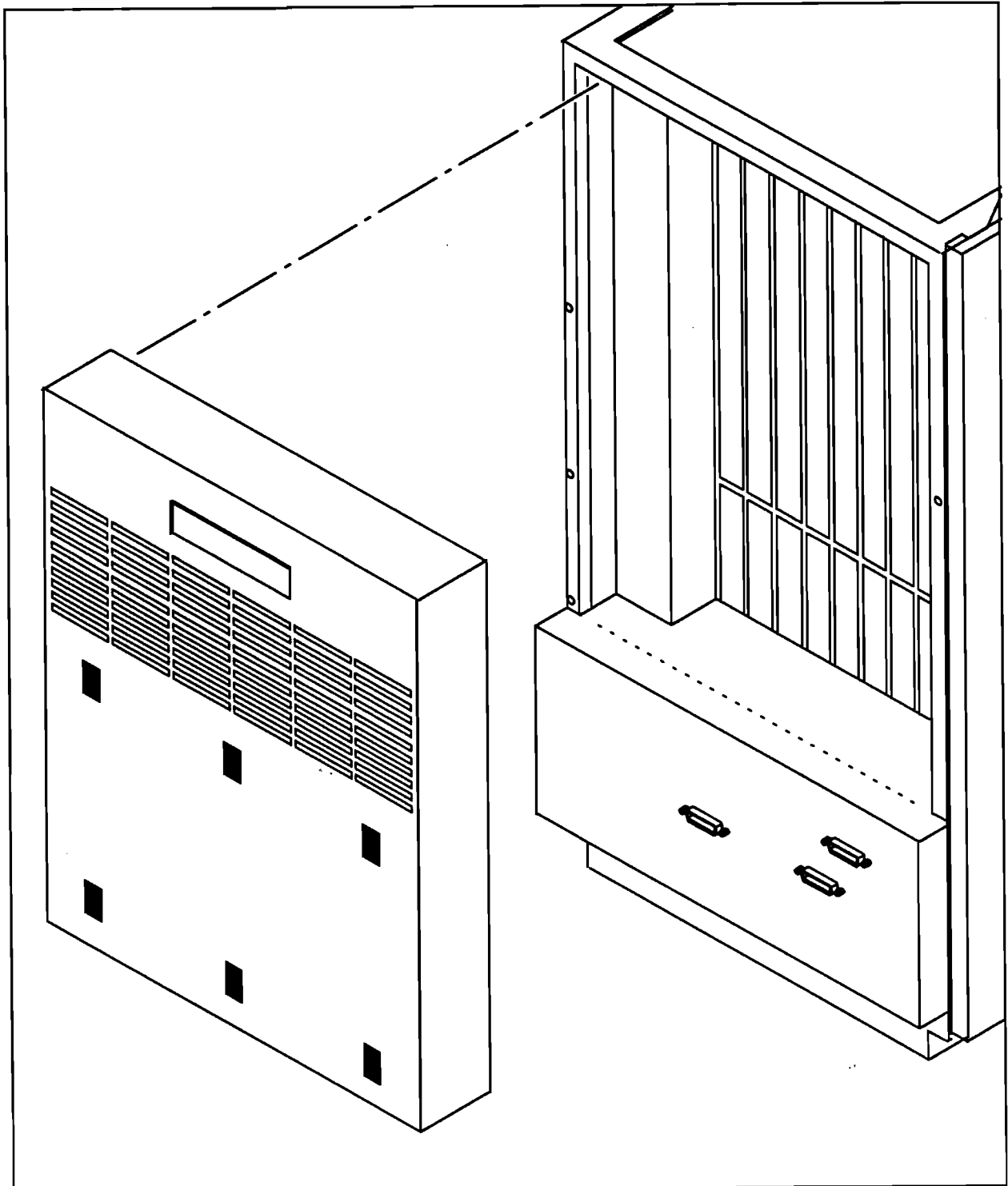
Caution	Handle all FRUs carefully. Dropping or otherwise jarring the FRUs will cause damage to them. Follow ESD procedures. Always use an ESD grounding wrist strap during service.
----------------	--

Back Up System

Make sure that a complete system backup has been performed before replacing the Processor PCA.

Remove Rear Panel

1. Pull the panel out from the top and lift up and out. (See Figure 2-1.)
2. Set the panel assembly aside.



LG200122_013

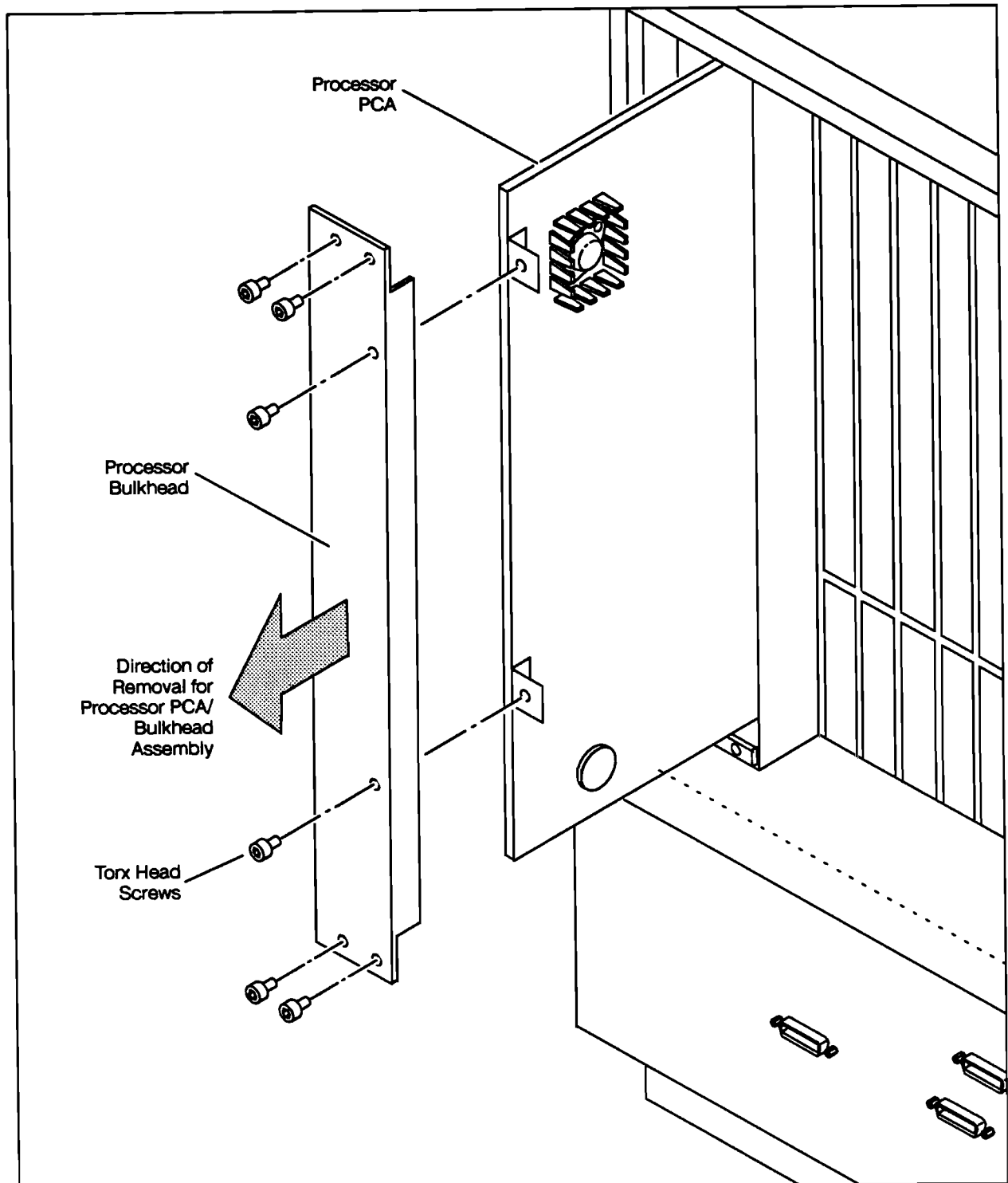
Figure 2-1. Rear Panel Removal

2-2 System Upgrade Procedure

Remove Processor PCA

1. Remove the Processor PCA by unscrewing the six TORX screws on the Processor PCA bulkhead. See Figure 2-2.
2. Use the two bulkhead brackets located on the front edge of the Processor PCA and pull the board out.





LG200122_044

Figure 2-2. Processor PCA Removal

Replacement

Install the Processor PCA and attach the bulkhead. Tighten all screws before replacing the rear panel.

Processor PCA Return Procedure

Return the Processor PCA in accordance with the instructions included in the Processor Upgrade kit.

Upgrade Front Panel Label

Remove the front panel label using a small flat blade screw driver.

Remove the adhesive backing on the upgrade label and apply the label to the front panel of the system cabinet.

Upgrade Rear Panel Label

Place the product number upgrade label over the bar code in the PRODUCT NUMBER field of the rear panel regulatory label. **DO NOT cover the original product number.**

Record the original product number and the serial number.

Verify Processor Installation

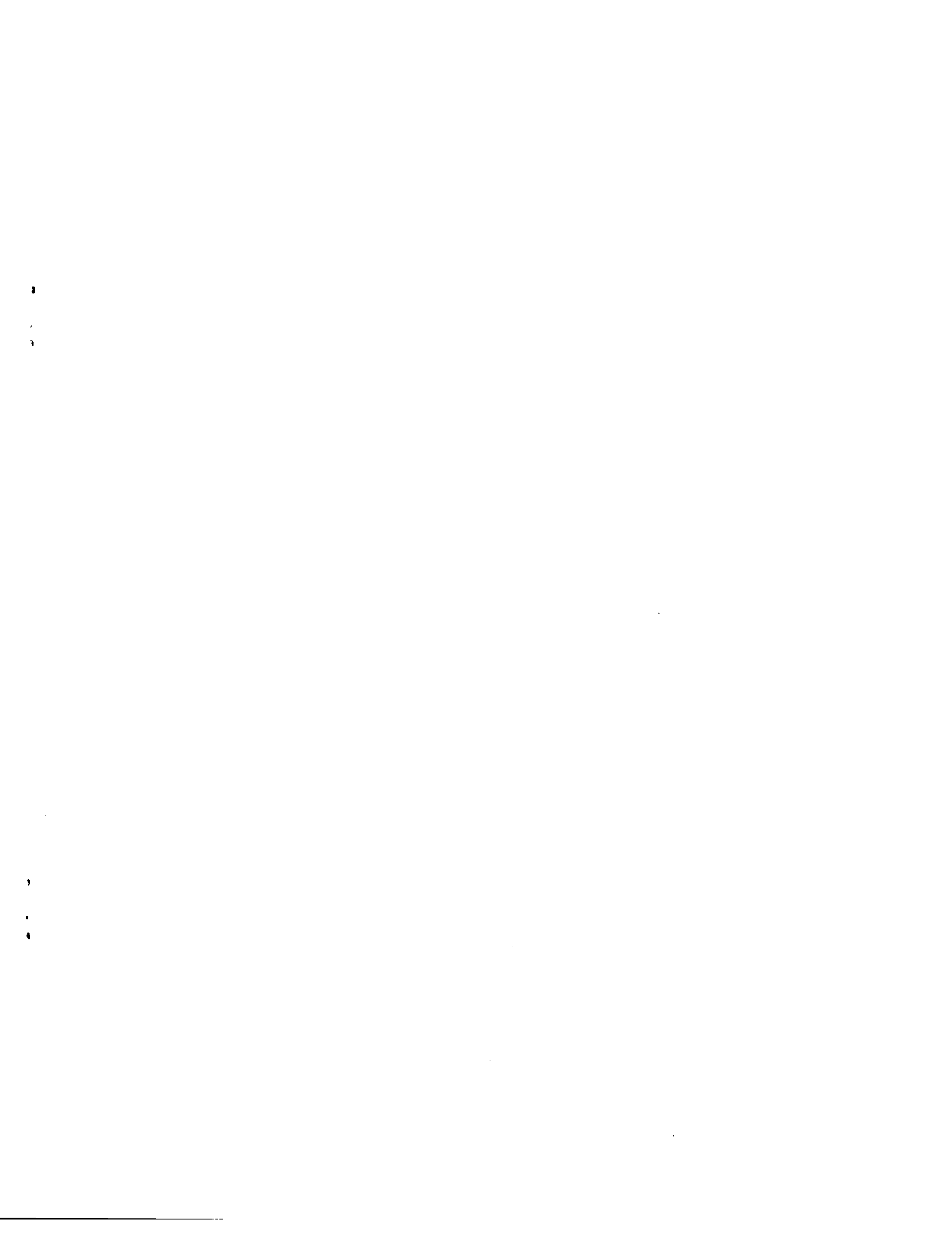
- Connect the AC power cord to the system cabinet.
- Turn the system keyswitch to position 1 and verify that CPU Selftest completes successfully.
- Load the system support tape.
- Execute the A1002AP processor diagnostic.
- If the processor passes the diagnostic, go to the next step.

Verify System Operation

Boot the operating system. If the HP-UX login: prompt is displayed, system operation is verified.

Other System Upgrade Tasks

If other system upgrades, such as memory upgrades, disk upgrades, and peripheral channel upgrades, are to be performed, do them now. Refer to the documentation in the upgrade kits for specific upgrade instructions.





**HP Part Number
A1716-90001**

Printed in U.S.A. E0690



A1716-96001

For HP Internal Use Only