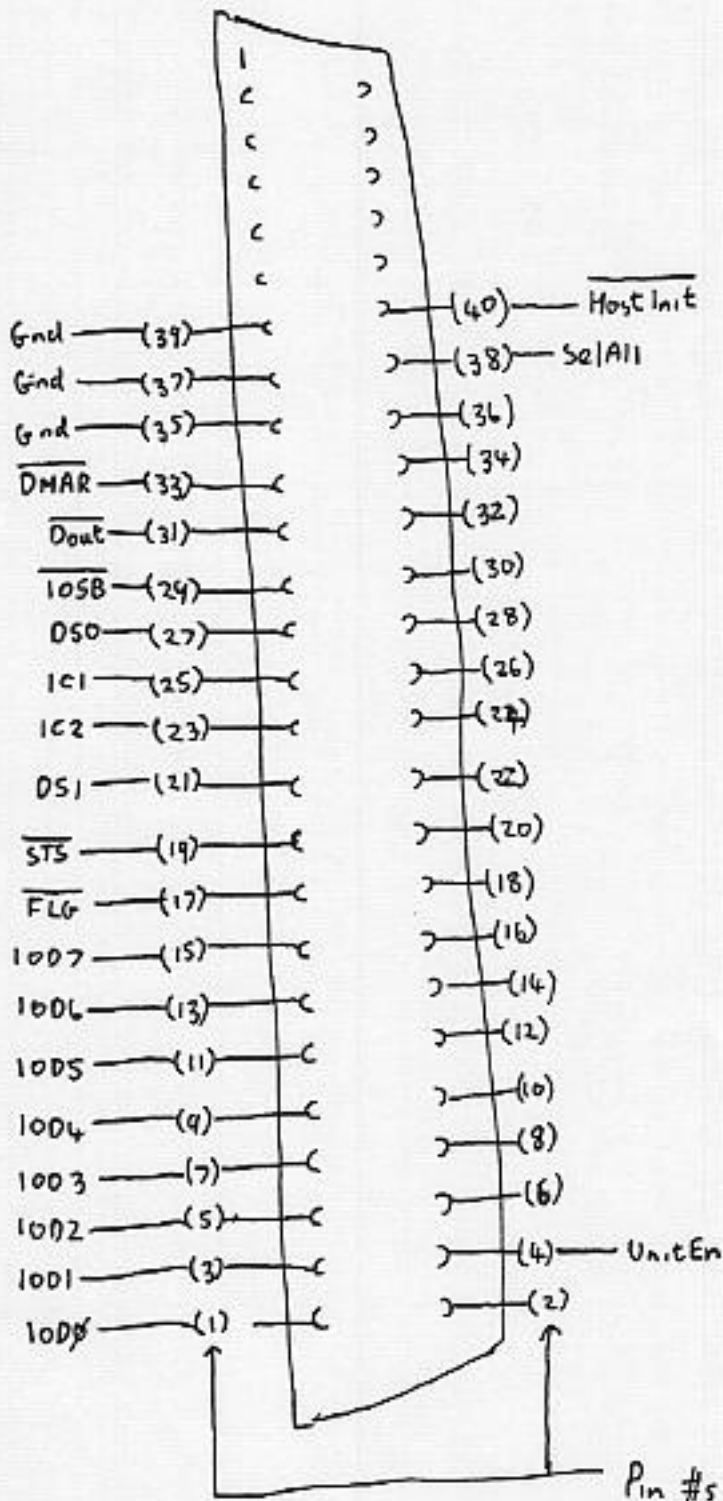
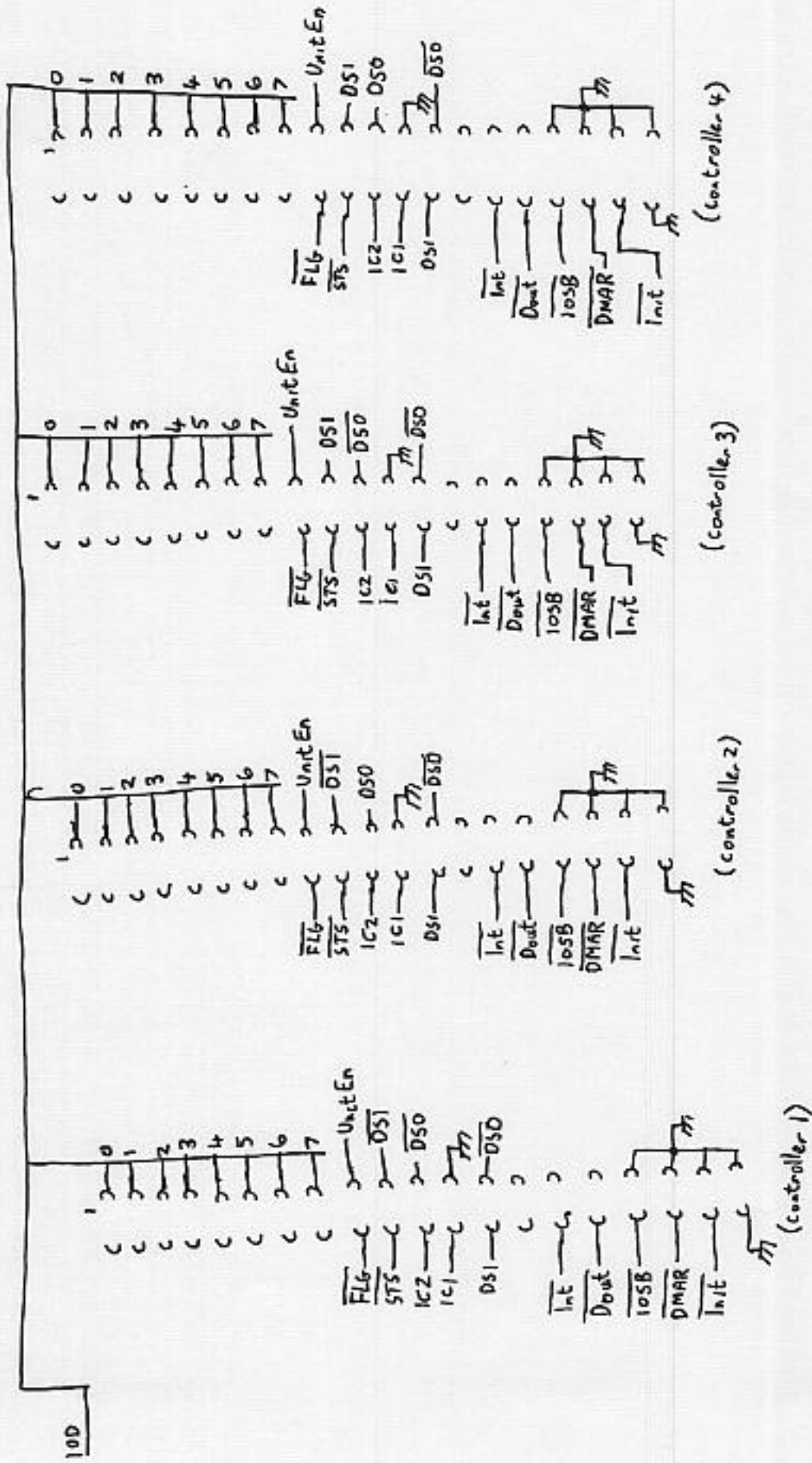


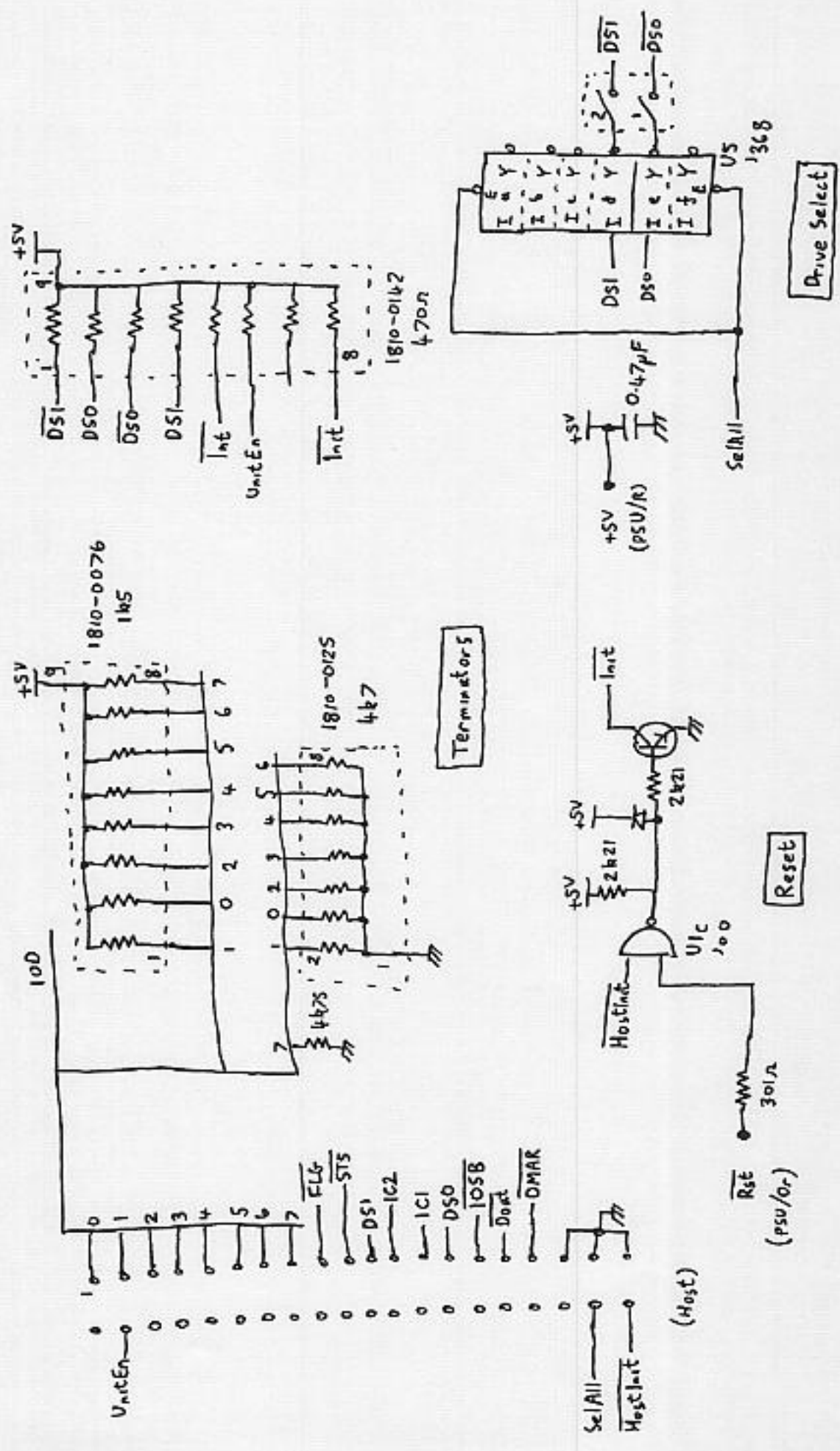
HP9677 Host Connector

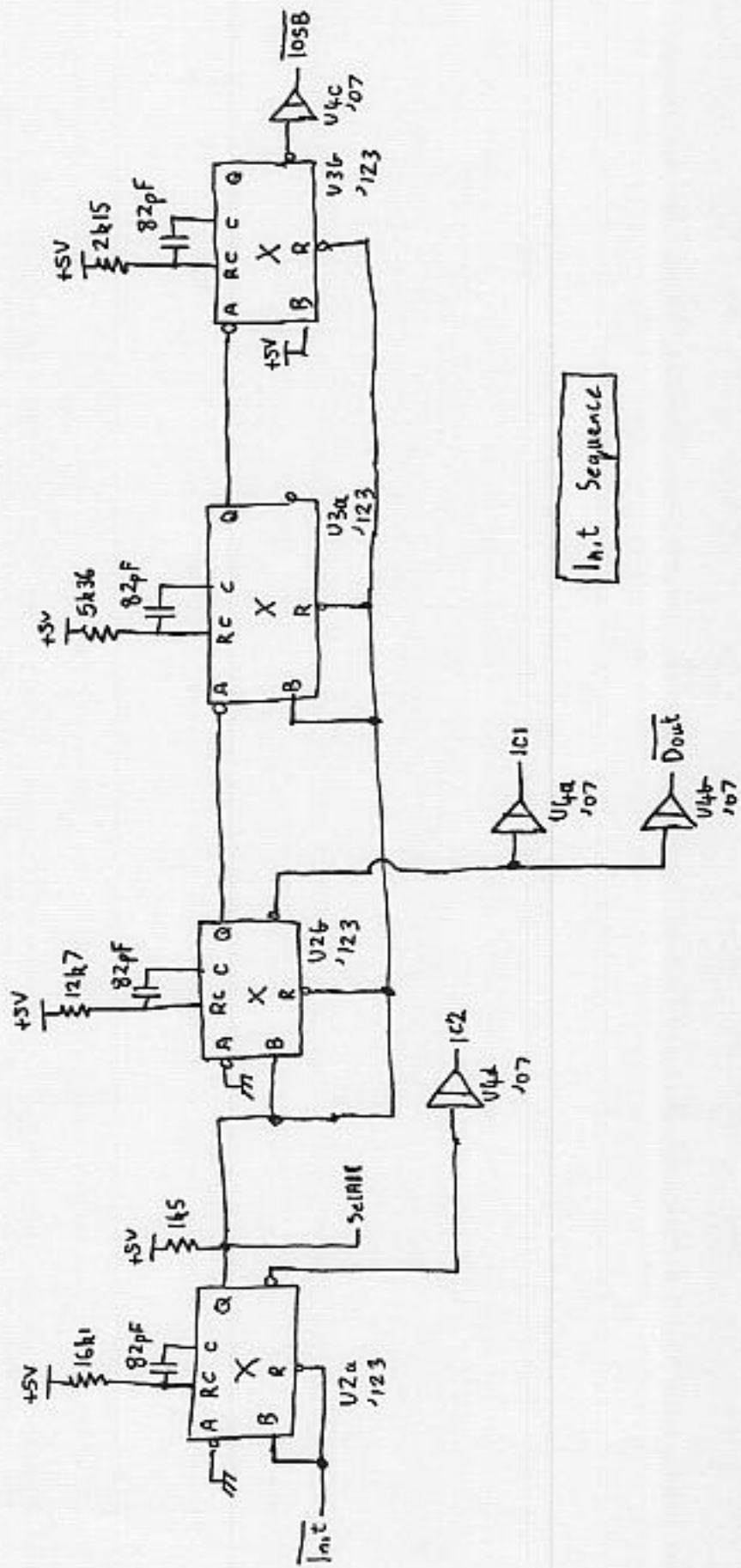


Pin #s on Interface PCB
Edge Connector

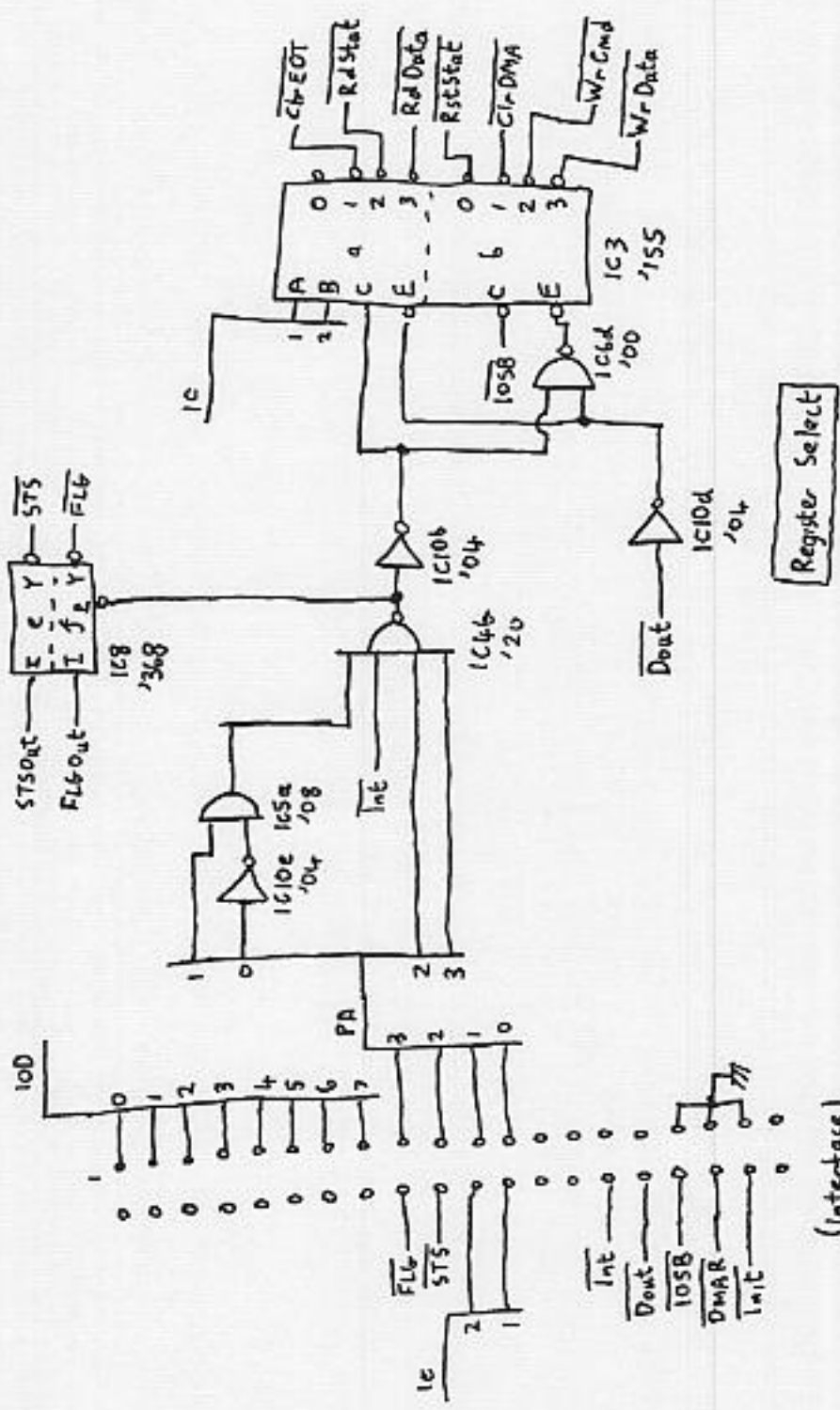


Controller Connectors

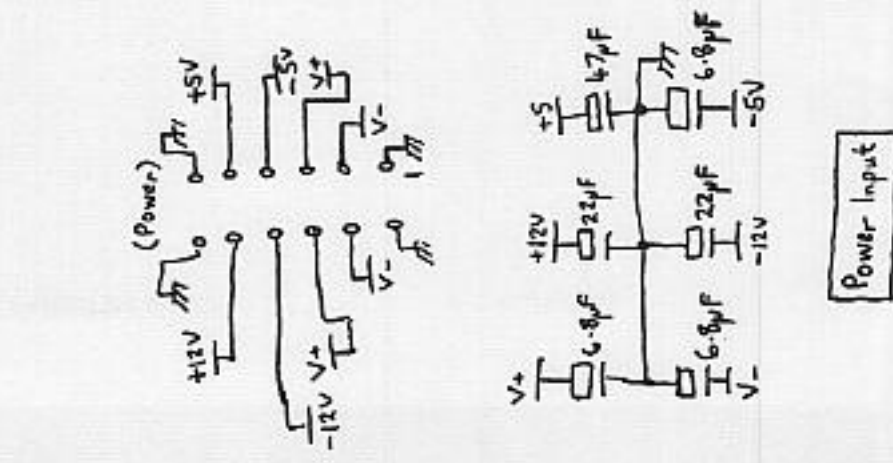




Init Sequence

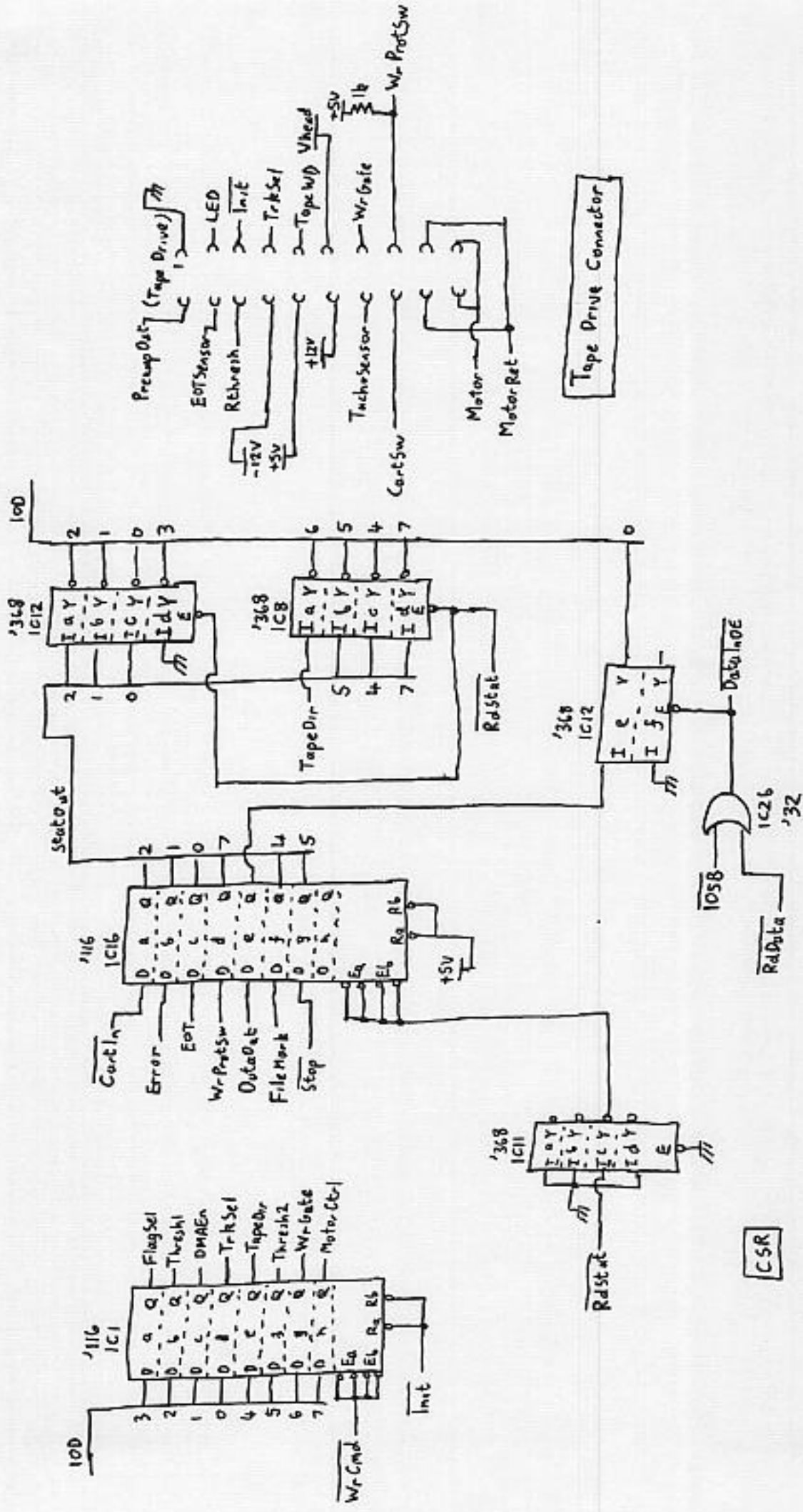


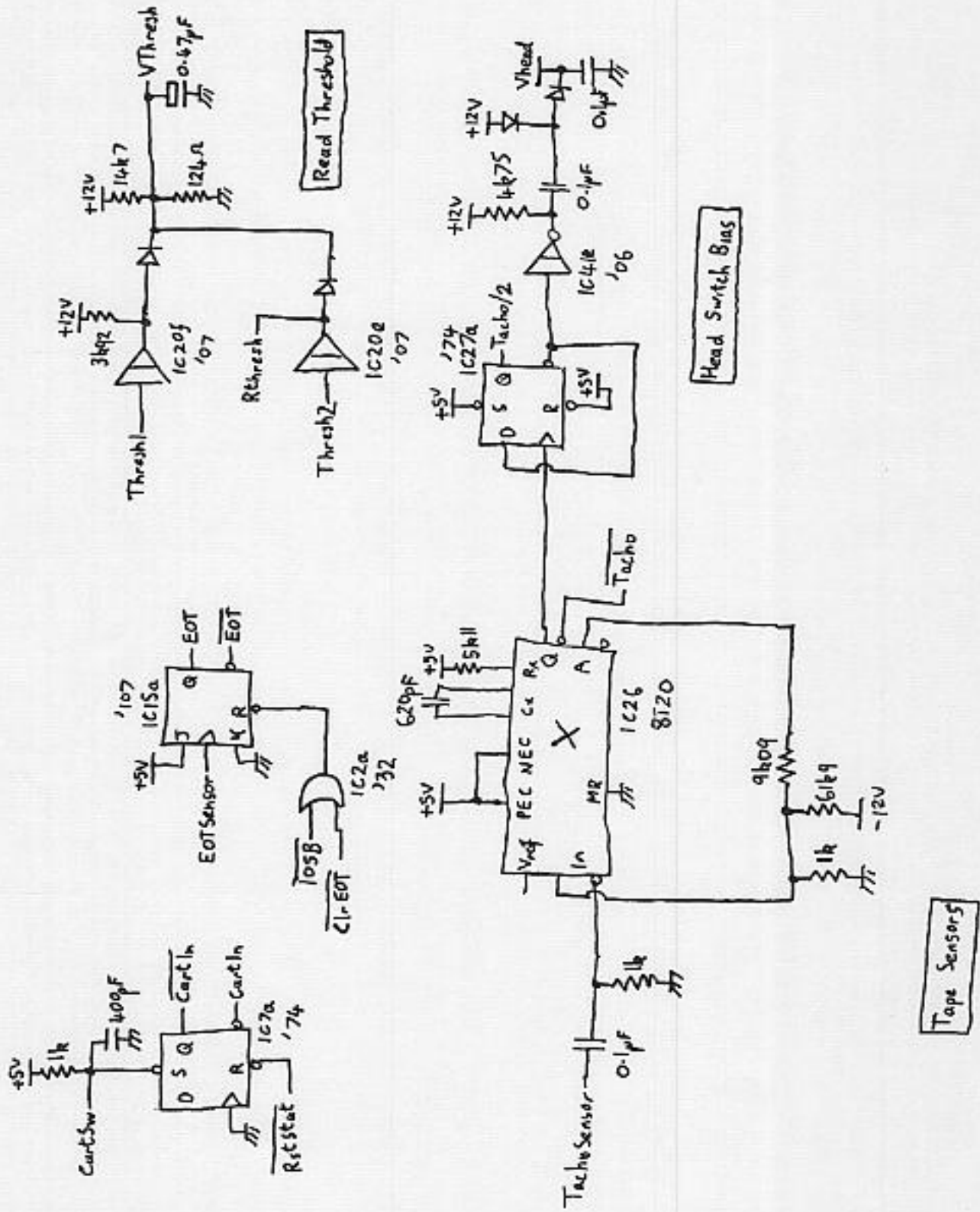
Register Select

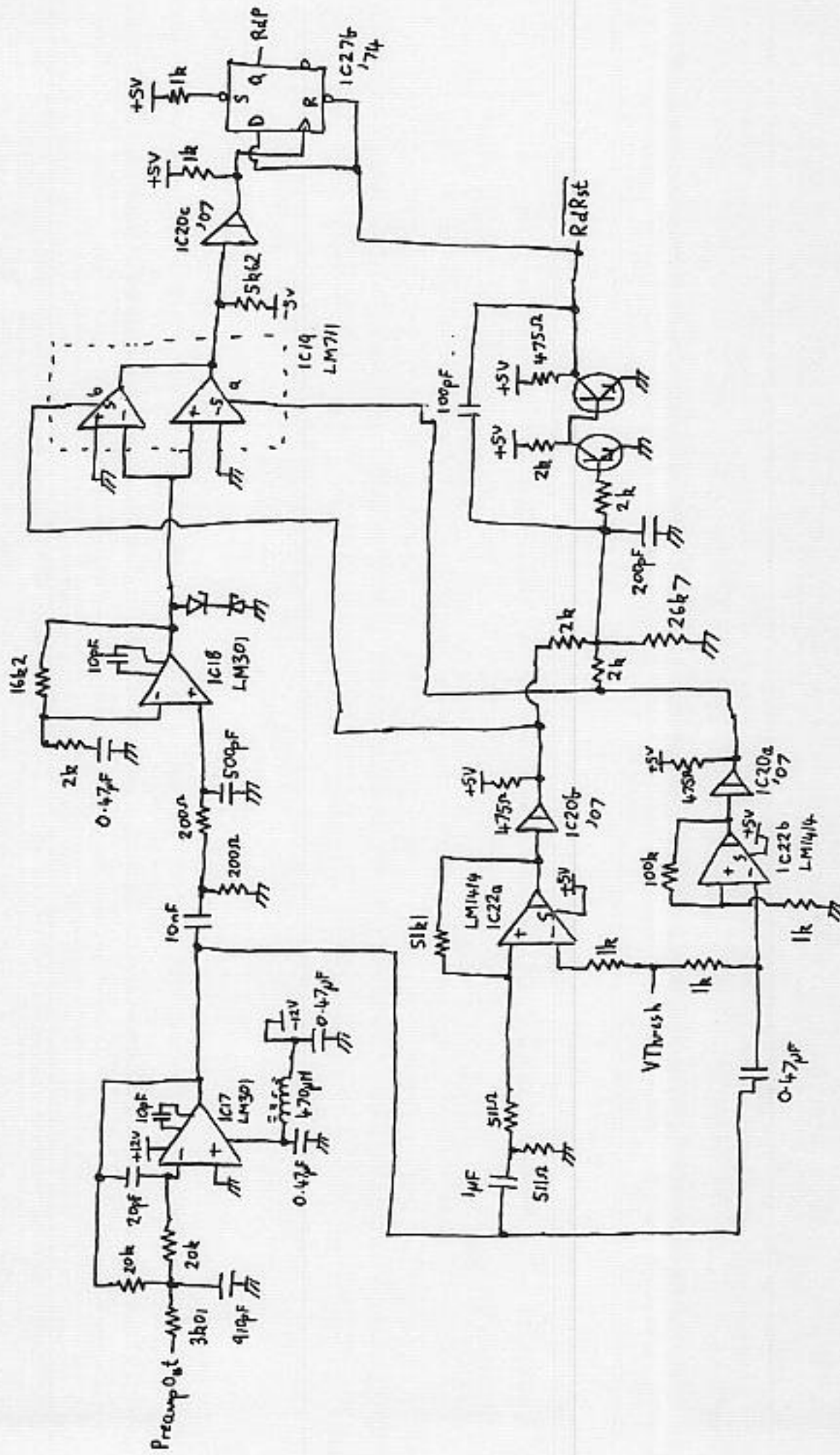


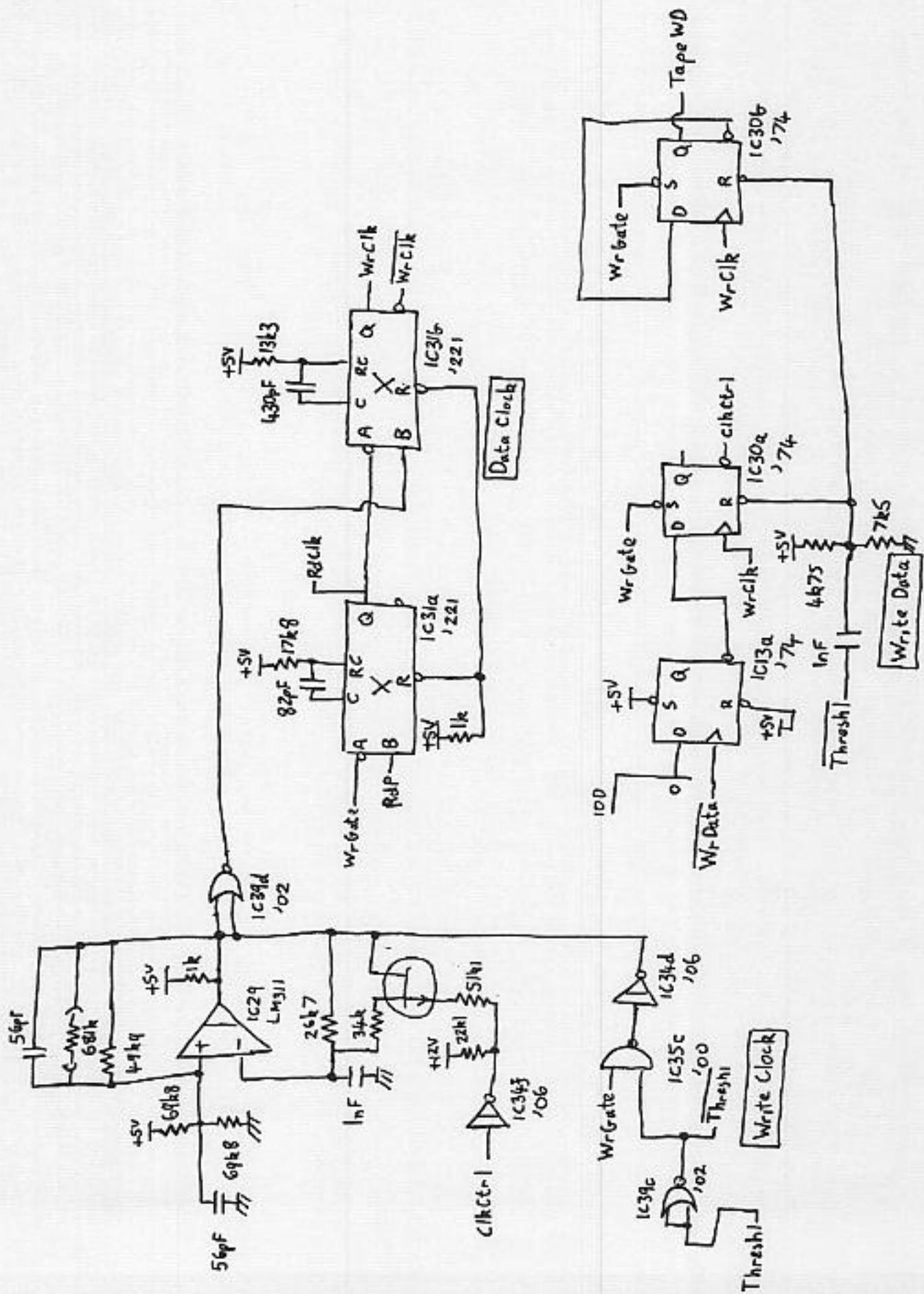
Power Input

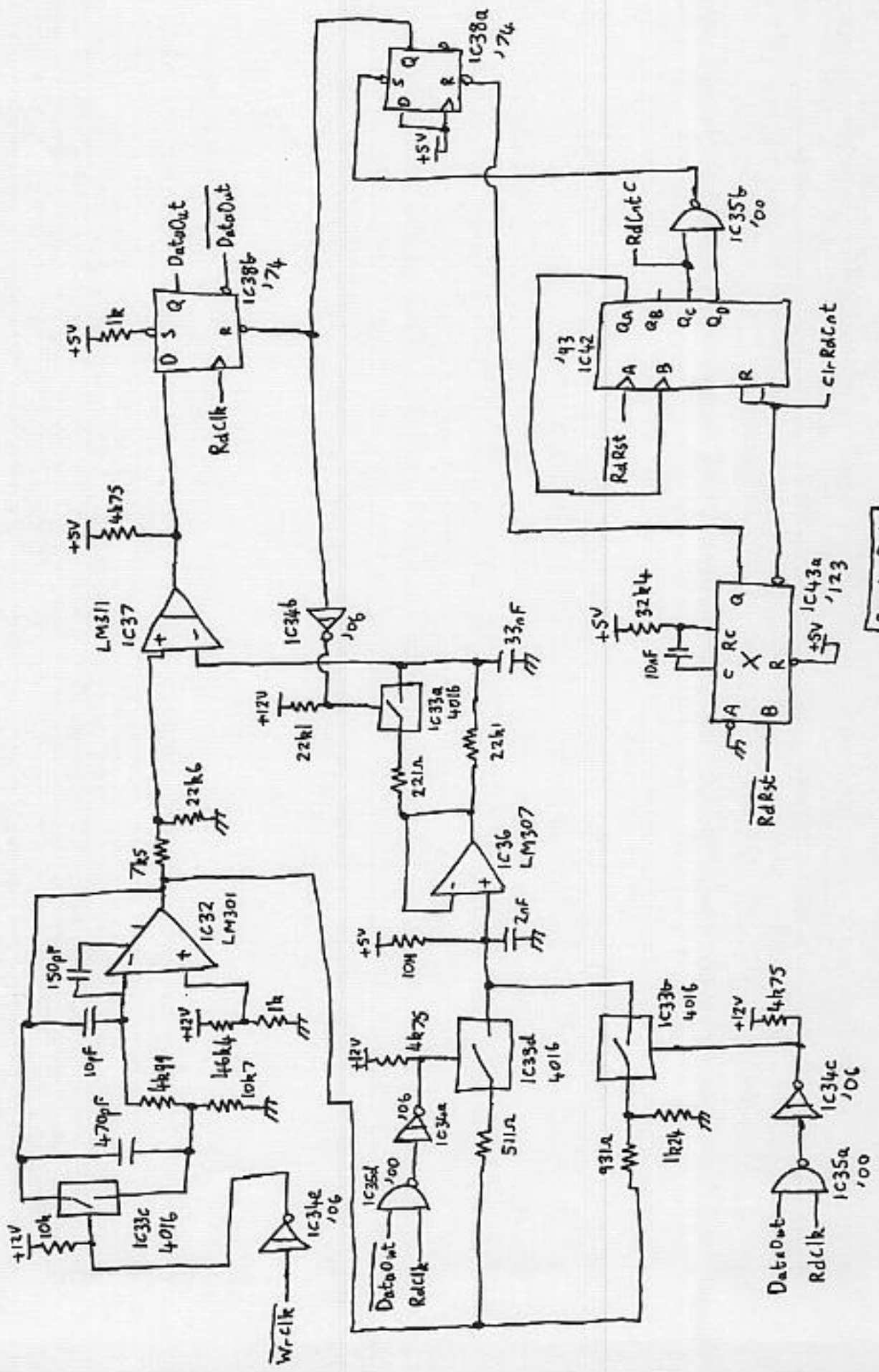
[P. no. 4825
I/O BUS]

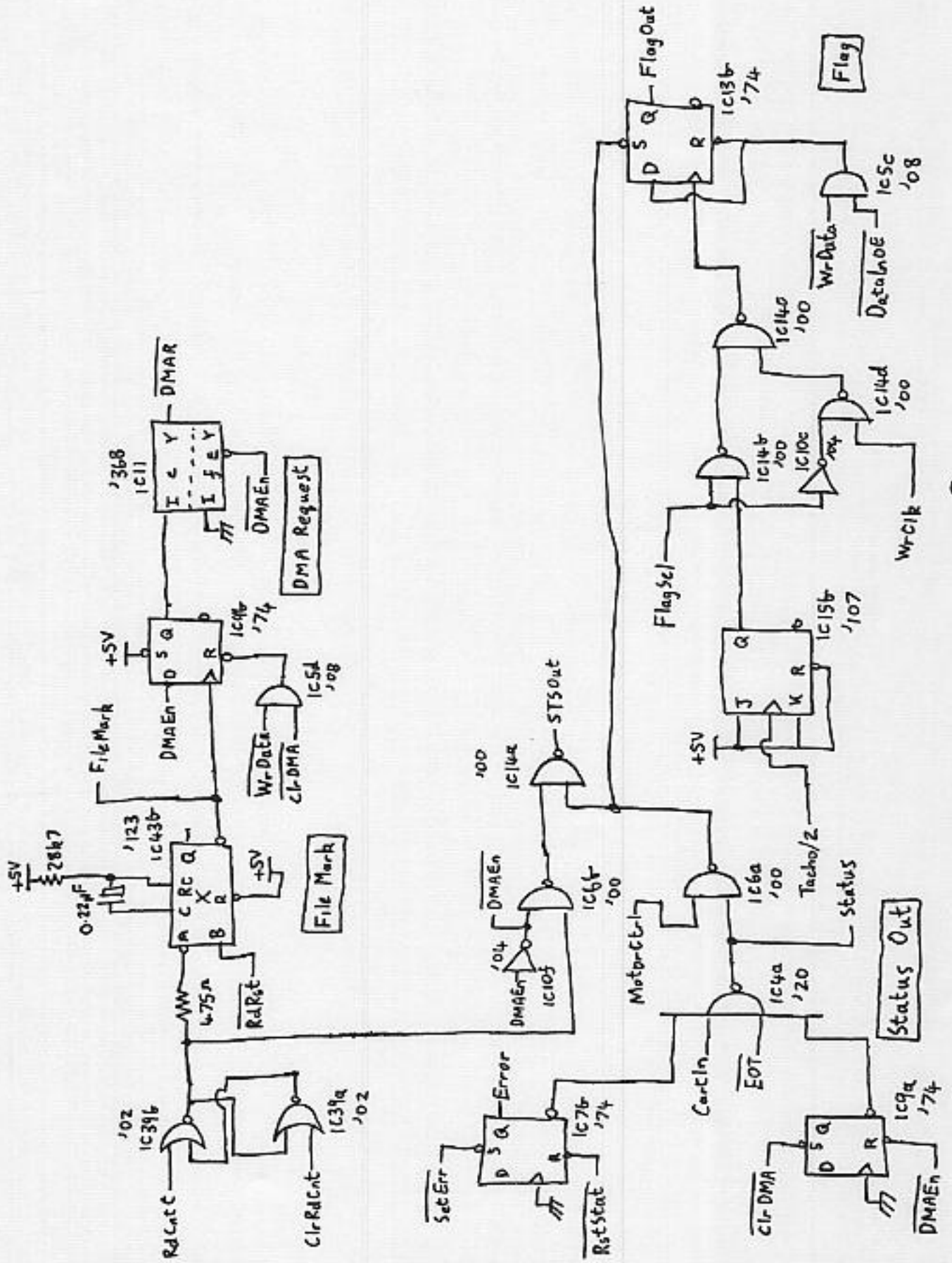


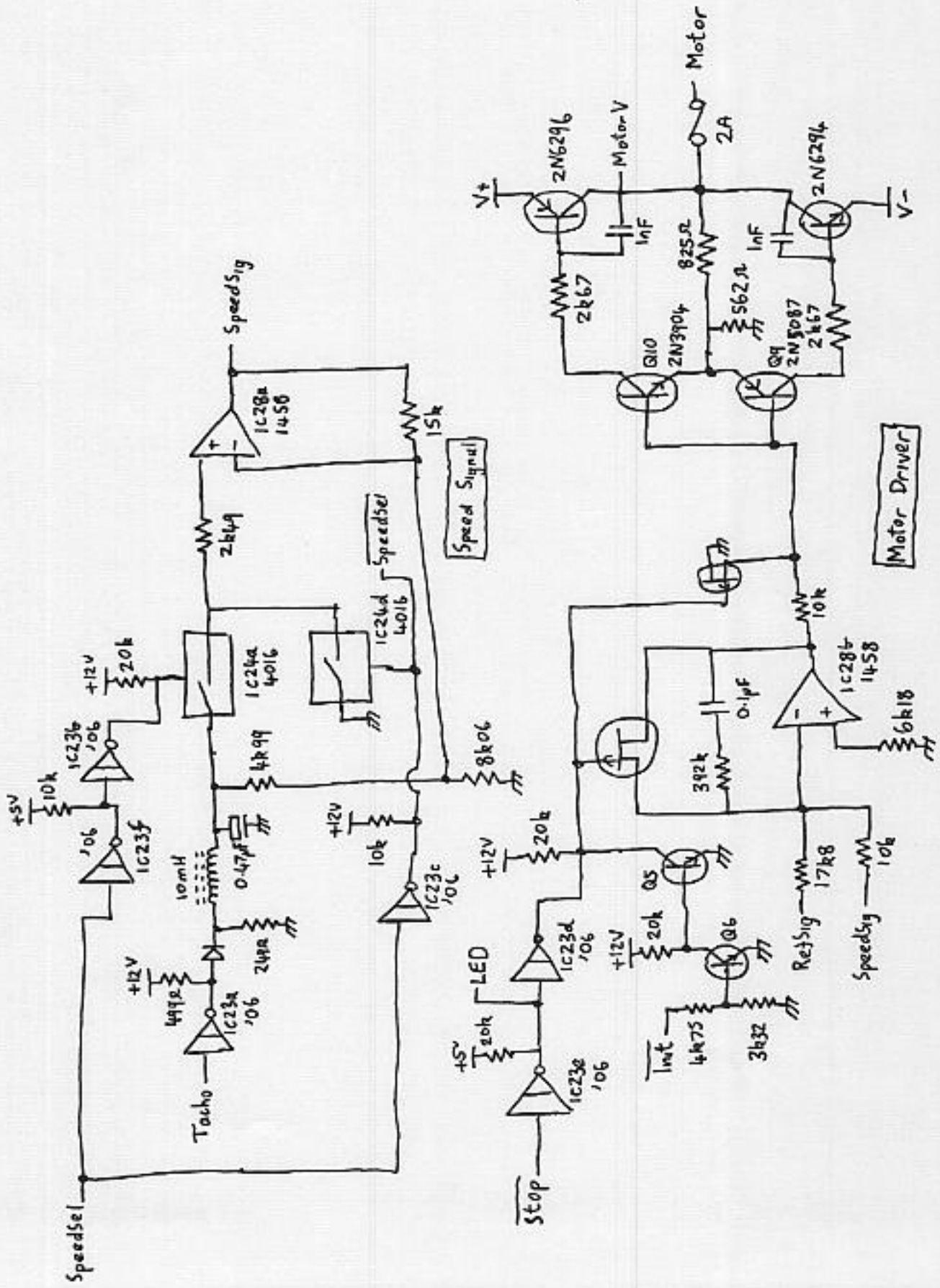


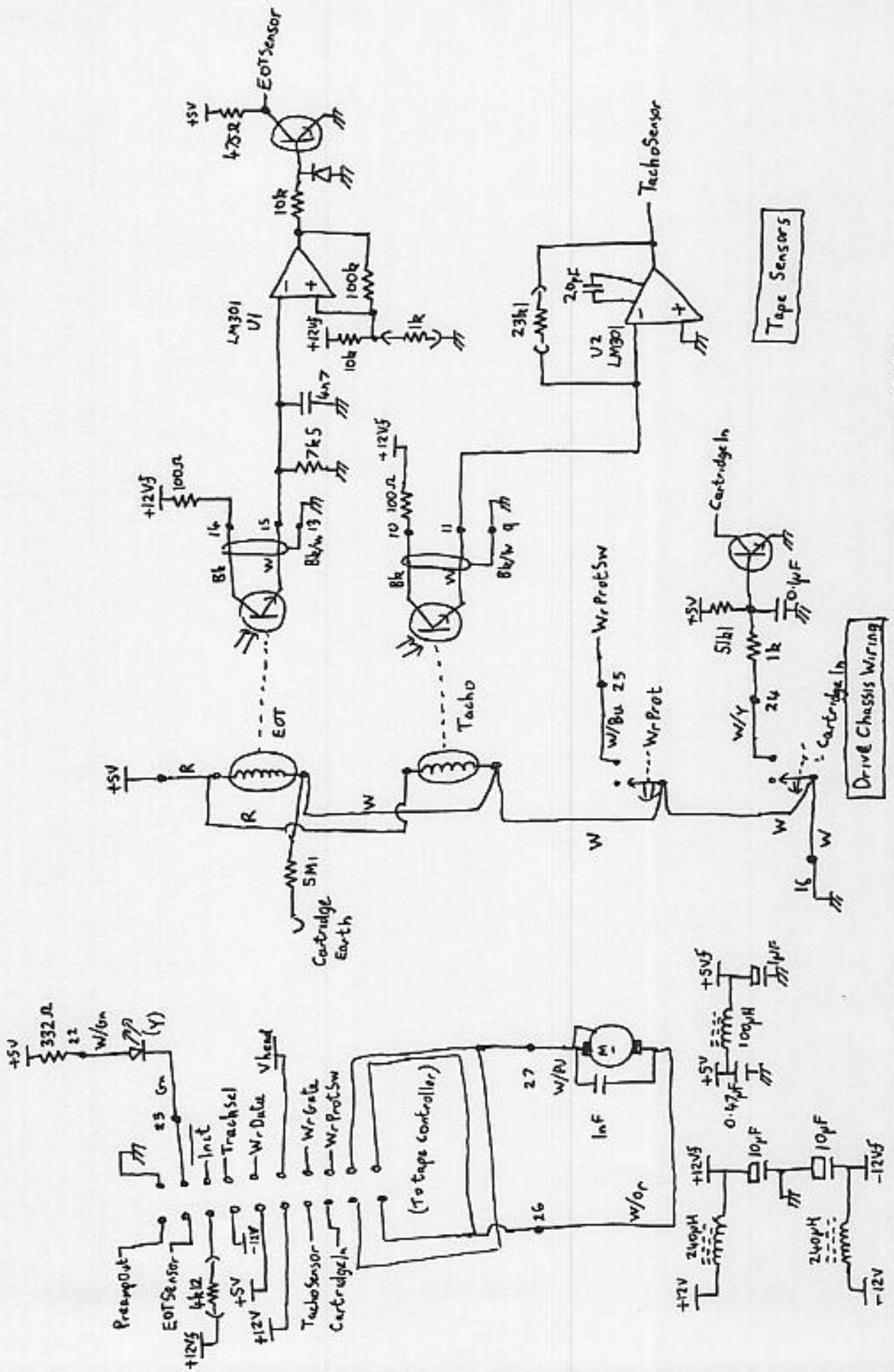


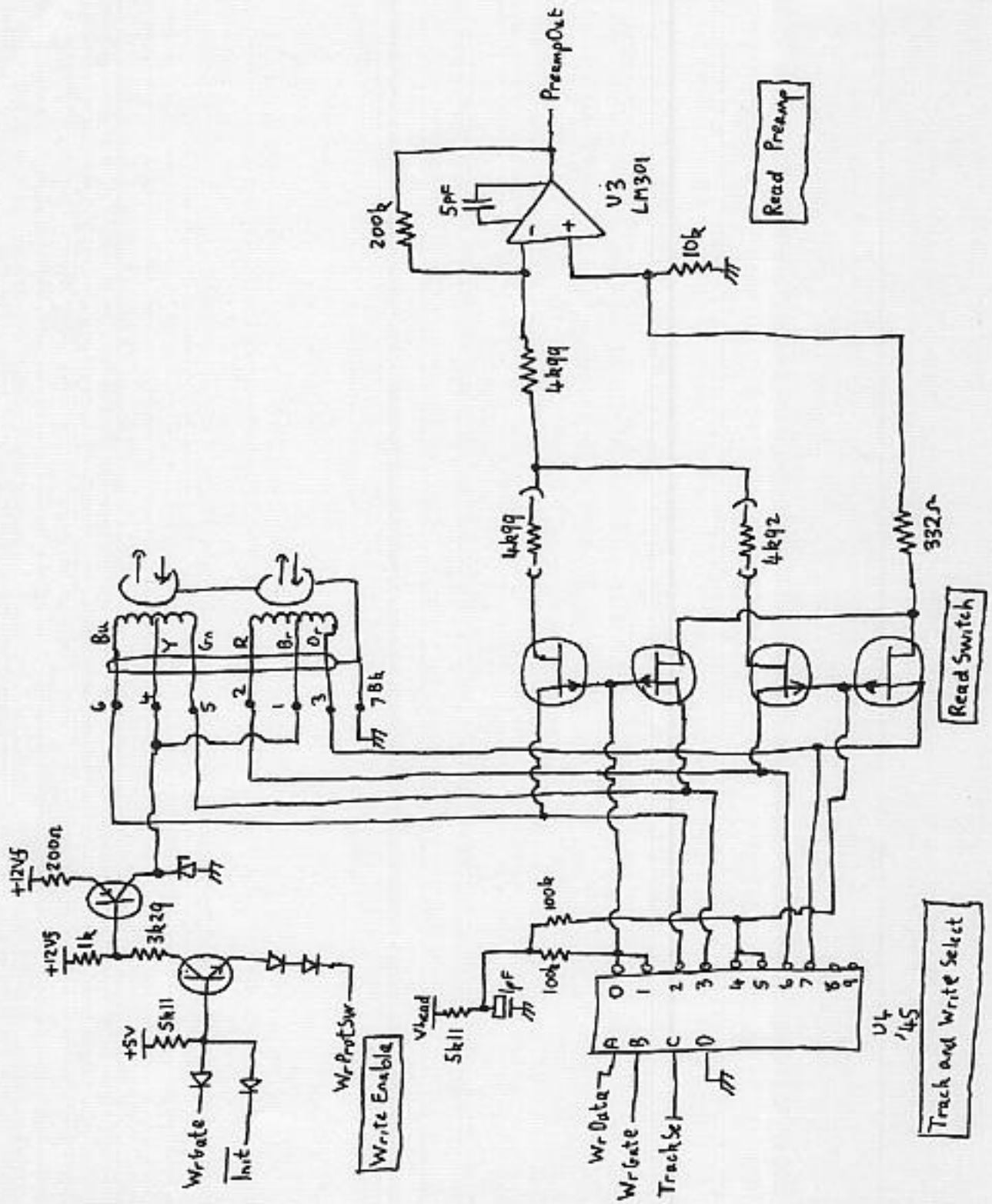


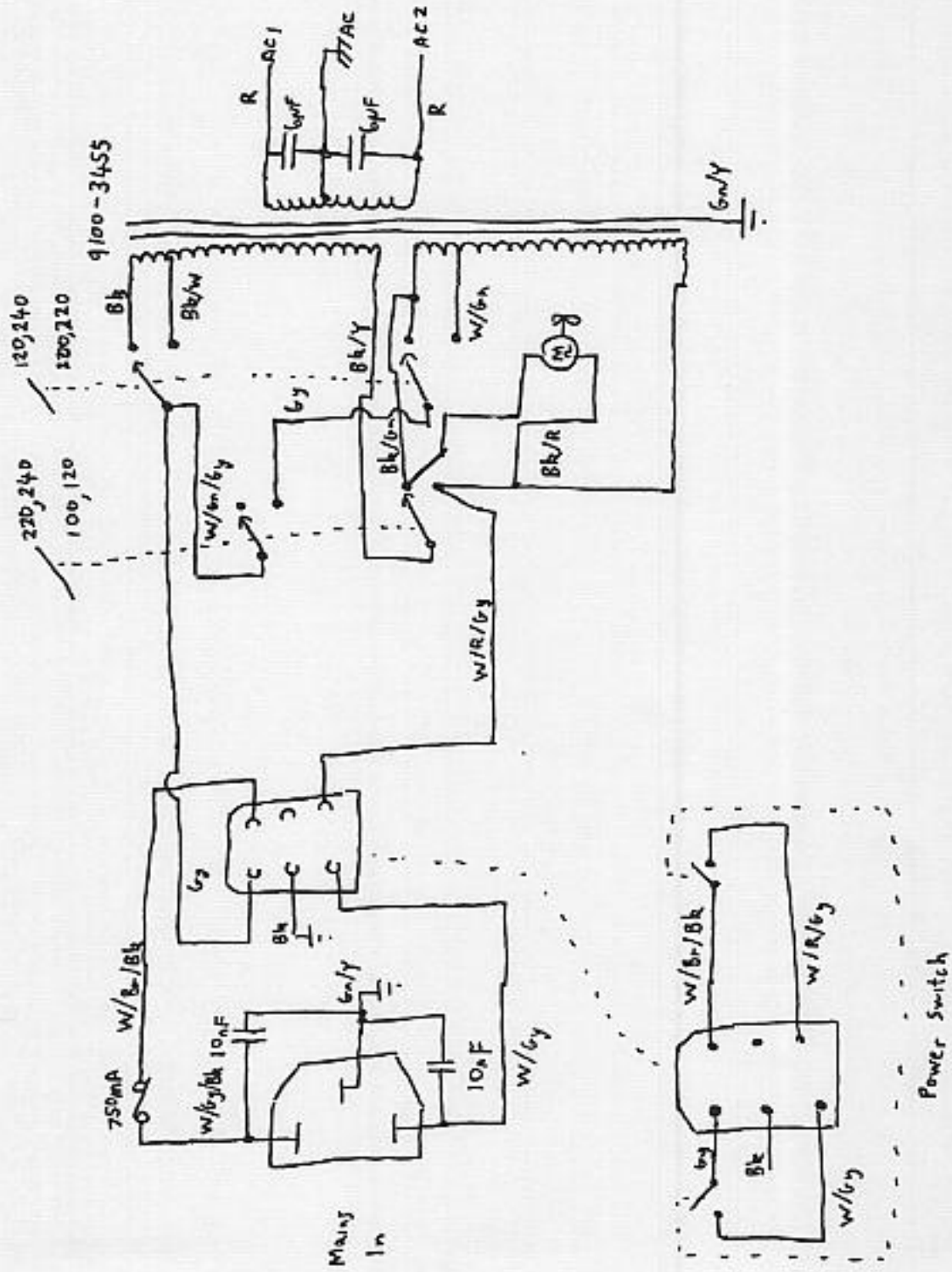


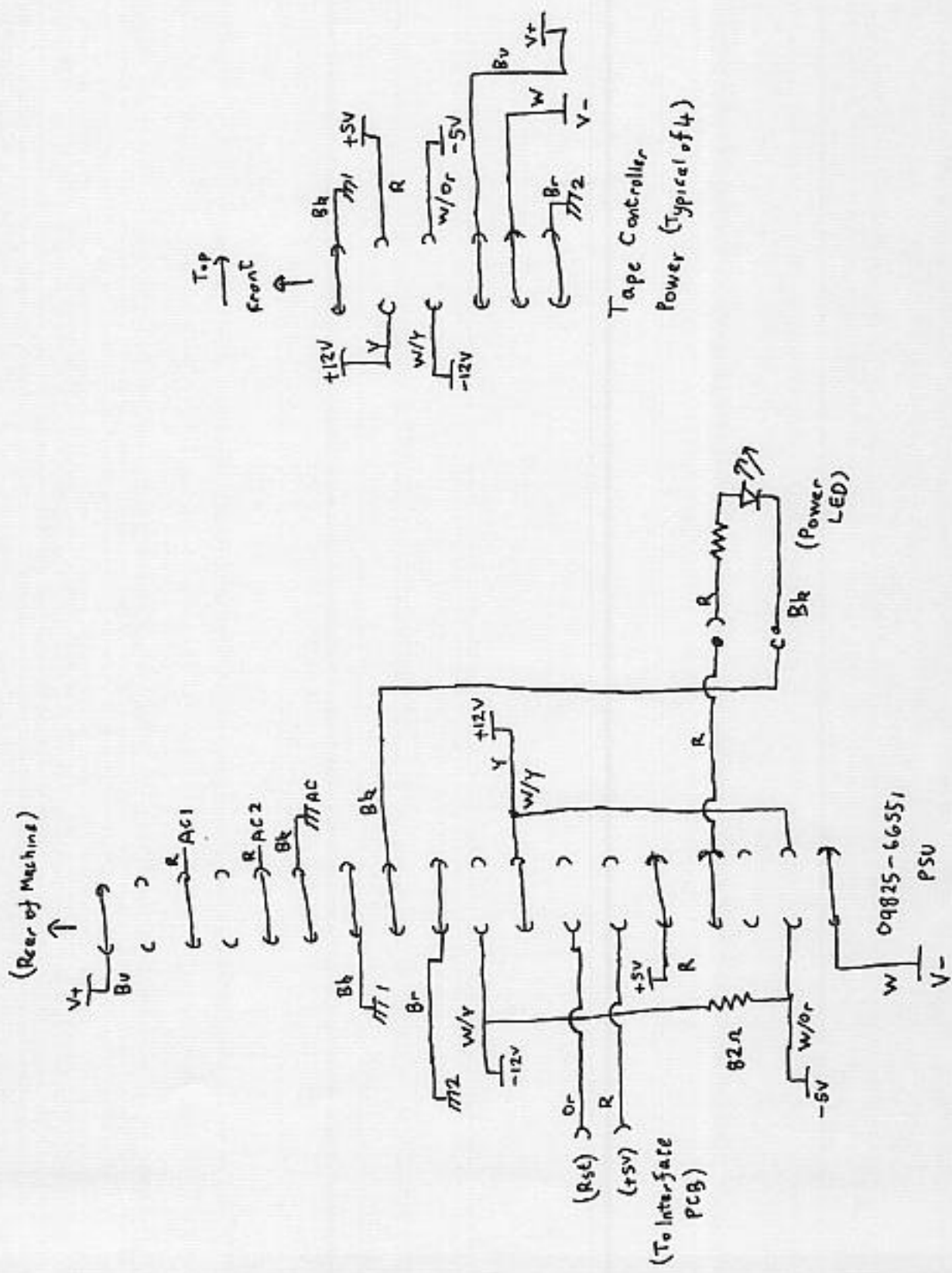




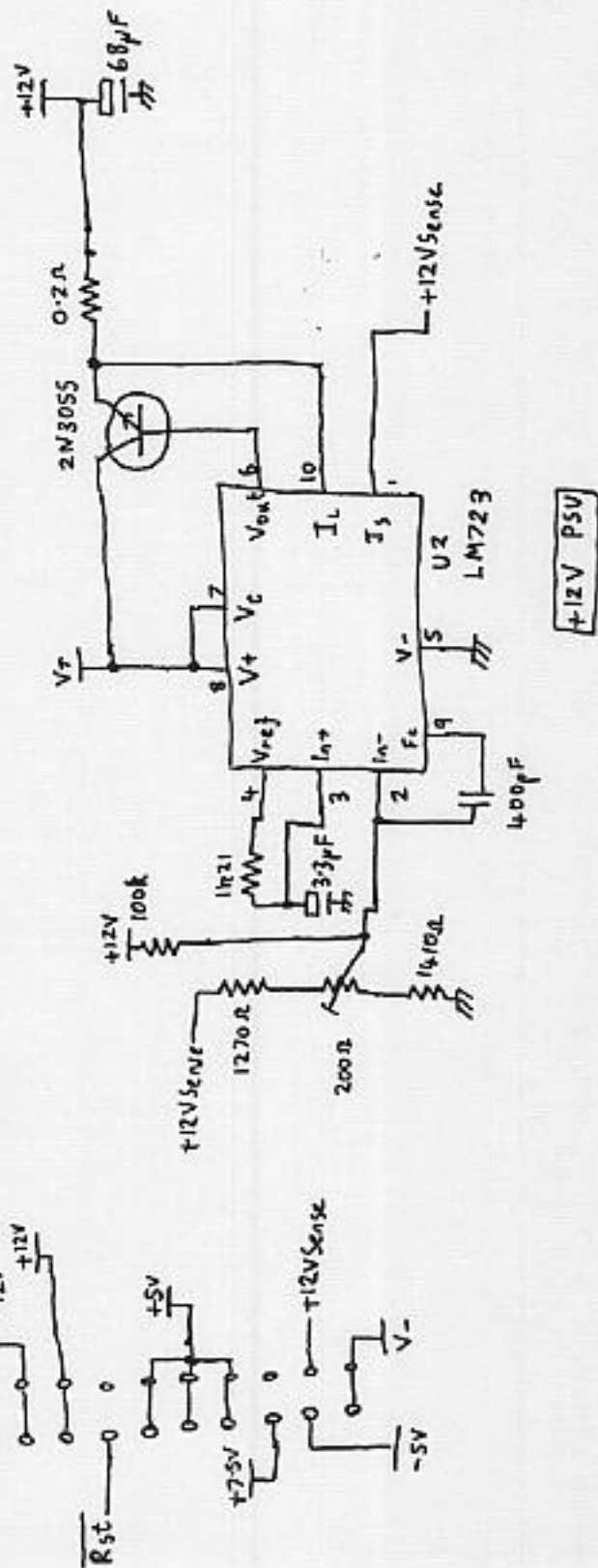
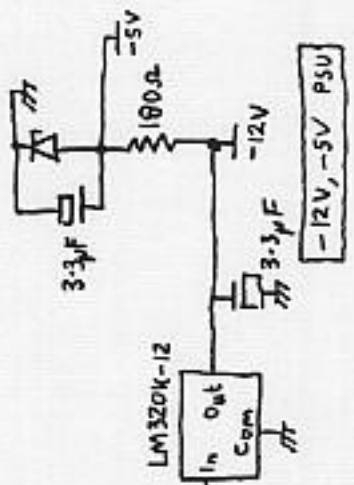
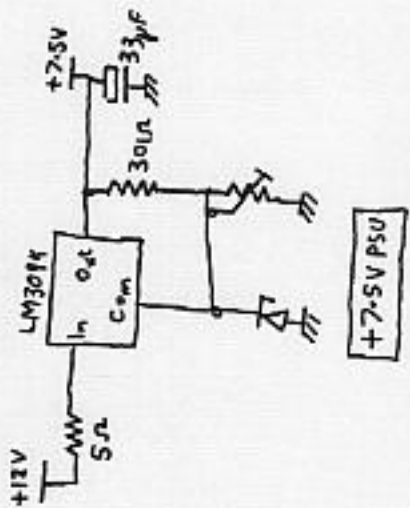


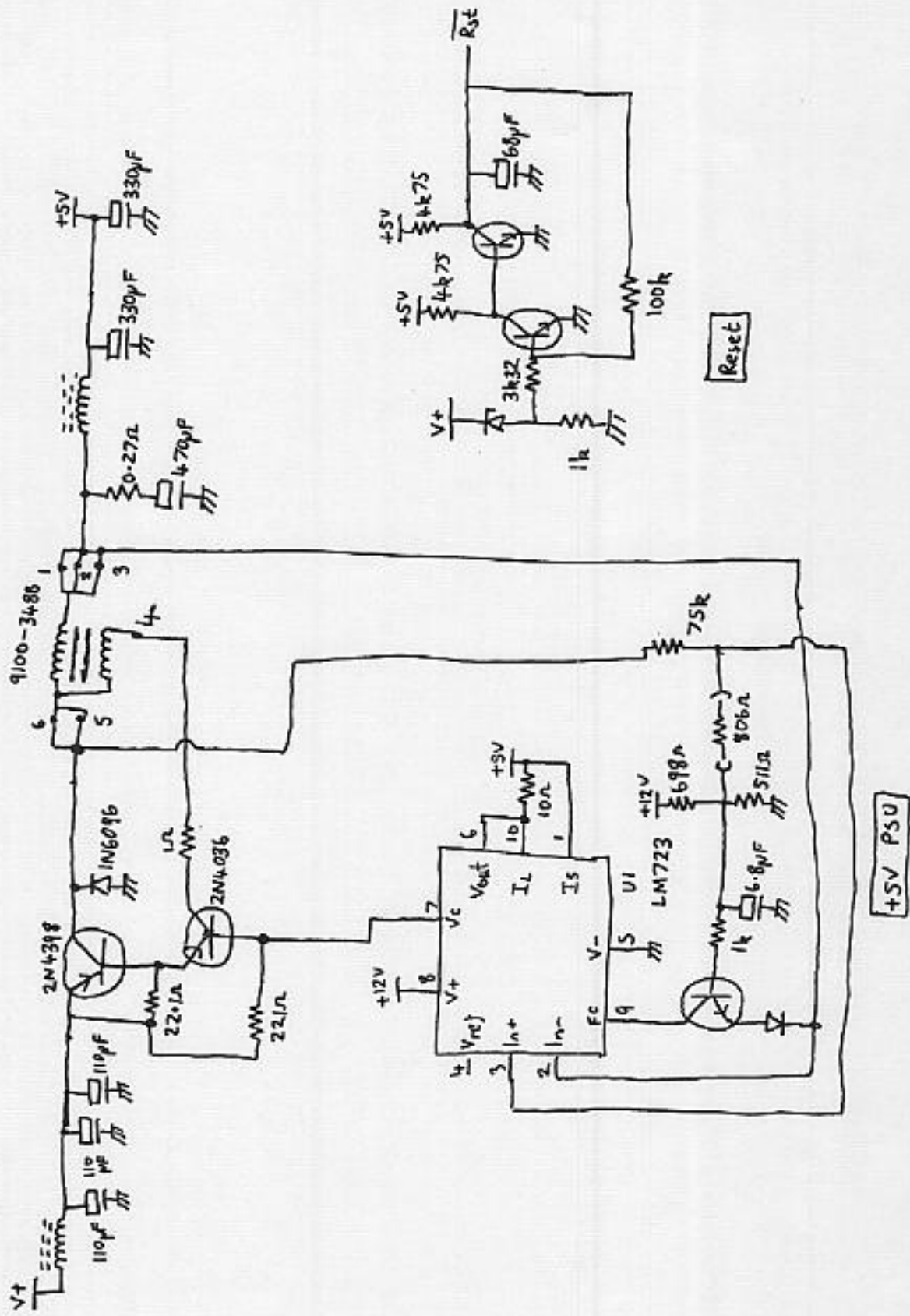






(Rear of Machine)





O 9825 - 66551

HP9877 PSU sheet 2