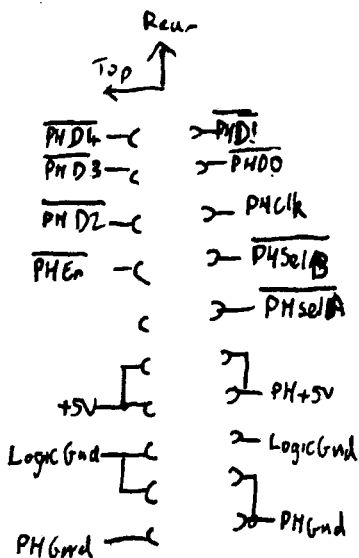
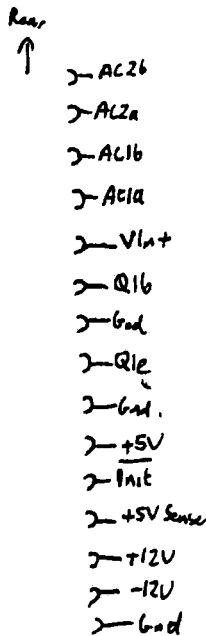


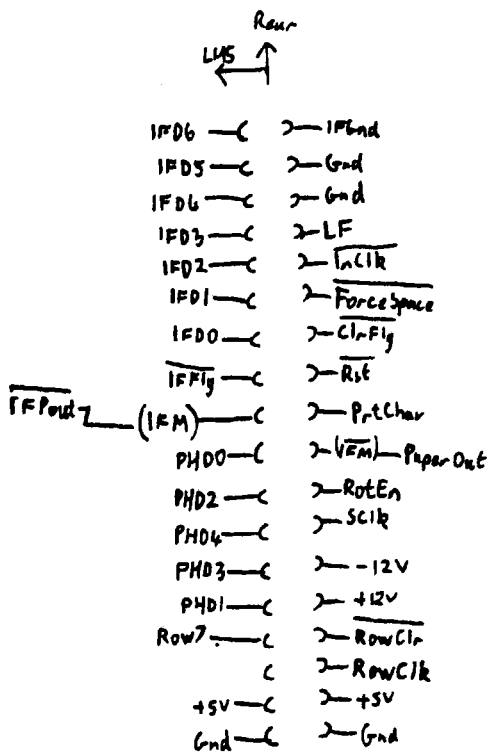
9866 Printer



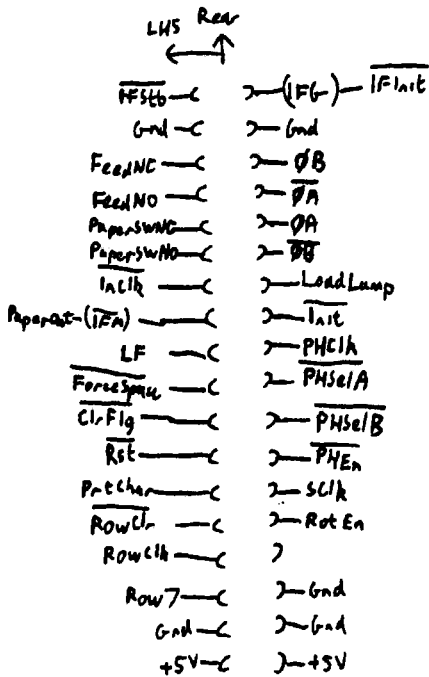
PH Driver -> Backplane.
09866-66506



Logic PSU
09866-66503



Data Path
09866-66501



Control
09866-66502

9866 Printer

↑ Rear

- 2-AC6C
- 2-AC3A
- 2-AC3B
- 2
- 2-Logic Gnd
- 2
- 2-a- $\overline{\text{PA}}$
- 2-b- $\overline{\text{PB}}$
- 2-c- PA
- 2-d- PB

Motor Driver
09866-66505

↑ Rear

- 2-12V
- 2-+12V
- 2-+5V
- 2-Logic Gnd
- 2
- 2-Q2b
- 2
- 2-Q2c
- 2-V7
- 2
- 2
- 2-V-, Dia
- 2
- 2-PH+
- 2
- 2-PH Gnd
- 2
- 2-Q2c, D1k

Printhead PSU
09866-66504

Rear
↑ → Top

- $\overline{\text{PB}}$ - d - C 2-Paper SW NO
- $\overline{\text{PA}}$ - a - C 2-Paper SW NC
- $\overline{\text{PA}}$ - c - C 2-Feed NO
- $\overline{\text{PB}}$ - b - C 2-Feed NC
- 2
- Logic Loop
- AC26 - C 2-Q1c, Vin+
- AC27 - C 2-Q1b
- AC16 - C 2
- AC14 - C 2-Q1c
- +12V - C 2-+5V - FP
- 12V - C 2-+5V PHPSU
- Paper SW Gnd - C 2-+5V PHPSU
- Motor Dr Gnd - C 2-Gnd - FP
- PHPSU Gnd - C 2-Gnd - PHPSU
- Vin - Gnd - C 2-Gnd - Vin

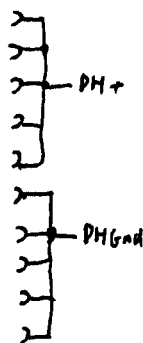
Buckplane → Chassis

RHS
↑ Top

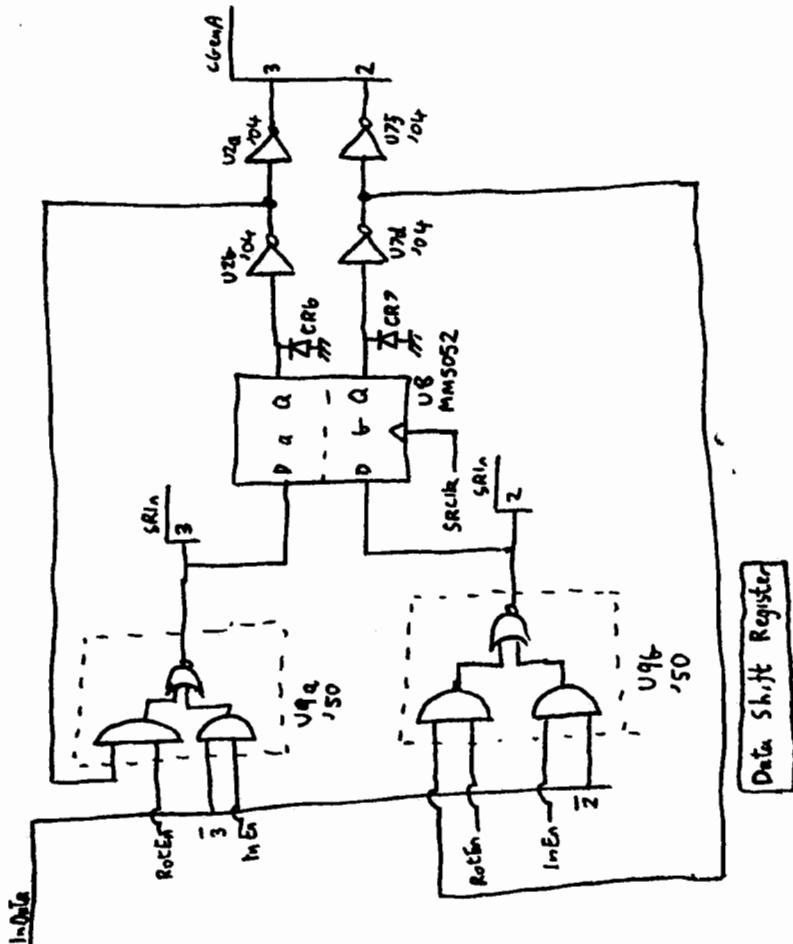
- SEB A - C 2-G - Tact
- D6 C - C 2-V Gnd
- D1 E - C 2-L DS
- D0 F - C 2-K06
- Fig H - C 2-J09
- PH Gnd - C 2-D02

Interface → Buckplane.

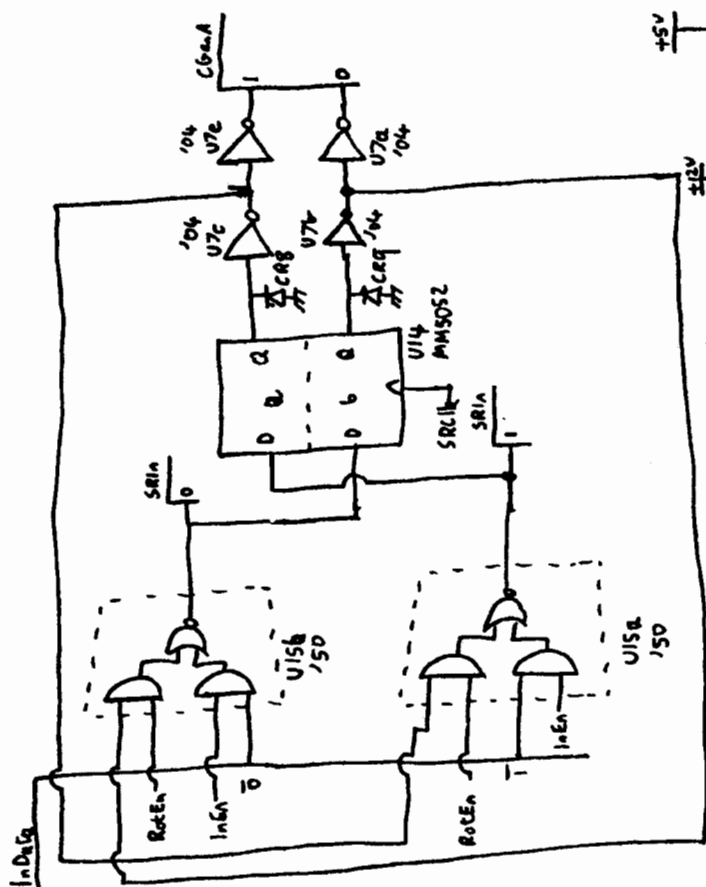
↑ Rear



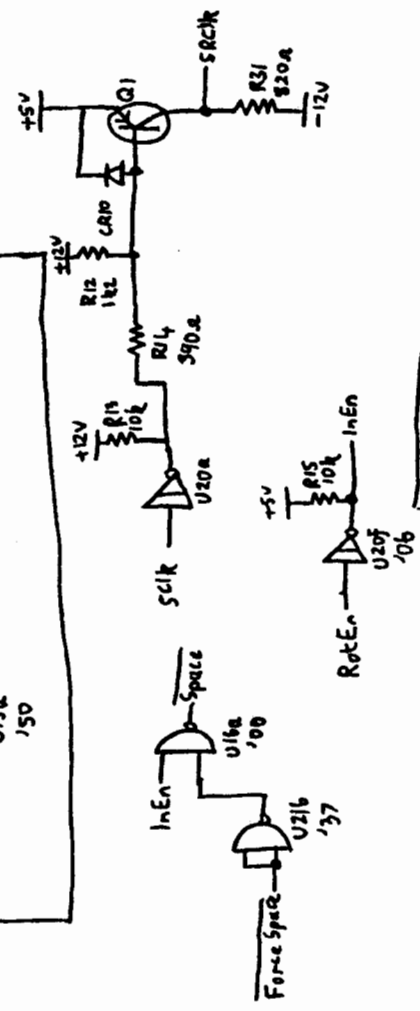
PH Driver → Chassis

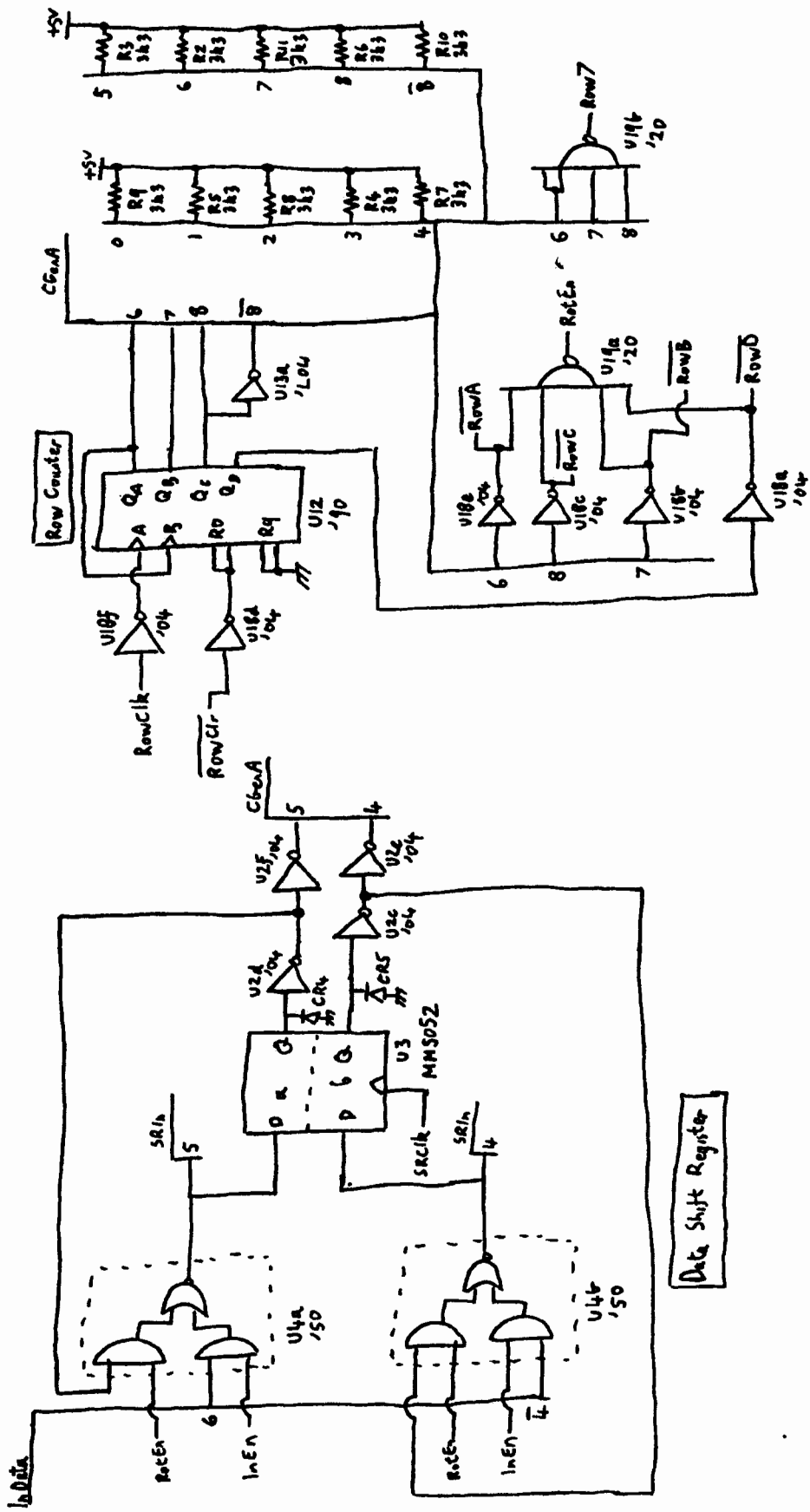


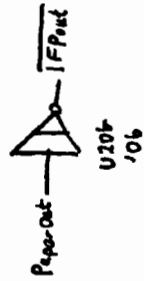
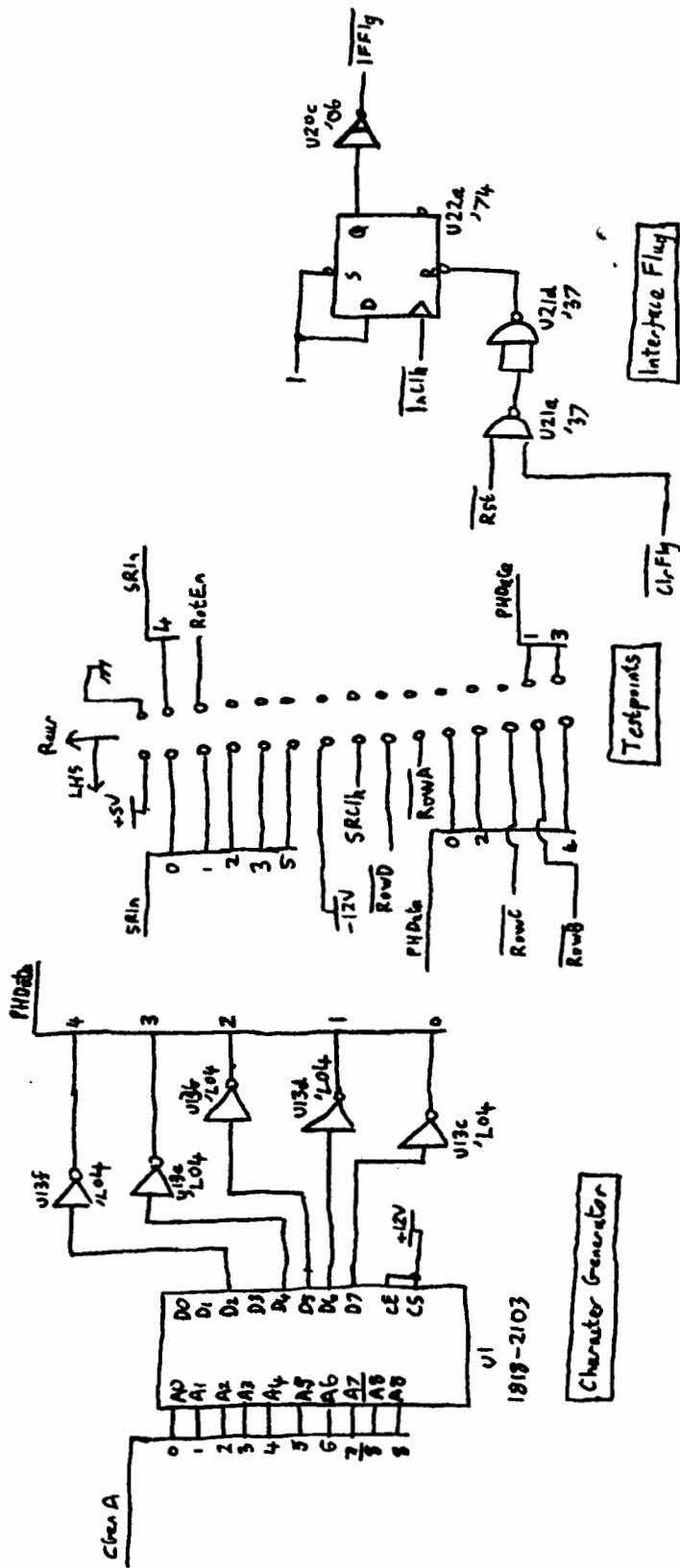
Data Shift Register



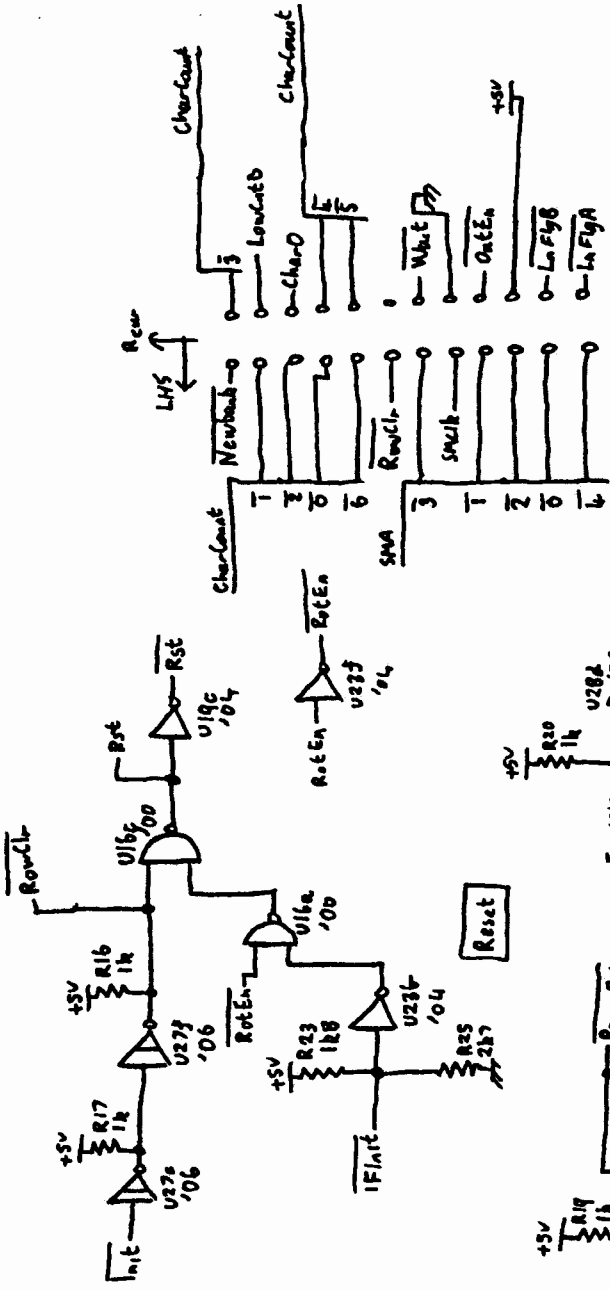
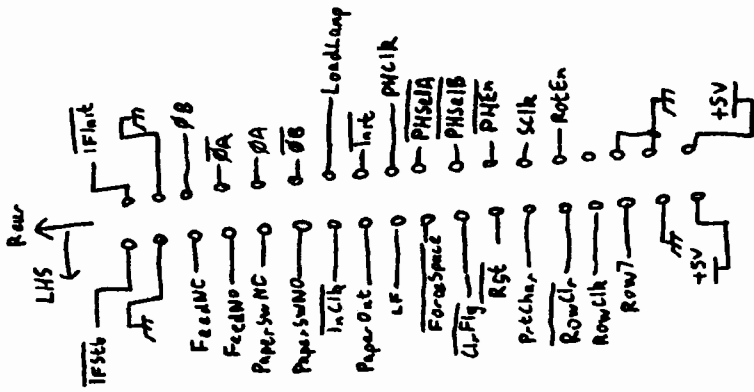
Shift Register Control



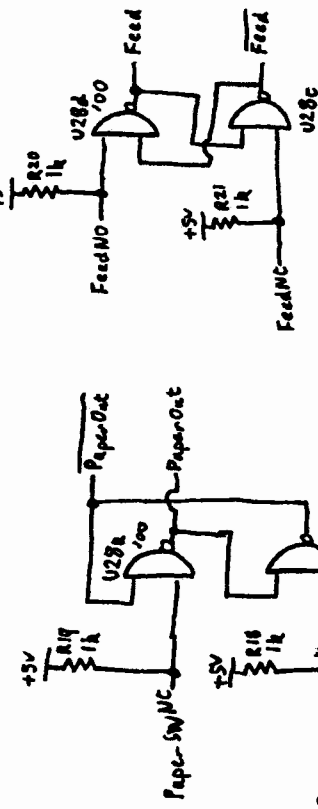




HP9866 Data Path PCB sheet (Rev. 09866-66501)

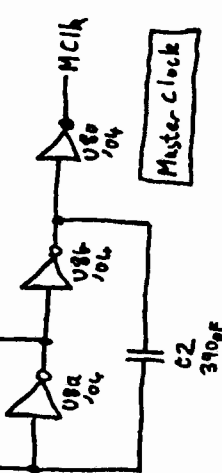


Test points

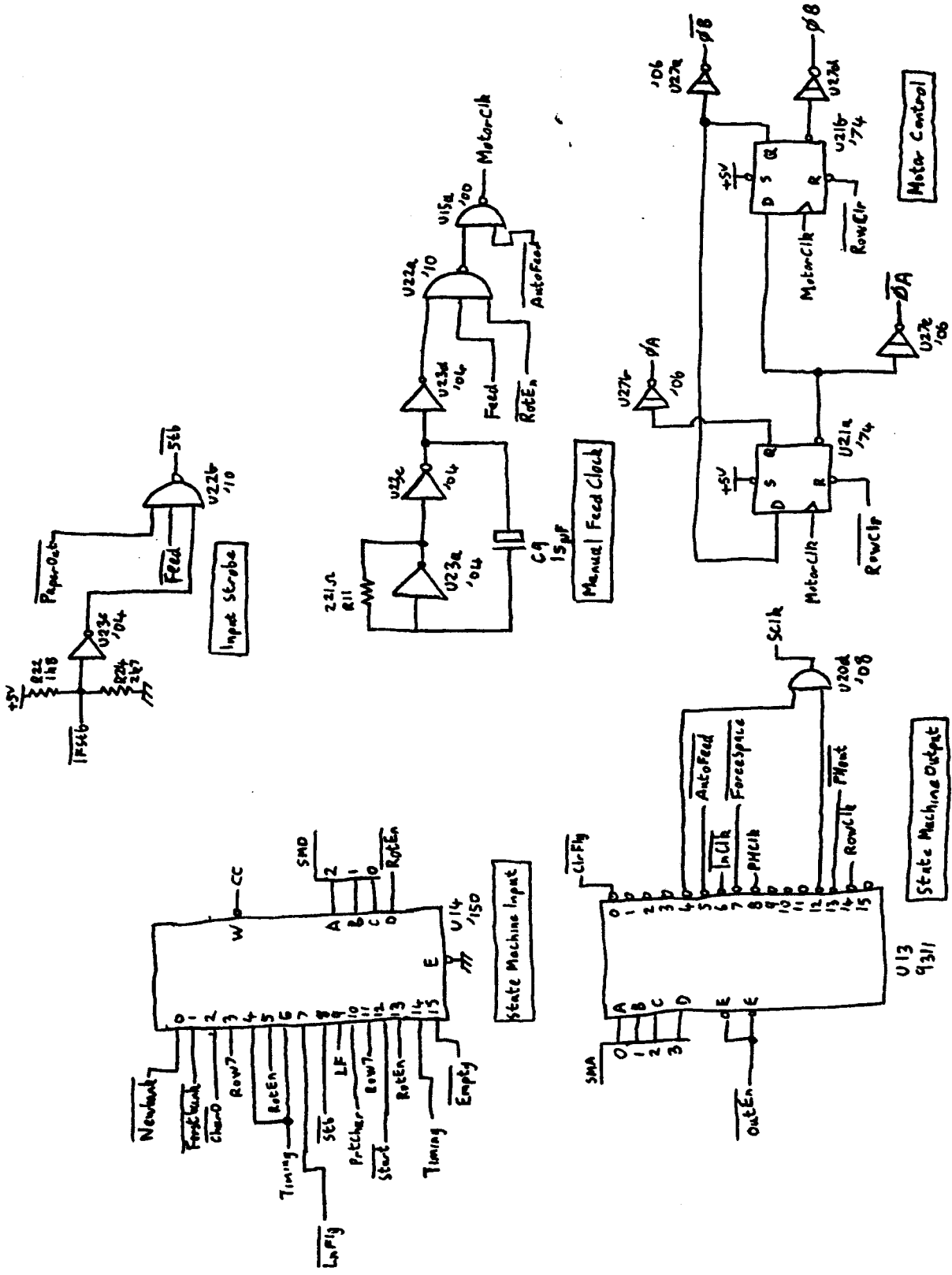


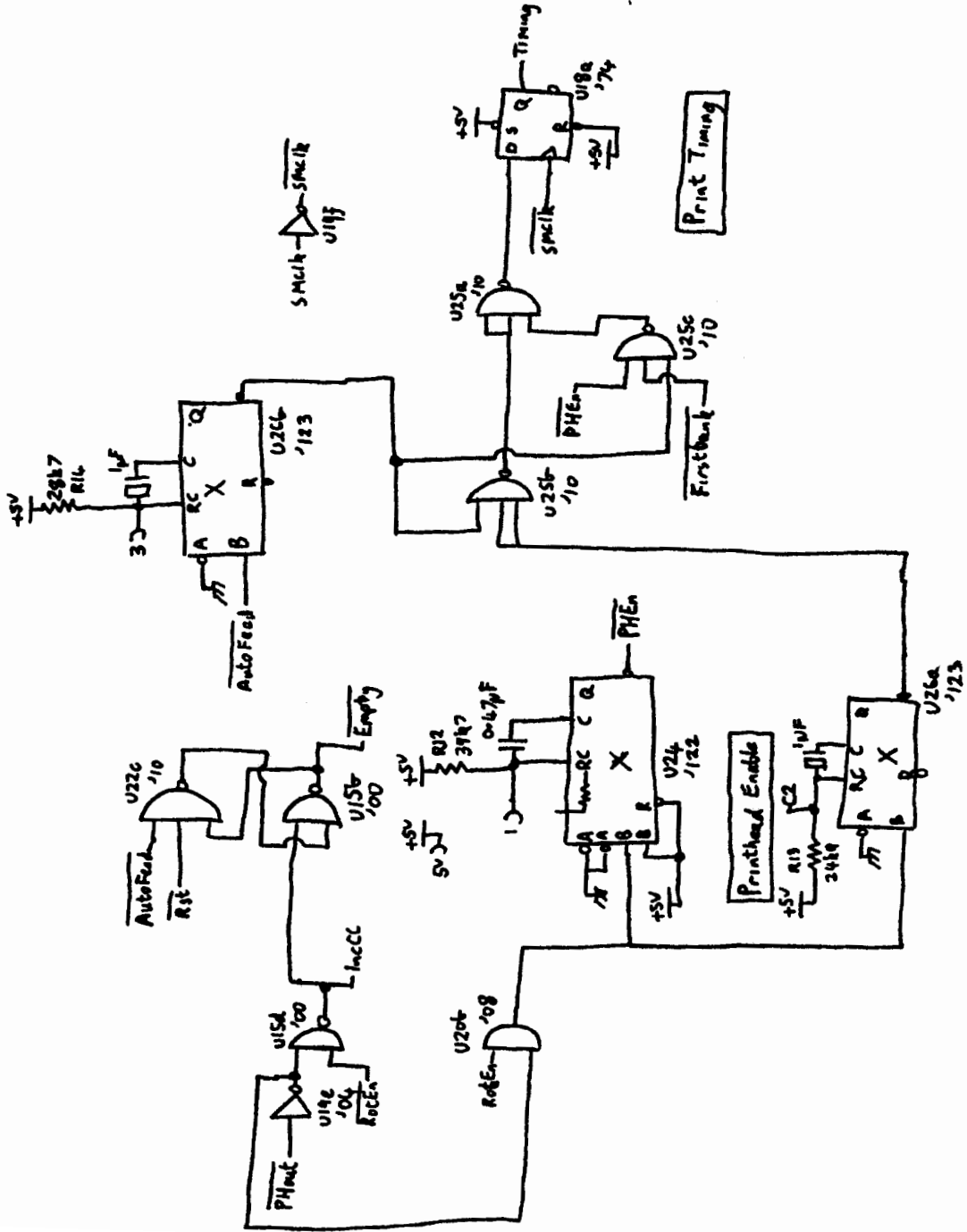
Feed Switch

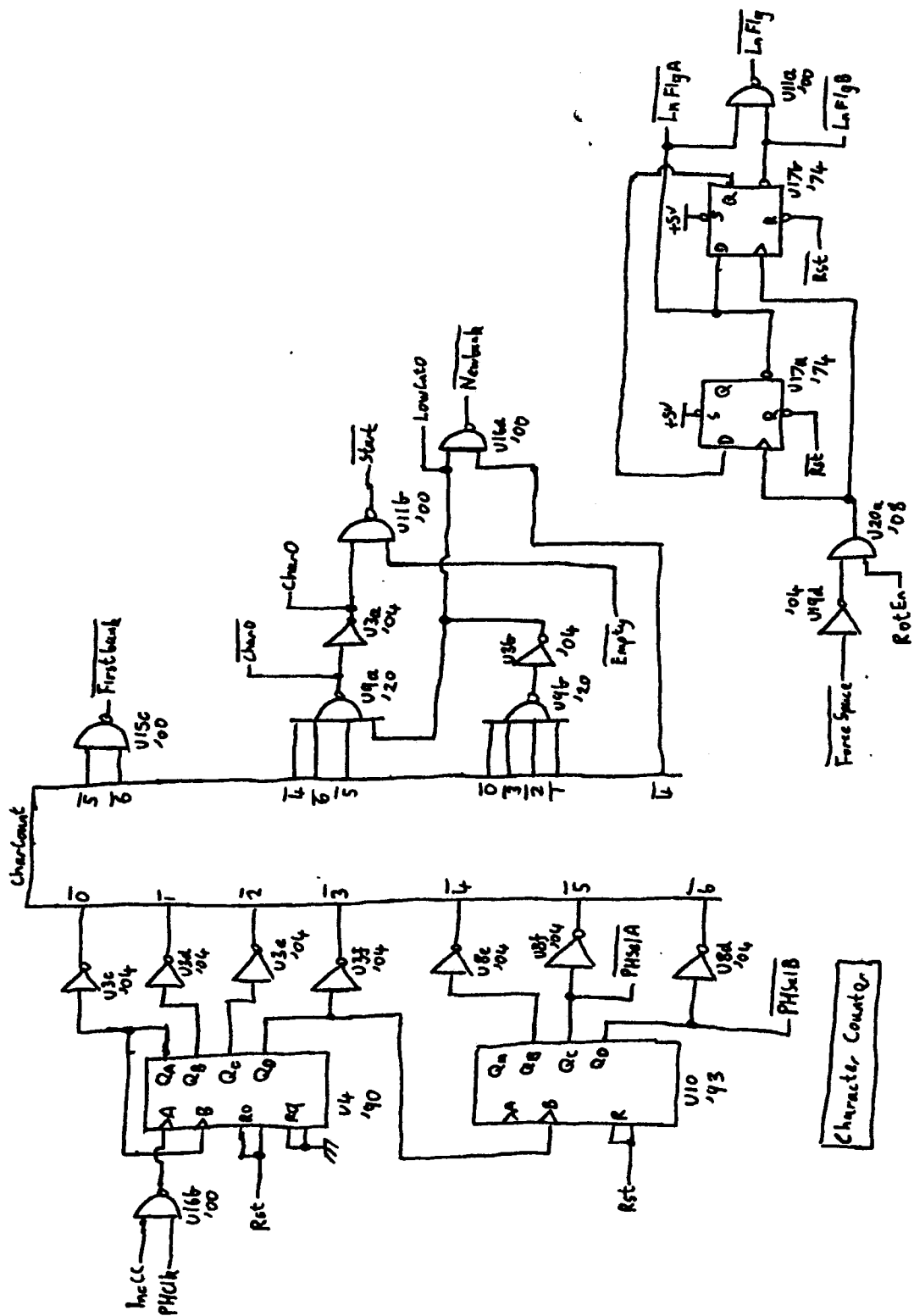
Paper Out

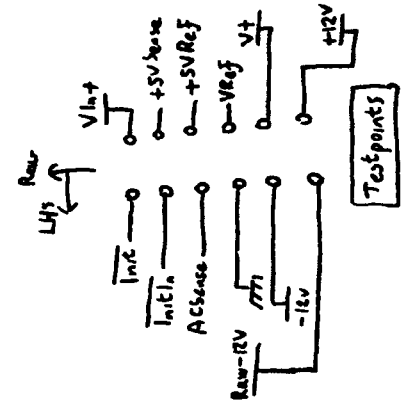
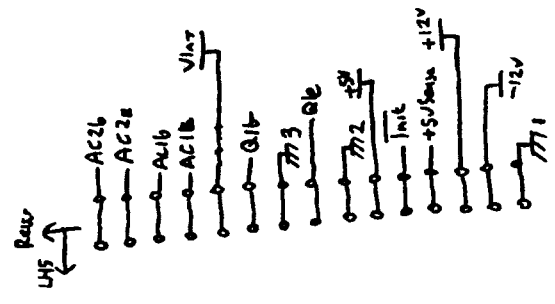
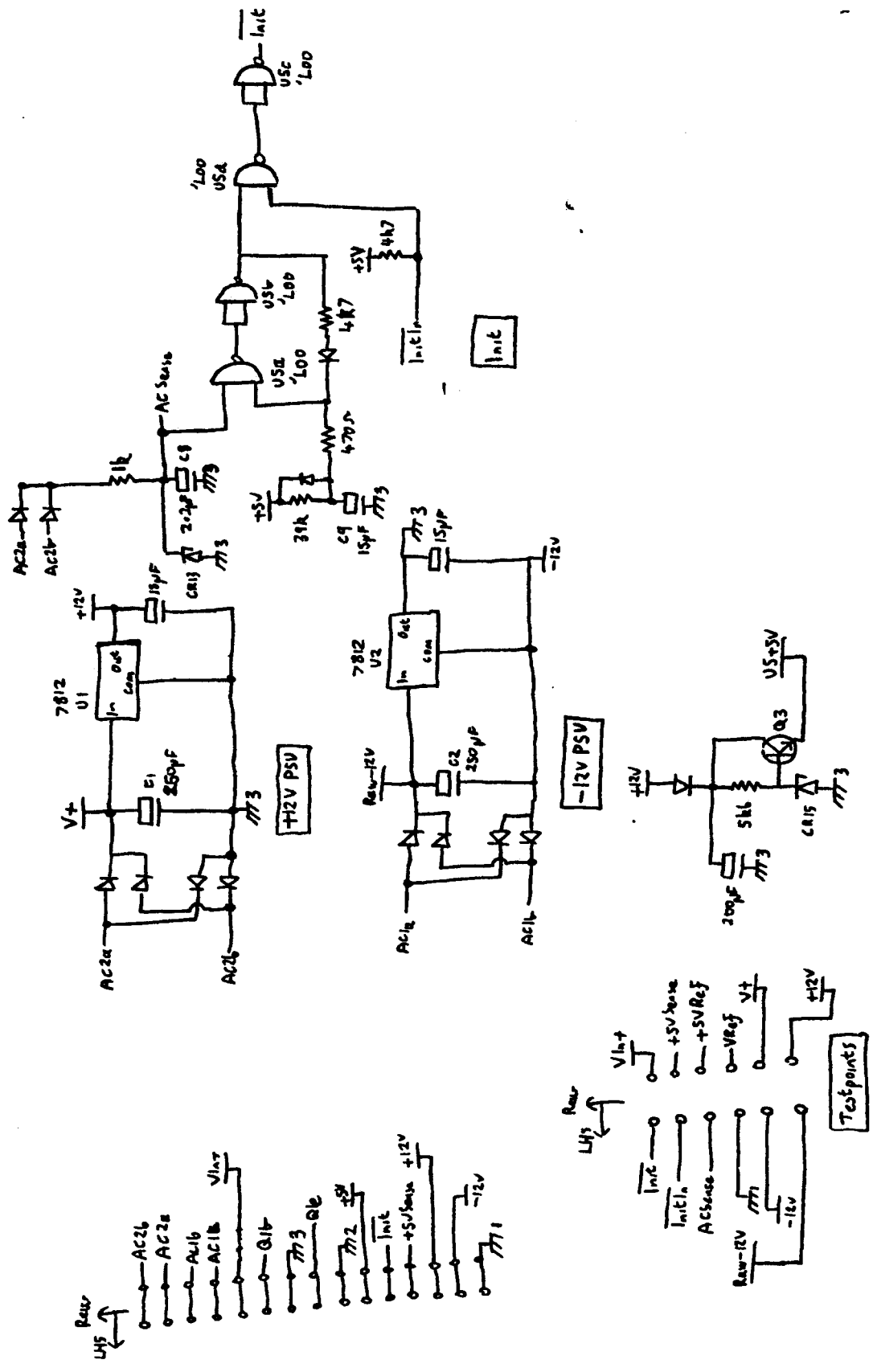


Master-Clock



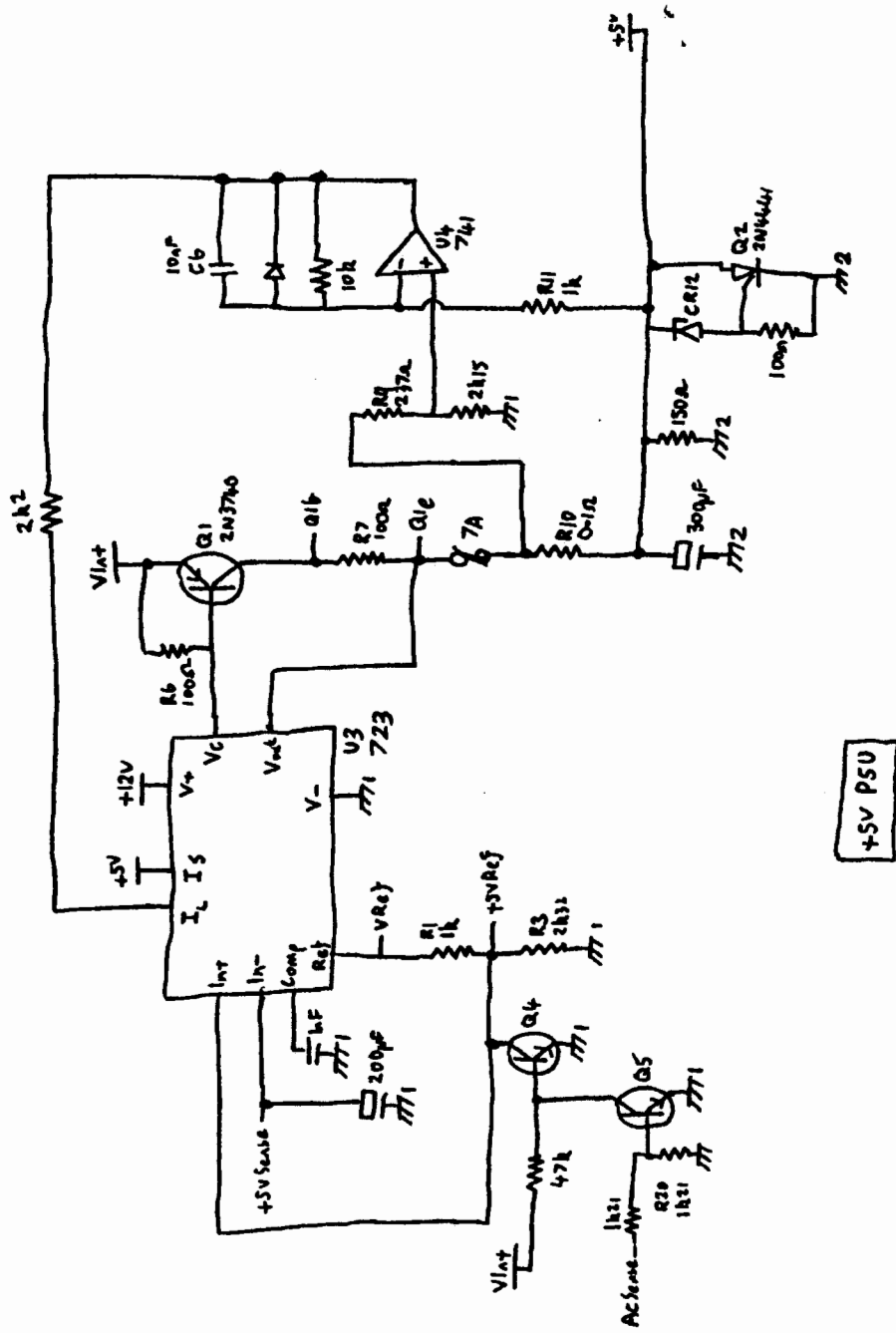




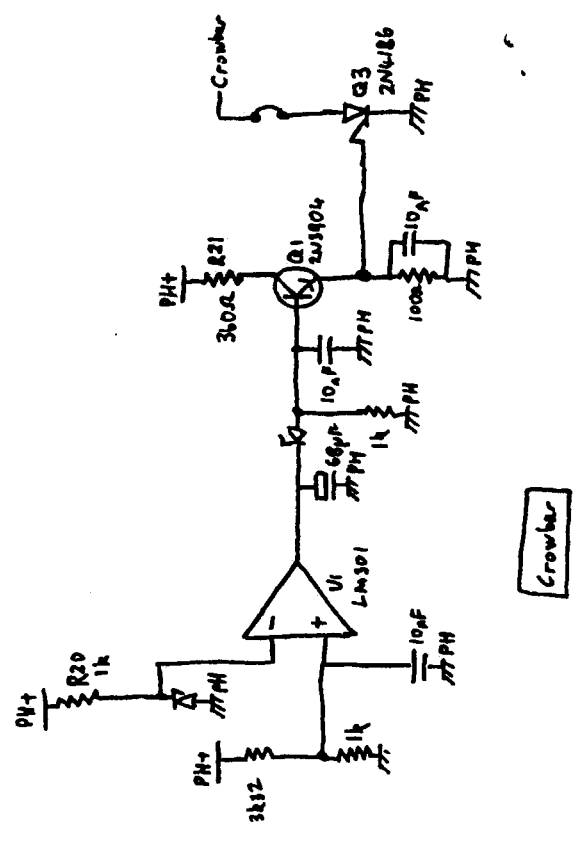
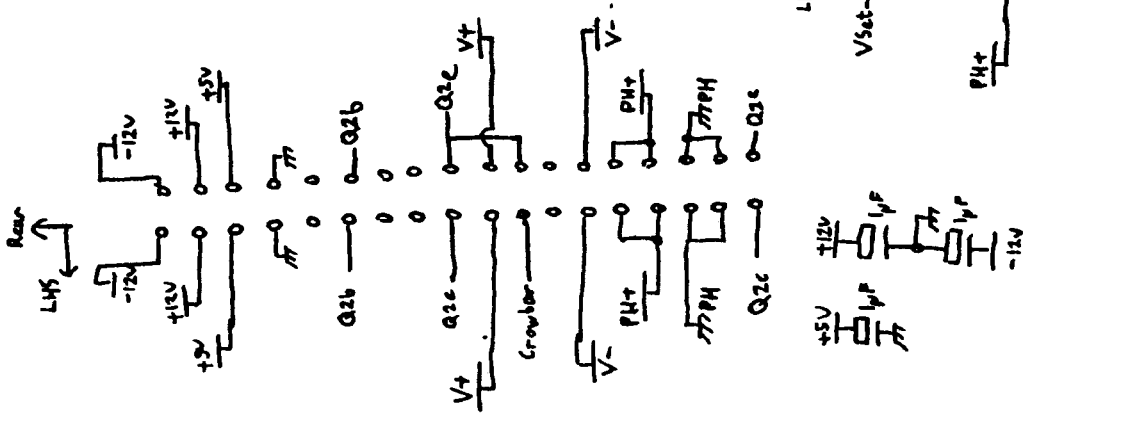


09866-66503

HP9866 Logic PSU Sheet 1 (or)



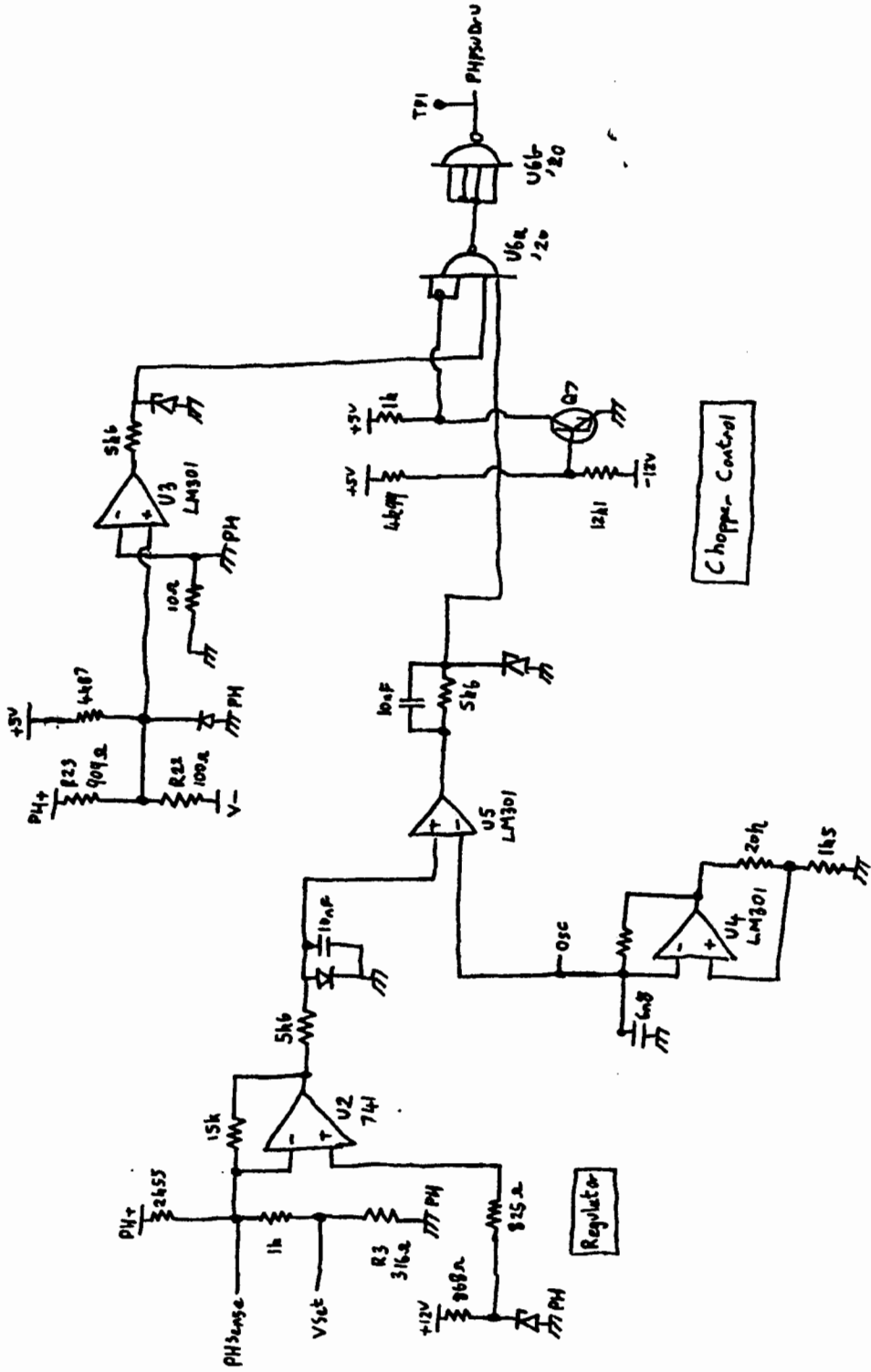
+5V PSU

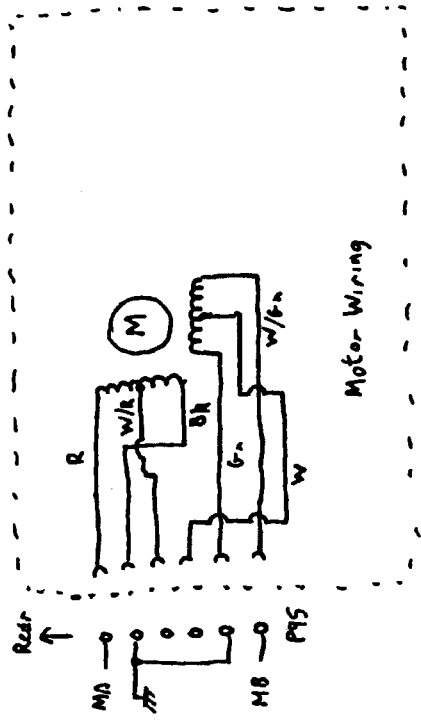
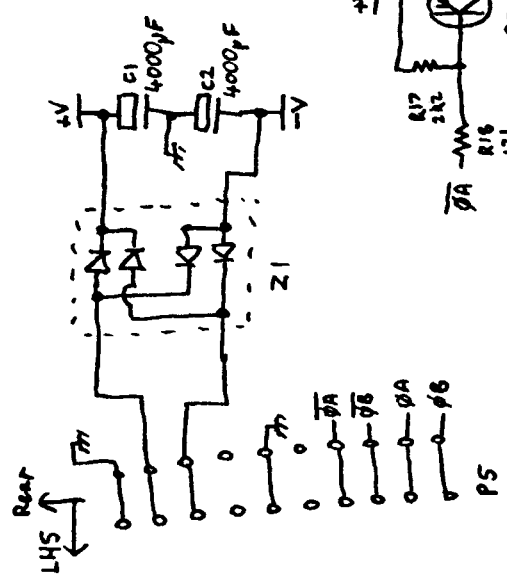
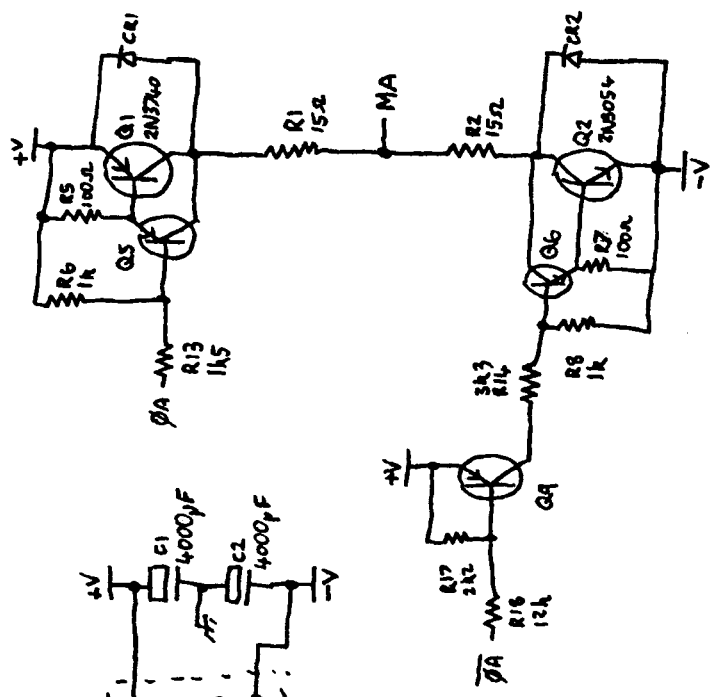
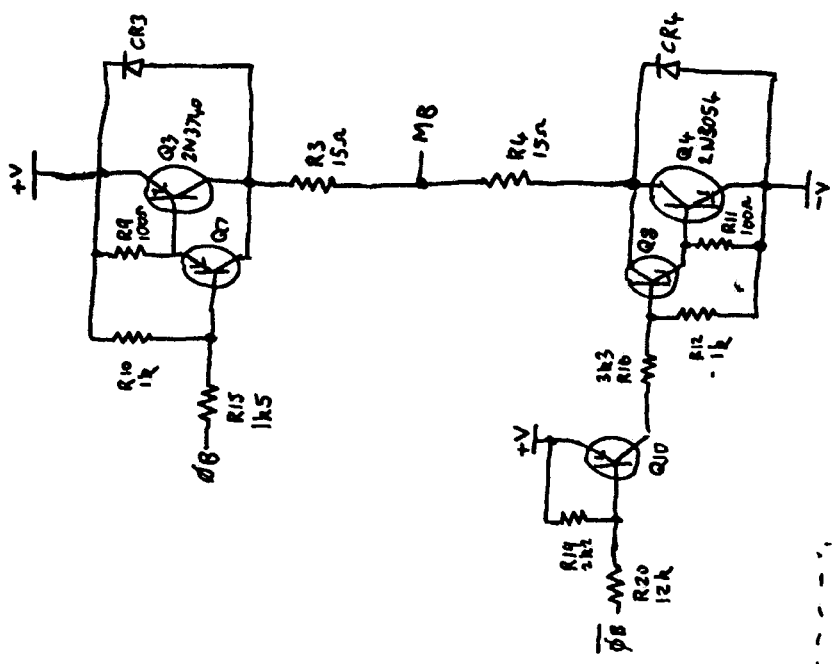


09866-66504

HP9866 Printhead PSU PCB sheet 0 (Y)

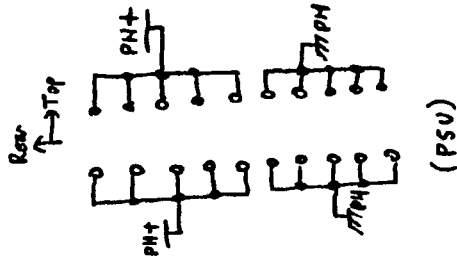
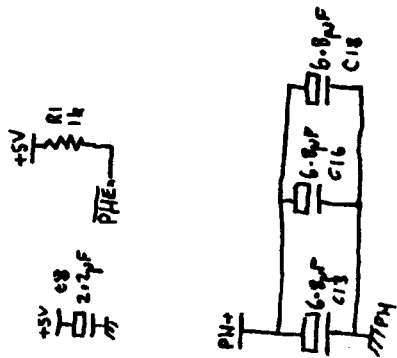
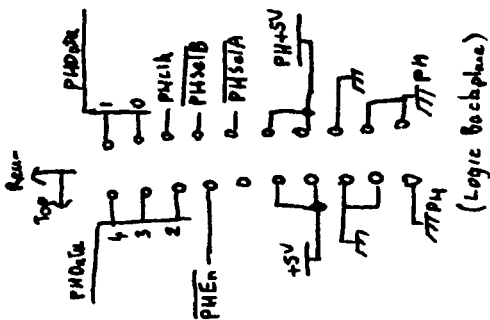
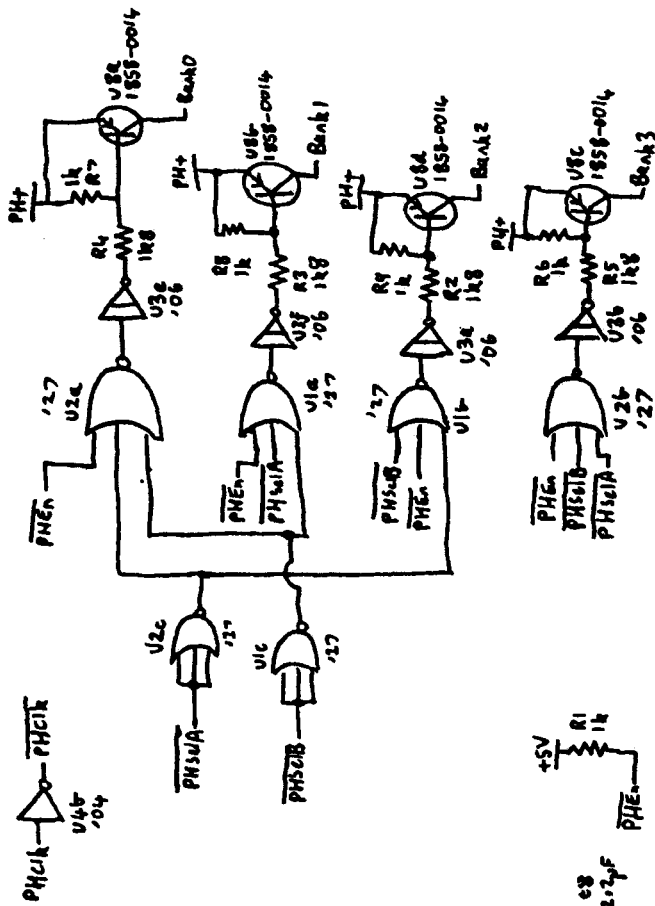
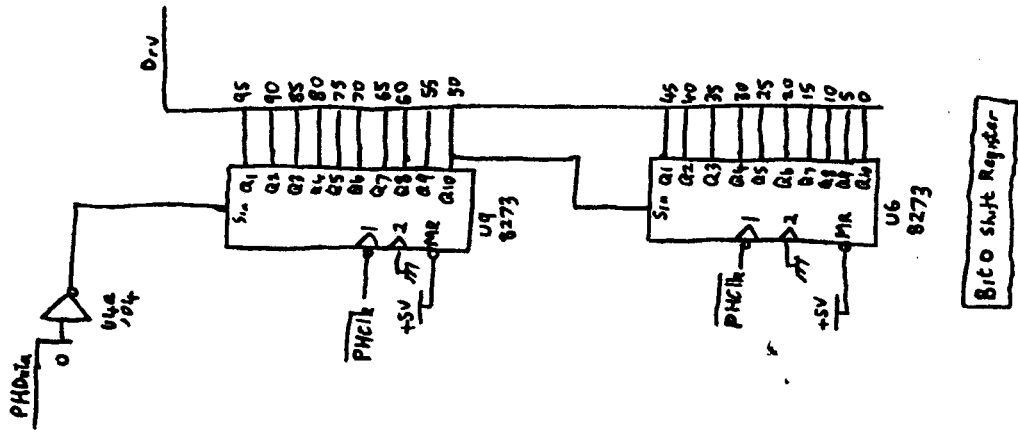
HP9866

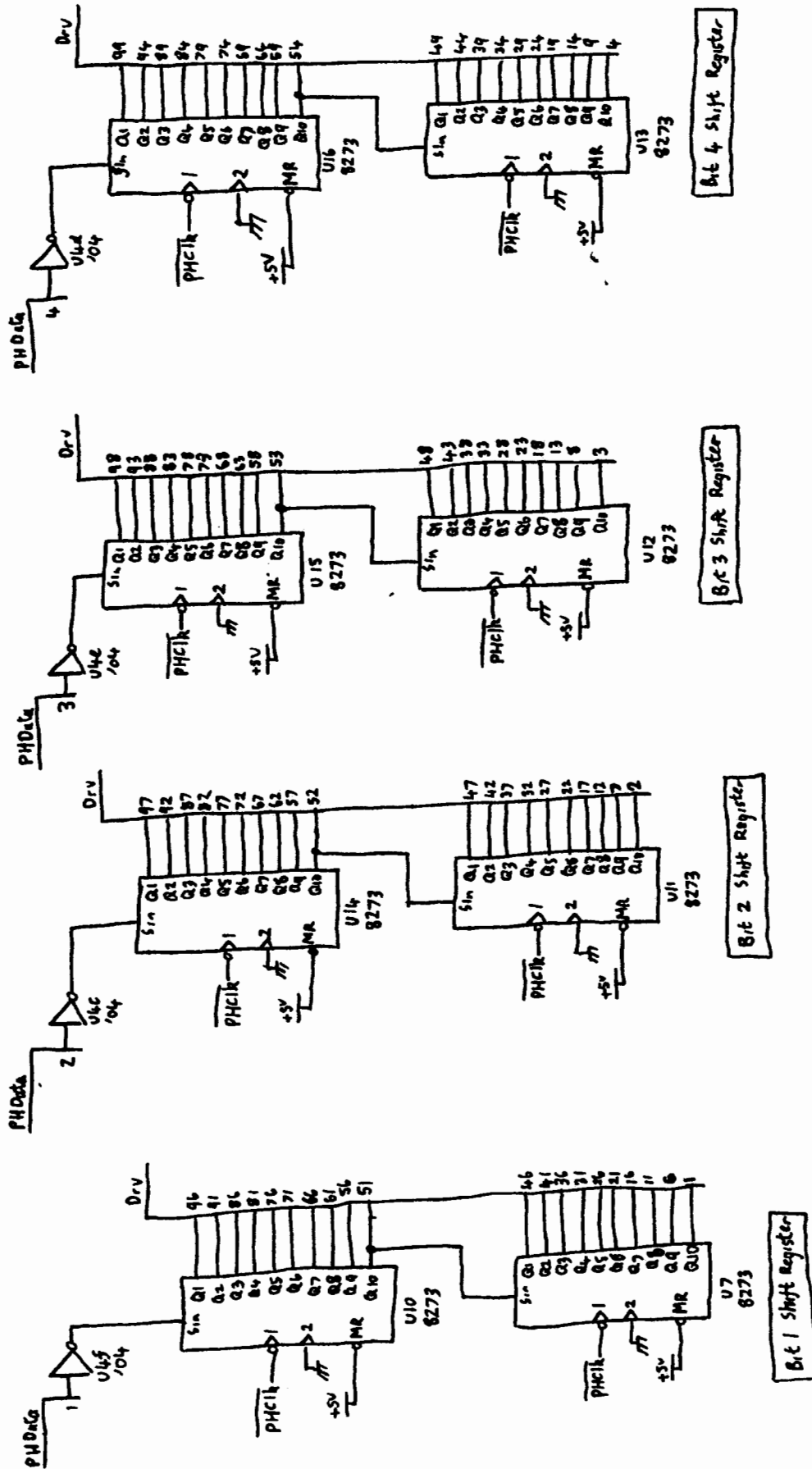


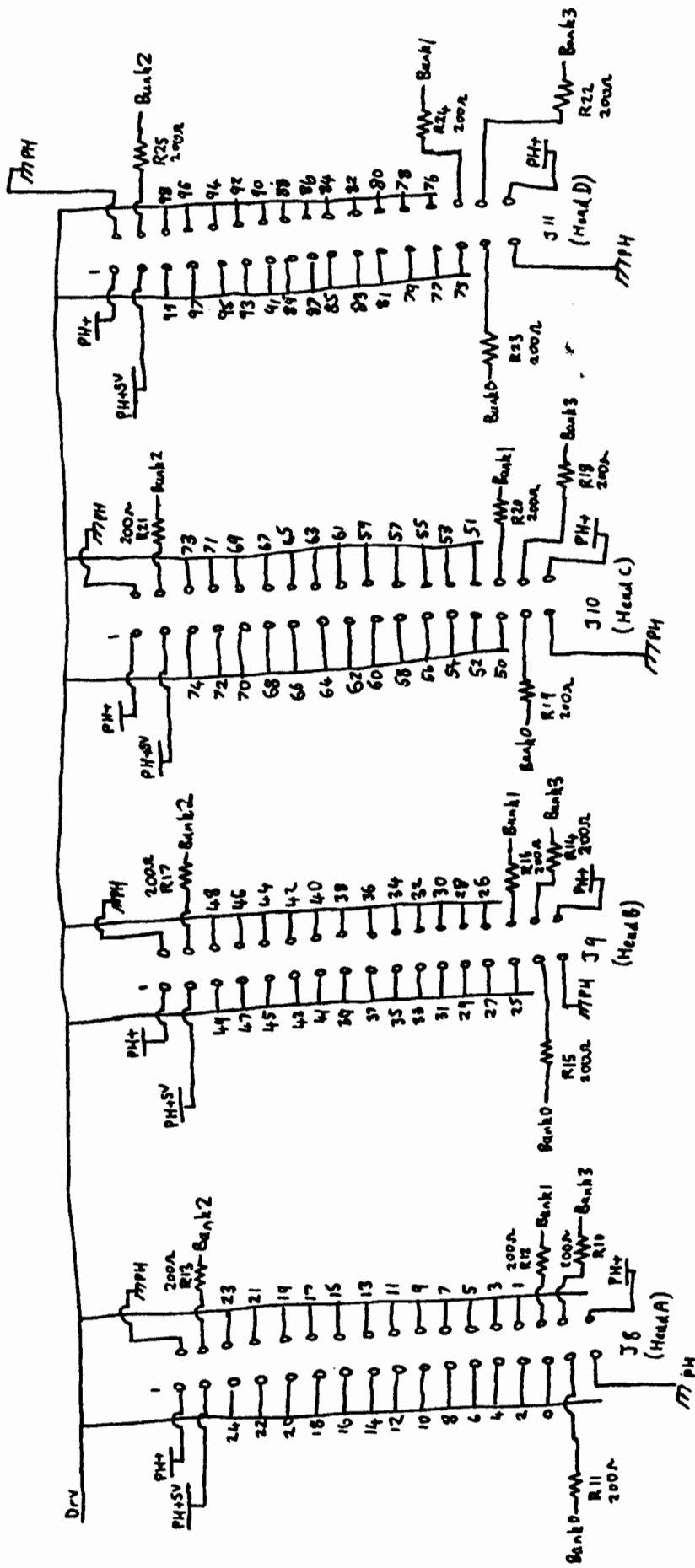


09866-66505

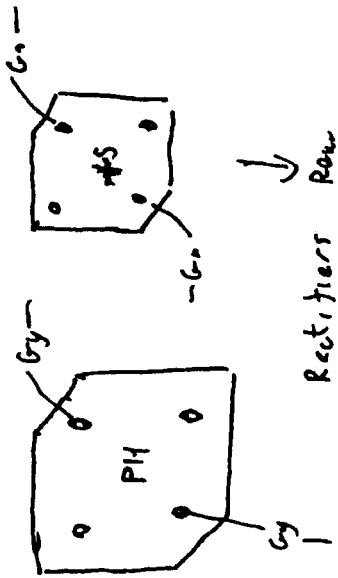
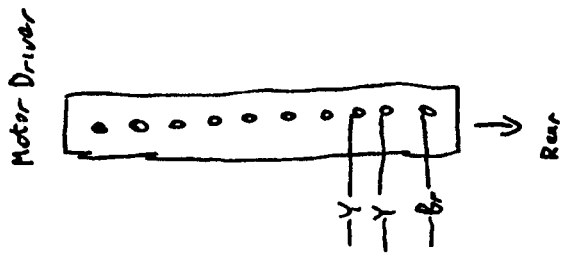
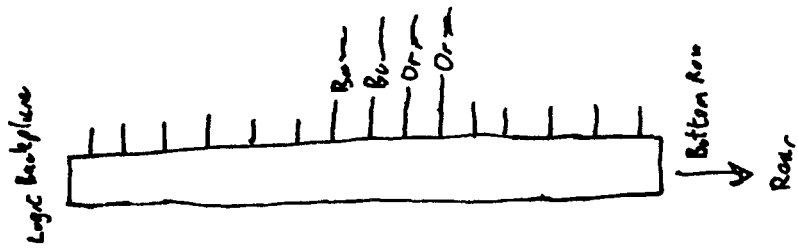
HP9866 Motor Driver PCB (6m)







Printhead Connectors



To Separate Rear Panel from Chassis,
Desolder Wires Shown

HP9866 Printer

