

COPYRIGHT BY HEWLETT-PACKARD COMPANY 1982



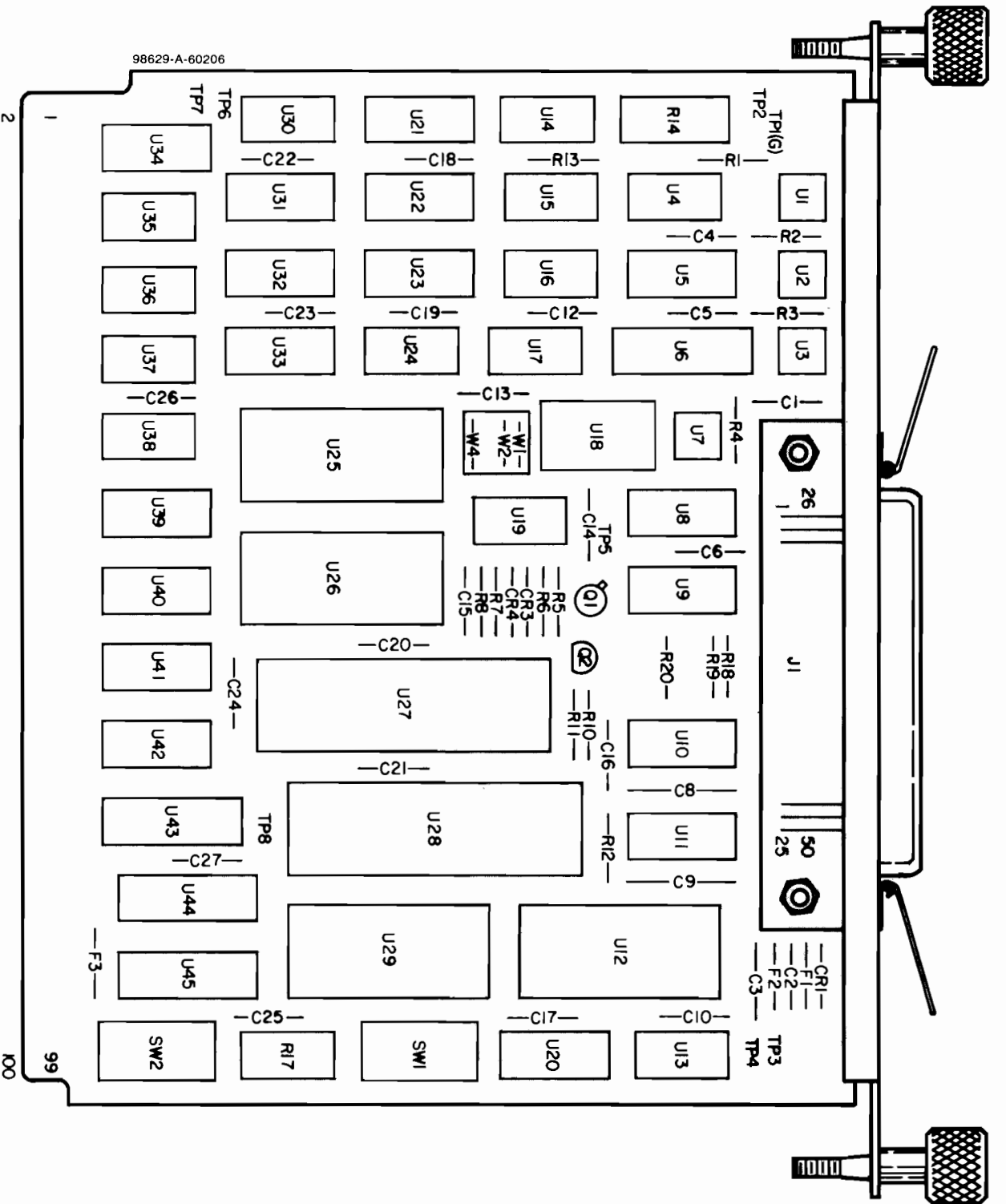
Desktop Computer Division
 3404 East Harmony Road
 Fort Collins, Colorado 80525

A1

HP 98629A RESOURCE MANAGEMENT INTERFACE
 SCHEMATIC DIAGRAM

Manual Part No. 98028-90000

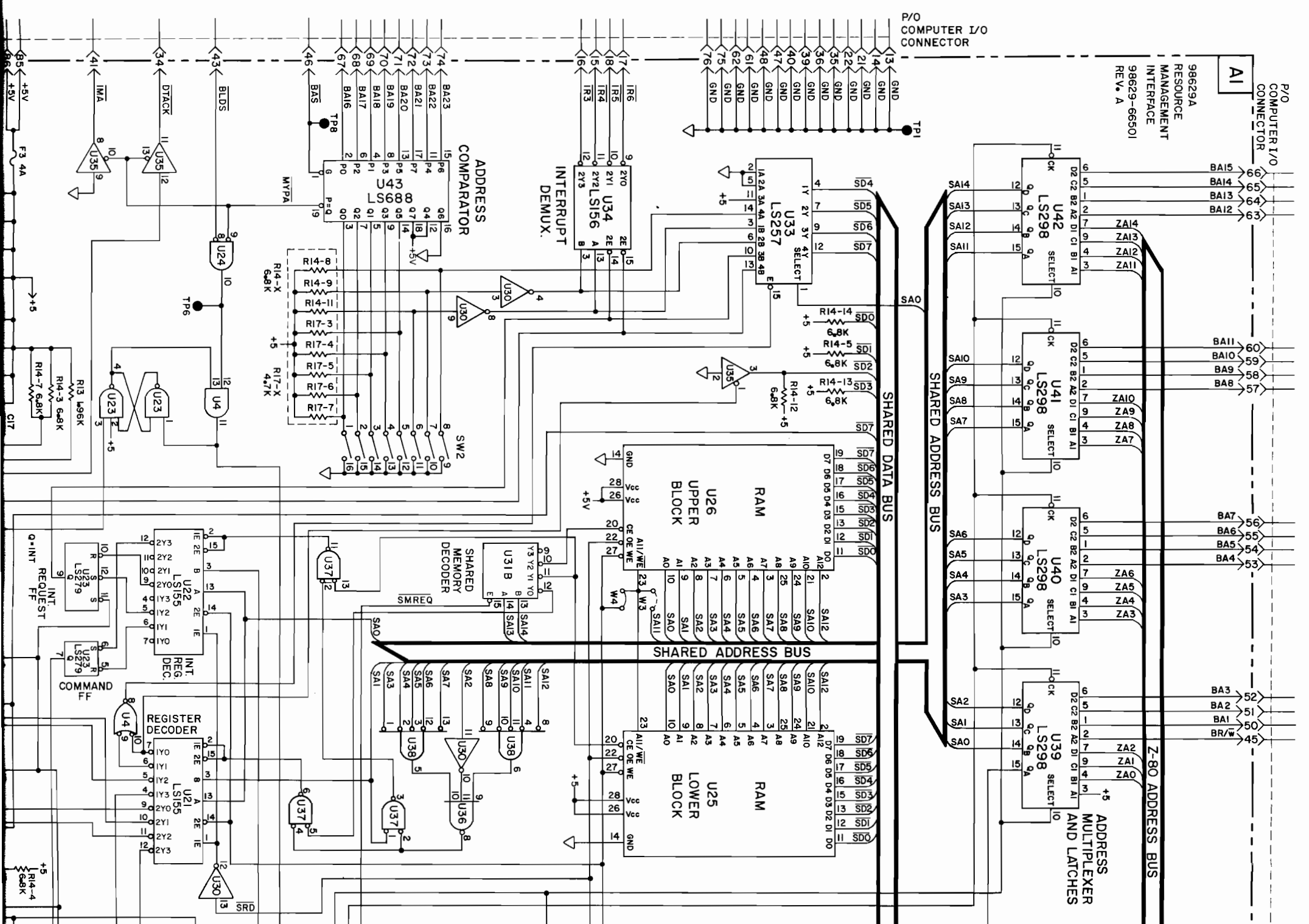
Dwg Rev A Sheet 1 of 1



COMPONENT SIDE
A1

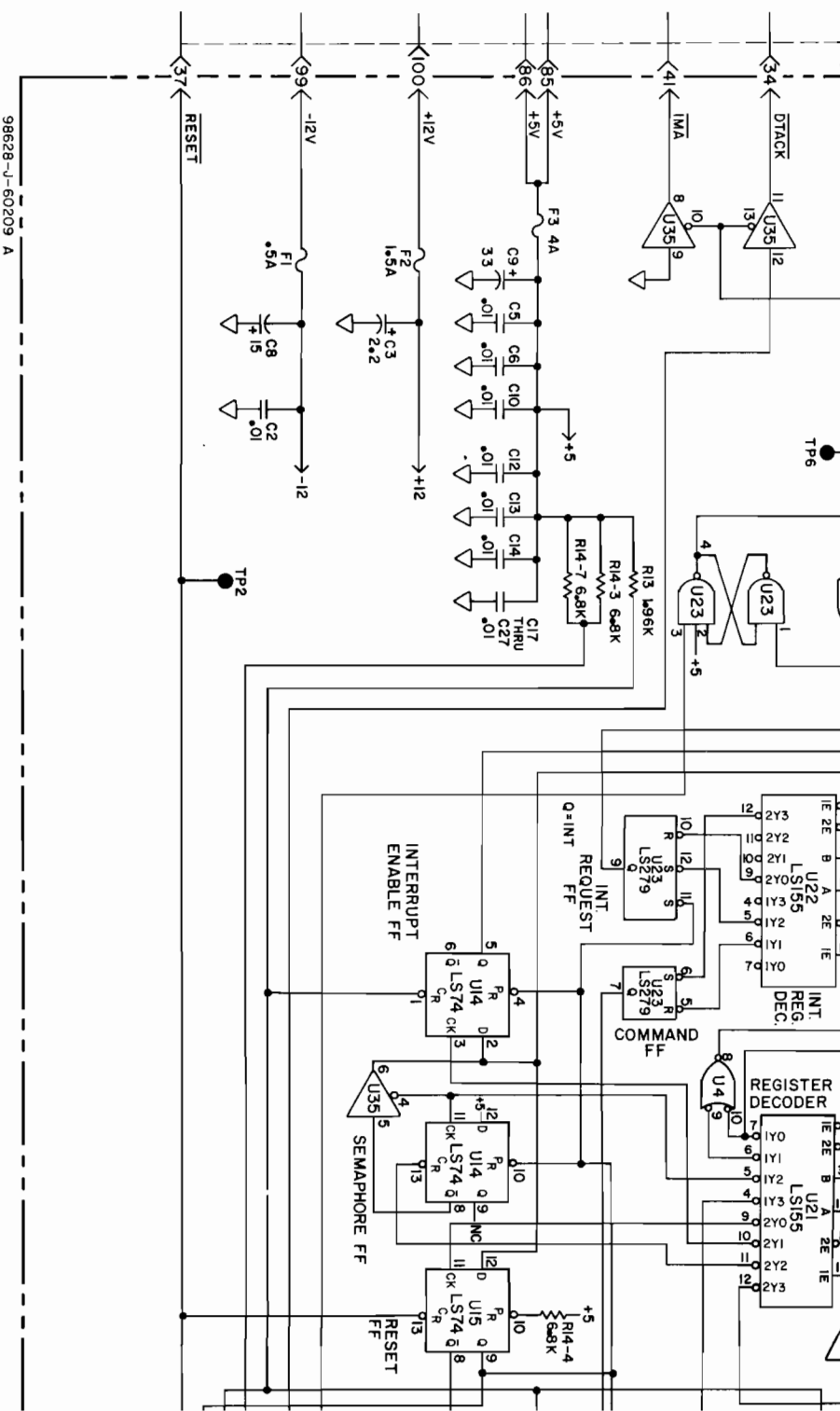
HP Part No. 98629-66501 Rev A

SCHEMATIC NOTES



SCHEMATIC NOTES

1. PARTIAL REFERENCE DESIGNATIONS ARE SHOWN. PREFIX WITH ASSEMBLY OR SUBASSEMBLY DESIGNATION(S) OR BOTH FOR COMPLETE DESIGNATION.
2. COMPONENT VALUES ARE SHOWN AS FOLLOWS UNLESS OTHERWISE NOTED.
RESISTANCE IN OHMS
CAPACITANCE IN MICROFARADS
3. A CURVED LINE MEETING A BUS DENOTES THAT LINE ENTERS THE BUS, A STRAIGHT LINE MEETING THE BUS DENOTES THAT LINE DOES NOT ENTER THE BUS.
4. R18 — R20 LOADED FOR 98629. R15, R16, R9, CR2, & C7 NOT LOADED.
5. R15, R16, R9, CR2, & C7 LOADED FOR 98628. R18 — R20 NOT LOADED.



98628-J-60209 A