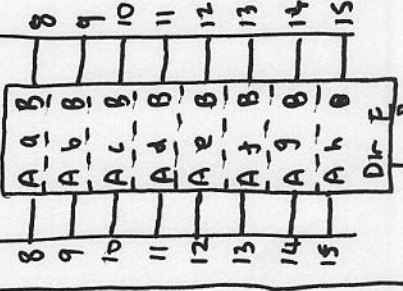
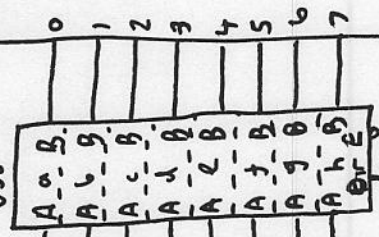
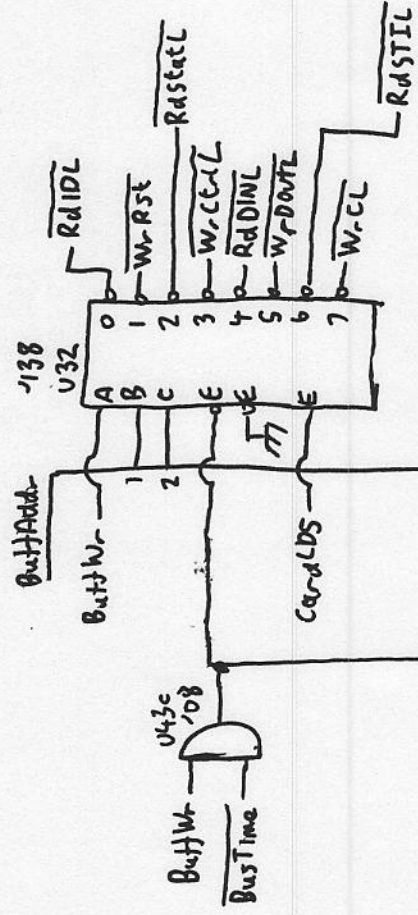
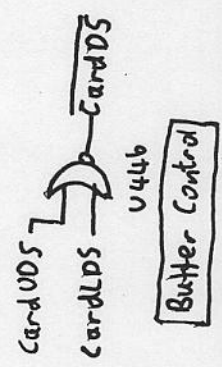
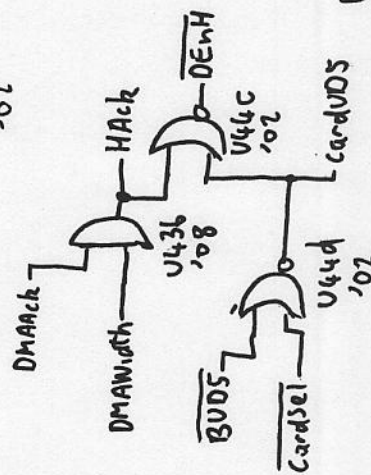
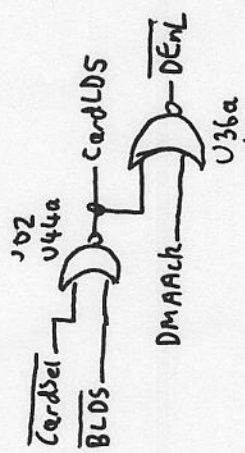
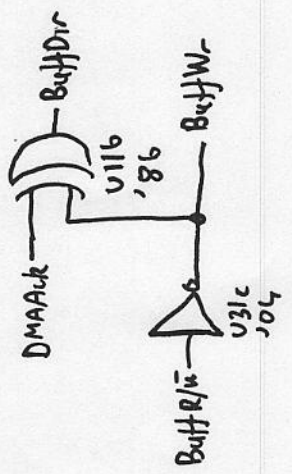


BuffData

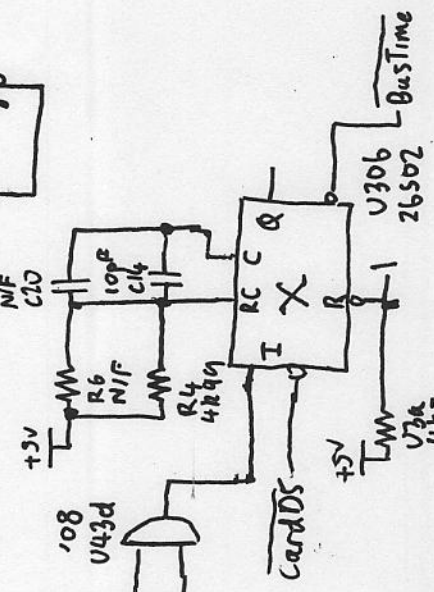
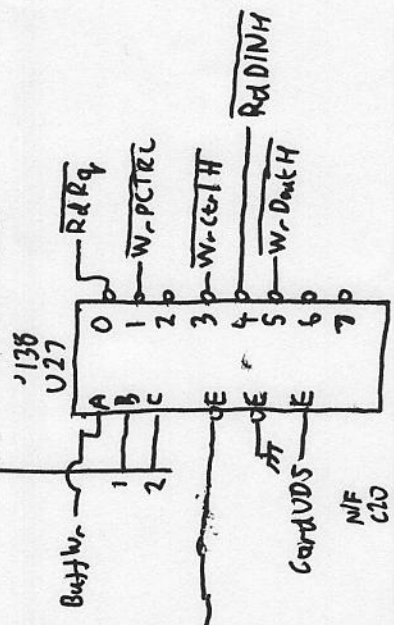
80

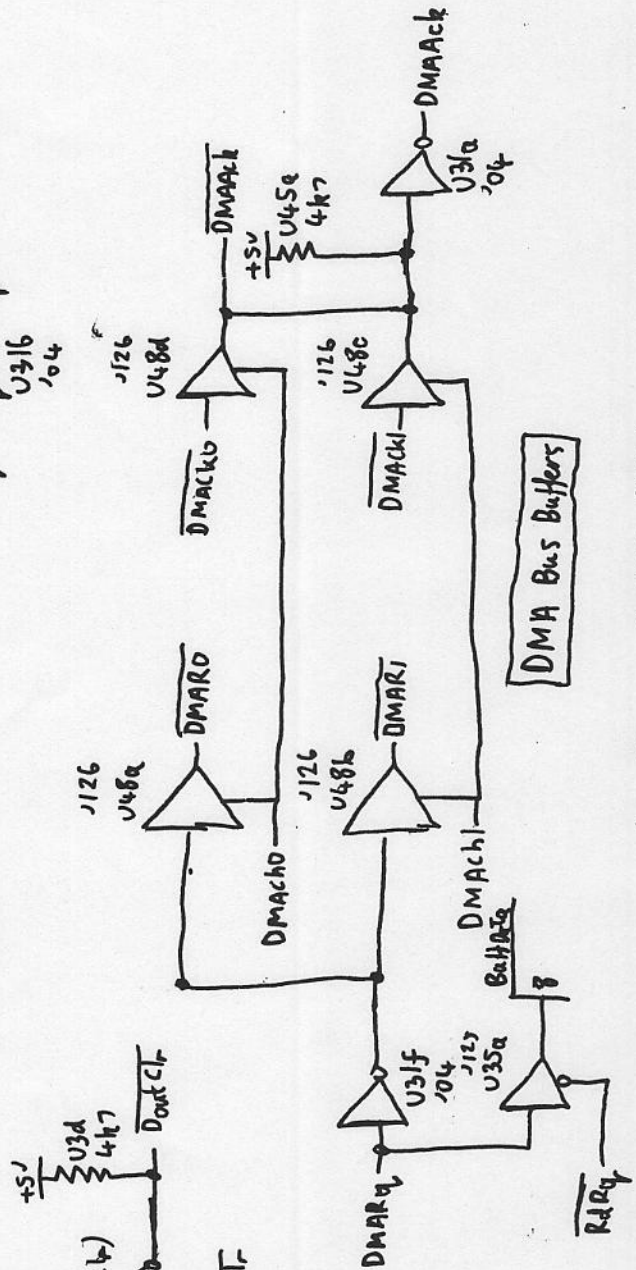
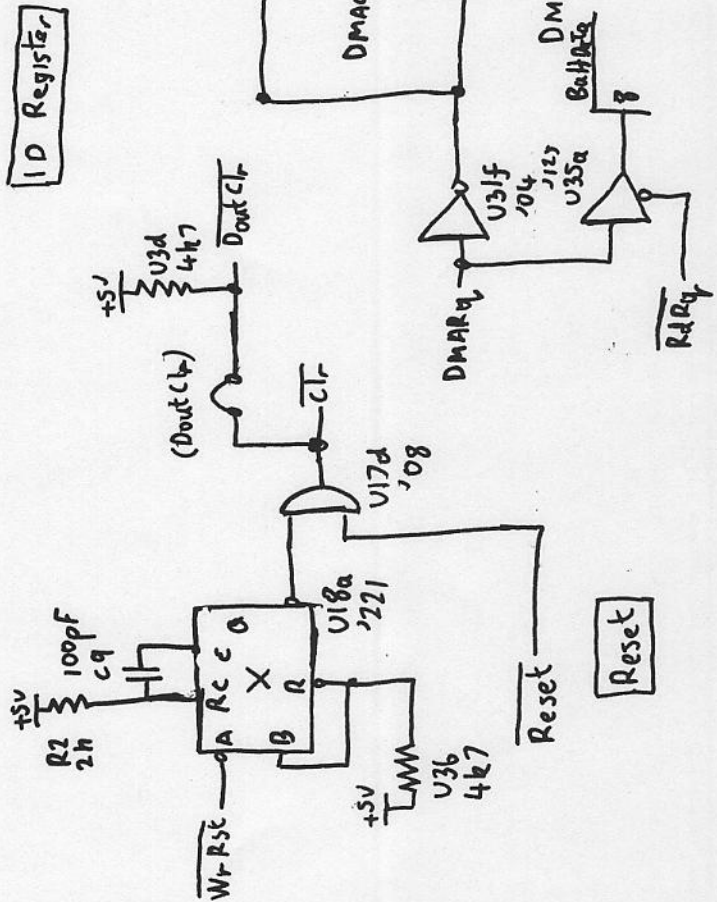
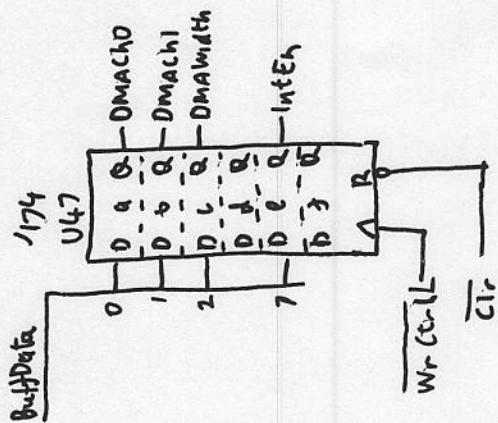
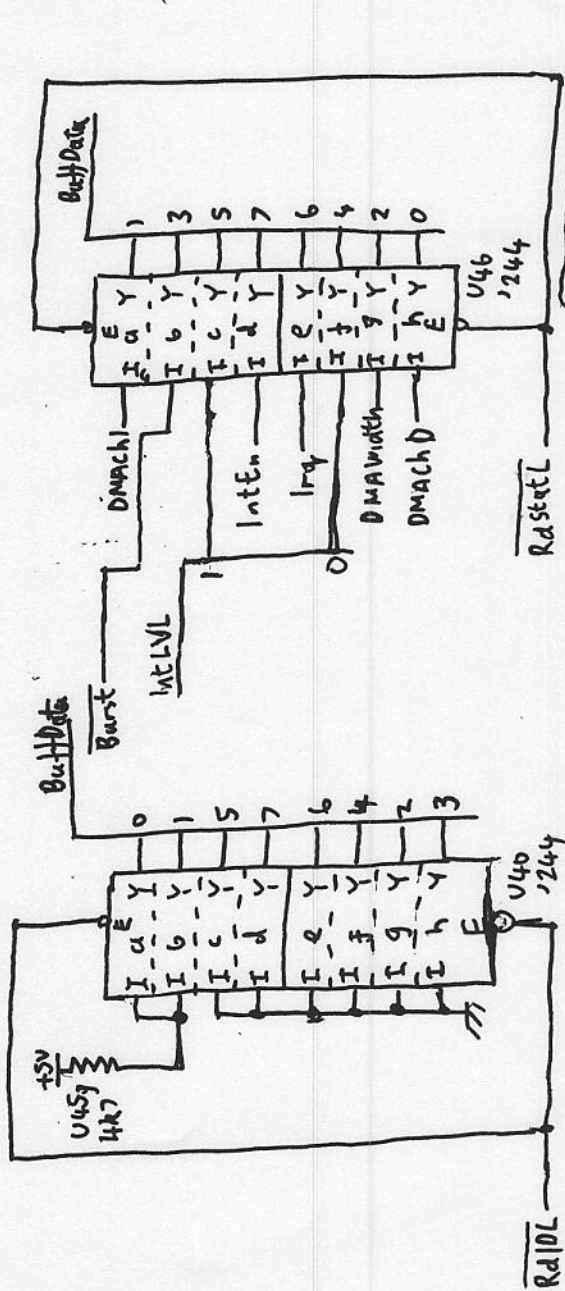


Data Buffer



Register Select

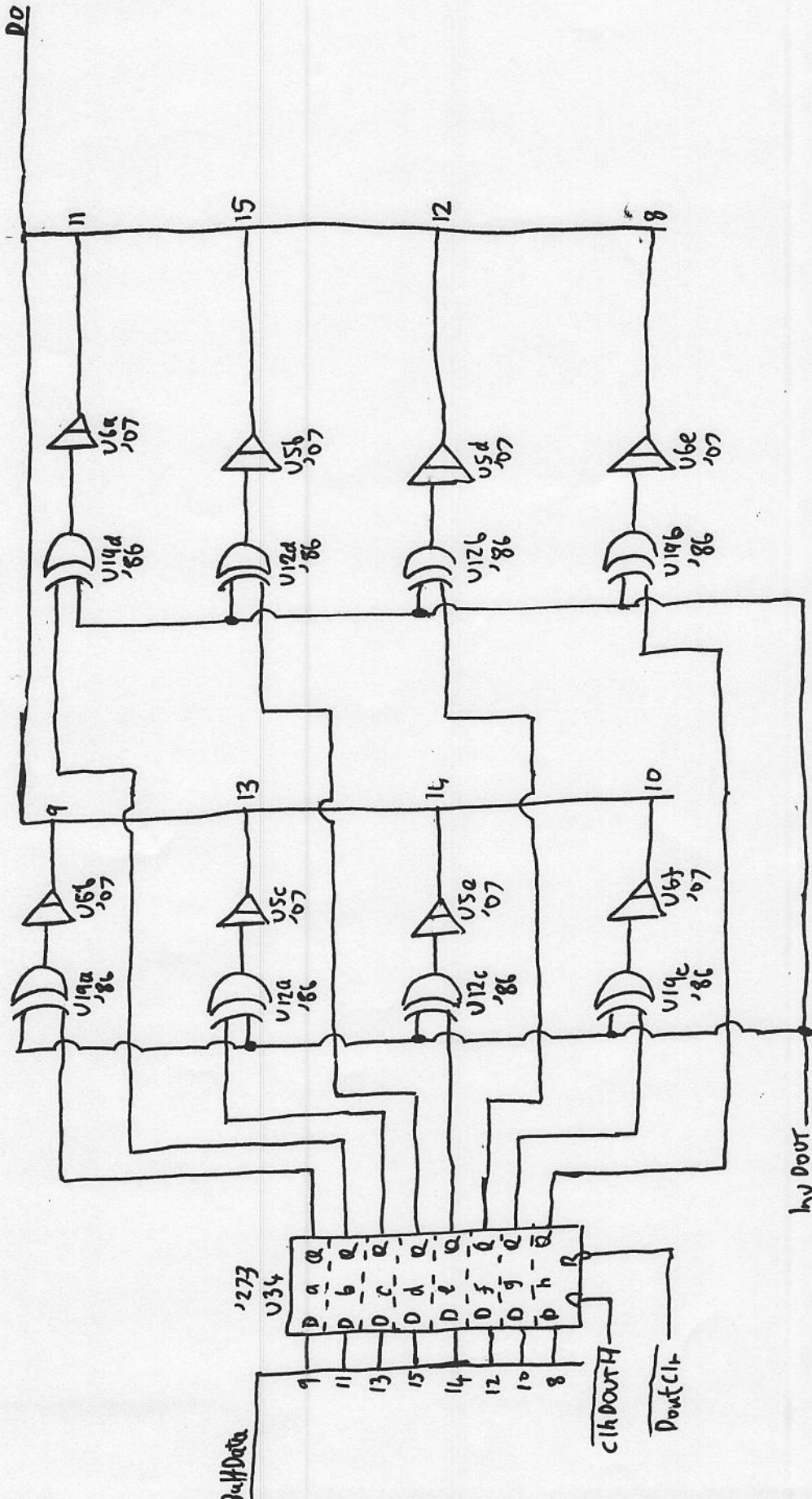






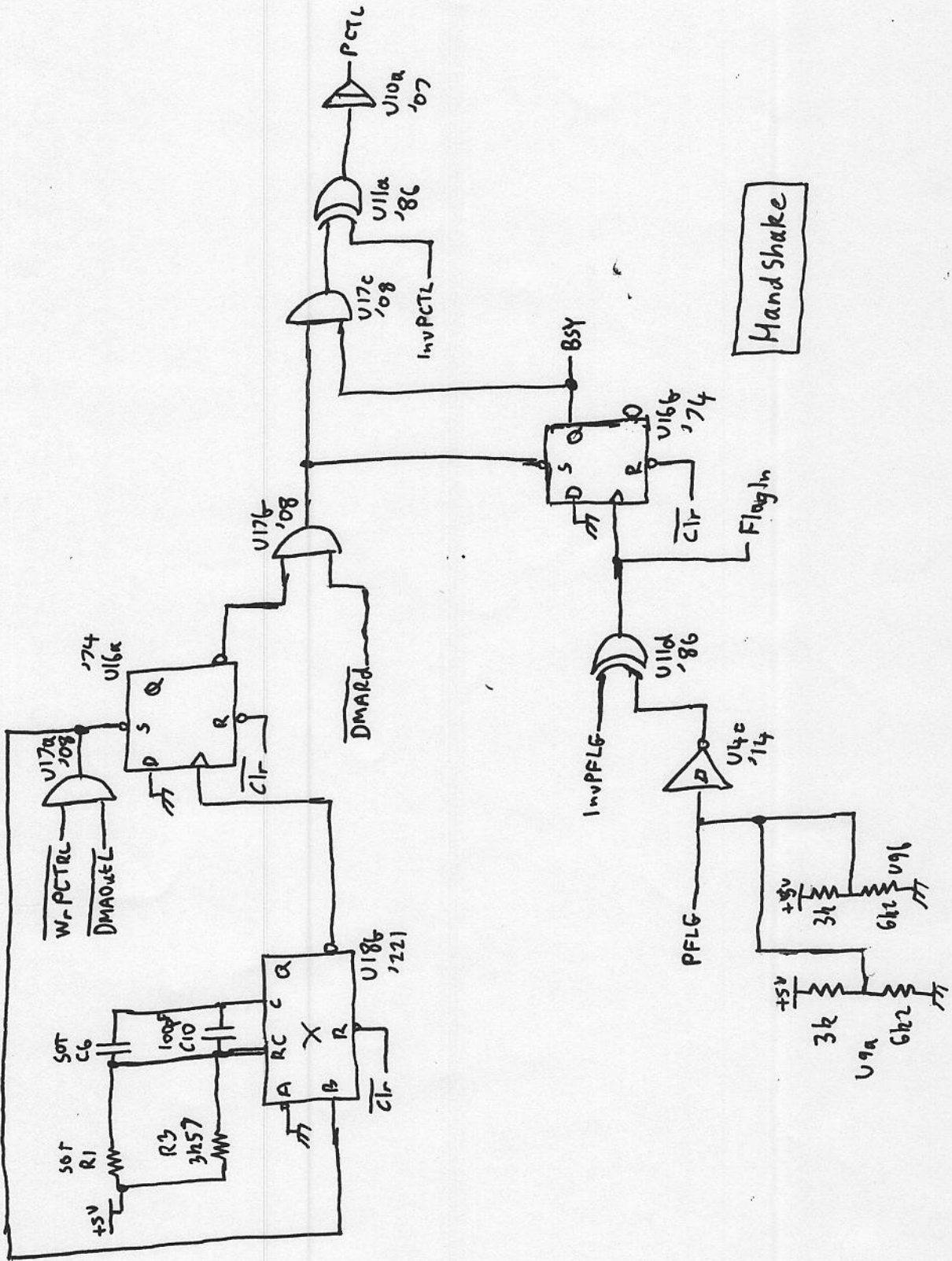


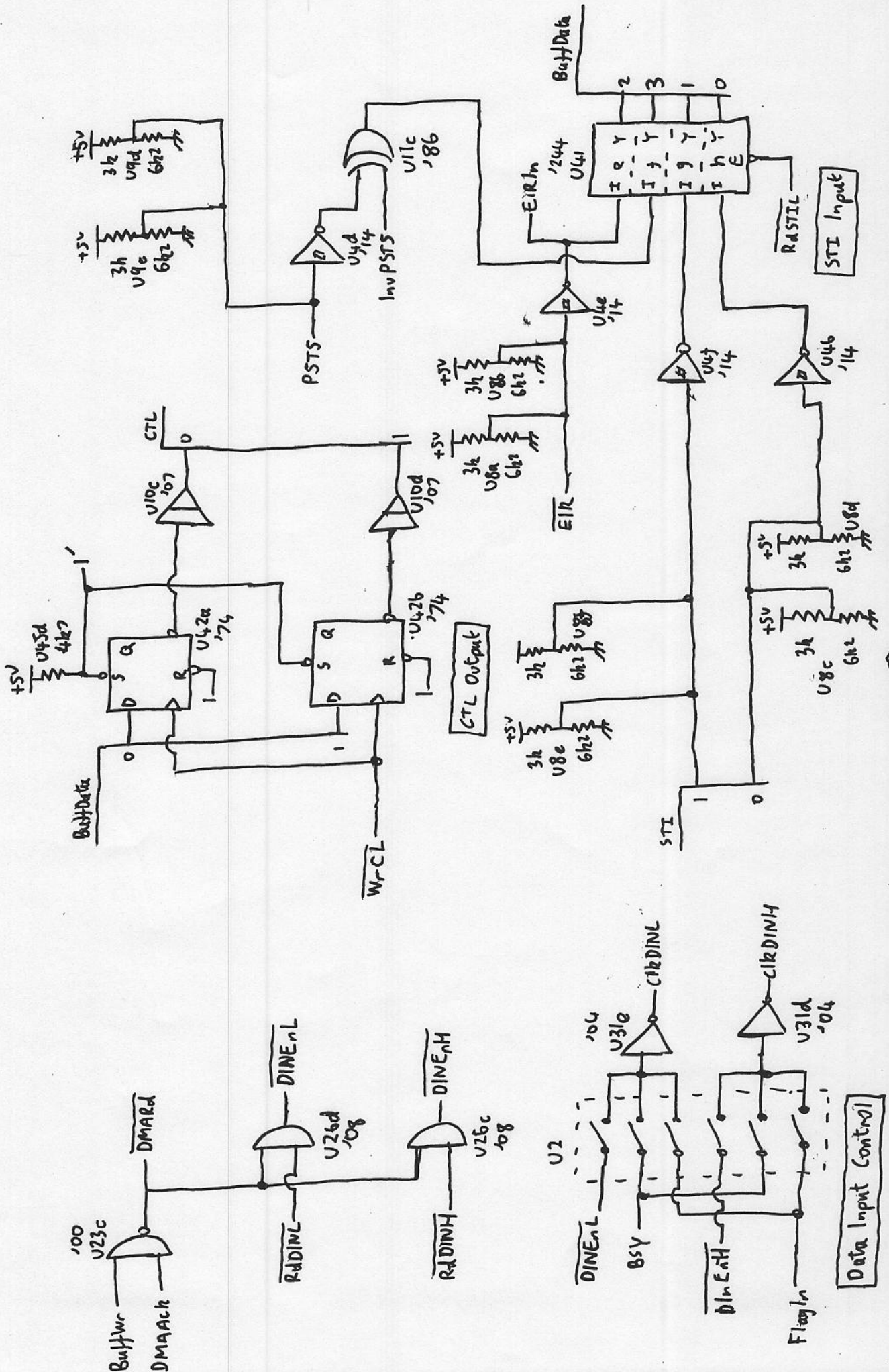




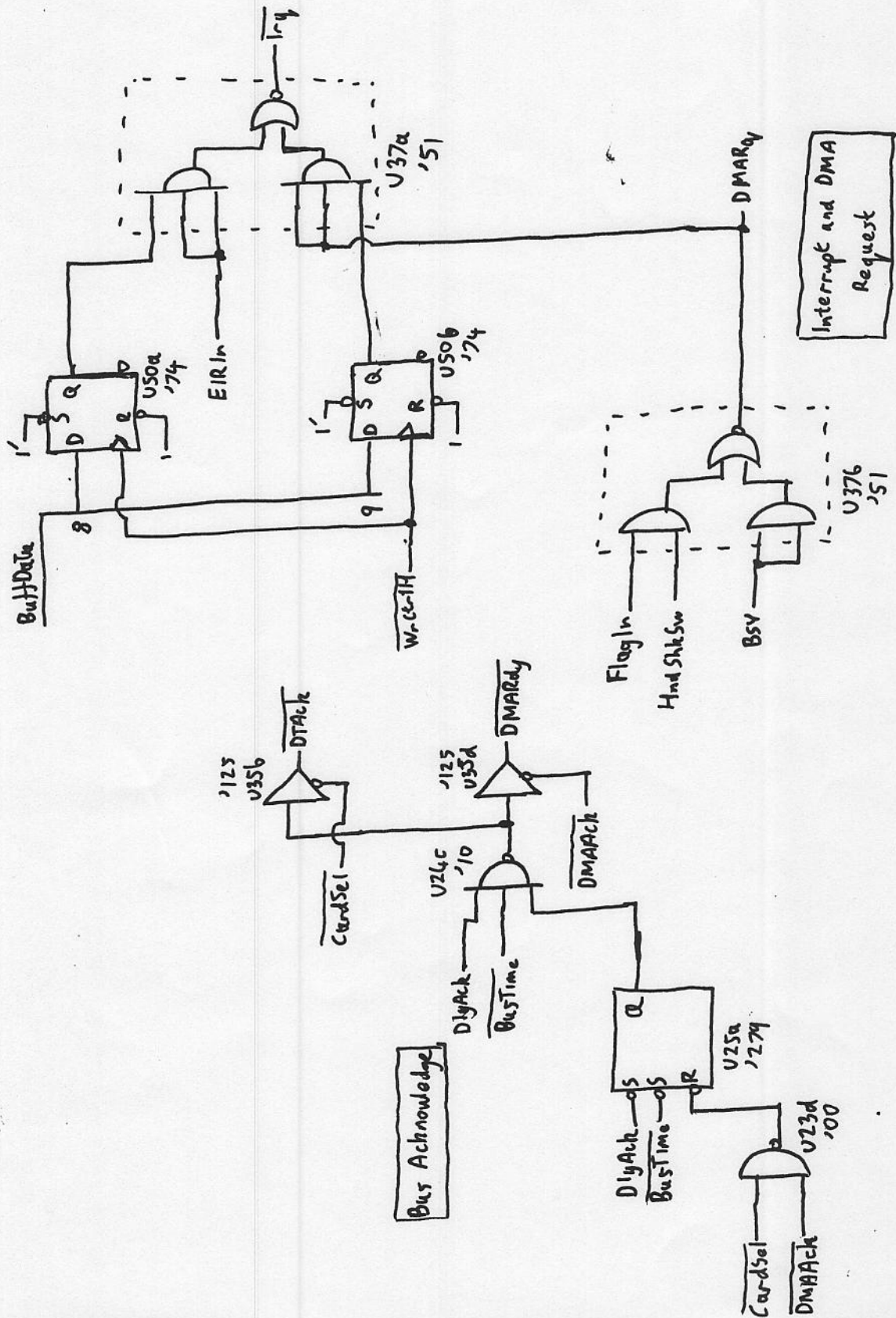
Data Out - High Byte





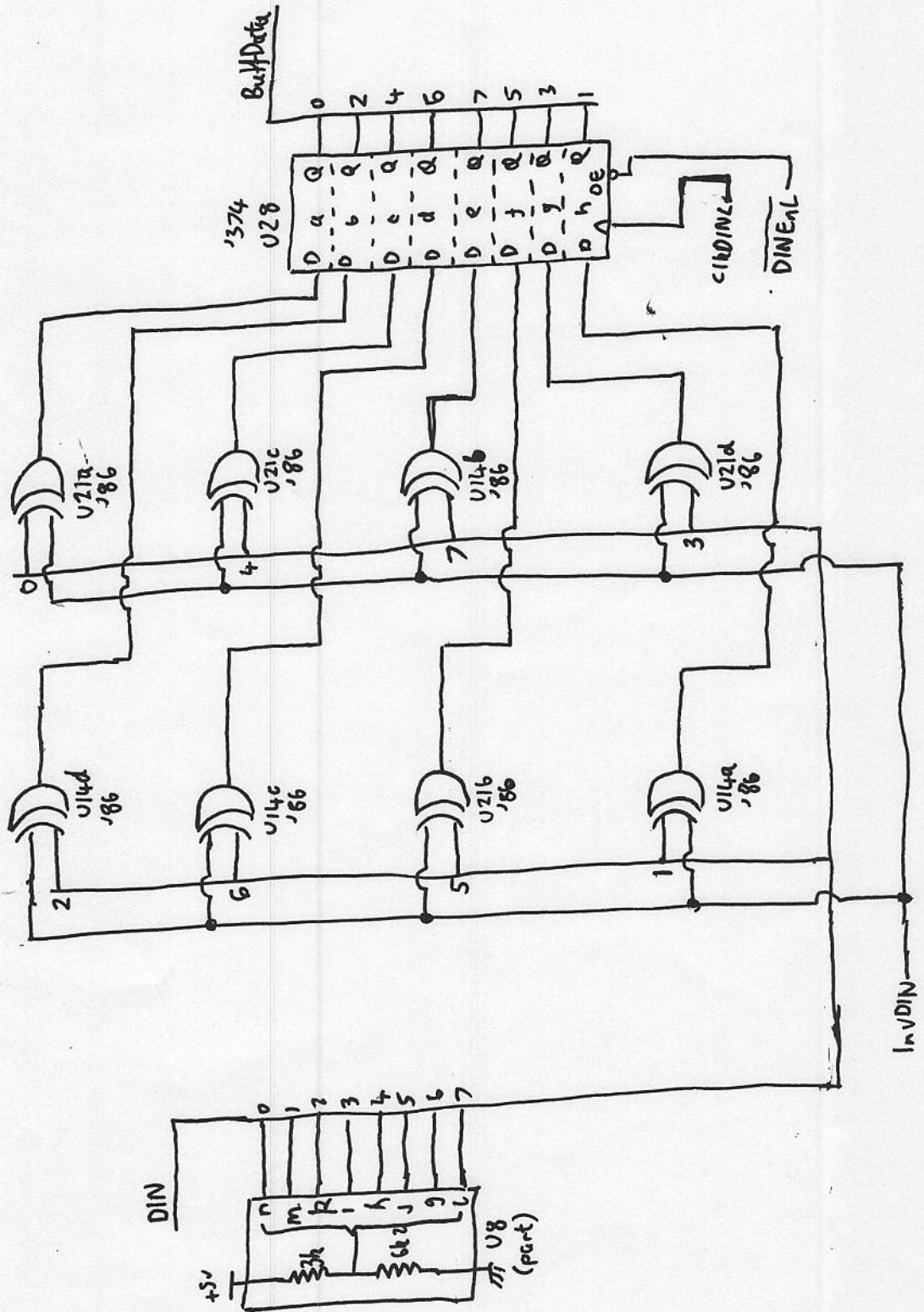




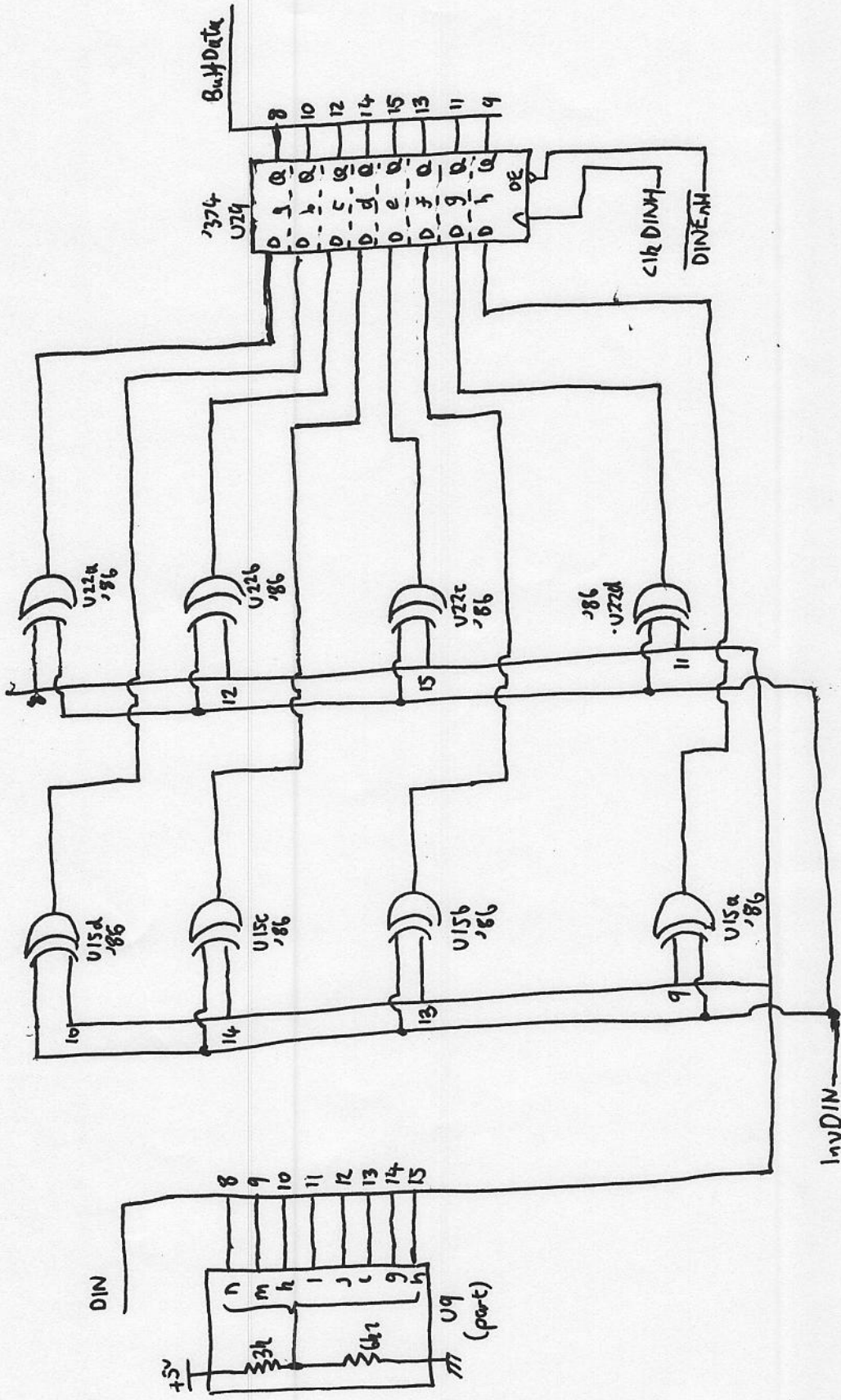


98 622-66501

HP9862Z D10 GPIV PCB sheet (9)



Data Input - Low Byte



Data Input - High Byte



