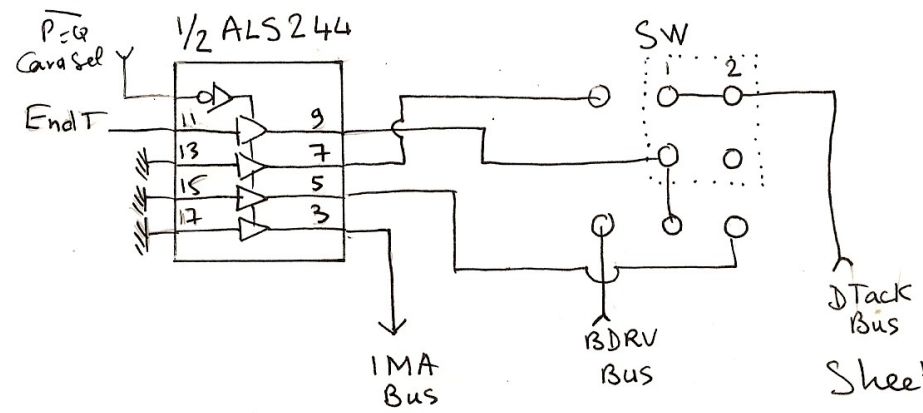
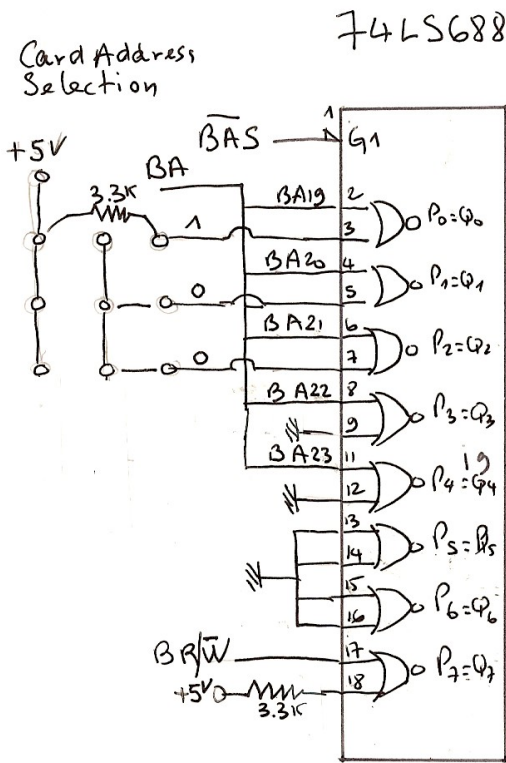
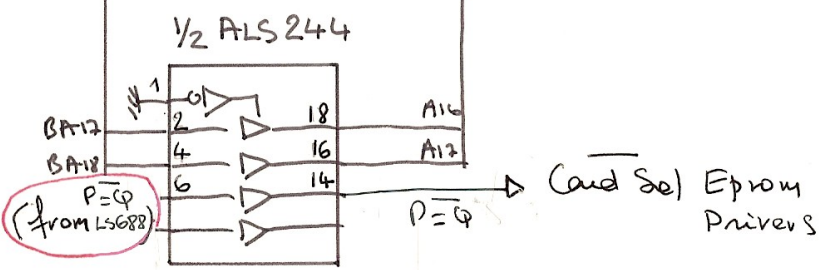
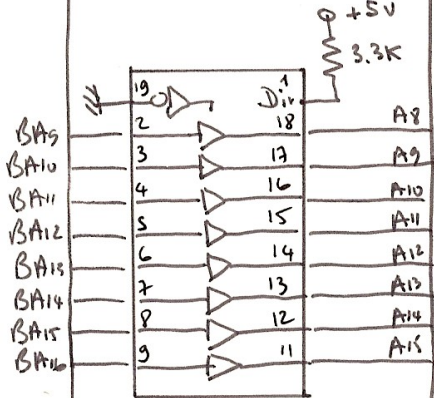
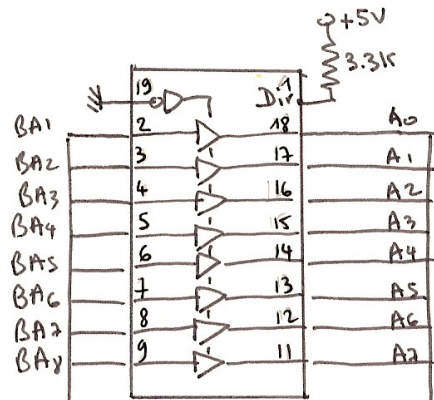


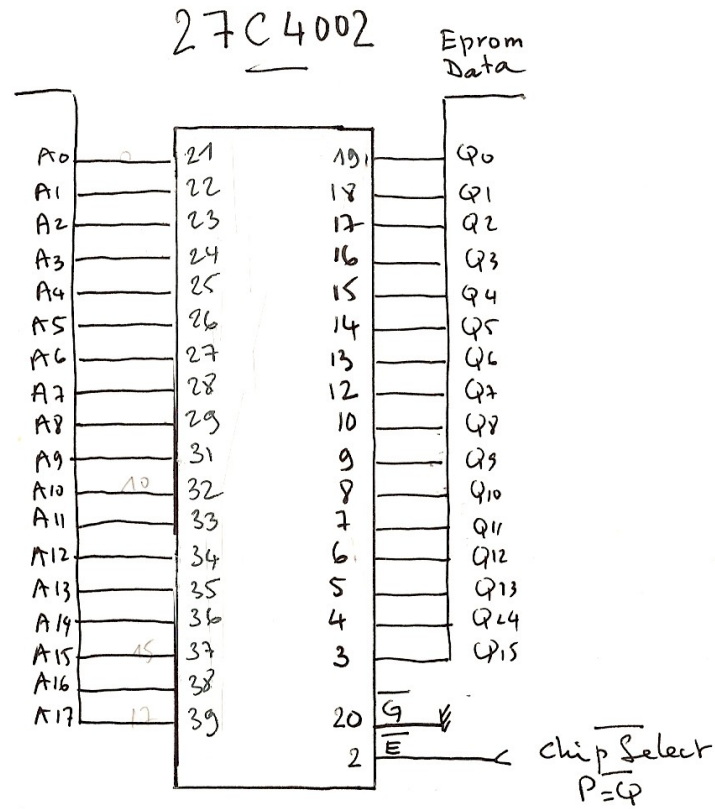
HP Basic V4

ROM Board replacement

Sheet 1/3



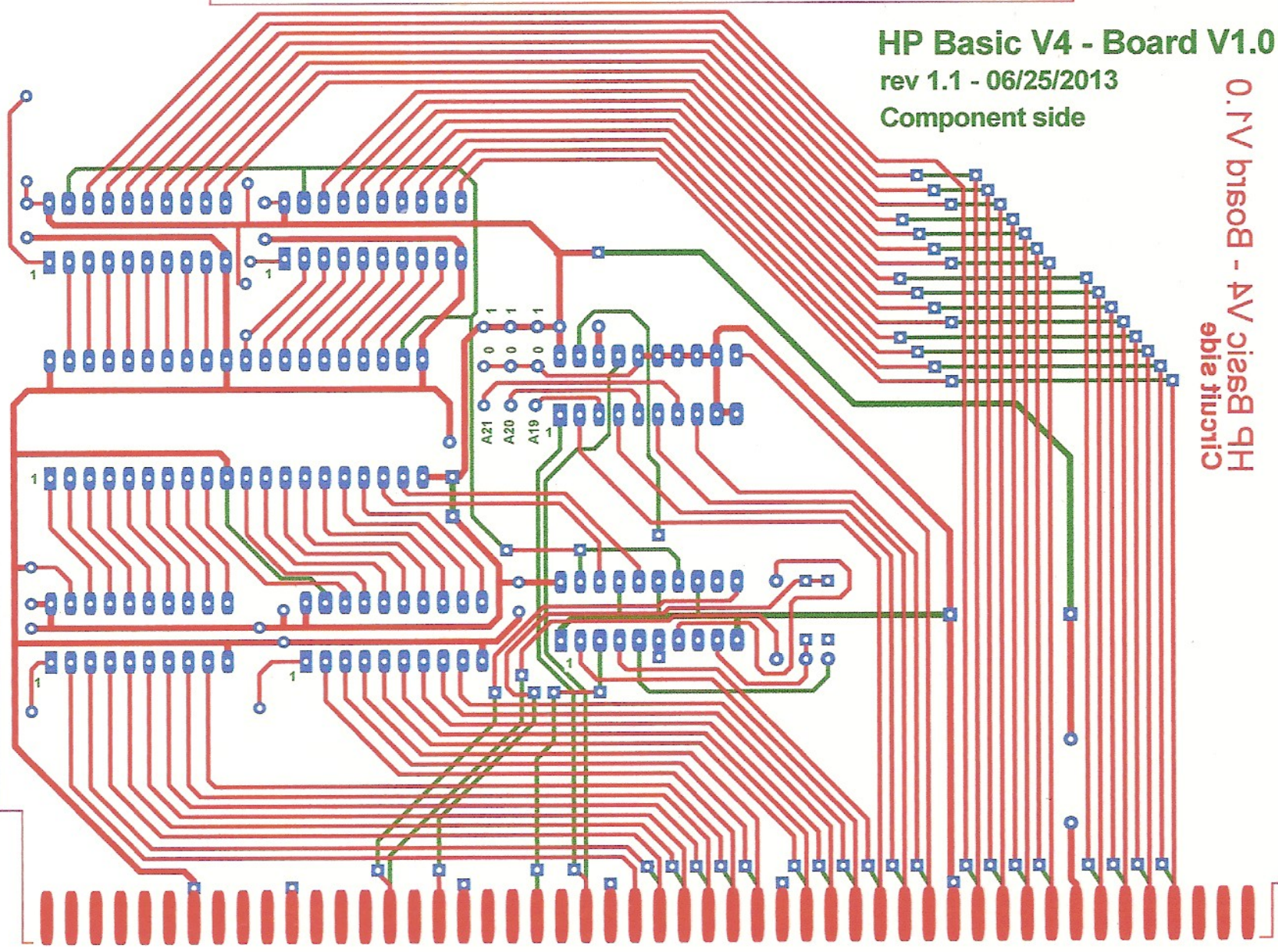
HP Basic V4  
Rom Board replacement



HP Basic V4  
Bom Board replacement

Sheet 3/  
3

HP Basic V4 - Board V1.0  
rev 1.1 - 06/25/2013  
Component side



HP Basic V4 - Board V1.0  
Circuit side