

①

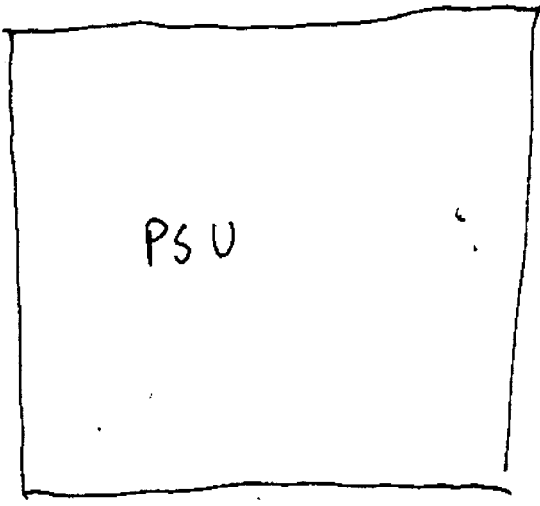
9845

98770-66524
(Y) Video I/F

09845-66502
↓ (Bh/R) I/O Backplane

09845-66551
(G/Pr) Printer I/F

Empty
|||



← Language
Processor

↑
09845-66540
(W/BL) RAM

↑
09845-66516
(B/Bu)

Main Backplane
09845-66500

↑
09845-66955
(Gn) Printer Driver

←
09845-66524
(R/W) ROM/RAM

09845-66546
(Y/Bu) (RAM/ROM)
Peripheral Processor

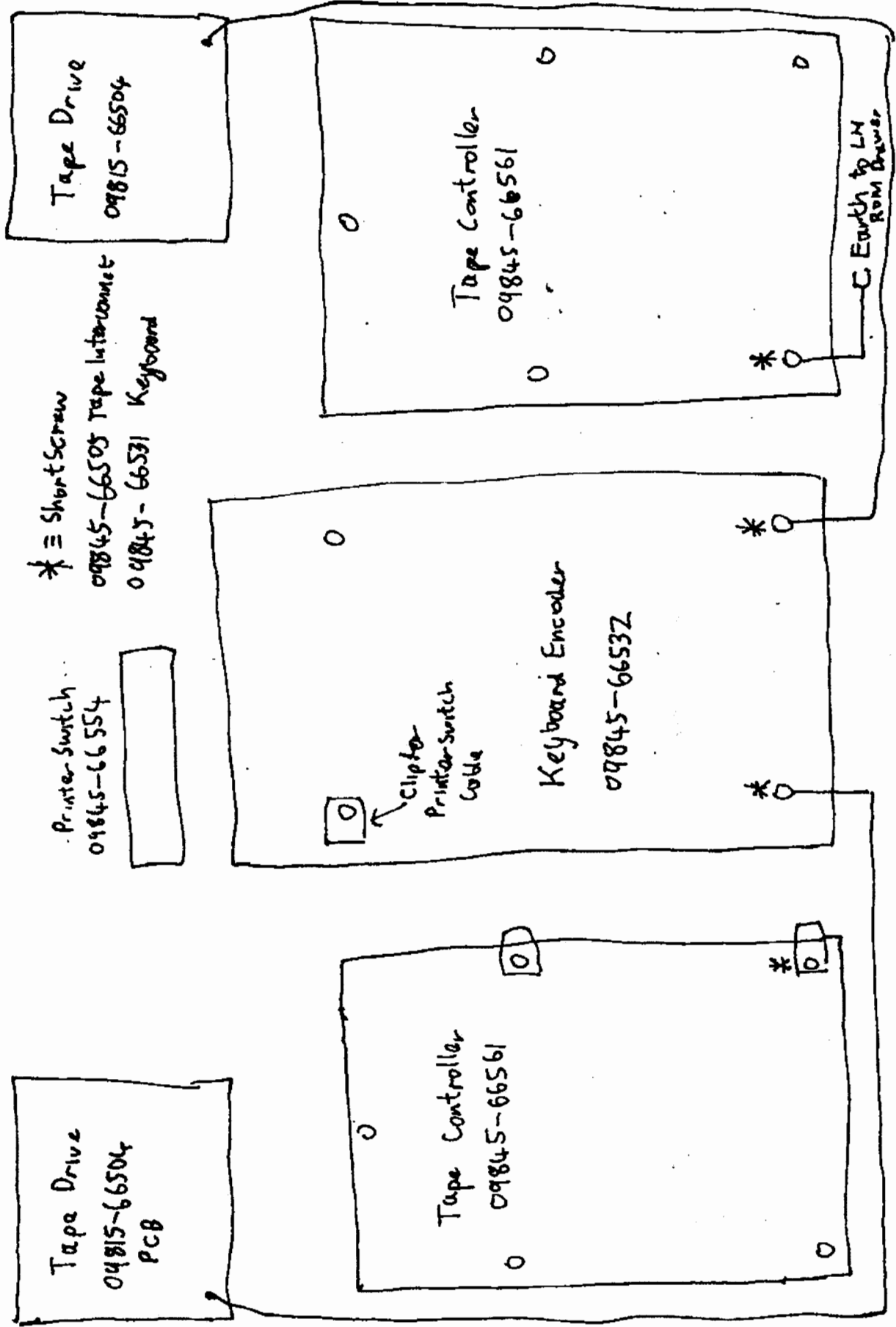
09845-66518
Chopper

09845-66517
5V out
+/-22V

PSU Mainboard
09845-66520

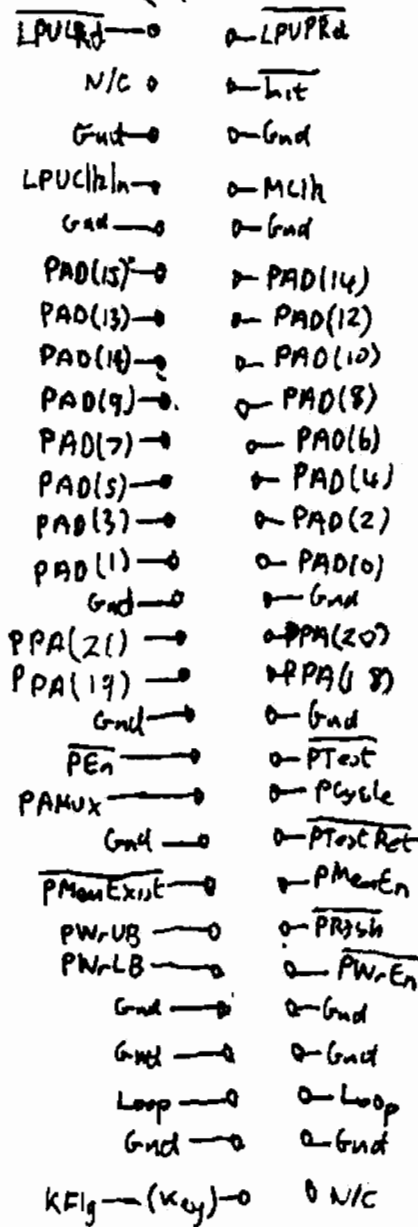
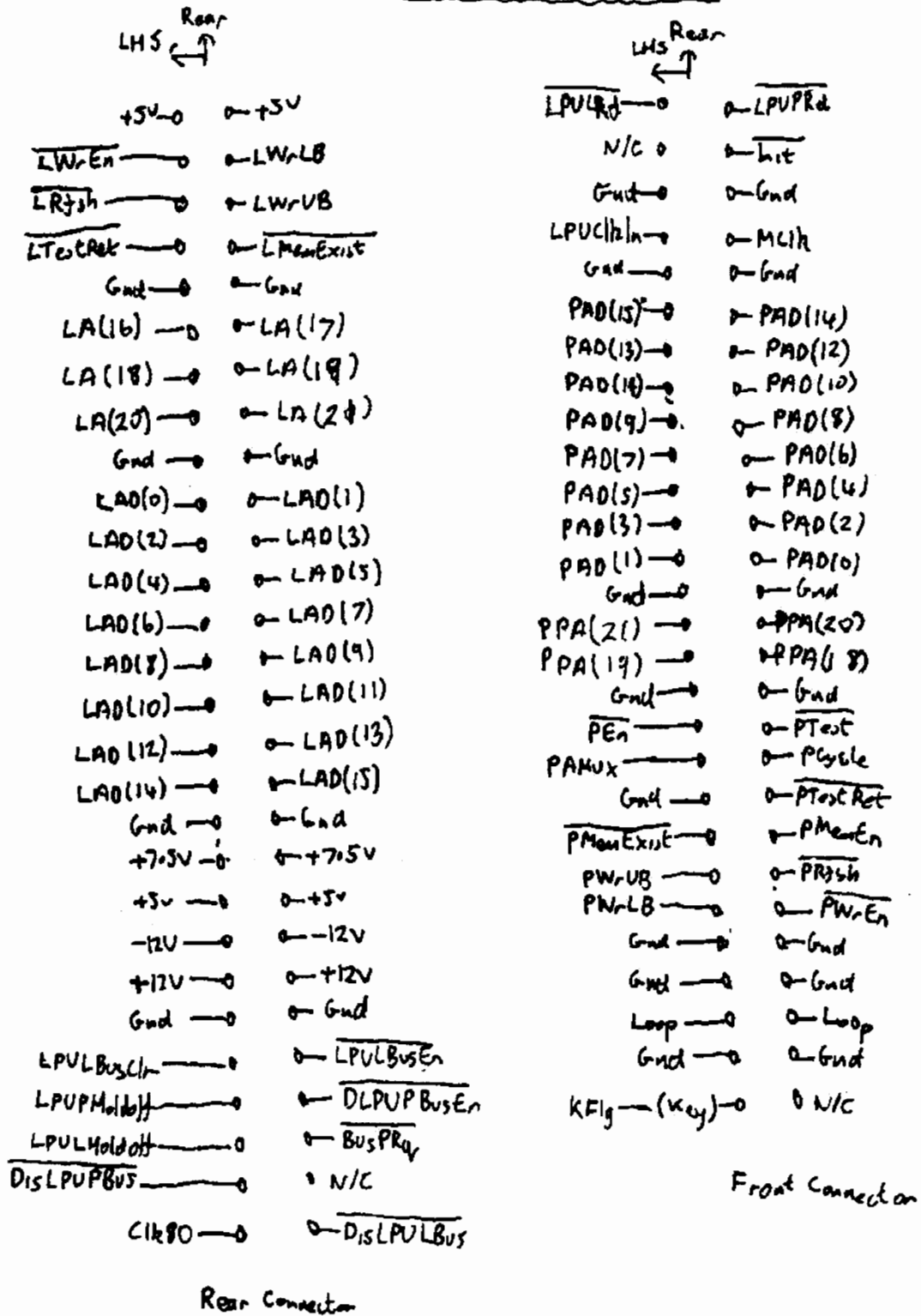
← 09845-66519
+/-22V out

← 09845-66534
PSU Control



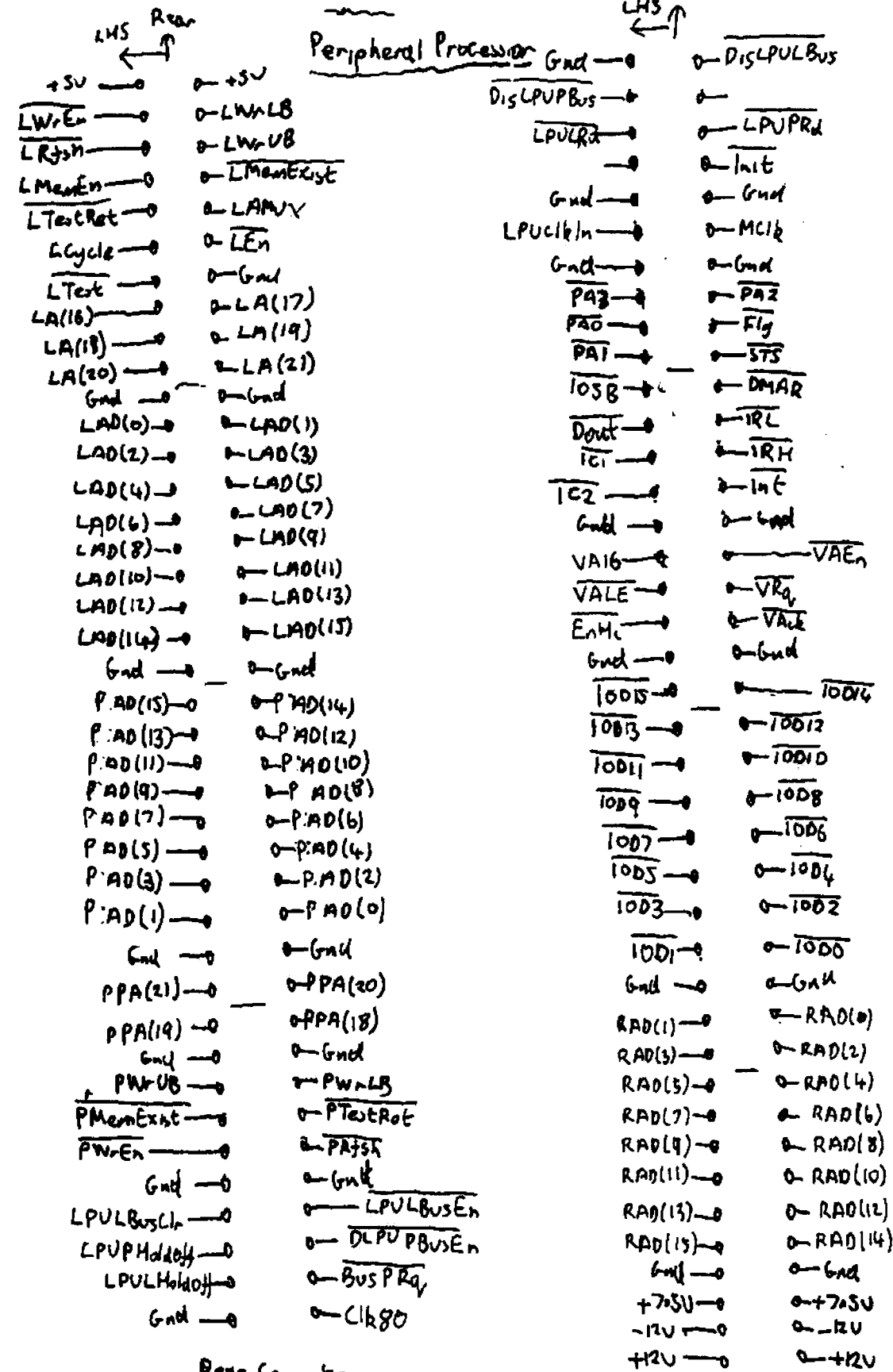
HP 9845 Keyboard Assembly

HP9845 Language Processor



9845
Peripheral Processor

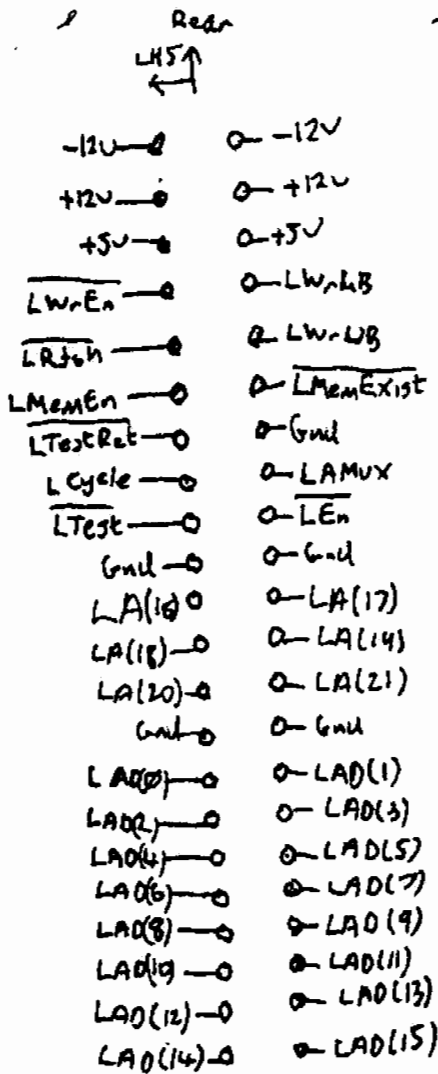
Row-
LHS ↑



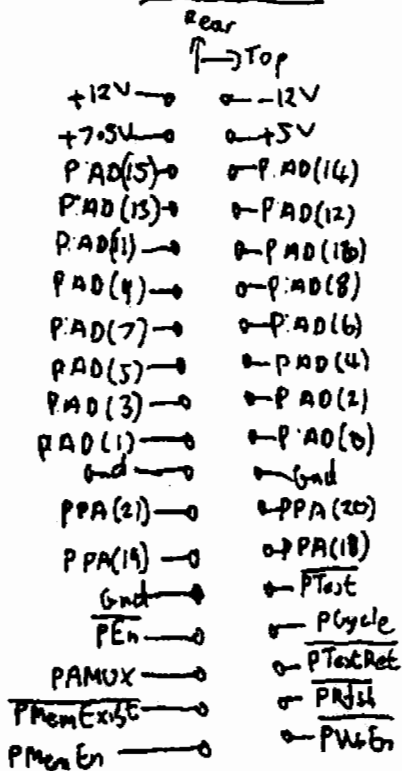
Rear Connector

Front Connector

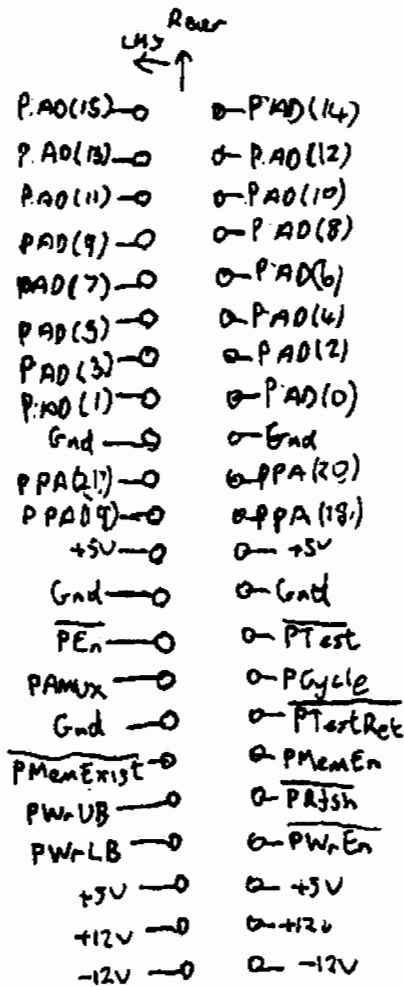
9845 Memory



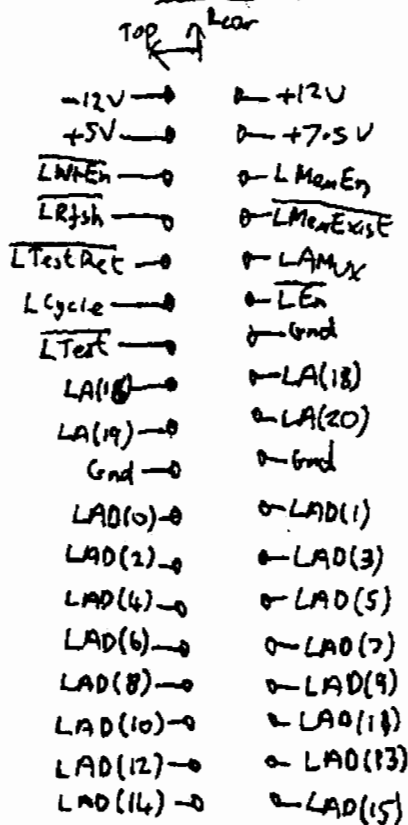
LH Memory PCBs



LH ROM Drawer
(Green)



RH Memory PCB



RH ROM Drawer
(Black)

HP9845

Rear Video Interface
 LHS ↑
 ←

VAEn → 0	VA16
VRq → 0	InE
VALE → 0	LPUC1k1n
EnHi → 0	VAck
Gnd → 0	Gnd
-Vm → 0	-Vm
+Vm → 0	+Vm
+5V → 0	+5V
Gnd → 0	-12V
RAD(1) → 0	RAD(0)
RAD(3) → 0	RAD(2)
RAD(5) → 0	RAD(4)
RAD(7) → 0	RAD(6)
RAD(9) → 0	RAD(8)
RAD(11) → 0	RAD(10)
RAD(13) → 0	RAD(12)
RAD(15) → 0	RAD(14)
Gnd → 0	Gnd

Monitor Connectors.

Rear
 LHS ↑
 ←

MonAck → 0	WinFull
MonStb → 0	OD15
Gnd → 0	MonClk Addr
Gnd → 0	+5V
MD(6) → 0	+5V
MD(7) → 0	+5V
MD(4) → 0	N/C
MD(5) → 0	-Vm
MD(2) → 0	-Vm
MD(3) → 0	+Vm
MD(0) → 0	+Vm
MD(1) → 0	Gnd
MD(9) → 0	Gnd
MD(8) → 0	MD(12)
MD(11) → 0	MD(13)
MD(10) → 0	MD(14)
DA14 → 0	Gnd
Gnd → 0	InE

PA(2) → 0	+5V
PA(3) → 0	+5V
PA(0) → 0	+12V
STS → 0	-12V
PA(1) → 0	Fly
DMAR → 0	Dout
IOSB → 0	Gnd
IRH → 0	Gnd
IC(1) → 0	10D(1)
InE → 0	10D(0)
IC(2) → 0	10D(3)
10D(14) → 0	10D(2)
10D(13) → 0	10D(5)
10D(12) → 0	10D(4)
10D(15) → 0	10D(7)
10D(10) → 0	10D(6)
10D(11) → 0	10D(8)
Gnd → 0	10D(9)

RH

LM

9843

1/0 slots Top
 ↗ LHS

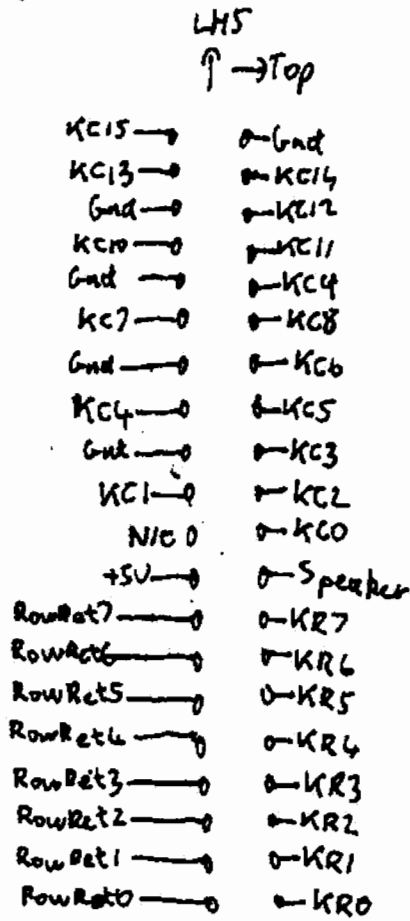
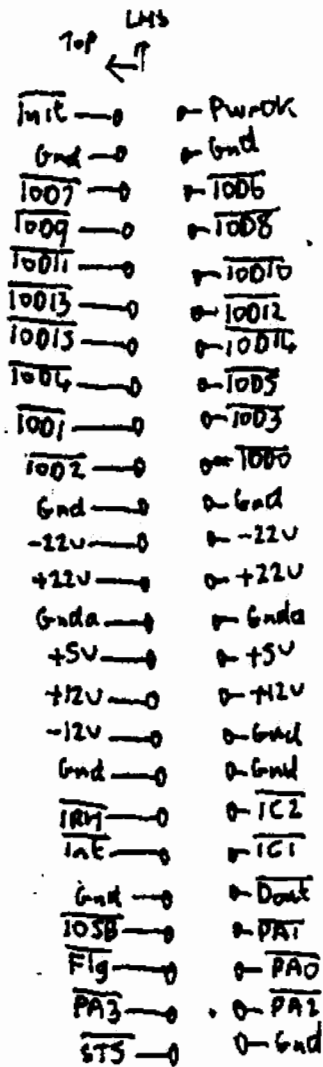
Gnd 0	0 +5V
B10D0 0	0 B1001
B10D2 0	0 B1003
B10D4 0	0 B1005
B10D6 0	0 B1007
B10D8 0	0 B1009
B10D10 0	0 B10011
B10D12 0	0 B10013
B10D14 0	0 B10015
B1RL 0	0 B1RL
B1RH 0	0 B1RH
B1RL 0	0 B1ST5
BPA0 0	0 B1C1
BPA1 0	0 B1C2
BPA2 0	0 B105B
BPA3 0	0 B0Gnd
Shield 0	0 BDMAR
+12V 0	0 -12V

LHS
 ↑ → Rear

-12V 0	0 -12V
+5V 0	0 +5V
+12V 0	0 +12V
Int 0	0 Gnd
Gnd 0	0 Gnd
1006 0	0 1007
1008 0	0 1009
1010 0	0 1011
1012 0	0 1013
1014 0	0 1015
1C2 0	0 1RH
1C1 0	0 1RL
DMAR 0	0 ST5
Dont 0	0 Int
1005 0	0 1004
1003 0	0 1001
Shield 0	0 Shield
Gnd 0	0 Gnd
1006 0	0 1002
105B 0	0 PA1
Fly 0	0 PA0
PA3 0	0 PA2

1/0 Backplane → Main Backplane

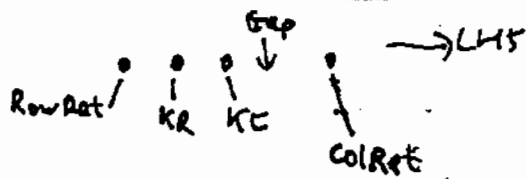
HP9845 Keyboard Assembly



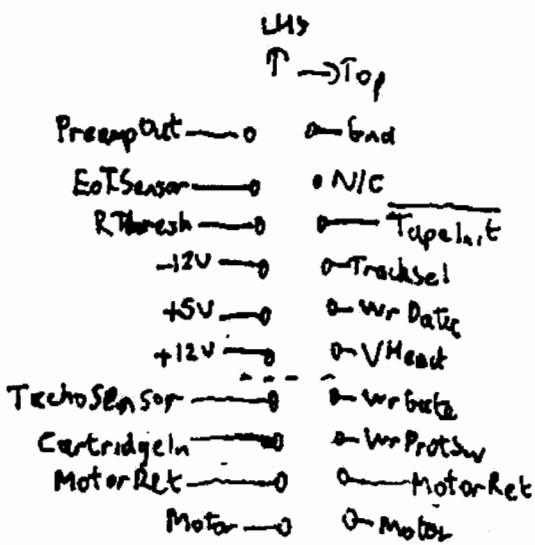
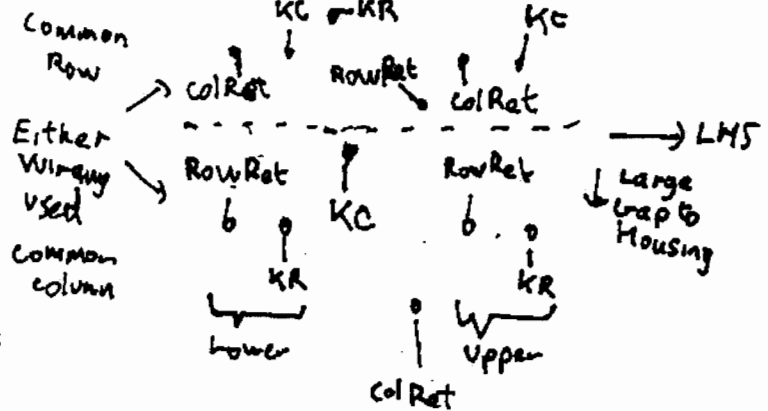
Keyboard
→ Controller

Tape Controller
→ Interconnect

Key Switch Connections



Normal Key



Tape Controller
→ Drive

3-state Key

Bottom View

Rear
↑

Gnd →	MotorLd
MotorLac →	MotorDec
+5V →	+5V
-12V →	-12V
+12V →	+12V
Gnd →	Gnd
PAZ →	PA3
Fig →	PA0
STS →	PA1
DMAR →	IO5B
IRL →	DMAR
IRH →	IC1
InE →	IC2
Gnd →	Gnd
10014 →	10015
10012 →	10013
10010 →	10011
1008 →	1009
1006 →	1007
1004 →	1005
1002 →	1003
1000 →	1001
Gnd →	Gnd
Gnd →	InE

Rear
↑

MotorLd →	+7.5V
MotorDec →	MotorLac
+5V →	+5V
-12V →	-12V
+12V →	+12V
Gnd →	Gnd
PA3 →	PAZ
PA0 →	Fig
PA1 →	STS
IO5B →	DMAR
DMAR →	IRL
IC1 →	IRH
IC2 →	InE
Gnd →	Gnd
10014 →	10015
10012 →	10013
10010 →	10011
1008 →	1009
1006 →	1007
1004 →	1005
1002 →	1003
1000 →	1001
Gnd →	Gnd
LPVckIn →	InE

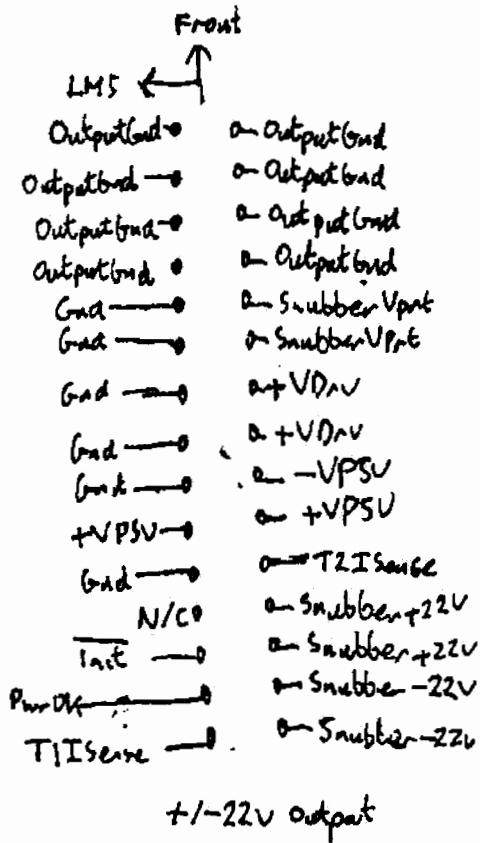
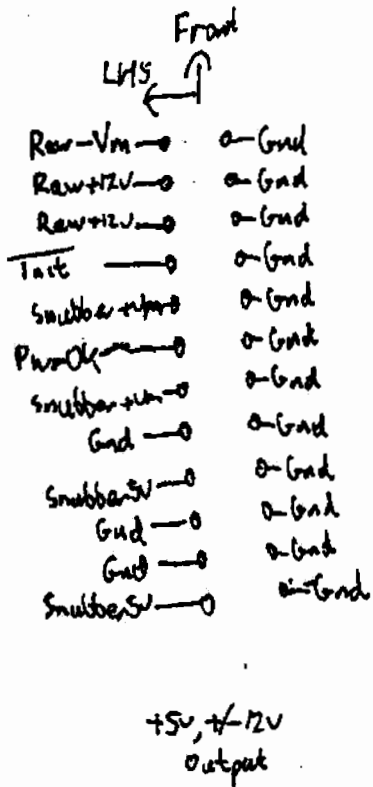
PhData →	PhSt6A
RPhClk →	RPhSt6B
FeedSw →	PrtEn
ToFSW →	PaperSense
PrtPwrOn →	Spare (N/C)
Gnd →	Gnd
Gnd →	Gnd
+VPrt →	+VPrt
+22V →	+22V
-22V →	-22V

PhData →	PhSt6A
RPhClk →	RPhSt6B
FeedSw →	PrtEn
ToFSW →	PaperSense
Gnd →	Gnd
PrtPwrOn → (VPI0)	Spare (Gnd)

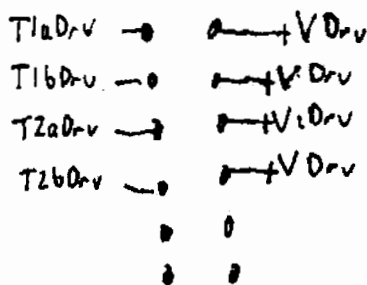
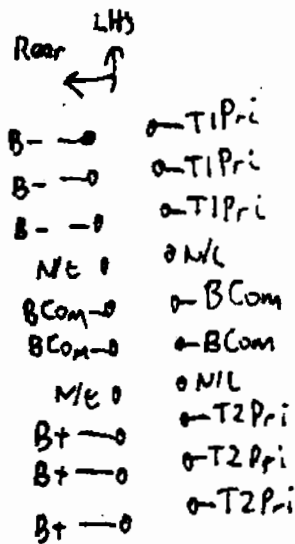
Printer I/F

Printer Driver

HP 9845 PSU

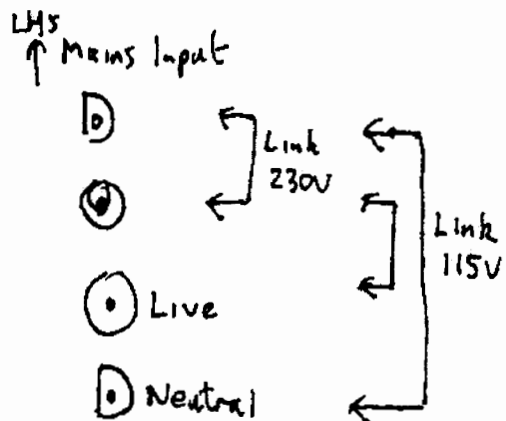


PSU Mainboard



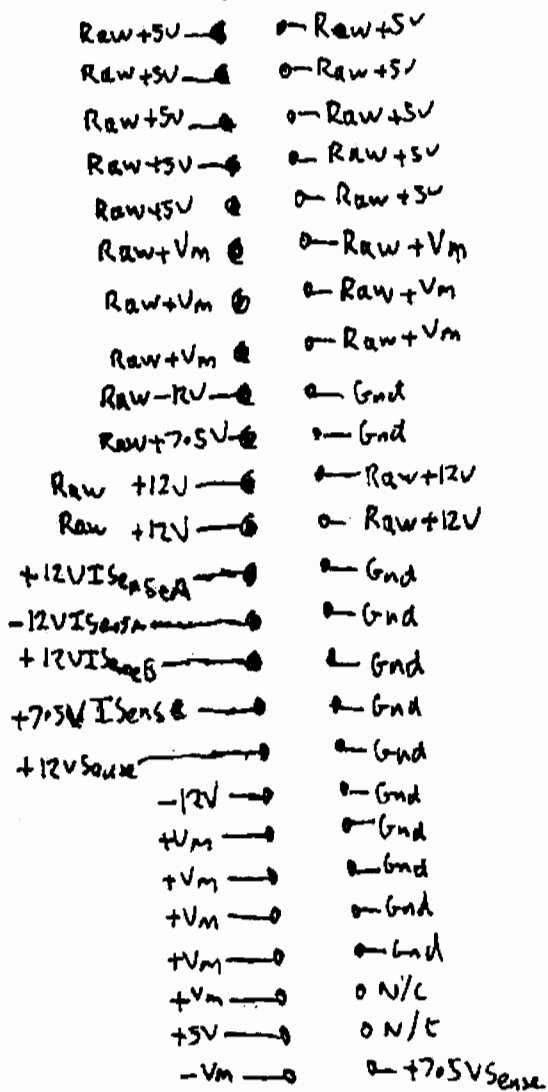
Chopper PCB
to Mainboard

Chopper Drive



HP9845 PSU

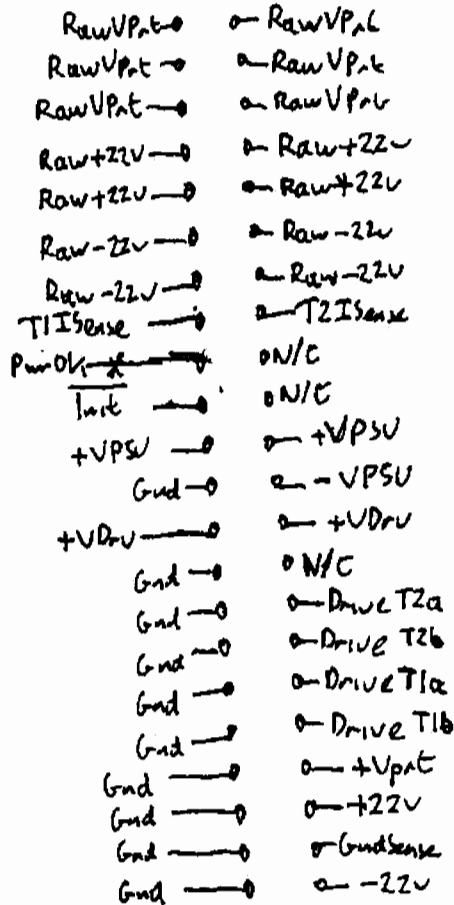
Top
LMS ← ↑



(LM Connector)

+5, +/-12V Output PCB

PSU Control PCB



(RH Connector)

+/-22V Output PCB

HP 9845 High Speed Language Processor

RHS ↑ Rear
←

Gnd — C —> Gnd
 LPVckEn — C —> CClkEn
 YDckEn — C —> Gnd
 LPUBusEn — C —> Sel10D
 Gnd — C —> Gnd
 Lp(2) — C —> Lp(3)
 +5V — C —> RegWrA
 B(0) — C —> B(1)
 B(2) — C —> B(3)
 Dsel(0) — C —> Dsel(1)
 Lp(8) — C —> N/C Lp(9)
 Lp(10) — C —> RkAZ
 Gnd — C —> RkERO
 Gnd — C —> Gnd
 +5V — C —> +5V
 +5V — C —> +5V
 +5V — C —> +5V
 Gnd — C —> Gnd
 Gnd — C —> Gnd
 Gnd — C —> Gnd
 D(1) — C —> D(0)
 D(3) — C —> D(2)
 D(5) — C —> D(4)
 D(7) — C —> D(6)
 +5V — C —> +5V
 D(9) — C —> D(8)
 D(11) — C —> D(10)
 D(13) — C —> D(12)
 D(15) — C —> D(14)
 Gnd — C —> Gnd
 Y(1) — C —> Y(0)
 Y(3) — C —> Y(2)
 Y(5) — C —> Y(4)
 Y(7) — C —> Y(6)
 +5V — C —> +5V
 Y(9) — C —> Y(8)
 Y(11) — C —> Y(10)
 Y(13) — C —> Y(12)
 Y(15) — C —> Y(14)
 Gnd — C —> Gnd

+5V — C —> +5V
 Gnd — C —> Gnd
 LPVck — C —> LPVckR
 LPVckR — C —> LPVckR
 Gnd — C —> Gnd
 CClk — C —> CClkR
 Gnd — C —> Gnd
 LatchClk — C —> LatchClkR
 Gnd — C —> Gnd
 Rk(2) — C —> Rk(3)
 Rk(0) — C —> Rk(1)
 YDECT — C —> YDECT
 RA(2) — C —> DEnA
 RA(0) — C —> RA(1)
 WpLB — C —> WpUB
 Gnd — C —> DLP(3)
 Gnd — C —> Gnd
 RkCtrl — C —> LdXFA
 N/C — C —> N/C
 Gnd — C —> LdEn
 Gnd — C —> Gnd
 AMvck — C —> RegLdEn
 FEn — C —> Bsel
 JOE — C —> LdBpEn
 Gnd — C —> Gnd
 RegAddrDir — C —> LPURk
 Gnd — C —> Gnd
 RegAddrLd — C —> Gnd
 Gnd — C —> Gnd
 RegWr — C —> ExtReg5
 Gnd — C —> Gnd
 RkFlg — (Key) — C —> Sel2
 Lp(33) — C —> Sel3
 Lp(35) — C —> Lp(34)
 +5V — C —> +5V
 +5V — C —> +5V
 +5V — C —> +5V
 Gnd — C —> Gnd
 Gnd — C —> Gnd
 Gnd — C —> Gnd

(Front Connector)

(Rear Connector)

Interface PCB

09845-66536

HP9845 High Speed Language Processor

Rear
RMS ↑

Gnd — C —> Gnd
 N(0) — C —> N(1)
 N(2) — C —> N(3)
 N(4) — C —> N(5)
 N(6) — C —> N(7)
 Gnd — C —> Gnd
 Chd — C —> RegWrA
 B(0) — C —> B(1)
 B(2) — C —> B(3)
 Dsel(0) — C —> Dsel(1)
 RntZ — C —> Lp(9)
 RntRCO — C —> Lp(11)
 Lp(12) — C —> Lp(13)
 Lp(14) — C —> Lp(15)
 Lp(16) — C —> Lp(17)
 Lp(18) — C —> Lp(19)
 Lp(20) — C —> Lp(21)
 Lp(22) — C —> Lp(23)
 Lp(24) — C —> Lp(25)
 Gnd — C —> Gnd
 D(1) — C —> D(0)
 D(3) — C —> D(2)
 D(5) — C —> D(4)
 D(7) — C —> D(6)
 +5V — C —> +5V
 D(9) — C —> D(8)
 D(11) — C —> D(10)
 D(13) — C —> D(12)
 D(15) — C —> D(14)
 Gnd — C —> Gnd
 Y(1) — C —> Y(0)
 Y(3) — C —> Y(2)
 Y(5) — C —> Y(4)
 Y(7) — C —> Y(6)
 +5V — C —> +5V
 Y(9) — C —> Y(8)
 Y(11) — C —> Y(10)
 Y(13) — C —> Y(12)
 Y(15) — C —> Y(14)
 Gnd — C —> Gnd

(Rear Connector)

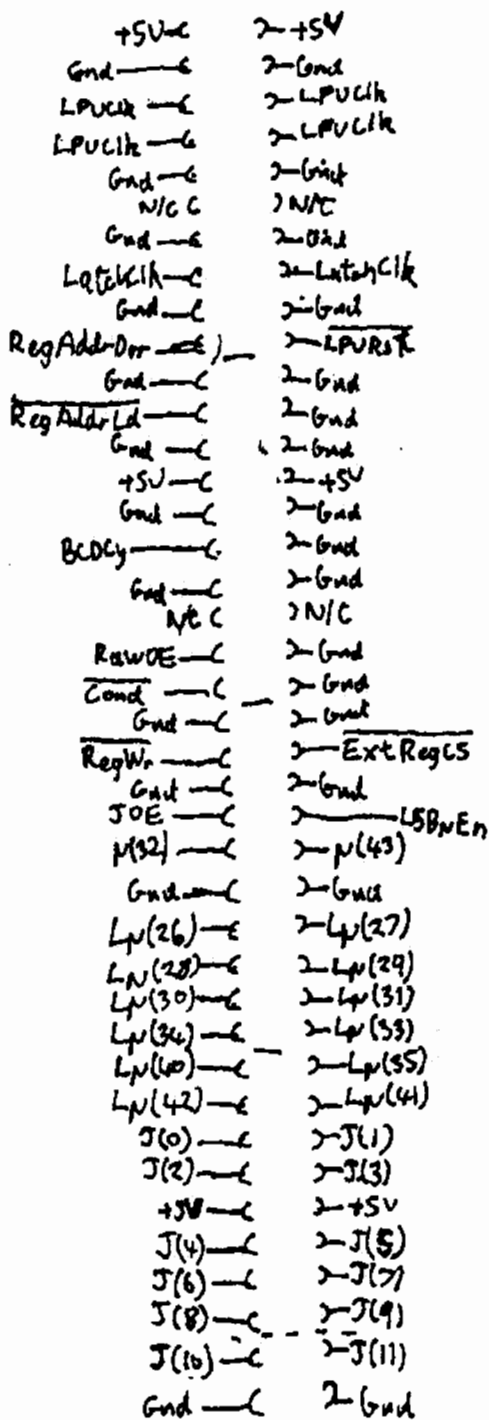
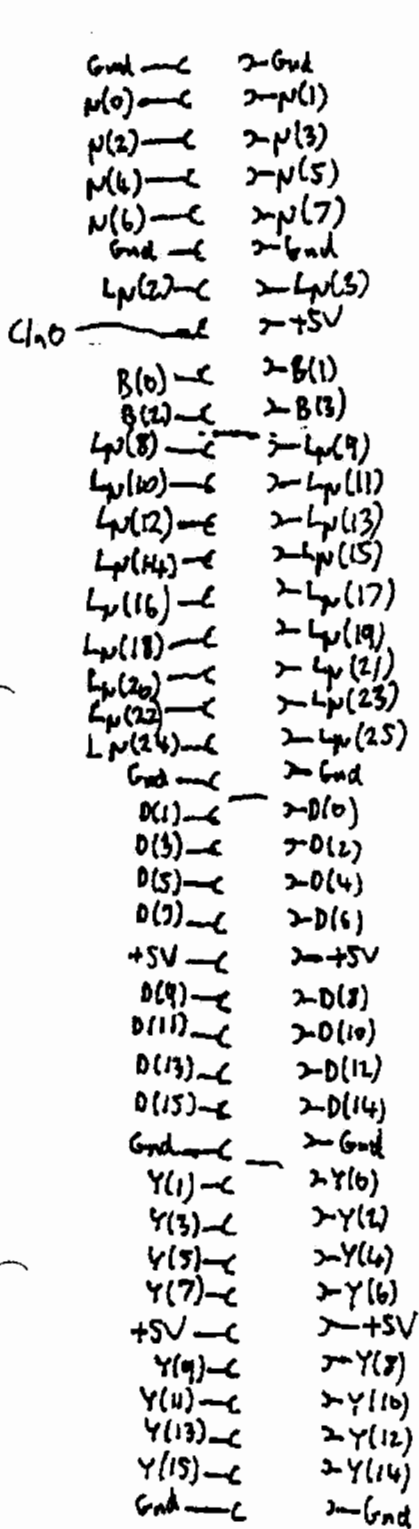
+5V — C —> +5V
 Gnd — C —> Gnd
 LPVClk — C —> LPVClk
 LPVClk — C —> LPVClk
 Gnd — C —> Gnd
 CC1K — C —> CC1K
 Gnd — C —> Gnd
 LatchClk — C —> LatchClk
 Gnd — C —> Gnd
 RC(2) — C —> RC(3)
 RC(0) — C —> RC(1)
 YDEC7 — C —> YDEC6
 RA(2) — C —> DENA
 RA(0) — C —> RA(1)
 WrLB — C —> WrLB
 BDCy — C —> DLp(33)
 Gnd — C —> Gnd
 RActri — C —> LdXA
 RawOE — C —> QEn
 Cond — C —> LdEn
 Gnd — C —> Gnd
 AMuxIn — C —> RegLdEn
 REn — C —> Bsel
 JOE — C —> LSBnEn
 N(32) — C —> N(43)
 Gnd — C —> Gnd
 Lp(26) — C —> Lp(27)
 Lp(28) — C —> Lp(29)
 Lp(30) — C —> Lp(31)
 Lp(32) — C —> Sx12
 KFig — (Key) — C —> Sx13
 Lp(40) — C —> Lp(41)
 Lp(42) — C —> Lp(41)
 J(0) — C —> J(1)
 J(2) — C —> J(3)
 +5V — C —> +5V
 J(4) — C —> J(5)
 J(6) — C —> J(7)
 J(8) — C —> J(9)
 J(10) — C —> J(11)
 Gnd — C —> Gnd

(Front Connector)

Data Path PCB

09845-66537

HP9845 High Speed Language Processor



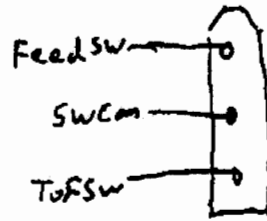
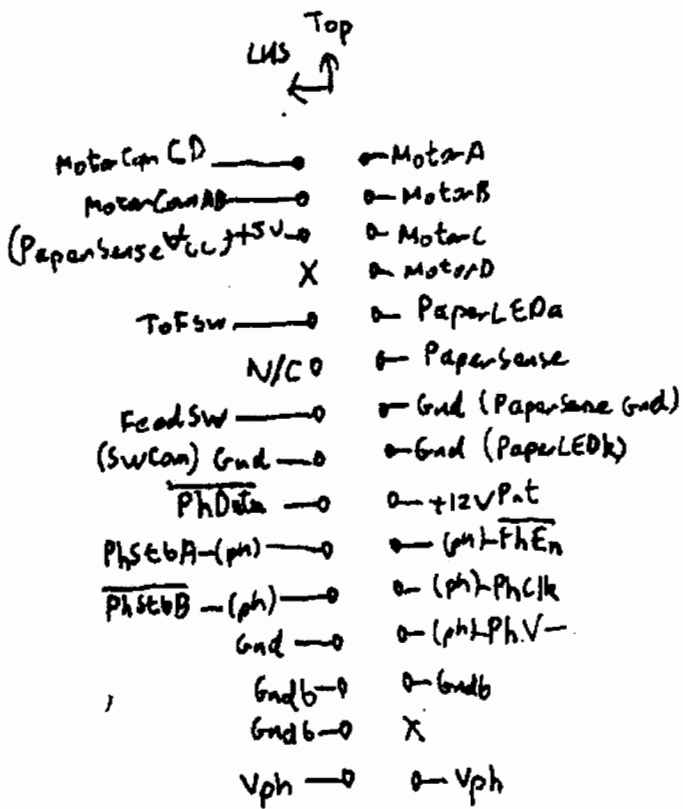
(Front Connector)

(Rear Connector)

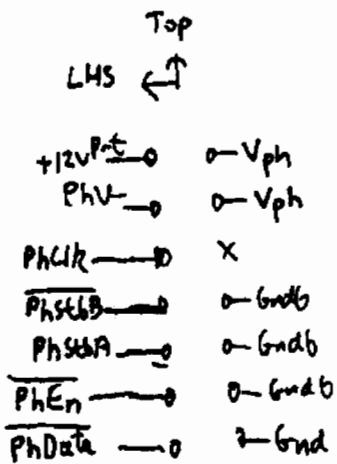
Control PCB

09845-66538

9845 Printer

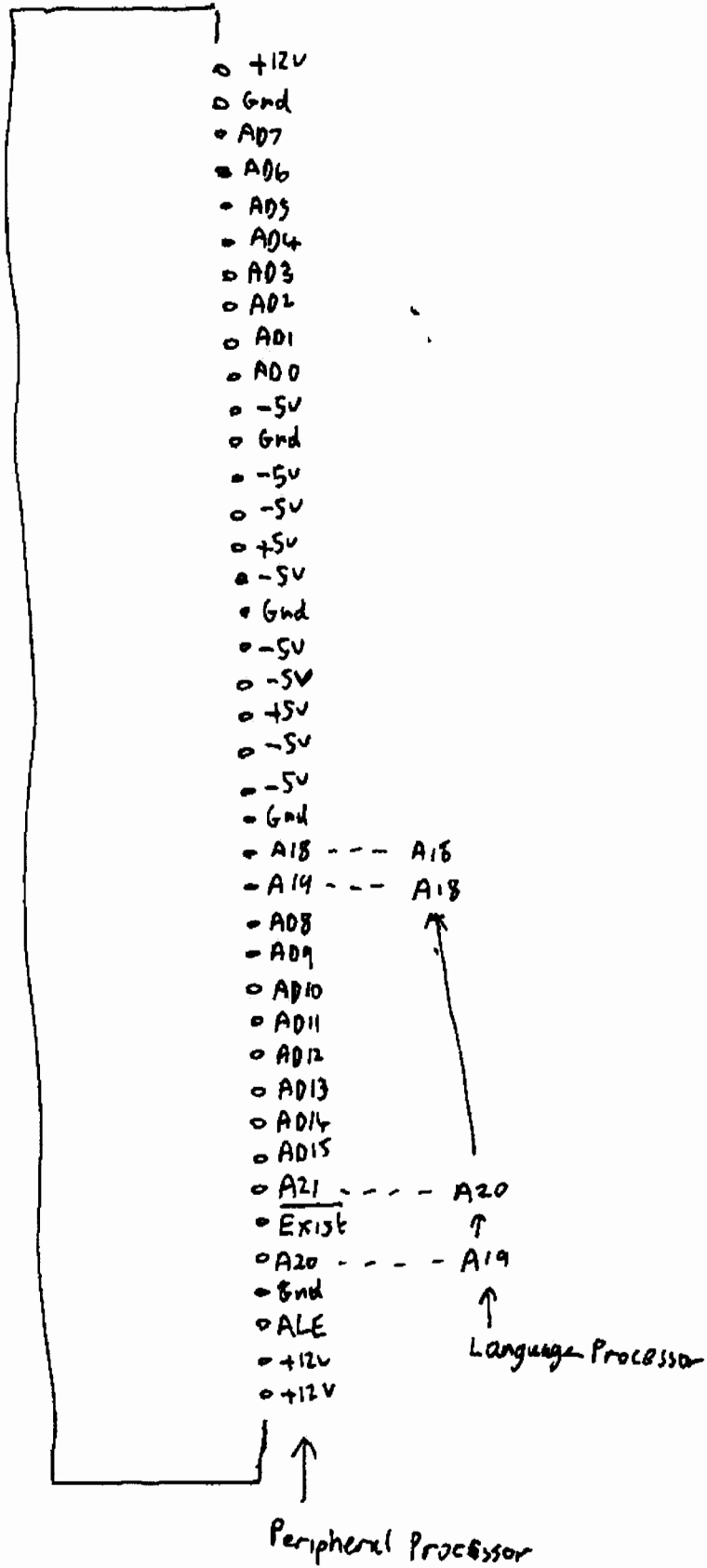


Switch Connector

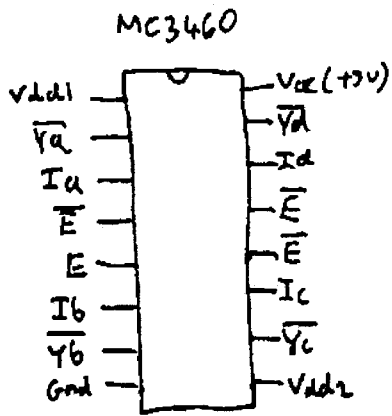


Printhead Connector

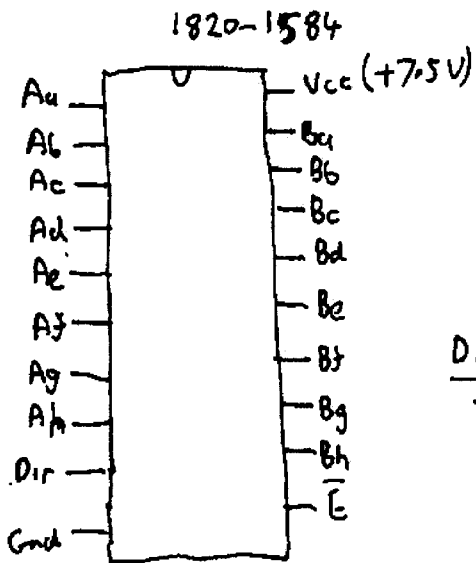
HP9845 ROM Module
(Connector face side)



9845



Quad Driver

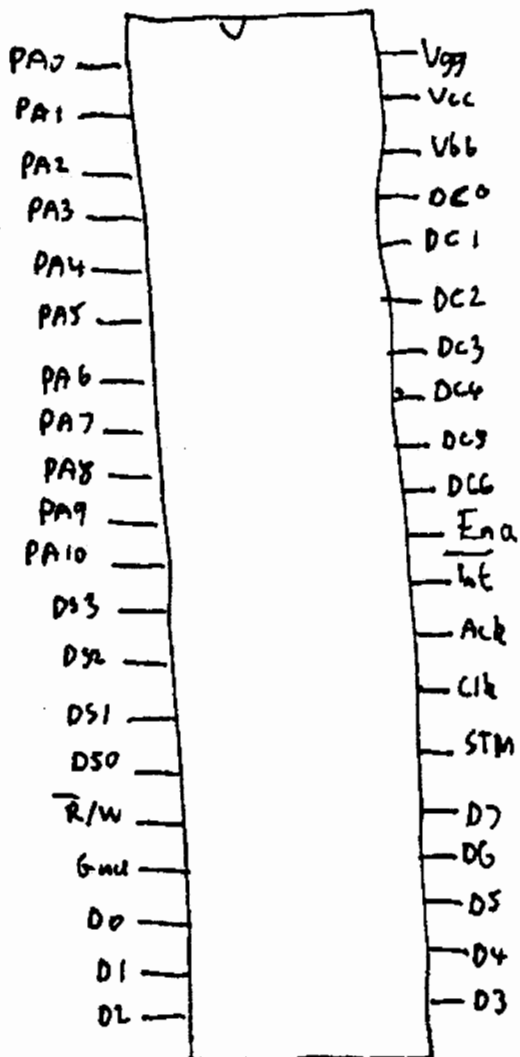


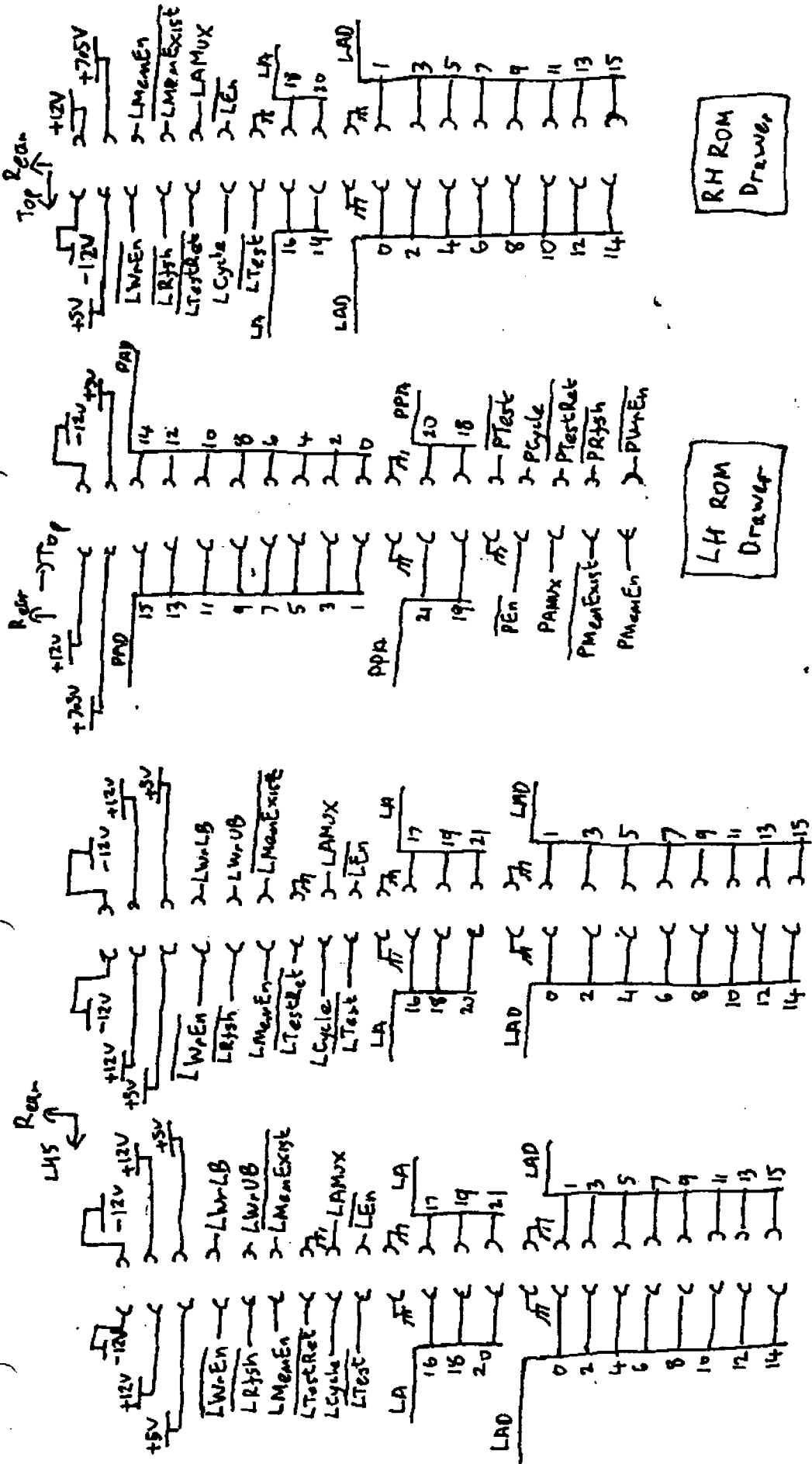
Dir	\overline{E}	
X	H	HgZ A,B
H	L	B \rightarrow A
L	L	A \rightarrow B

Octal Inverting Transceiver

4845

1820-1642
Nanocontroller



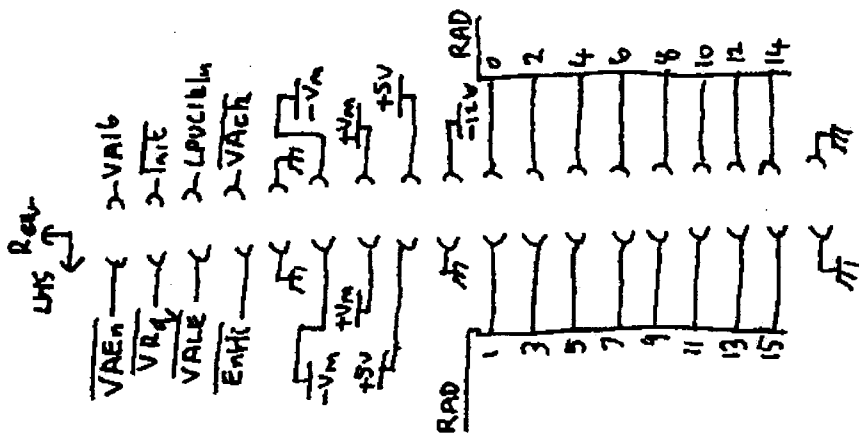


LPU Memory
09845-66590
(Typical of 3)

LPU ROM/ROM
09845-66546

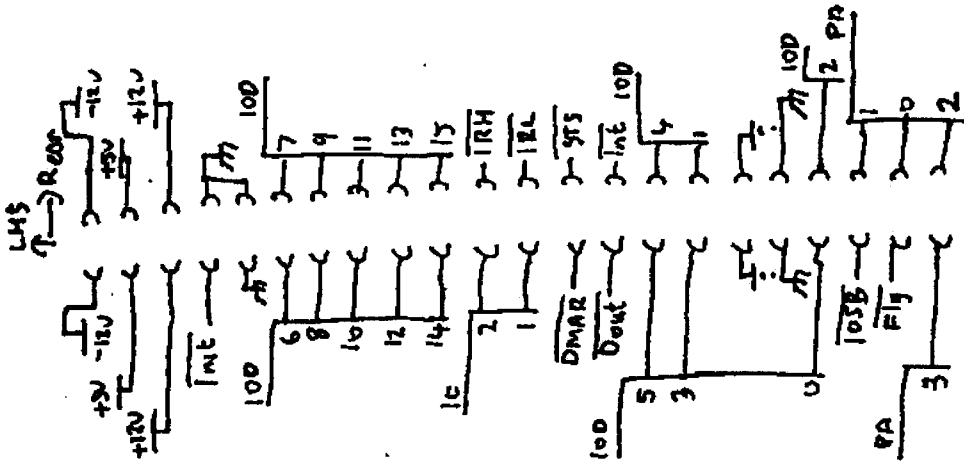
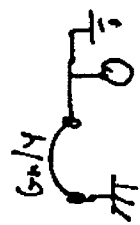
LH ROM
Drawer

RH ROM
Drawer



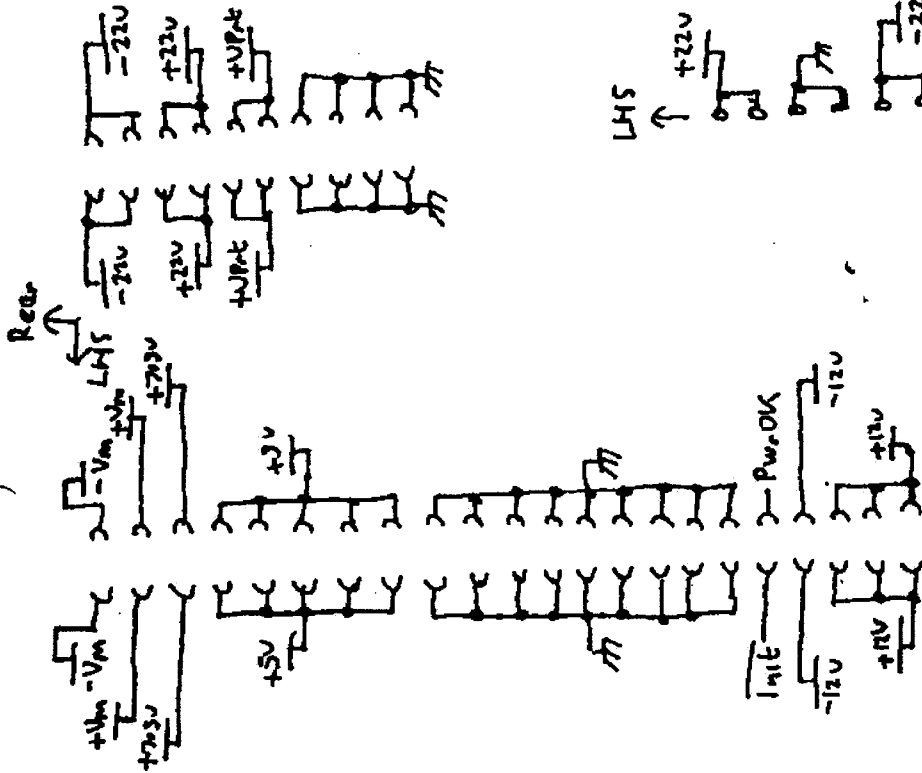
Video Interface

98770-66534

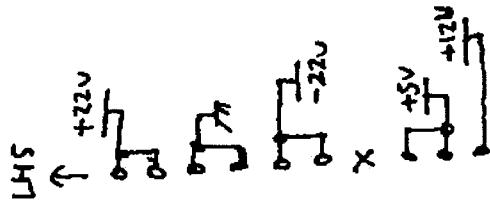


I/O Backplane

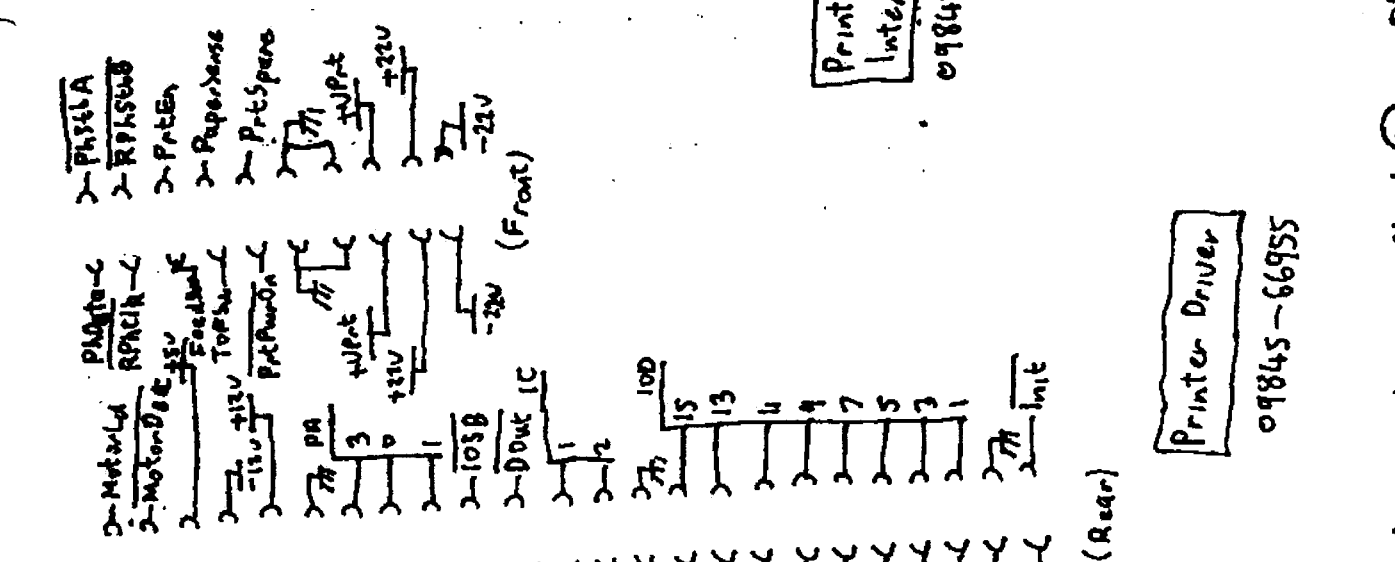
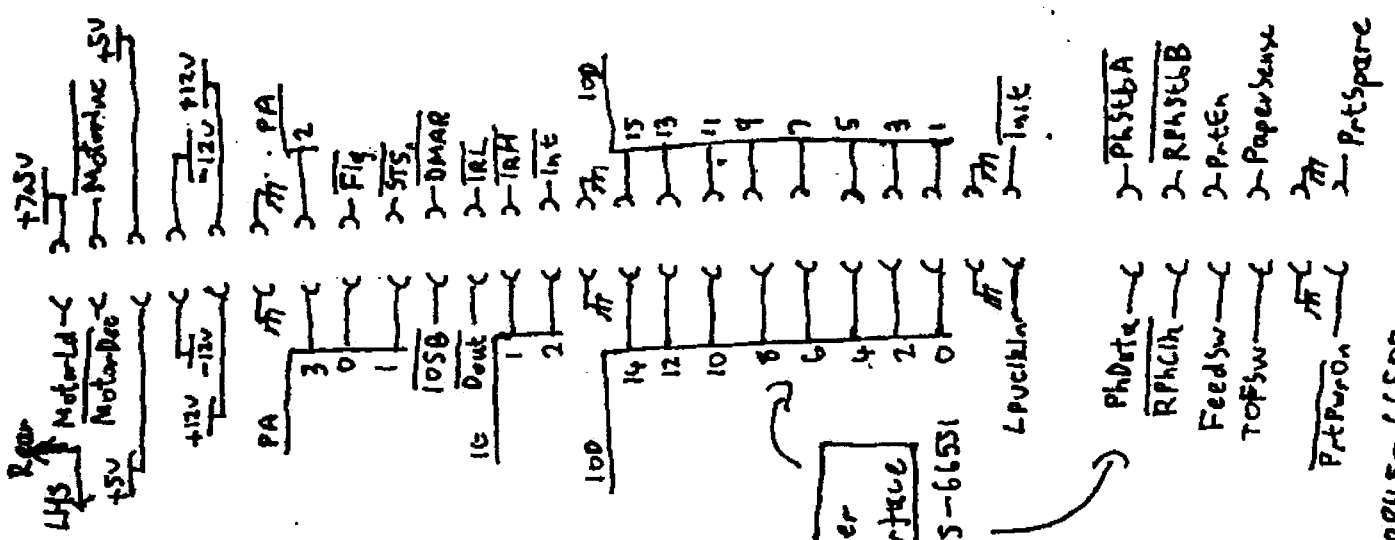
09845-66502



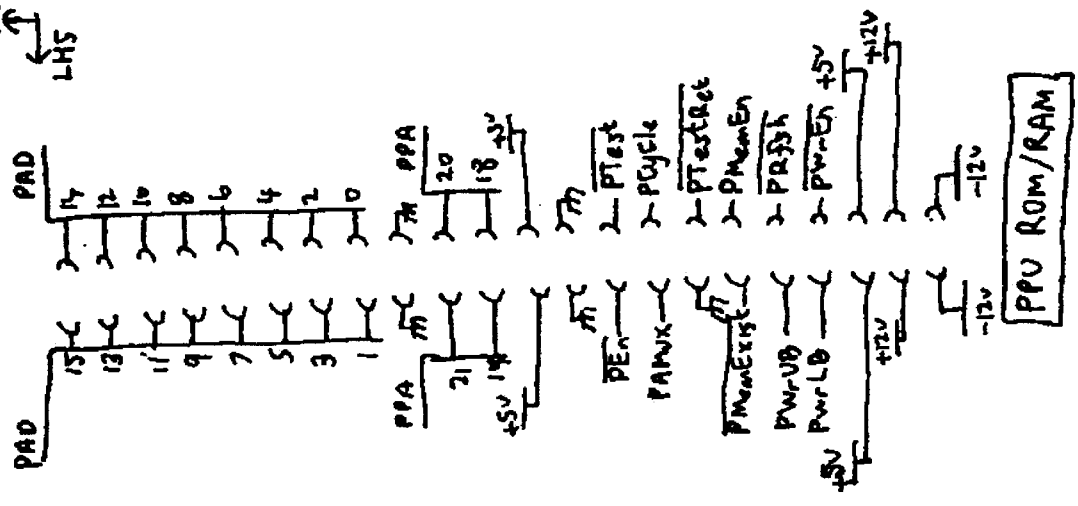
PSU



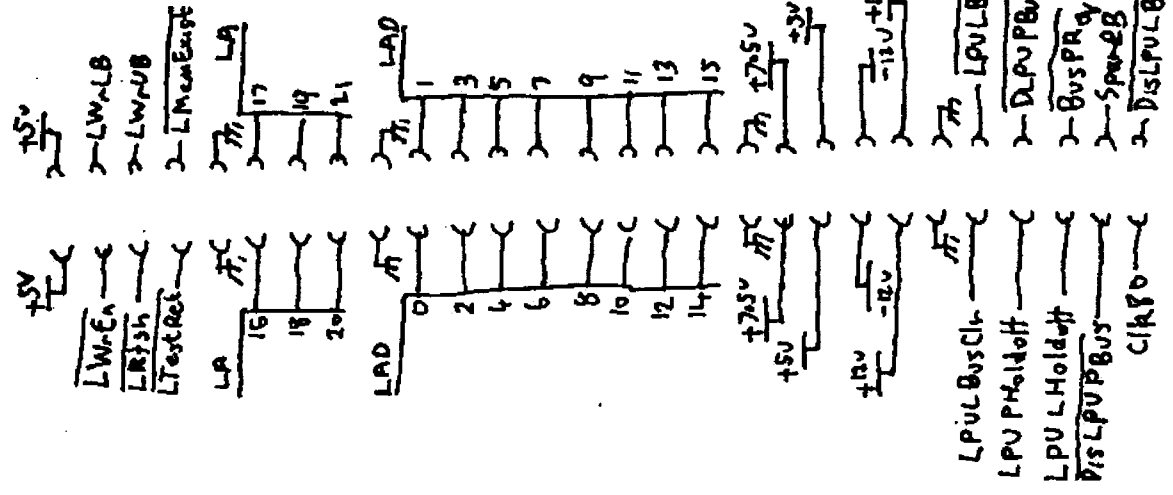
Keyboard Assembly Power Connector



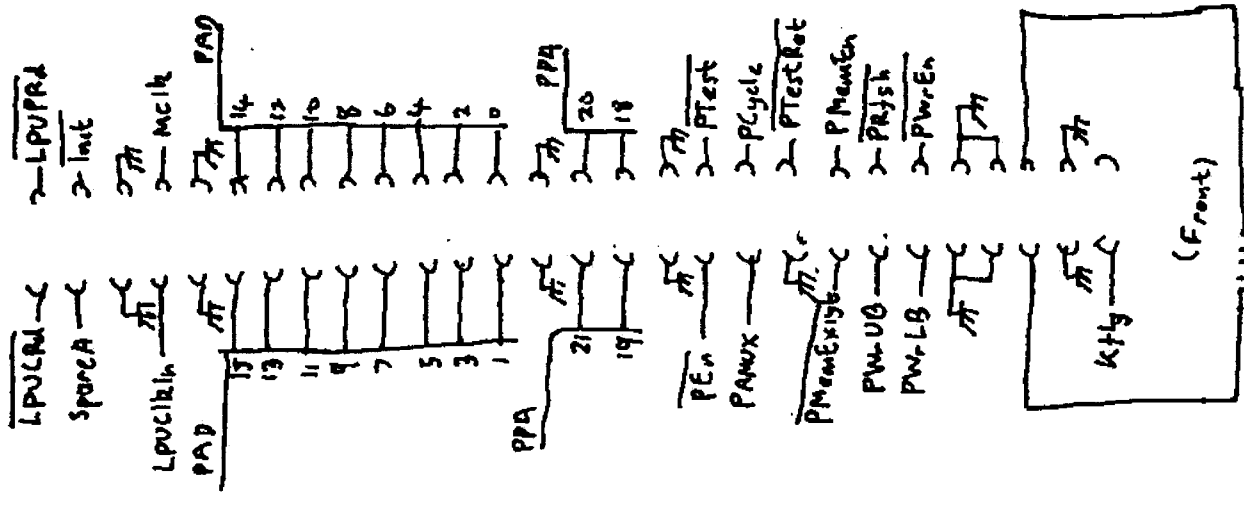
Rear
LHS



PPU ROM/RAM
09845-66529



(Rear)

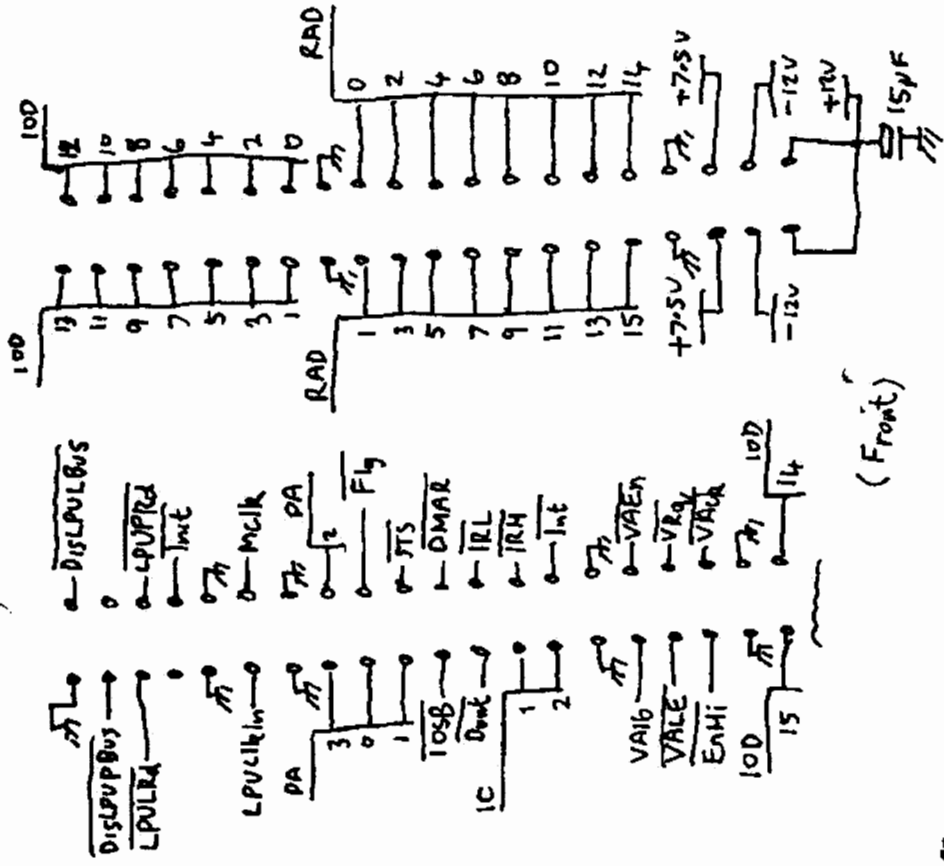


(Front)

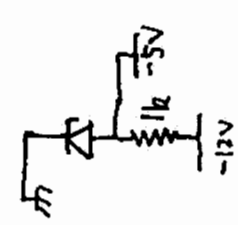
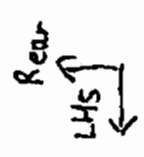
Language Processor (PCBTrack)

09845-66500

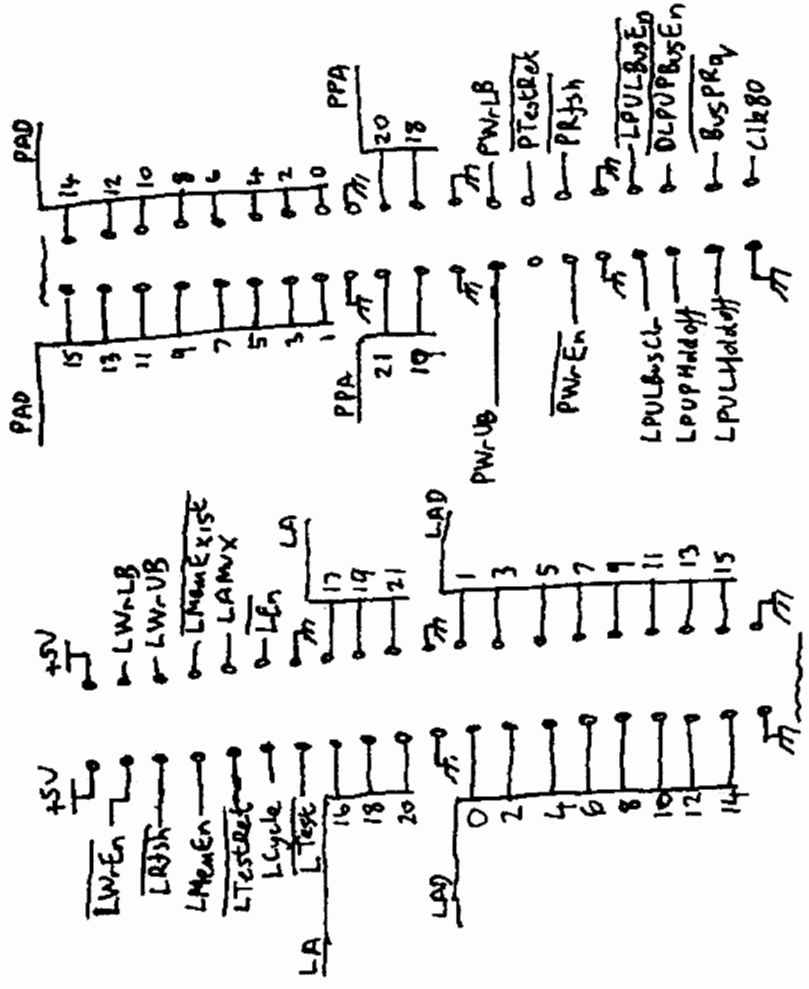
HP9845 Main Backplane Sheet 5



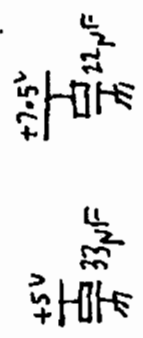
(Front)

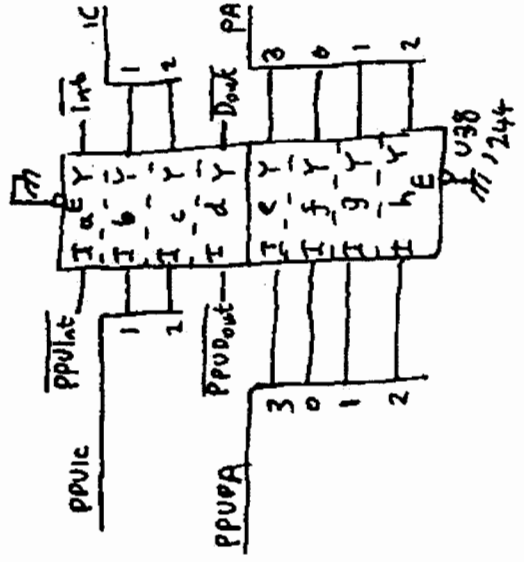
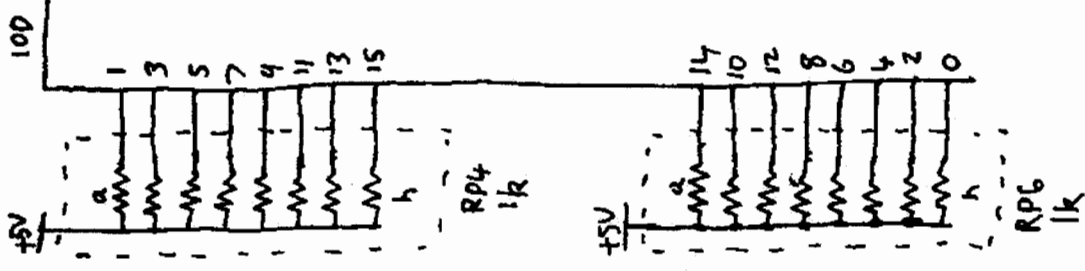


Main Backplane connectors

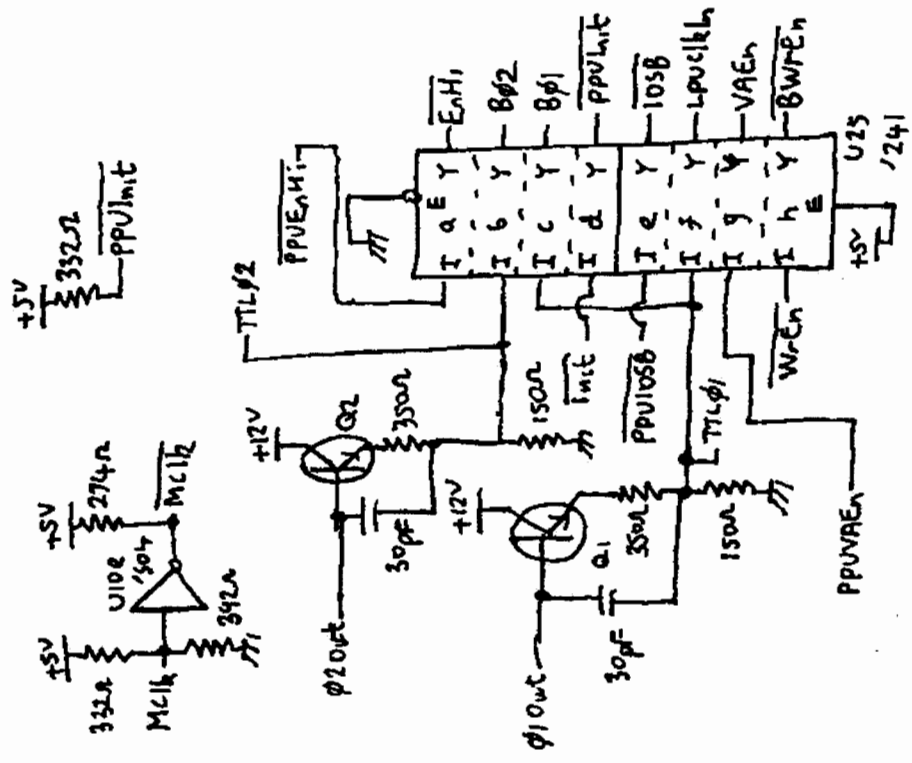


(Rear)

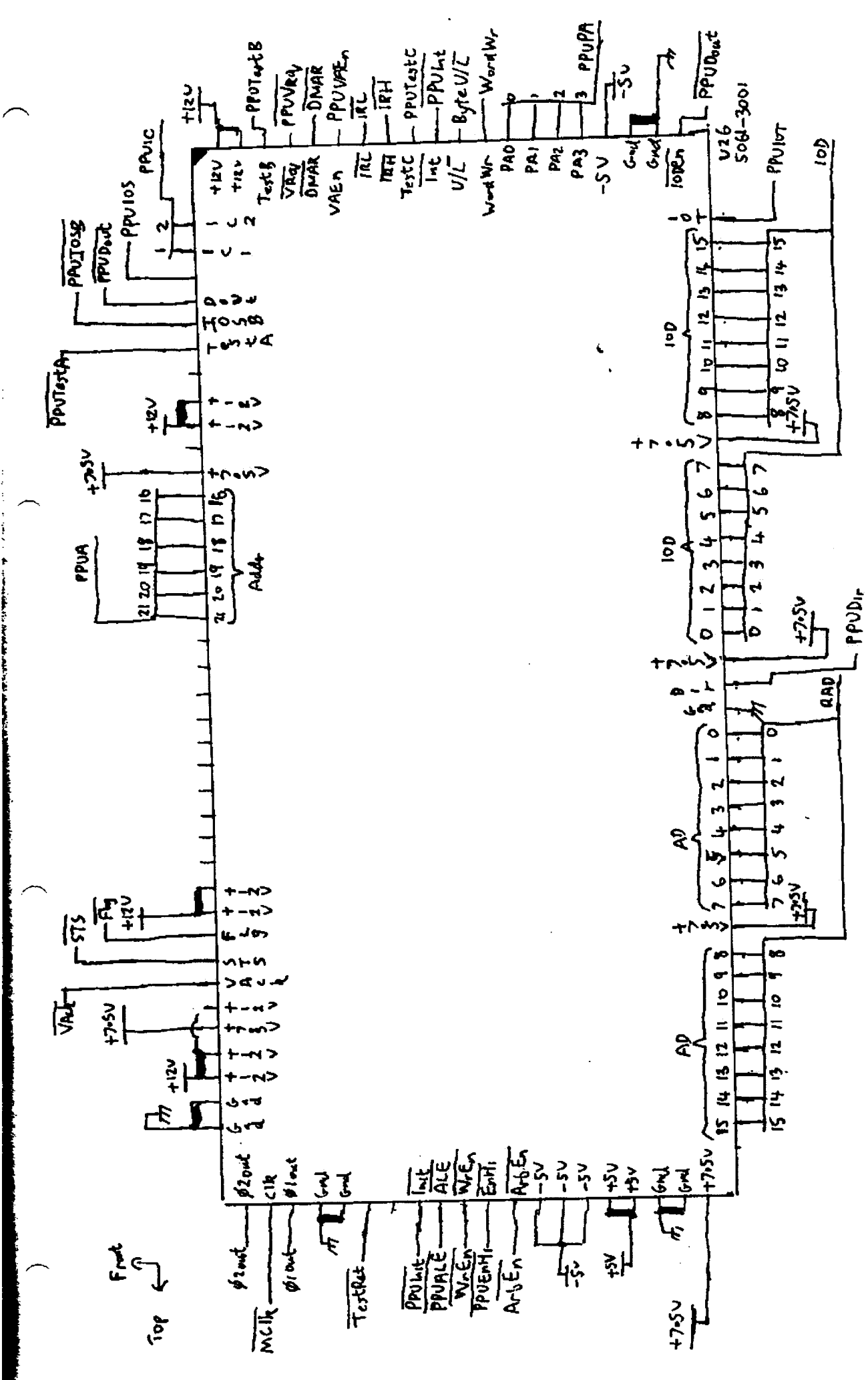




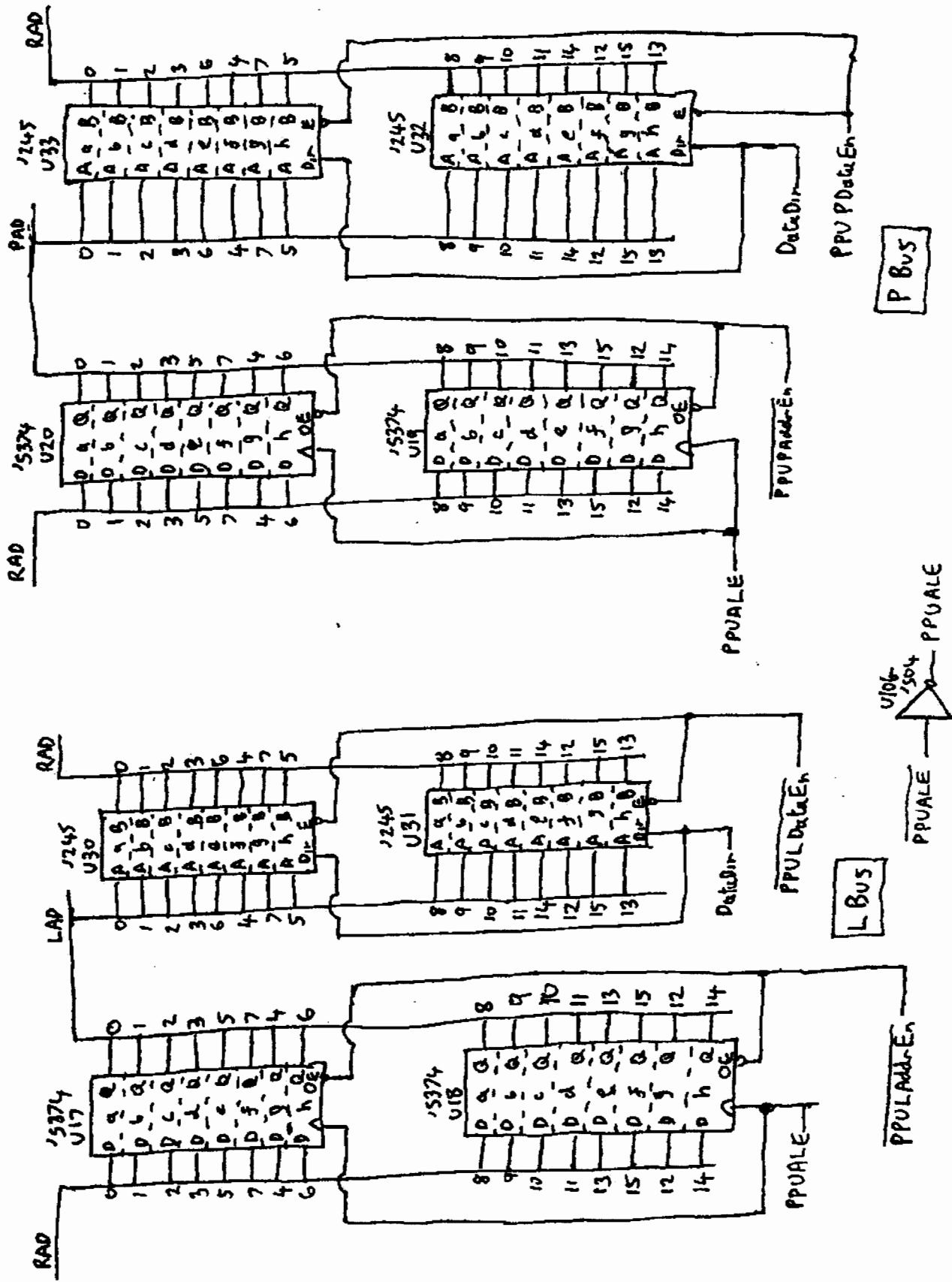
I/O Bus

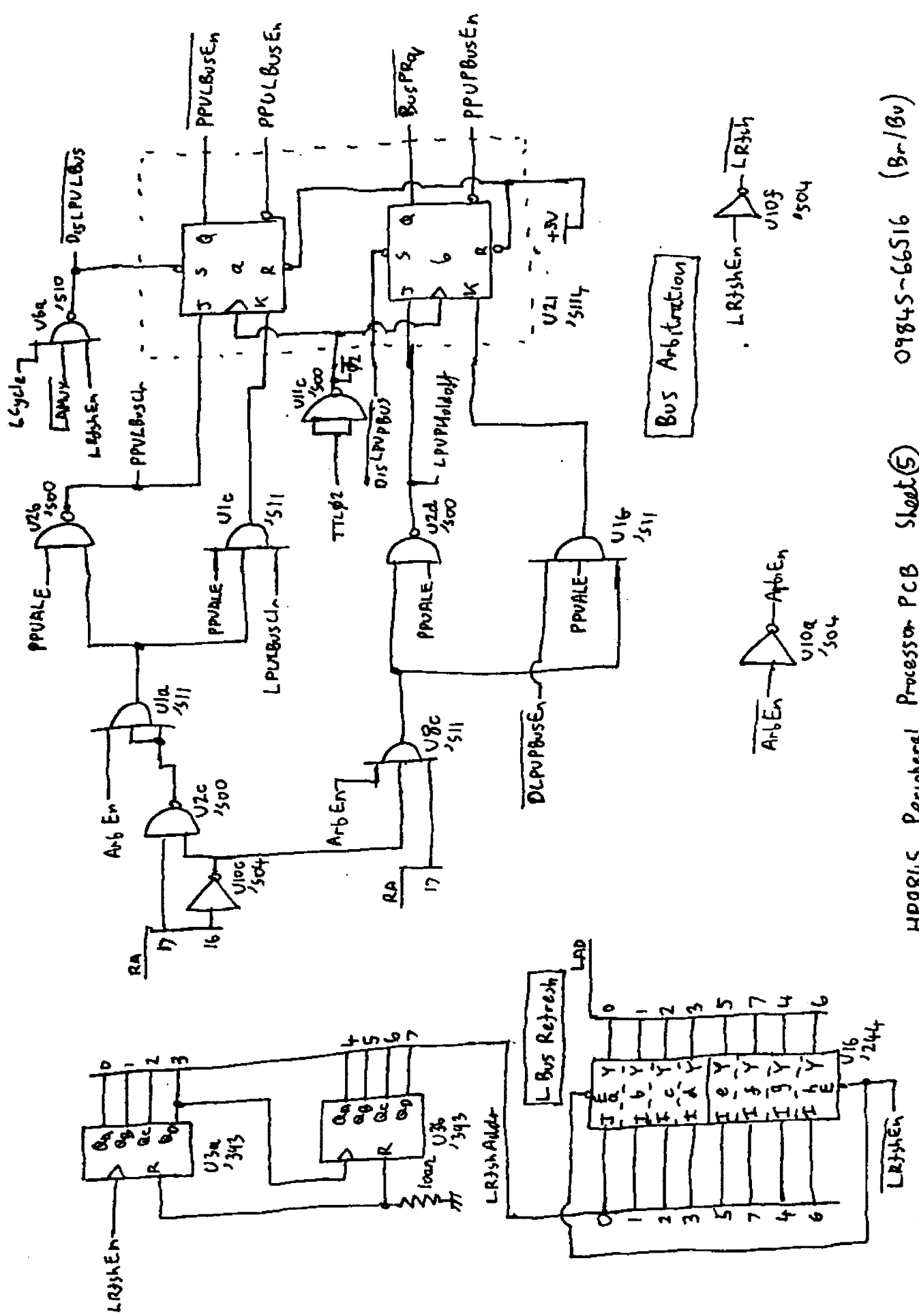


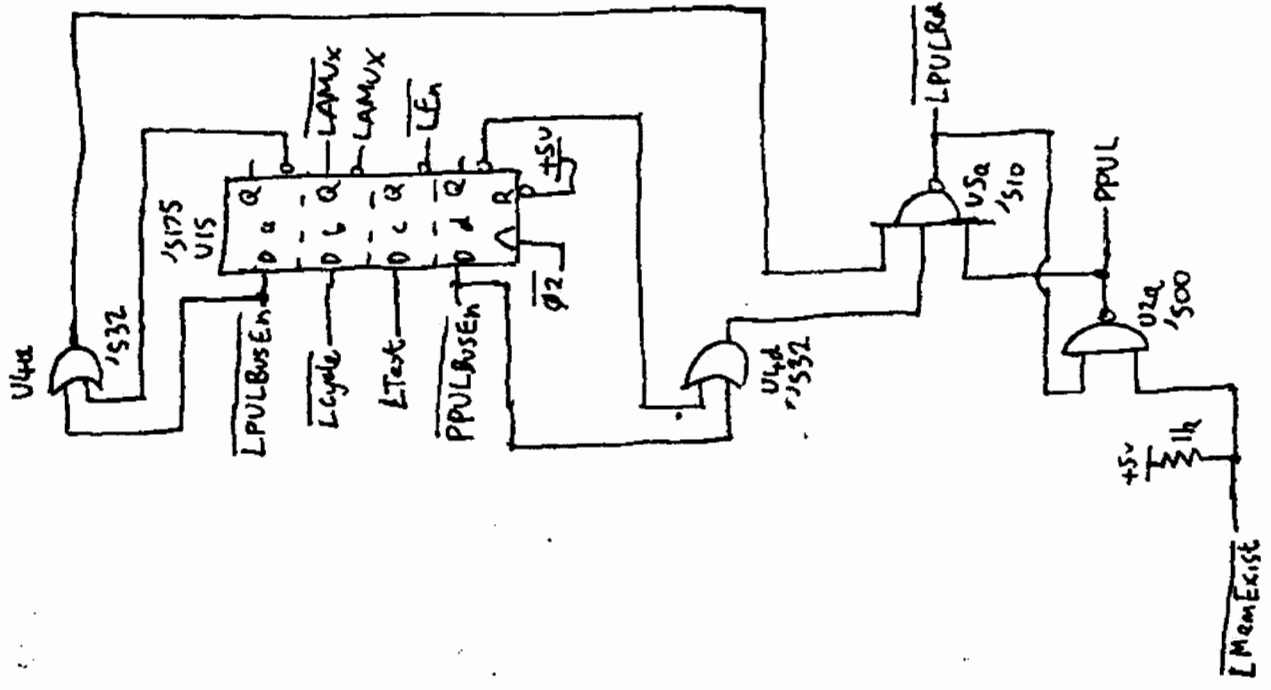
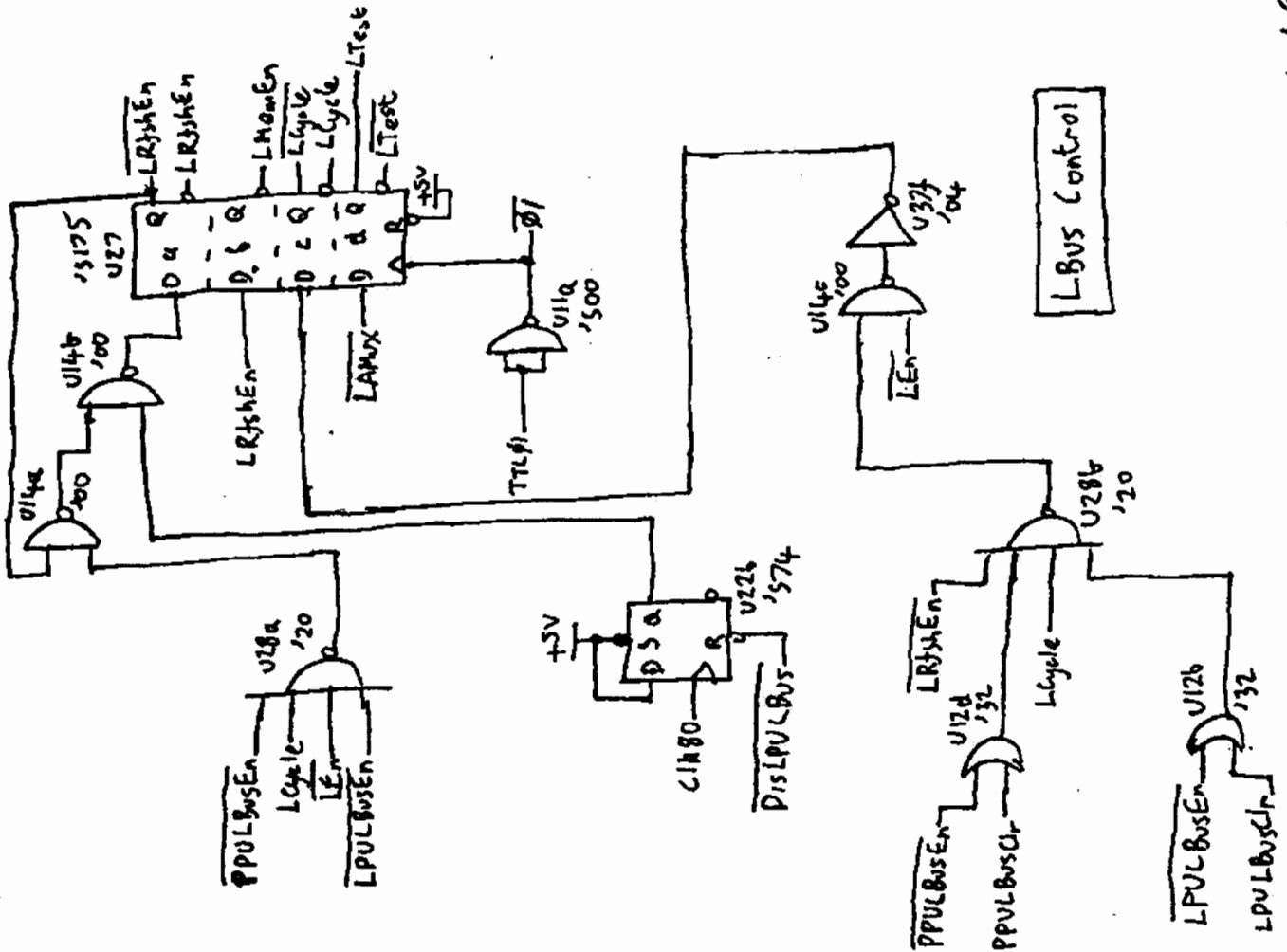
Clock Buffers

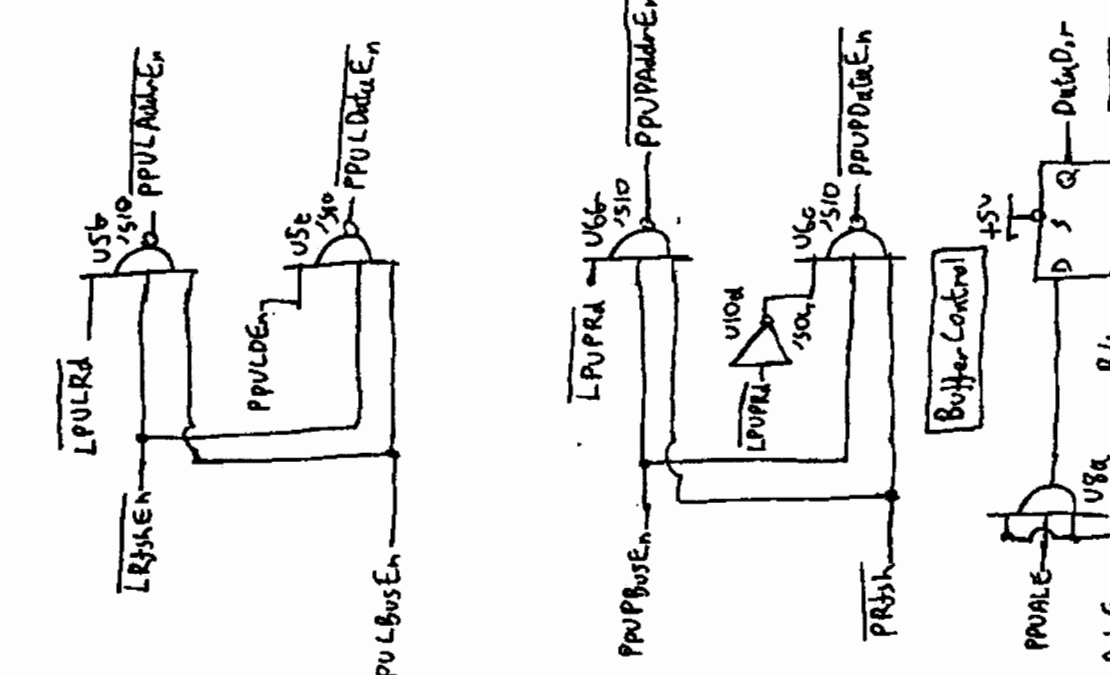
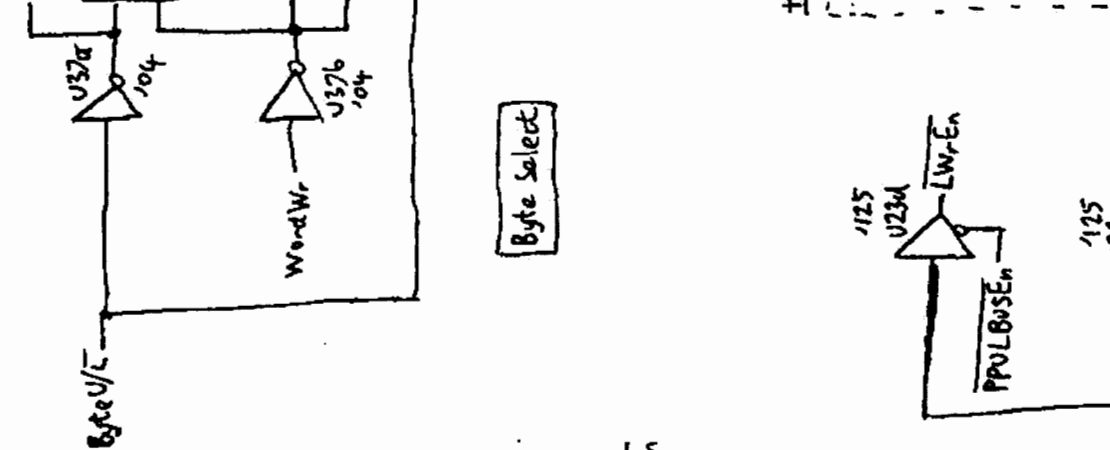
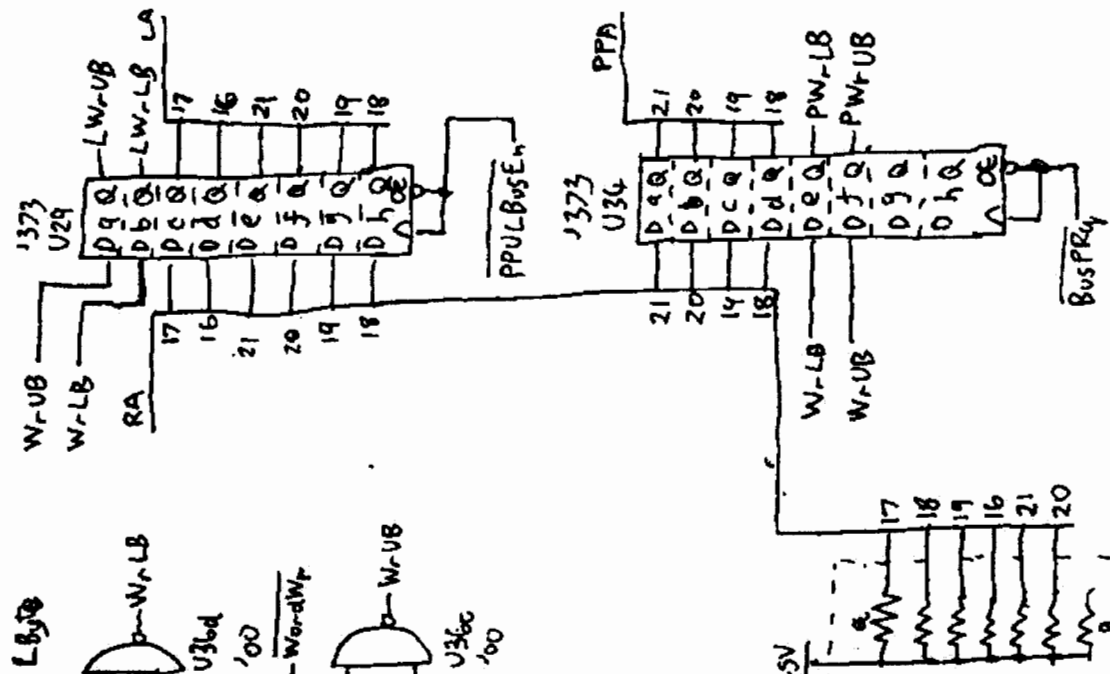


PPU Hybrid

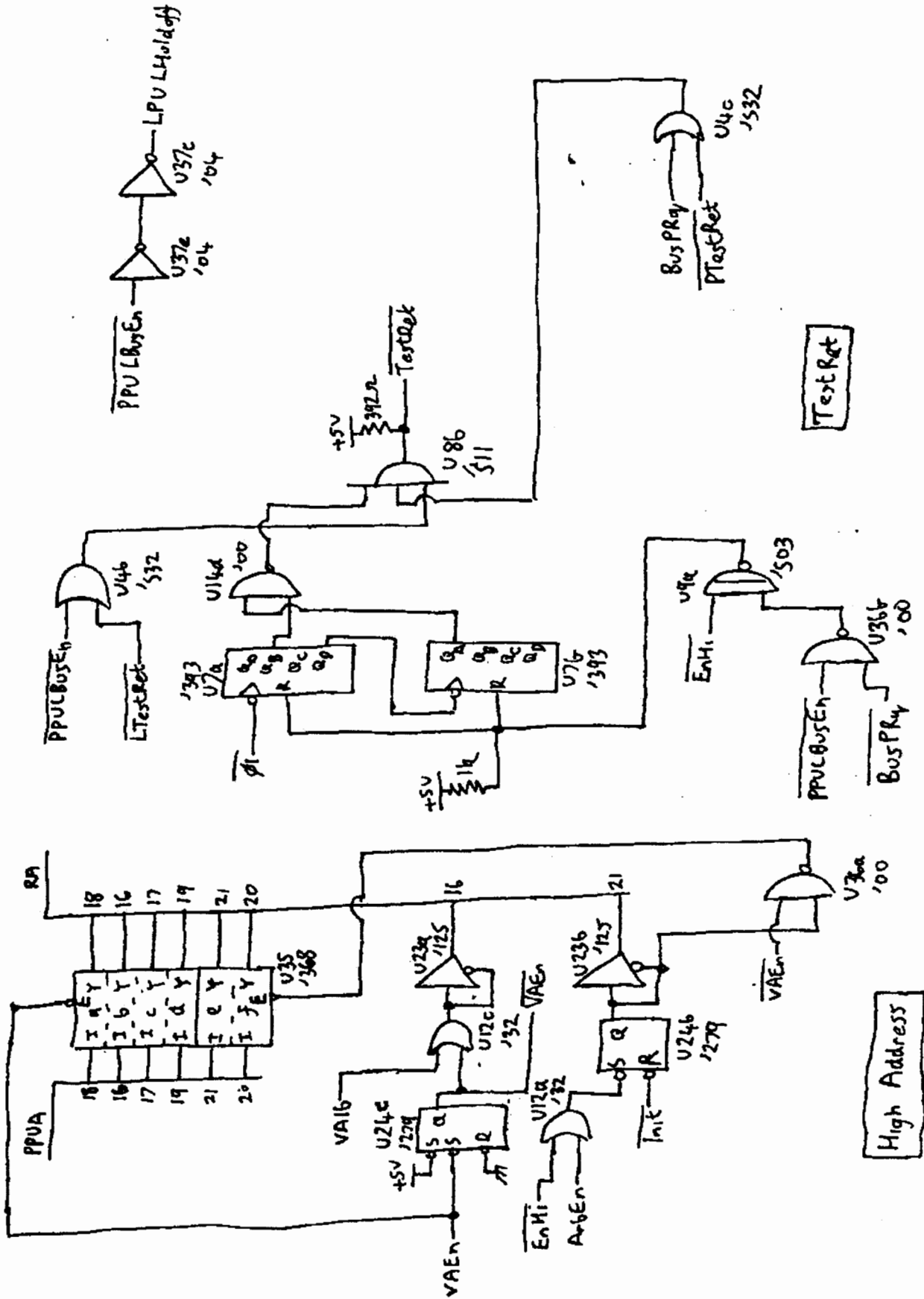


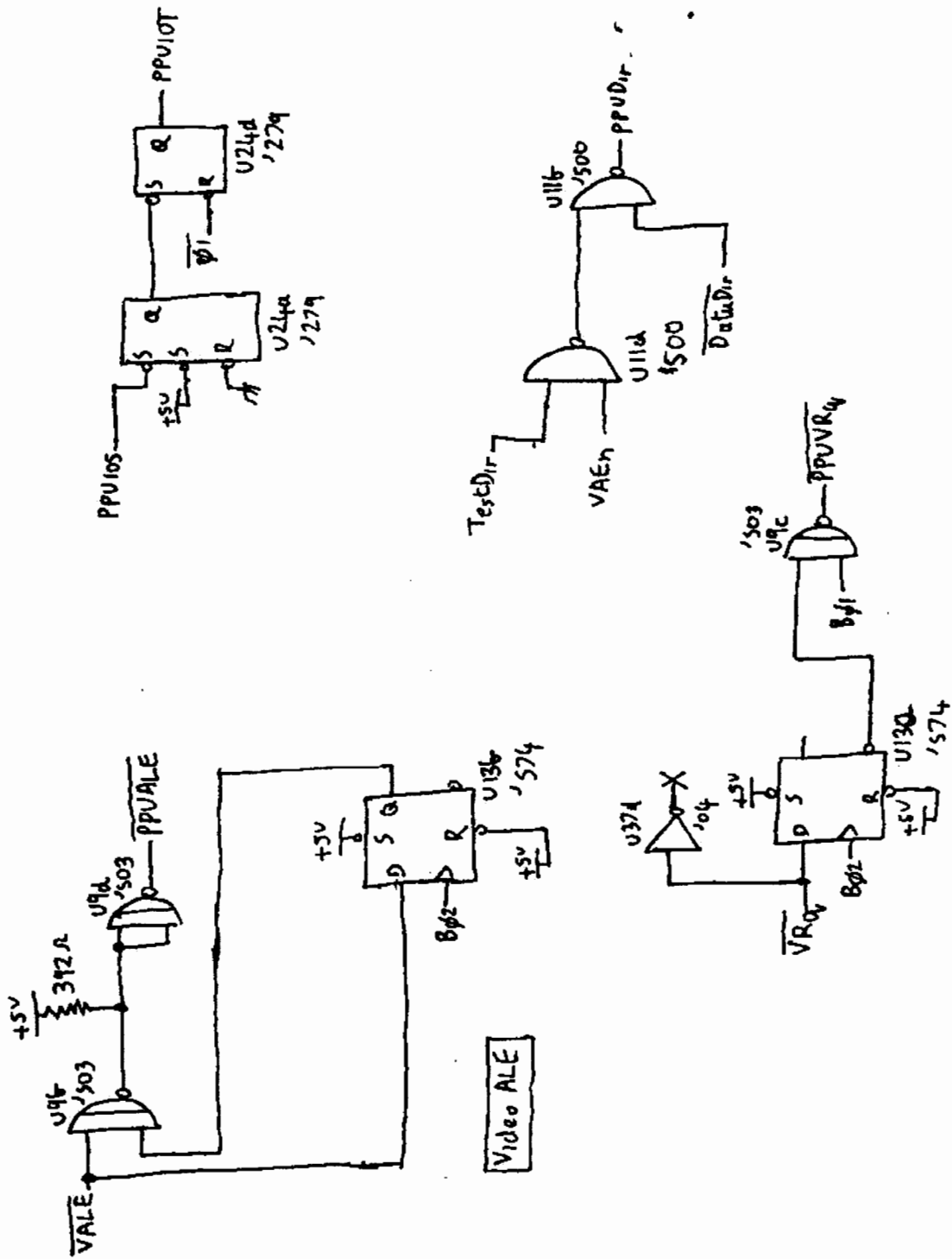


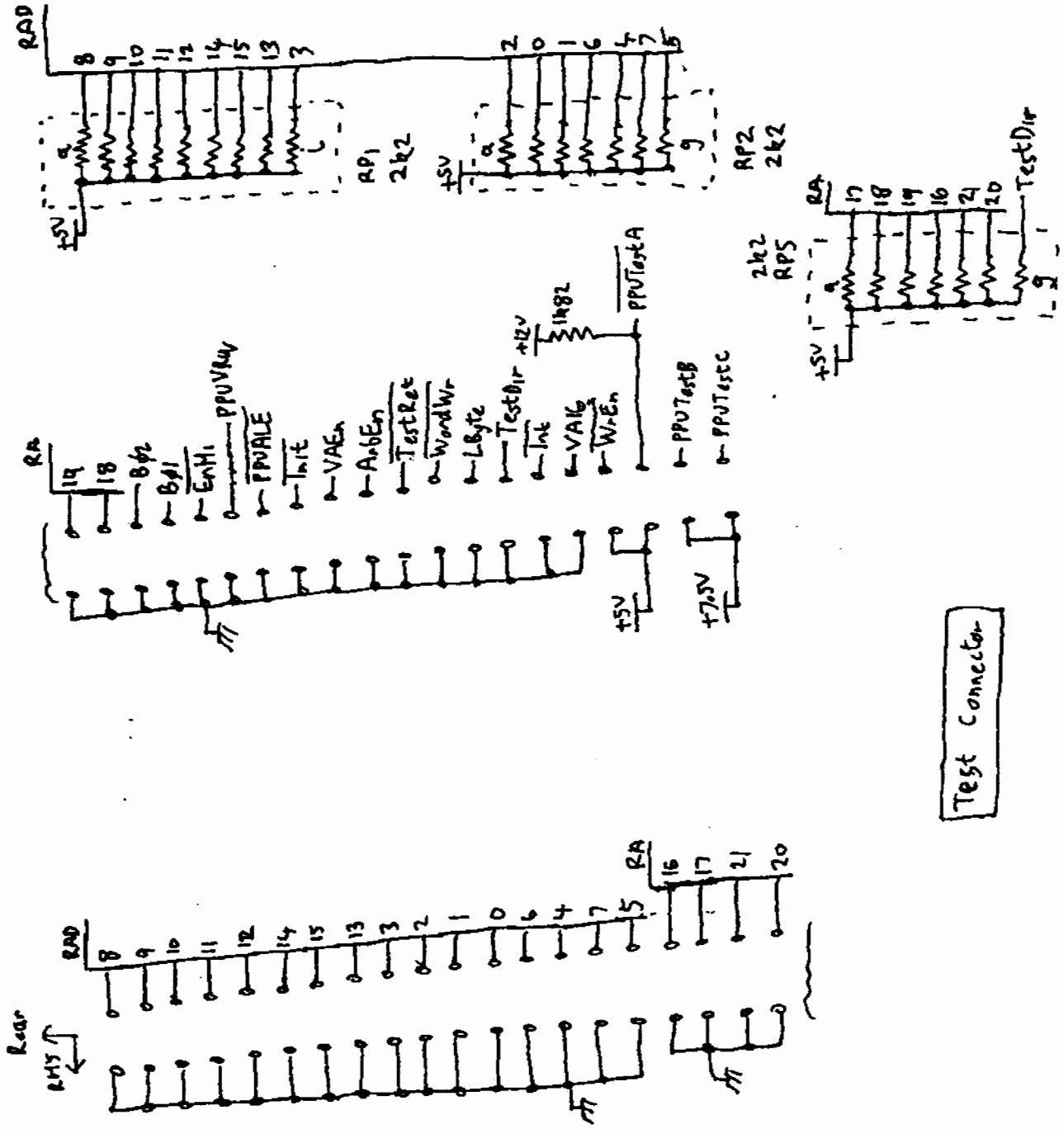


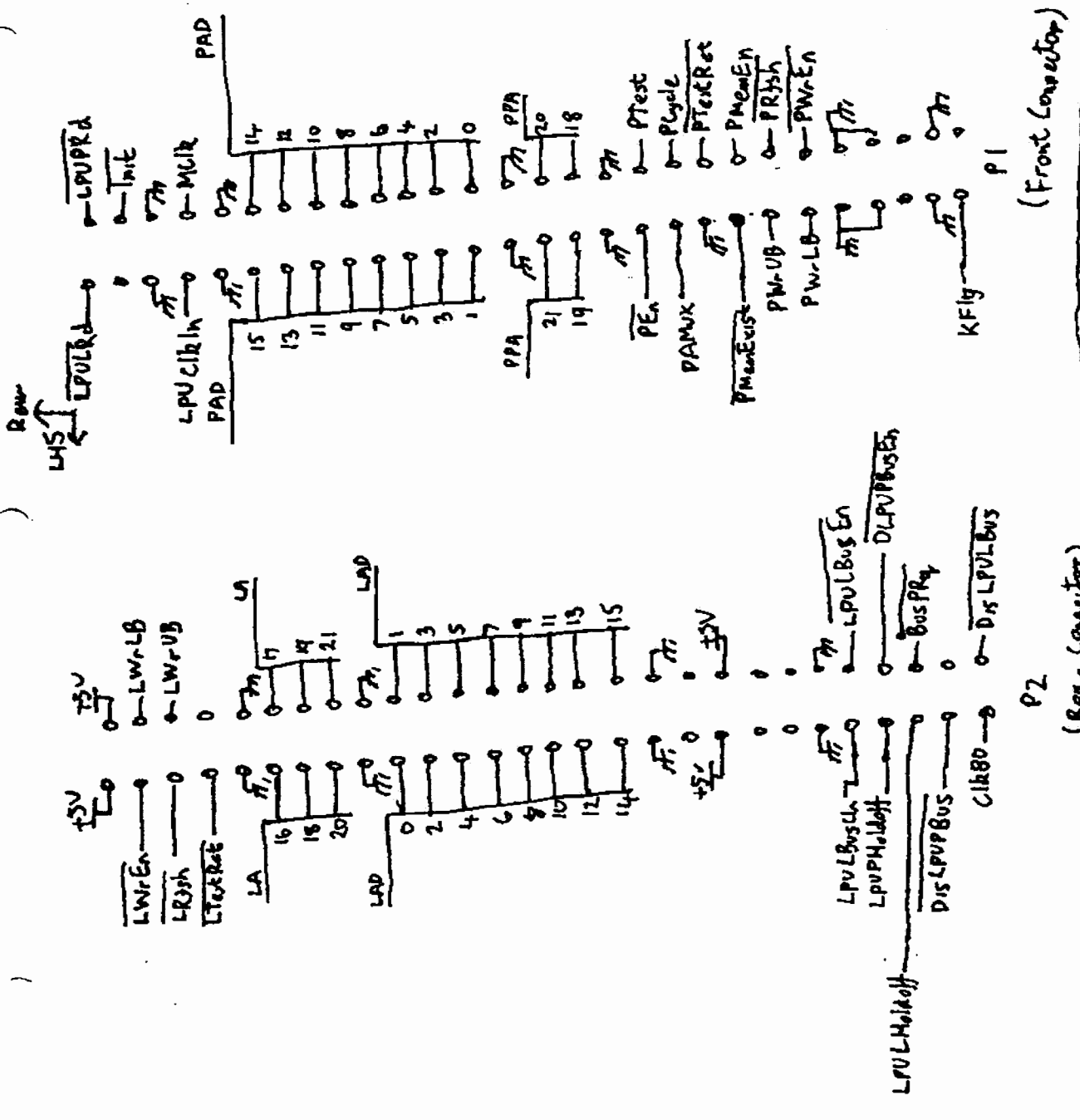


HP9845 Peripheral Processor PCB Sheet 7 09845-66516 (B-18u)



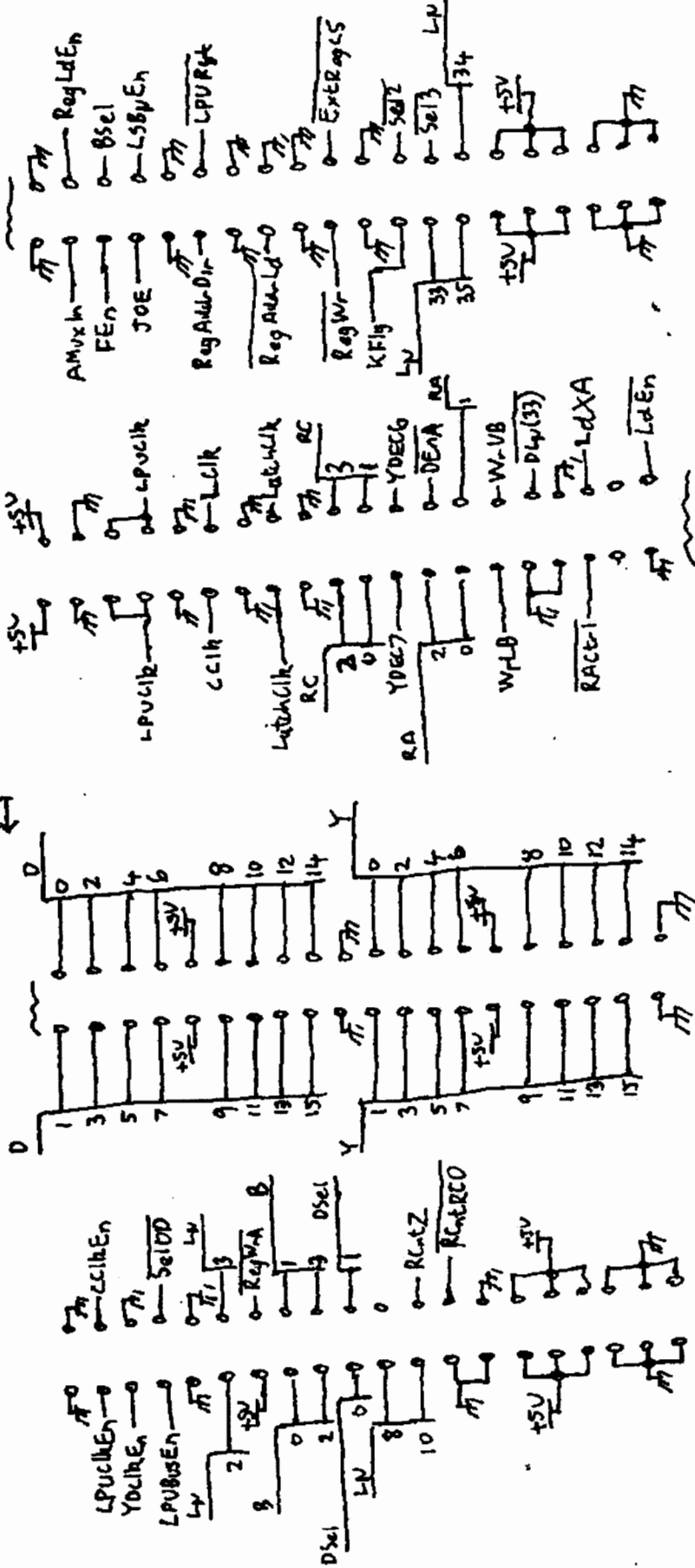






Main Backplane Connections

Rear



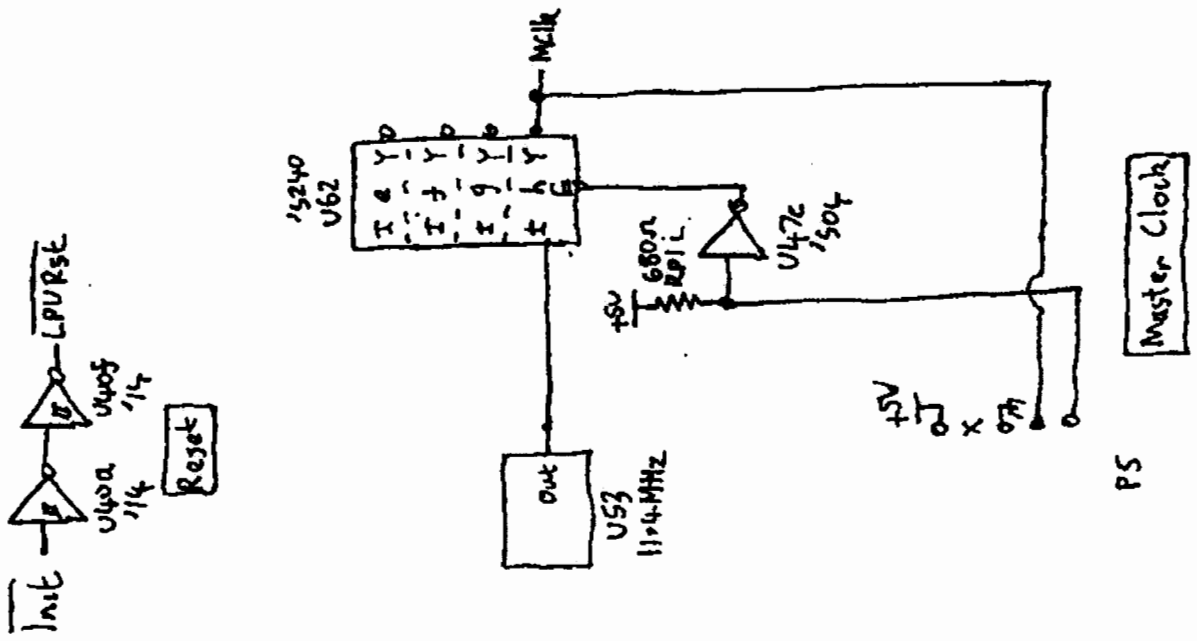
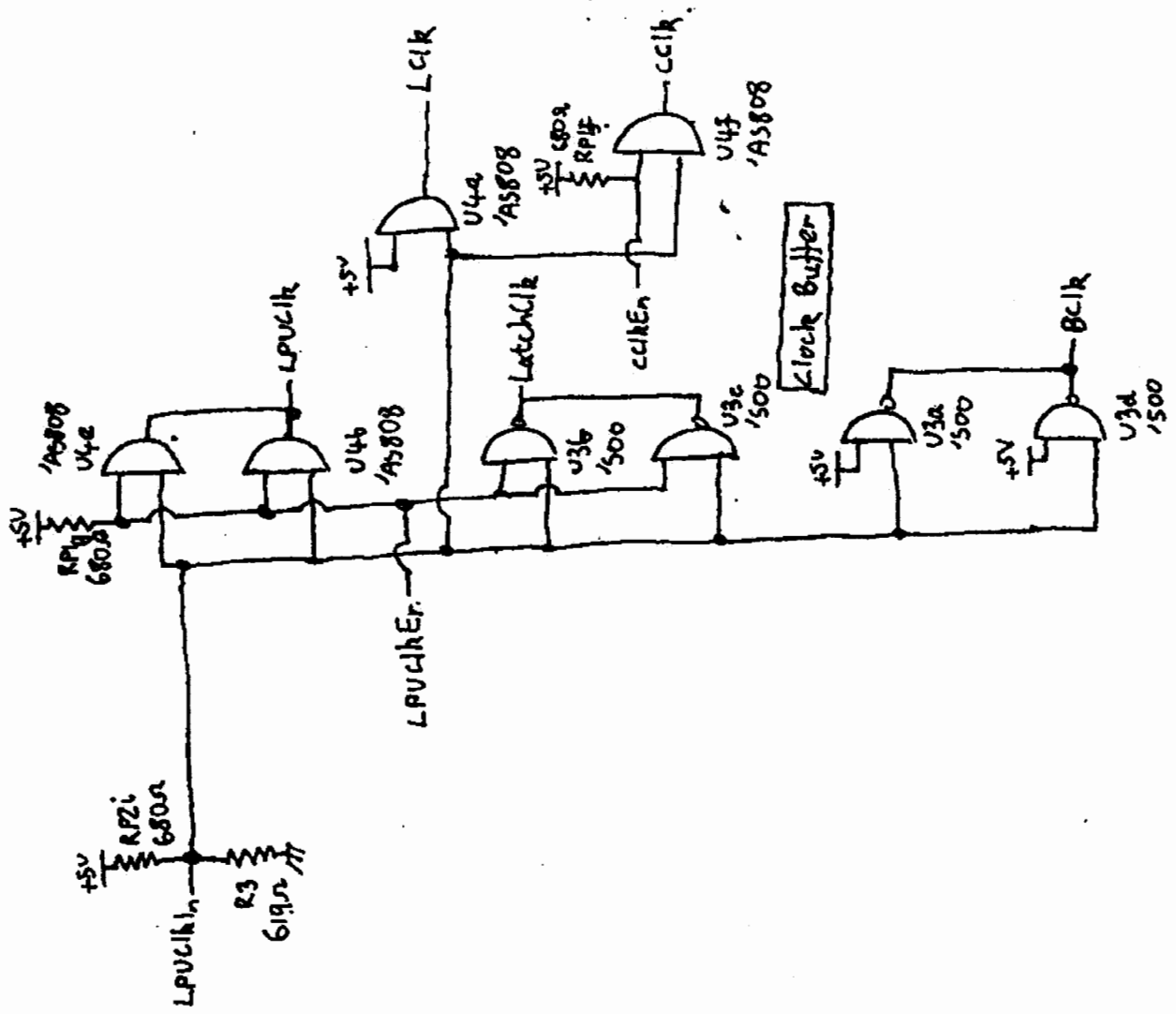
P3

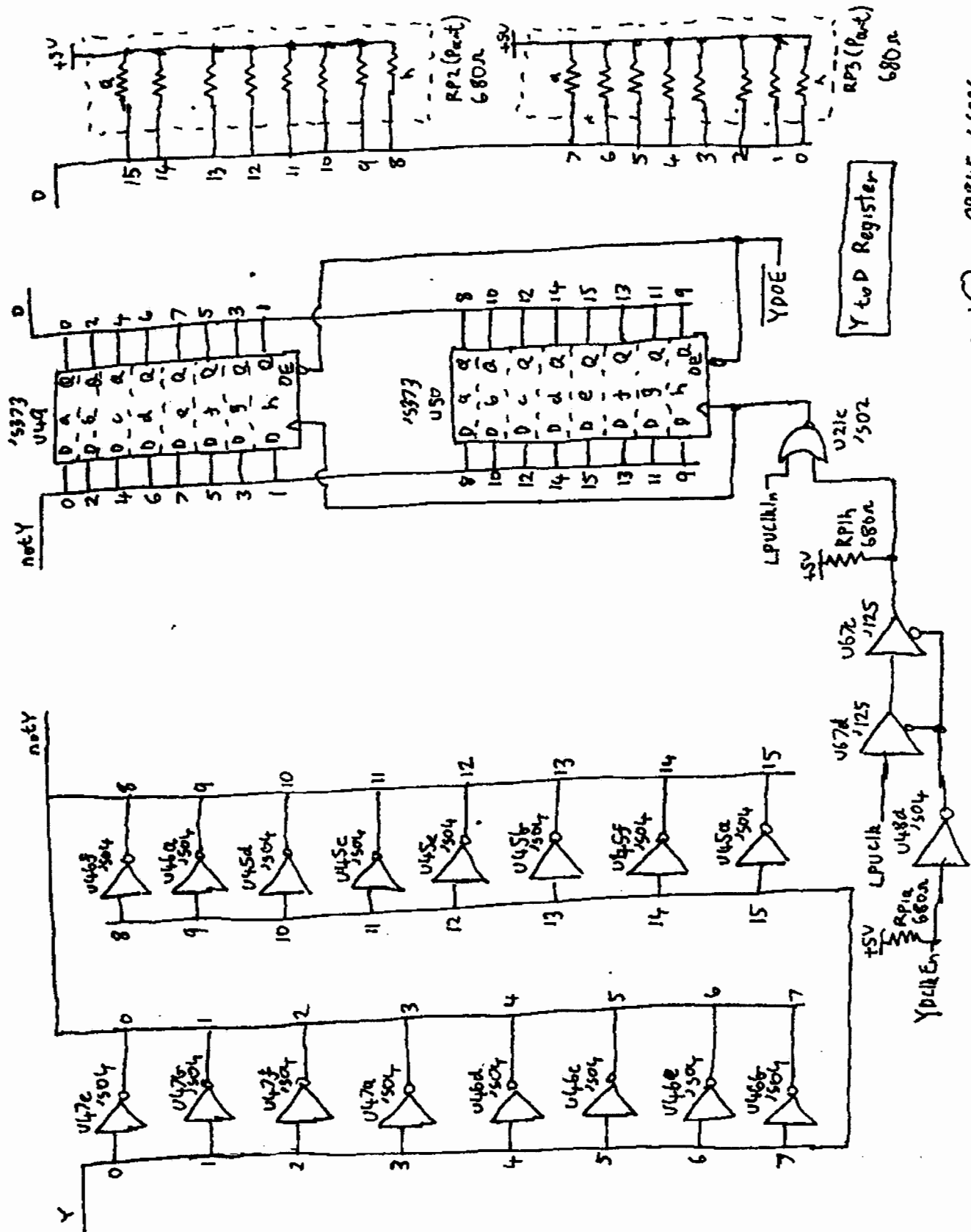
(Front Connector)

P4

(Rear Connector)

LPU Backplane Connectors

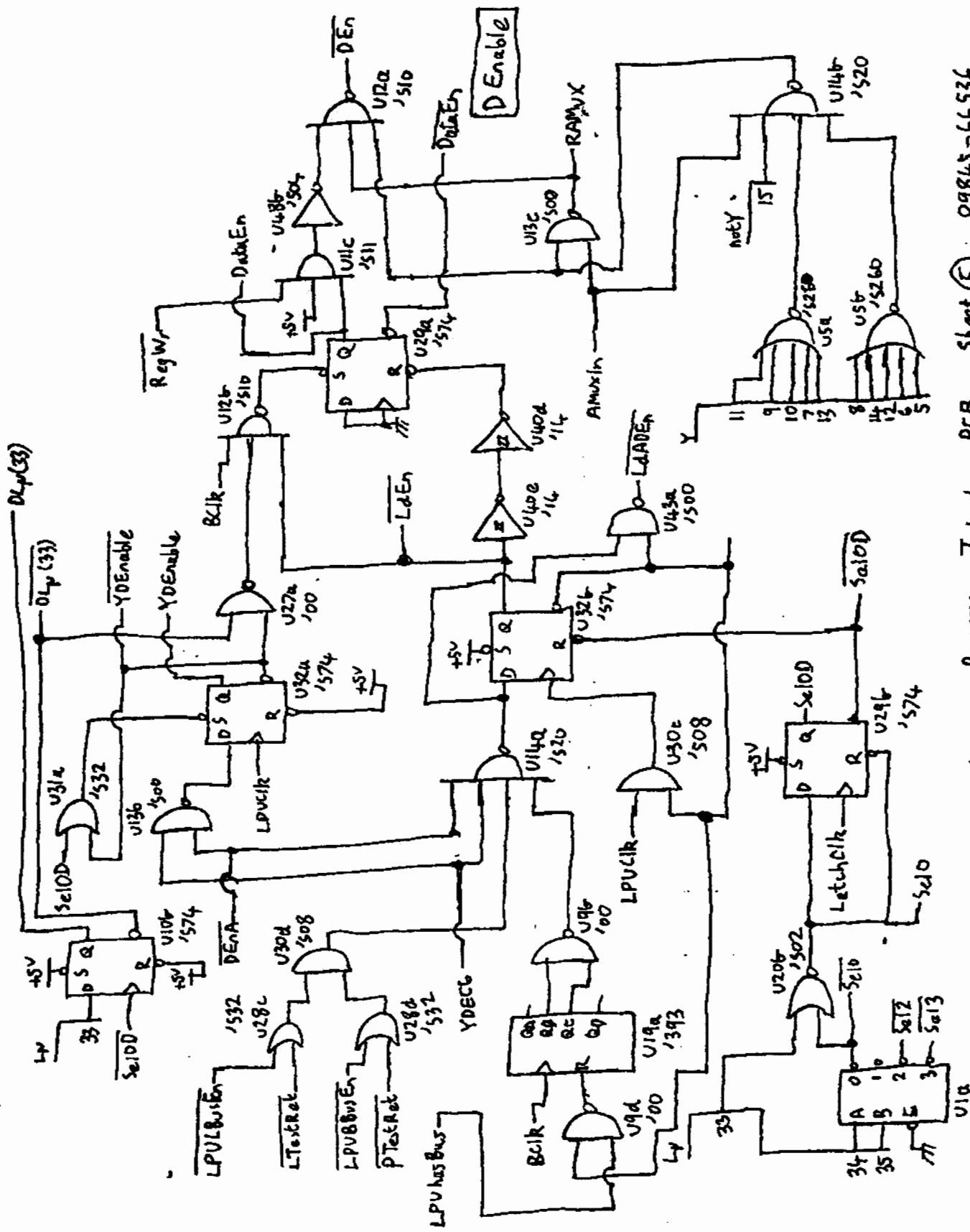




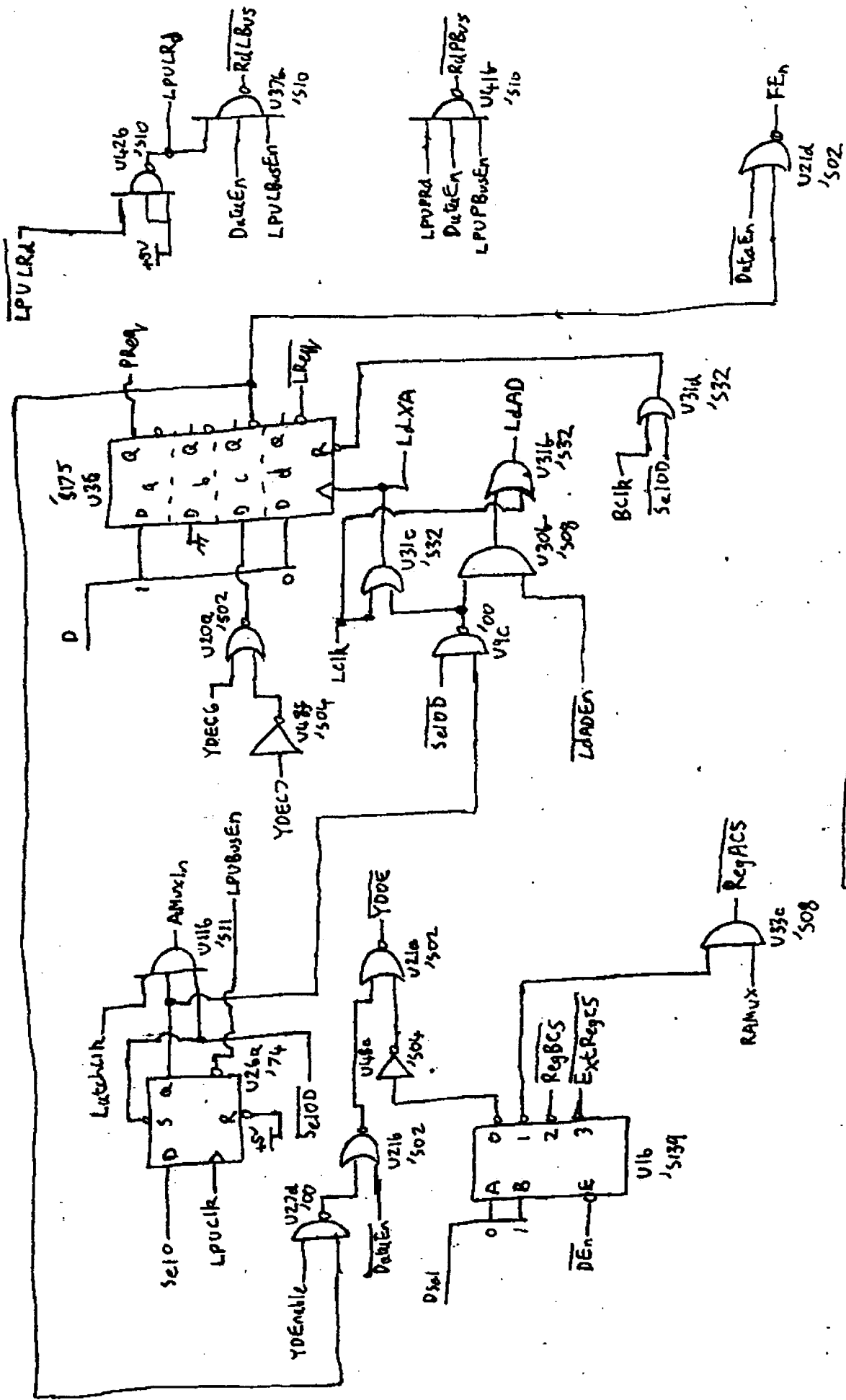
09845-66536

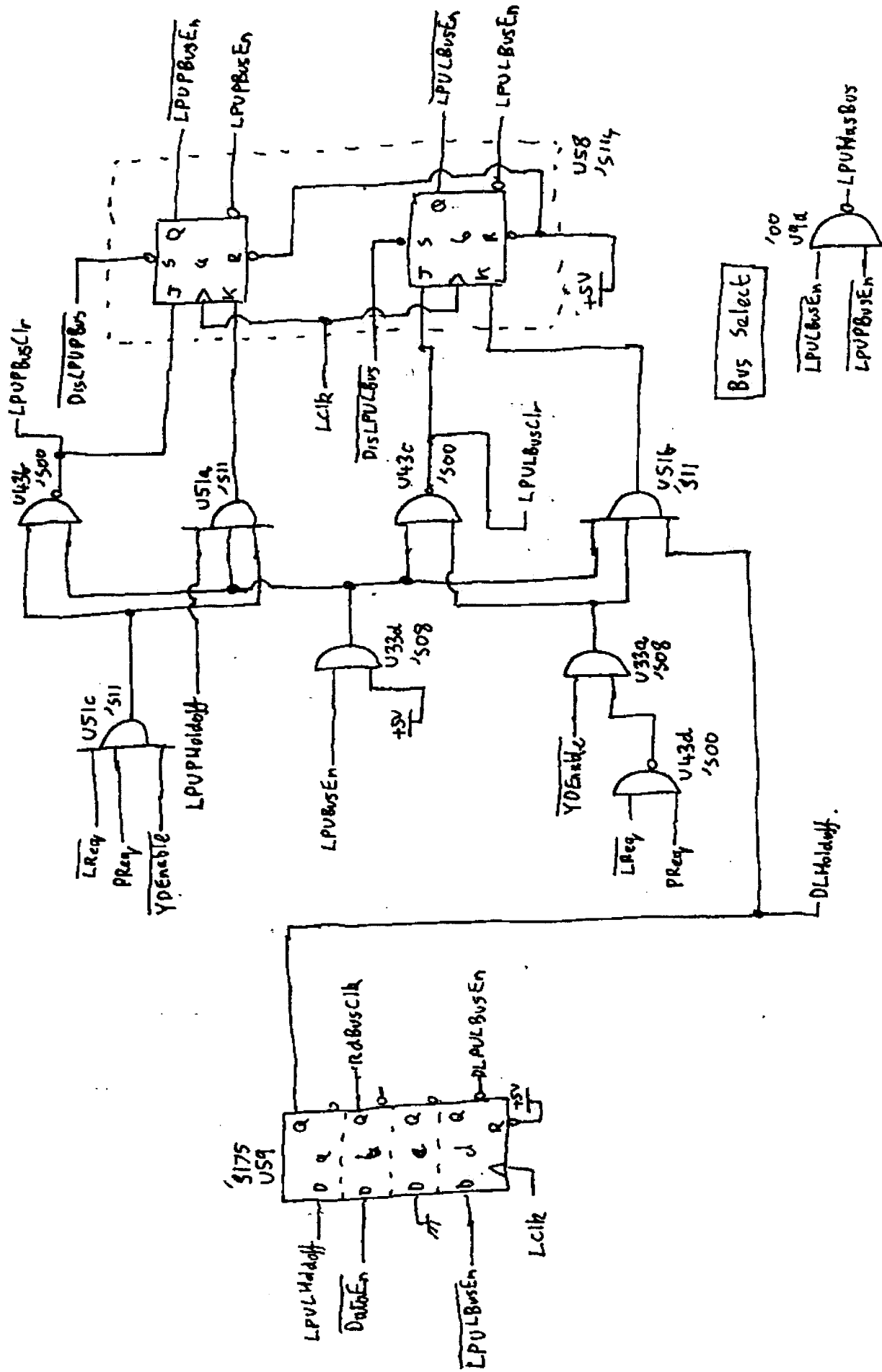
Sheet 4

HP4845 High Speed Language Processor Interface PCB

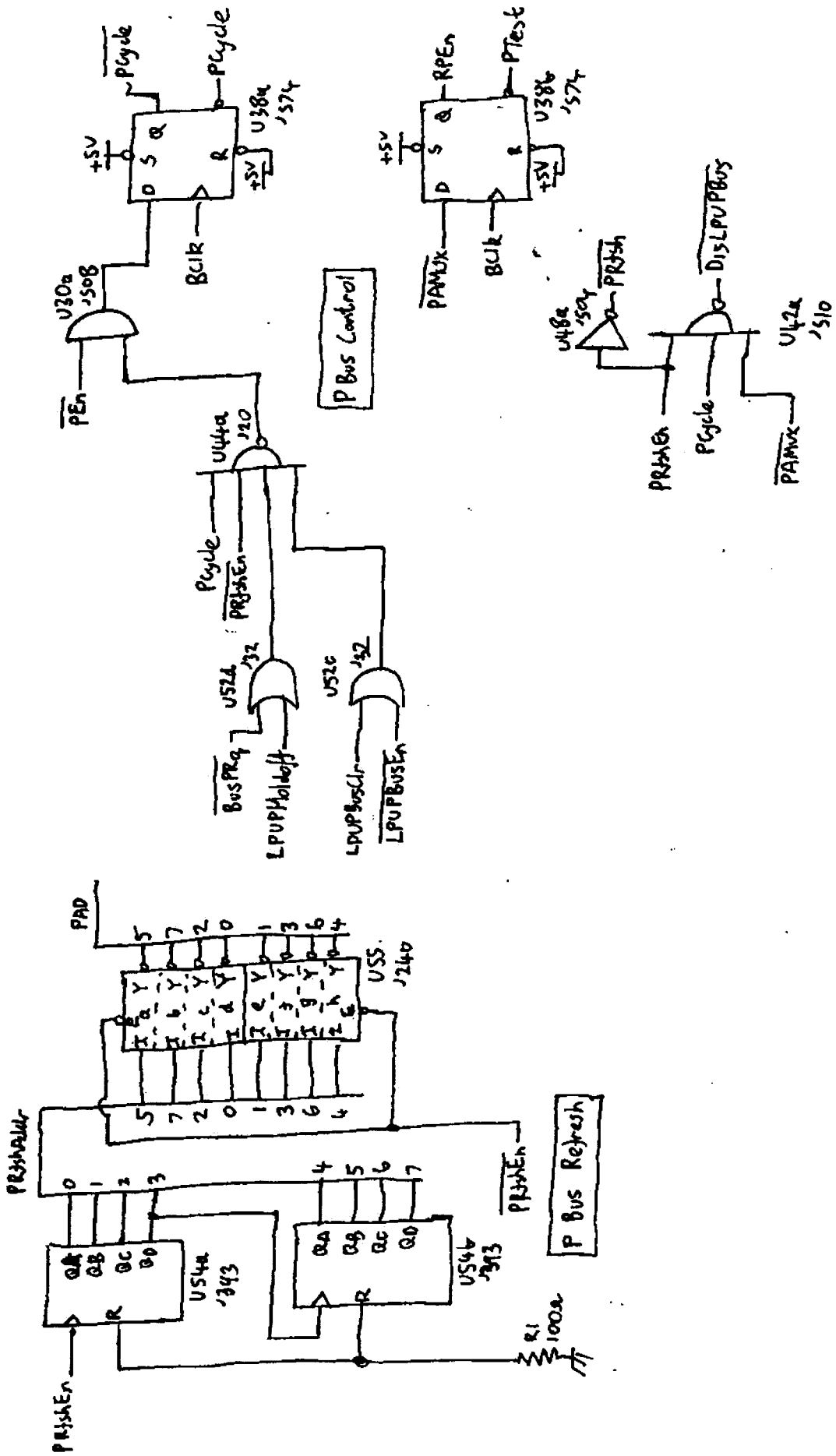


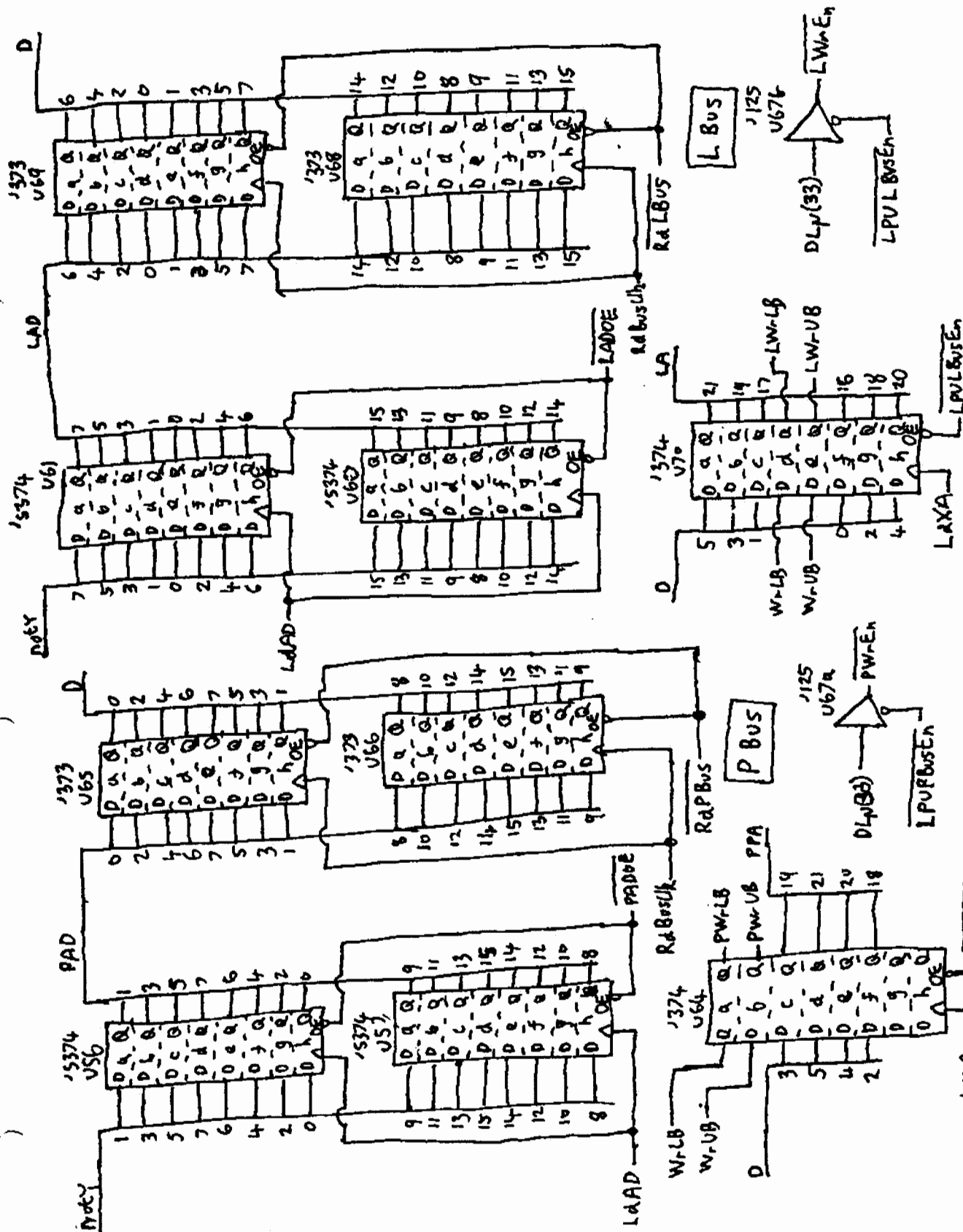
HP9845 High Speed Language Processor Interface PCB Sheet 5 09845-66536





HP9845 High Speed Language Processor Interface PCB Sheet 7 09845-66536

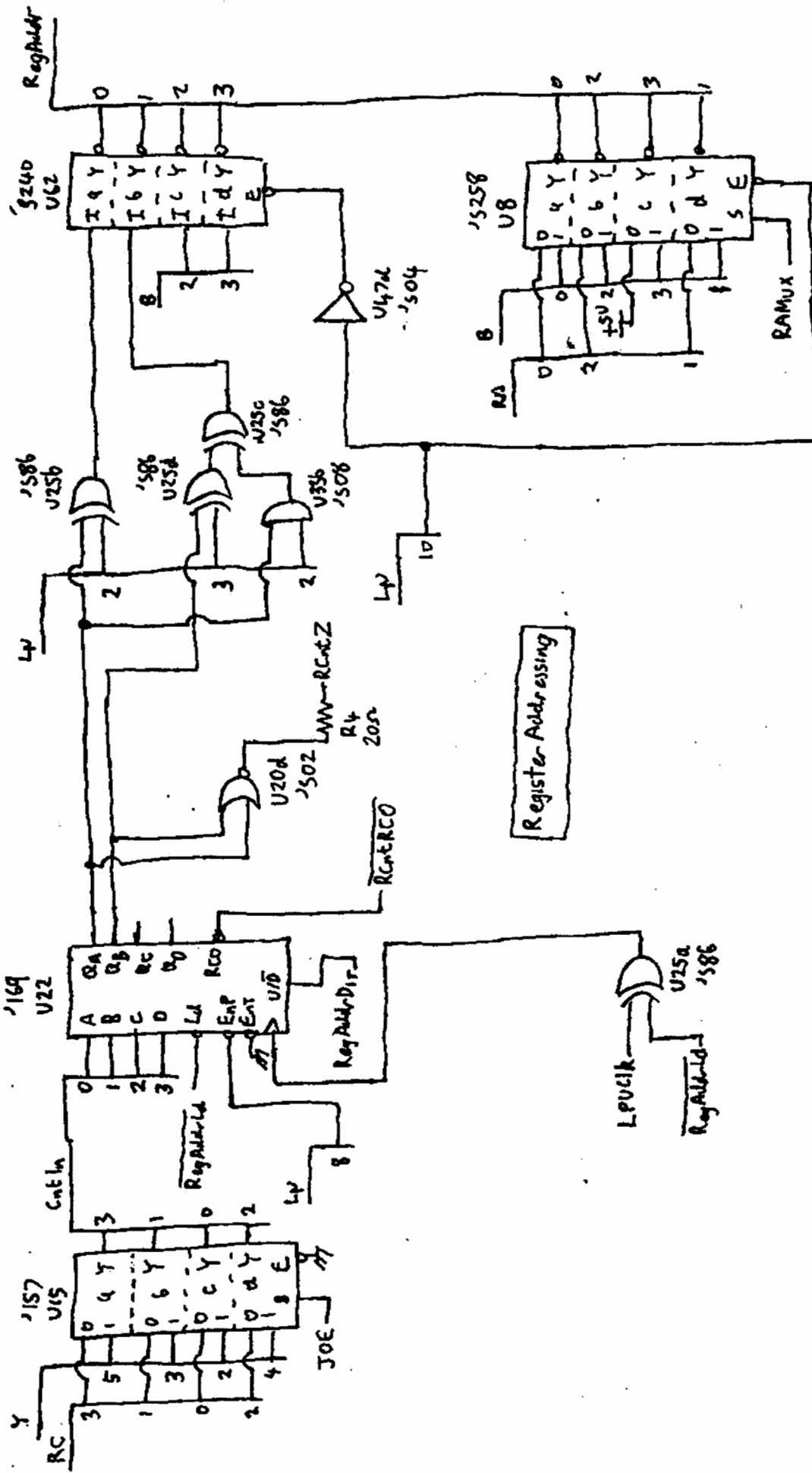


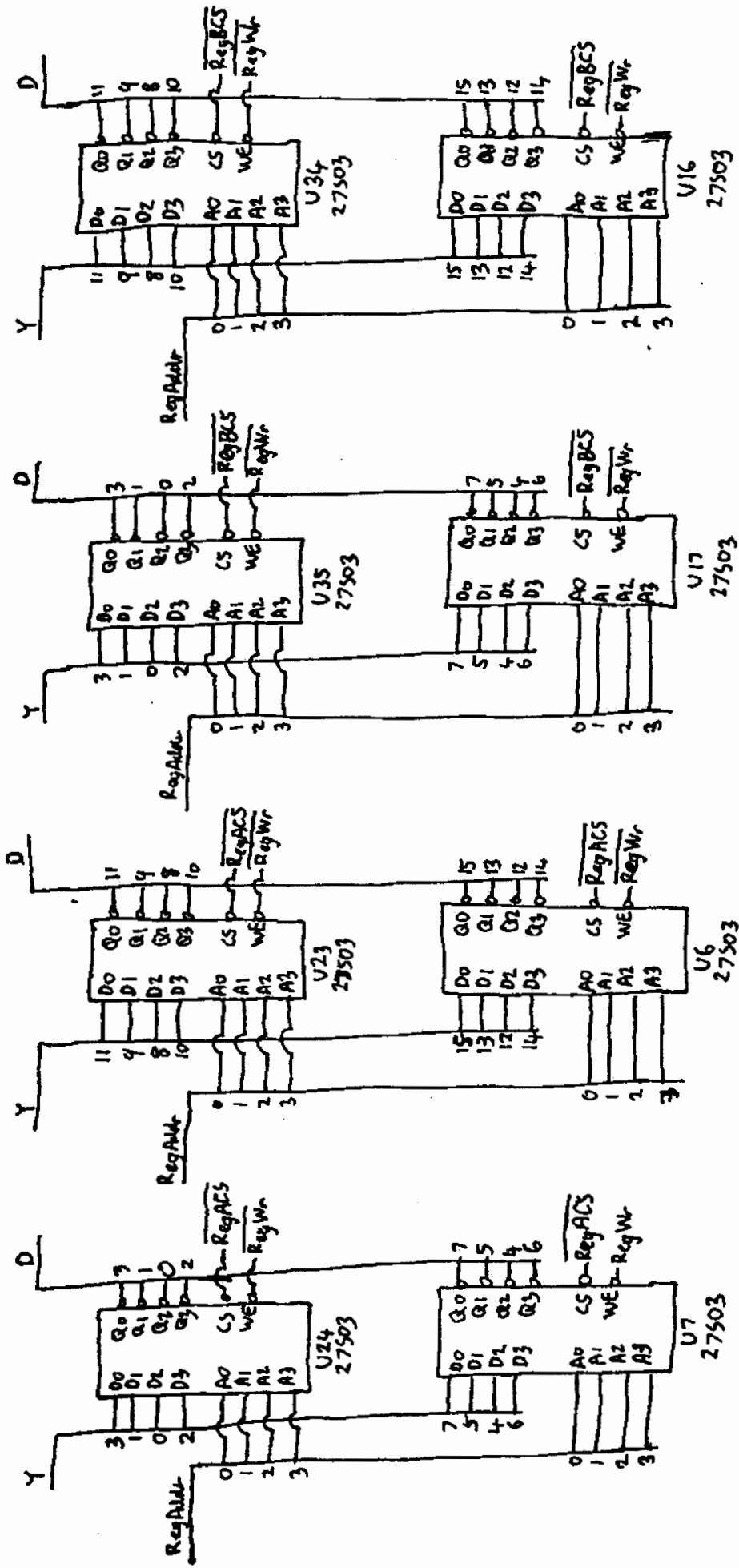


09845-66536

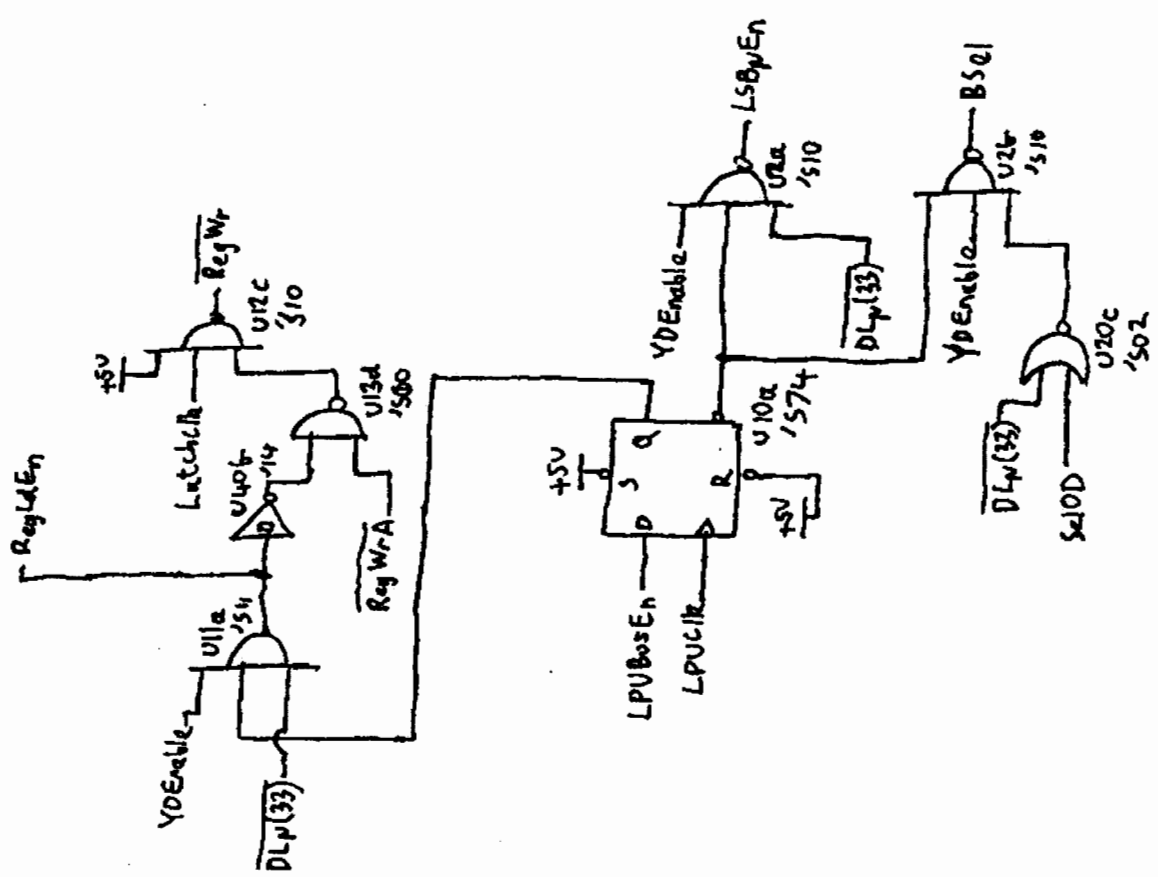
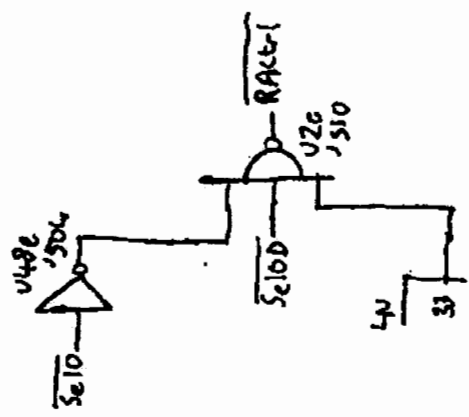
HP9845 High Speed Language Processor Interface PCB sheet 10

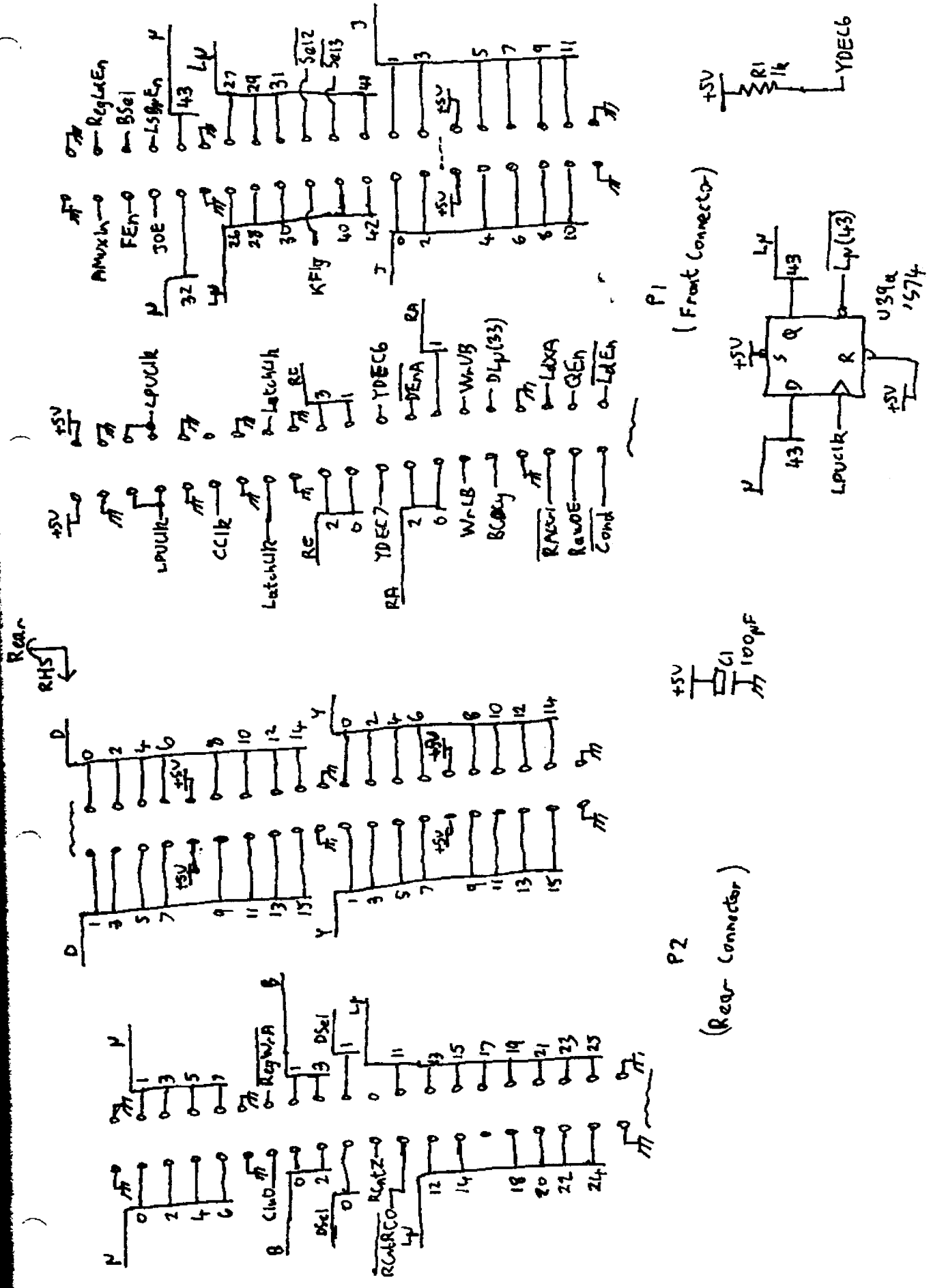
HP9845 High Speed Language Processor Interface PCB sheet 10





Processor Registers

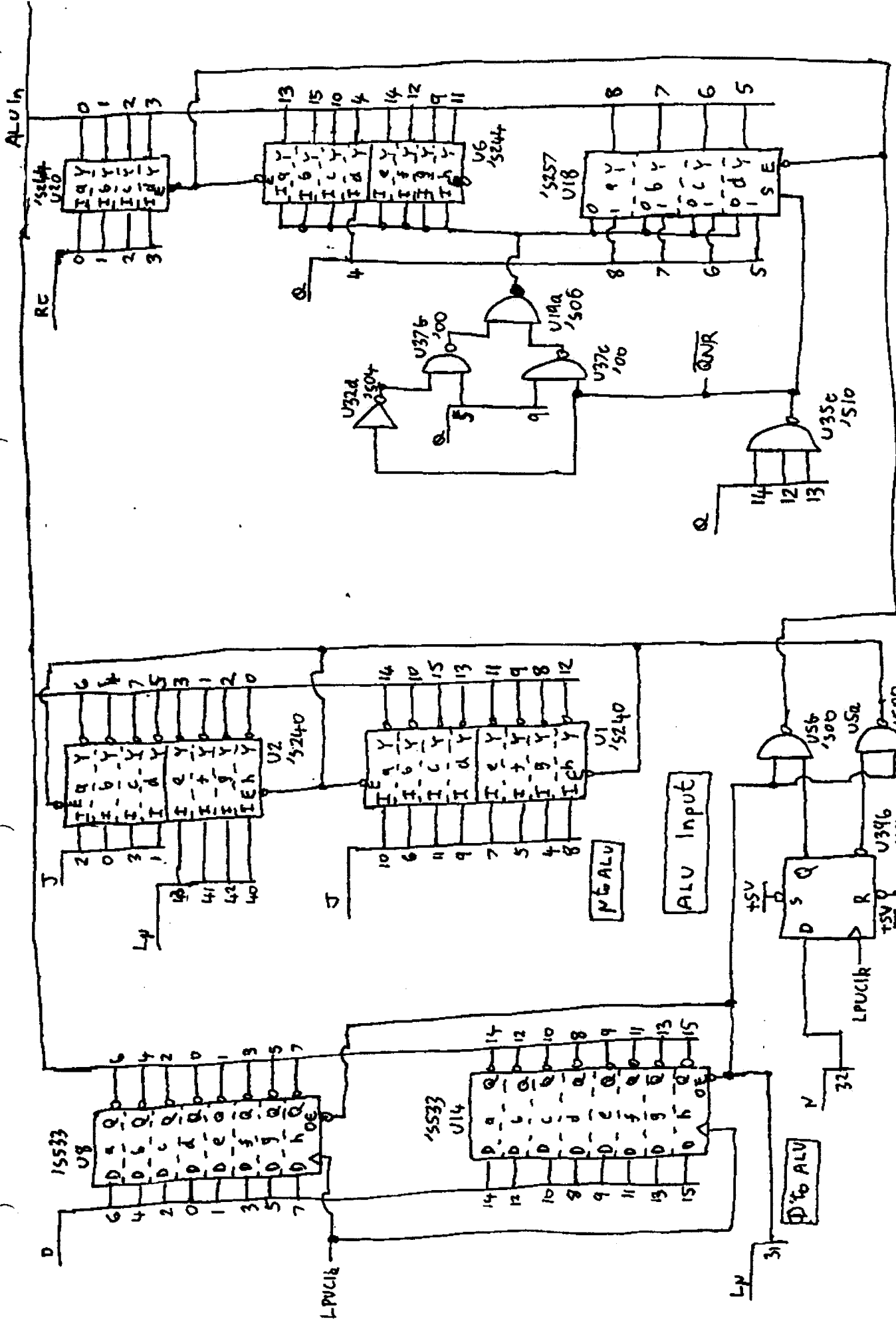


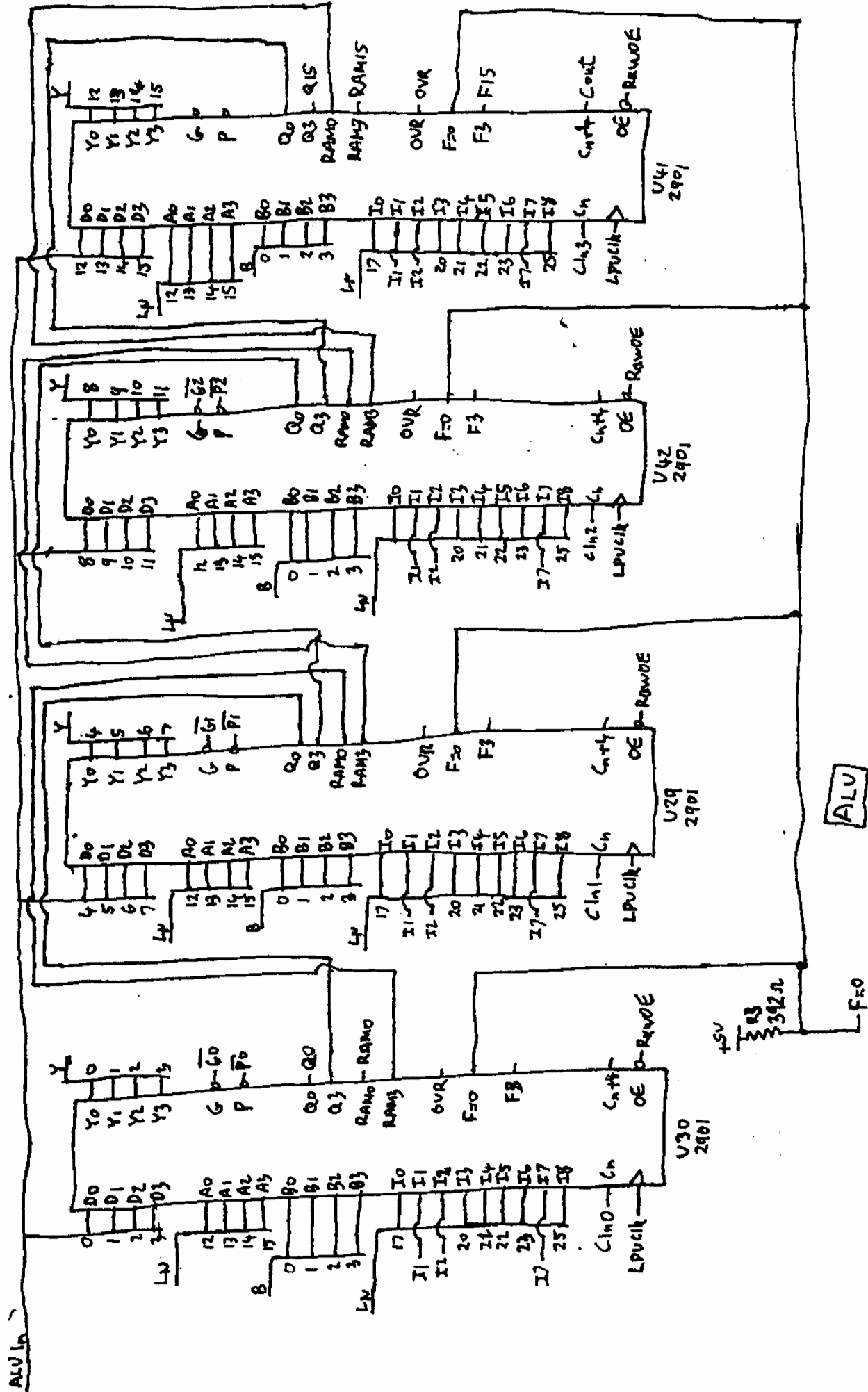


Rear
RHS

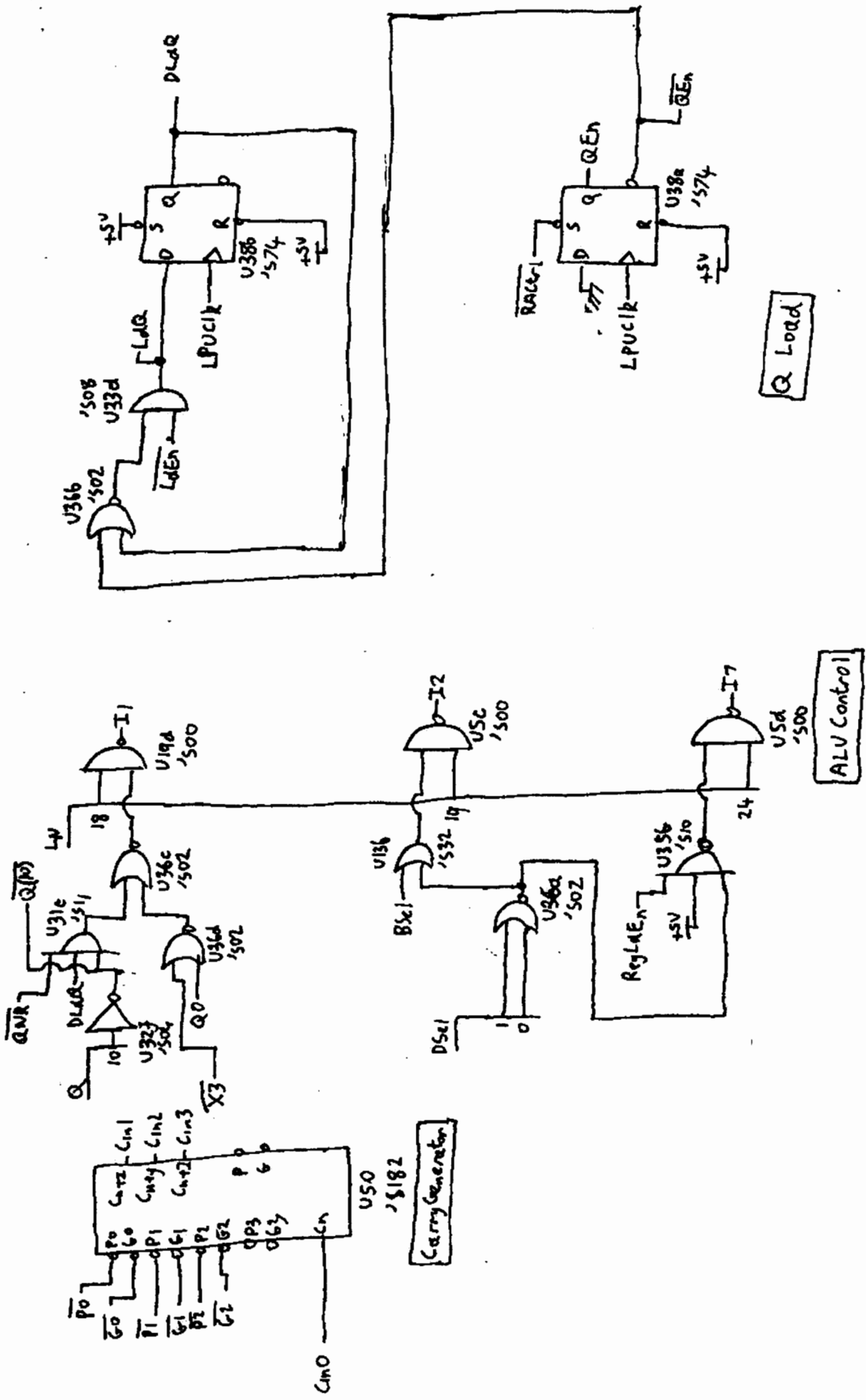
P2
(Rear Connector)

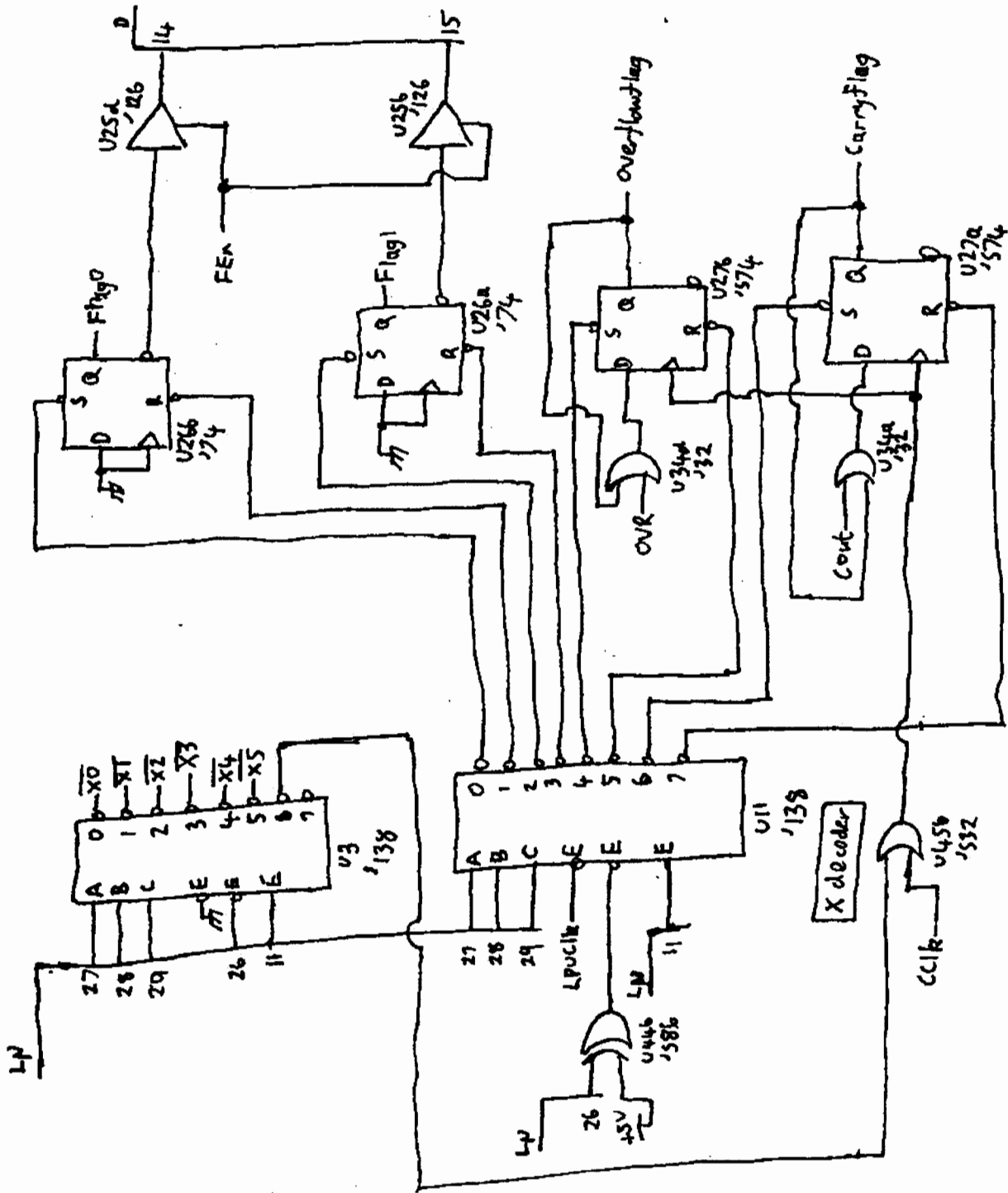
P1
(Front Connector)





HP9845 High Speed Language Processor Data Path PCB Sheet 3 09845-66537

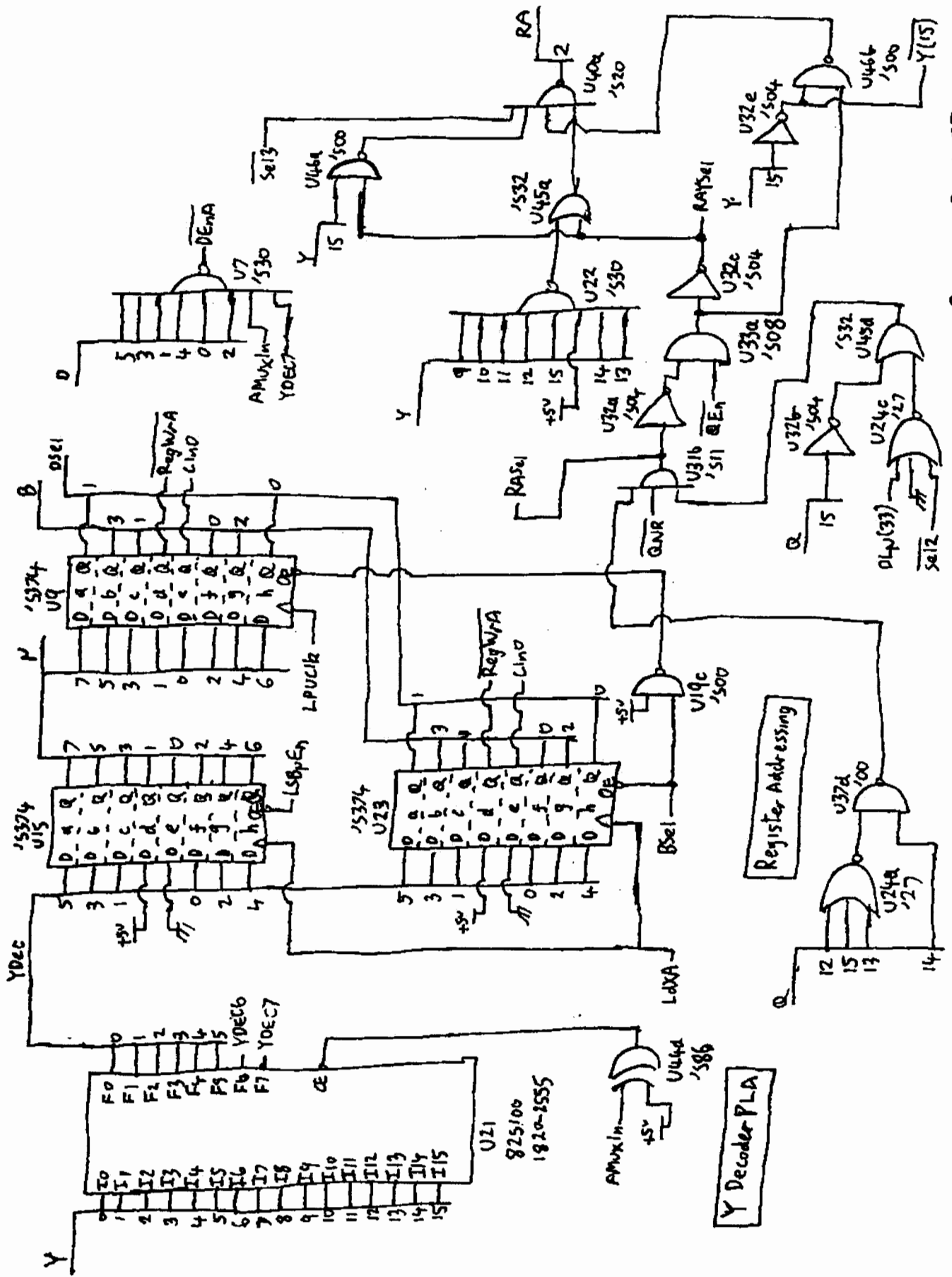




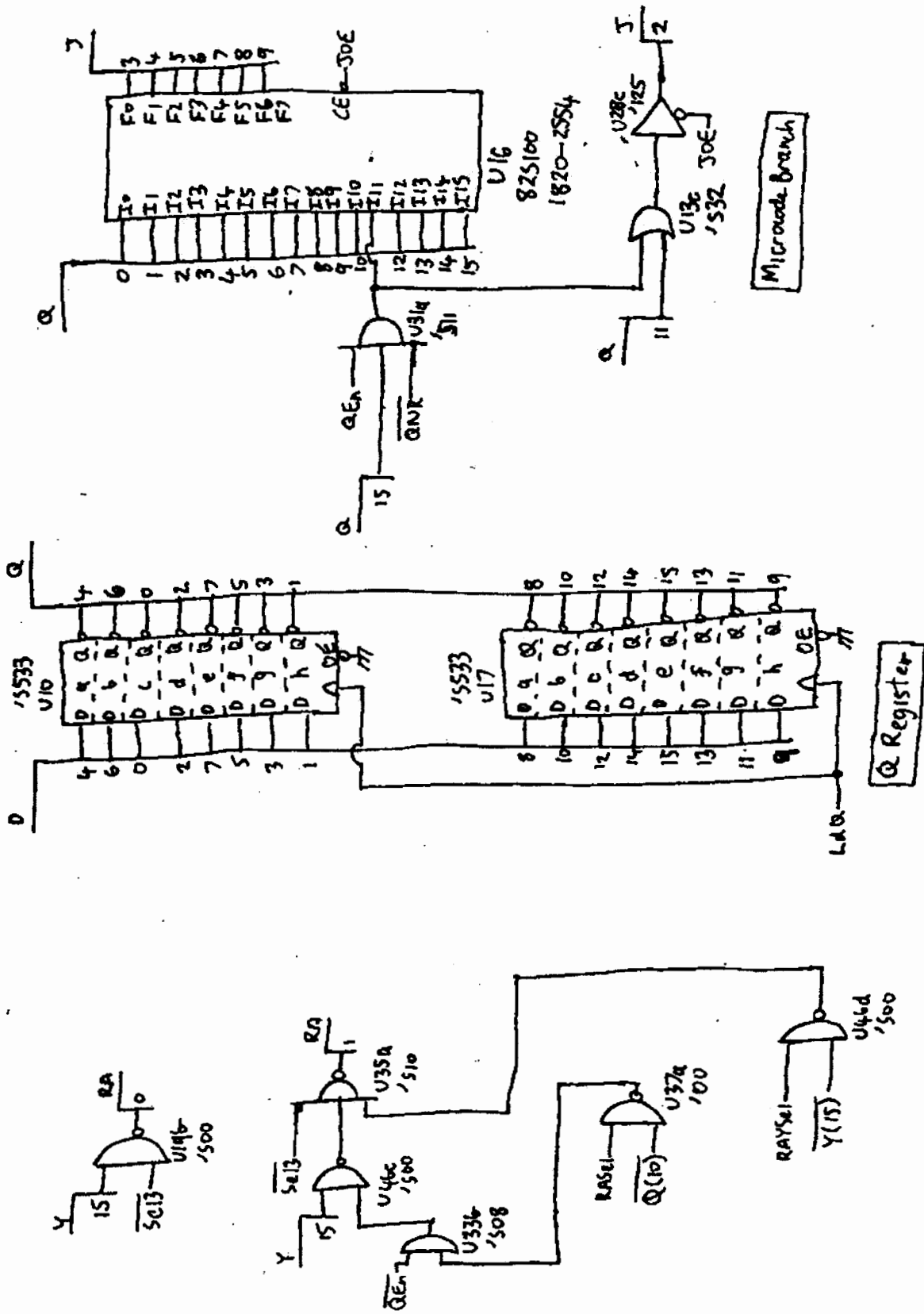
Microcode Flags

HP9845 High Speed Language Processor Data Path PCB Sheet 5

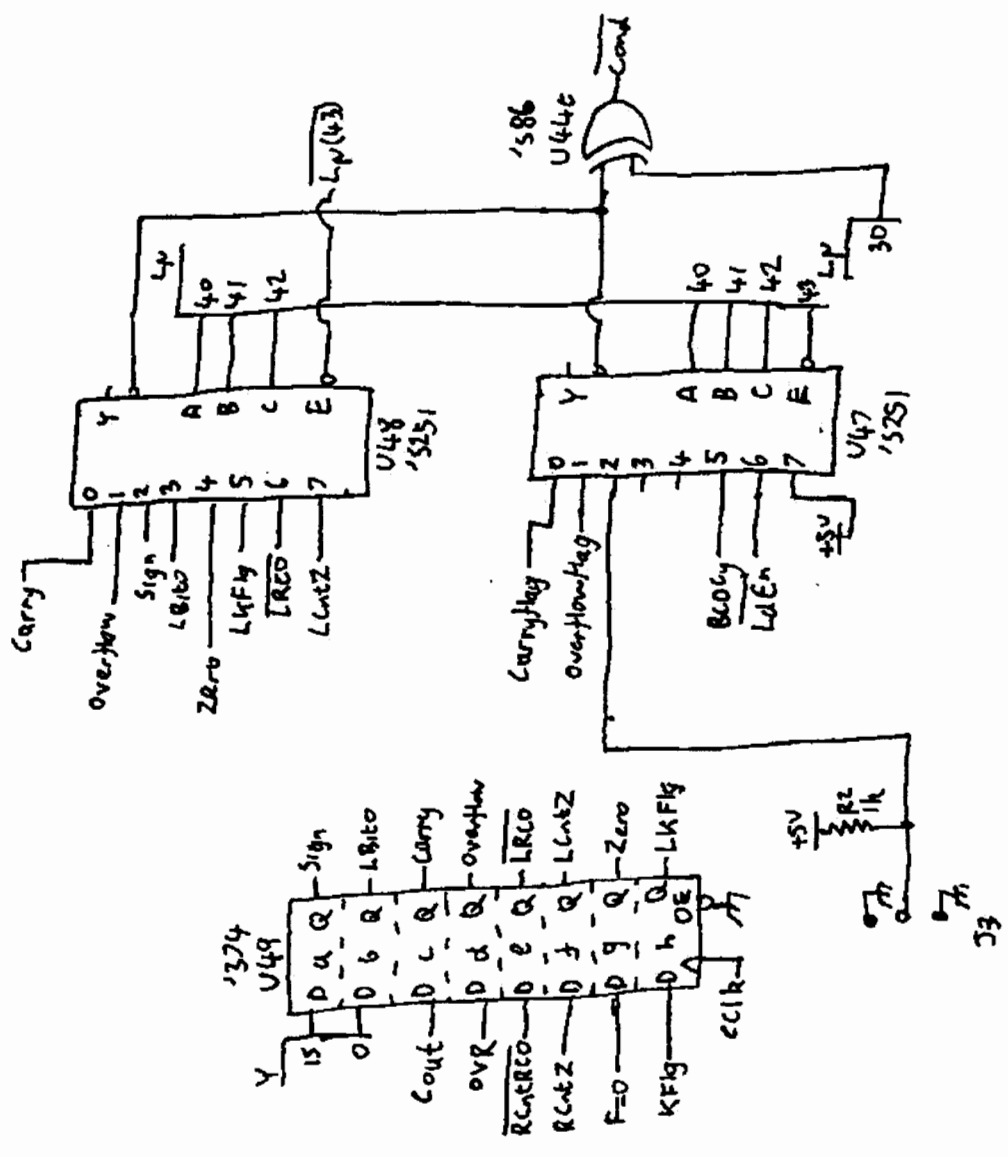
09845-66537



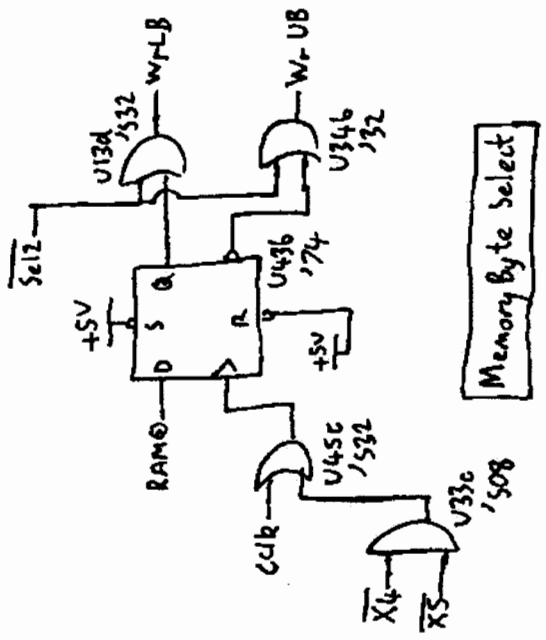
HP9845 High Speed Language Processor Data Path PCB Sheet 6 09845-66537



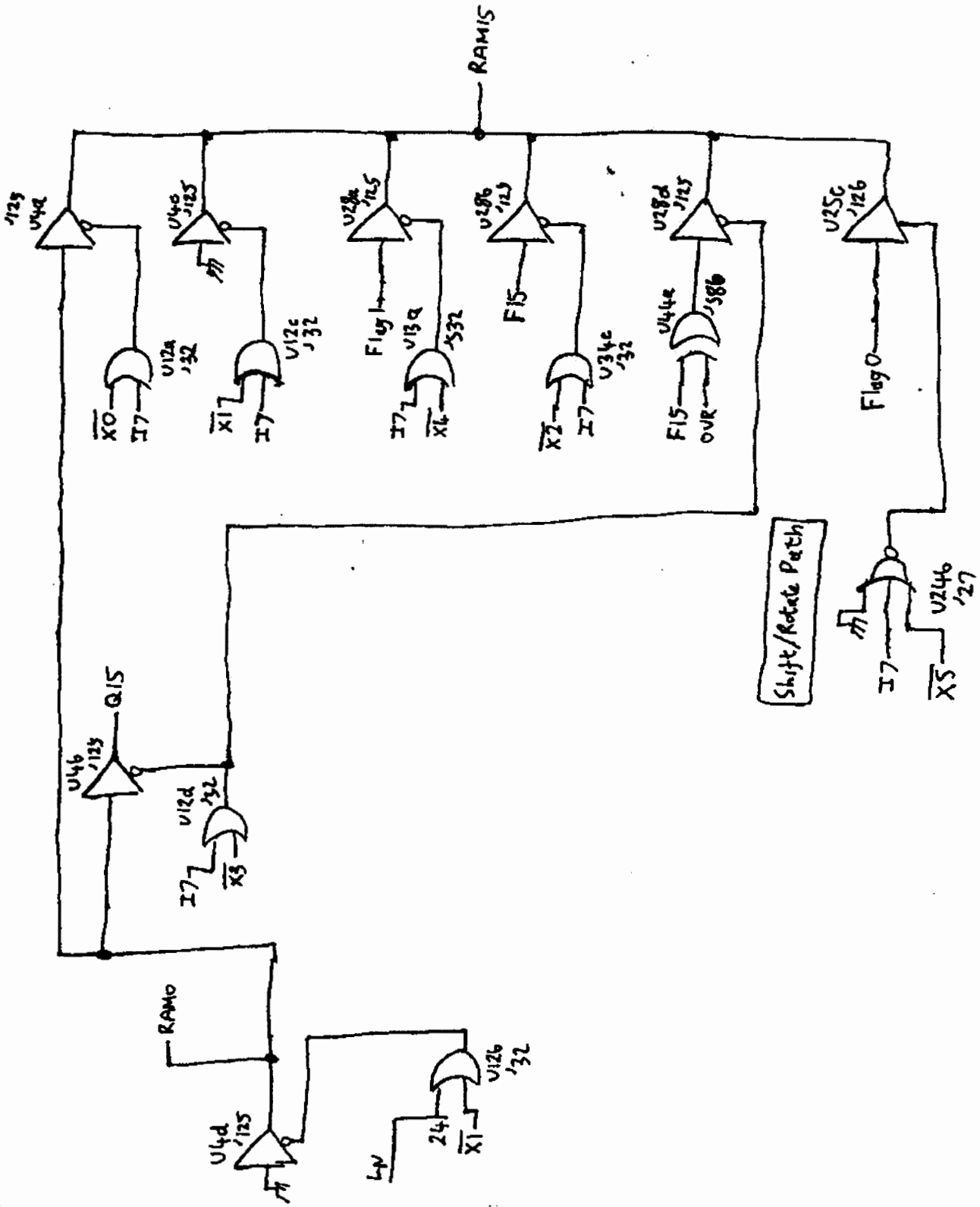
HP9845 High Speed Language Processor Data Path PCB Sheet ① 09845-66537

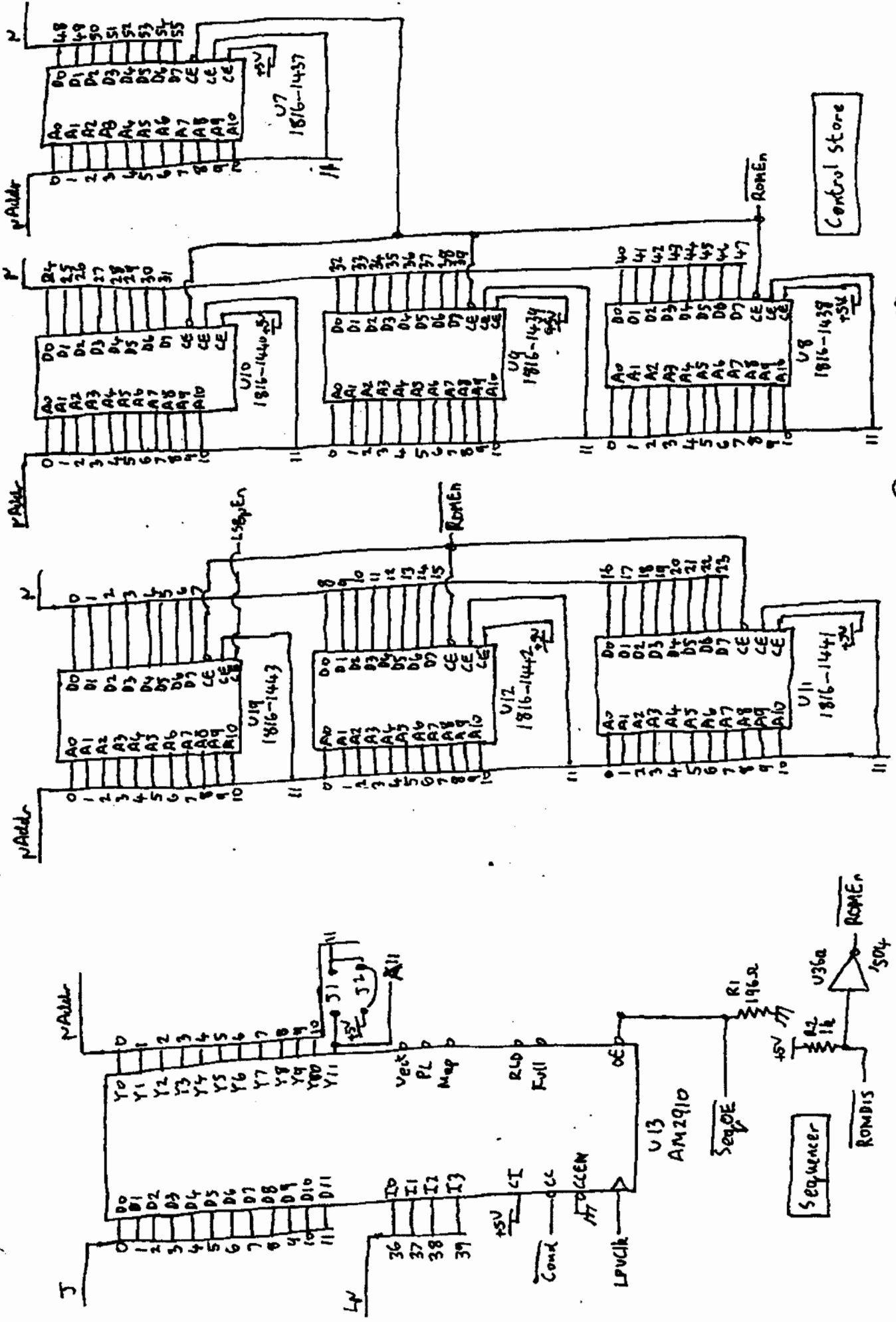


Branch Condition

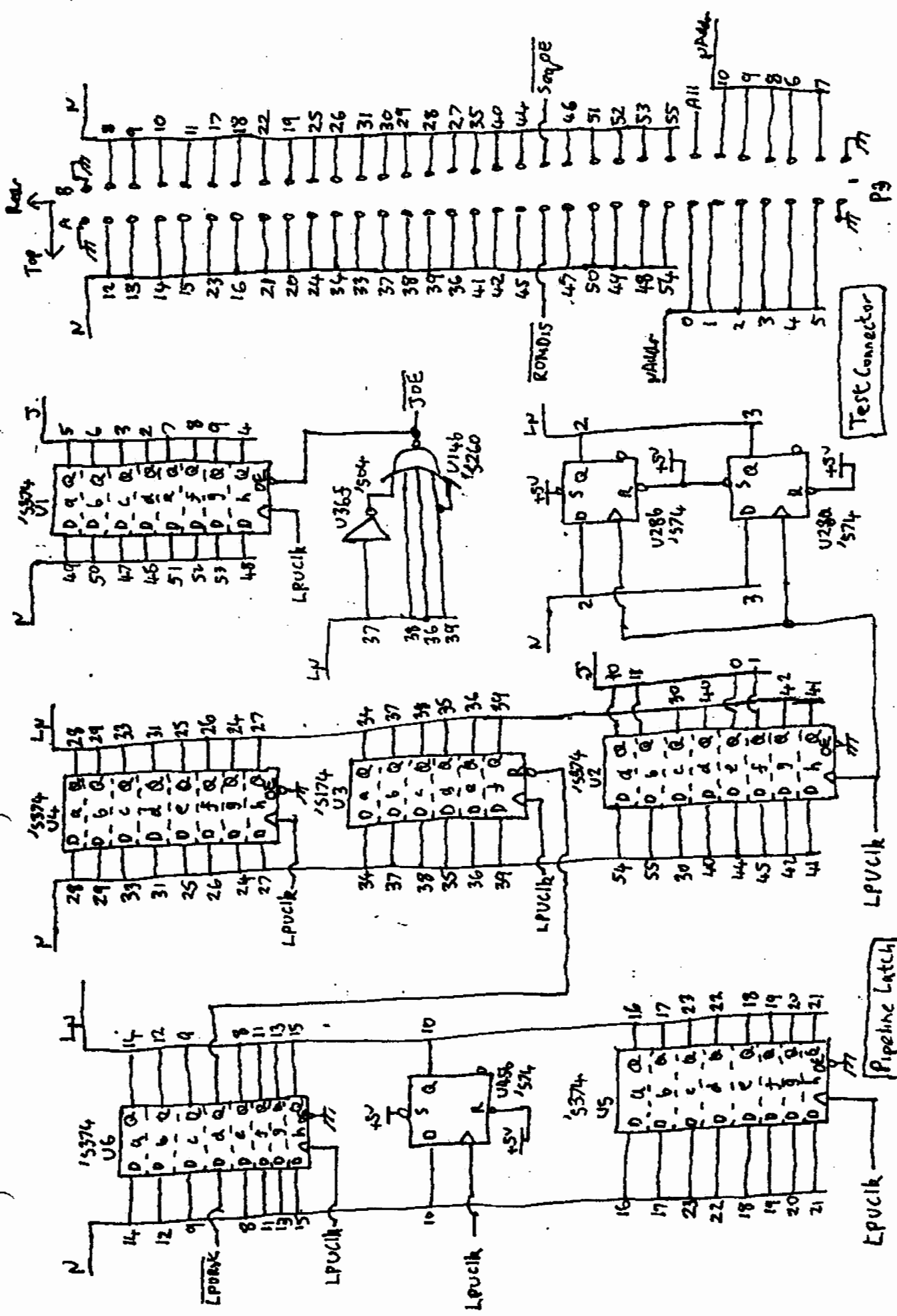


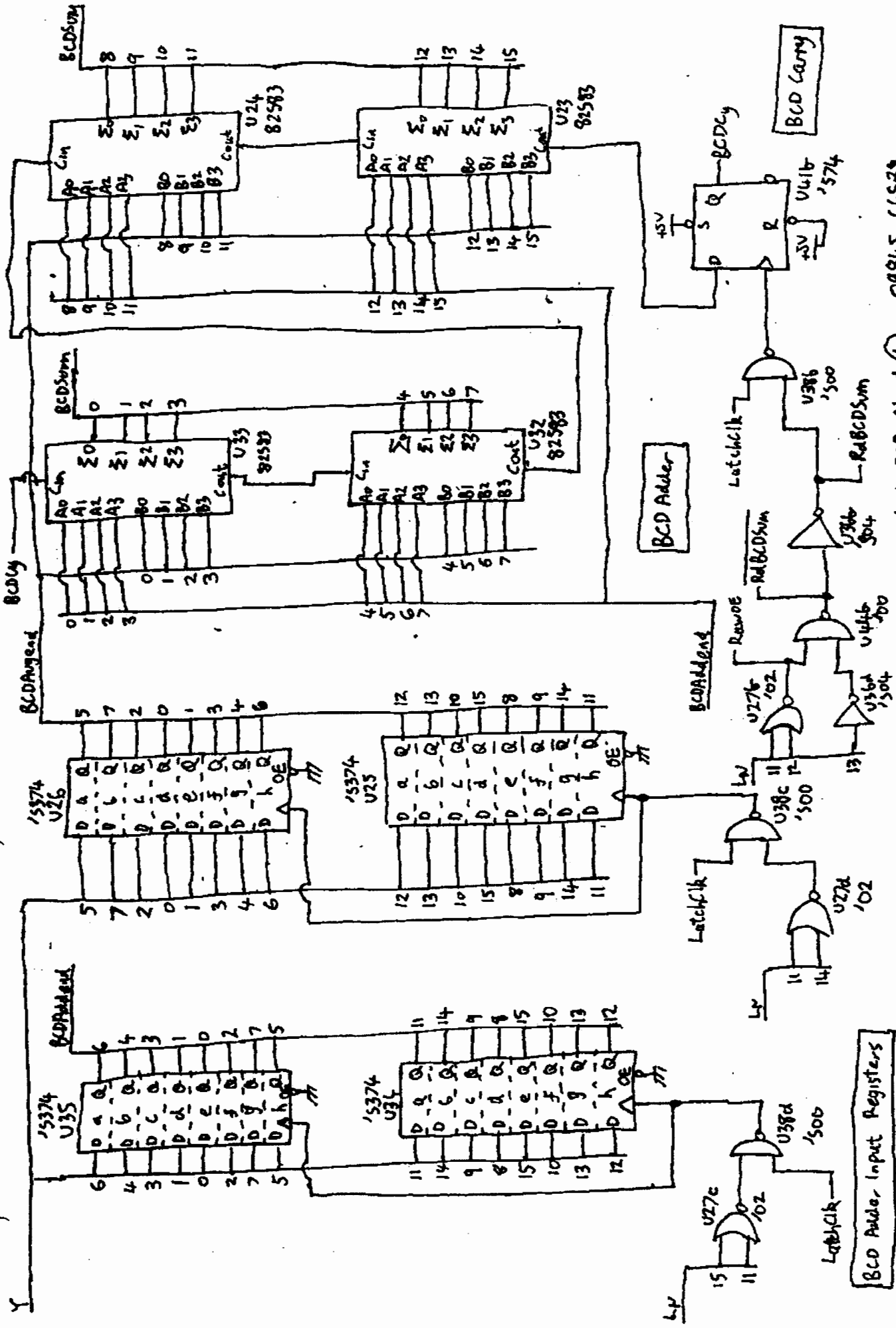
Memory Byte Select



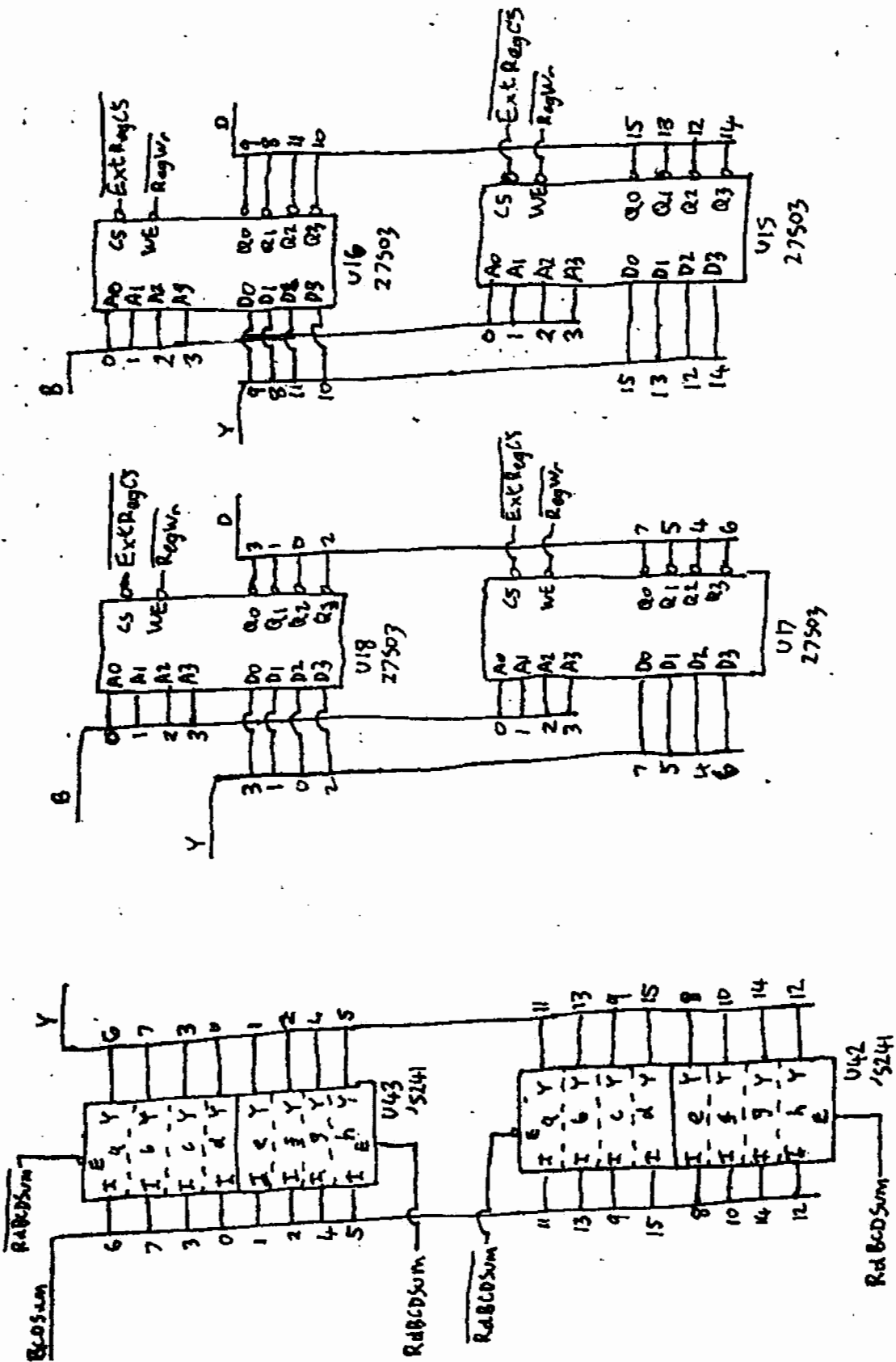


HP9845 High Speed Language Processor Control PCB Sheet 2 09845-66838

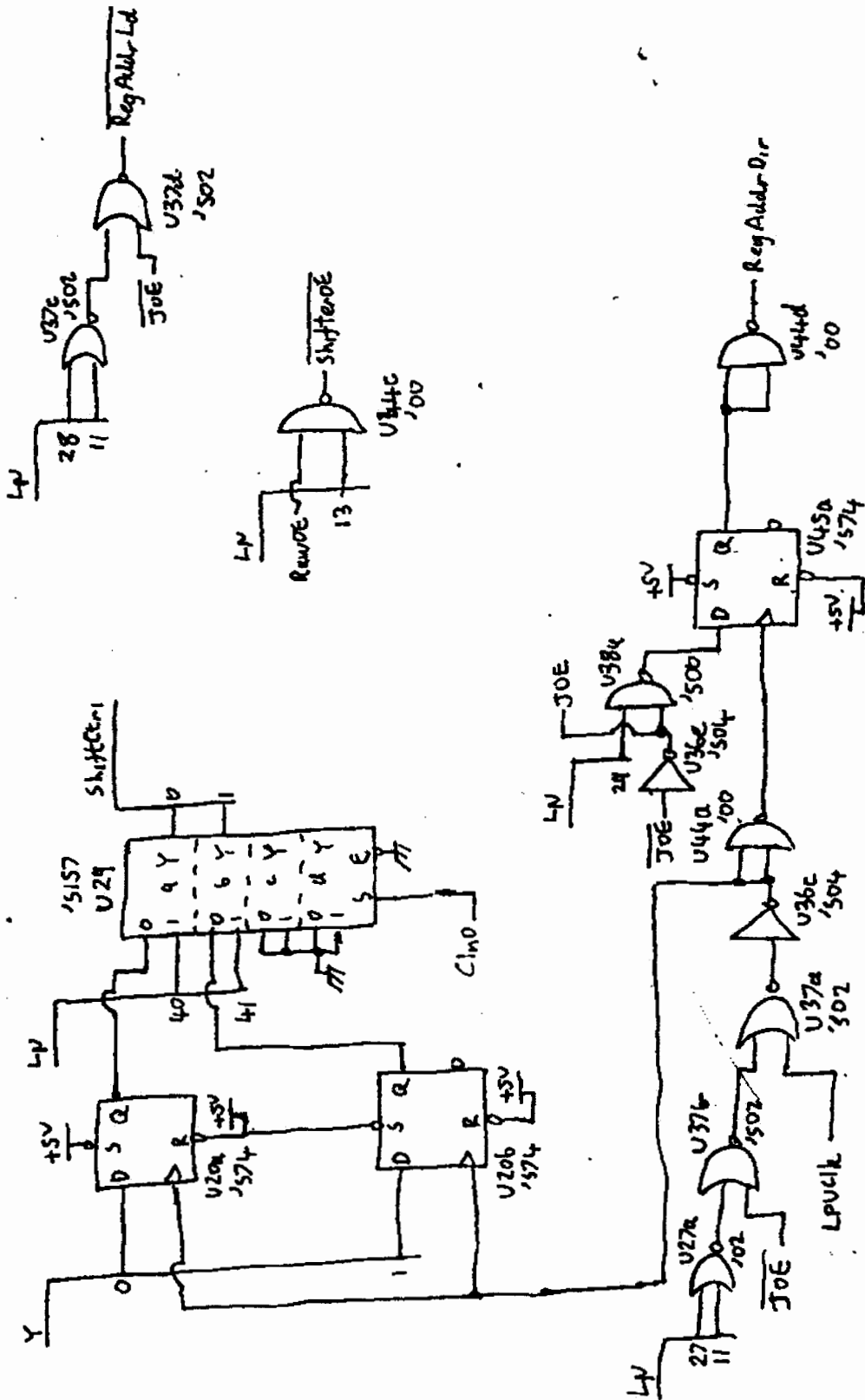


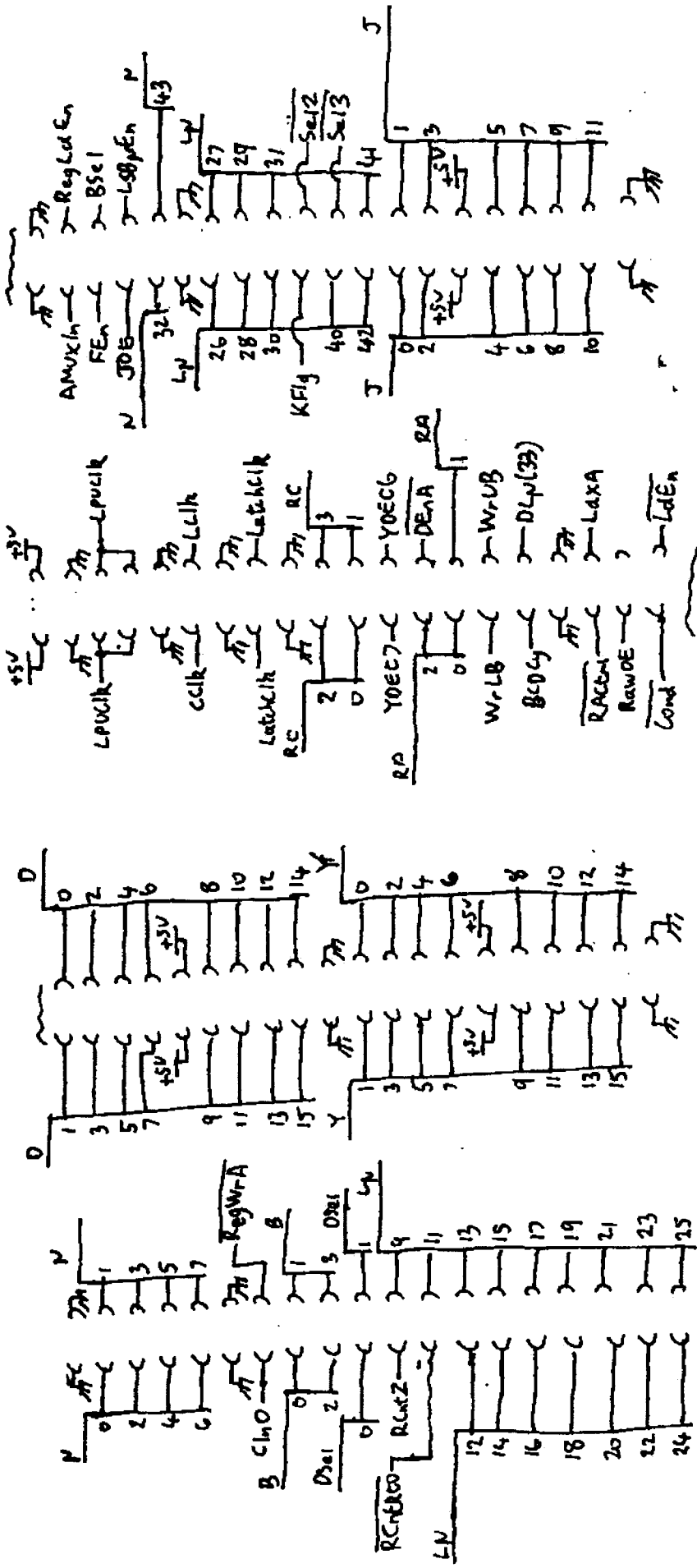


HP9845 High Speed Language Processor Control PCB Sheet (4) 09845-66538



BCD Address Output Buffer



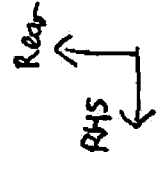


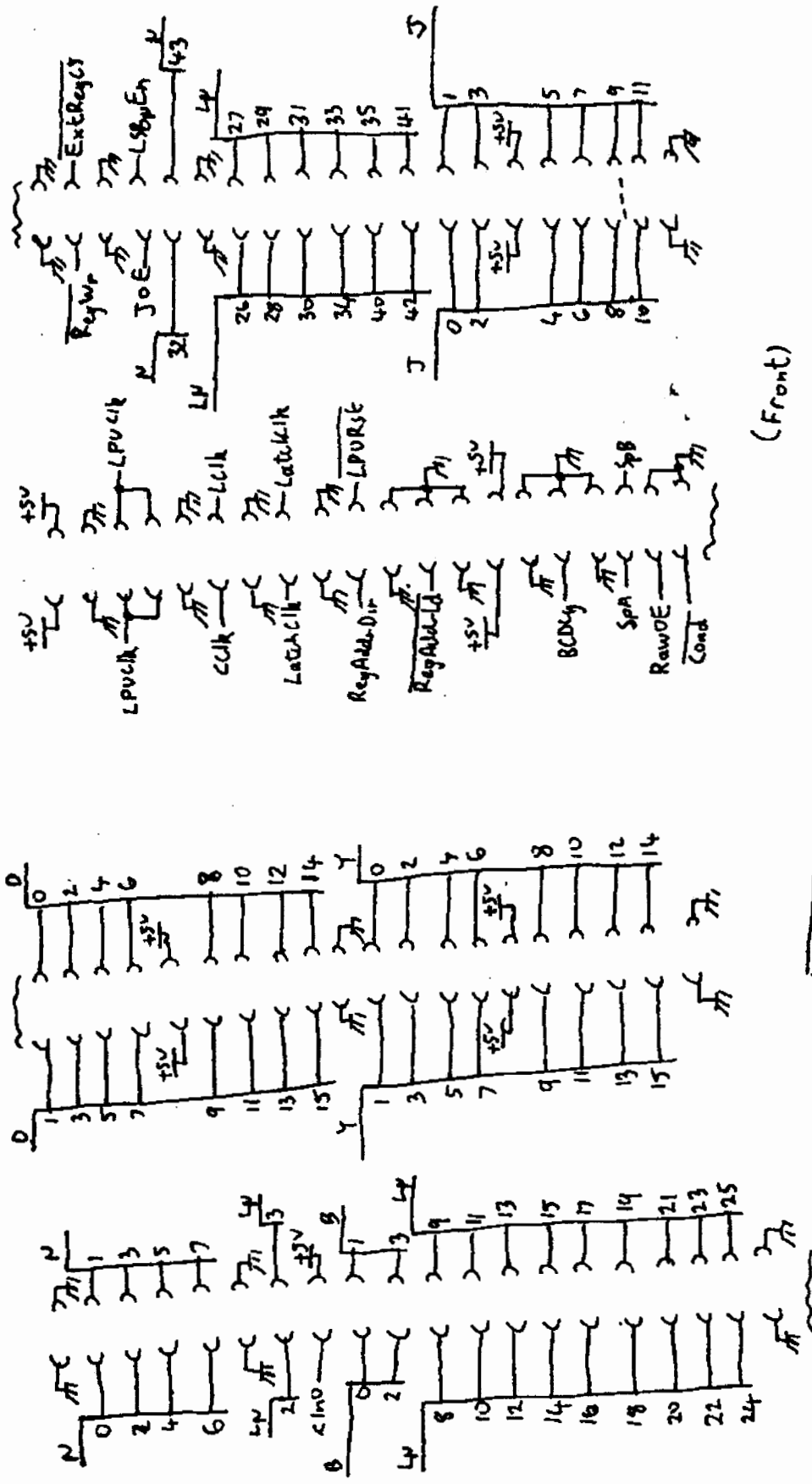
(Front)

(Rear)

Data Path PCB Connectors

(09845-66537)



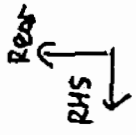


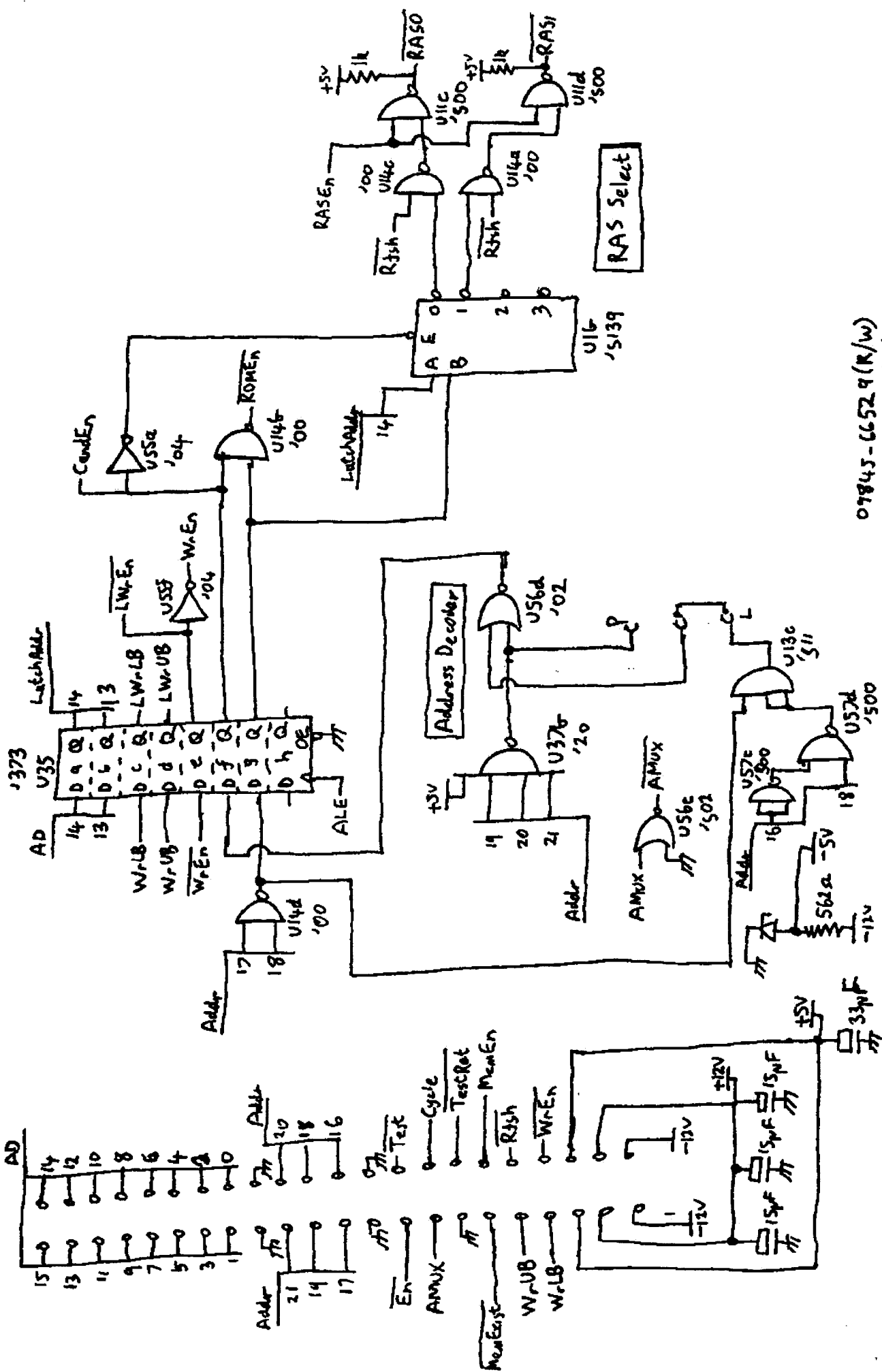
(Front)

(Rear)

Control PCB Connectors

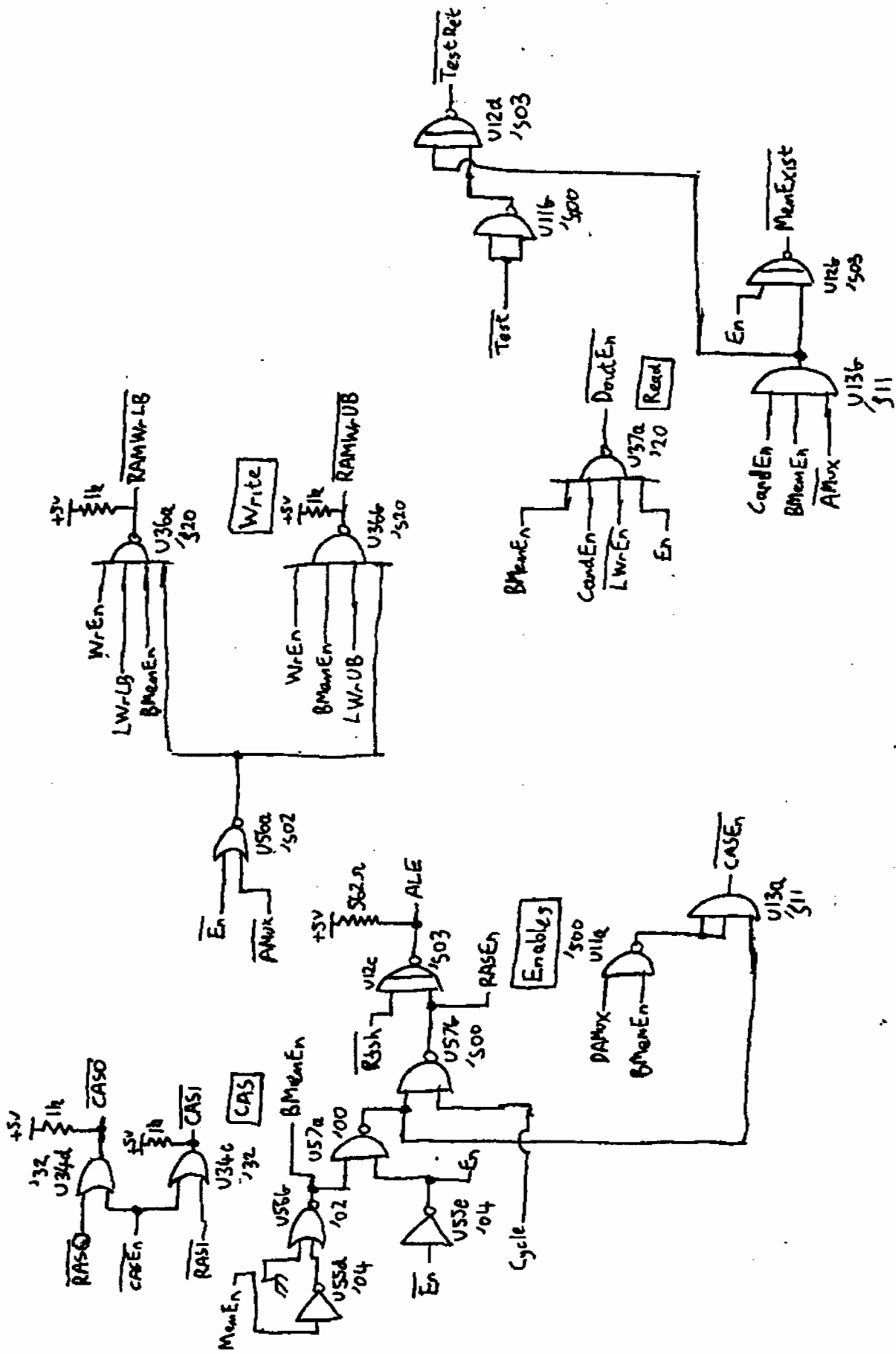
(09845-66538)



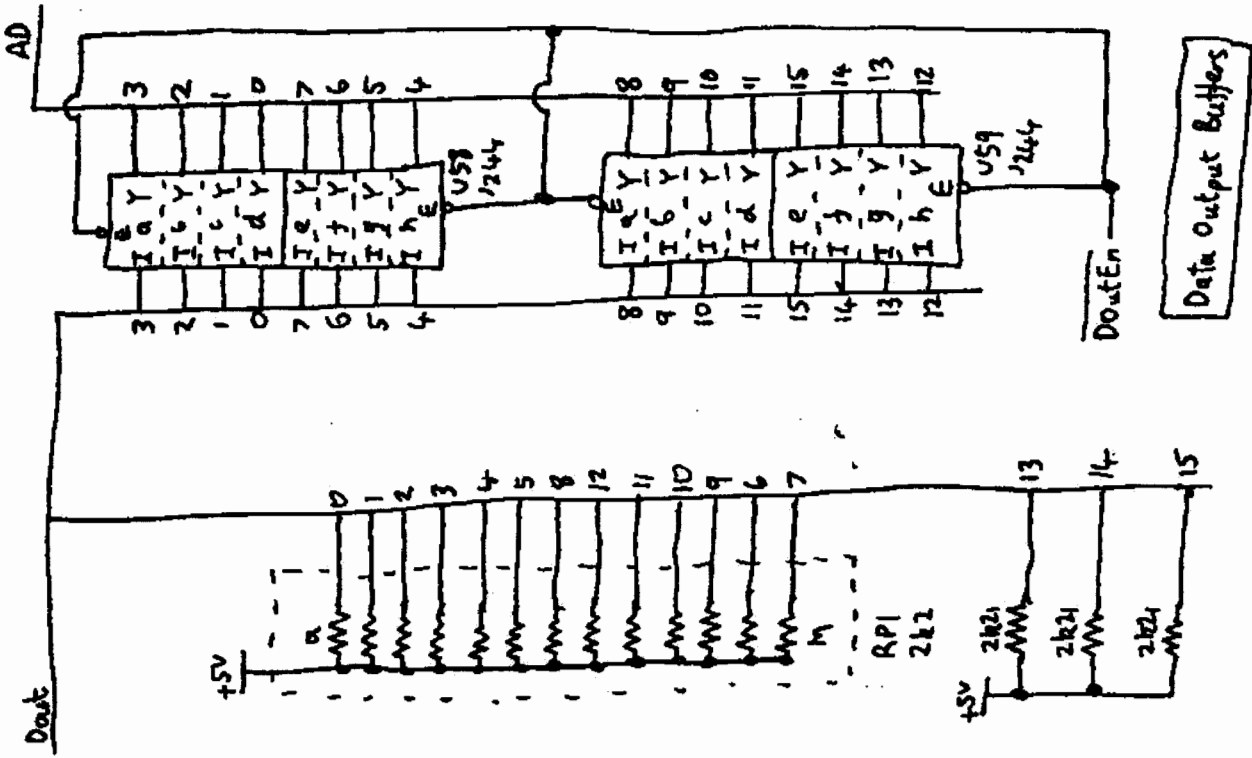


07845-66529 (R/W)
 07845-66546 (Y/8v)

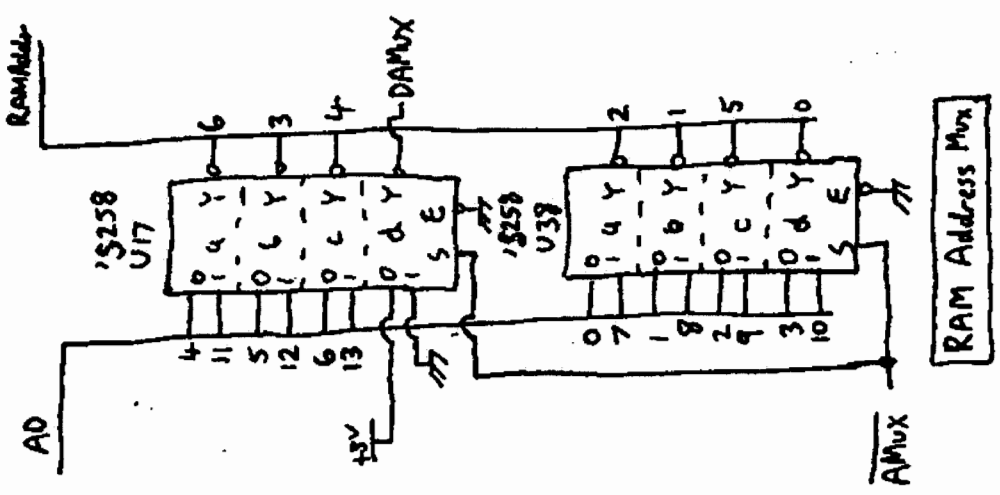
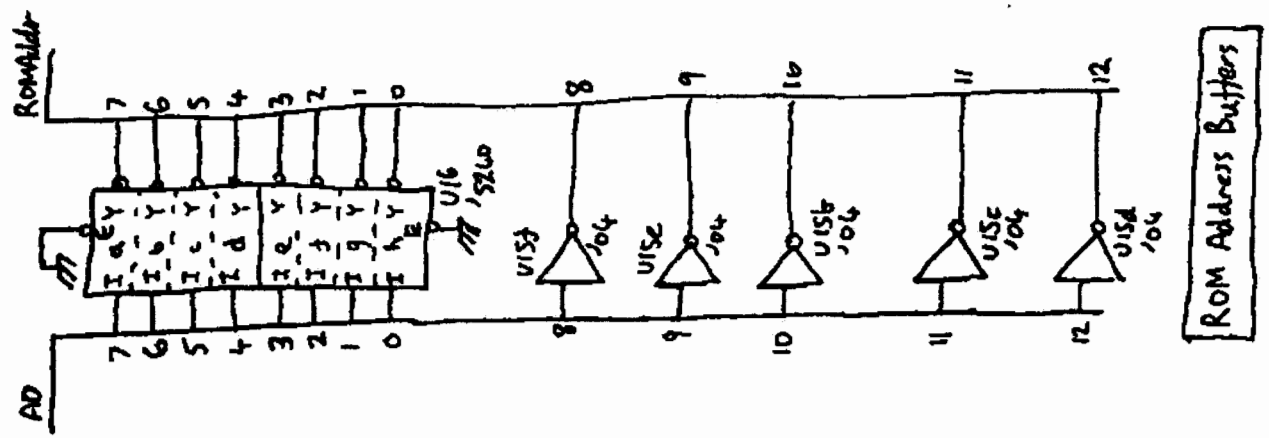
HP9845 ROM/RAM PCB Sheet ①



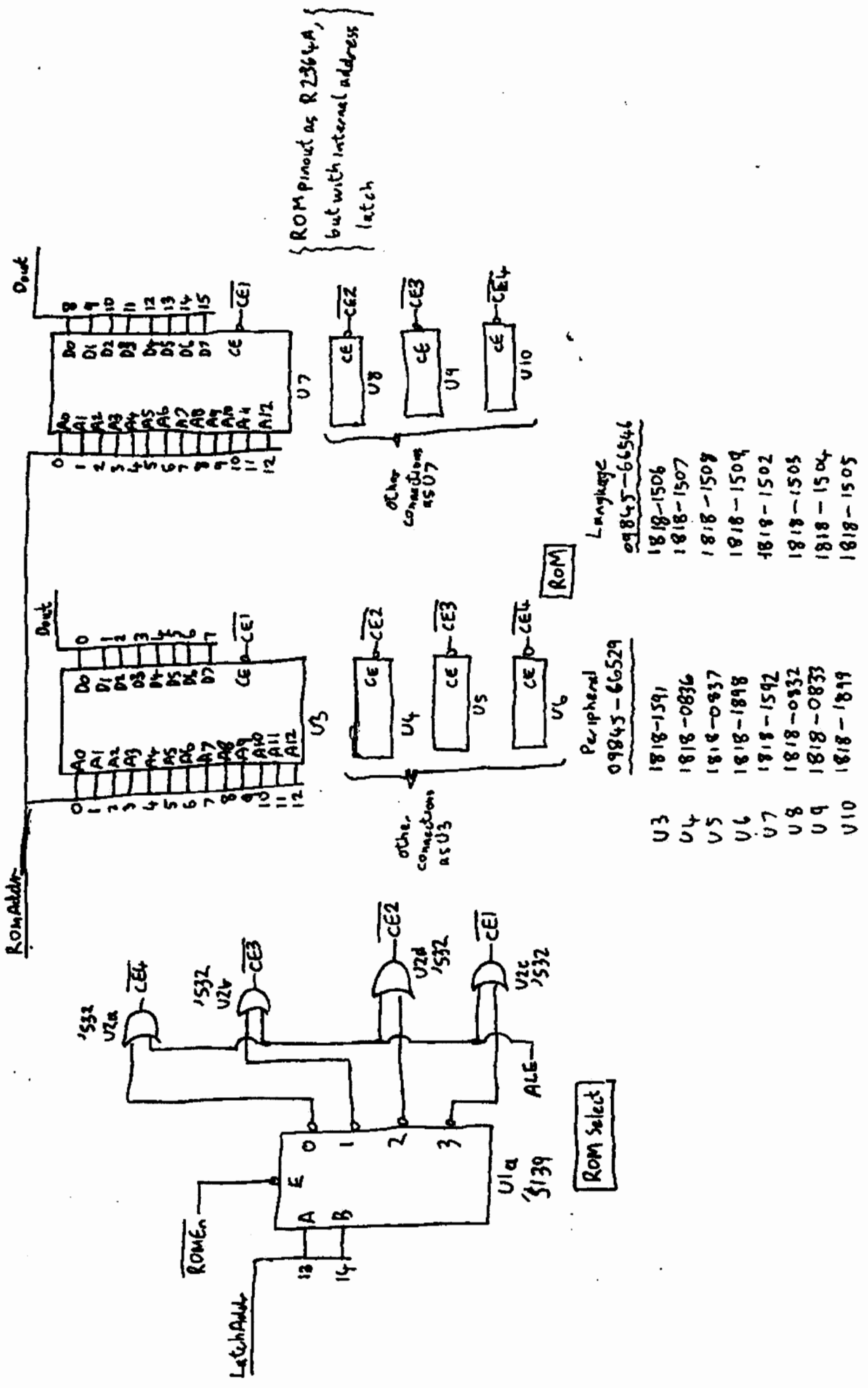
09845-66529 (R/W)
 09845-66546 (Y/Bu)



09845-66529 (R/W)
 09845-66546 (Y/Bu)



HP9845 ROM/RAM PCB Sheet ③



ROM pinout as R2364A,
but with internal address
latch

Language
09845-66546

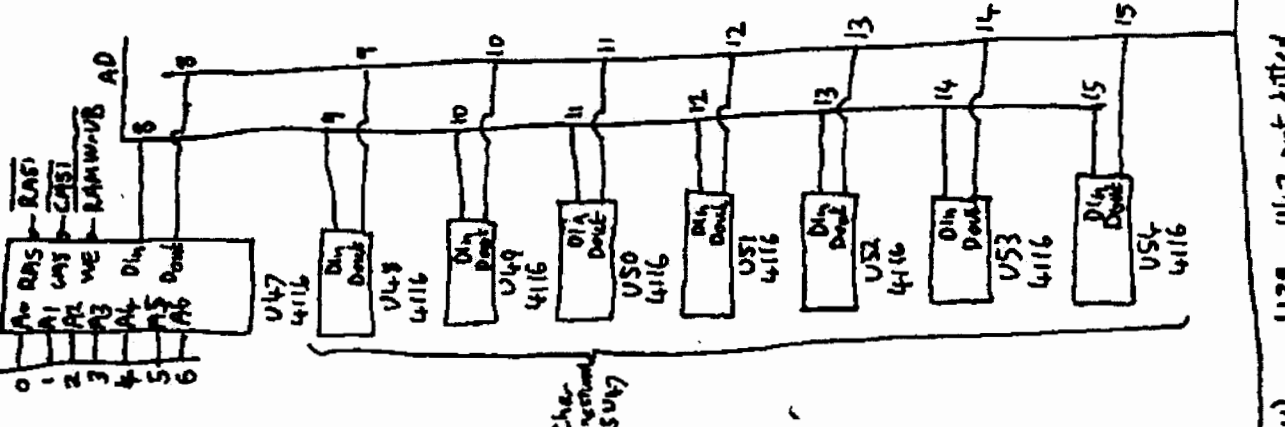
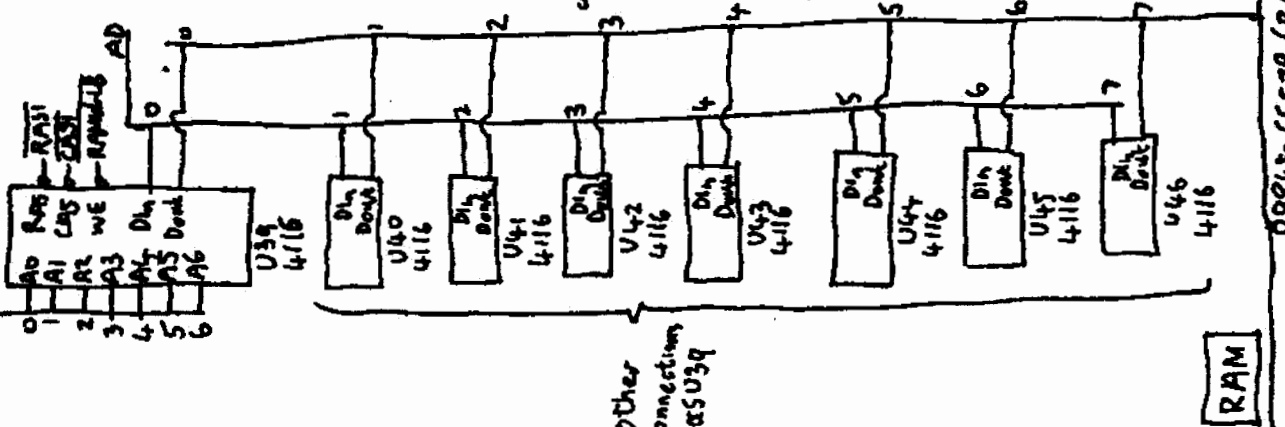
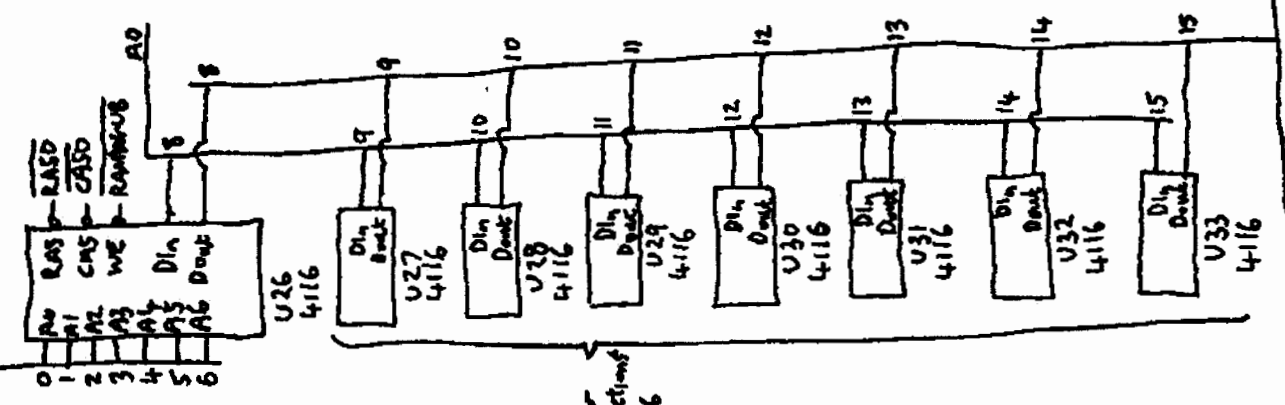
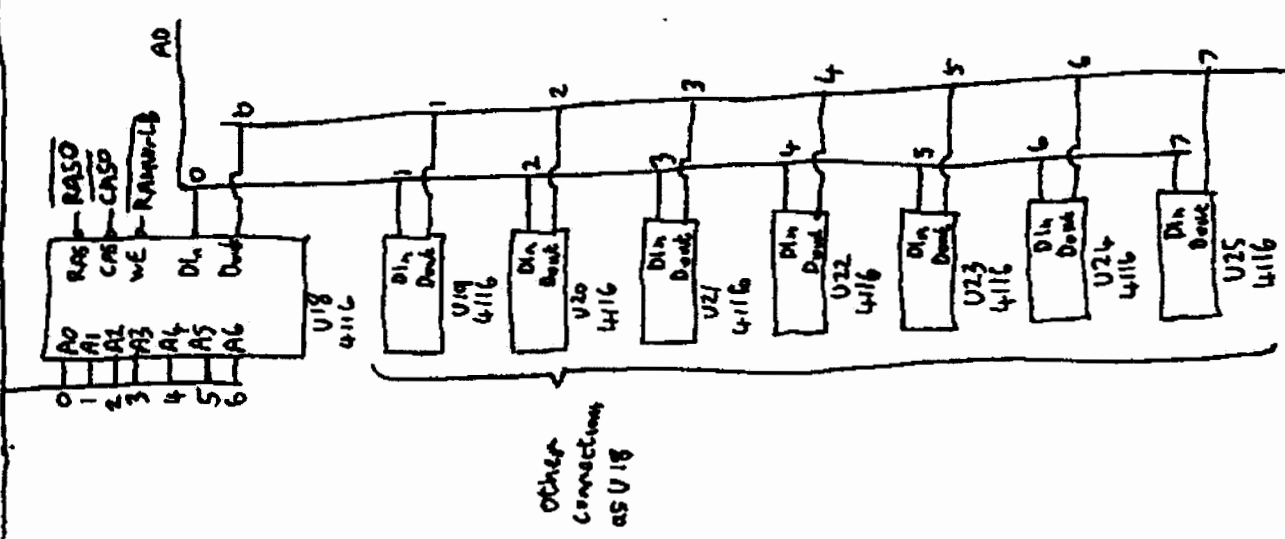
- 1818-1506
- 1818-1507
- 1818-1508
- 1818-1509
- 1818-1502
- 1818-1503
- 1818-1504
- 1818-1505

Peripheral
09845-66529

- U3 1818-1591
- U4 1818-0836
- U5 1818-0837
- U6 1818-1898
- U7 1818-1592
- U8 1818-0832
- U9 1818-0833
- U10 1818-1899

09845-66529 (RAM)
09845-66546 (Y/Bu)

RAM Address

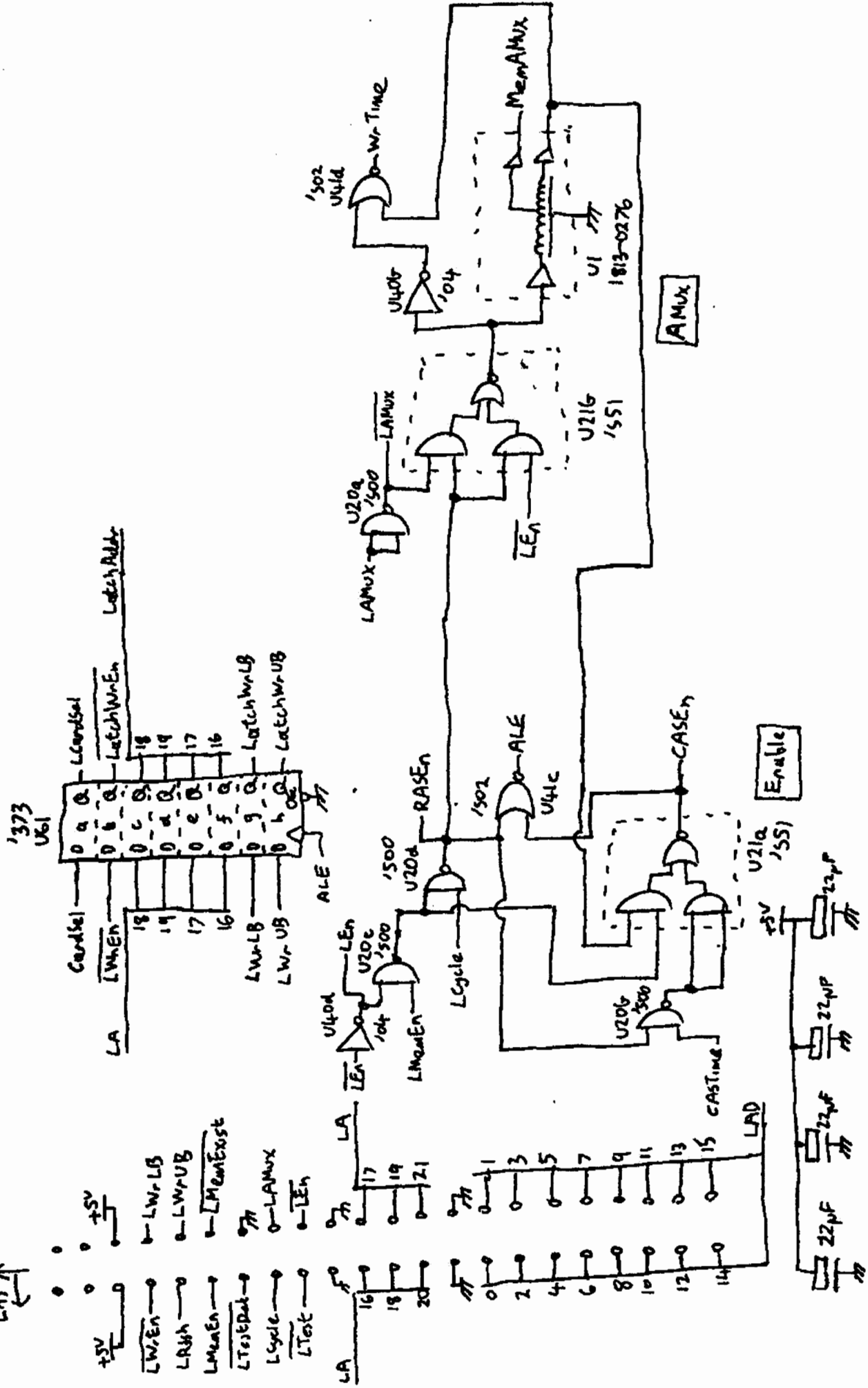


RAM

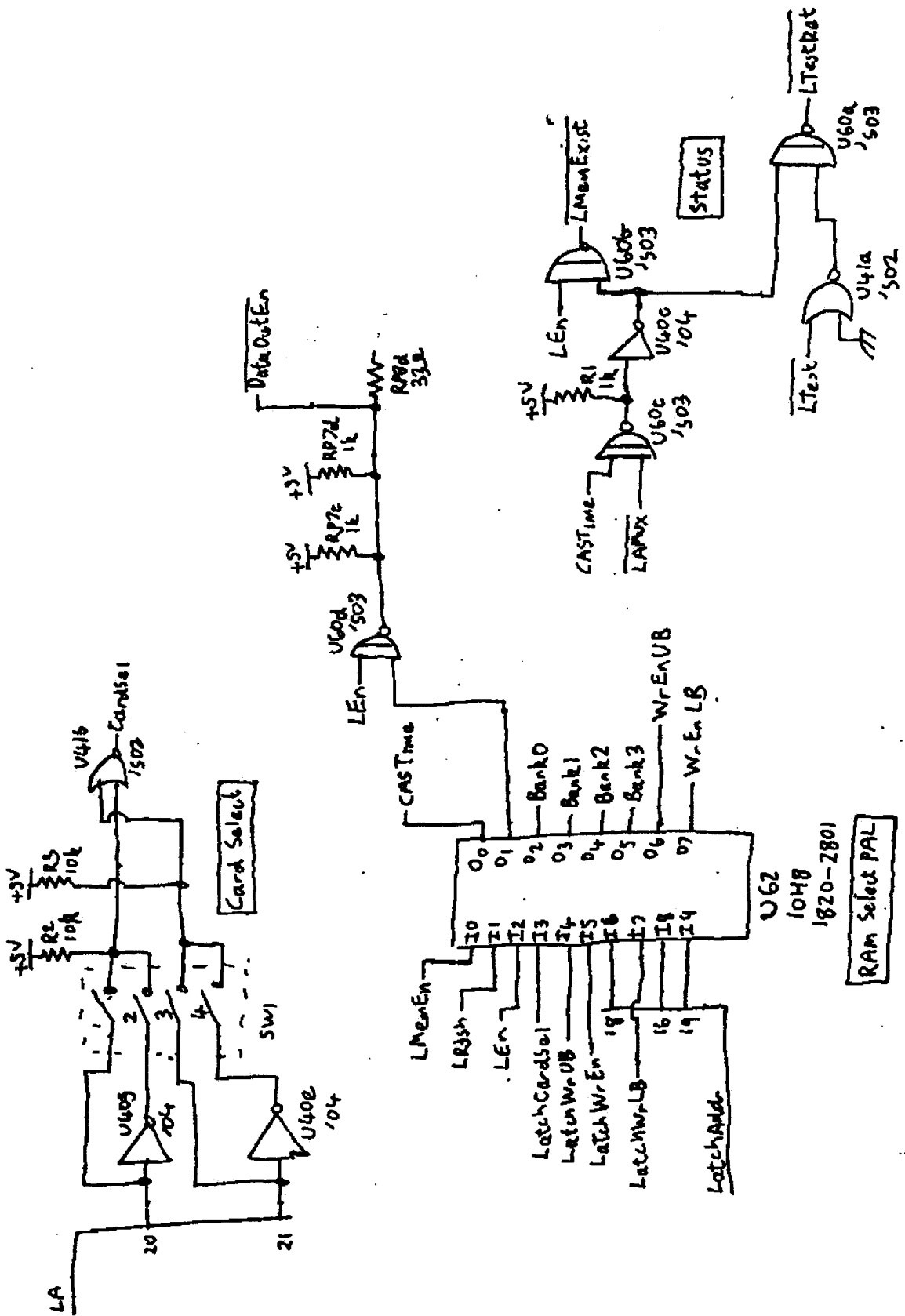
09845-66529 (R/W)
09845-66546 (Y/B4)

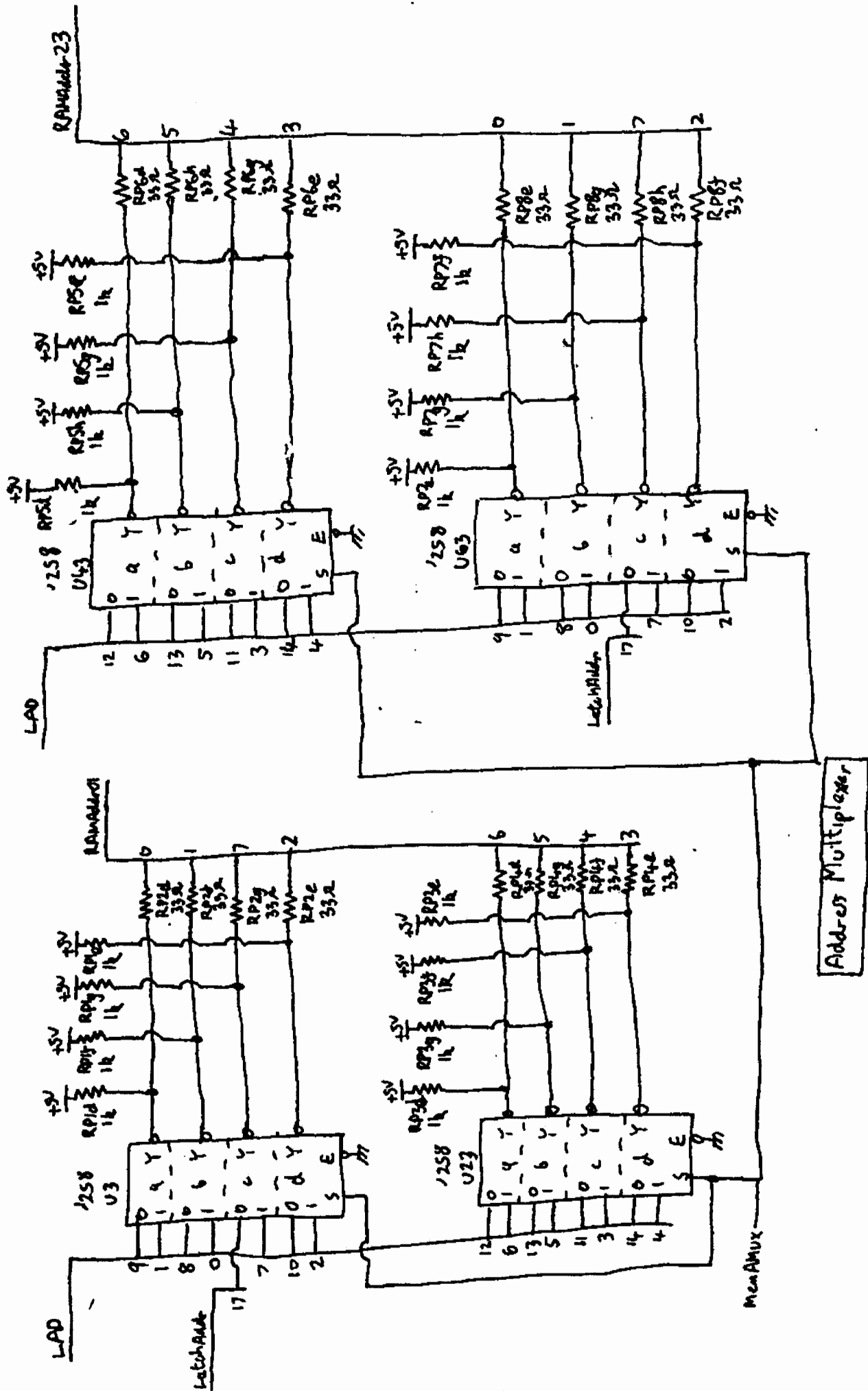
U39= U47 not fitted
on 09845-66529

Rear
LHS ↗



HP9845 256K RAM PCB Sheet ① 09845-66590 (w/Blk)

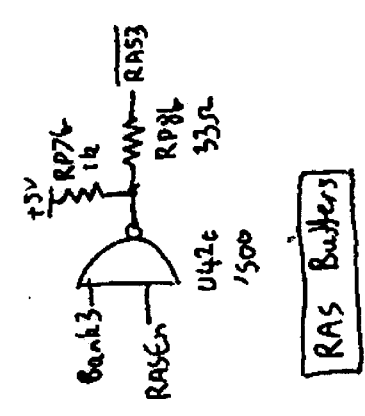
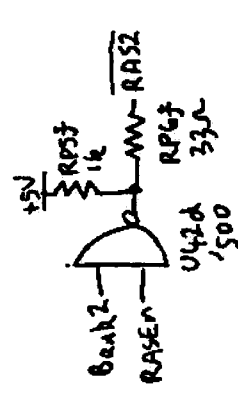
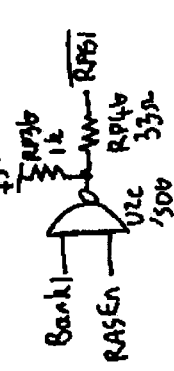
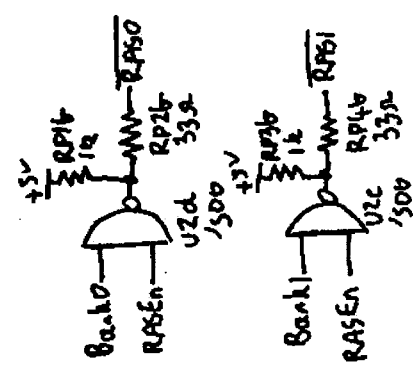




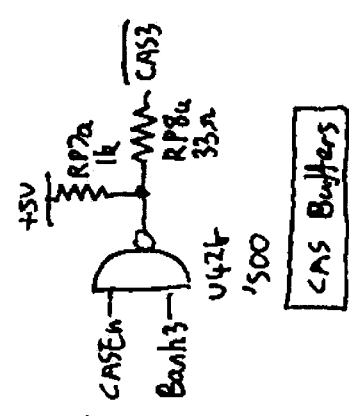
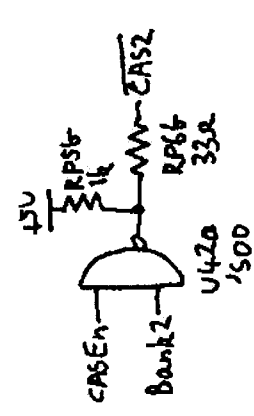
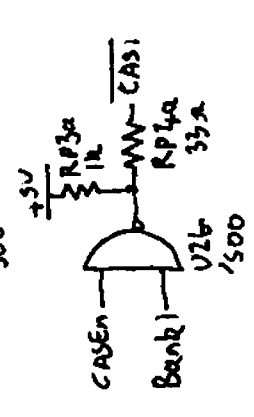
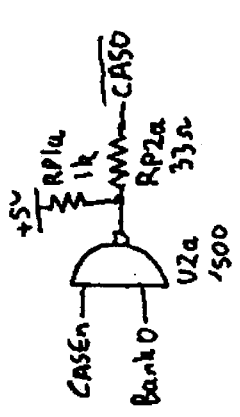
09945-66590 (w/Bk)

256K RAM PCB Sheet ③

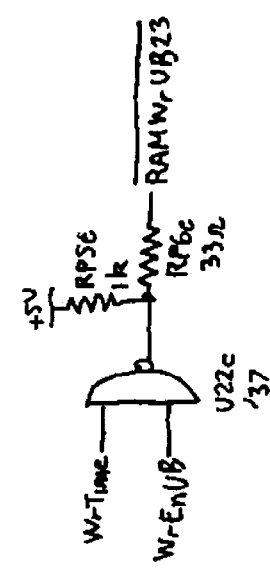
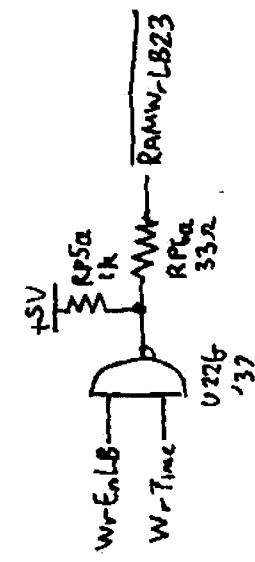
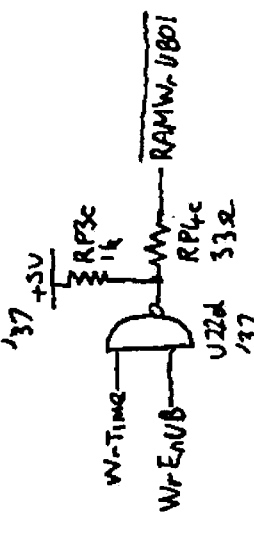
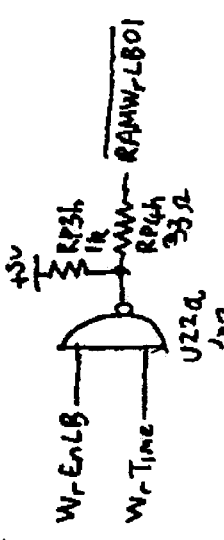
HP9845



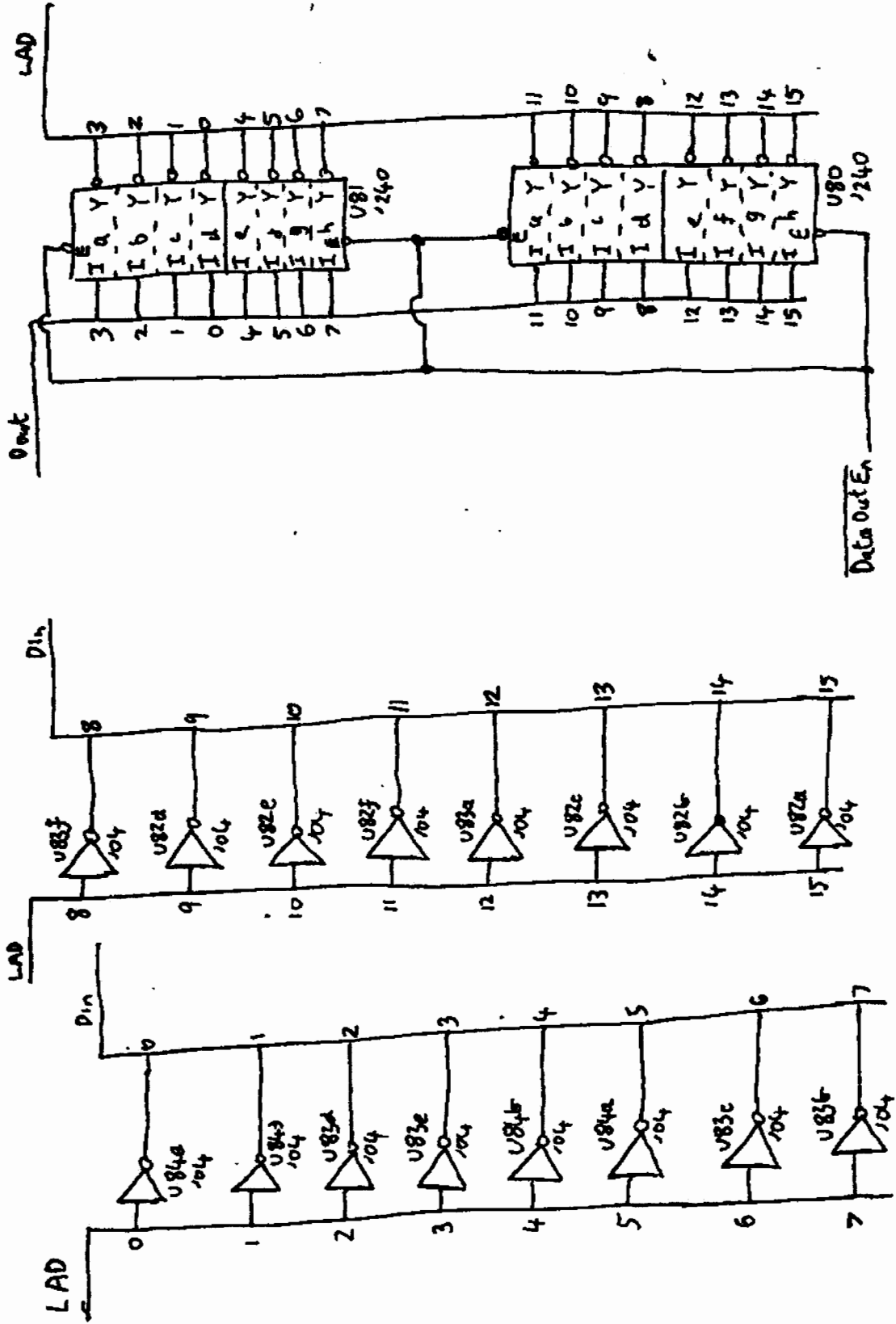
RAS Buffers



CAS Buffers



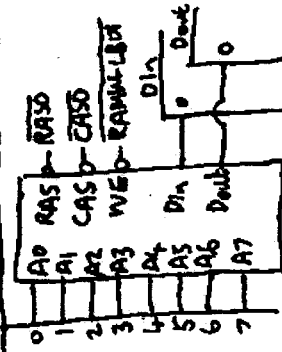
RAM Write Buffers



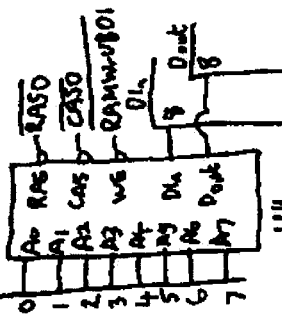
Data Input Buffers

Data Output Buffers

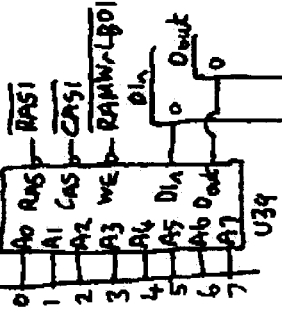
RAM Bank 0



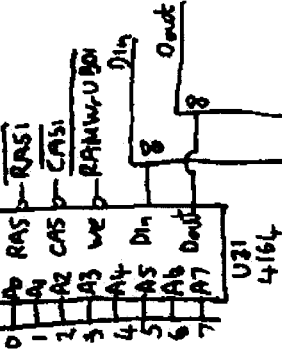
Other connections as U19



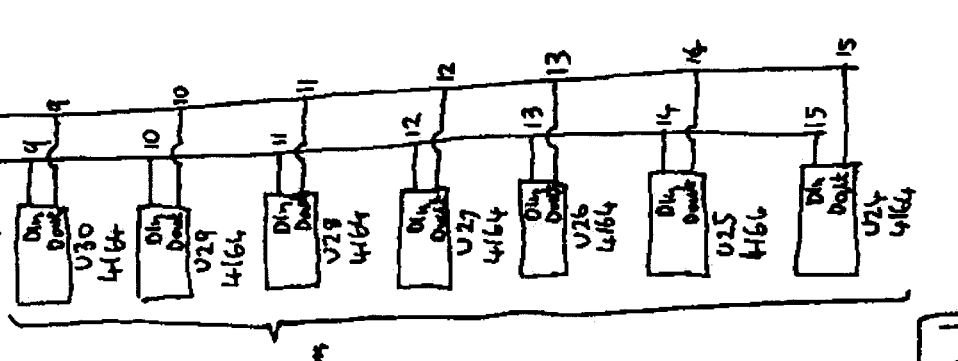
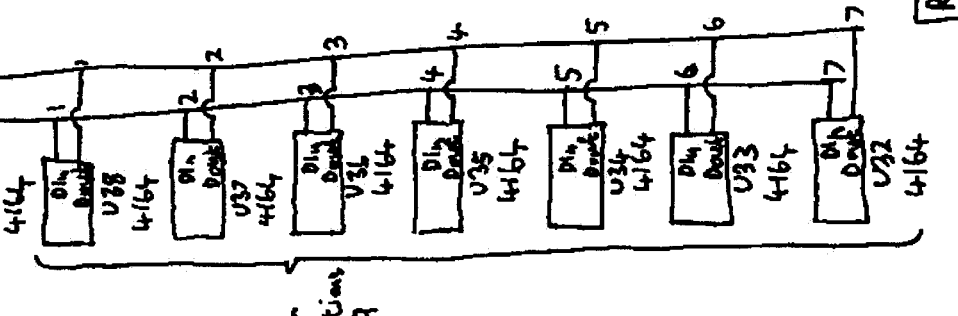
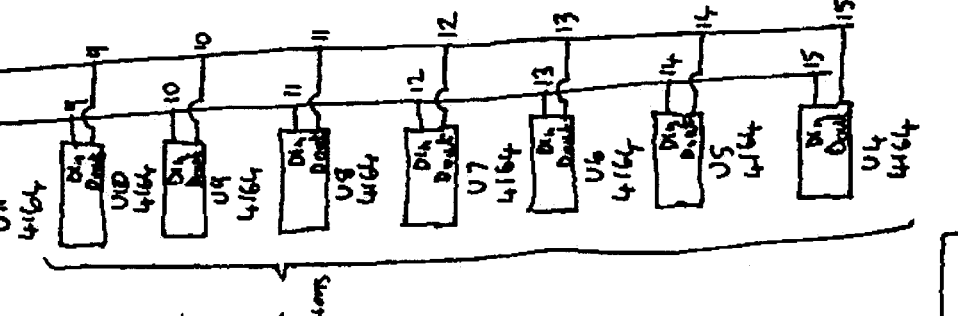
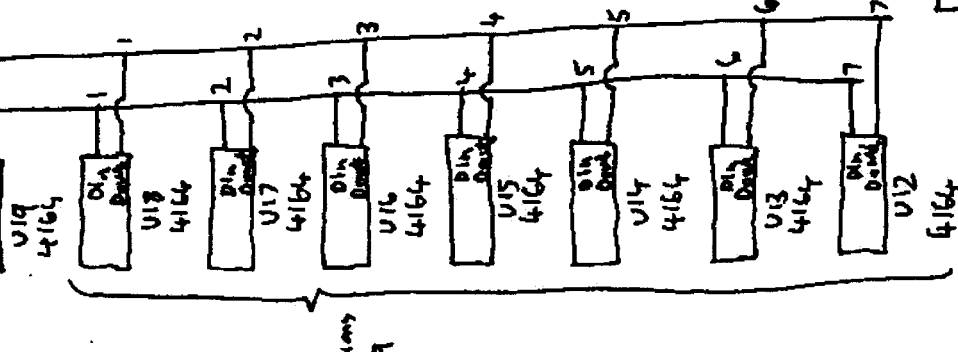
Other connections as U39



Other connections as U29



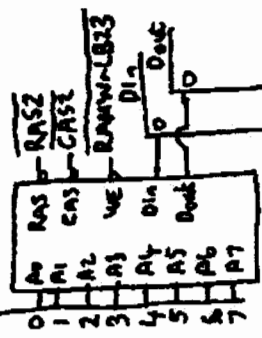
Other connections as U23



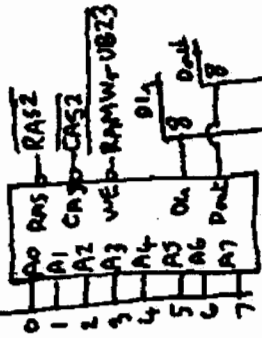
RAM Bank 0

RAM Bank 1

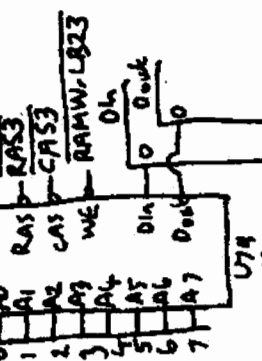
RAMA623



Other connections as U59

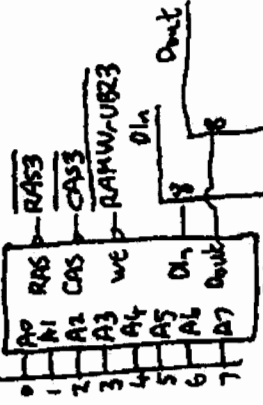


Other connection as U51

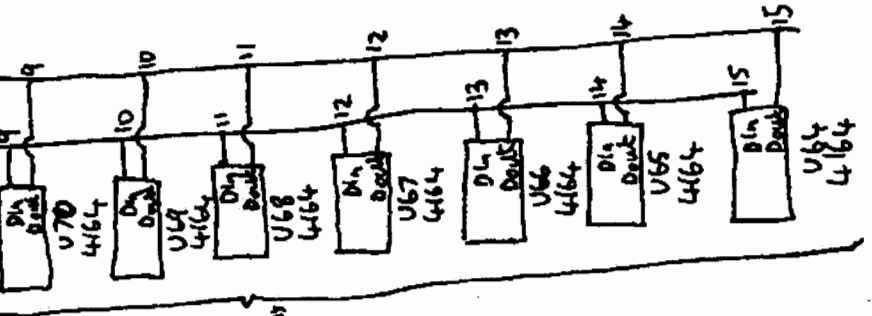


Other connections as U79

RAM Bank 3



Other connections as U71



RAM Bank 2

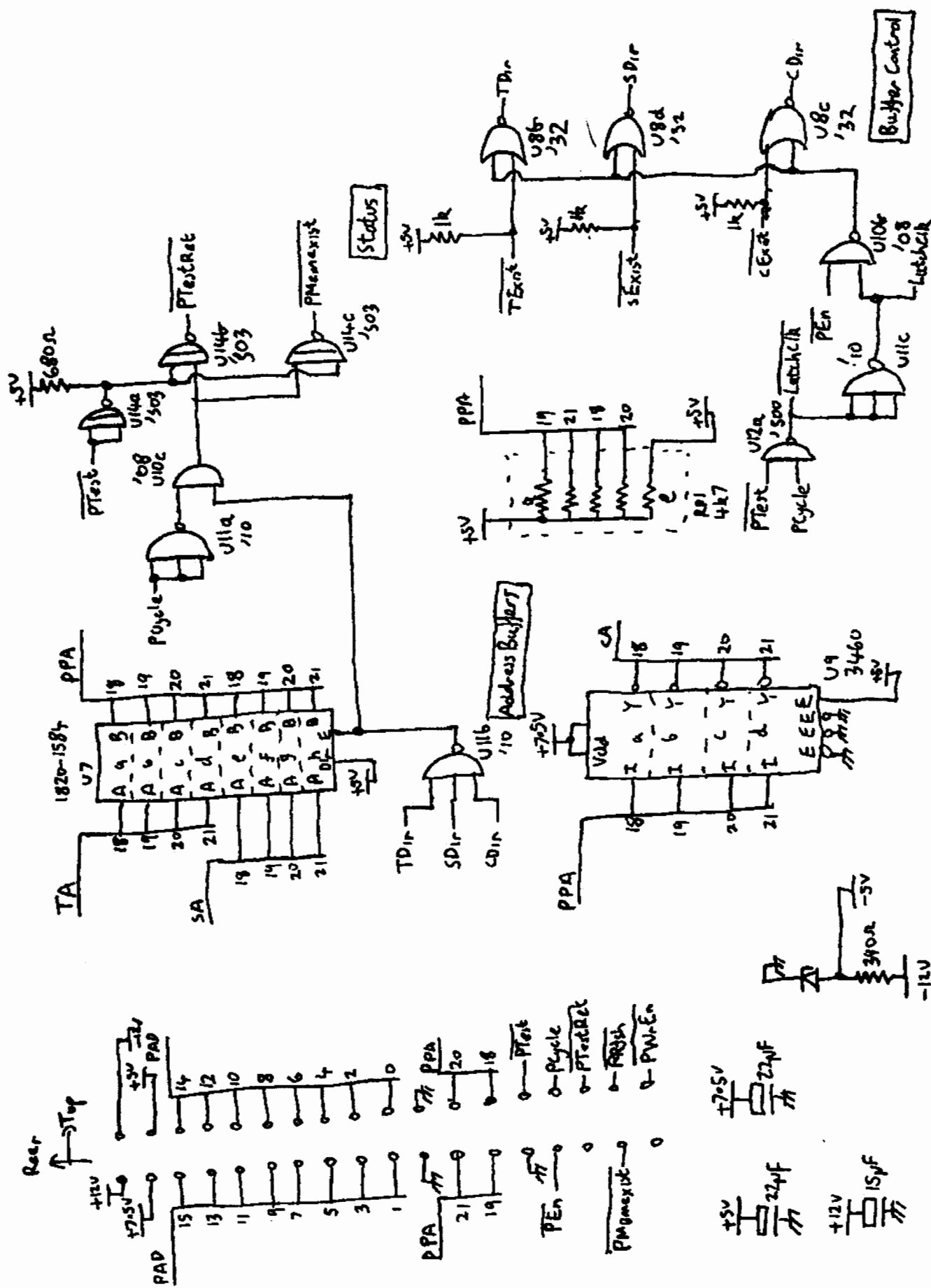
09845-66590 (w/Bk)

Sheet 2

RAM PCB

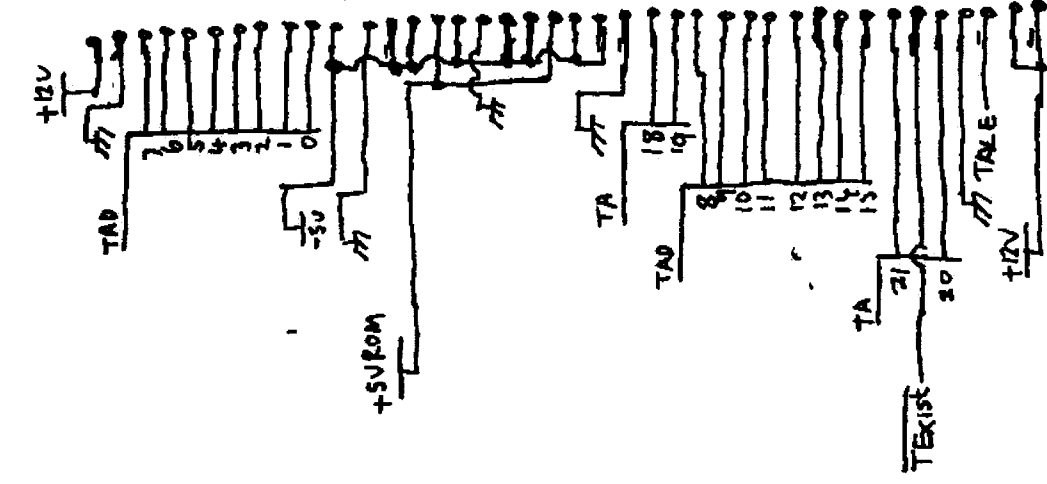
256k

HP9845

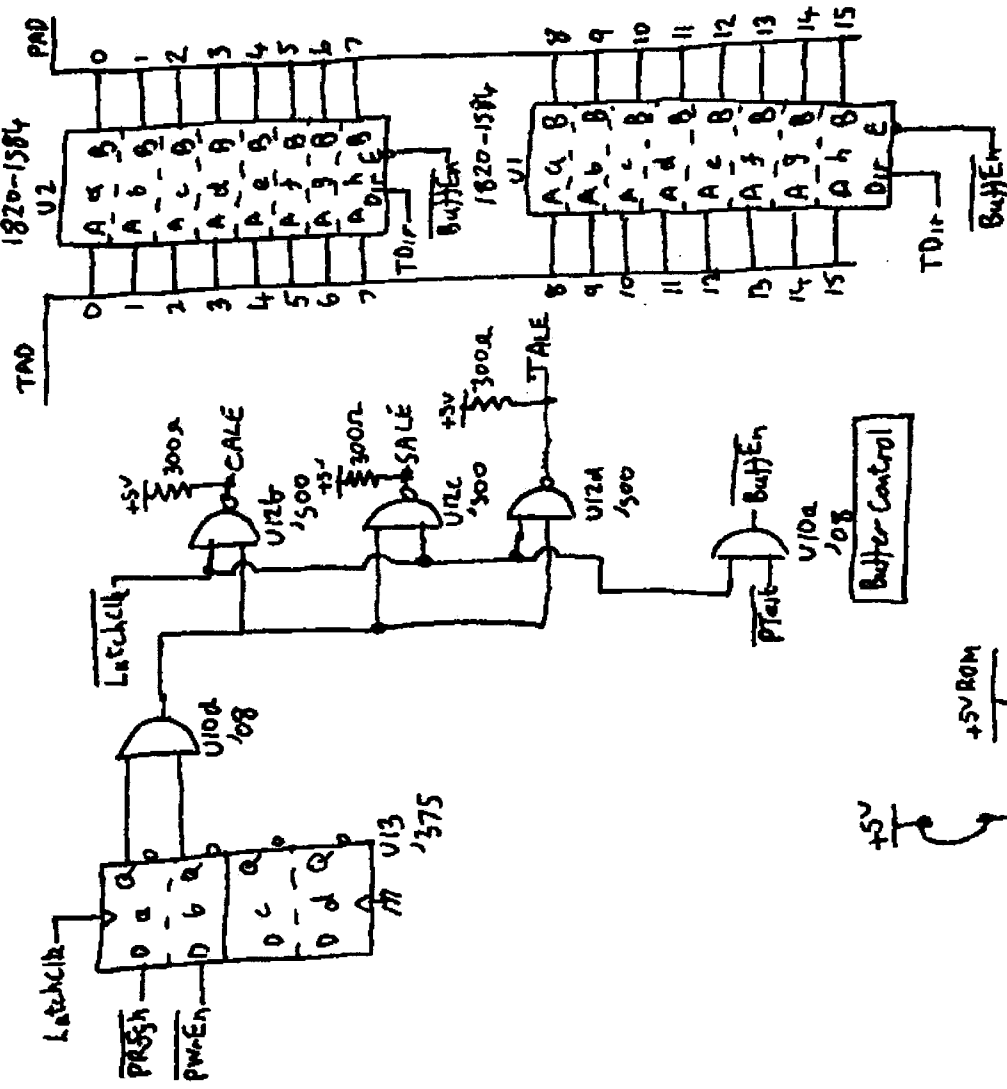


HP9845 Left-Hand ROM Drawer Sheet 1 O9845-66544

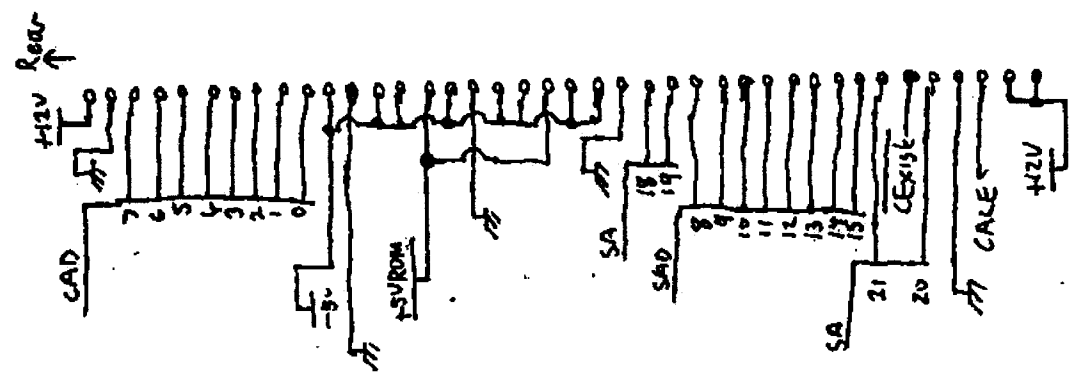
Rear ↑



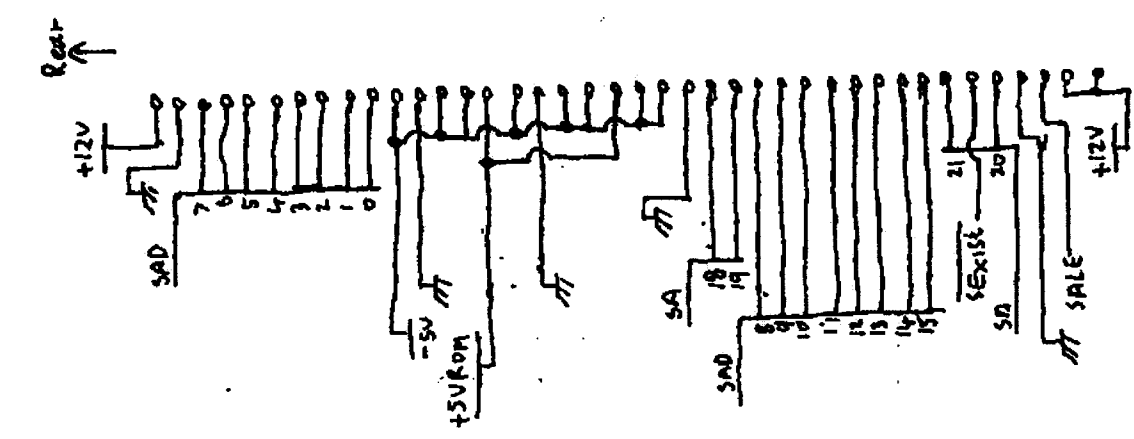
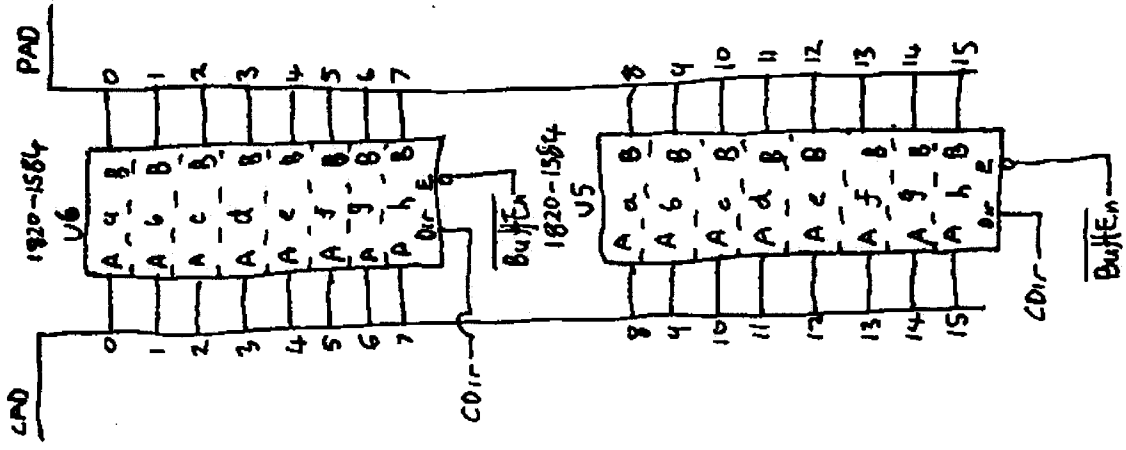
△ ROM slot
(Typical of 3)



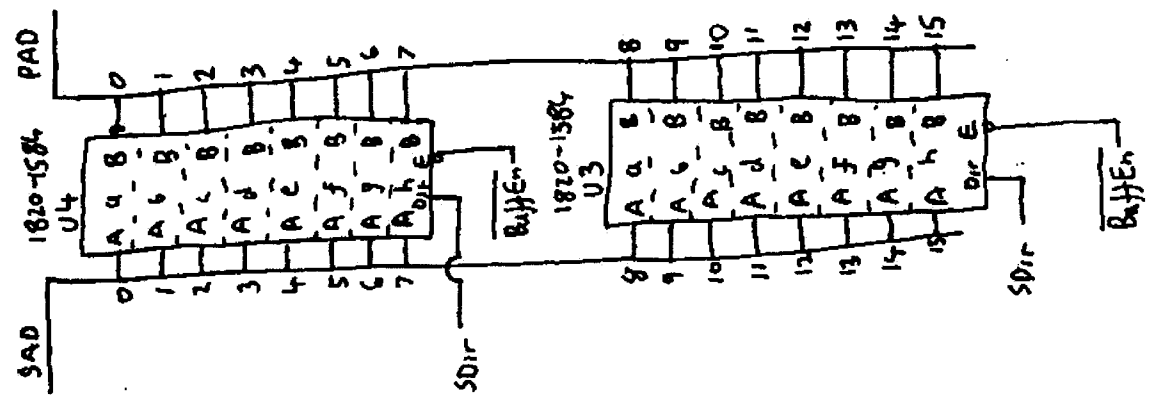
HP 9845 Left-Hand ROM Drawer sheet ② 09845-66544

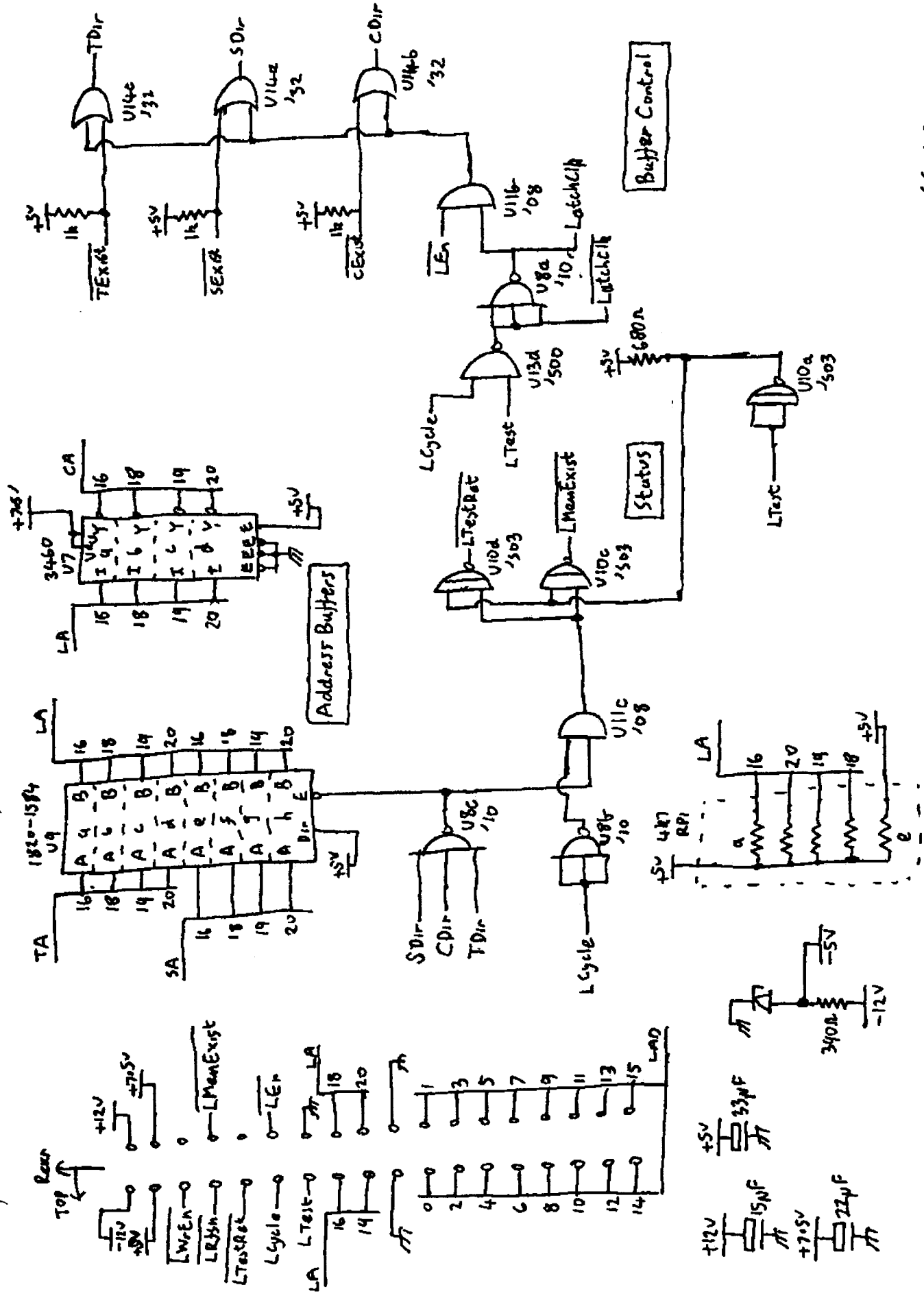


ROM slot
(Typical of 3)



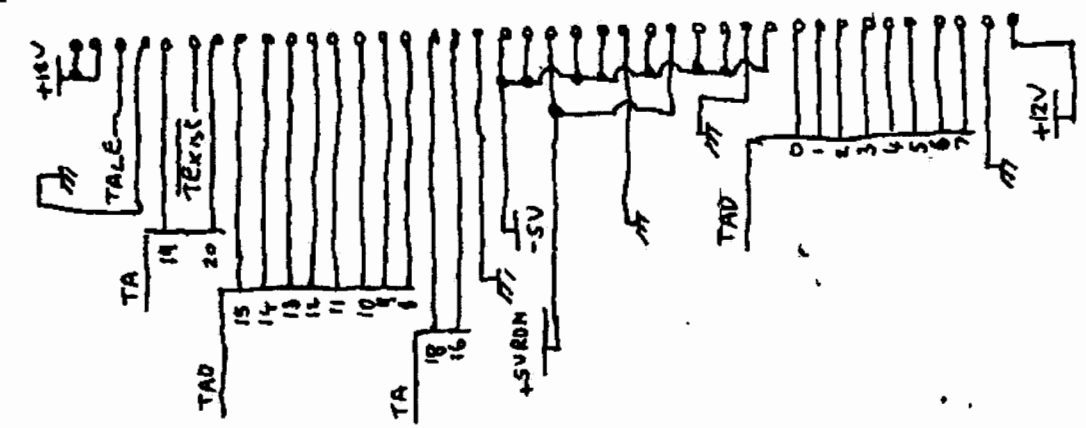
ROM slot
(Typical of 2)



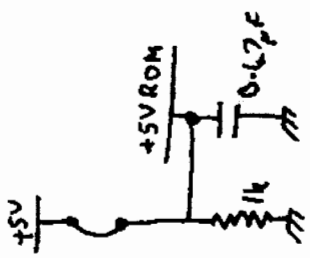
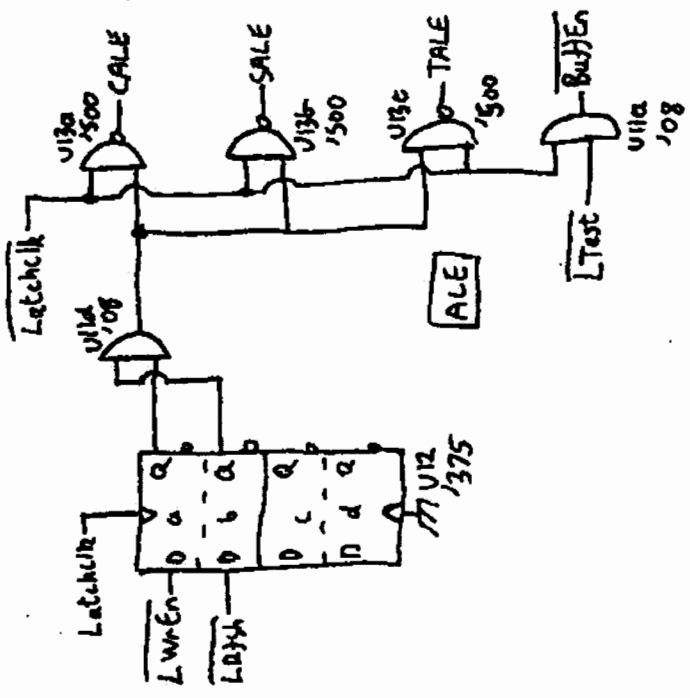
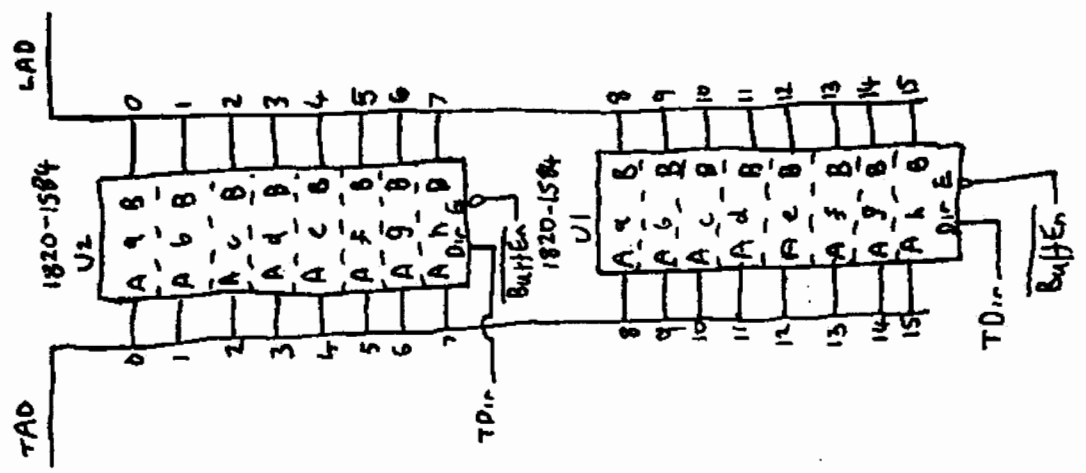


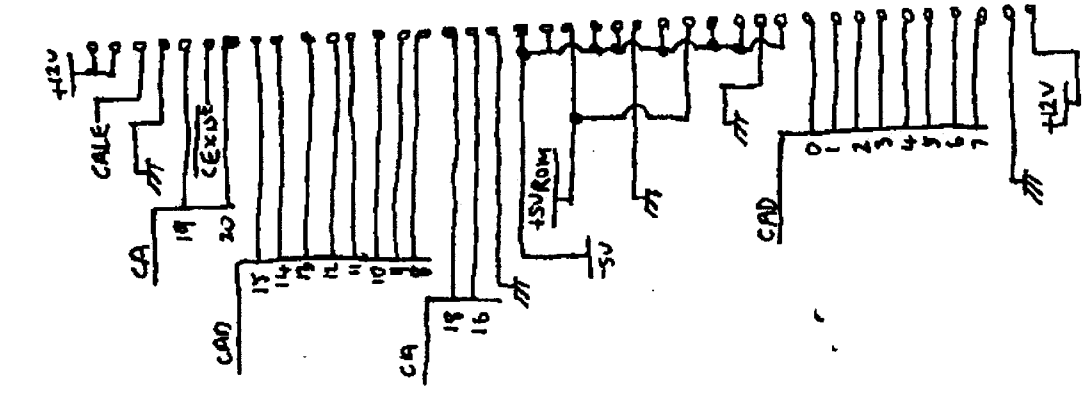
HP 9845 Right-Hand ROM Drawer Sheet ① 09845-66542

Rear ↑

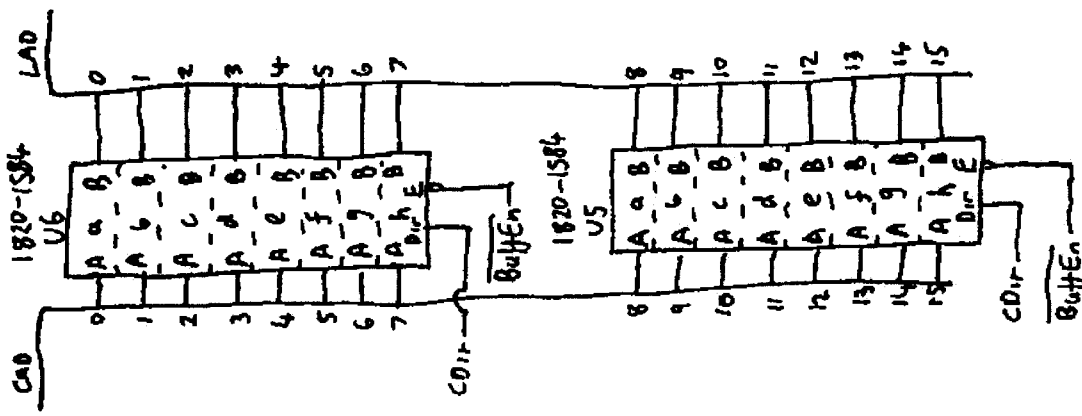


△ ROM slot
(Typical of 3)

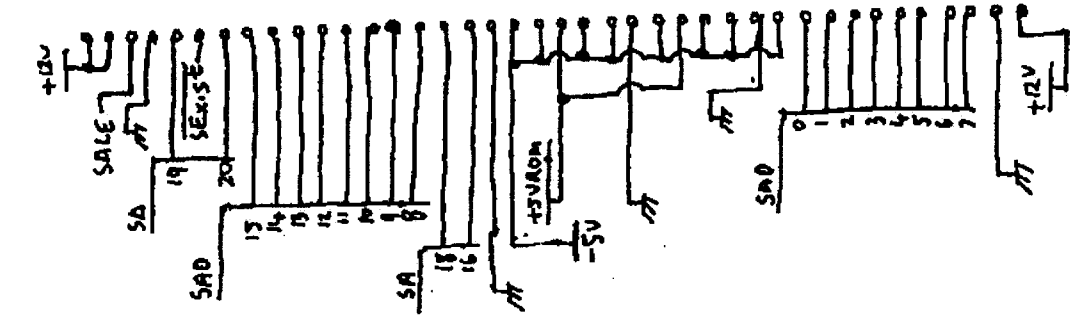
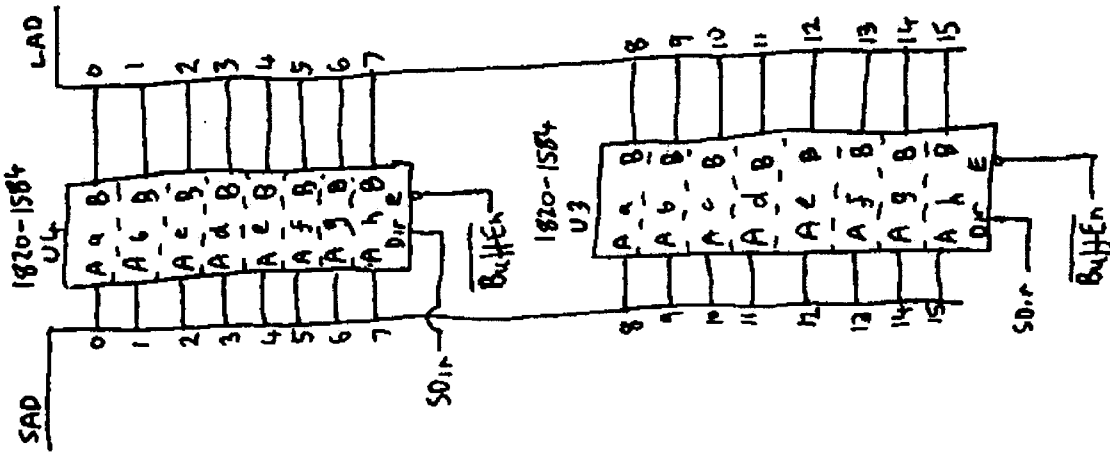


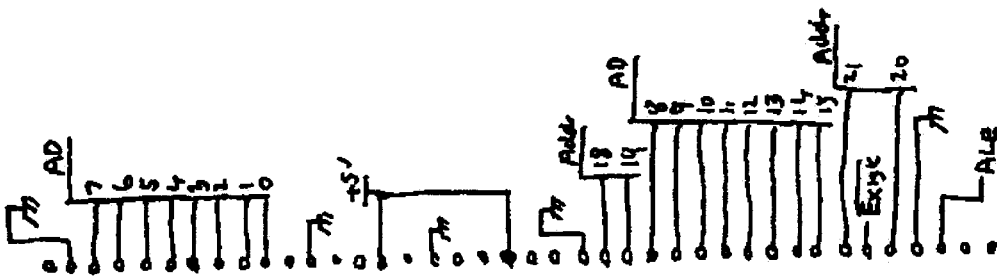
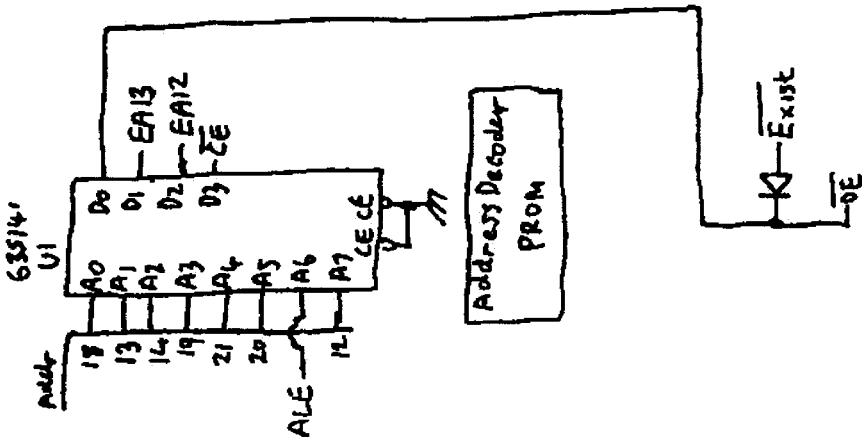
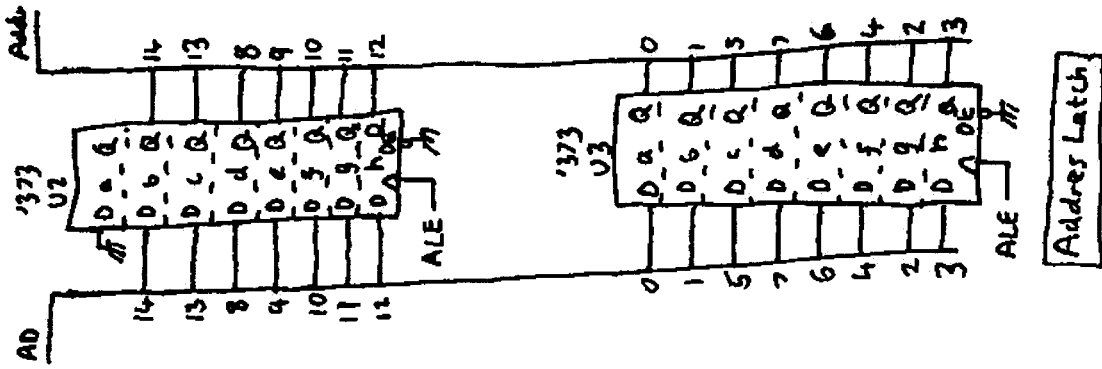
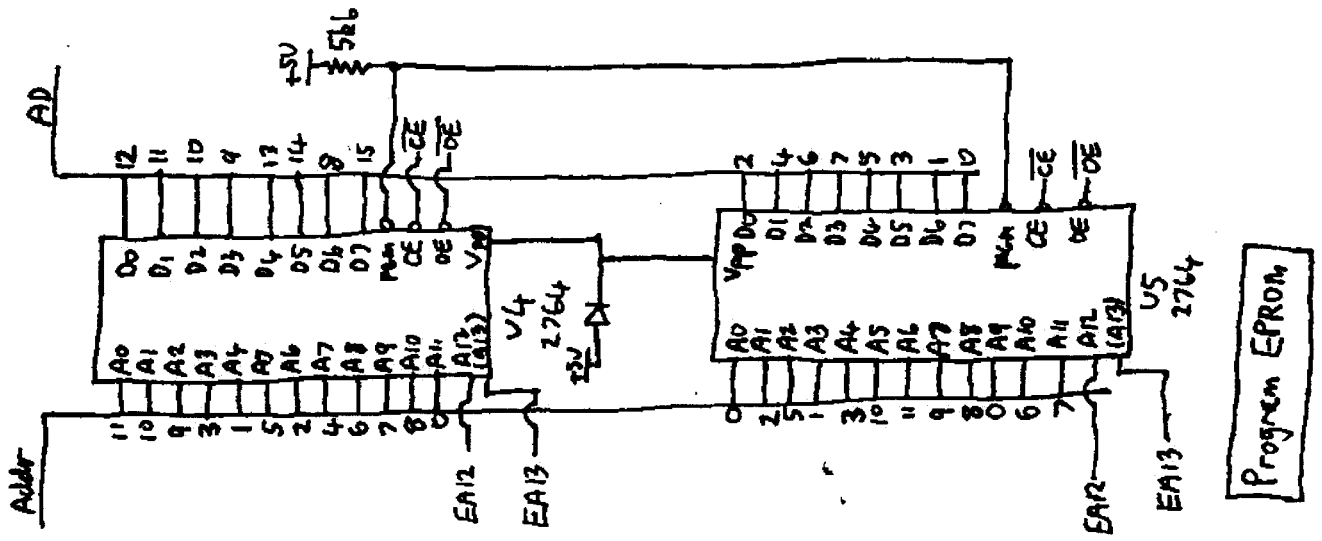


ROM slot
(Typical of 3)

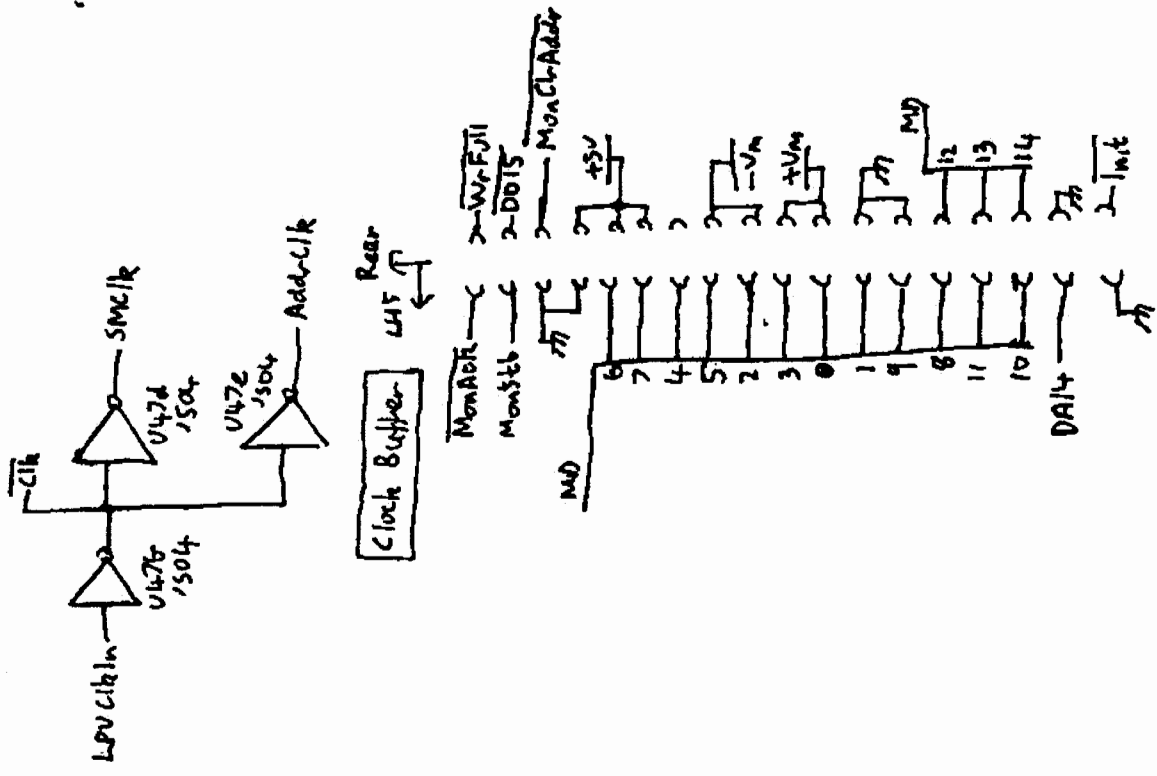
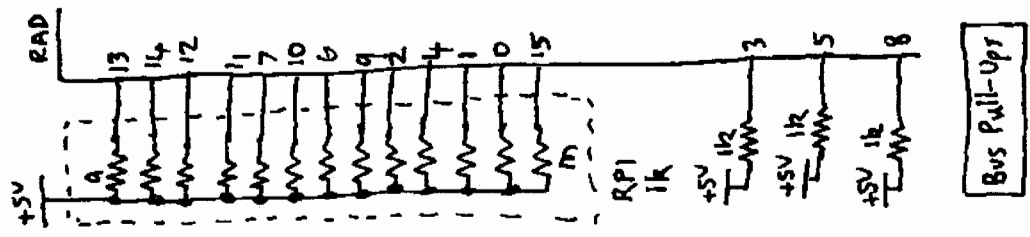
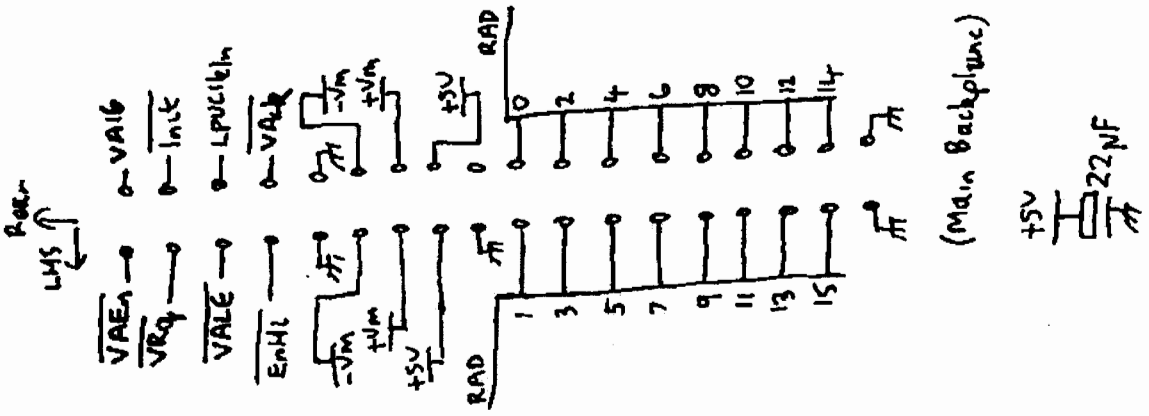


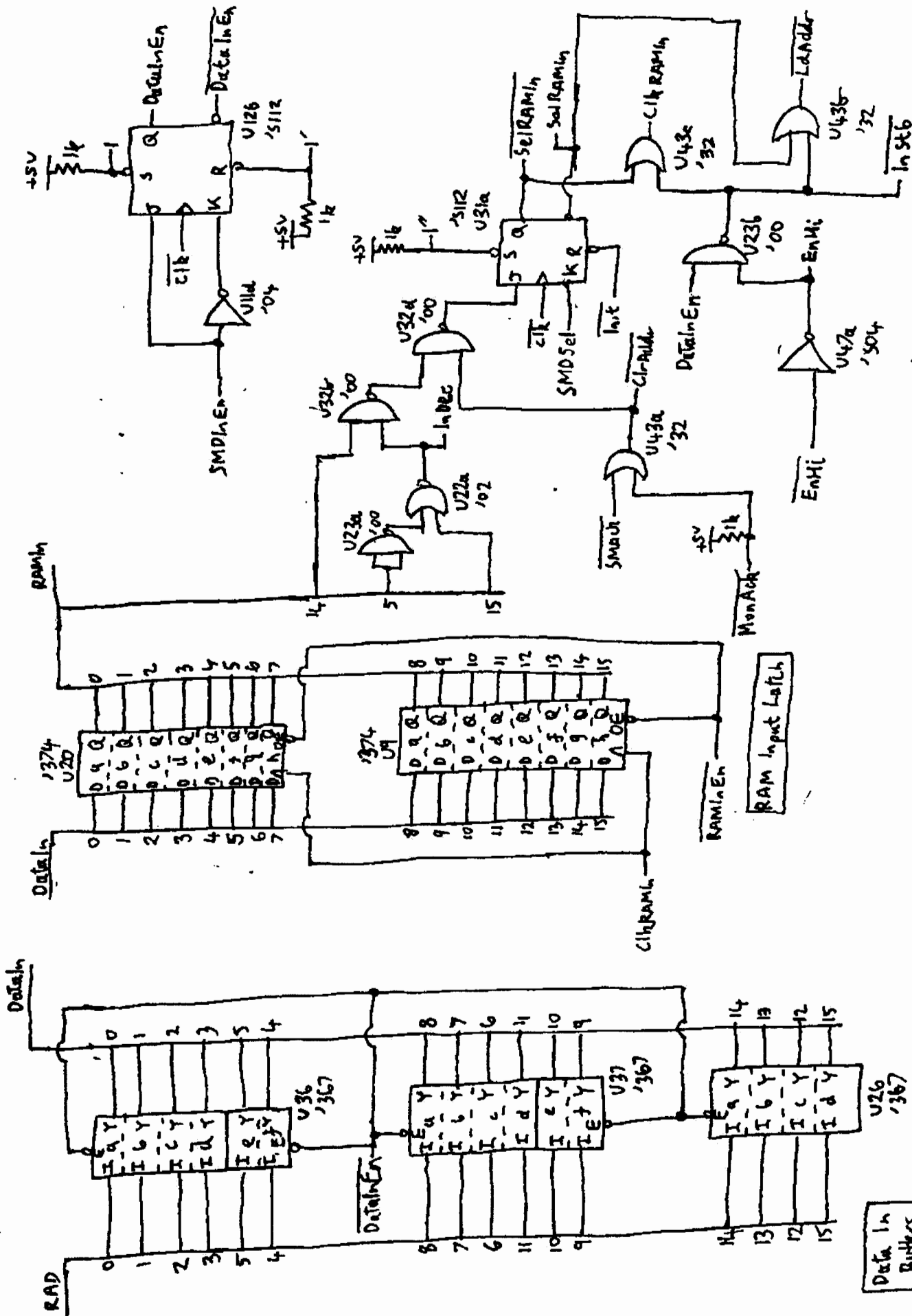
ROM slot
(Typical of 2)

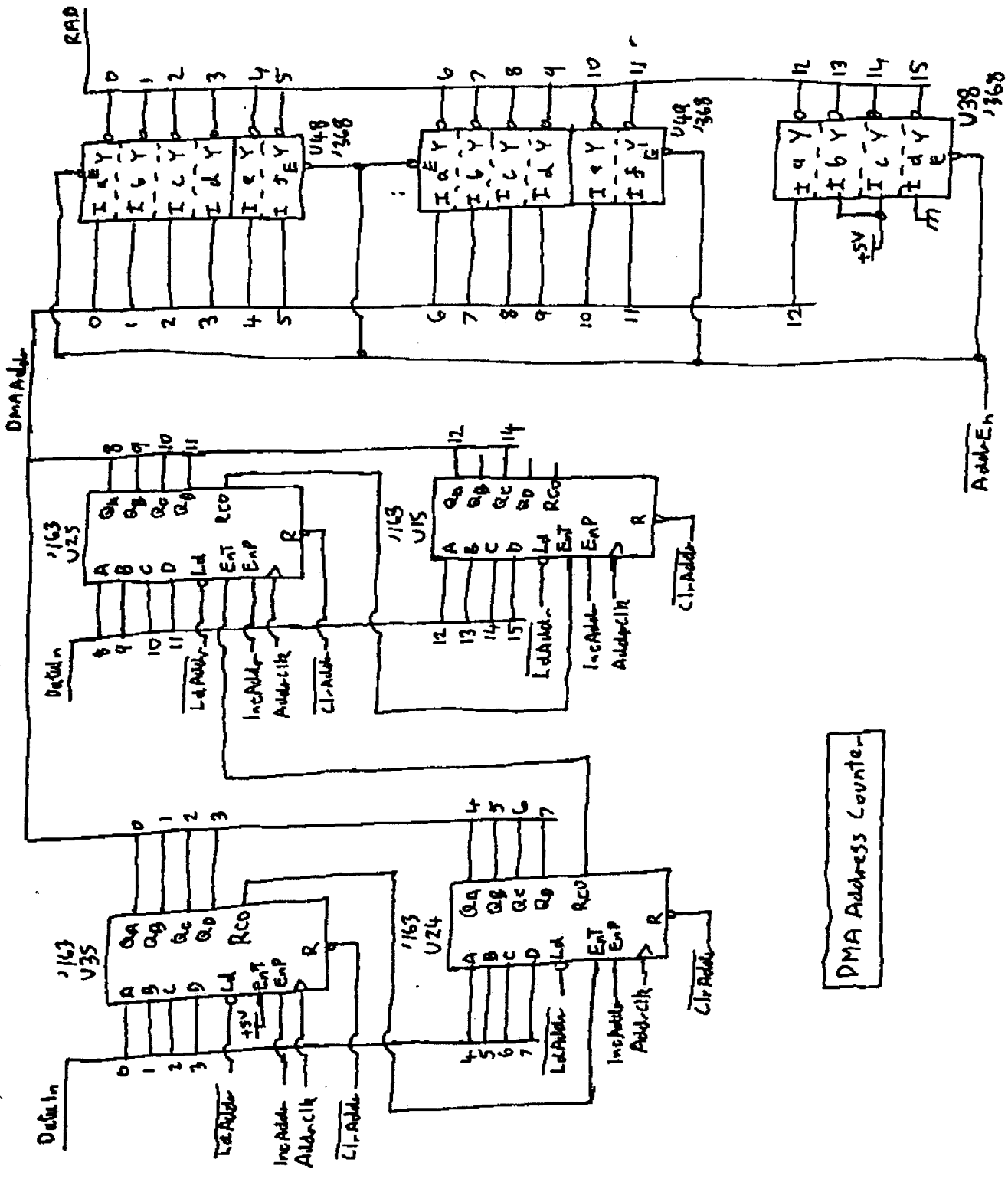




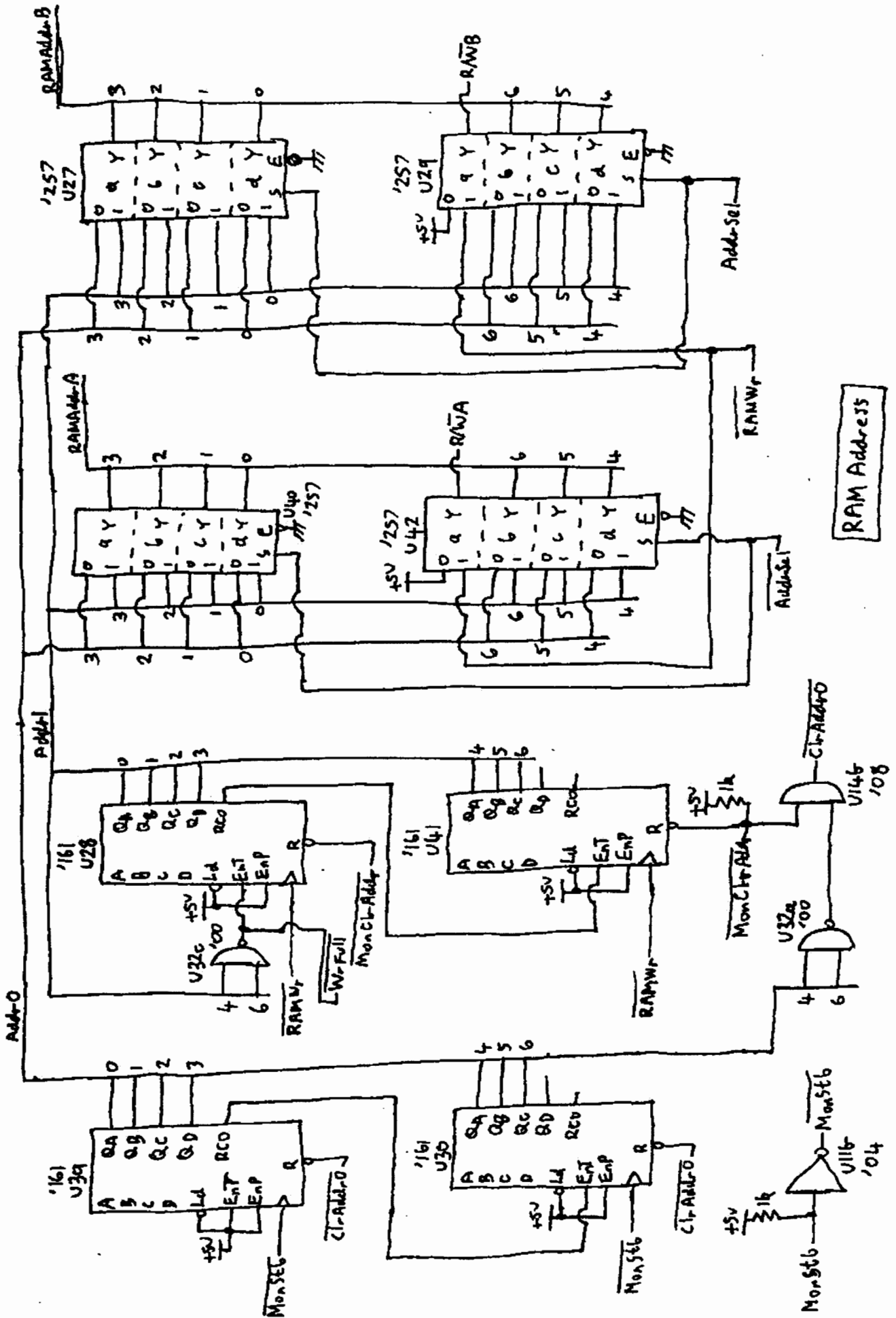
Structured Software Systems Mass Storage ROM (for HP4865)

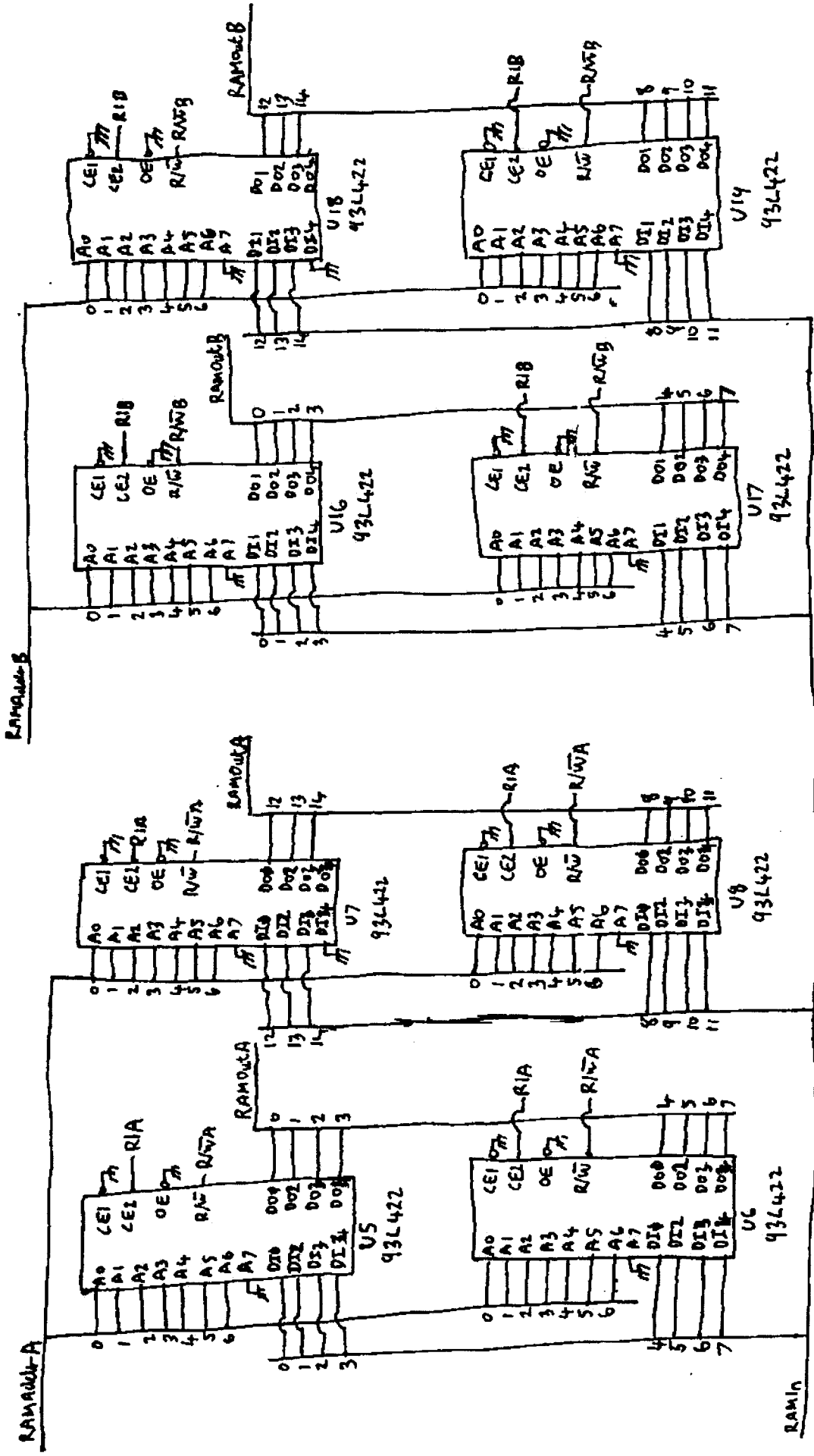






DMA Address Counter



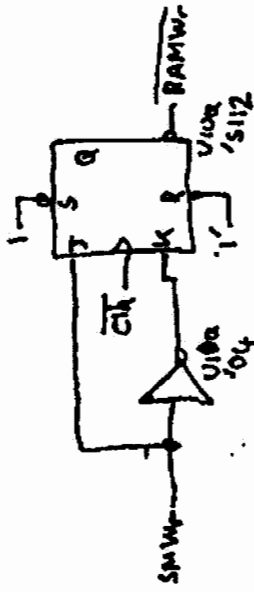
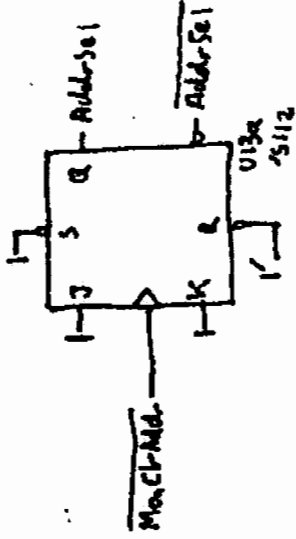
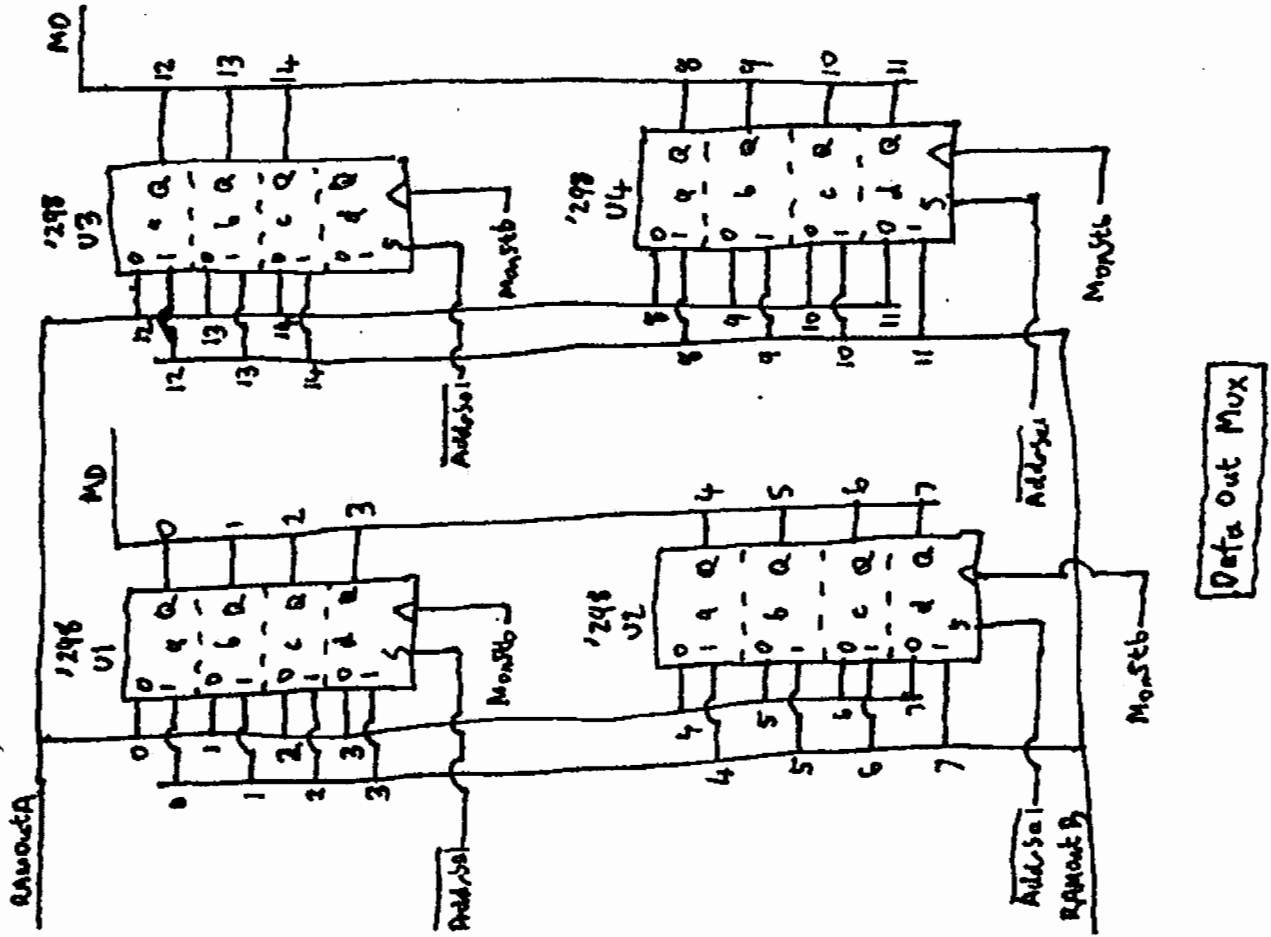


+5V
1k
RIA

+5V
1k
RIB

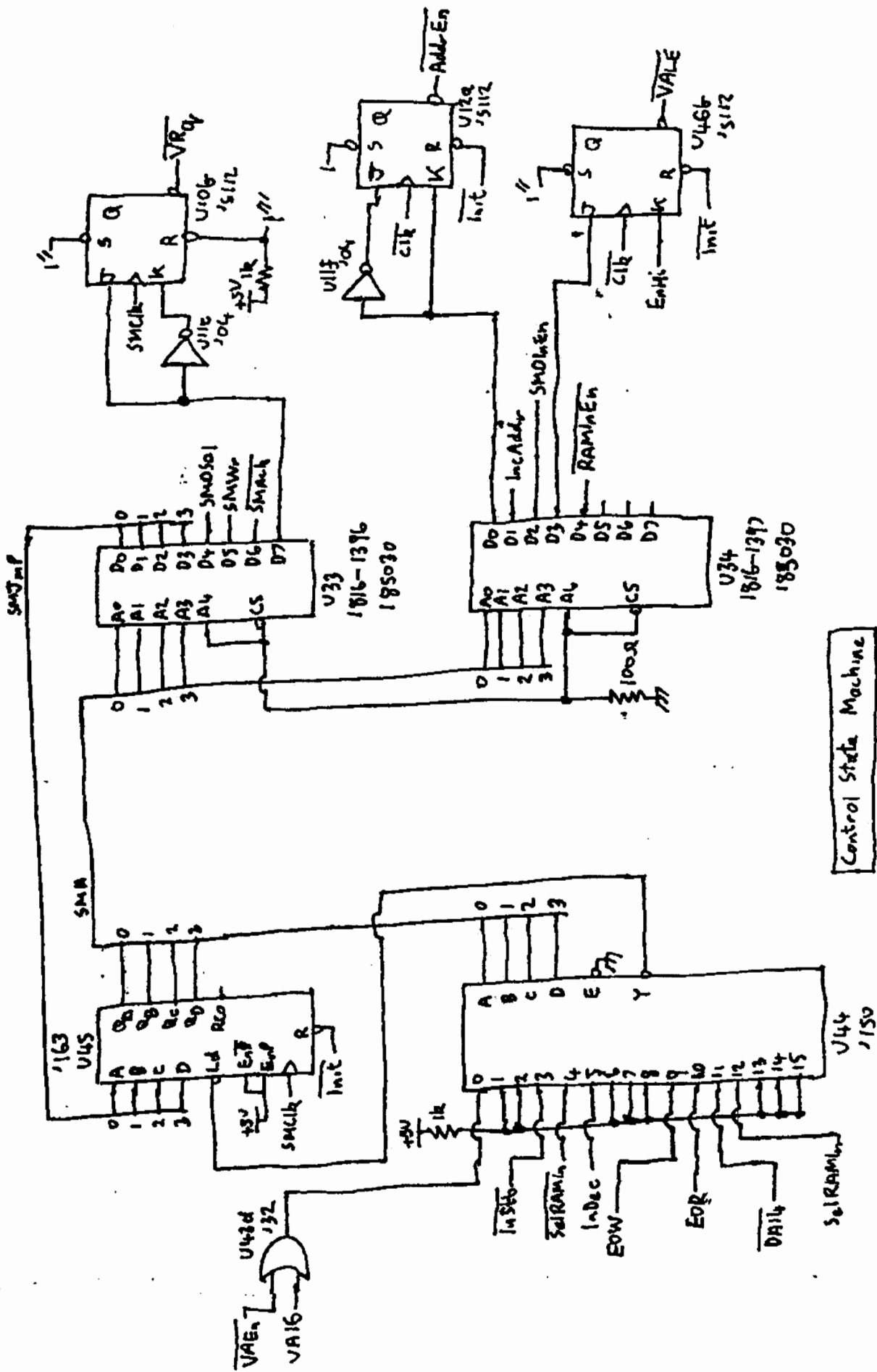
Buffer RAM

HP9845 Video Interface PCB sheet ⑤ 98770-66534 (Y)

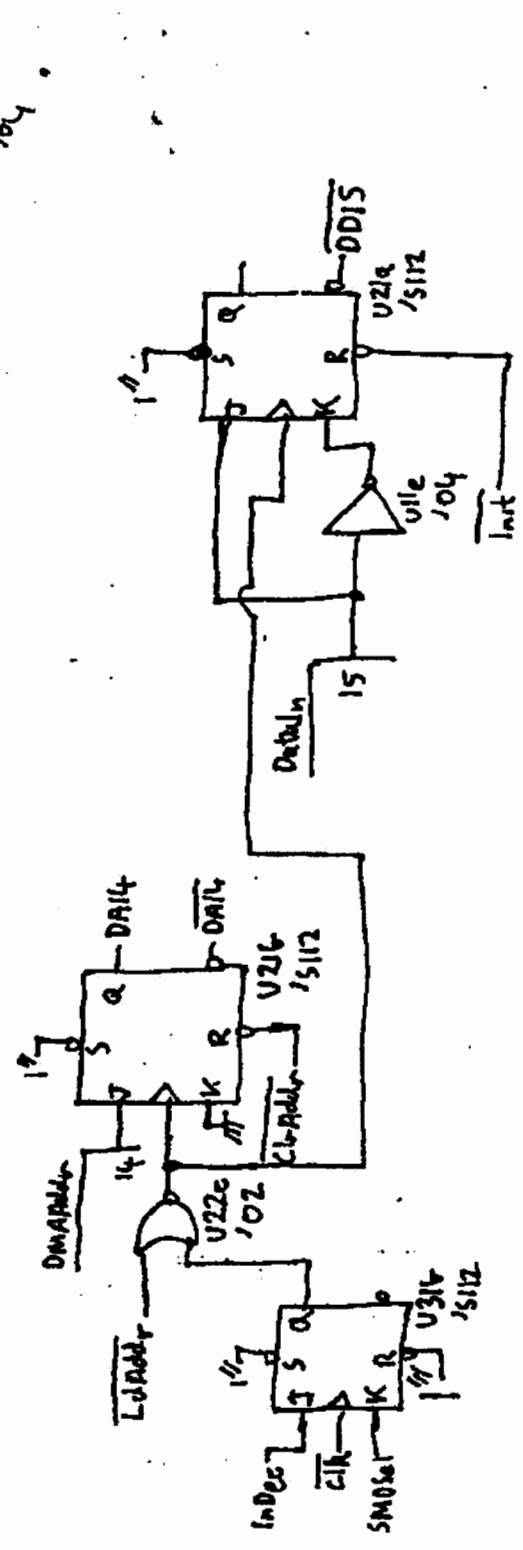
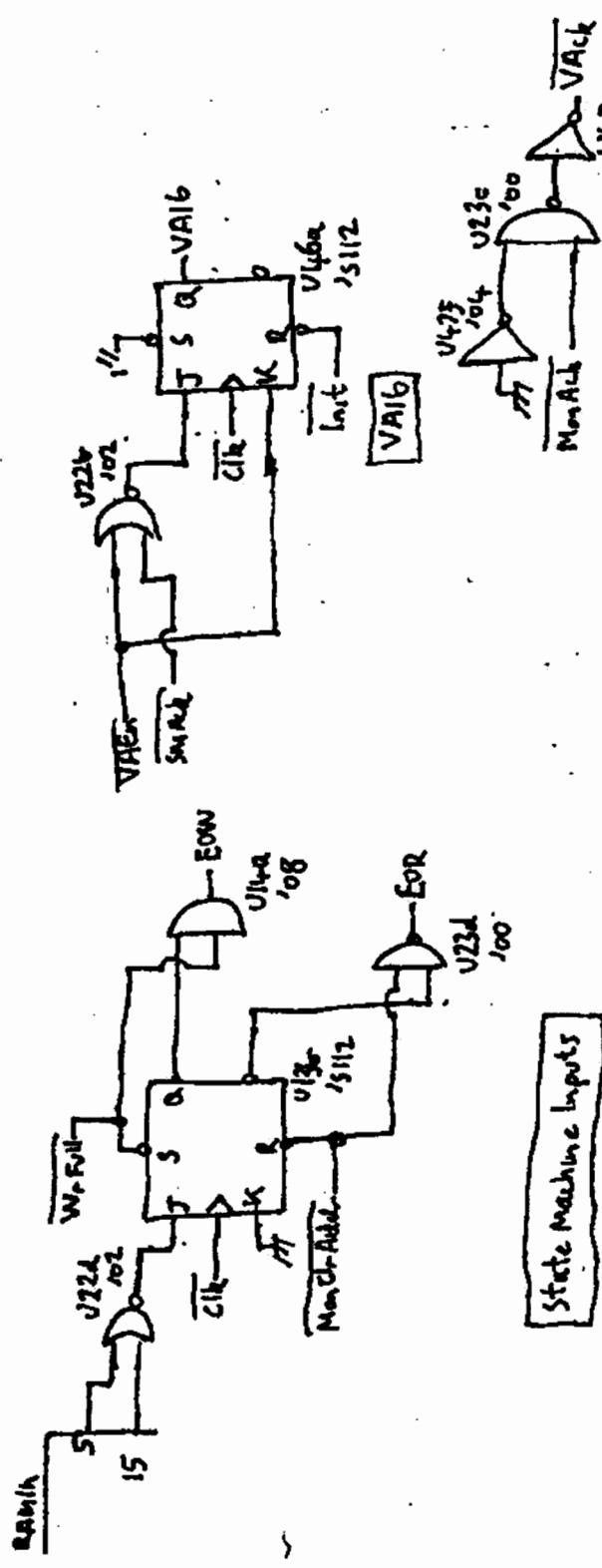


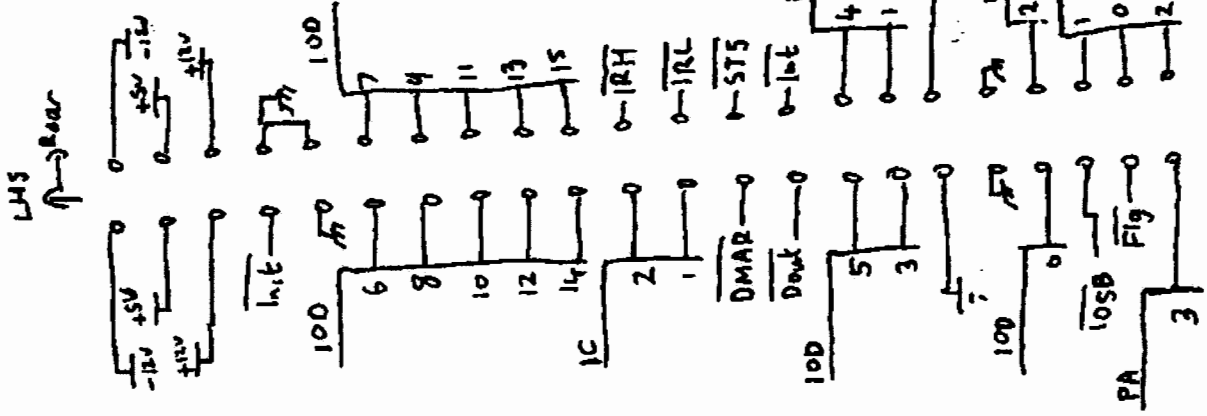
RAM Control

Data Out Mux

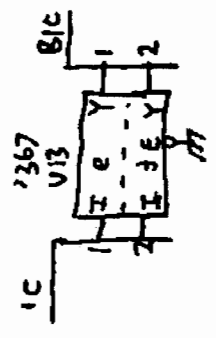
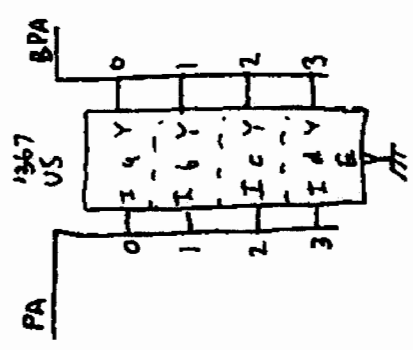
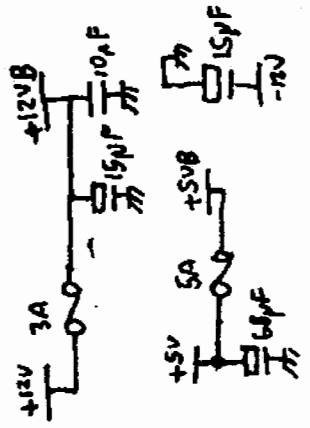


Control State Machine

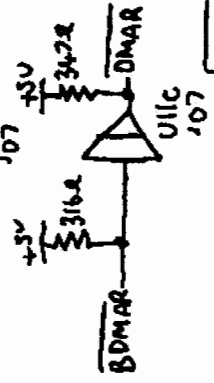
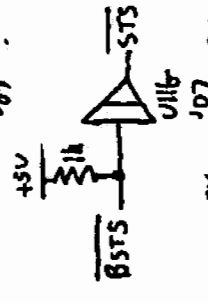
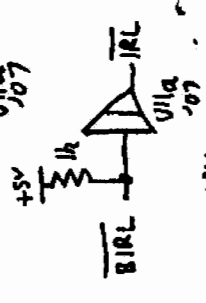
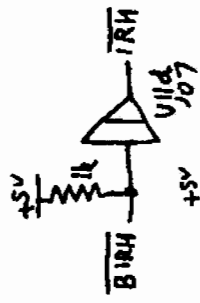
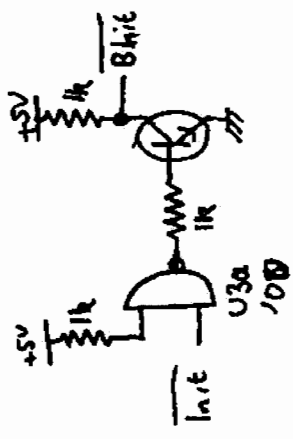




(Main Backplane)

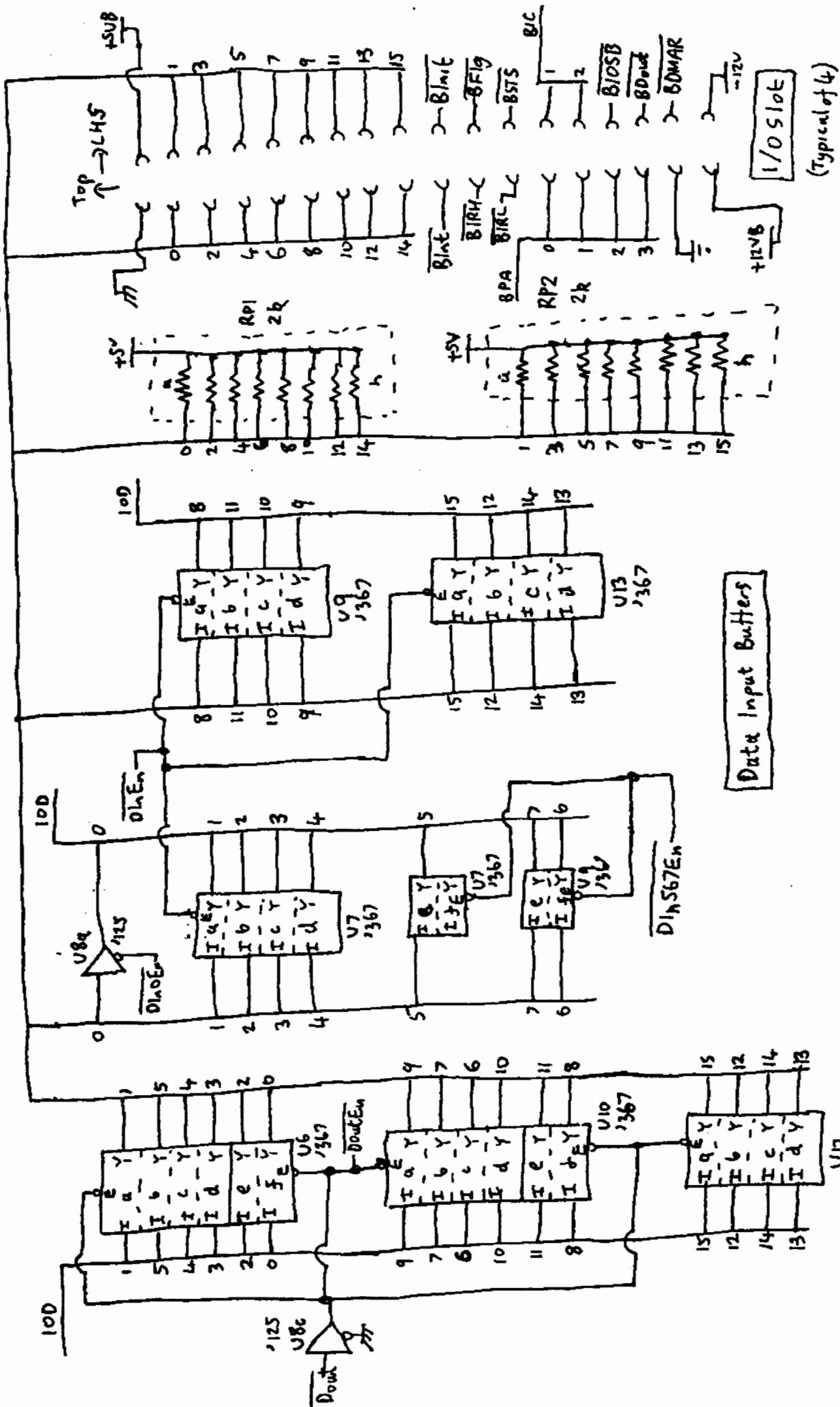


Control Output Buffers



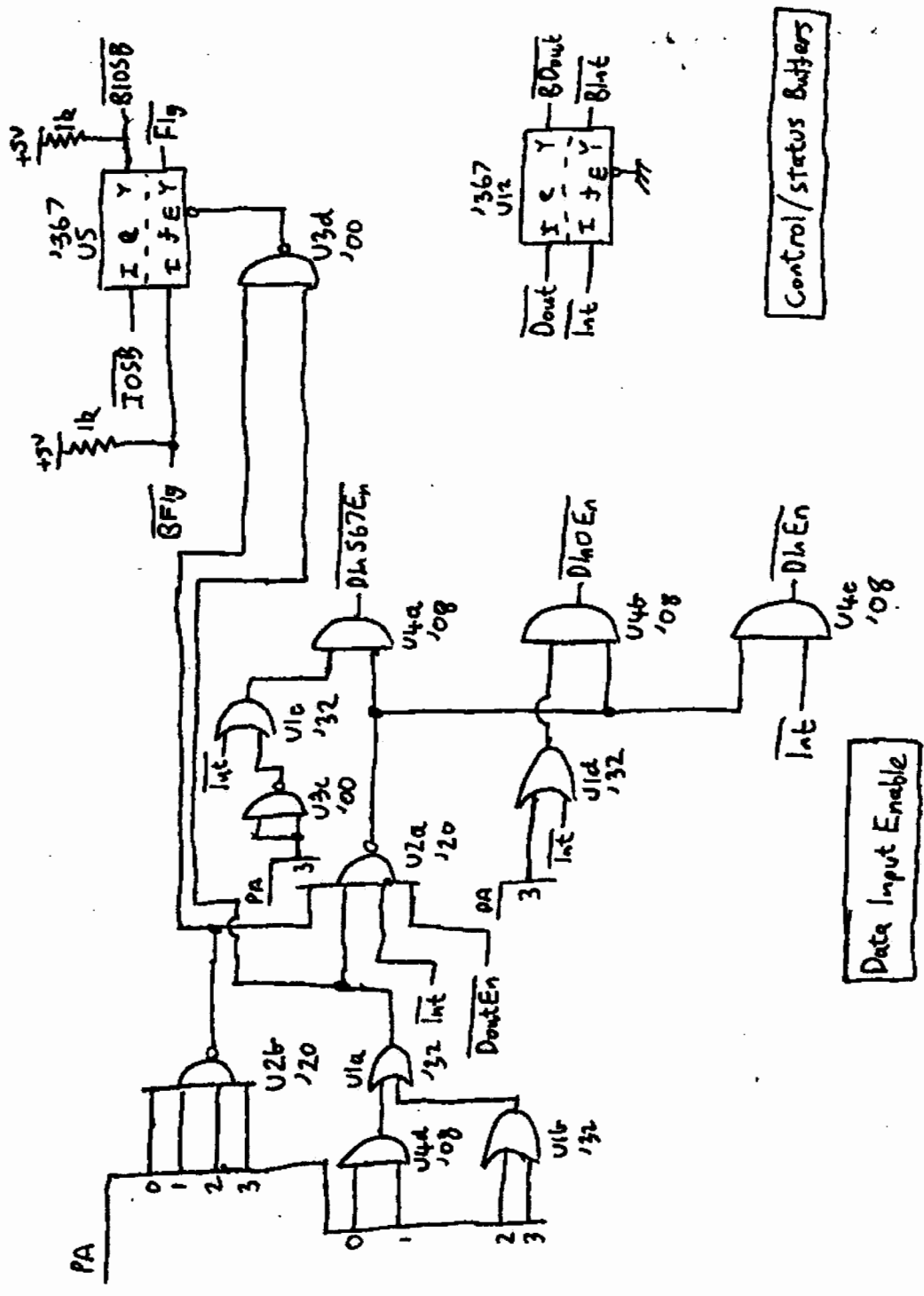
Status Buffers

810D

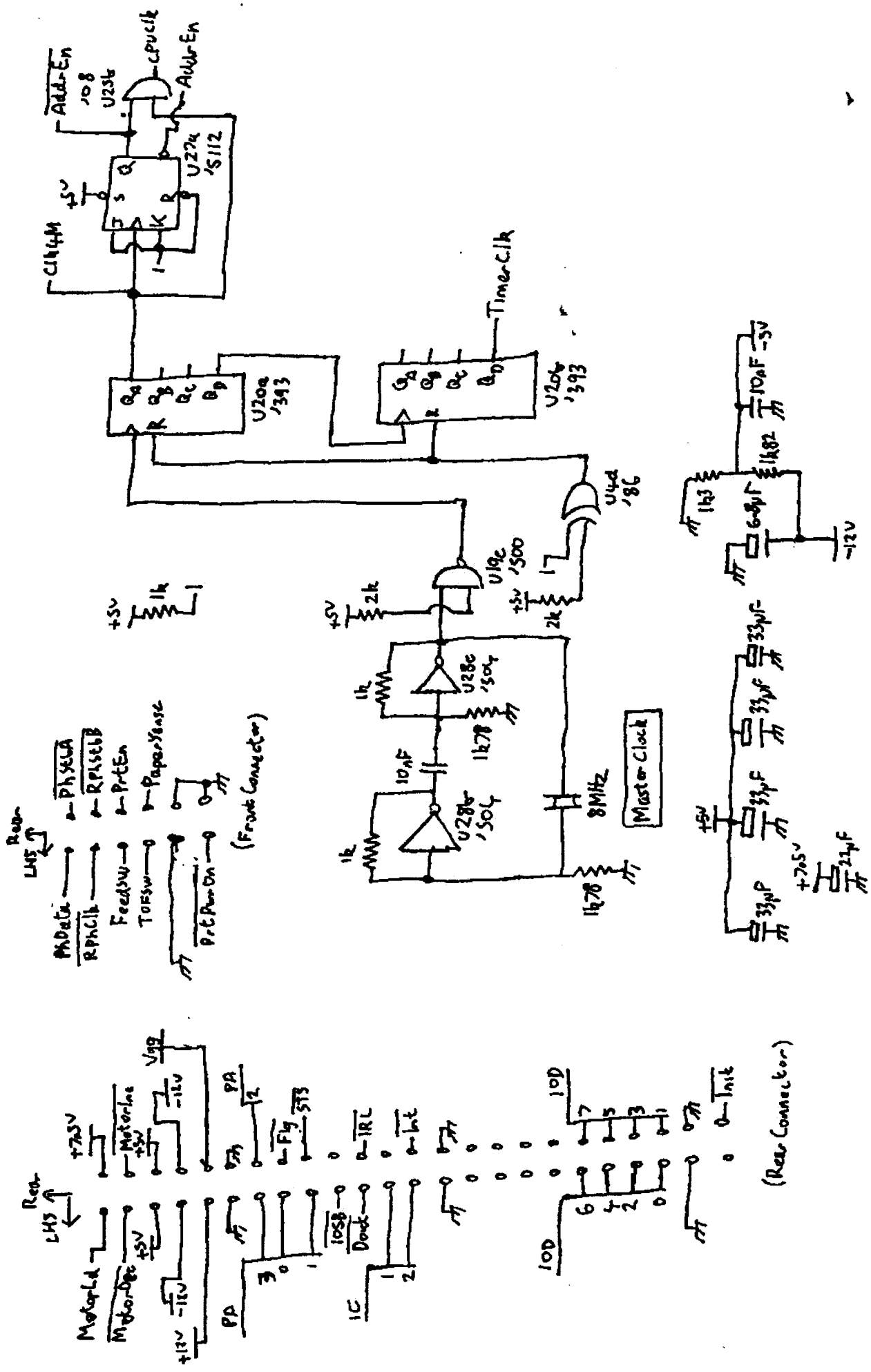


Data Input Buffers

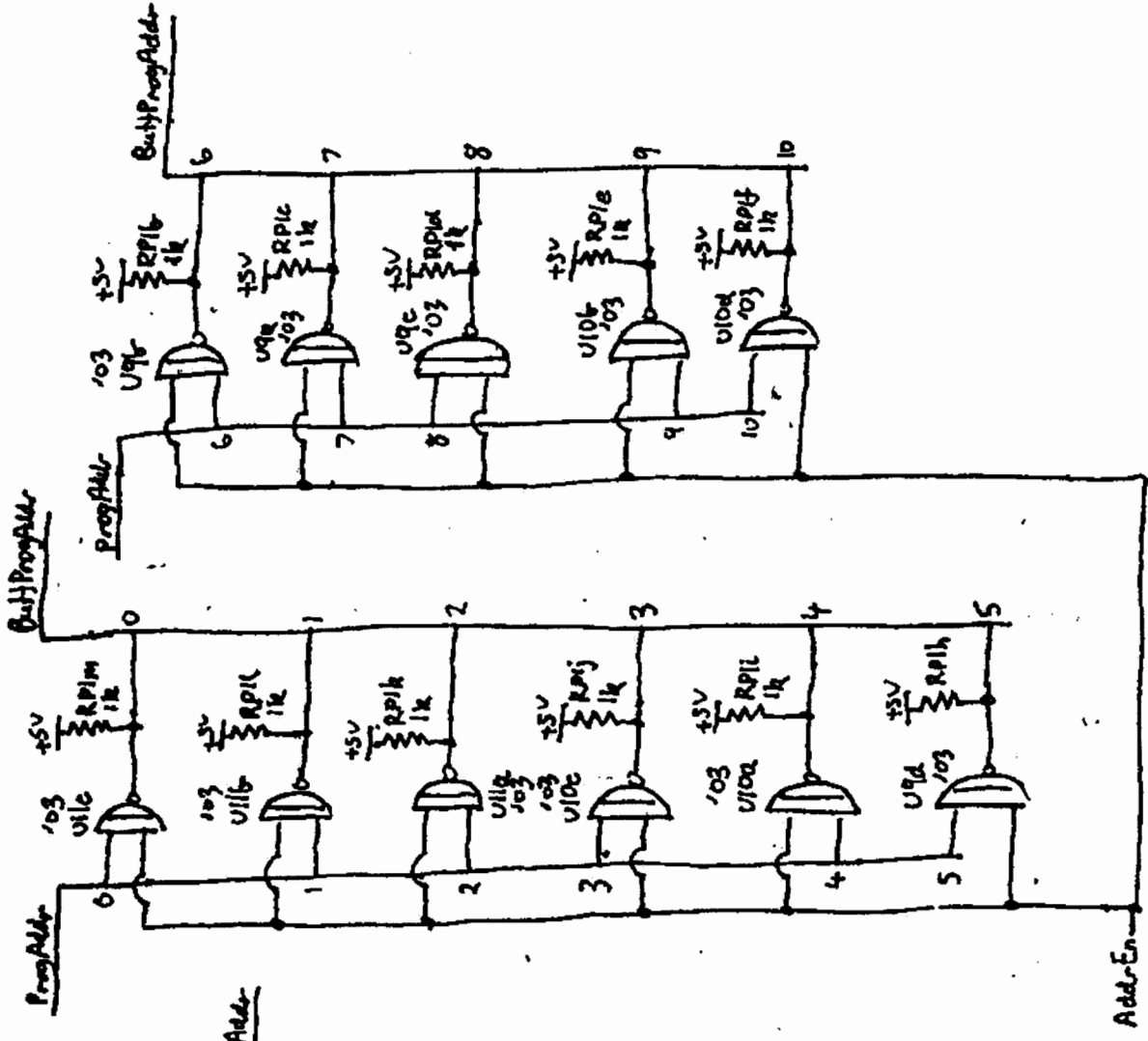
Data Output Buffers



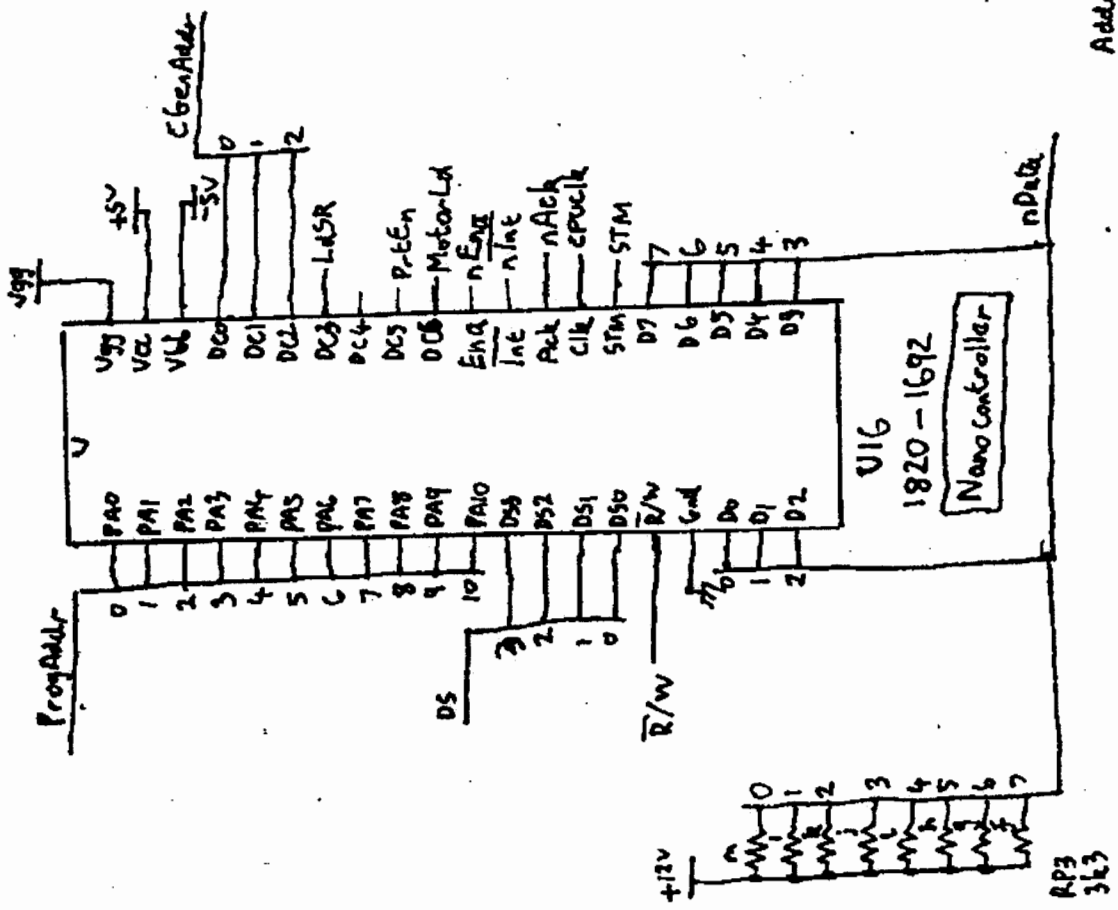
HP9845 I/O Backplane Sheet 3 09845-66502 (Bk/R)



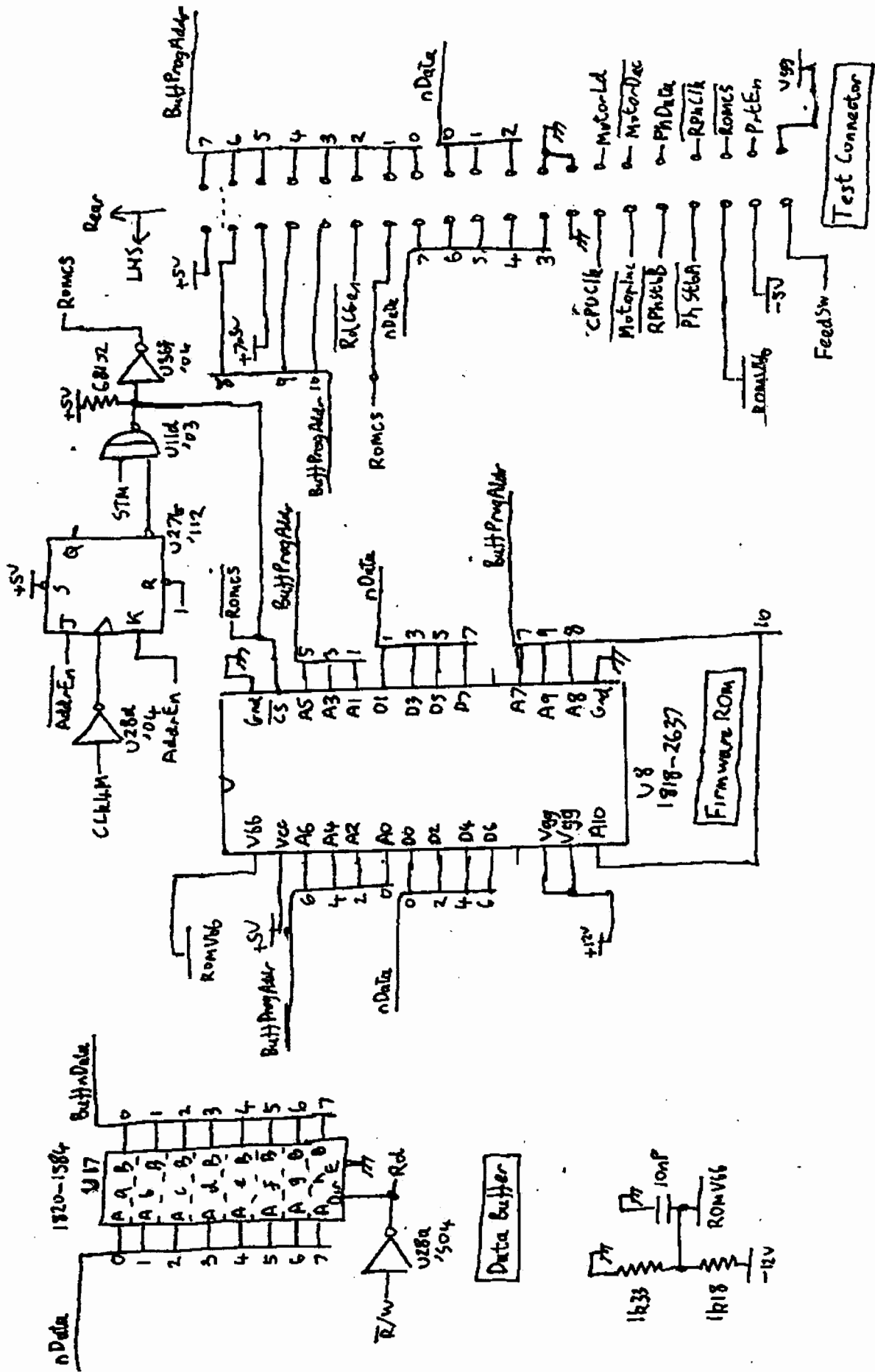
HP 9845 Printer Interface PCB sheet ① 09845-66551 (6m/8r)



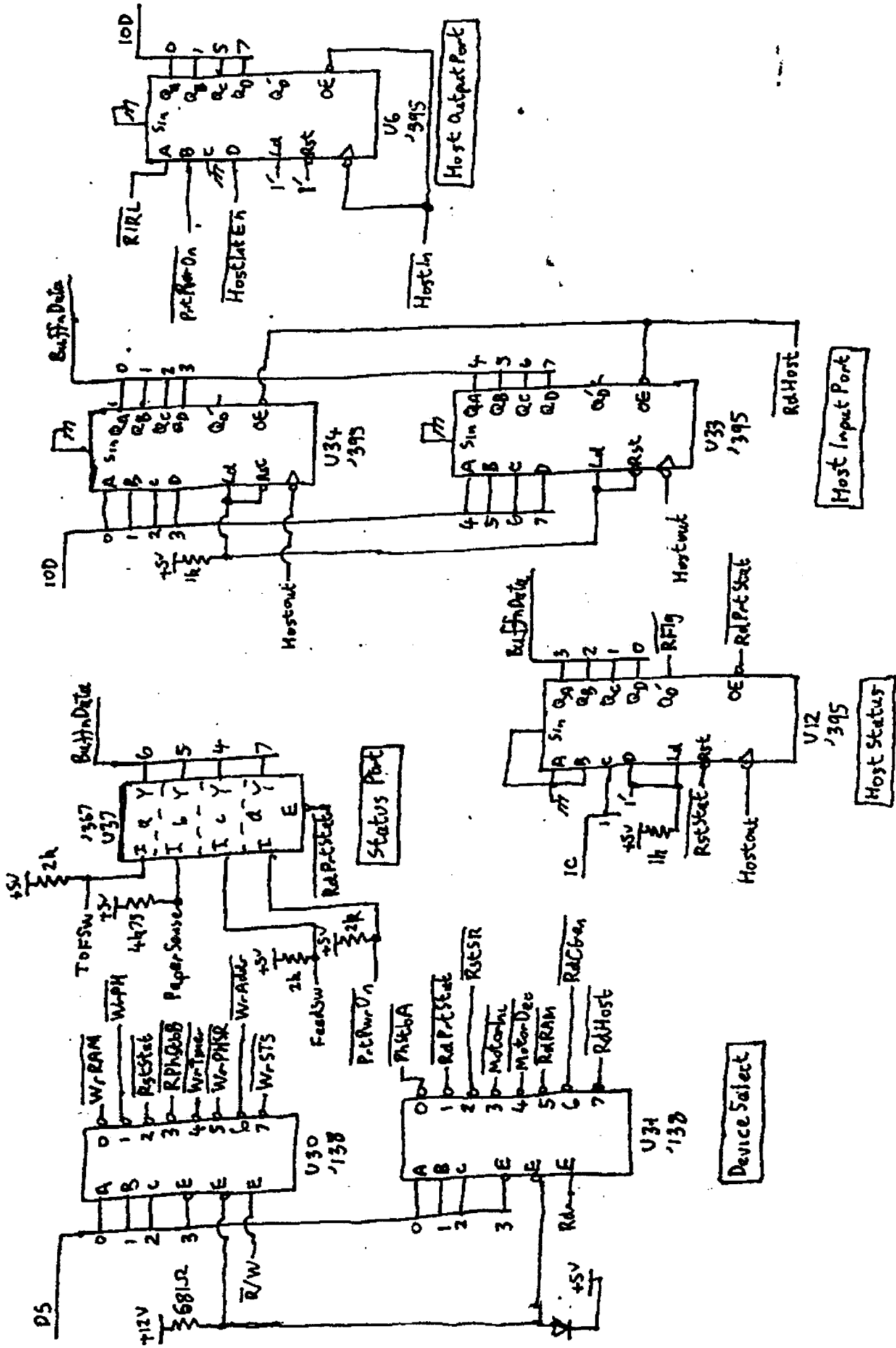
Address Buffers



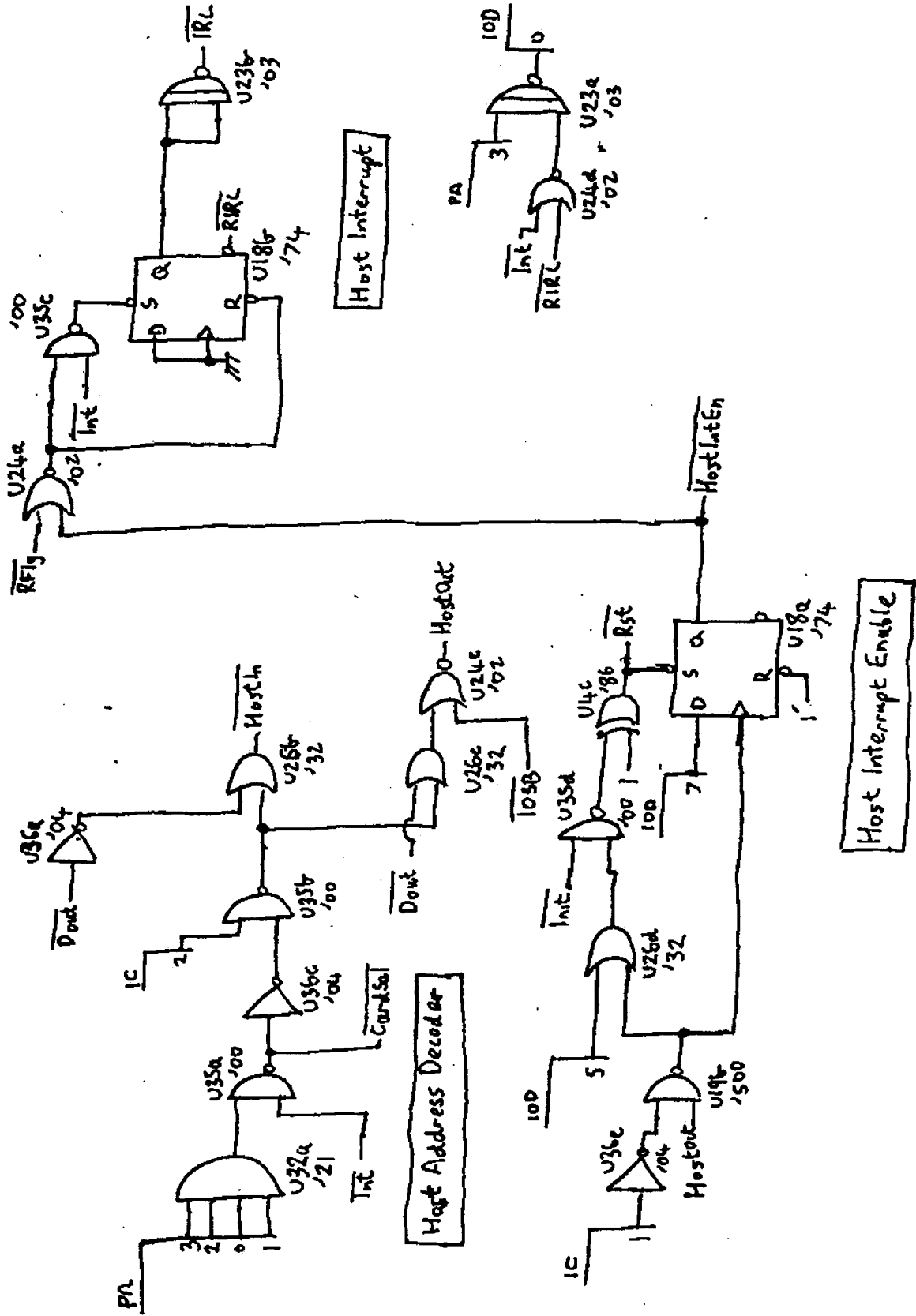
HP9845 Printer Interface PCB Sheet 2 (09845-6651 (Gn/B))

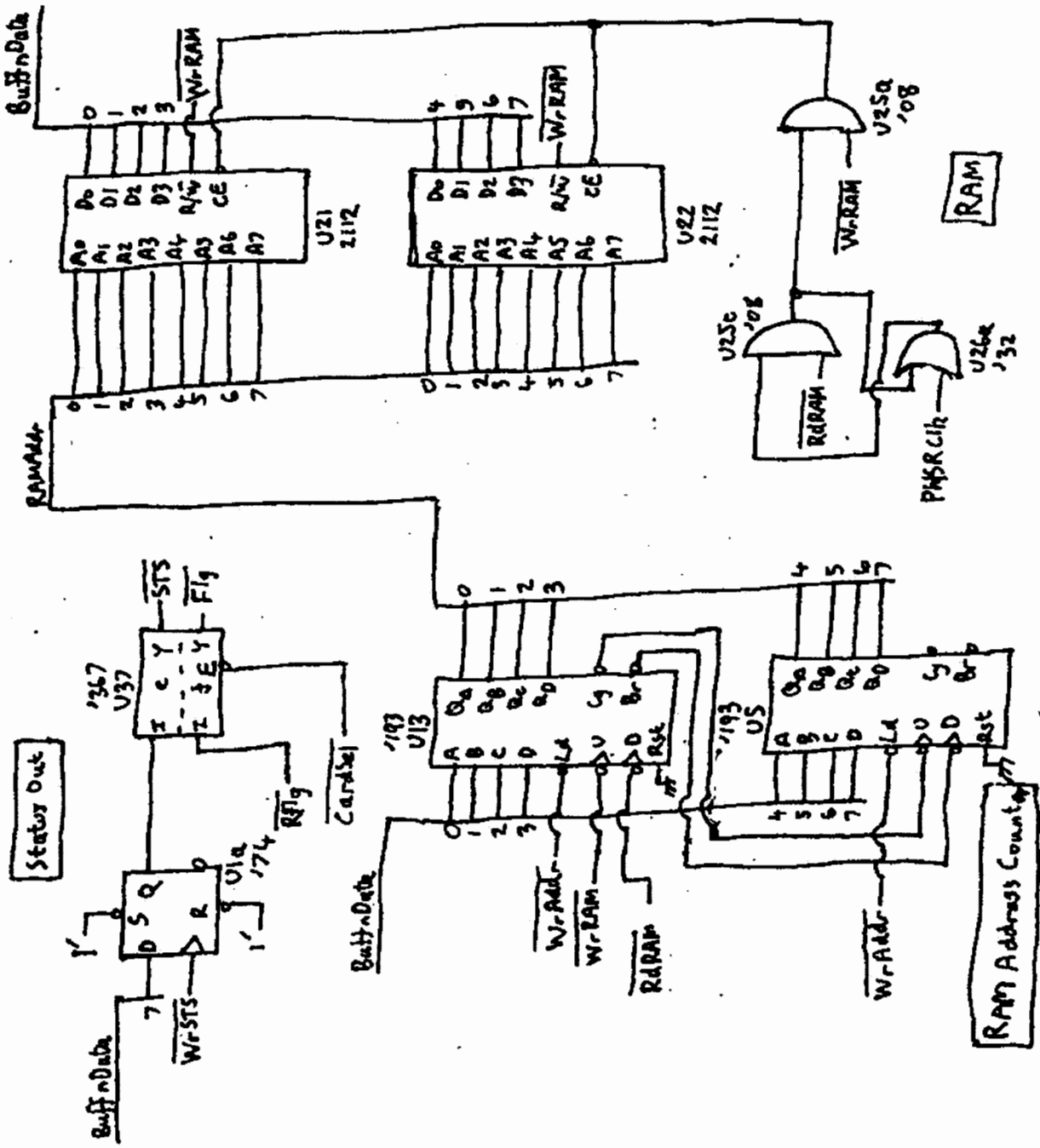


HP 9845 Printer Interface PCB Sheet (3) 09845-6655 (Gn/B)

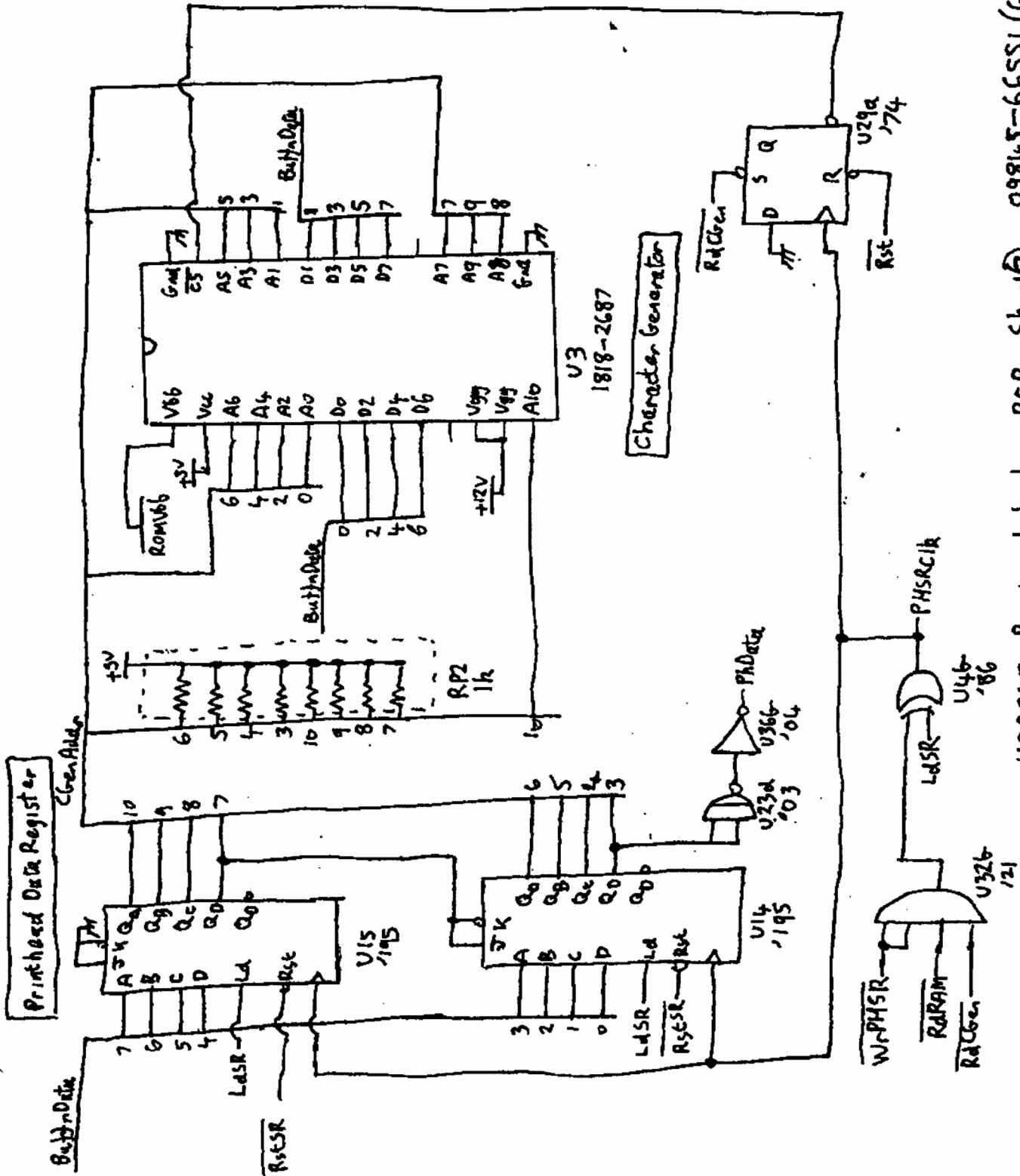


HP9845 Printer Interface PCB Sheet 4 09845-66551 (6m/8r)

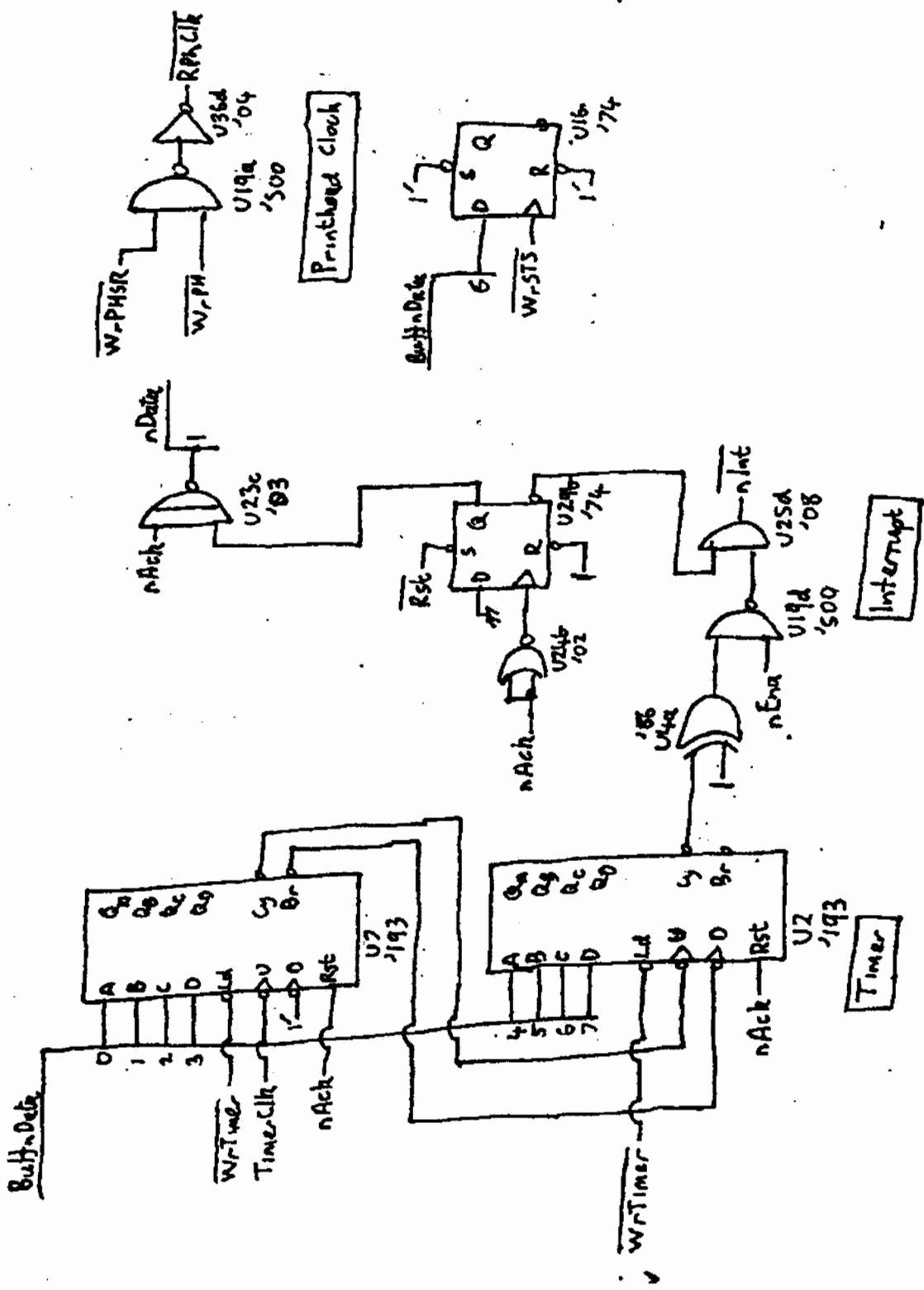




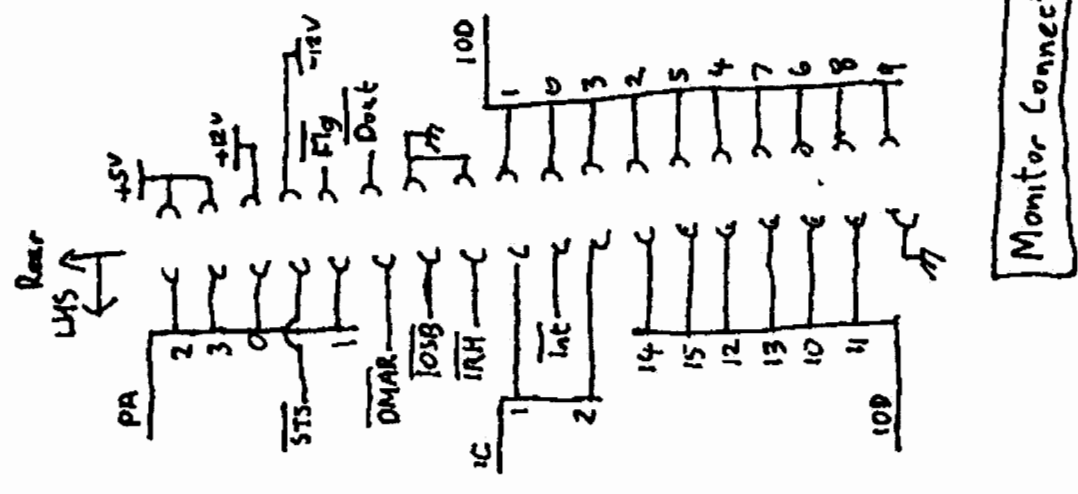
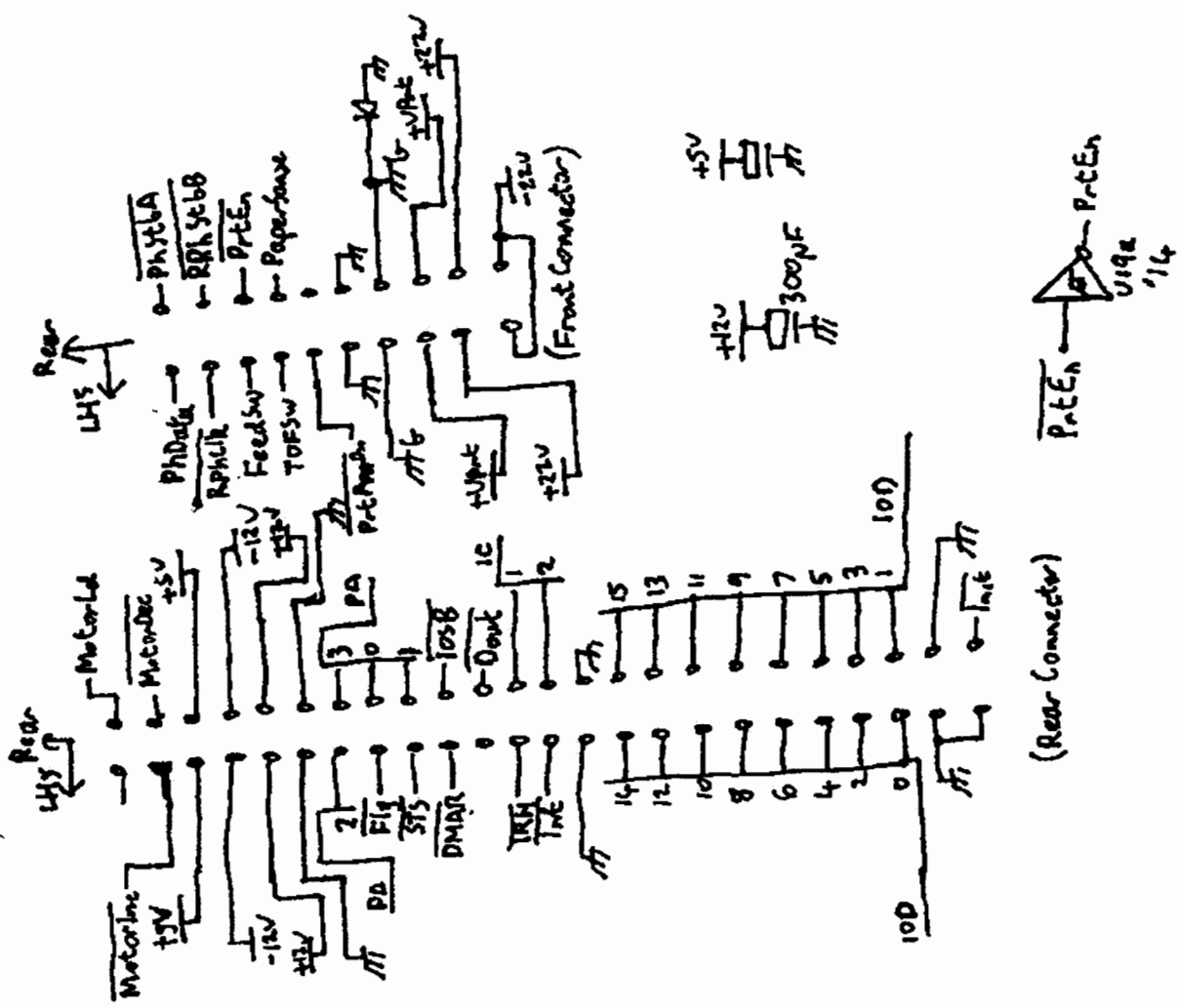
HP9845 Printer Interface PCB Sheet 6 09845-66551 (Gm/Br)

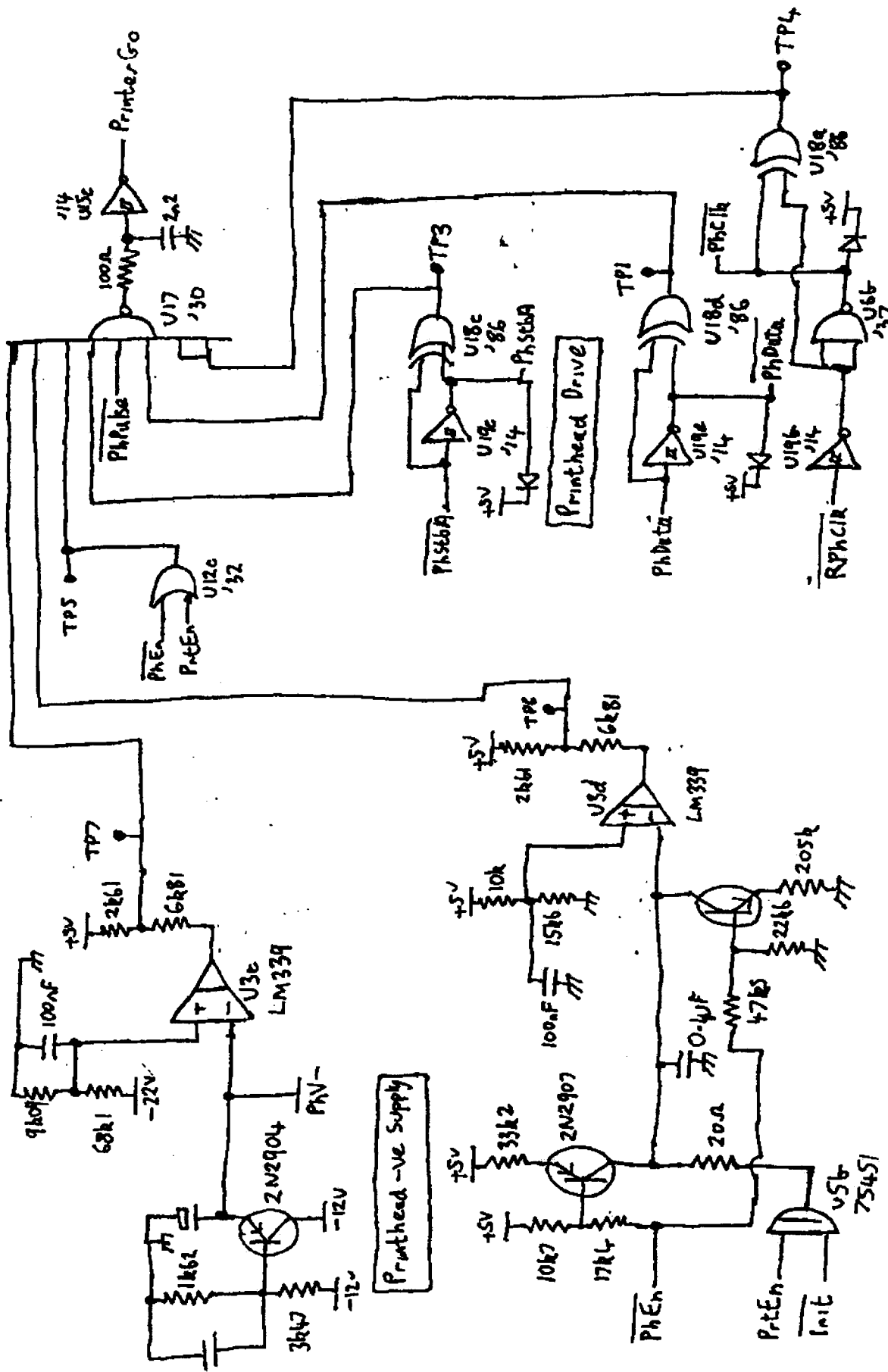


HP 9845 Printer Interface PCB Sheet 2 09845-66551 (Gen/Br)

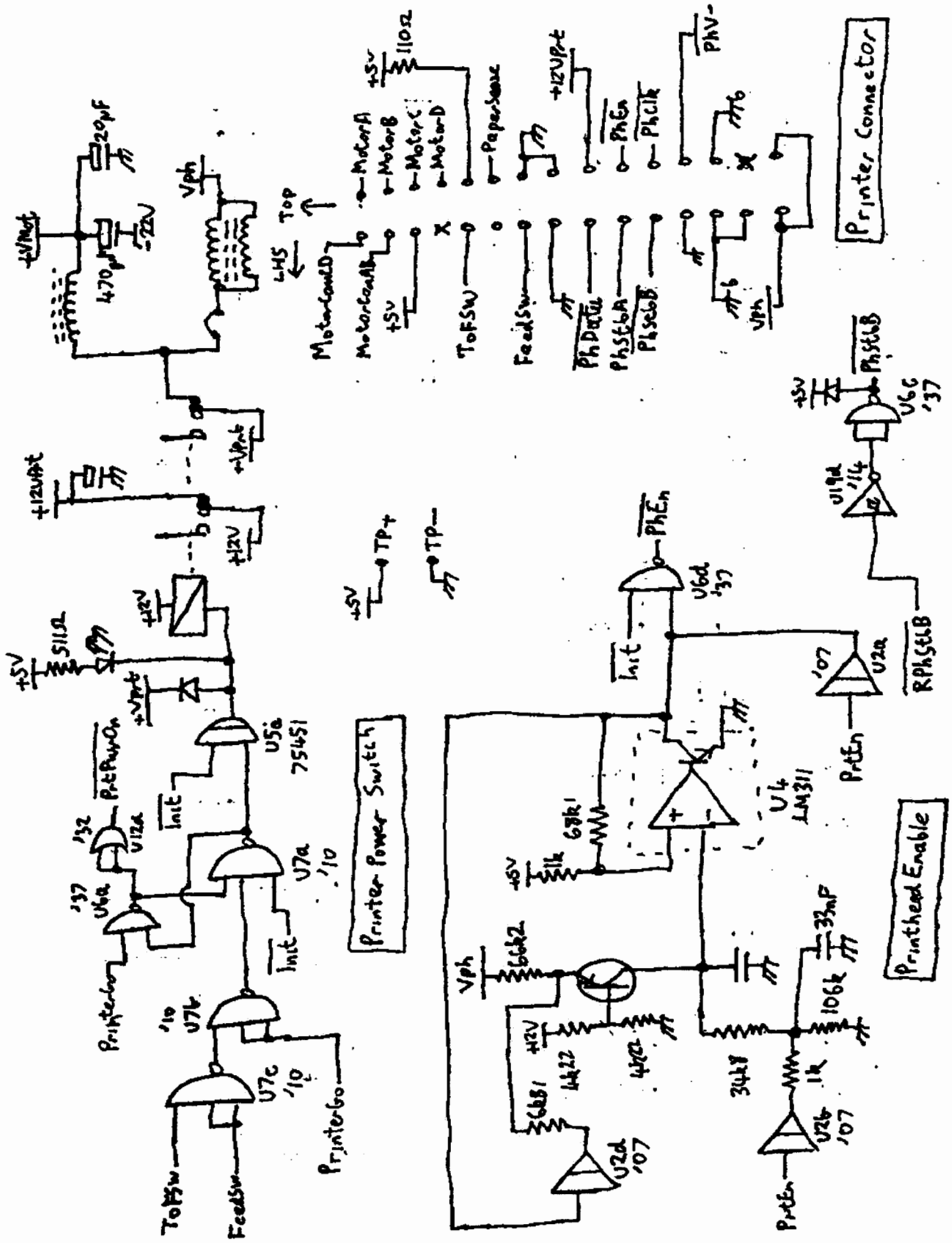


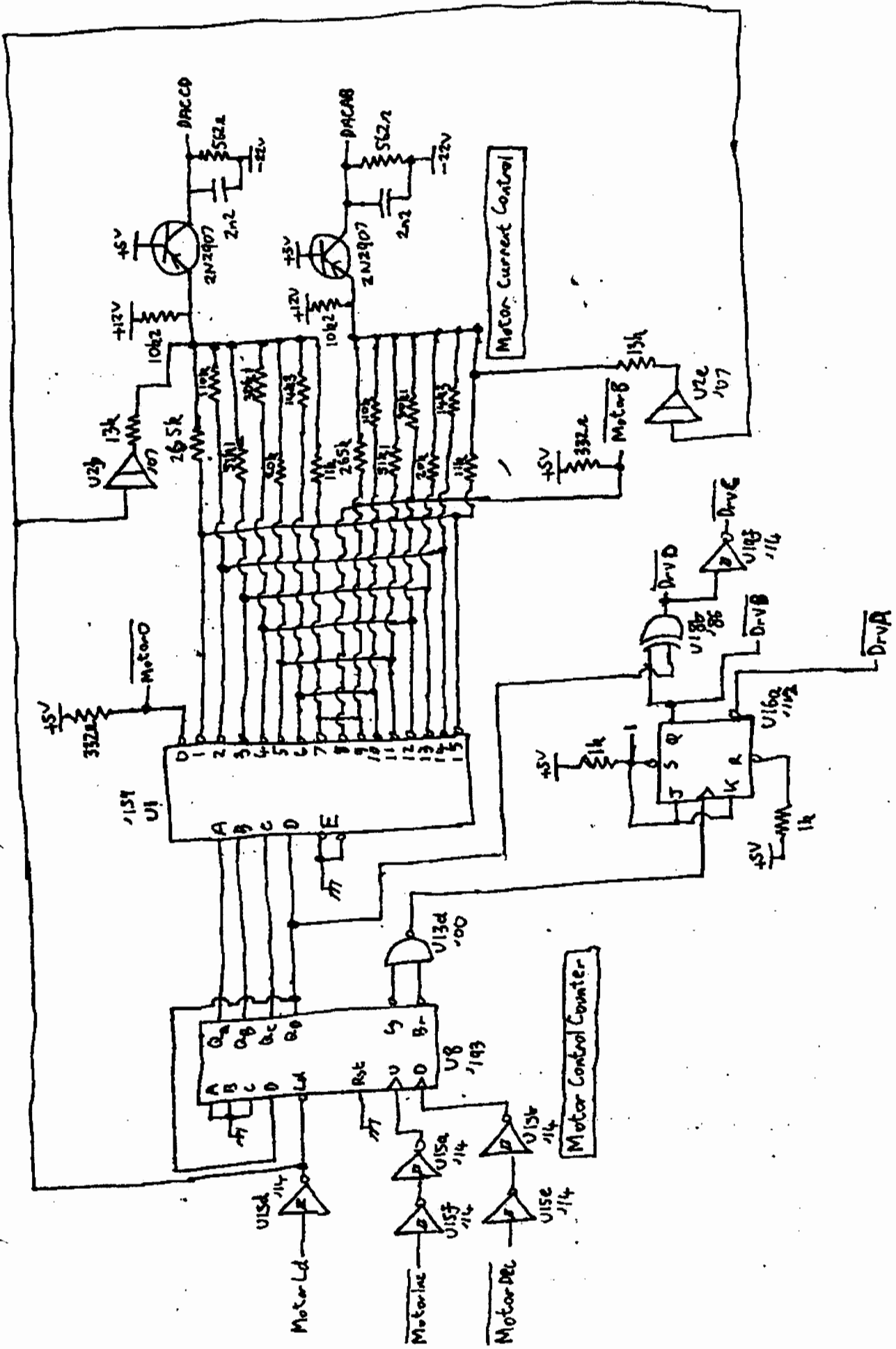
HP9845 Printer Interface PCB Sheet (8) 09845-66551 (6m/8r)

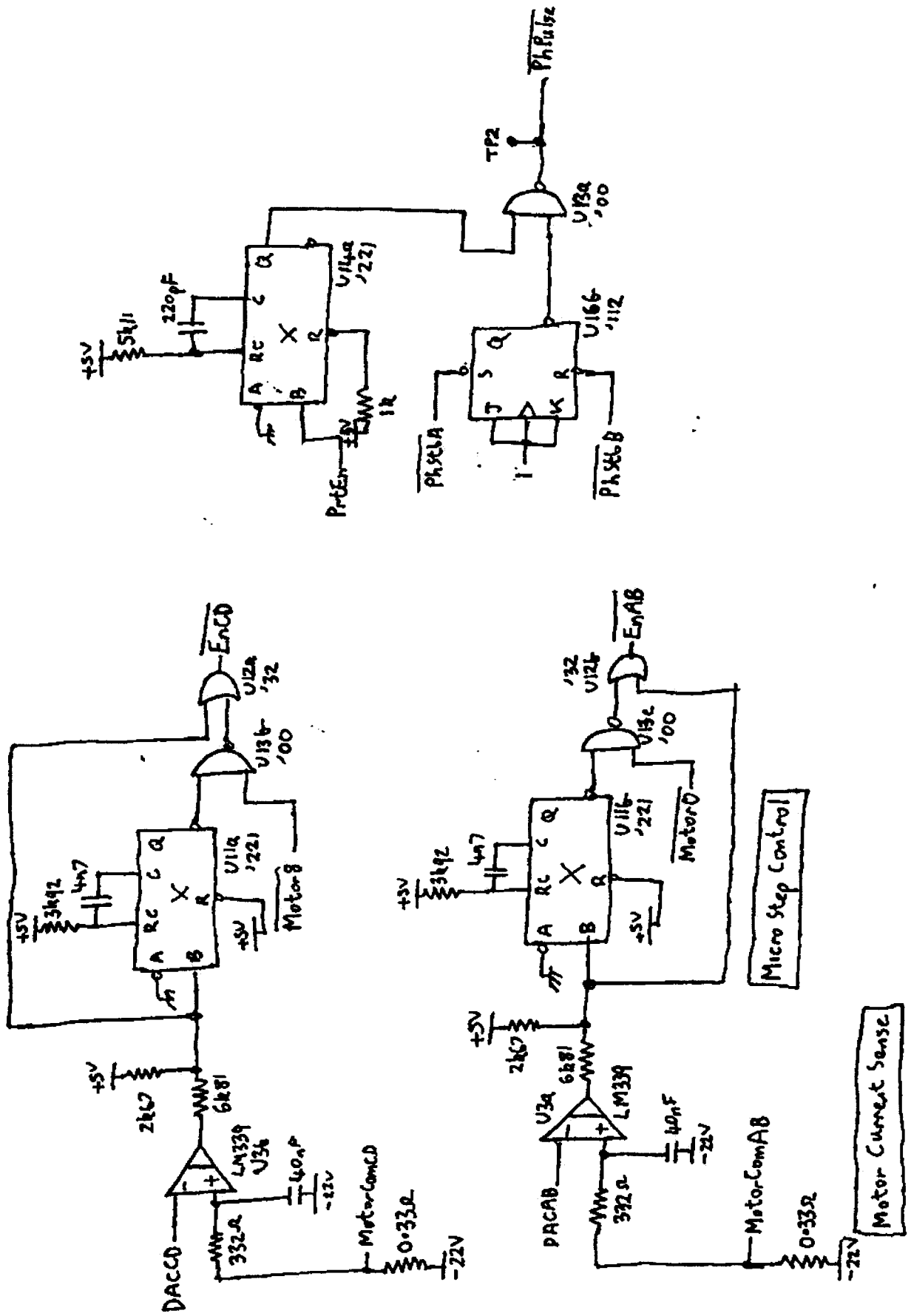


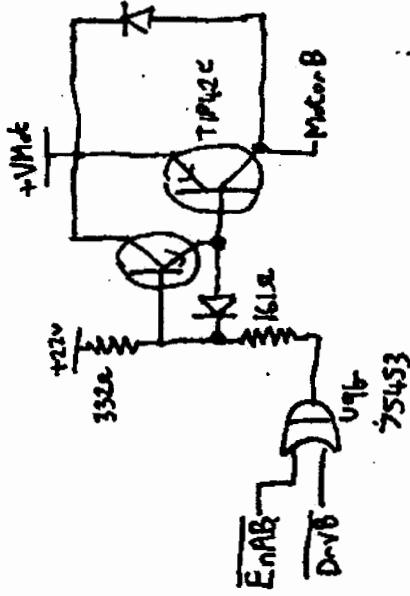
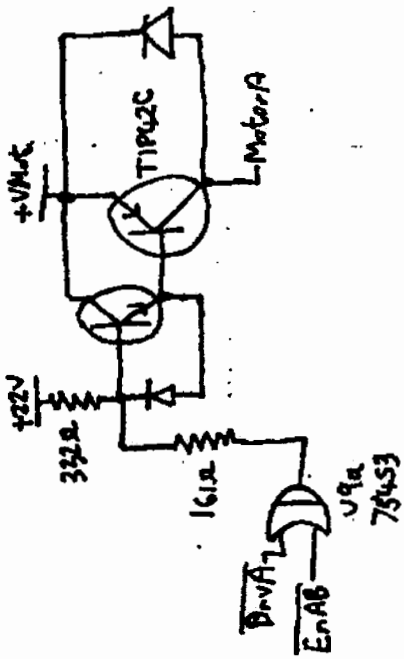
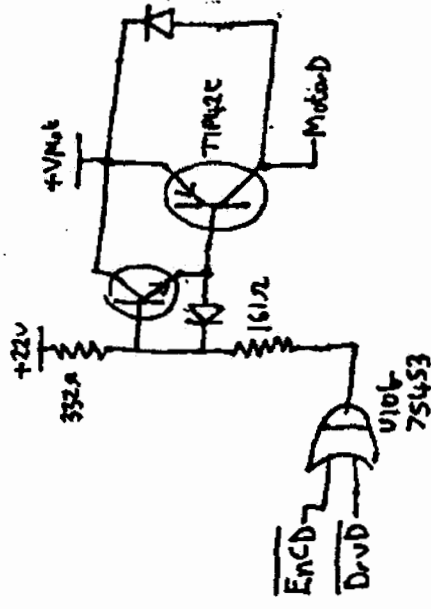
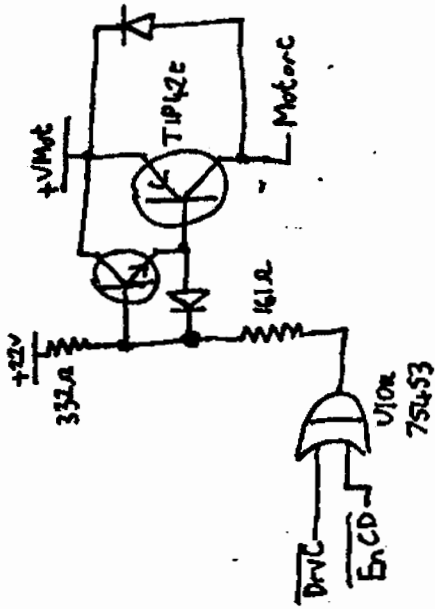


HP9845 Printer Driver PCB Sheet ② 09845-64555 (Gn)

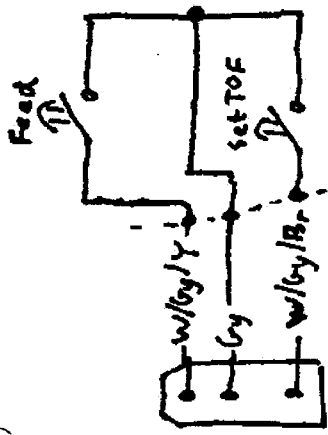








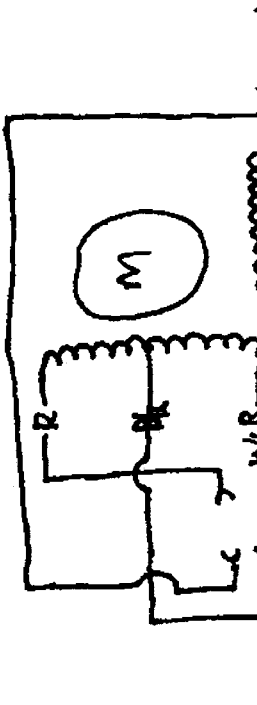
Motor Drivers



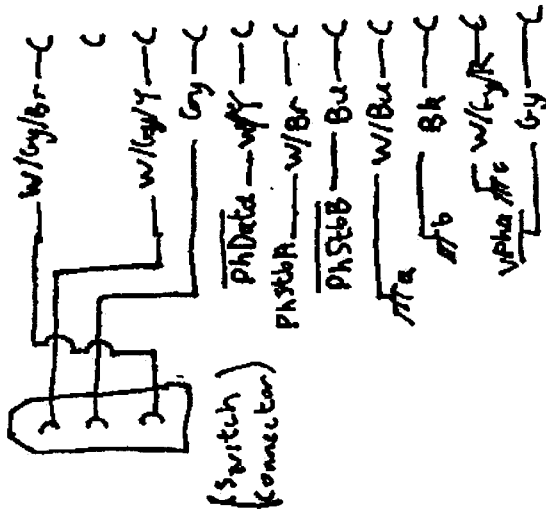
09845-66554 PCB

Printer Switch Assembly (On Keyboard)

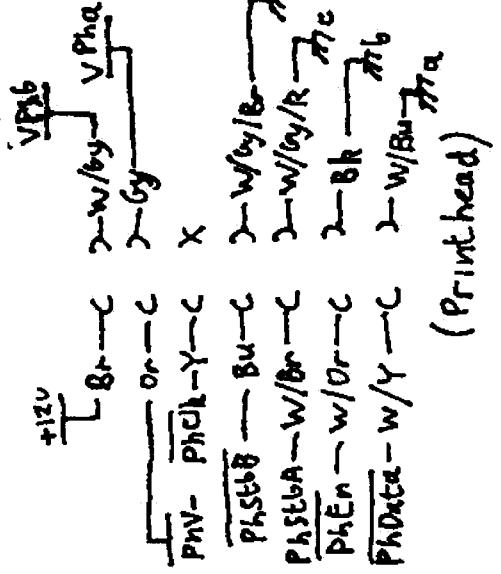
Paper Sensor



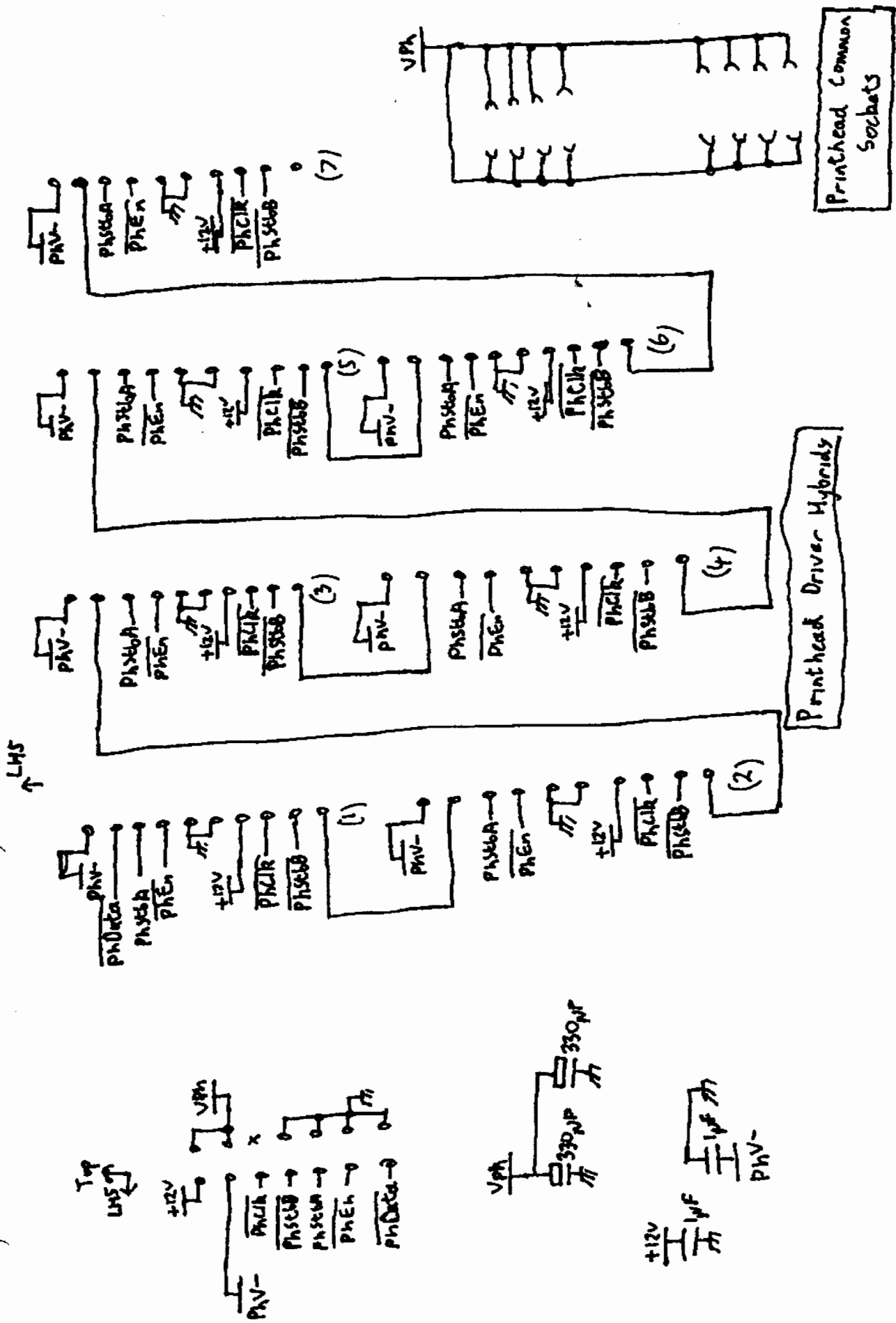
+25V
w/br
bn
R
Y
Bu
Bk
Br
w/or-PhEn
Y-Phclk
Or
w/gy/Br
w/gy



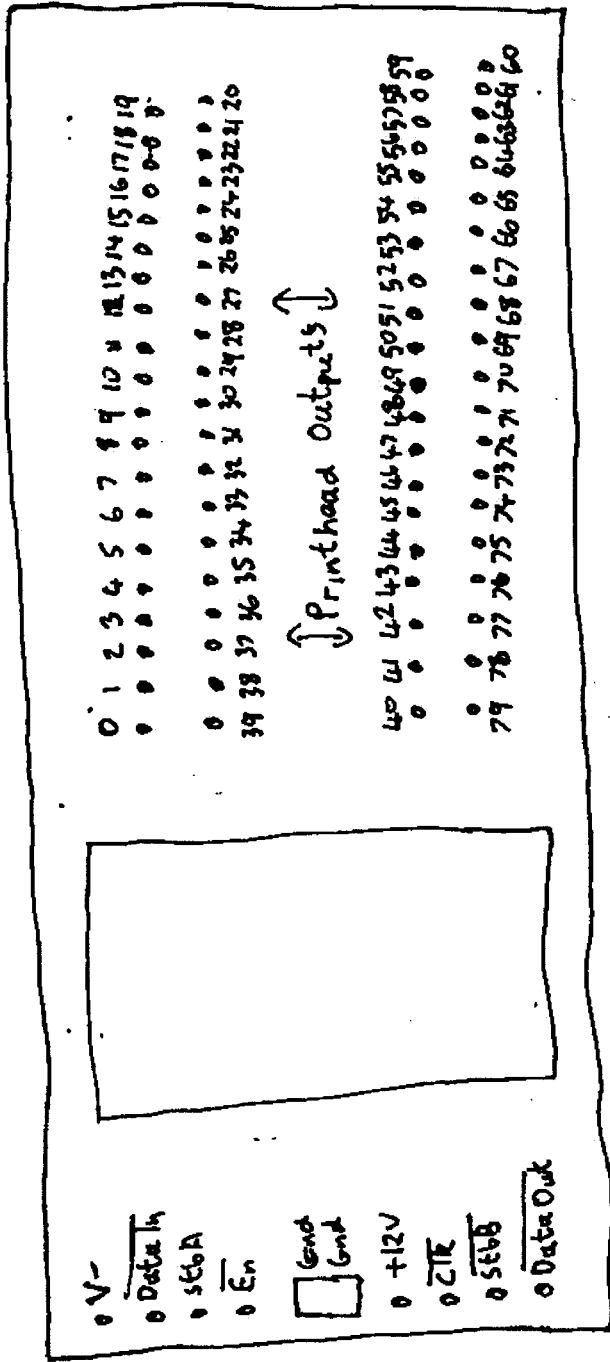
(Switch Connection)



(Print head)

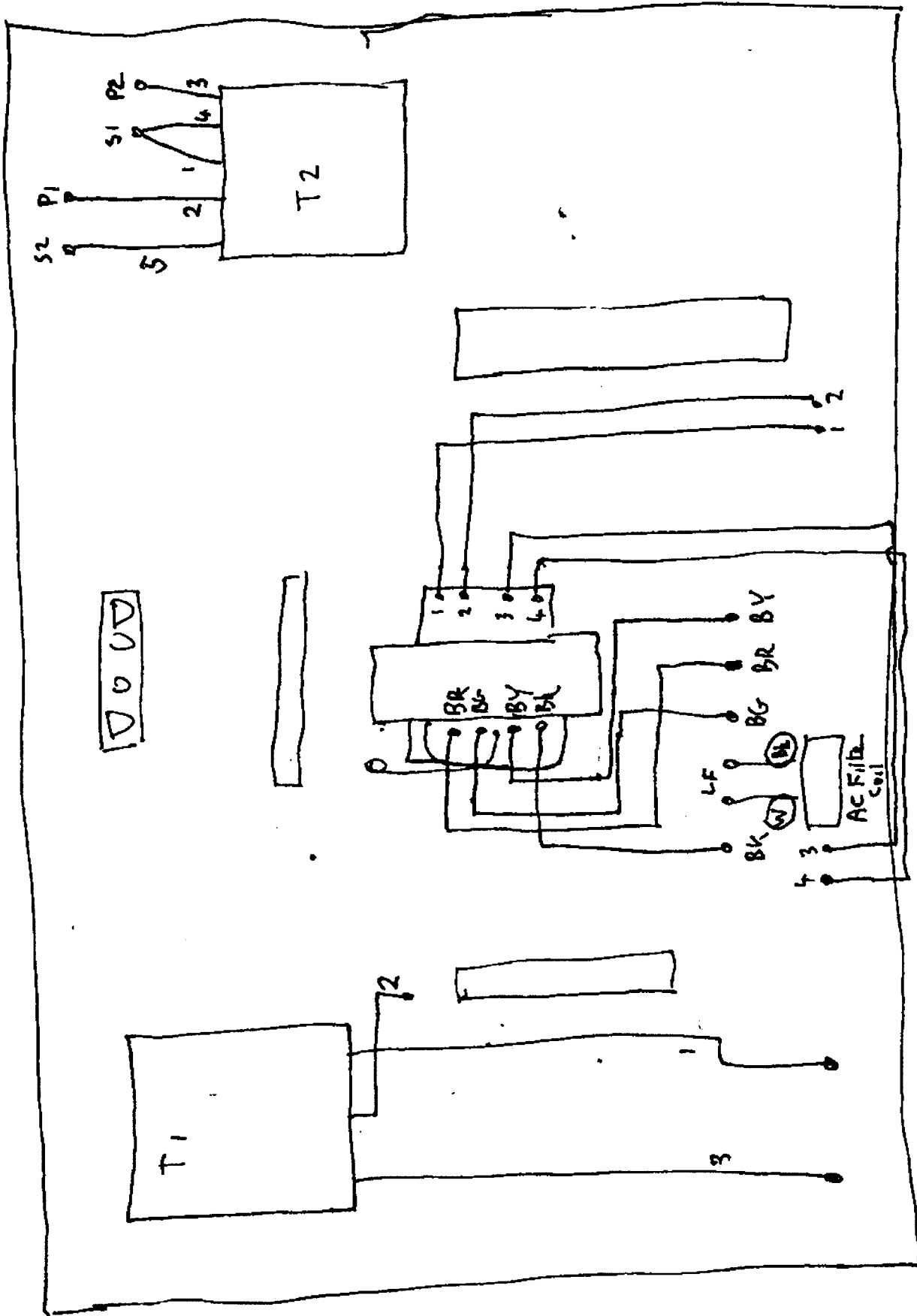


HP 9845 Printhead PCB 09845-6653

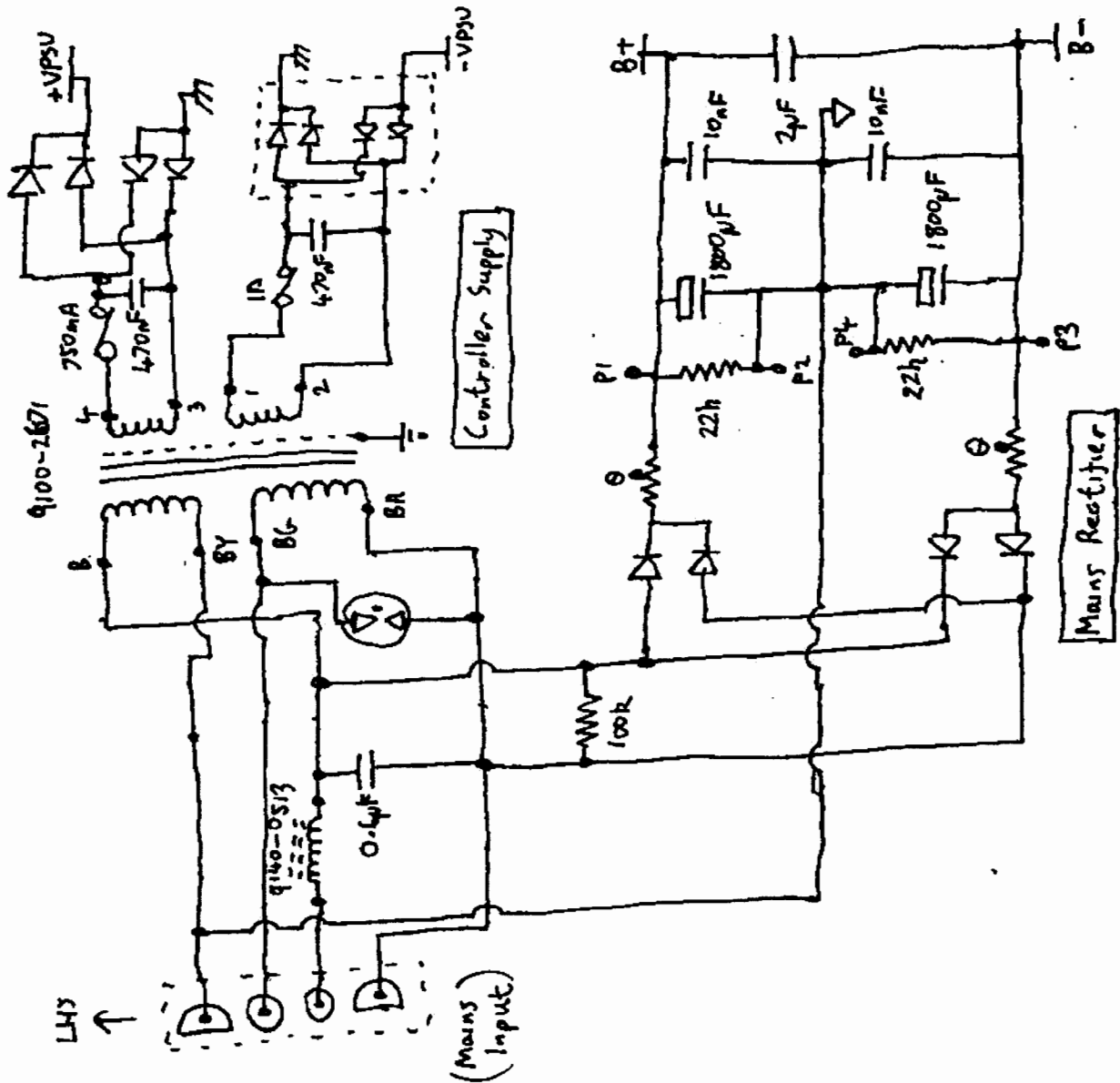
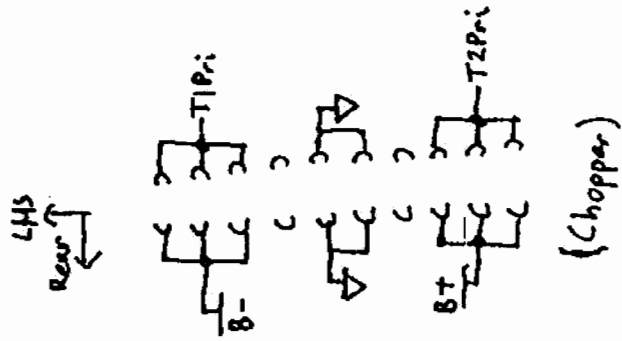


5061-3020
 Print head Driver Hybrid

Print head Resistance: 110Ω

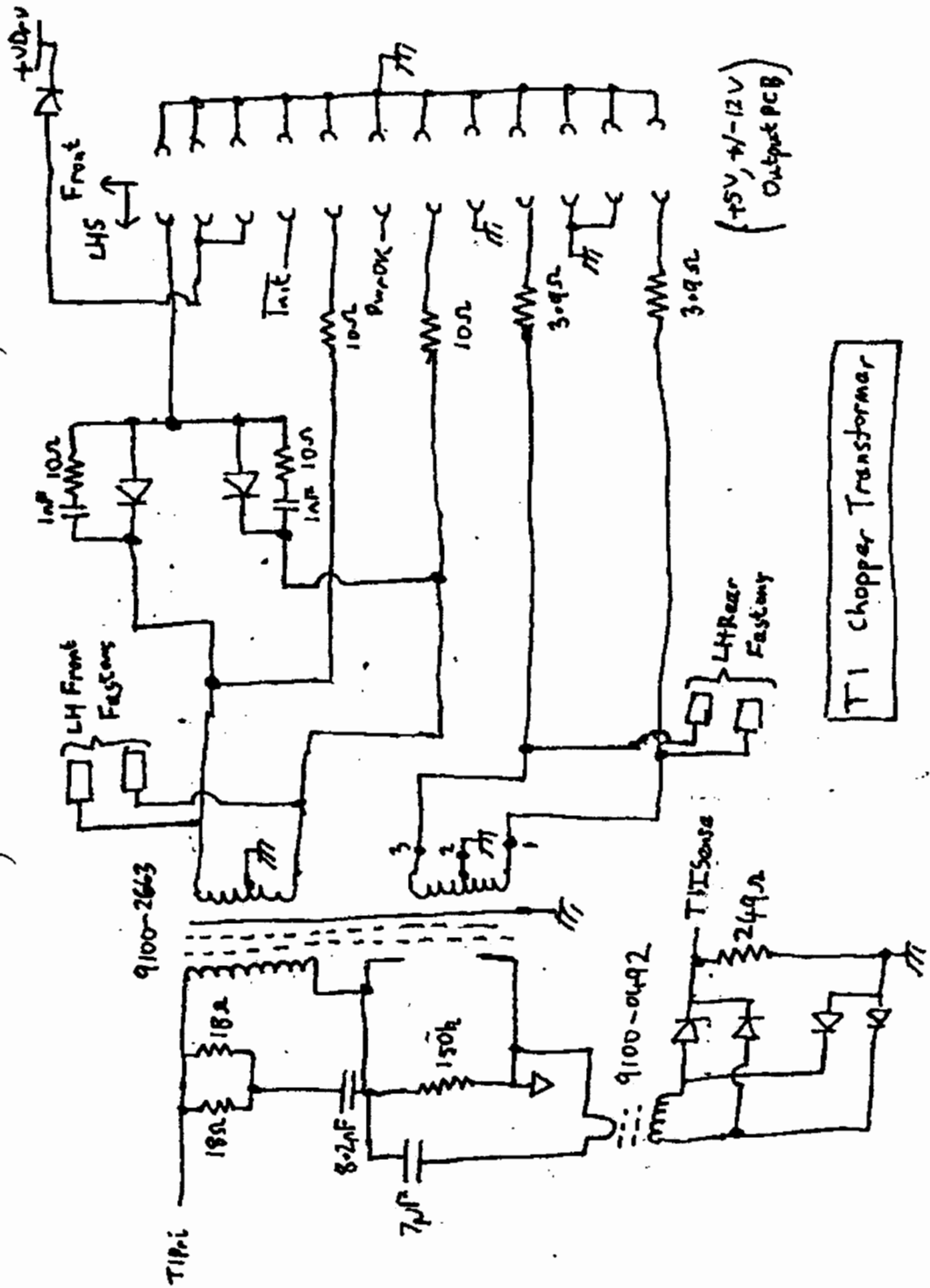


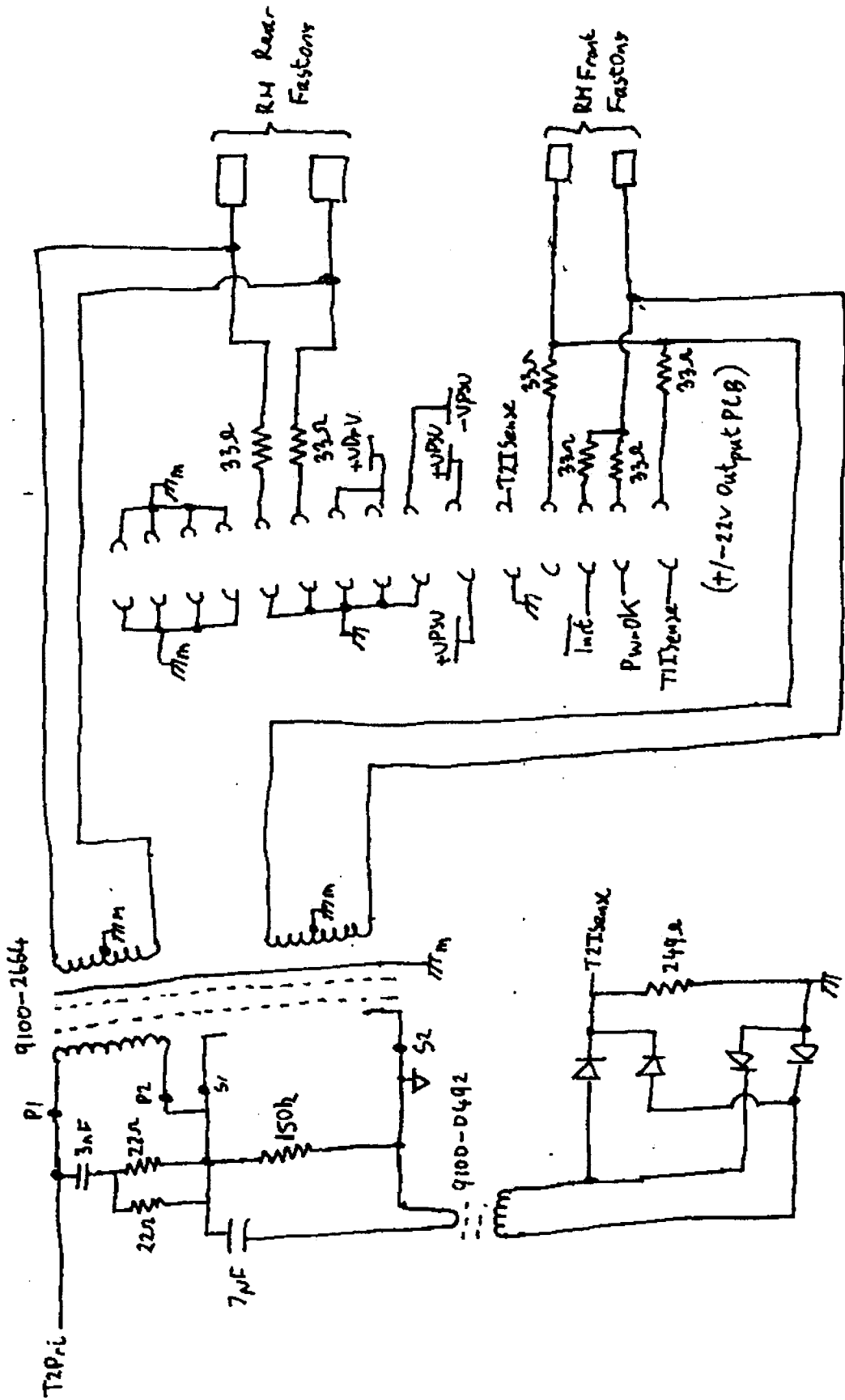
PSU Mainboard

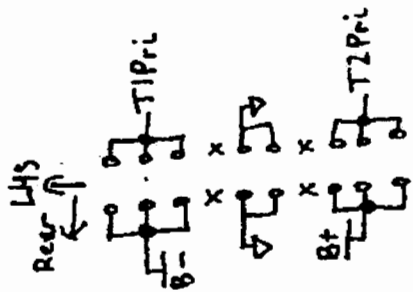
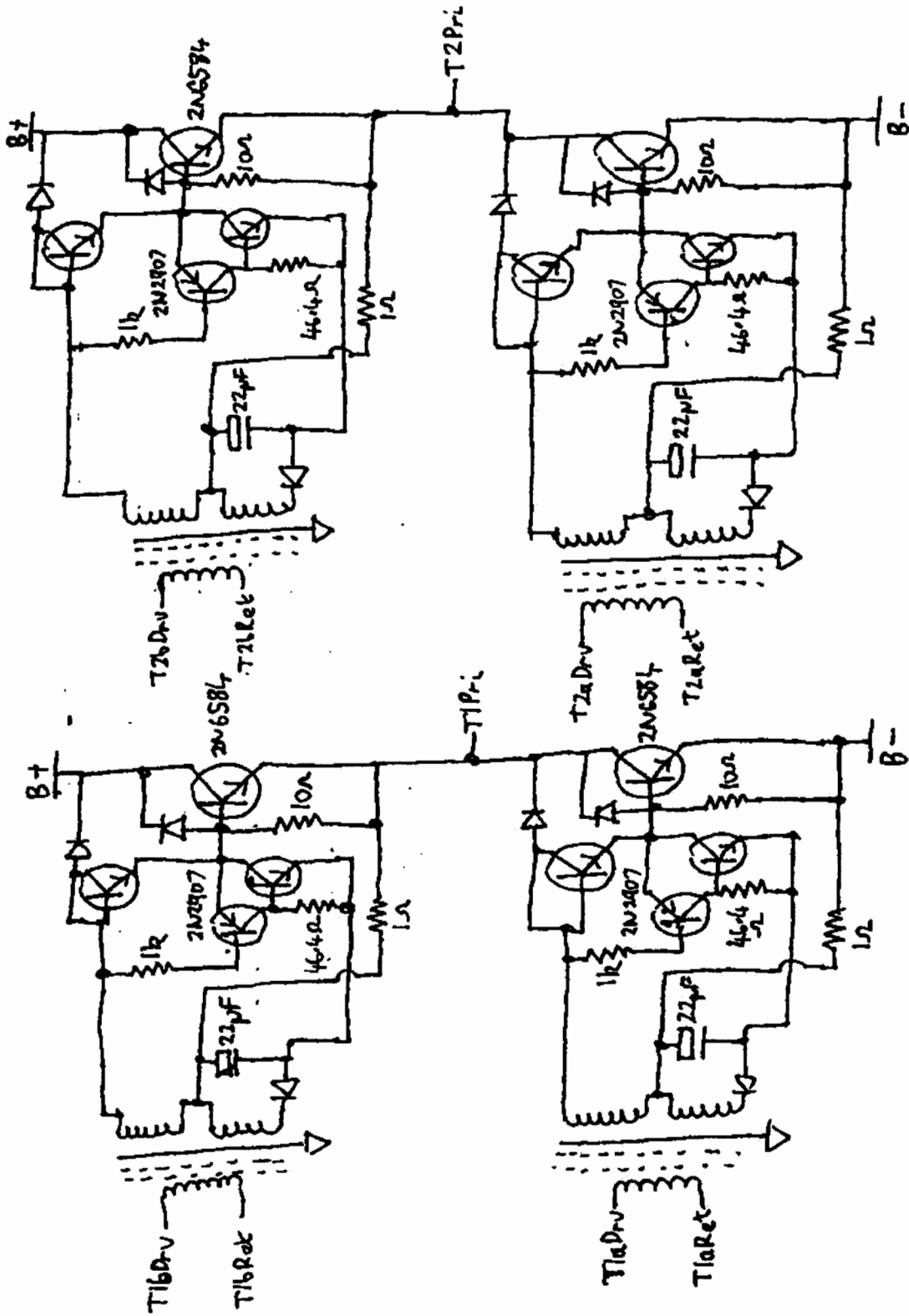


09845-66520

HP9845 PSU Mainboard sheet ①

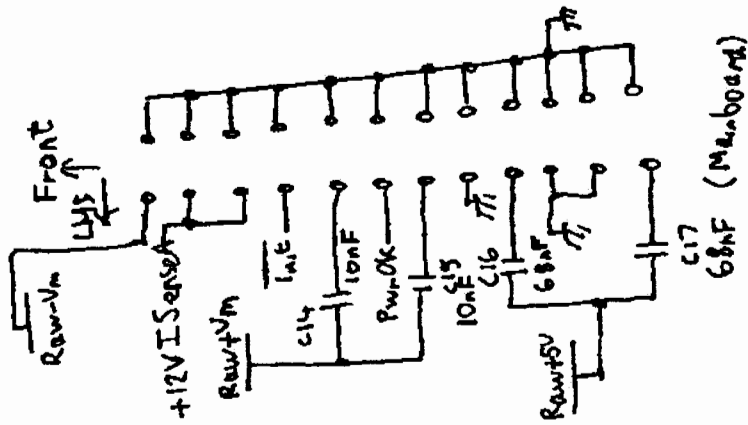
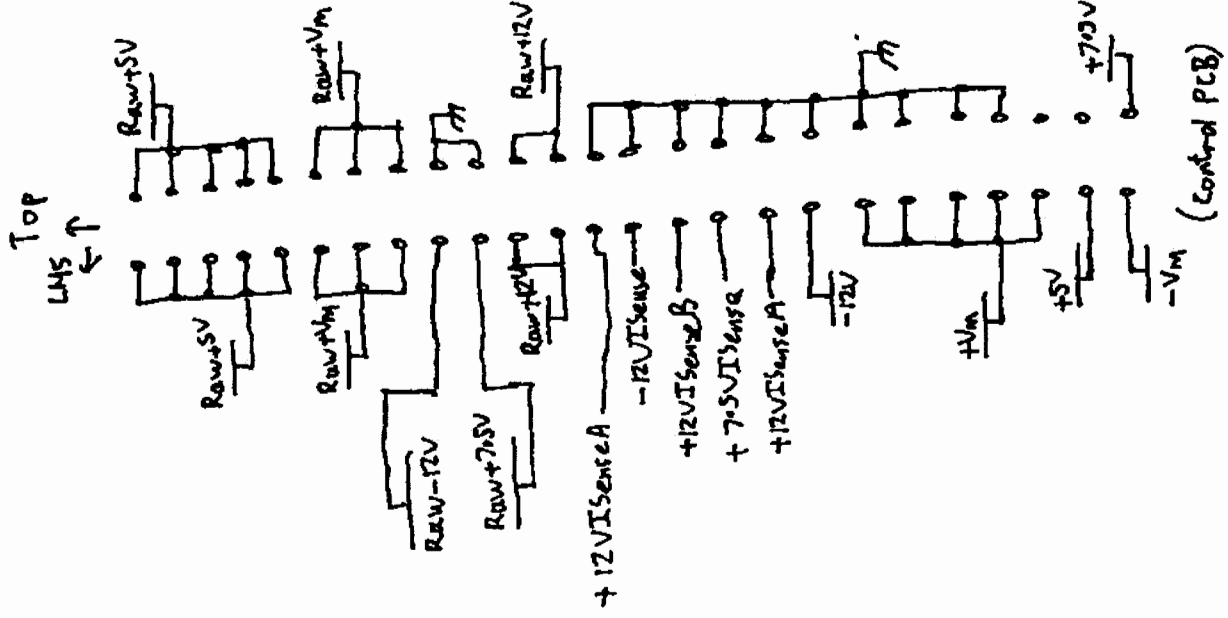
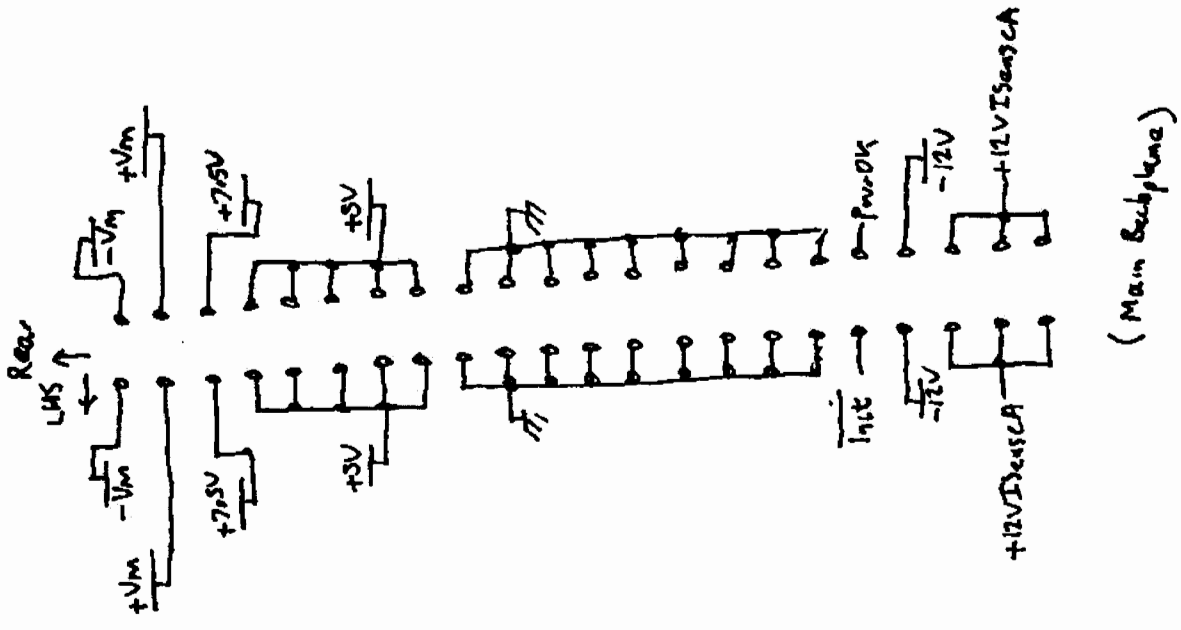


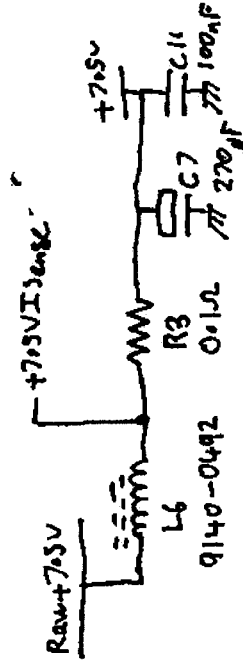
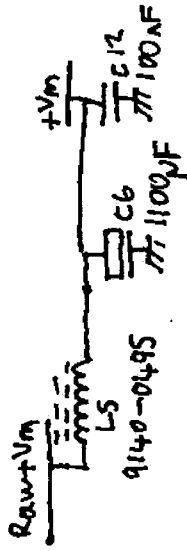
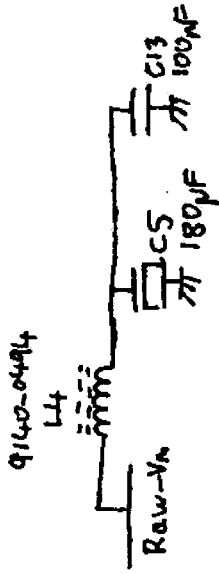
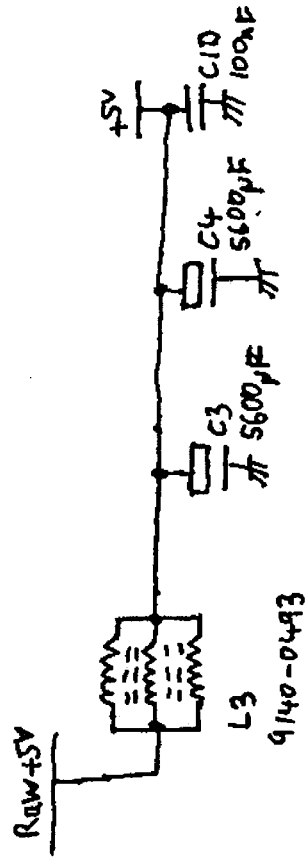
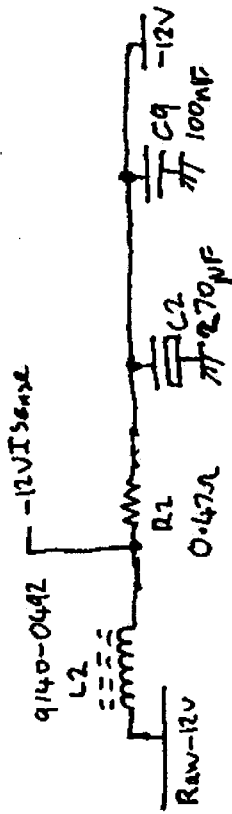
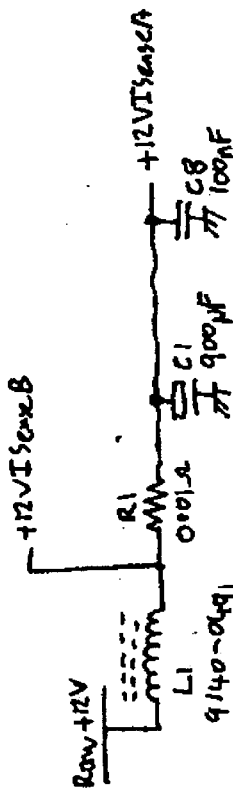




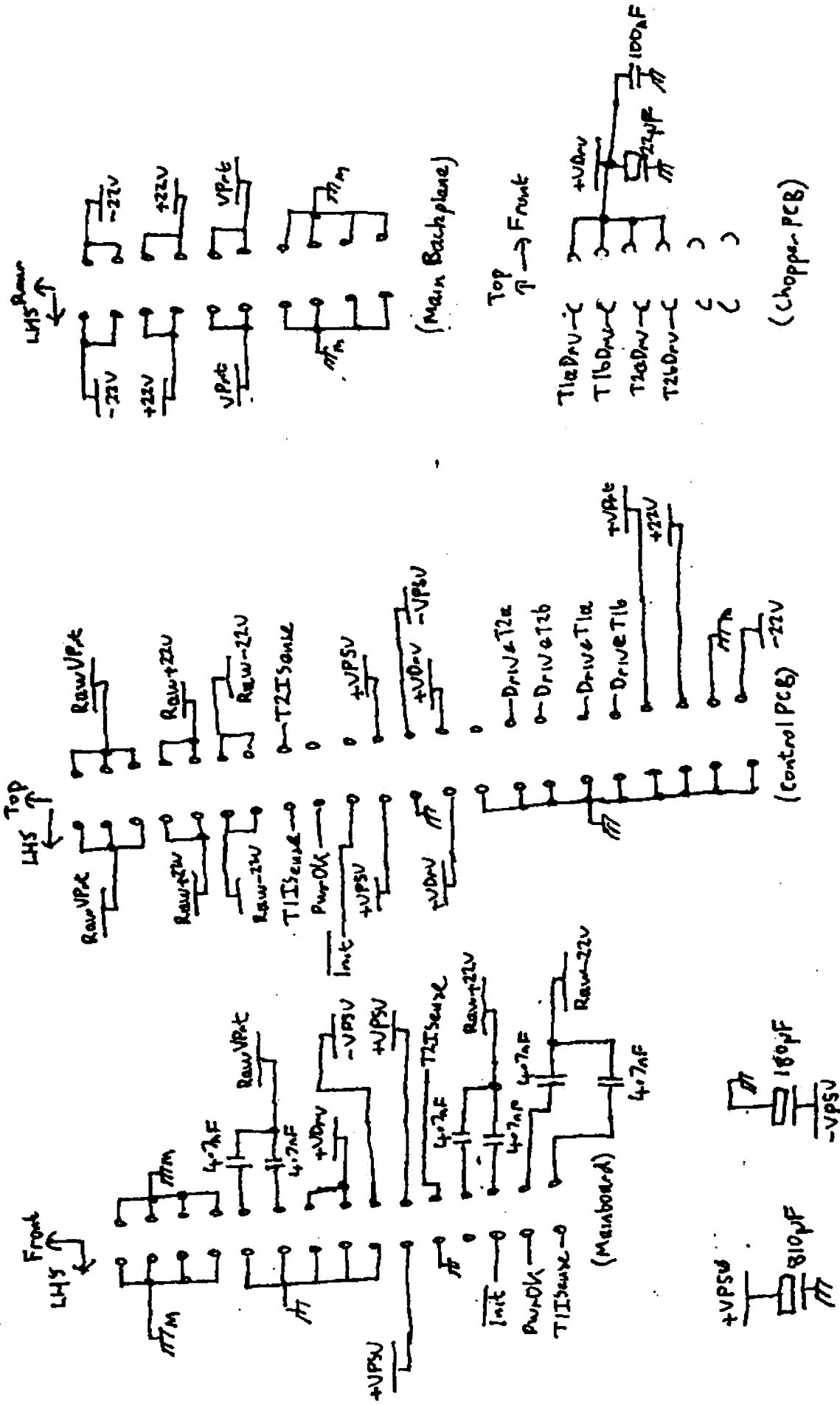
(Mainboard)

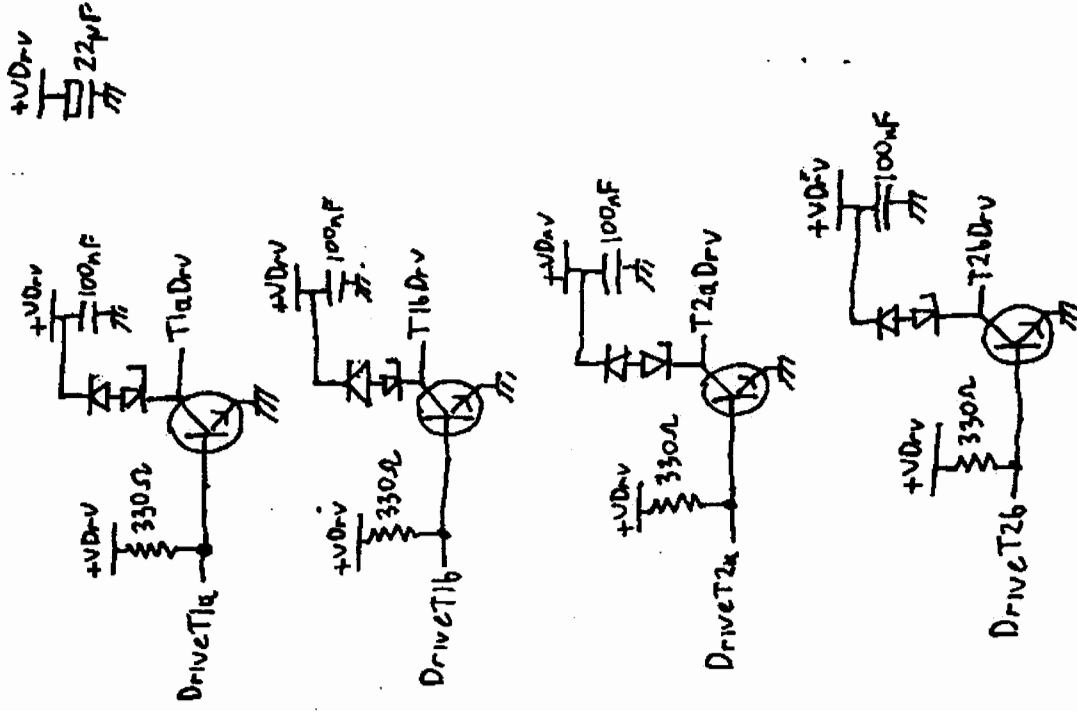
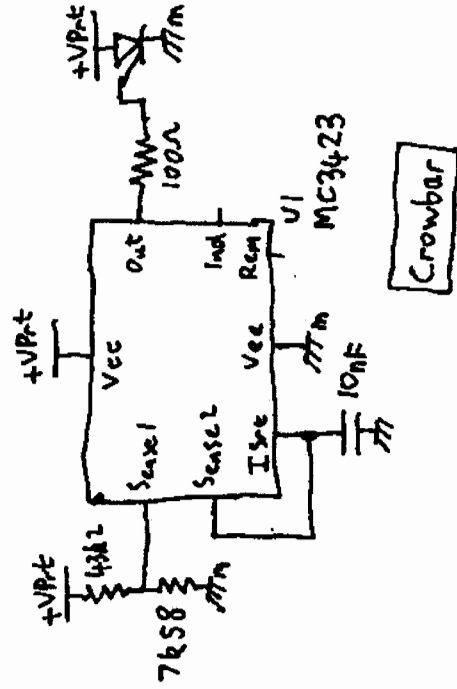
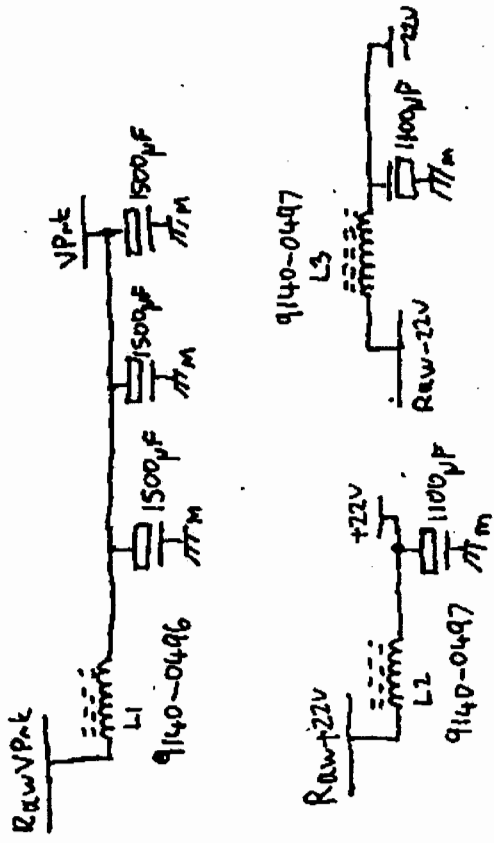
- T1aDrv → o-T1aRet
 - T1bDrv → o-T1bRet
 - T2aDrv → o-T2aRet
 - T2bDrv → o-T2bRet
 - X X
 - X X
- (+/-22v output)

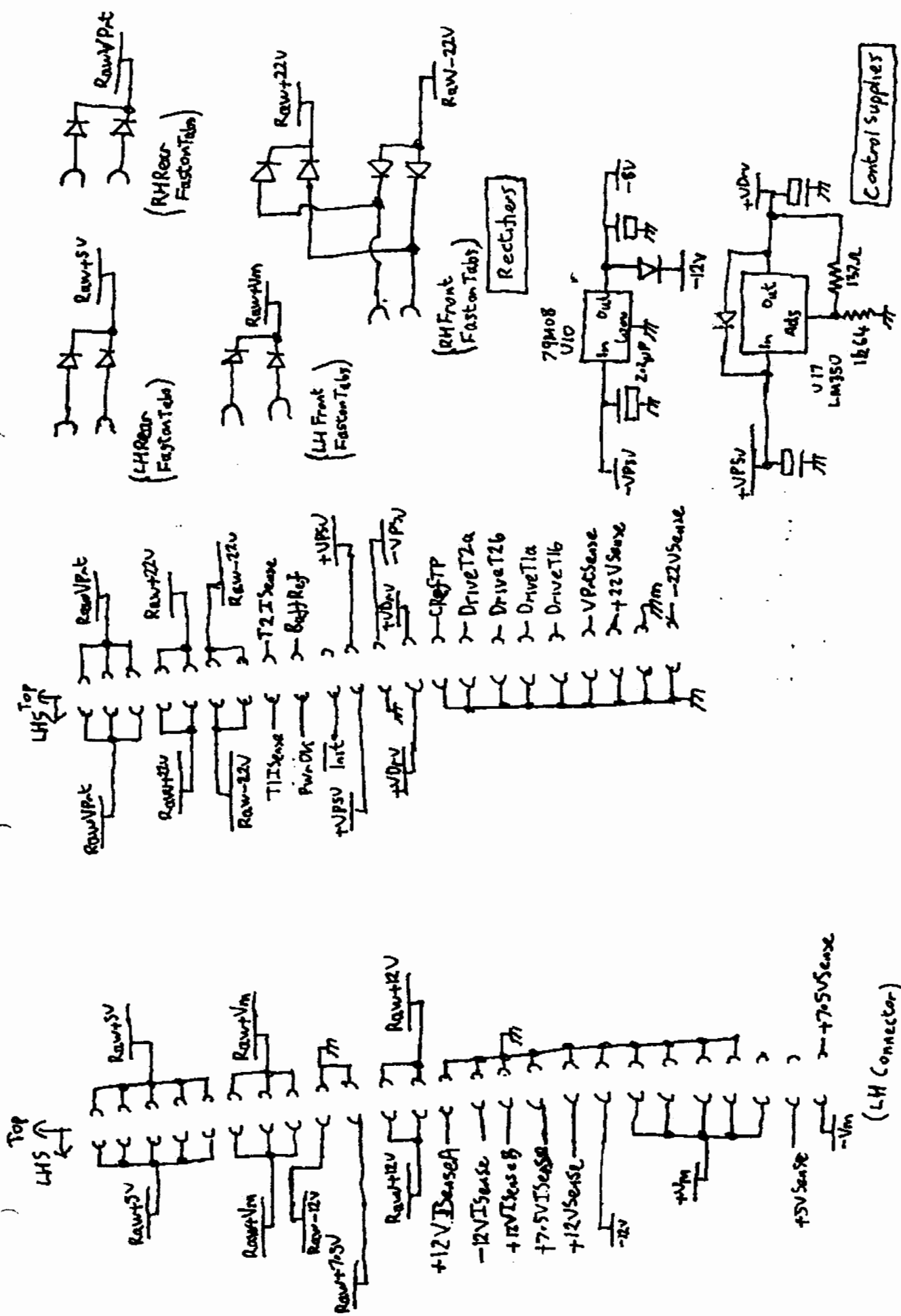




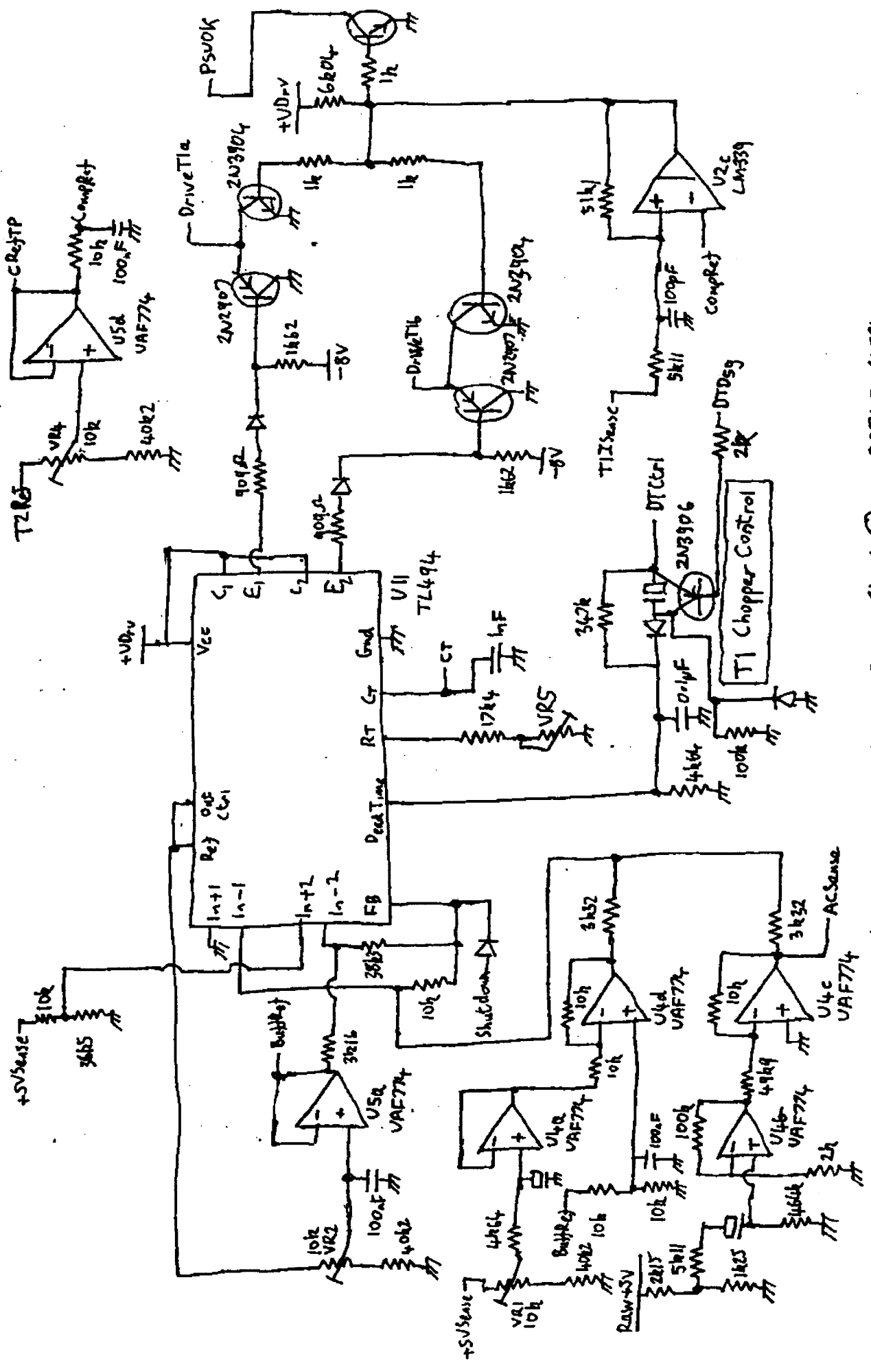
HP9845 +5V, +/-12V PSU output PCB sheet ② 09845-66S17



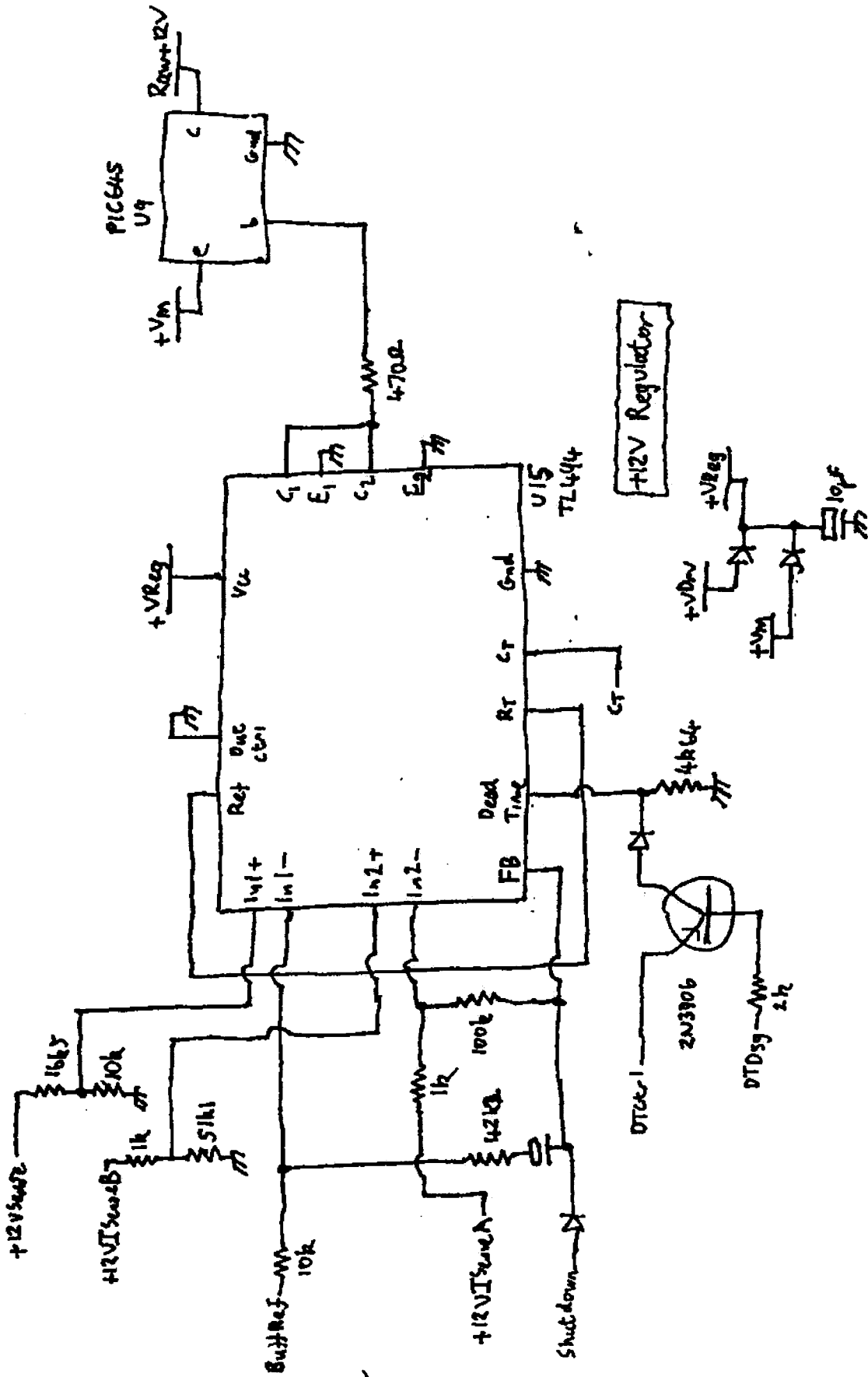


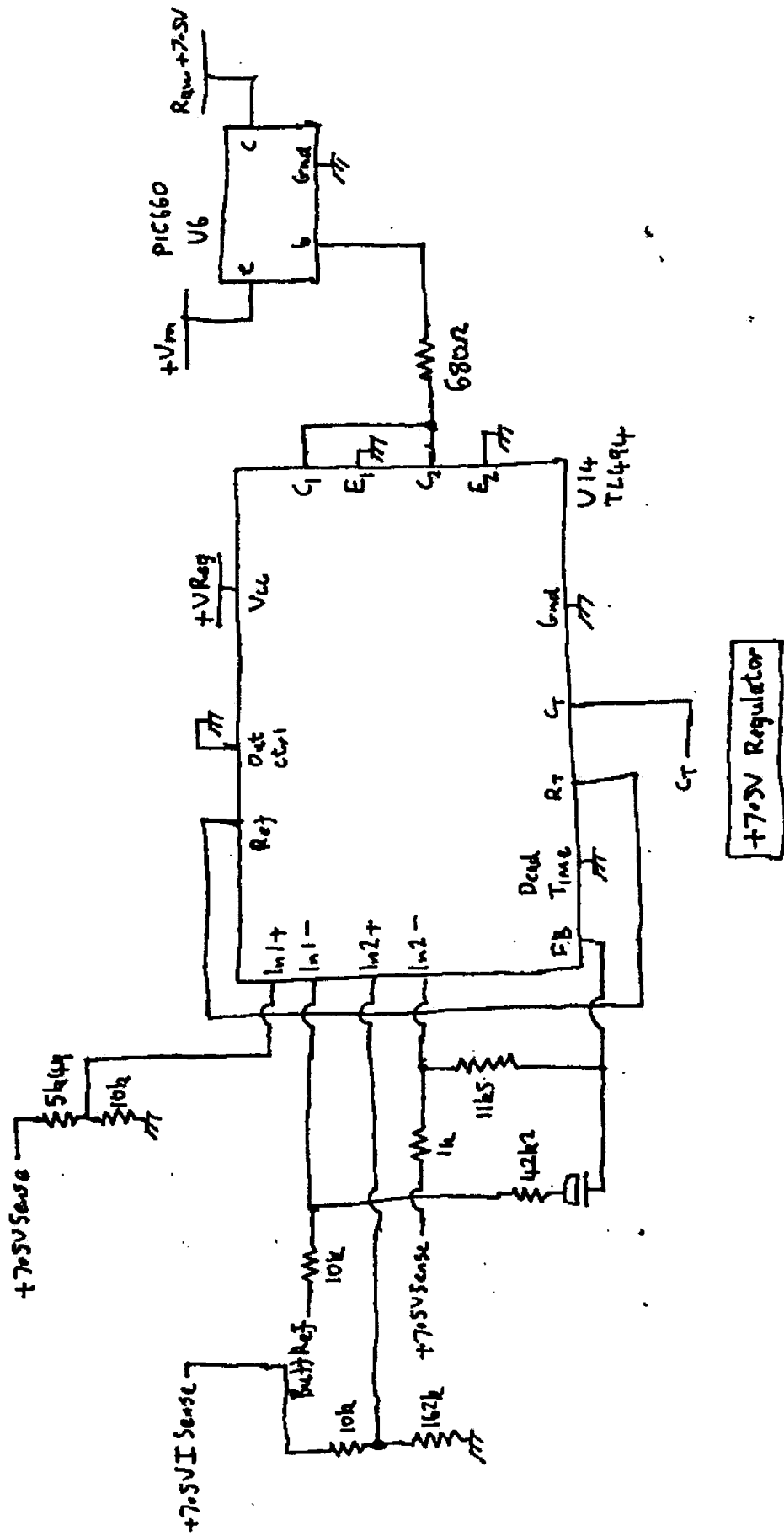


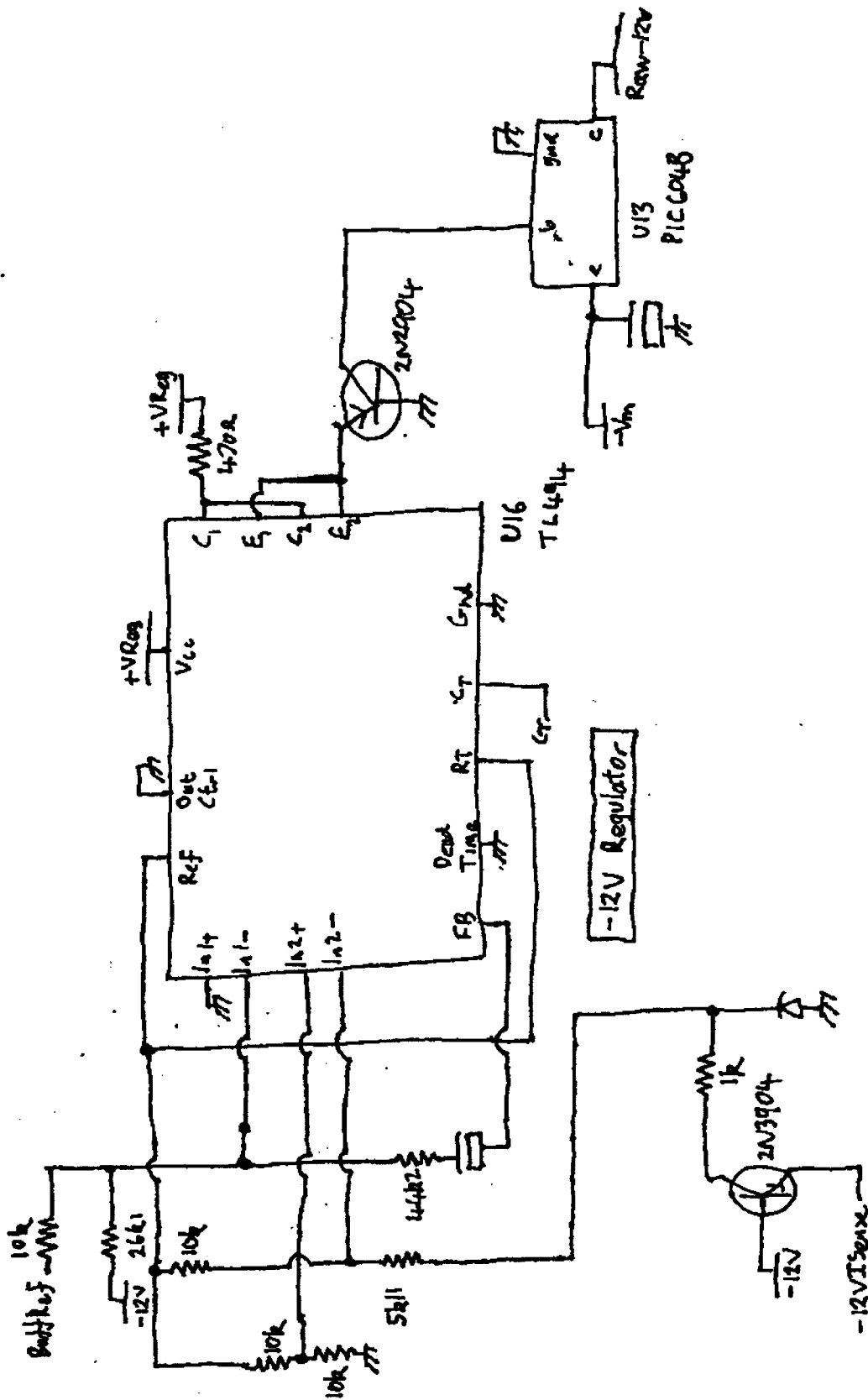
HP 9845 PSU Control PCB Sheet ① 09845-66534



HP9845 PSU Control PCB Sheet 2 09845-66534

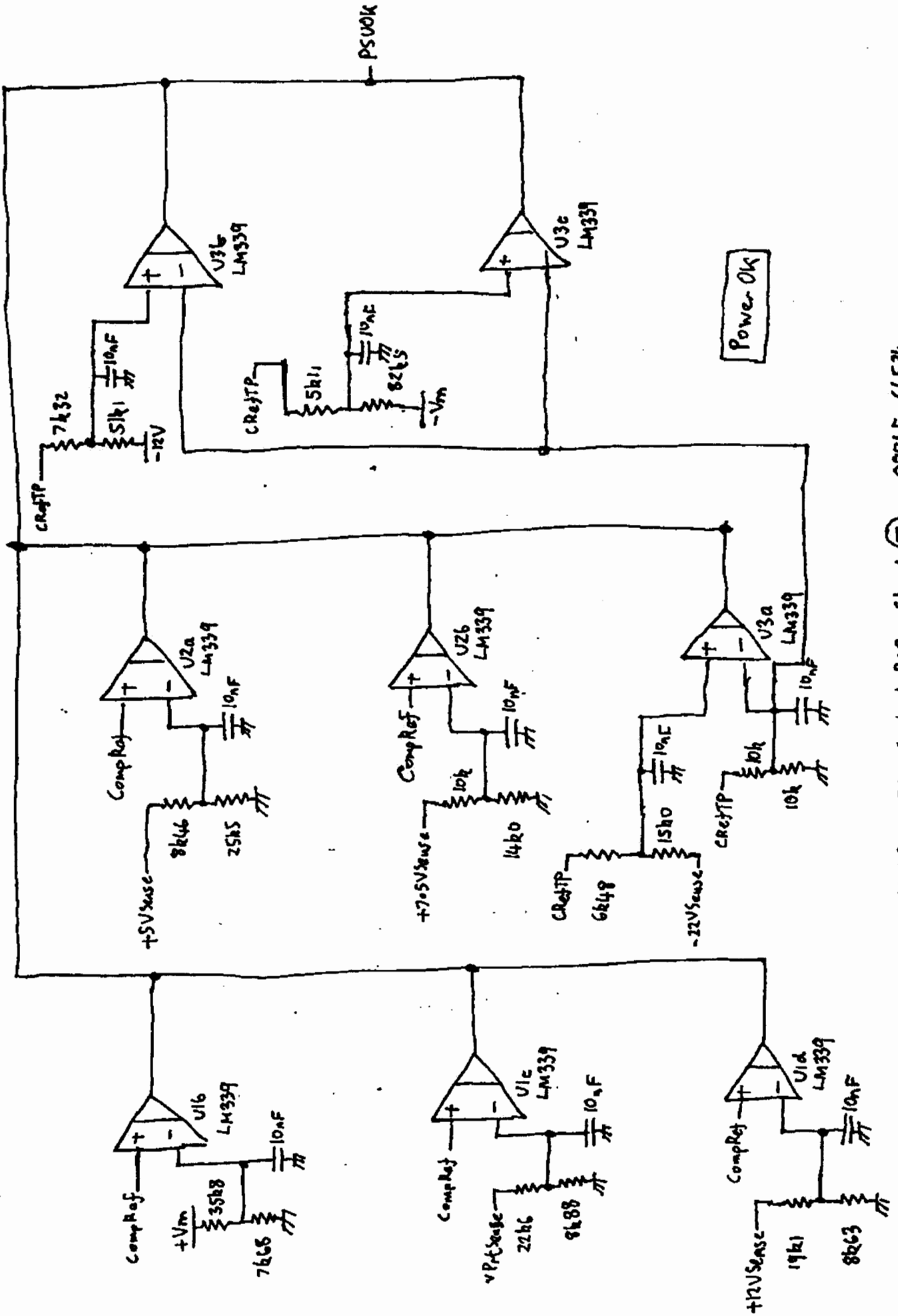


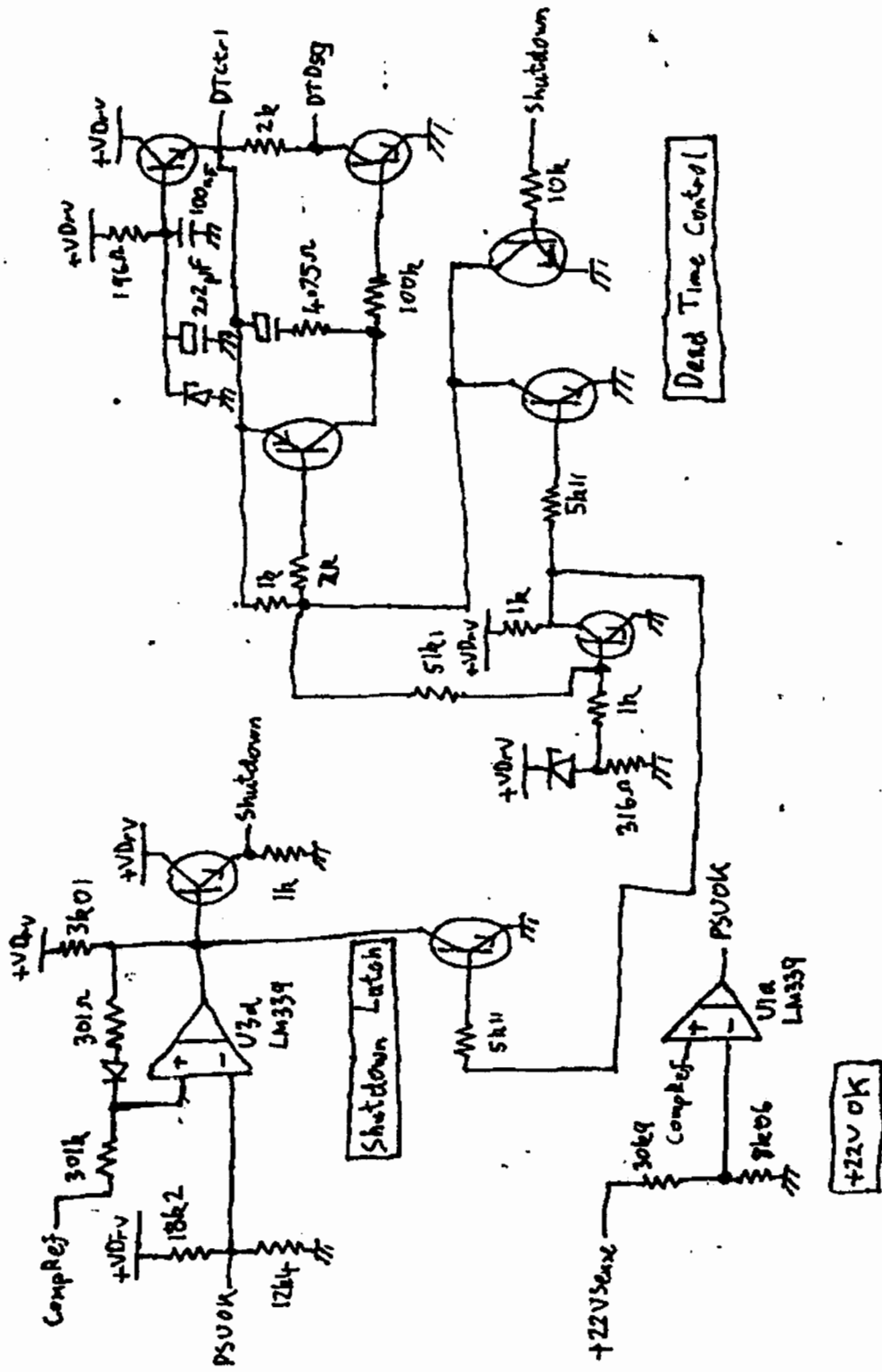


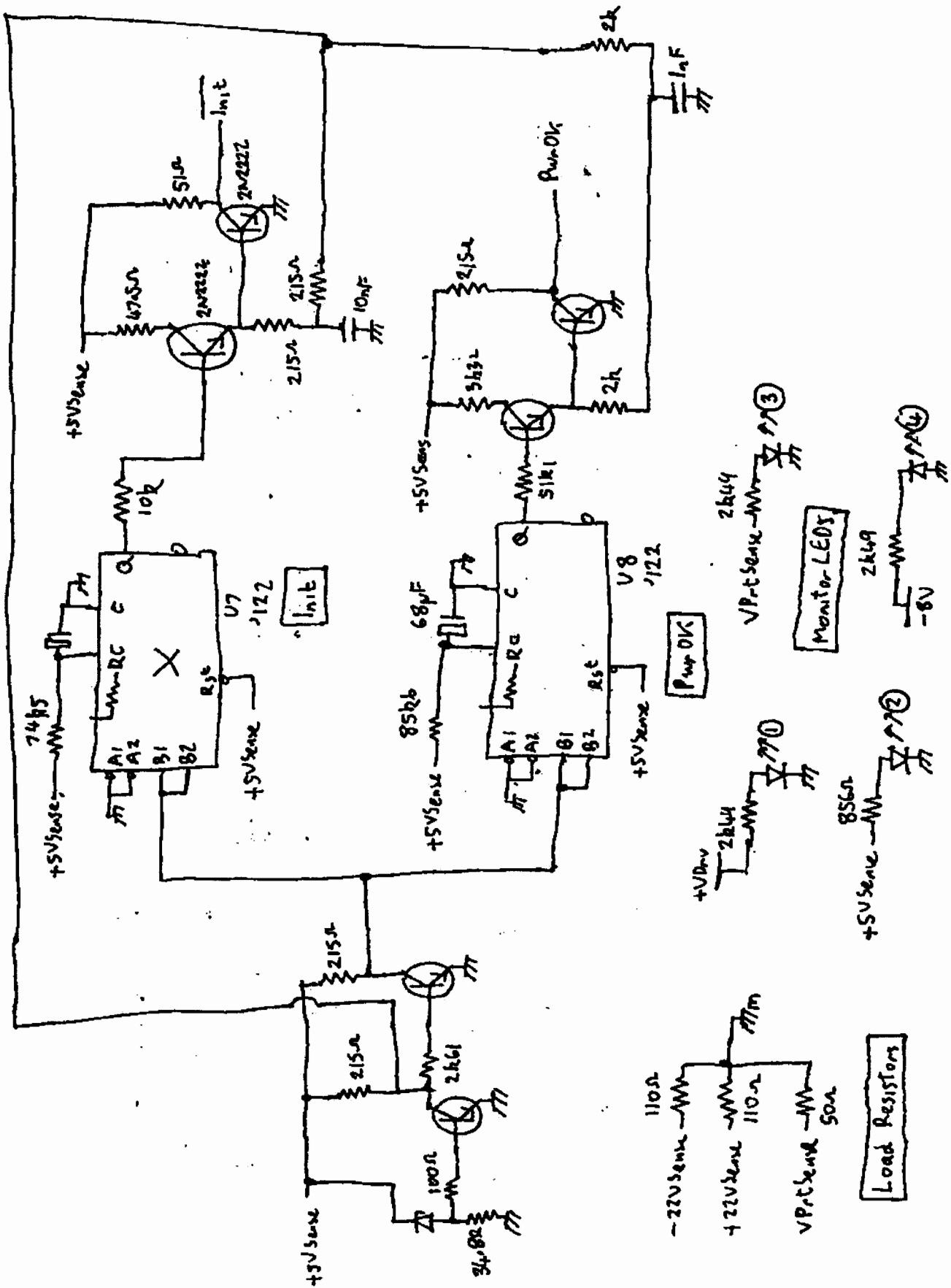


09845-66534

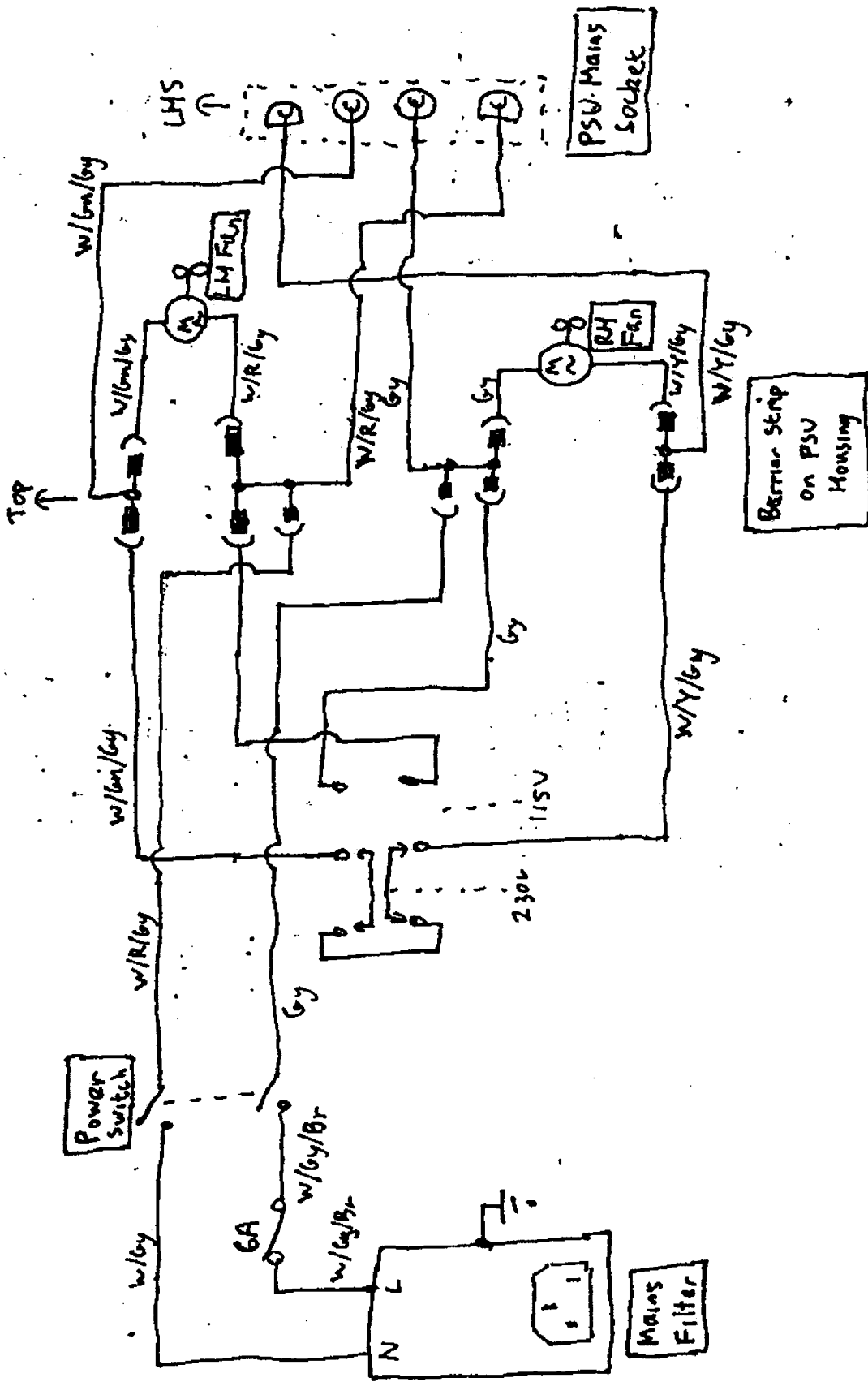
HP9845 PSU Control PCB Sheet 6



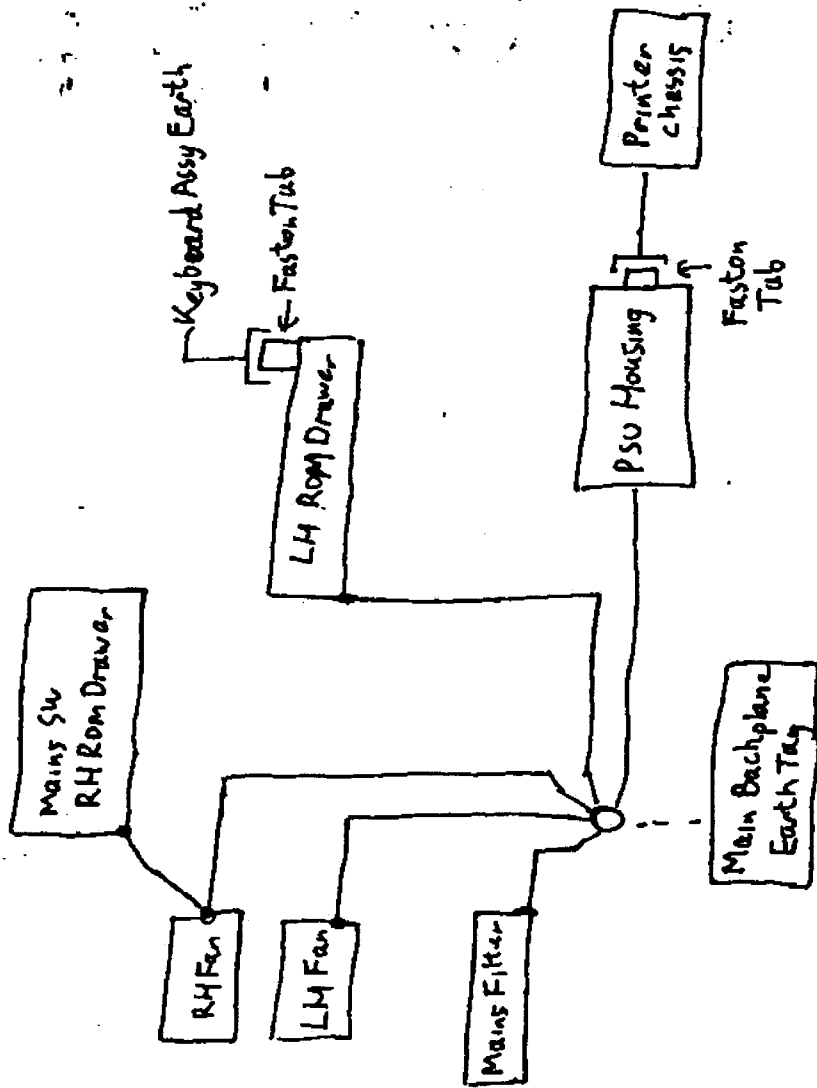




HP9845 PSU Control PCB sheet 9 09845-66534

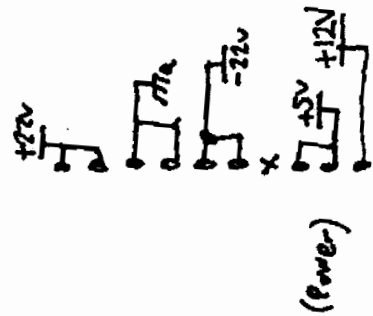
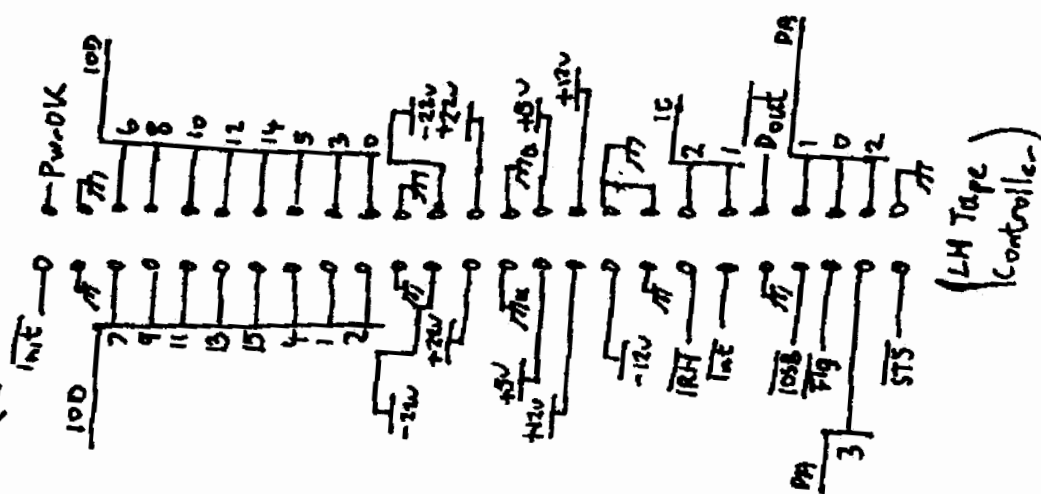
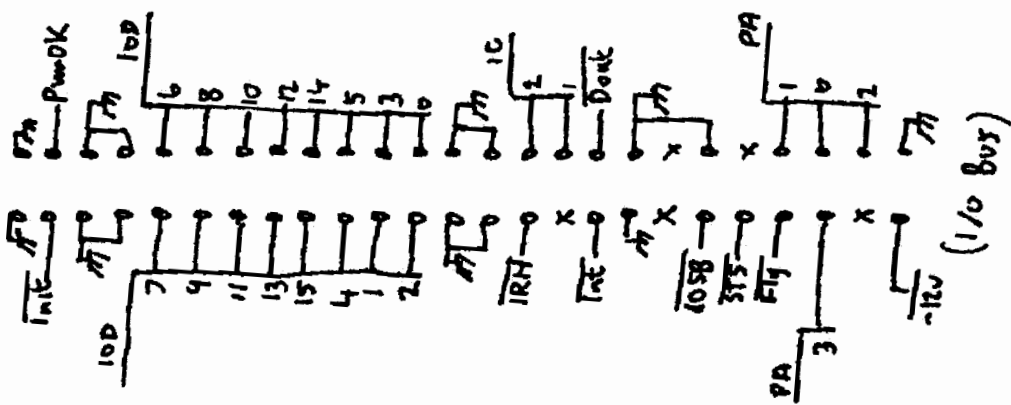


HP9845 Mains Wiring



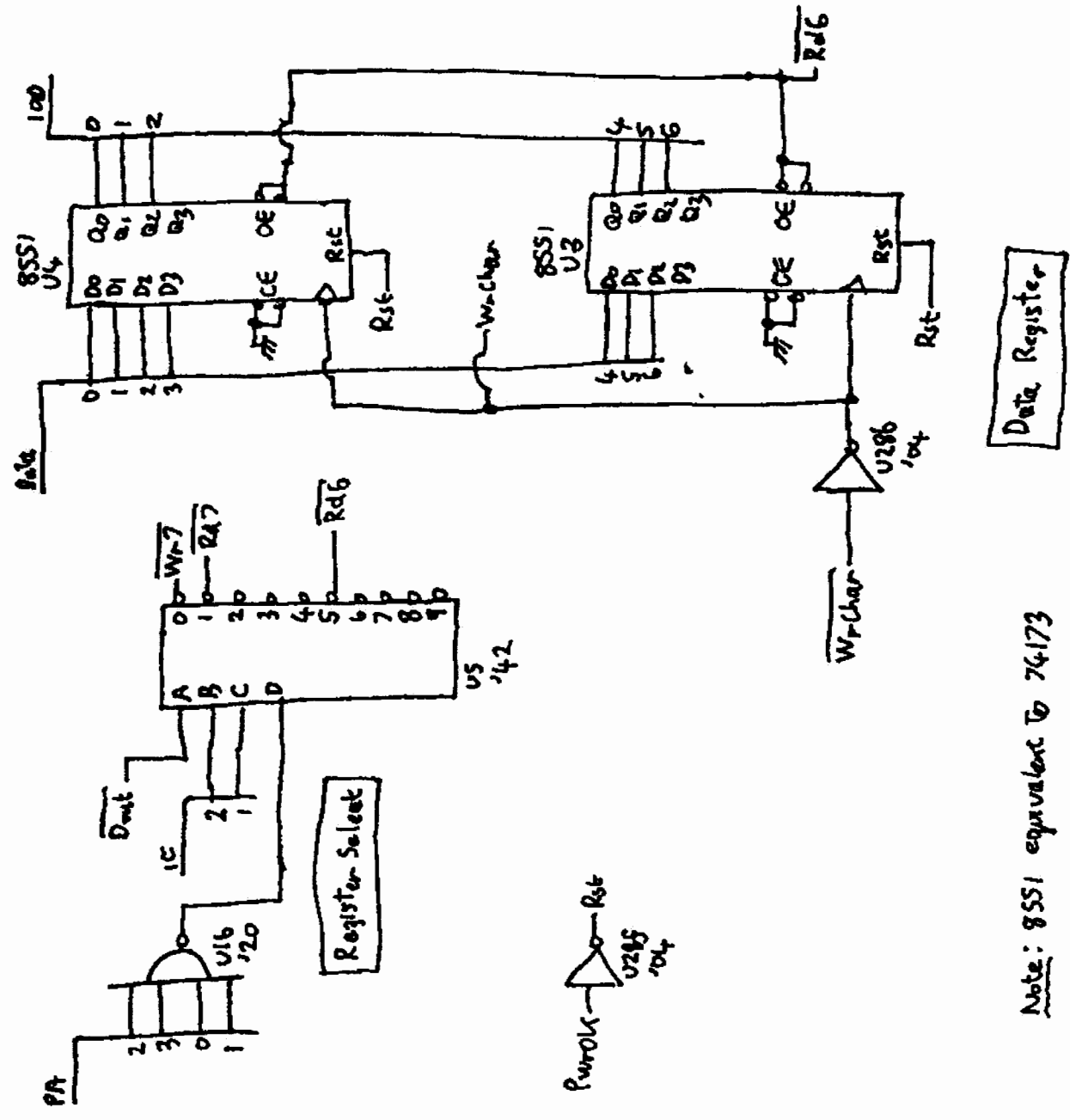
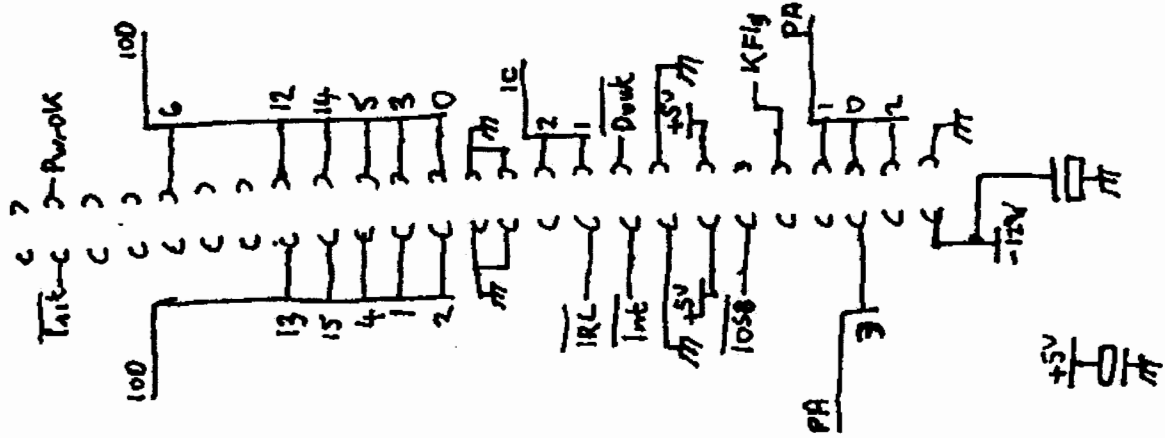
HP 9845 Rear Chassis Earth Wiring

LHS
Top

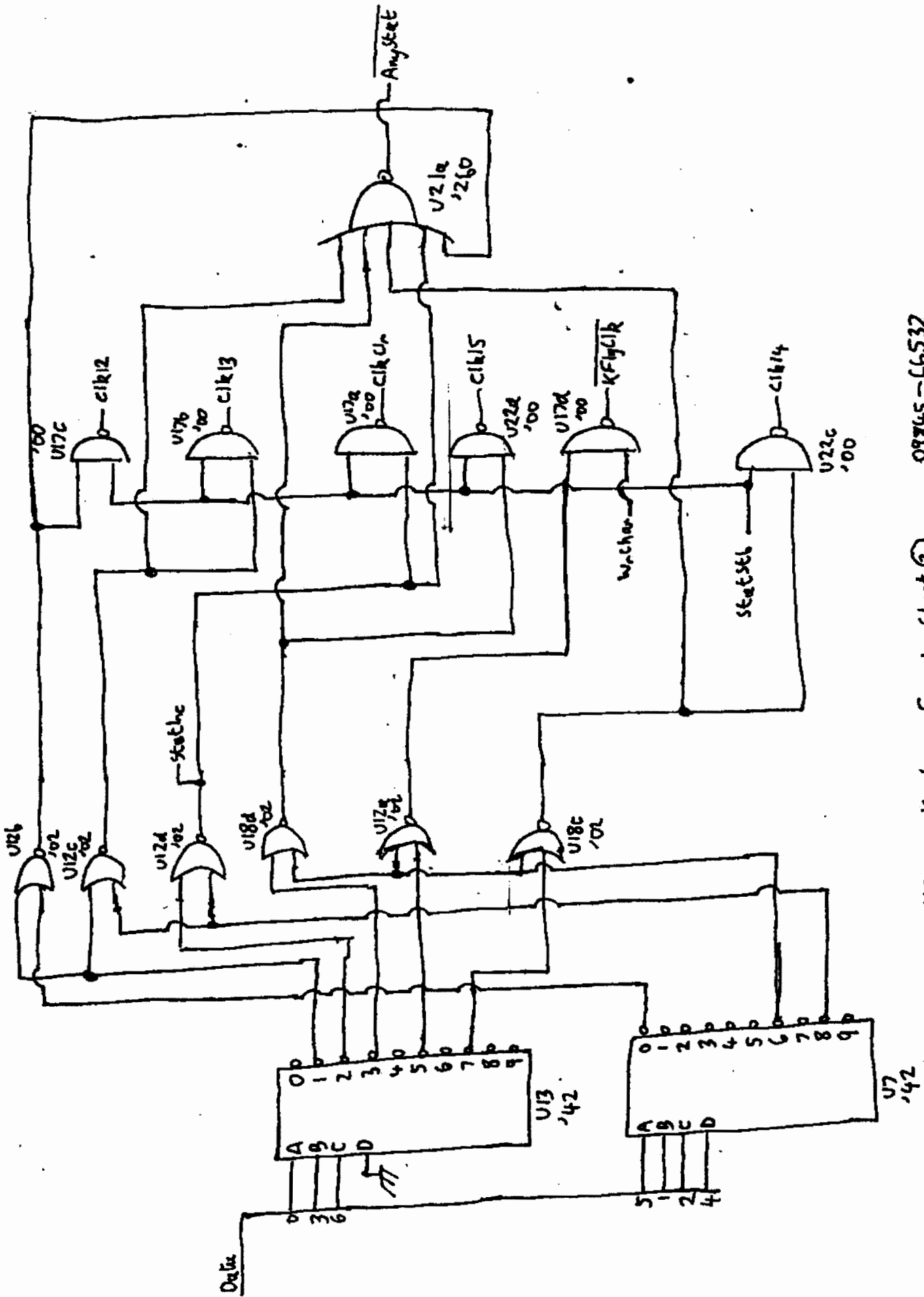


HP9845 Tape Controller Interconnect PCB 09845-66505

LMS
Top ←

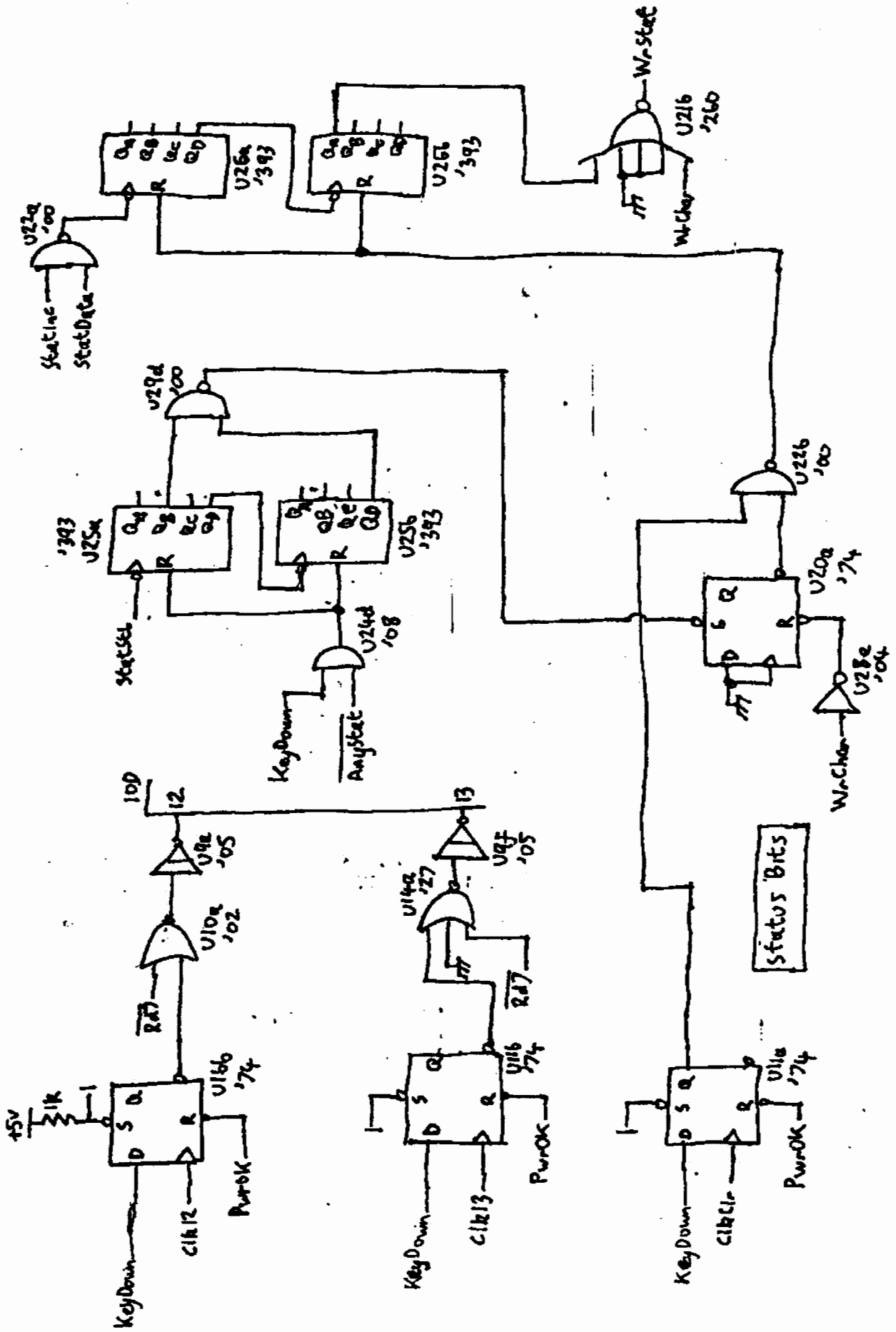


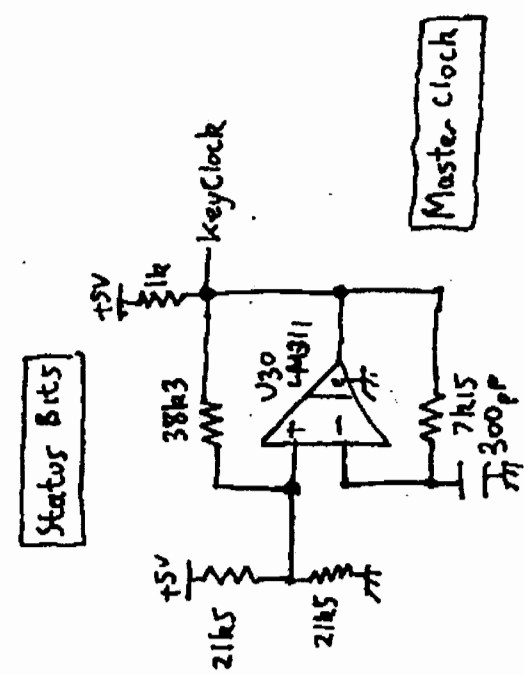
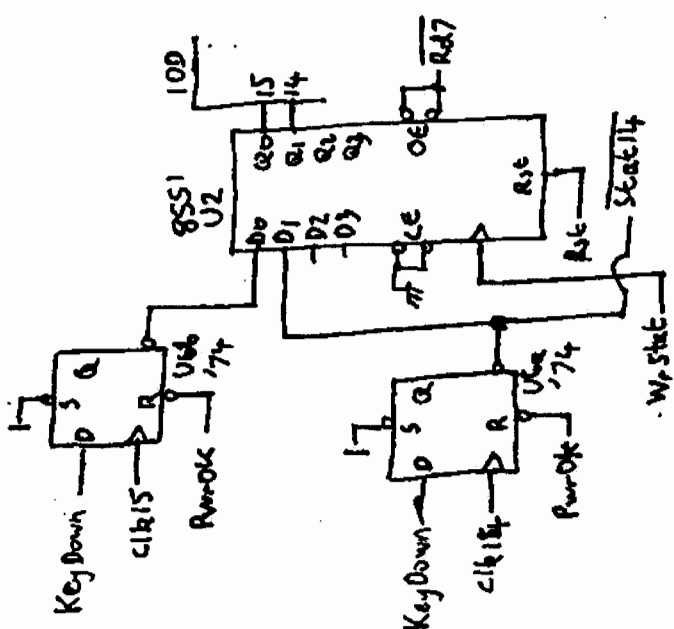
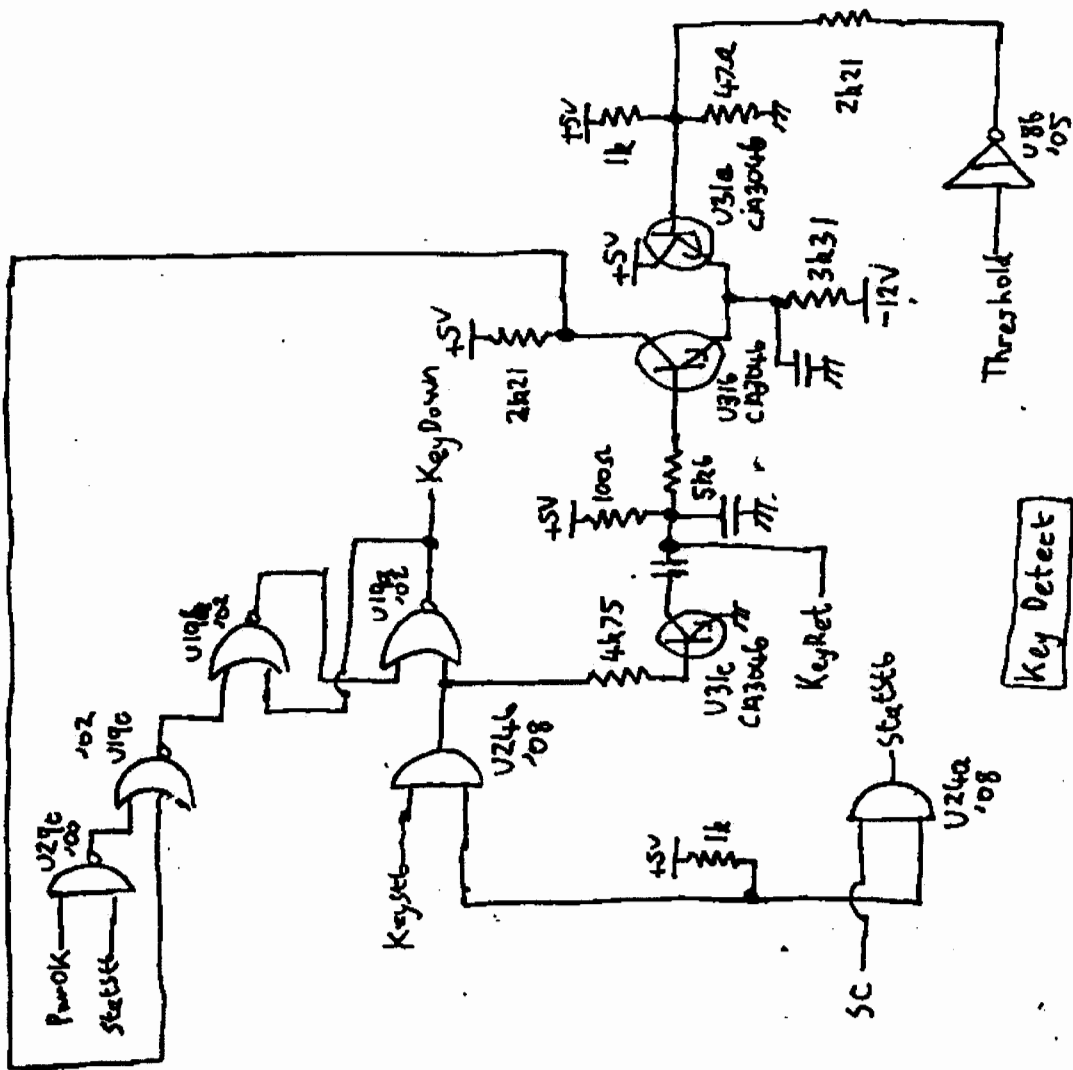
Note: 8551 equivalent to 74173



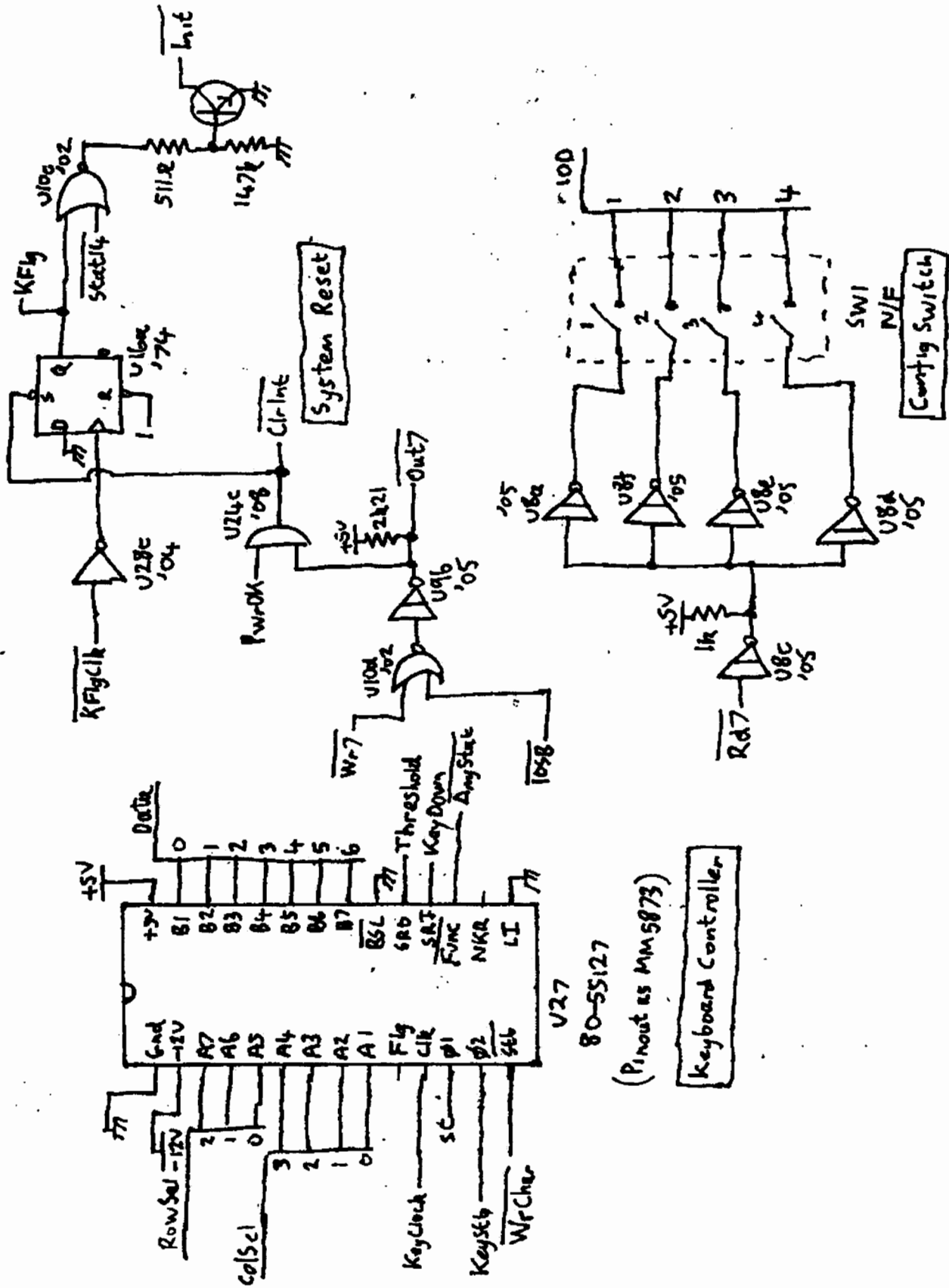
09745-66532

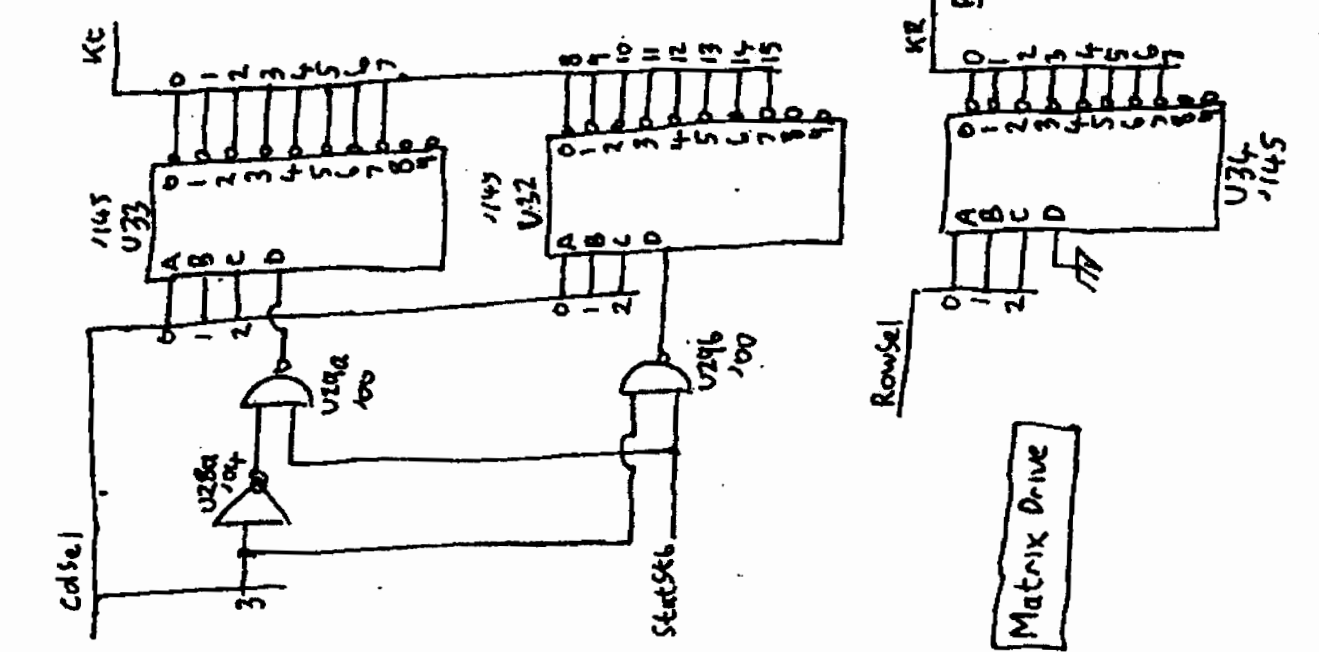
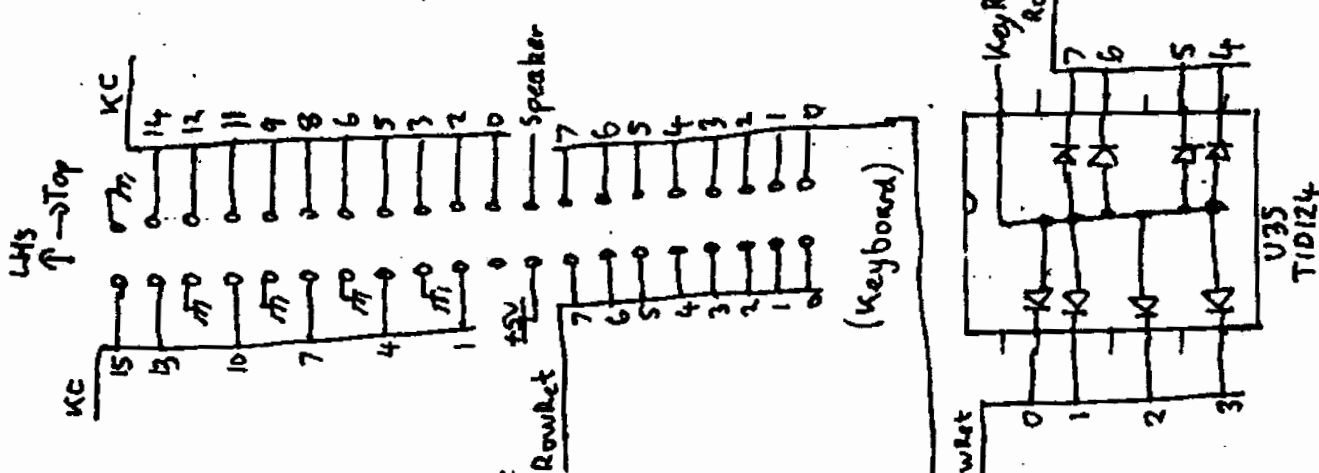
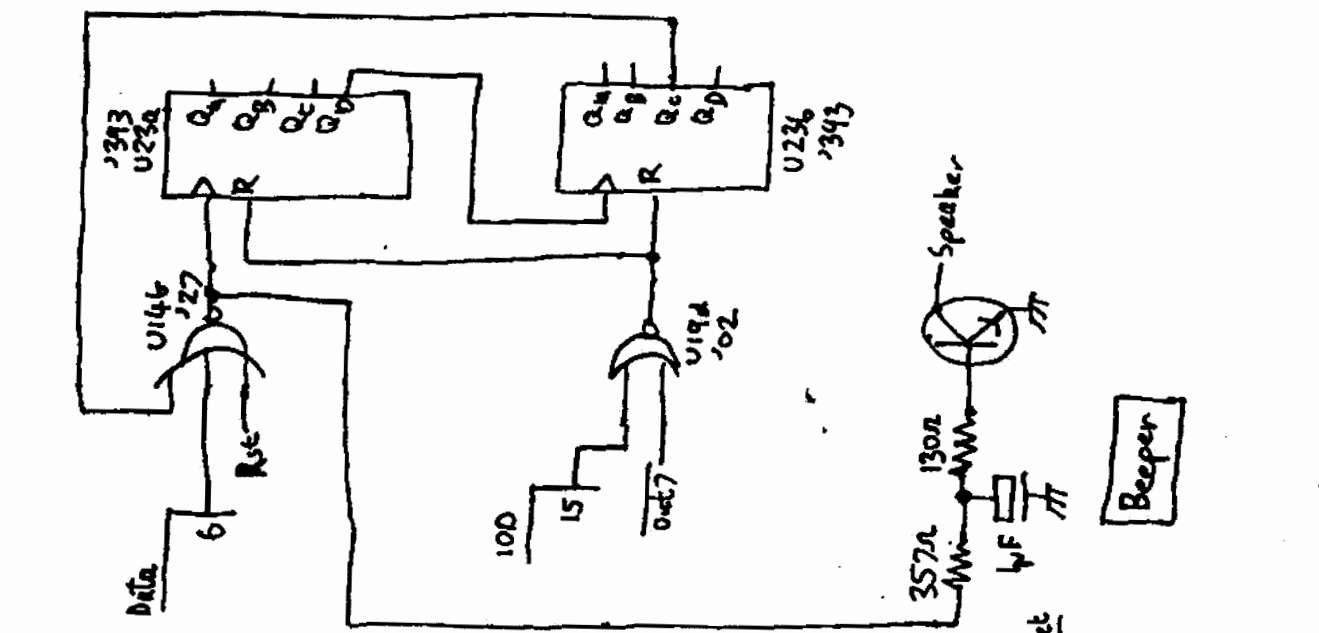
HP4845 Keyboard Encoder Sheet 2





HP9845 Keyboard Encoder Sheet (4) 09845-66532

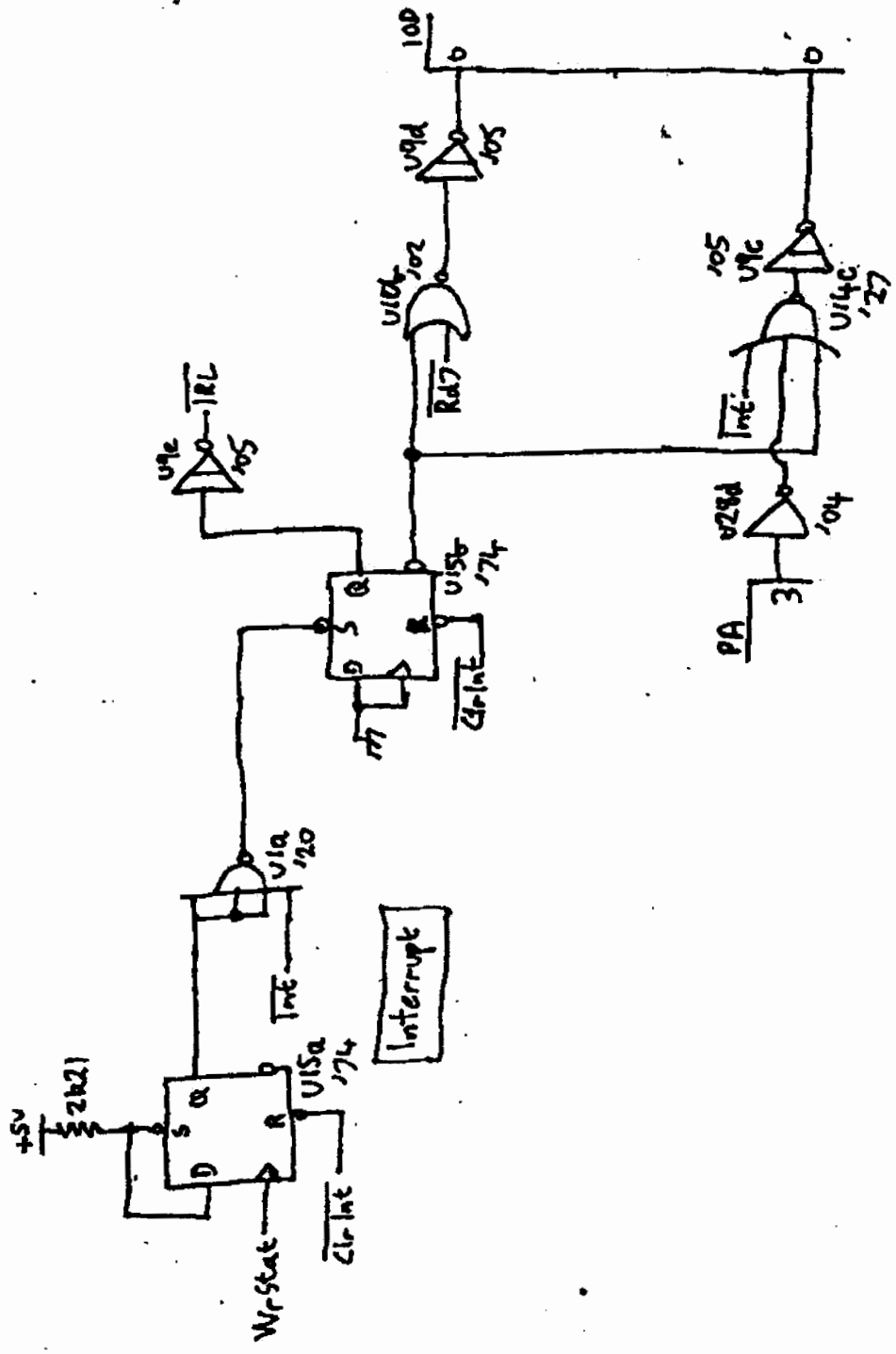




09845-66532

HP9845 Keyboard Encoder sheet 6

T1D124



HP9845 Keyboard Encoder Sheet 7 09845-66532

Clear	↕	CLF	End
-------	---	-----	-----

←	Home	→
---	------	---

stop	Del Ln	Ins Ln	PrC All
------	--------	--------	---------

Tab set	Tab clear	Typing
---------	-----------	--------

Recall chr	Del chr	Ins chr	Auto se
------------	---------	---------	---------

Roll	↓	Roll
------	---	------

k0	k1	k2	k3	k4	k5	k6	k7
----	----	----	----	----	----	----	----

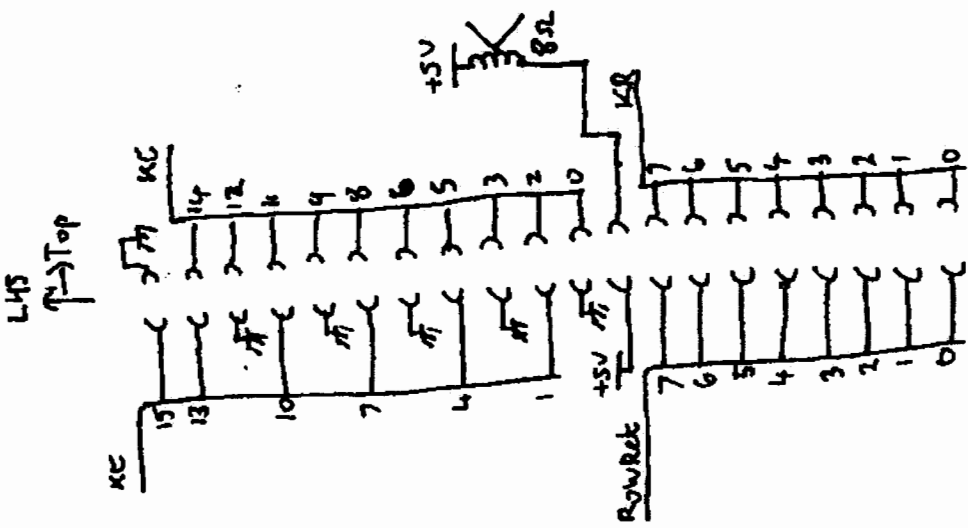
k8	k9	k10	k11	k12	k13	k14	k15
----	----	-----	-----	-----	-----	-----	-----

TAB	1	2	3	4	5	6	7	8	9	0	+	=	BACK SPACE
Control	Q	W	E	R	T	Y	U	I	O	P	[]	~
Shift Lock	A	S	D	F	G	H	J	K	L	;	'	store	
Shift	Z	X	C	V	B	N	M	<	>	,	/	Shift	Repeat
Space Bar													

Stop	Run	PAUSE	CONT
Clear Line	E	()
Result	7	8	9
=	4	5	6
EXP	1	2	3
EXP	0	.	/
			+

a: latching switch
b: 3 state switch

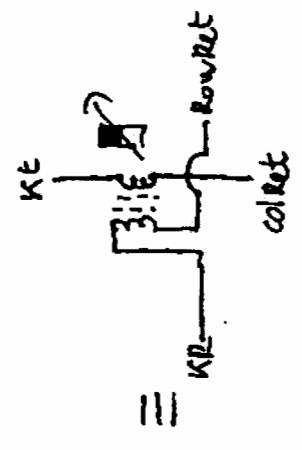
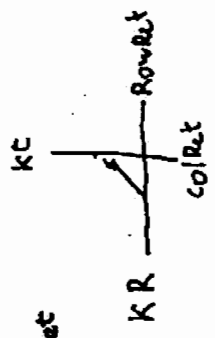
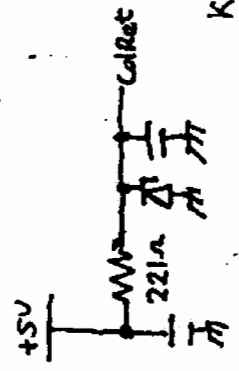
HP9845B Keypads



(Encoder PCB)

Notes:

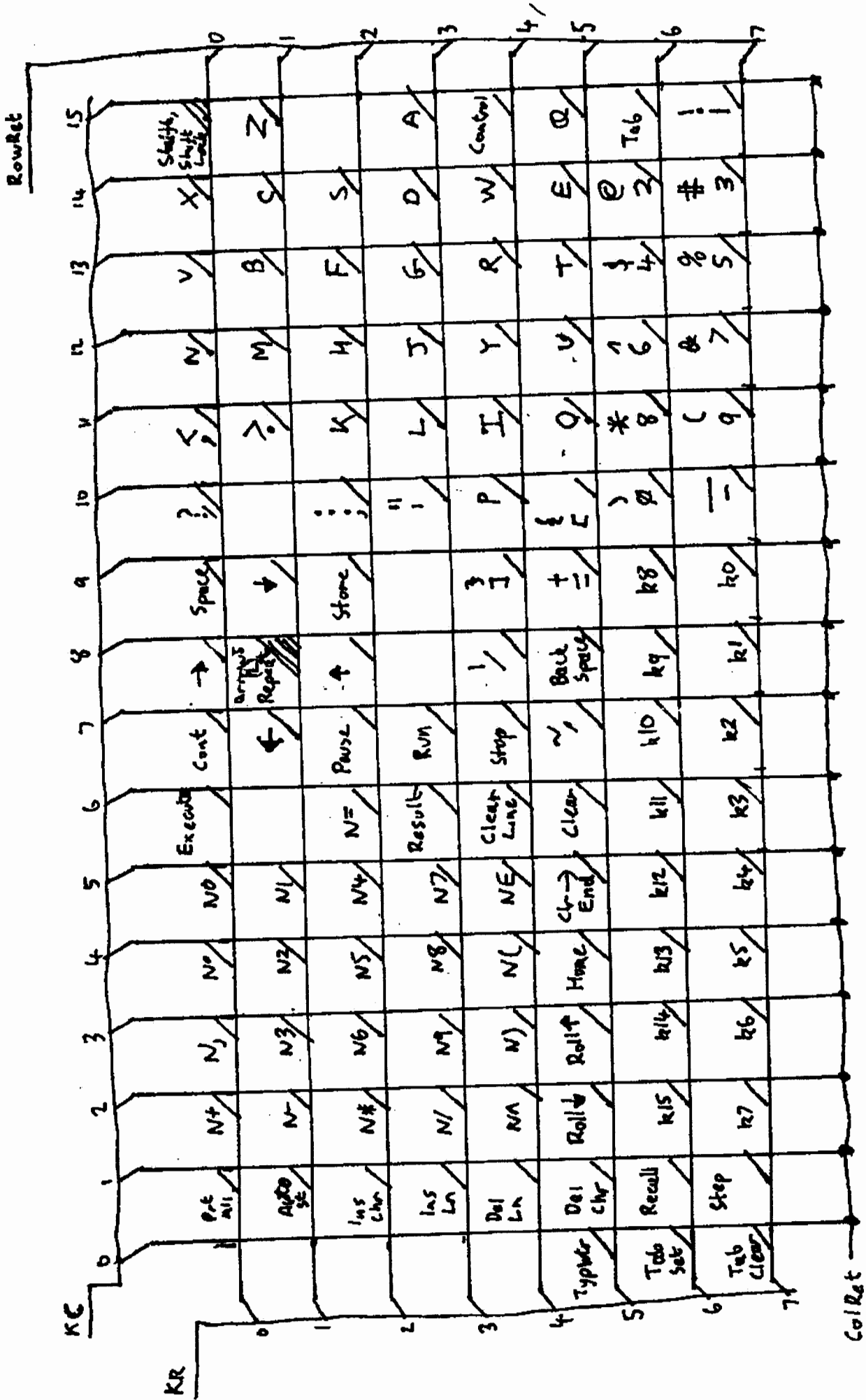
- 1) Matrix Diagram does not show electrical order of drive / sense loops
- 2) Shift lock and both shifts wired in series at (15,0)
- 3) Lower loop of all arrows and repeat wired in series at (8,1)
- 4) 120 keytops, 118 Matrix locations used

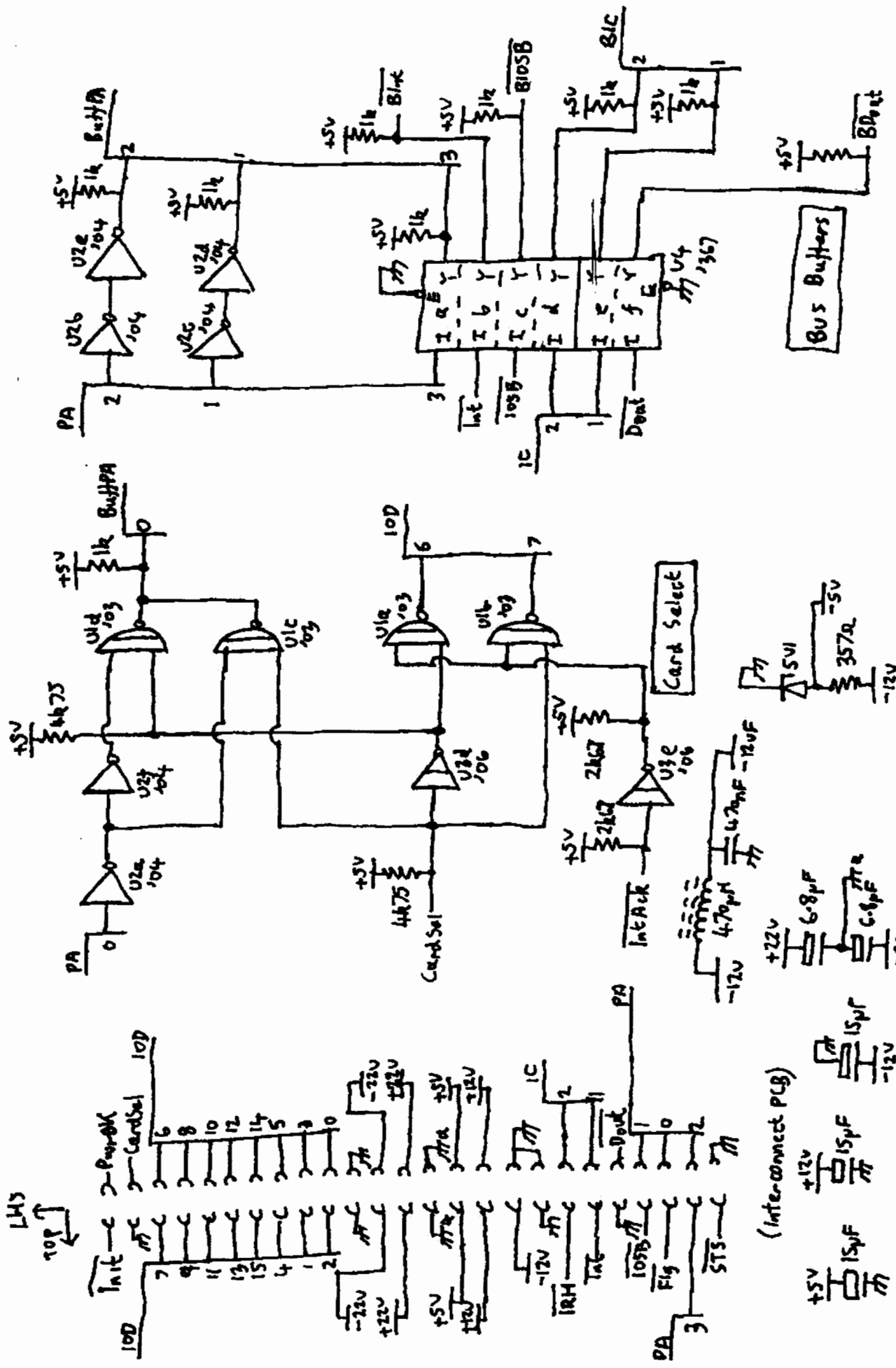


- Rear ↑
- 0 - KC(5)
 - 0 - KC(6)
 - 0 - KC(7)
 - 0 - KC(8)
 - 0 - KR(1)
 - 0 - KR(2)
 - 0 - KR(2)
 - 0 - KC(4)
 - 0 - KC(9)
 - 0 - KC(3)
 - 0 - KC(2)
 - 0 - KR(5)
- LH
- KC(0) - 0
 - KR(5) - 0
 - KC(8) - 0
 - KC(5) - 0
 - KC(7) - 0
 - KC(4) - 0
 - KC(9) - 0
 - KC(3) - 0
 - KR(0) - 0
 - KR(0) - 0
 - KR(1) - 0
 - KC(2) - 0

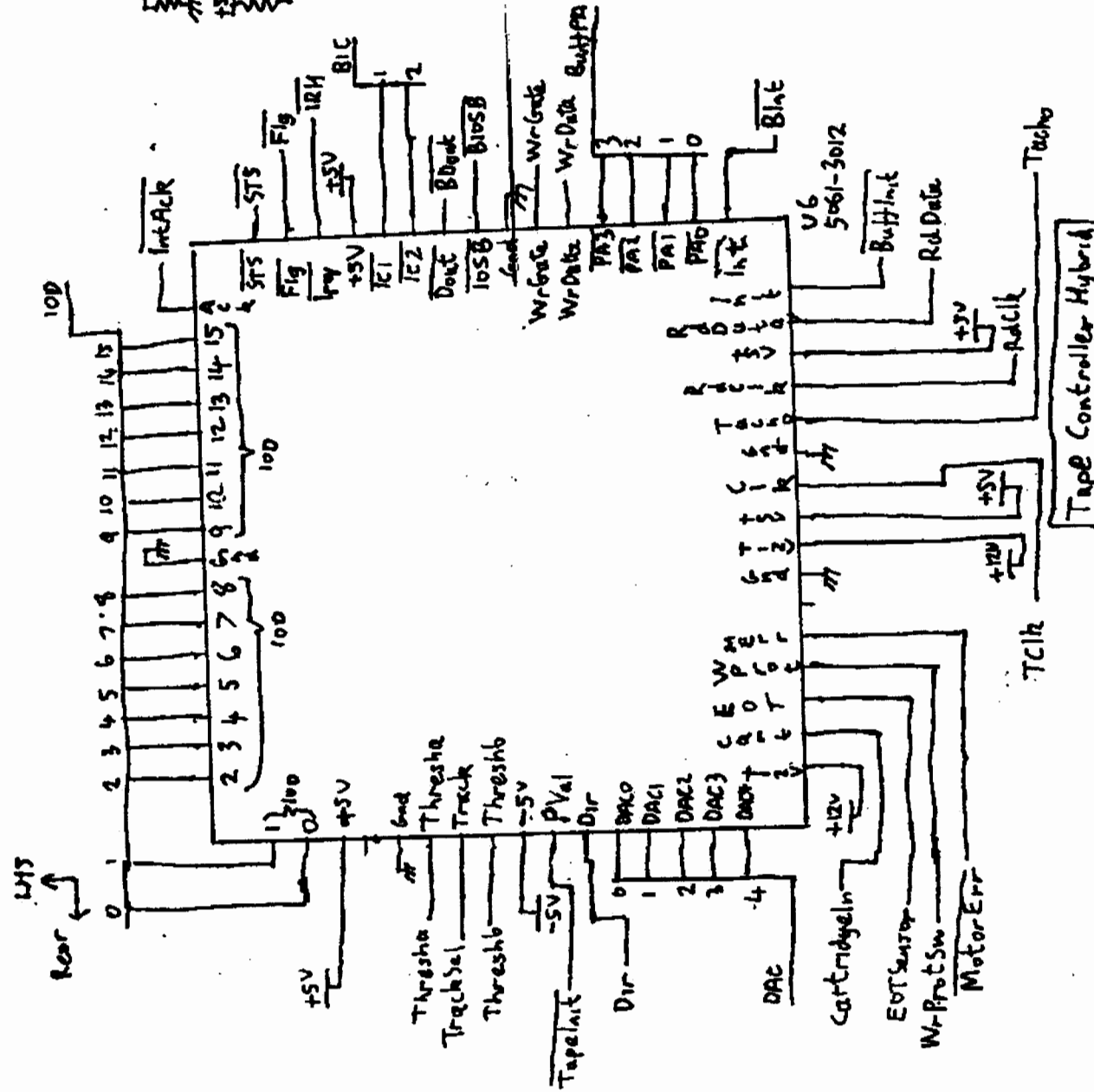
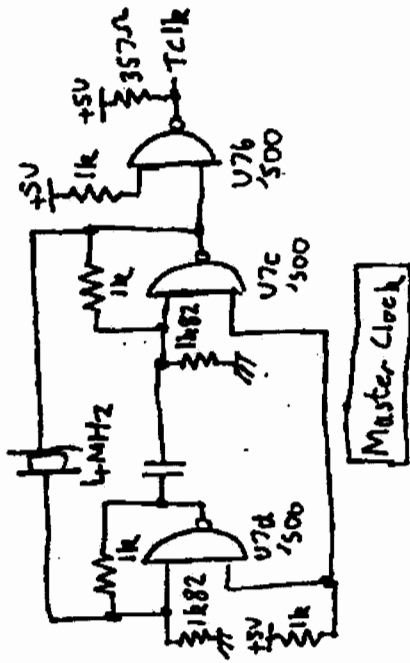
Solder Pins to Daughter-board

09845-66531





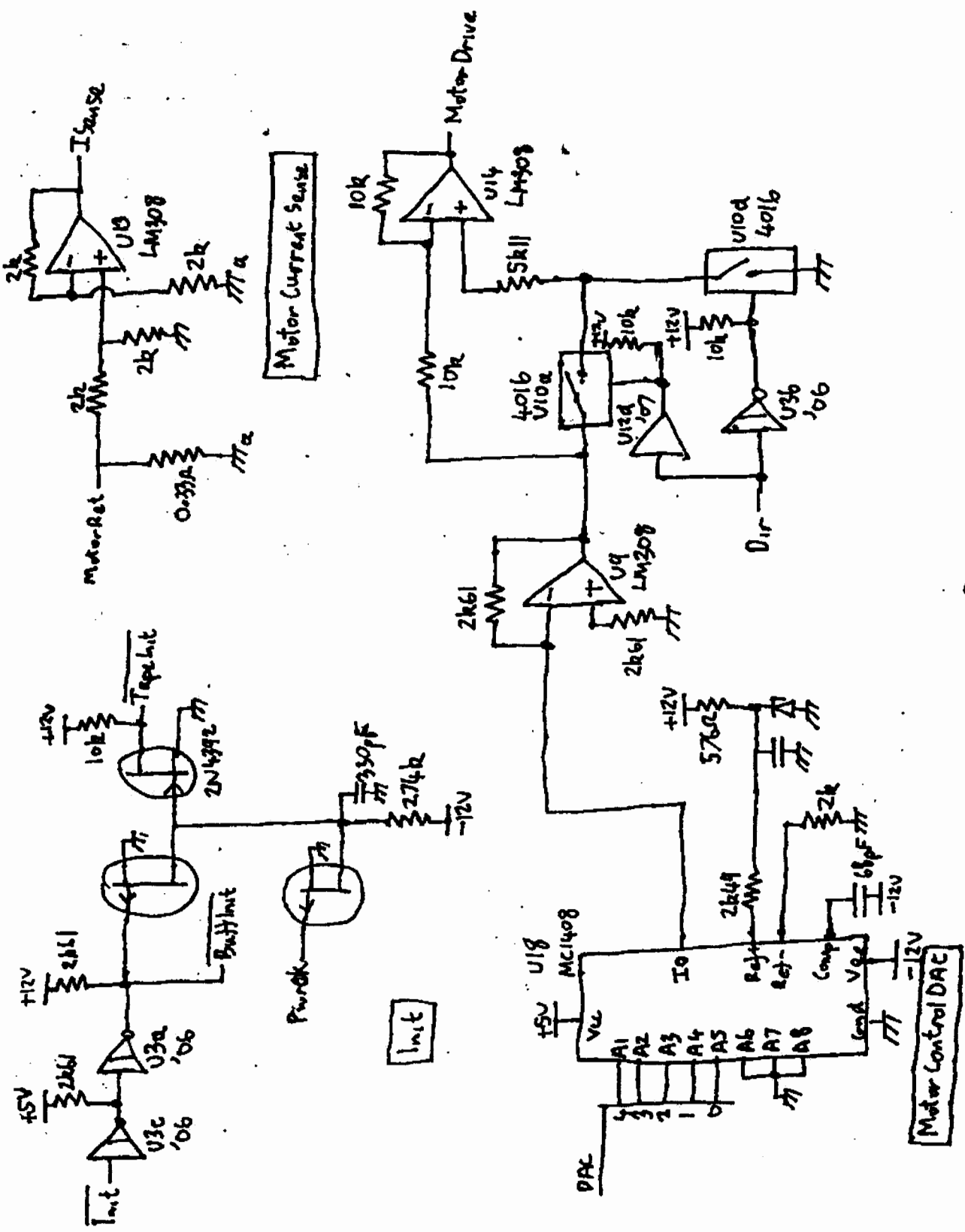
HP9845 Tape Controller sheet 1 09845-66561

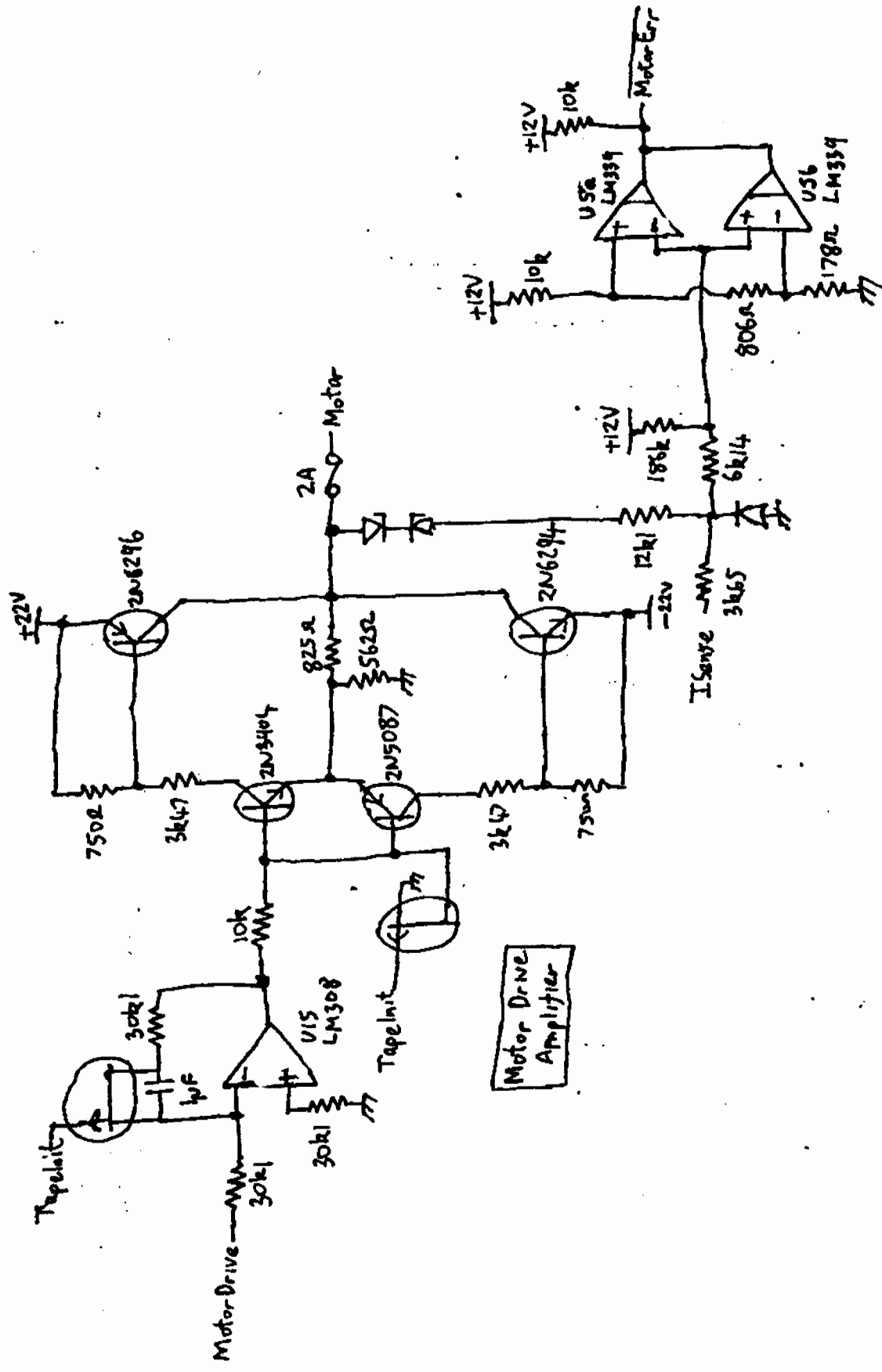


09845-66561

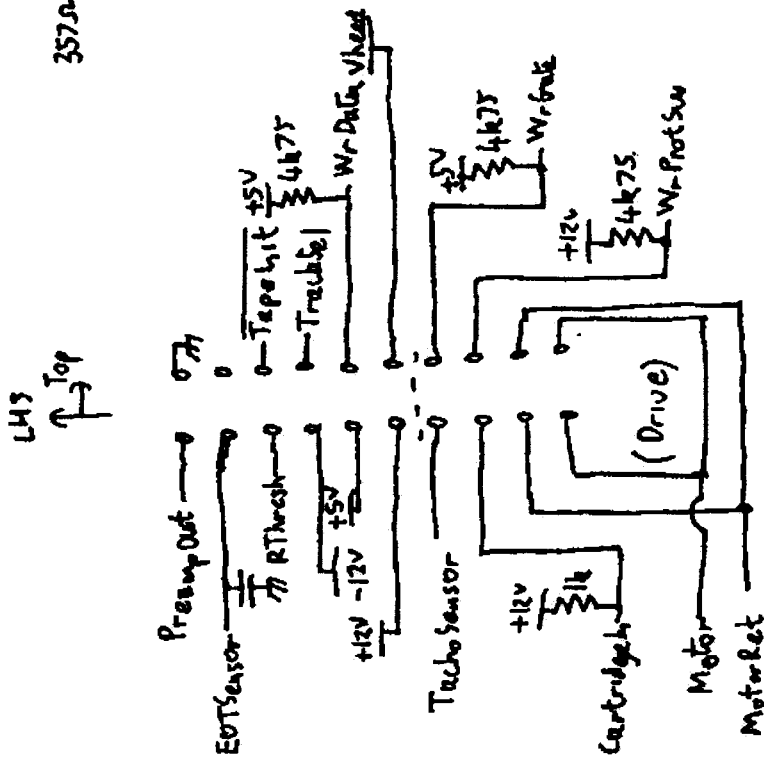
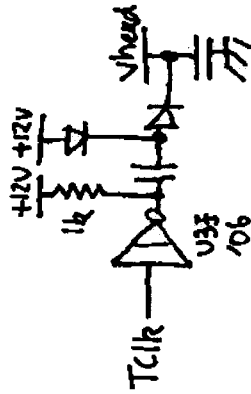
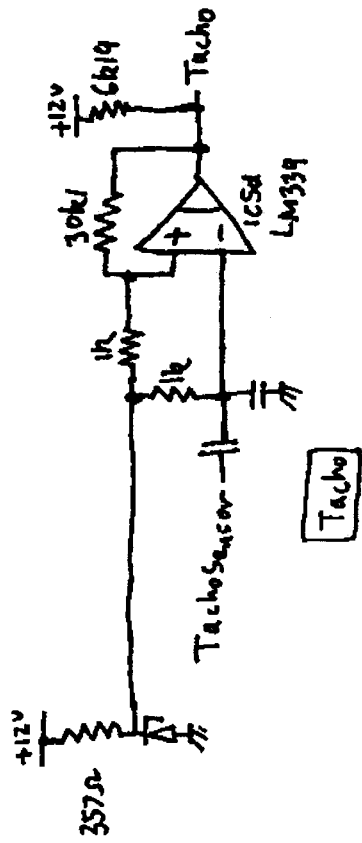
Tape Controller Hybrid

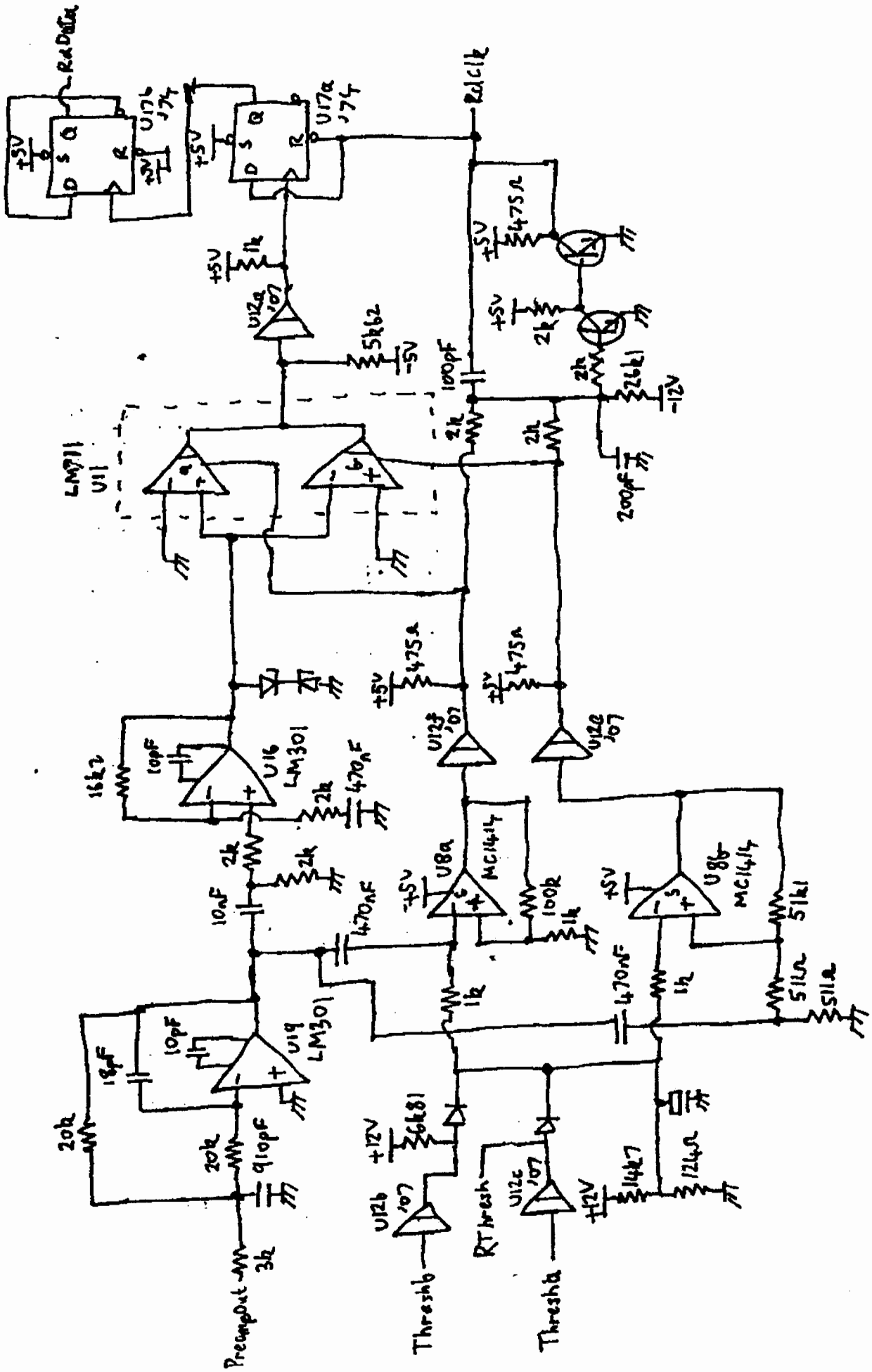
HP9845 Tape Controller sheet 2

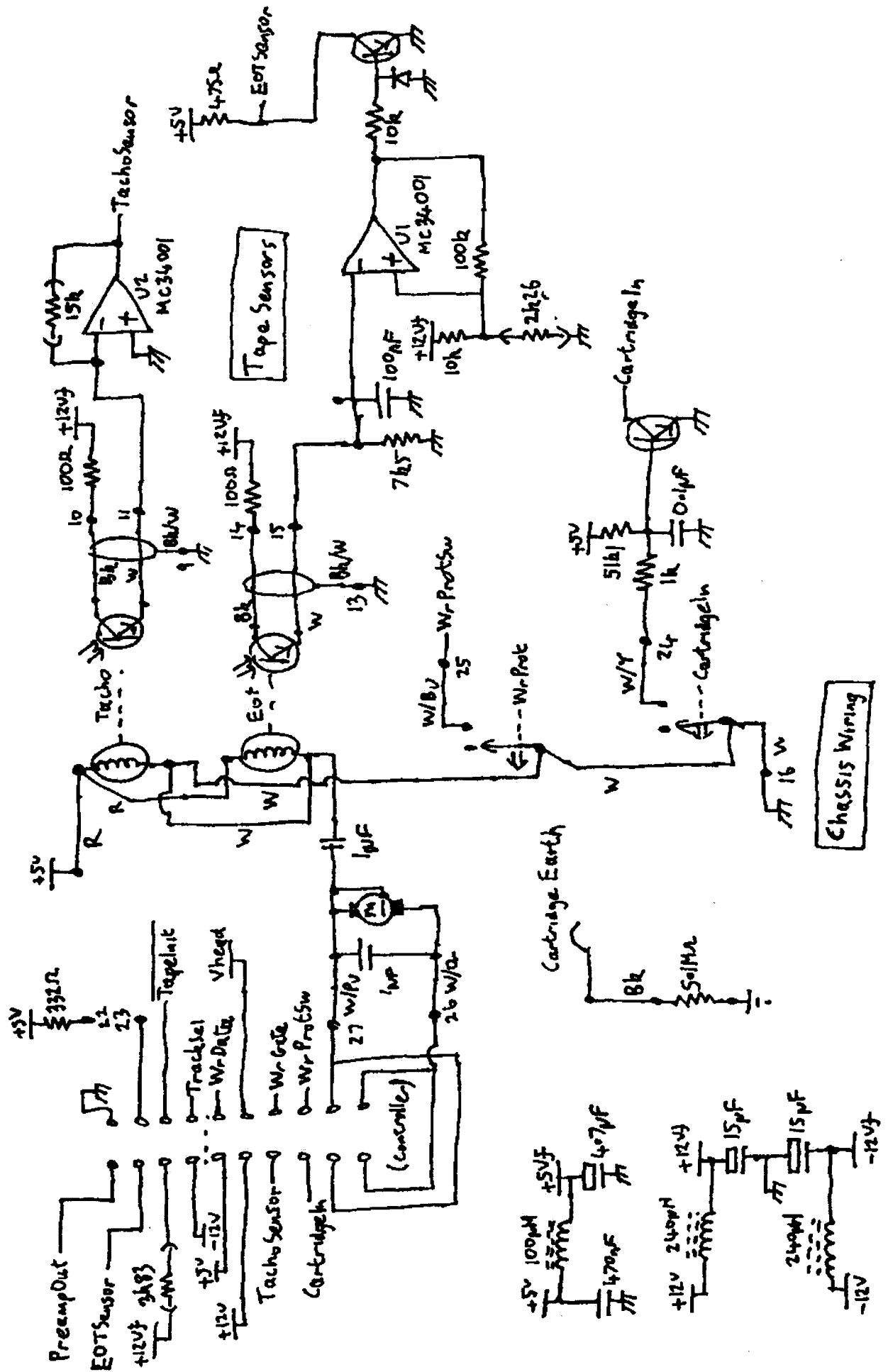




HP9845 Tape Controller sheet (4) 09845-66561







MP 9845 Tape Drive Sheet 1 09815-66504

