

Hewlett-Packard System 45 Desktop Computer

System Exerciser



System Exerciser



HP System 45 Desktop Computer



Hewlett-Packard Desktop Computer Division
P.O. Box 301, Loveland, Colorado 80537
(For World-wide Sales and Service Offices see back of manual.)
Copyright by Hewlett-Packard Company 1978

Table of Contents

Chapter 1: Exerciser Selection

Introduction	1
Starting Procedure	2
Exerciser Selection	3
Exerciser Limitations	4

Chapter 2: Internal Mainframe Exercisers

Selection	5
Exerciser Description	5
System 45 Memory Exerciser	5
System 45 Display Exerciser	6
System 45 Tape Exerciser	6
System 45 Printer Exerciser	6
System 45 Graphics Exerciser	6
Entering Your Choice	7
Multiple Exerciser Entries	7
Continuing Onward	7
Exerciser Results	7
Memory Exerciser	8
Display Exerciser	8
Tape Exerciser	10
Printer Exerciser	12
Graphics Exerciser	13

Chapter 3: Peripheral Exercisers

Selection	15
Exerciser Description	16
7905A	16
7906A	16
7920A	16
9866A	16
9866B	16
9871A	16
9874A	16
9883A	16
9884A	16

Entering Your Choice	17
Multiple Exerciser Entries	17
Continuing Onward	17
Exerciser Results	18
Disc Drive Exercisers	18
9866A/B Thermal Printer Exerciser	20
9871A Character Impact Printer Exerciser	21
9874A Digitizer Exerciser	23
9883A Paper Tape Reader Exerciser	25
9884A Paper Tape Punch Exerciser	25
Chapter 4: Interface Exercisers	
Selection	27
Exerciser Description	28
98032A	28
98033A	28
98034A	28
98035A	29
98036A	29
98040A	30
Entering Your Choice	30
Multiple Exerciser Entries	30
Continuing Onward	31
Exerciser Results	31
98032A 16 Bit I/O Interface Exerciser	32
98033A Binary Coded Decimal Interface Exerciser	33
98034A HP-Interface Bus Exerciser	34
98035A Real Time Clock Interface Exerciser	36
98036A RS-232 Interface Exerciser	38
98040A Incremental Plotter Interface Exerciser	40
Appendix: System Exerciser Table	43
Index	46
Sales and Service	49



Chapter 1

Exerciser Selection

Introduction

The programs on the System Exerciser Cartridge (P/N 09845-90043) are designed to assure you that your System 45 is operating properly. They are not intended to diagnose problems. If any exerciser which is described in this manual fails, please contact your local HP Sales and Service Office. Office locations are listed at the back of this manual.

The exercisers are divided into three parts –

- System 45 Internal Exercisers
Checks the Computer, Memory, Tape Drive, Display, Graphics and Printer.
- System 45 Peripheral Exercisers
Checks the operation of peripheral devices connected to your System 45.
- System 45 Interface Exercisers
Checks the operation of the interfaces connected to your System 45.

The internal exercisers should be run first to exercise the System 45 mainframe thoroughly before running any of the external peripheral or interface exercisers.

Starting Procedure

Before starting, use the following checklist to ensure that your system is ready for testing.

- On the computer and peripherals, check to ensure that the line voltage selector switch is set, and that the correct fuse is installed. This information can be found in the appropriate Operating Manual for each device.
- Configure the interfaces as shown for the interface exercisers in Chapter 4, if needed.
- Verify that the System 45 has its ROMs and Interfaces properly installed.
- Be sure that each peripheral is properly connected to the computer and the proper interface. When this is done, switch on the peripherals.
- On the System 45, latch the **AUTOST** key.
- Insert the Systems Test Cartridge in the right hand cartridge drive (T15) so the cartridge label faces up and out when the cartridge is installed.
- Switch on power to the System 45. The System 45 should begin to load and run the supervisory exerciser program. If this does not happen, or if the blinking cursor on the CRT does not appear within about 20 seconds after turn-on, and cannot be obtained by resetting the computer, call HP for assistance. The office locations are listed at the back of this manual.

If it is necessary, the exerciser supervisory program can also be loaded by typing

```
LOAD "AUTOST:T15" EXEC
```

The System 45 exerciser is structured so that you always return to the supervisory program after completing each section of the program.

If for some reason, you wish to terminate a portion of the exerciser while it is running, press **STOP**. Returning to the supervisory program can be accomplished by pressing **RUN**.

Exerciser Selection

When the supervisory program begins to run, the following information is displayed.

```
9845A SYSTEMS EXERCISER
Do you want PRINTED output (Y,N)?
```

At this point, the exerciser waits for you to answer Y for YES or N for NO, and then press the key.

If you answer Y (YES), the exerciser then asks -

```
Please enter the PRINTER select code . . .
```

At this point, the exerciser waits for you to answer with a select code and then press the key.

For example, if you had a 9871A Printer (HP-IB option only) with its address set to 6, connected on interface 7, enter 706 before pressing . Secondary addressing of HP-IB devices is not allowed in the system exerciser.

The exerciser is not looking for select code 16 (the CRT) to be entered. If you wish your printout to appear on the CRT, answer N (NO) to the question about the printed output.

If you enter an improper select code, the System 45 responds with

```
INCORRECT SELECT CODE
```

and then returns to the printed output question.

The choices of the exercisers are printed on the specified printer.

The choices are -

COMP	7920A	98032A
MEMORY	9866A	98033A
DISPLA	9866B	98034A
TAPE	9871A	98035A
PRNTR	9874A	98036A
GRPHC	9883A	98040A
7905A	9884A	
7906A		

HP Computer Museum
www.hpmuseum.net

For research and education purposes only.

4 Exerciser Selection

An asterisk (*) appearing before any of the options (PRNTR or GRPHC) shows that the particular option is not installed.

The first six choices are the internal mainframe exercisers, these are represented by words. There are 9 external peripheral exercisers, these have 4 digit model numbers. The remaining six choices are the interface exercisers. The interface exercisers begin with the 980 for the first three digits.

The System 45 waits for you to select the specific exerciser followed by the select code and parameters when needed.

Exerciser Limitations

The Systems Test allows you to enter up to eight (8) exercisers. The maximum number of repetitions for each exerciser is 25.

With all exercisers that have a choice between a LONG and a SHORT exerciser version, pressing without either parameter results in the SHORT exerciser being run.

Chapter 2

Internal Mainframe Exercisers

Selection

There are five internal mainframe exercisers –

- Memory Exerciser (MEMORY)
- Display Exerciser (DISPLA)
- Tape Exerciser (TAPE)
- Printer Exerciser (PRNTR)¹
- Graphics Exerciser (GRPHO)²


Selecting COMP as the model number results in all five of the exercisers being run.

Exerciser Description

The following section describes each of the mainframe exercisers.

System 45 Memory Exerciser

This exerciser performs a checksum on the System 45 ROMs and also checks the read/write memory. There are two parameters which apply to this exerciser. If the parameter "SHORT" is entered, the exerciser performs the checksum on the ROMs and a short read/write check. If "LONG" is entered, the checksum is performed and a longer check of the read/write memory occurs. The longer check takes approximately 64 minutes for 64K memory.

Error messages are output at the completion of the exerciser. Pressing any keys on the keyboard while the exerciser is running may cause an error. Pressing  aborts the exerciser, but may also cause an error.

¹ Option 500 required.

² Graphics ROM required.

NOTE

During both the short and long exercisers, the display may have a random pattern on it for a short period of time.

Not entering a parameter results in the short R/W test being run.

System 45 Display Exerciser

This exerciser tests the CRT display functions. If the parameter “ADJ” is entered, the test pattern of “He” is output to the CRT print area.

System 45 Tape Exerciser


This exerciser exercises the tape drive(s) on the System 45. It first exercises T15, and upon completion, checks for the presence of T14. If T14 is present it also is exercised.

The tape cartridge must be write enabled (tab slid to right) to properly complete this test.

System 45 Printer Exerciser

This exerciser exercises the thermal printer. There are no parameters.

System 45 Graphics Exerciser

This exerciser tests the System 45 CRT graphics. The ADJ parameter is the only parameter available for GRPHC. Its result is the entire plotting area is illuminated, for adjustment purposes. The only way out of this portion of the exerciser is to press .

Entering Your Choice

Once you have decided which exerciser(s) you wish to run, you would type it in and then press

CONT. Entering a parameter for the test is done as shown here –

```
DISPLA, ADJ CONT
```

This enters the parameter ADJ for the display test. You should note that the select code was automatically left out, it did not need an additional comma in its list.

Multiple Exerciser Entries

The System 45 exerciser can accept up to eight (8) entries at a time for its exerciser routines. Each can be delimited with the divide symbol (/).

The form is simple:

```
TAPE/GRPHC, ADJ/MEMCRY, SHORT
```

runs the Tape exerciser, followed by the Graphics exerciser followed by the R/W Memory exerciser.



Continuing Onward

Once you have selected the exerciser and pressed **CONT**, the supervisory program returns with

```
Enter # of times to run.
```

Here you would enter the number of repetitions for each exerciser. The maximum number of repetitions is 25.

Exerciser Results

After the exerciser has completed its operation, the following message is displayed –

```
0 message(s). # runs= 1 Press CONT
```

This is the total number of error messages which occurred during the total number of exerciser repetitions.

Pressing **CONT** returns you to the supervisory program.

Followed by

PRESS 'CONT' TO END THE DISPLAY EXERCISER.

If you enter DISPLA, the test result is

DISPLAY FEATURES

Followed by

THIS LINE SHOWS NO FEATURES

THIS LINE SHOWS INVERSE VIDEO

THIS LINE SHOWS BLINKING

THIS LINE SHOWS INVERSE VIDEO AND BLINKING

THIS LINE SHOWS UNDERLINING

THIS LINE SHOWS INVERSE VIDEO AND UNDERLINING

THIS LINE SHOWS BLINKING AND UNDERLINING

THIS LINE SHOWS INVERSE VIDEO, BLINKING AND UNDERLINING
 UNDERLINING IS DARK, NOT GREEN, IN THE INVERSE VIDEO MODE.

with the THIS LINE SHOWS portion having the specified features.

This is followed by the available alphanumeric character set.

	!	"	#	\$	%	&	'	()	*	+	,	-	.	/
0	1	2	3	4	5	6	7	8	9	:	;	<	=	>	?
@	A	B	C	D	E	F	G	H	I	J	K	L	M	N	O
P	Q	R	S	T	U	V	W	X	Y	Z	[\]	^	_
`	a	b	c	d	e	f	g	h	i	j	k	l	m	n	o
p	q	r	s	t	u	v	w	x	y	z	{		}	~	*

Tape Exerciser

The tape exerciser begins by prompting you with these messages

```
CREATING FILE DATA1  
CREATING FILE DATA2  
CREATING FILE DATA3  
CREATING FILE DATA4  
CREATING FILE DATA5
```

which is then followed by

```
ASSIGNING & FILLING FILE DATA1  
ASSIGNING & FILLING FILE DATA2  
ASSIGNING & FILLING FILE DATA3  
ASSIGNING & FILLING FILE DATA4  
ASSIGNING & FILLING FILE DATA5
```

followed by the various reads and writes as shown here.

```
READING FILE DATA4: 7  
READING FILE DATA4: 8  
READING FILE DATA1: 1  
READING FILE DATA3: 4  
READING FILE DATA4: 8  
WRITING FILE DATA2: 1  
WRITING FILE DATA2: 2  
READING FILE DATA3: 1  
READING FILE DATA3: 2  
READING FILE DATA3: 3  
READING FILE DATA3: 4  
READING FILE DATA4: 5  
READING FILE DATA4: 6  
READING FILE DATA4: 7  
READING FILE DATA4: 8  
READING FILE DATA1: 1  
READING FILE DATA1: 1  
WRITING FILE DATA1: 1  
READING FILE DATA1: 1  
READING FILE DATA5: 9  
READING FILE DATA5: 10  
READING FILE DATA5: 11
```



```
READING FILE DATA5: 12
READING FILE DATA5: 13
READING FILE DATA5: 14
READING FILE DATA5: 15
READING FILE DATA5: 16
READING FILE DATA4: 6
READING FILE DATA4: 7
READING FILE DATA4: 8
READING FILE DATA2: 1
READING FILE DATA2: 2
WRITING FILE DATA1: 1
READING FILE DATA3: 3
READING FILE DATA3: 4
READING FILE DATA4: 8
READING FILE DATA4: 1
READING FILE DATA4: 2
READING FILE DATA4: 3
READING FILE DATA4: 4
READING FILE DATA4: 5
READING FILE DATA4: 6
READING FILE DATA4: 7
READING FILE DATA4: 8
READING FILE DATA5: 5
```

When the T15 test is completed, the following message is displayed:

```
TAPE VERIFY DONE : T15
```

At this point, T14 is checked. If it is present, then the exerciser is re-executed for T14. If T14 is not present the exerciser continues normal operation. If your System 45 has the T14 option installed but the cartridge is not installed in the tape drive, then the following message is displayed.

```
TAPE CARTRIDGE OUT : T14 EXERCISER ABORTED
```

Followed by

```
1 message(s). # run(s) = 1 Press CONT
```


When the test is complete, the message

```
0 message(s). # run(s) = 1 Press CONT appears.
```

Graphics Exerciser

The Graphics exerciser consists of ten sections which takes approximately 2 1/2 minutes to run.

The sections, and their approximate times are:

Section	Approximate Time in Seconds
Overhead	20
Full Plotting Area On	17*
Full Plotting Area Off	11
Vertical Lines #1	18
Vertical Lines #2	3
Pattern #1	21
Pattern #2	20
Plotted Points	5
Cursor	14
Plotted Points	3

* ADJ stops the exerciser here.

And, as with all the exercisers, you receive the following message when the exerciser is through.

```
0 message(s). # run(s)= 1 Press CONT
```


Chapter 3

Peripheral Exercisers

Selection

There are nine (9) peripheral exercisers -

- 7905A Disc Drive
- 7906A Disc Drive
- 7920A Disc Drive
- 9866A Thermal Printer
- 9866B Thermal Printer
- 9871A Character Impact Printer
- 9874A Digitizer¹
- 9883A Paper Tape Reader¹
- 9884A Paper Tape Punch¹

¹ I/O ROM Required.

Exerciser Description

7905A

The 7905A exerciser performs a checkread on the disc.

7906A

The 7906A exerciser performs a checkread on the disc.

7920A

The 7920A exerciser performs a checkread on the disc.

9866A

The 9866A exerciser checks the 9866A for proper character generation.

9866B

The 9866B exerciser checks the 9866B printer for proper character set generation and checks the printout by generation of a binary pattern.

9871A

The 9871A exerciser checks the 9871A printer's character set and its plotting ability.

9874A

The 9874A exerciser checks the internal electronics of the digitizer, the audio tone generation system and the digitizing capability of the 9874A.

9883A

The 9883A exerciser checks the operation of the paper tape reader.

9884A

The 9884A exerciser checks the operation of the paper tape punch.

Entering Your Choice

Once you have decided which exerciser(s) you wish to run, type it and then press .
Entering a parameter for the test is done as shown here –

9866A, 6, ADJ

Multiple Exerciser Entries

The System 45 exerciser can accept up to eight (8) entries at a time for the exerciser routines. Each exerciser can be delimited with the divide symbol (/).

The form is simple:

9871A, 6/9866B, 2

runs the 9871A test followed by the 9866B test.

Continuing Onward

Once you have selected the exerciser and pressed the supervisory program returns with

Enter # of times to run.

Here you would enter the number of repetitions for each exerciser. The maximum number of repetitions is 25.


Some exercisers require the linking of programs. This linking is done automatically, but it does result in tape motion. Wait until the TEST COMPLETE message is output before terminating an exerciser.

Exerciser Results

After the exerciser has completed its operation, the following message is displayed –

```
0 message(s). # run(s)= 1 Press CONT
```

This is the total number of error messages which occurred during the total number of exerciser repetitions.

Pressing  returns you to the supervisory program.

Disc Drive Exercisers

The disc drive exercisers are used with the 7905A, 7906A and 7920A disc drives. The exercisers typically take the following amounts of time to run –

7905A	15 seconds
7906A	15 seconds
7920A	1 minute

Each exerciser performs a checkread on the disc surface by reading the data on the disc surface and generating a checksum. This checksum is compared with the checksum recorded on the disc to verify the data.

When the prompt

```
Enter MODEL # , select code, and desired parameters...
```

appears, you must enter the following information

Model number , interface select code and the bus address , unit number , surface to be checked [, continuous operation option]

- The model number can be either 7905A, 7906A or 7920A.
- The interface select code and the bus address are entered together as a three or four digit number. The interface select code can be a one or two digit number which represents a valid select code. The bus address **must** be a two digit number. For example, a disc on interface 12 with a bus address of 0 would be entered as 1200, or else an `ERROR 180` is generated.
- The unit number has an acceptable range of 0 thru 7.

- The head surface to be verified has the following limits –

7905A	0 thru 2
7906A	0 thru 3
7920A	all heads are exercised

- The continuous operation option is requested by using the letter C as the parameters.

NOTE

You can **not** skip mandatory parameters on the disc exercisers. If you wish to run the 7920A exerciser continuously you must enter a value for the head surface to be verified even though all head surfaces are being checked.

If you enter the continuous operation option, the parameter for the number of runs prompt is ignored.

The continuous operation option is exited by pressing `ESC`.

When an exerciser is complete, the message

```
MEDIA VERIFY COMPLETE
```

is displayed, followed by a message like

```
0 message(s). # run(s) = 1 Press CONT
```


9874A Digitizer Exerciser

The 9874A Digitizer exerciser is an interactive exerciser which typically takes between four and six minutes to run. The variance in the run times is due to the amount of time which you take to press the various buttons and position the cursor.

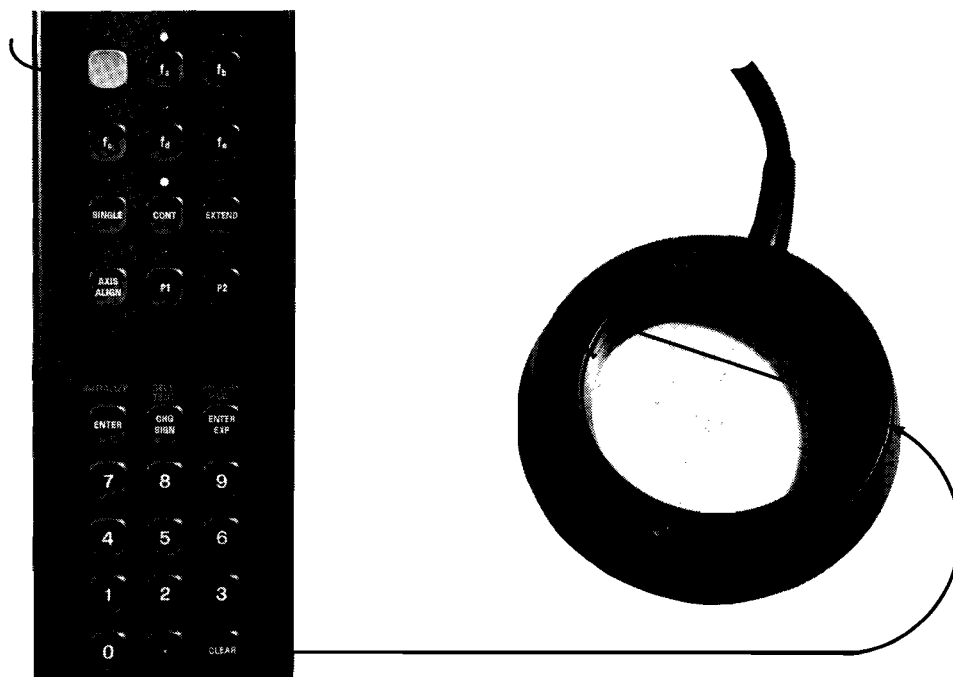
The first display of the exerciser on the System 45 is

```
Watch the digitizer display.
```

This is followed by the 9874A completing its internal electronics checks. There are two checks made here, taking approximately two minutes. This is followed by the 9874A momentarily lighting all of the LED segments in the display sequentially. You should verify that all of the character segments light up.

The second portion of the exerciser checks each of the indicator LED's beginning with the one on the cursor, and then sequentially from the top row of the 9874A keyboard to the bottom row.

The third portion of the exerciser requires that the digitizer's keyboard switches be depressed sequentially. The following photos show the proper sequence, in addition to the display prompt on the digitizer's keyboard display.



The first keyboard prompt is

```
PRESS SHIFT
```

which is located in the upper-left hand corner of the digitizer keyboard.

If a key is malfunctioning or if you should depress the wrong key, the 9874A beeps and directs you to depress the key again. This prompting sequence can be repeated up to four additional times before the exerciser aborts.

After the keyboard keys are depressed, the prompt directs you to depress the two remaining keys on the cursor. You are first prompted to

```
PRESS DIG
```

which is the D key on the digitizer cursor. If your 9874A is configured with the stylus, press the stylus down. The next prompt is

```
PRESS VAC
```

which refers to the A key on the cursor. This prompt does not appear if you have the stylus installed.

The last portion of the exerciser checks the digitizing capability of the 9874A. The System 45 prompts you with

```
Place the cursor or stylus on the platen.
```

followed by

```
Press the digitize switch, and locate X=0, y=0.
```

At this point, you should have placed the cursor or stylus on the platen, and pressed the D switch on the cursor. You now must locate the X,Y intersection of 0,0 which is located at the center of the platen. Both the System 45 and the 9874A display the current X,Y coordinates of the cursor or stylus. The X coordinate is the first coordinate value in the 9874A display, with the Y coordinate being displayed at the right hand side of the display.

If you have the cursor, it may be necessary for you to depress the A switch on the cursor to move the cursor along the platen. When point 0,0 (± 10) is located, the 9874A generates an audio tone pattern.

When the 9874A exerciser is complete, the System 45 displays

```
9874A EXERCISER PASSED.
```

followed by the message

```
0 message(s). # run(s)= 1 Press CONT
```

9883A Paper Tape Reader Exerciser

The 9883A Paper Tape Reader Exerciser takes approximately 2 minutes to run.

The exerciser prompts you with

```
"LOAD THE PAPER TEST TAPE, PRESS CONTINUE."
```

At this time, you should load the tape (P/N 09883-90030) which was shipped with your 9883A. When the tape has been loaded, simply press , and the tape is read.

When the exerciser is complete, the message

```
"9883A TEST PASSED."
```

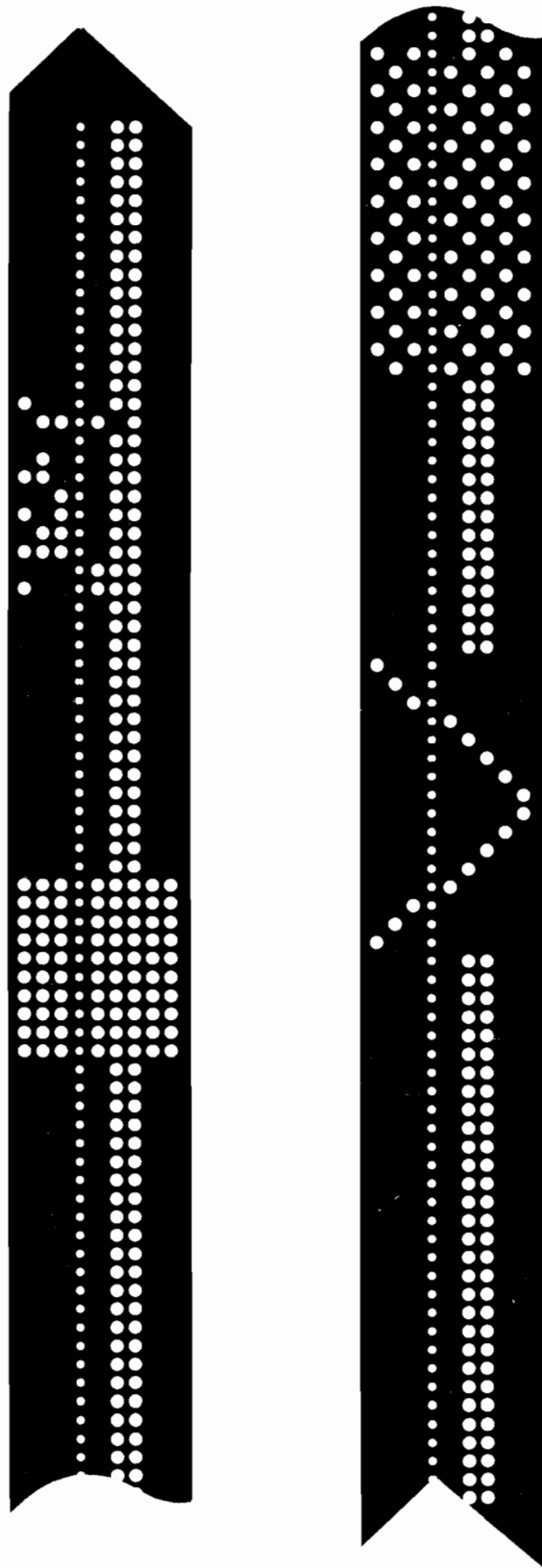
is displayed.

9884A Paper Tape Punch Exerciser

The 9884A Paper Tape Punch Exerciser takes approximately ½ minute to run. The actual punching of the tape only takes about four seconds.

There are no parameters to select for this exerciser.

The punched tape is shown on the following page.



Chapter 4

Interface Exercisers

Selection

There are six interface exercisers –

- 98032A 16 Bit Interface
- 98033A Binary Coded Decimal Interface (BCD)
- 98034B HP-IB Interface (IEEE 488-1975)
- 98035A Real Time Clock Interface
- 98036A RS 232 Interface
- 98040A Incremental Plotter Interface

The operation of the interface systems exerciser requires that special interface cards be installed to adequately check the specified interface.

CAUTION

ANY INTERFACE CONFIGURATION OR CONNECTION SHOULD BE DONE WITH POWER OFF TO THE SYSTEM 45 AND THE INTERFACES. FAILURE TO DO THIS MAY DAMAGE THE EQUIPMENT.

If you do not configure these special interface cards, running a peripheral exerciser successfully may be adequate to determine if the interface is good.

The interface exercisers **do require** that the I/O ROM be loaded into your System 45.

Exerciser Description

98032A

The 98032A 16 Bit Interface exerciser performs three different checks on the 98032A card.
The checks are -

- Data Patterns
- I/O Line
- Extended Control and Status

98033A

The 98033A Binary Coded Decimal Interface exerciser checks the 98033A card.

98034A

The 98034A HP-IB Interface exerciser performs eleven different checks on the 98034A card.
The checks are -

- Status
- Control Byte
- Self Address
- Handshake
- Data Transfer1
- Data Transfer2
- Pass Control
- External Address
- Service Request
- Interrupt
- Parallel Poll

98035A

The 98035A Real Time Clock Interface exerciser performs nine different checks on the 98035A card. The checks are -

- Format
- Clock Hardware
- Read
- Illegal Format
- Interrupt and A, D, P Check
- Interrupt
- C, G, H, I-1, 2, V Check
- L, N
- A, D, F, M, O, P Check



98036A

The 98036A RS-232 Interface exerciser performs three different checks on the 98036A card. The checks are -

- Default Modes
- Mode Check
- R6 Testing

98040A

The 98040A Incremental Plotter Interface exerciser checks the various pen control functions on the 98040A card. The checks are -

- +X
- X
- +Y
- Y
- Pen Up
- Pen Down

Entering Your Choice

Once you have decided which exerciser(s) you wish to run, you would type its name and then press as shown here -

```
98036A, 3 
```

All of the interface exercisers require a select code to be entered as well as the MODEL #, or else the System 45 responds with the message

```
Please EDIT incorrect select code:
```

Multiple Exerciser Entries


The System 45 exerciser can accept up to eight (8) entries at a time for its exerciser routines. Each can be delimited with the divide symbol (/).

The form is simple:

```
98032A, 2/98034A, 7/98035A, 5
```

runs the 98032 exerciser, followed first by the 98034A exerciser then the 98035A exerciser.

Continuing Onward

Once you have selected the exerciser and pressed  the supervisory program returns with

```
Enter # of times to run.
```


Here you would enter the number of repetitions for each exerciser. The maximum number of repetitions is 25.

Exerciser Results

After the exerciser has completed its operation, the following message is displayed –

```
0 message(s). # run(s) = 1 Press CONT
```

This is the total number of error messages which occurred during the total number of exerciser repetitions.

Pressing  returns you to the supervisory program.

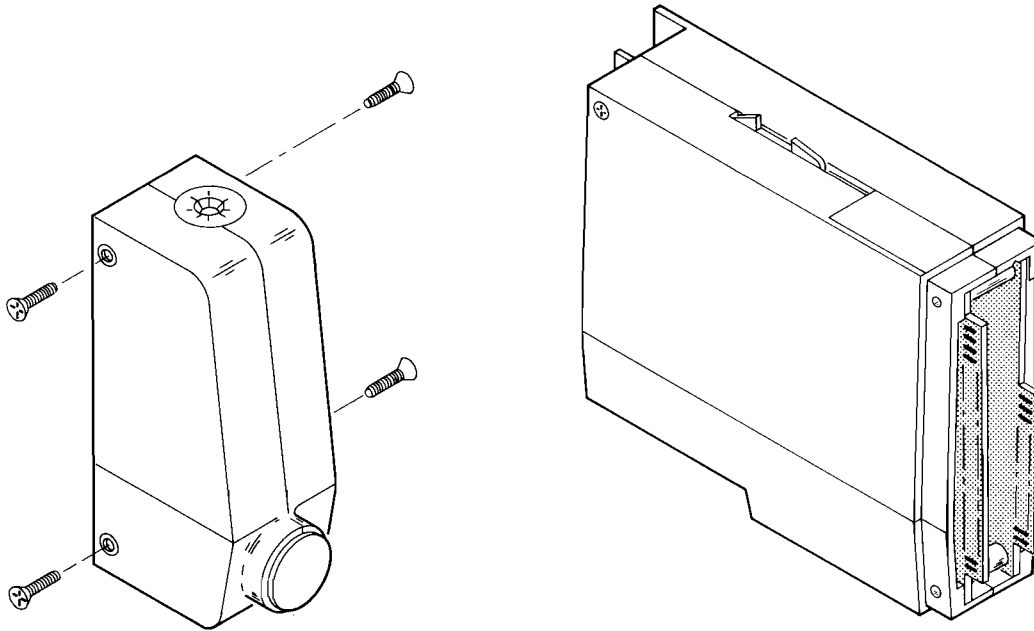
Some of the interface exercisers require the linking of programs from the test tape. This is done automatically, so don't be alarmed by any tape motion. Always wait for the exerciser to display its message of

```
0 message(s). # run(s) = 1 Press CONT
```

before conducting your next exerciser.

98032A 16 Bit I/O Interface Exerciser

This exerciser takes approximately 5 minutes to run. To configure the interface, remove the Peripheral Configuration Assembly and install the Test Connector (P/N 98241-67932).



If you select the 98032A interface exerciser, the following messages are displayed, in this sequence.

```
DOING 98032A DATA PATTERNS TEST
```

```
DOING I/O LINE TEST
```

```
DOING EXTENDED CONTROL AND STATUS
```

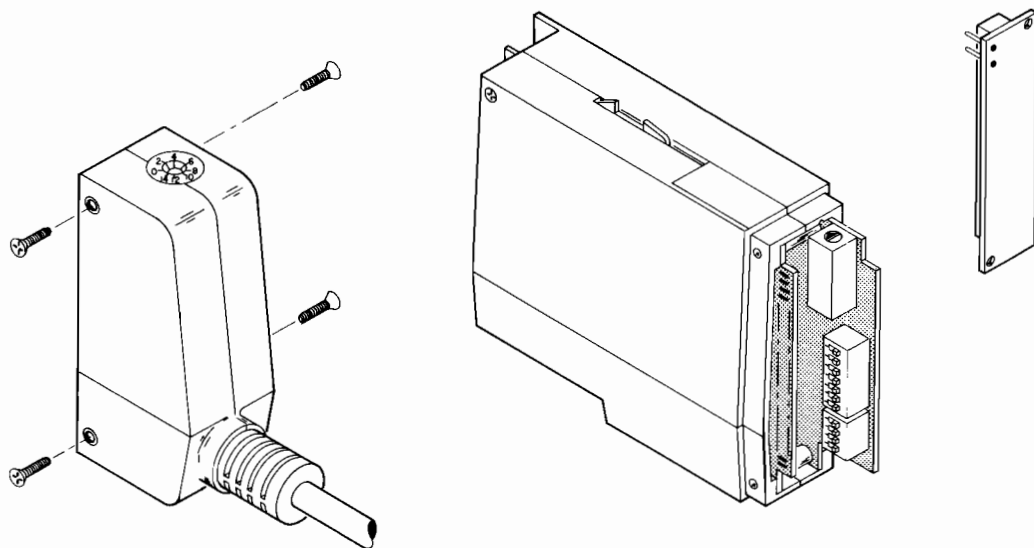
```
98032A TEST COMPLETE
```

Followed by the number of messages and the number of repetitions of the exerciser as shown here.

```
0 message(s). # run(s) = 1 Press CONT
```

98033A Binary Coded Decimal Interface Exerciser

This exerciser takes approximately 4 minutes to run. To configure the interface, remove the rear housing and install the Test Connector (P/N 98241-67933) and set all of the configuration switches to OFF (refer to the 98033A BCD Interface Installation and Service Manual).



If you select the 98033A interface exerciser, the following messages are displayed in this sequence.

```
98033A BCD INTERFACE TEST
```

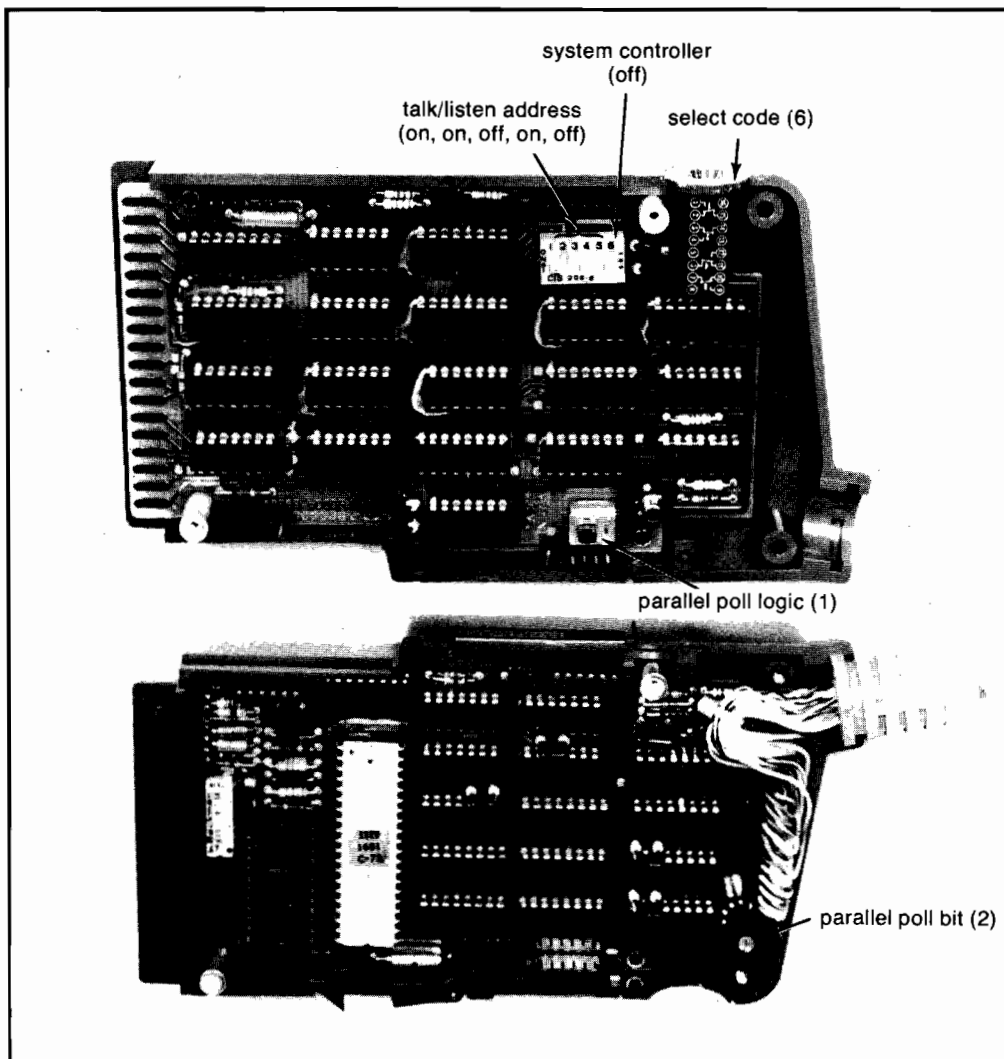
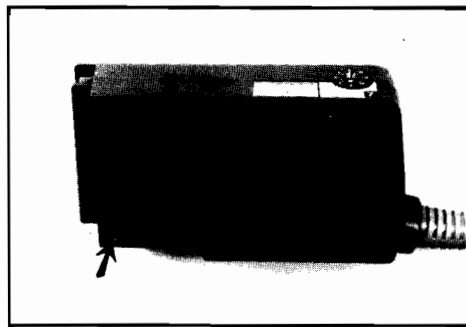
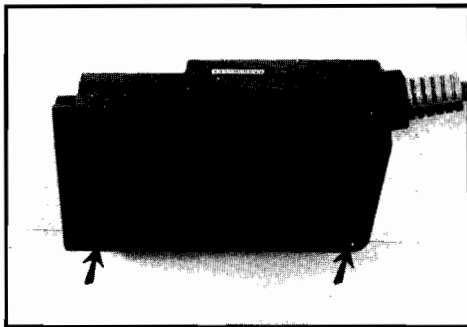
```
98033A TEST COMPLETE
```

Followed by the number of messages and the number of exerciser repetitions, as shown here.

```
0 message(s). # run(s)=1 Press CONT
```

98034A HP-Interface Bus Exerciser

This exerciser takes approximately 5 minutes to run. It does require that two HP-IB interfaces be connected to the System 45. One interface is a standard HP-IB interface set to the factory configuration. Factory configuration can be found in the 98034A Installation and Service Manual P/N 98034-90000. The other interface has its select code set to 6. The HP-IB test interface is configured as shown in the following photos.



Following the procedure in the Installation and Service Manual, remove the interface cover on the test interface.

Separate case halves as shown. On the 98034-66502 board, change the parallel poll bit from 1 to 2 (as shown). Note the switch positions before you change them. On the 98034-66501 board, change the talk/listen address switches to ON, ON, OFF, ON, OFF (as shown). Set the system controller switch OFF. Keep the parallel poll logic switch at the 1 position. Change the select code to 6.

Reassemble the test interface. Plug both interfaces into the back of the computer. Plug HP-IB connectors together and turn computer power ON.

If you have any questions concerning the configuration of your HP-IB interfaces, please call your Sales and Service Office.

The HP-IB interface exerciser checks the following items -

- STATUS
- CONTROL BYTE
- SELF ADDRESS
- HANDSHAKE
- DATA TRANSFER1
- DATA TRANSFER2
- PASS CONTROL
- EXTERNAL ADDRESS
- SERVICE REQUEST
- INTERRUPT
- PARALLEL POLL

As each item is tested, the current test is displayed on the CRT, as shown here.

```
STATUS TEST
```

When each item being tested is complete, then a test complete message is displayed, as shown here.

STATUS TEST COMPLETE

When the exerciser has been completed, the message

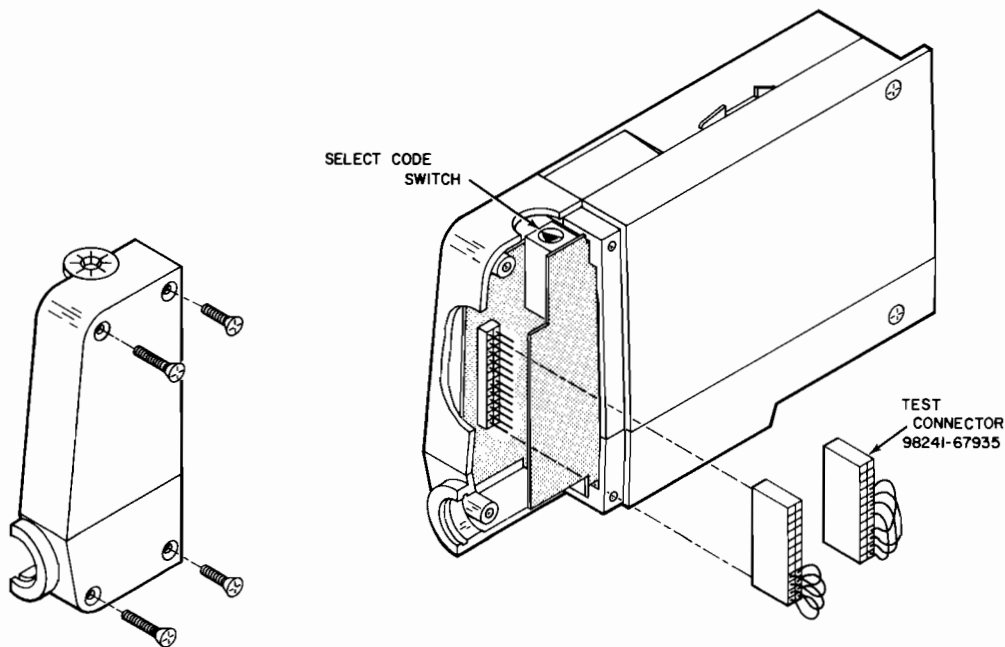
TEST COMPLETE

is displayed.

98035A Real Time Clock Interface Exerciser

The 98035A Real Time Clock exerciser takes approximately 5 minutes to run. Configure the interface as shown with the test connector installed.

If you do select this 98035A Real Time Clock Exerciser, be careful - the time setting is changed on the clock during this test. You will have to reset your 98035A Real Time Clock after running this exerciser if you want the correct time.



While running this exerciser, the following messages are displayed in this order.

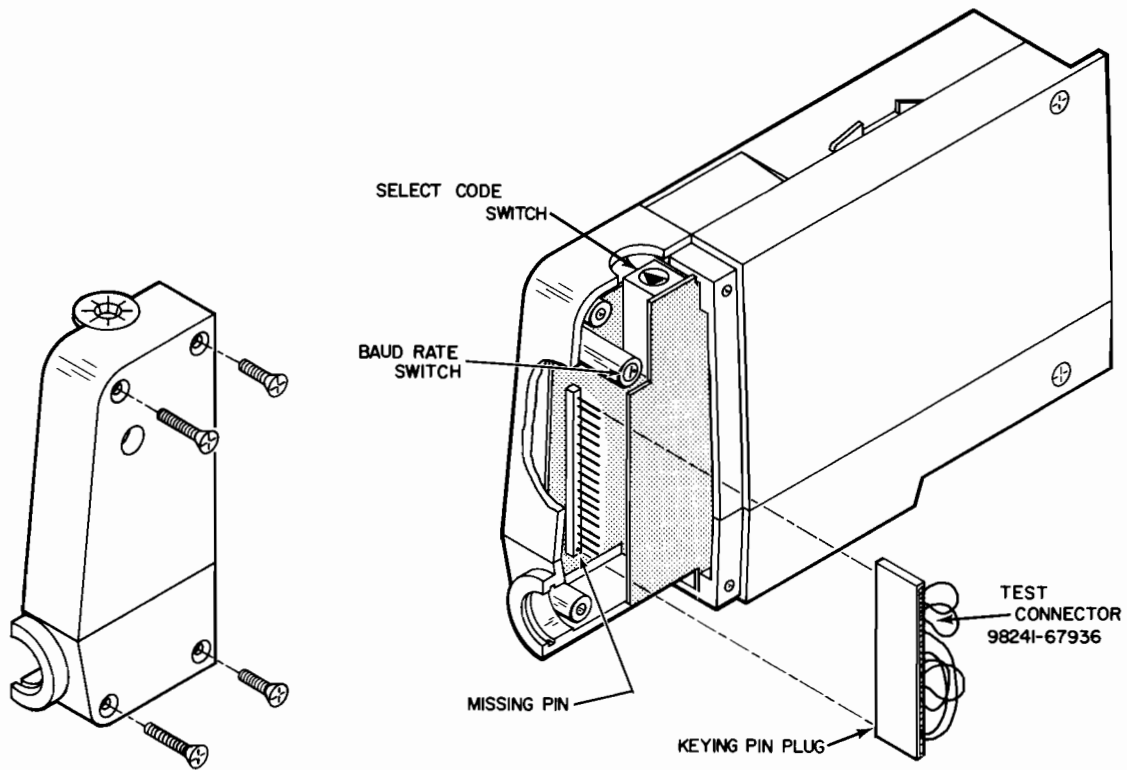
```
FORMAT TEST
TIME SET
CLOCK HARDWARE TEST
SETTING TIME
READ TEST
ILLEGAL FORMAT TEST
INTERRUPT AND A, D, P CHECK
INTERRUPT TEST <30 SECONDS
INTERRUPT TEST <30 SECONDS
INTERRUPT TEST <30 SECONDS
INTERRUPT TEST <30 SECONDS
INTERRUPT TEST <30 SECONDS
C G G I-1, 2 V CHECK
L N TEST
A, D, F, M, O, P CHECK
TEST COMPLETE
```

NOTE

Remember to reset the 98034A real time clock to the correct time after running the exerciser.

98036A RS-232 Interface Exerciser

The 98036A exerciser takes approximately 12 minutes to run. The interface should be configured as shown, with the test connector 98241-67936 installed.



There are three basic checks in this exerciser -

- Default Modes Test
- Mode Check
- R6 Testing

When the default modes test is being run, the display is -

DEFAULT MODES TEST

followed by

```
DEFAULT MODES TEST COMPLETE
```

When the mode check is being run, the display is -

```
MODE mode number status
```

The modes check consists of testing the following 97 modes -

0	114	163	214
66	115	166	215
67	118	167	218
70	119	170	219
71	122	171	222
74	123	174	223
75	126	175	226
78	127	178	227
79	130	179	230
82	131	182	231
83	134	183	234
86	135	186	235
87	138	187	238
90	139	190	239
91	142	191	242
94	143	194	243
95	146	195	246
98	147	198	247
99	150	199	250
102	151	202	251
103	154	203	254
106	155	206	255
107	158	207	
110	159	210	
111	162	211	

When the modes check is complete, the display is -

TESTING R6

The exerciser is complete when the

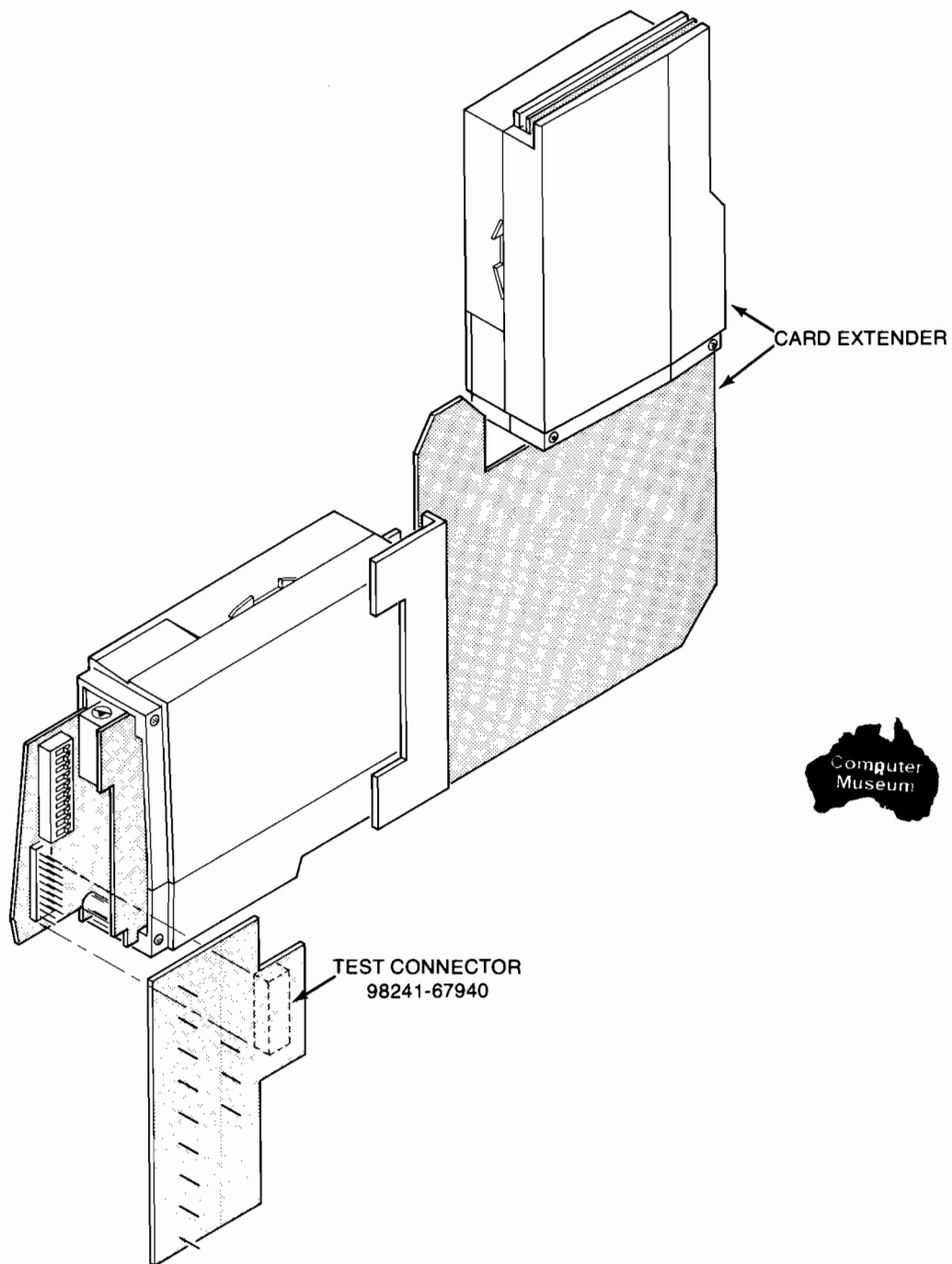
TEST COMPLETE

message is displayed.

98040A Incremental Plotter Interface Exerciser

The 98040A exerciser generates timing pulses which must be monitored with an oscilloscope. The waveforms are shown in the 98040A Incremental Plotter Interface Service Manual (HP pn 98040-90000) Chapter 3.

To configure the interface, remove the rear housing and install the test connector (HP pn 98241-67940) to the interface card. Connect the 98040A interface card to a card extender as shown.



To run the exerciser, press the appropriate SFK to generate the timing pulse.



Appendix

System 45 System Exerciser Table

Exerciser	ROM/Option Required	Items Exercised	Parameters	Typical Run Times			
				Long	Short		
COMP	Option 500 Graphics ROM & Options 300 & 700	MEMORY			7min		
		DISPLA			15 sec		
		TAPE					
		PRNTR					
		GRPHC					
MEMORY		Checksum Memory			SHORT, LONG	64 min	1 min 20 sec
DISPLA		Display Features Character Set			ADJ		1 min 15 sec
TAPE	Option 600	T15		2 min			
		T14 if available		30 sec 30 sec			
PRNTR	Option 500	Character Sets Special Printer Features		1 min 3 sec			
GRPHC 7905A 7906A 7920A	Graphics ROM	Checksum Checksum Checksum	ADJ	2 min 15 sec 15 sec 1 min			
			UNIT NUMBER Surface To Be Checked Continuous Operation (C)				

Subject Index

- a**
- Alternate Start Appendix 2
43,44,45
- c**
- Choices of Exercisers 2
- d**
- Description,7905A 16
Description,7906A 16
Description,7920A 16
Description,9866A 16
Description,9866B 16
Description,9871A 16
Description,9874A 16
Description,9883A 16
Description,9884A 16
Disc Drive Exercisers 18
Display Exerciser 5,6,8,9
- e**
- Entering the Choice 17,30
Exerciser Choices 2
Exerciser Entries, Multiple 7
Exerciser Limitations 4
Exerciser Results 7,18,31
Exerciser Selection 3,4
Exerciser Termination 2
Exerciser,7905A 15,18,19
Exerciser,7906A 15,18,19
Exerciser,7920A 15,18,19
Exerciser,9866A 15,20,21
Exerciser,9866B 15,20,21
Exerciser,9871A 15,21
Exerciser,9874A 15,23,24,25
Exerciser,9883A 15,25
Exerciser,9884A 15,25,26
- Exerciser,98032A 27,28,32
Exerciser,98033A 27,28,33
Exerciser,98034A 27,28,34,35,36
Exerciser,98035A 27,29,36,37
Exerciser,98036A 38,39
Exerciser,98040A 27,29,30,40
Exerciser,Display 5,6,8,9
Exerciser,Graphics 5,6,13
Exerciser,Memory 5,8
Exerciser,Peripherals 15
Exerciser,Printer 5,6,12
Exerciser,Tape 5,6,10,11
Exercisers,Interface 1
Exercisers,Internal 1
Exercisers,Peripheral 1
- g**
- Graphics Exerciser 5,6,13
- i**
- Index 46,47
Interface Exercisers 1,27
Internal Exercisers 1,5
- m**
- Mainframe Exercisers 5
Memory Exerciser 5,8
Multiple Entries 17,30
Multiple Exerciser Entries 7,17
- p**
- Peripheral Exercisers 1,15
Printer Exerciser 5,6,12

	r		7	
Results		7,31	7905A Exerciser	15
			7906A Exerciser	15
			7920A Exerciser	15
	s			
Starting Procedure		2		
	t			
			9866A Exerciser	15
			9866B Exerciser	15
			9871A Exerciser	15
			9874A Exerciser	15
Tape Exerciser		5,6,10,11	9883A Exerciser	15
Termination of Exerciser		2	9884A Exerciser	15



SALES & SERVICE OFFICES

AFRICA, ASIA, AUSTRALIA

HONG KONG
Schmidt & Co (Hong Kong) Ltd
P O Box 297
Connaught Centre
39th Floor
Connaught Road Central
Kowloon
Tel H-252291-5
Telex 74766 SCHMC HX
Cable SCHMIOTCO Hong Kong

ANGOLA
Teletra
Empresa Tecnica de Equipamentos
Electricos, S A R L
R Barbosa Rodrigues, 42-1 DT.
Caixa Postal, 6487
Luanda
Tel 35515/6
Cable TELETRA Luanda

AUSTRALIA
Hewlett-Packard Australia Pty Ltd
Blackburn, Victoria 3130
P O Box 36
Doncaster East, Victoria 3109
Tel 89-6351
Telex 31-024
Cable HEWPARO Melbourne
Hewlett-Packard Australia Pty Ltd
31 Bridge Street
Pymble
New South Wales, 2073
Tel 449-6566
Telex 21561
Cable HEWPARO Sydney
Hewlett-Packard Australia Pty Ltd
153 Greenhill Road
Parkside, S A 5063
Tel 272-5911
Telex 82536 ADEL
Cable HEWPARO ADELAID
Hewlett-Packard Australia Pty Ltd
141 Stirling Highway
Nedlands, W A 6009
Tel 86-5455
Telex 93859 PERTH
Cable HEWPARO PERTH
Hewlett-Packard Australia Pty Ltd
121 Wollongong Street
Fyshwick, A C T 2609
Tel 95-2733
Telex 62660 CANBERRA
Cable HEWPARO CANBERRA
Hewlett-Packard Australia Pty Ltd
5th Floor
Teachers Union Building
495-499 Boundary Street
Spring Hill, 4000 Queensland
Tel 229-1544
Cable HEWPARO Brisbane

GUAM
Medical/Pocket Calculators Only
Guam Medical Supply, Inc
Jay Eise Building, Room 210
P O Box 8947
Tamuning 96911
Cable EARMED Guam

INDIA
Blue Star Ltd
Kasturi Buildings
Jamshedji Tata Rd
Bombay 400 020
Tel 29 50 21
Telex 001-2156
Cable BLUEFROST
Blue Star Ltd
Sahas
414-2 Vir Savarkar Marg
Prabhadevi
Bombay 400 025
Tel 45 78 87
Telex 011-4093
Cable FROSTBLUE
Blue Star Ltd
Bando Box House
Prabhadevi
Bombay 400 025
Tel 45 73 01
Telex 011-3751
Cable BLUESTAR
Blue Star Ltd
7th & 8th Floor
Bhandari House
91 Nehru Place
New Delhi 110024
Tel 634770 & 635166
Telex 031-2463
Cable BLUESTAR
Blue Star Ltd
Blue Star House
11-11A Magarath Road
Bangalore 560 025
Tel 52668
Telex 043-430
Cable BLUESTAR
Blue Star Ltd
Meezashi Mandran
xxx-1678 Mahatma Gandhi Rd
Cochin 802 016
Tel 32069, 32161, 32282
Telex 0885-514
Cable BLUESTAR
Blue Star Ltd
Rao Sivaiah Campos, 53
Coppacabana
20000-Rio de Janeiro
Tel 257-80-94-DDD (021)
Telex 39-212-1905 HEWP- BR
Cable HEWPACK
Rio de Janeiro

ISRAEL
Electronics & Engineering Div.
of Motorola Israel Ltd.
17, Kremenetski Street
P O Box 25016
Tel Aviv
Tel 38973
Telex 33569
Cable BASTEL Tel-Aviv

JAPAN
Yokogawa-Hewlett-Packard Ltd
Ohashi Building
59-1 Yoyogi 1-Chome
Shibuya-ku, Tokyo 151
Tel 03-370-2281/92
Telex 232-2024YHP MARKET
TOK 23-724
Cable YHPMARKET
Yokogawa-Hewlett-Packard Ltd
Chuo Bldg, 4th Floor
4-20, Nishinakajima 5-chome
Yodogawa-ku, Osaka-shi
Osaka 532
Tel 06-304-6021
Yokogawa-Hewlett-Packard Ltd
Nakamo Building
24 Kami Sasajima-cho
Nakamura-ku, Nagoya 450
Tel (052) 571-5171
Yokogawa-Hewlett-Packard Ltd
Tanigawa Building
2-24-1 Tsuruya-cho
Kanagawa-ku
Yokohama 221
Tel 045-312-1252
Telex 382-3204 YHP YOK
Yokogawa-Hewlett-Packard Ltd
Mito Mitsui Building
105, Chome-1, San-no-maru
Mito, Ibaragi 310
Tel 0292-23-7470
Yokogawa-Hewlett-Packard Ltd
Inoue Building
1348-3, Asahi-cho, 1-chome
Atsugi, Kanagawa 243
Tel 0462-24-0452

BLUE STAR LTD
2/34 Kodambakkam High Road
Madras 600034
Tel 82056
Telex 041-379
Cable BLUESTAR

INDONESIA
BERCA Indonesia P T
P O Box 496 Jkt
JLN. Abdi Muis 62
Jakarta
Tel 40369, 49886, 49255 356038
JKT 42895
Cable BERCACDN
BERCA Indonesia P T
63 J.L. Raya Gubeng
Surabaya
Tel 44309

KOREA
Samsung Electronics Co. Ltd
20th Fl. Dongbang Bldg 250, 2-KA
C P O Box 2775
Taepyeong-Ro, Chung-Ku
Seoul
Tel (23) 6811
Cable ELEKSTAR Seoul

MALAYSIA
Teknik Mutu Sdn Bhd.
162-1, Apt. 14 Av D Luis
Casa Postal 107
Kuching, Sarawak
Tel 2400
Cable PROTEL ENG
Protel Engineering P O Box 197
Lot 259, Satok Road
Kuching, Sarawak
Tel 2400
Cable PROTEL ENG

MOZAMBIQUE
A N Goncalves, Lta
162-1, Apt. 14 Av D Luis
Casa Postal 107
Kuching, Sarawak
Tel 27091, 27114
Telex 6-203 NEGON Mo
Cable NEGON

NEW ZEALAND
Hewlett-Packard (N.Z.) Ltd
P O Box 9443
Courtenay Place
Wellington
Tel 877-199
Cable HEWPACK Wellington
Hewlett-Packard (N.Z.) Ltd.
Pakuranga Professional Centre
267 Pakuranga Highway
Box 51092
Pakuranga
Tel 569-651
Cable HEWPACK Auckland

Yokogawa-Hewlett-Packard Ltd
Kumagaya Asahi
Hachijou Building
4th Floor
3-4, Tsukuba
Kumagaya, Saitama 360
Tel 0485-24-6563

KENYA
Technical Engineering Services (E A) Ltd.
P O Box 18311
Nairobi
Tel 55726/55672
Cable PROTON
Medical Only
International Aeradio (E A) Ltd.
P O Box 19012
Nairobi Airport
Nairobi
Tel 336055/56
Telex 22201/22301
Cable INTAERIO Nairobi

ANALYTICAL/MEDICAL ONLY
Medical Supplies N Z Ltd
Scientific Division
79 Carleton Gore Rd., Newmarket
P O Box 1234
Auckland
Tel 75-289
Cable DENTAL Auckland
Analytical Medical Only
Medical Supplies N Z Ltd
P O Box 1994
147-161 Tory St
Wellington
Tel 850-799
Telex 3058
Cable ONTAL Wellington
Analytical Medical Only
Medical Supplies N Z Ltd
P O Box 309
239 Slanmore Road
Christchurch
Tel 892-019
Cable DENTAL Christchurch
Analytical Medical Only
Medical Supplies N Z Ltd
303 Great King Street
Dunedin
Tel 88-817
Cable DENTAL Dunedin
NGERIA
The Electronics Instrumentations Ltd
N6B 770 Oyo Road
Oluseun House
P M B 5402
Ibadan
Tel 61577
Telex 31231 TEIL Nigeria
Cable THEITEI Ibadan
The Electronics Instrumentations Ltd
144 Agere Motor Road, Mushin
P O Box 6645
Lagos
Cable THETEL Lagos
PAKISTAN
Mushko & Company, Ltd
Oosman Chambers
Abdullah Haroon Road
Karachi-3
Tel 511027, 512927
Telex 2894
Cable COOPERATOR Karachi
Mushko & Company, Ltd
388 Satellite Town
Rawalpindi
Tel 41924
Cable FEMUS Rawalpindi
PHILIPPINES
The Online Advanced Systems Corporation
Rico House
Amorsolo cor. Herrera Str
Legaspi Village, Makati
Durban, 4001
Tel 85-35-81, 85-34-91
Telex 32-74 ONLINE

ANALYTICAL/MEDICAL ONLY
Medical Supplies N Z Ltd
Scientific Division
79 Carleton Gore Rd., Newmarket
P O Box 1234
Auckland
Tel 75-289
Cable DENTAL Auckland
Analytical Medical Only
Medical Supplies N Z Ltd
P O Box 1994
147-161 Tory St
Wellington
Tel 850-799
Telex 3058
Cable ONTAL Wellington
Analytical Medical Only
Medical Supplies N Z Ltd
P O Box 309
239 Slanmore Road
Christchurch
Tel 892-019
Cable DENTAL Christchurch
Analytical Medical Only
Medical Supplies N Z Ltd
303 Great King Street
Dunedin
Tel 88-817
Cable DENTAL Dunedin
NGERIA
The Electronics Instrumentations Ltd
N6B 770 Oyo Road
Oluseun House
P M B 5402
Ibadan
Tel 61577
Telex 31231 TEIL Nigeria
Cable THEITEI Ibadan
The Electronics Instrumentations Ltd
144 Agere Motor Road, Mushin
P O Box 6645
Lagos
Cable THETEL Lagos
PAKISTAN
Mushko & Company, Ltd
Oosman Chambers
Abdullah Haroon Road
Karachi-3
Tel 511027, 512927
Telex 2894
Cable COOPERATOR Karachi
Mushko & Company, Ltd
388 Satellite Town
Rawalpindi
Tel 41924
Cable FEMUS Rawalpindi
PHILIPPINES
The Online Advanced Systems Corporation
Rico House
Amorsolo cor. Herrera Str
Legaspi Village, Makati
Durban, 4001
Tel 85-35-81, 85-34-91
Telex 32-74 ONLINE

TAIWAN
Hewlett-Packard Far East Ltd.,
Taiwan Branch
39 Chung Hsiao West Road
Sec. 1, 7th Floor
Taipei
Tel 3819160-4
Cable HEWPACK TAIPEI
Hewlett-Packard Far East Ltd
Taiwan Branch
68-2, Chung Cheng 3rd Road
Kaohsiung
Tel (07) 242318-Kaohsiung
Analytical Only
San Kwang Instruments Co., Ltd.
No. 20, Yung Sui Road
Taipei
Tel 37517-4 (5 lines)
Telex 22894 SANKWANG
Cable SANKWANG TAIPEI

TANZANIA
Medical Only
International Aeradio (E A.) Ltd
P O Box 861
Dar es Salaam
Tel 21251 Ext. 265
Telex 41030

THAILAND
UNIMESA Co., Ltd.
Elcom Research Building
2538 Sukumvit Ave.
Bangkok
Tel 3932387, 3930338
Cable UNIMESA Bangkok

UGANDA
Medical Only
International Aeradio (E A.) Ltd.
P O Box 2577
Kampala
Tel 54388
Cable INTAERIO Kampala

ZAMBIA
R J Tilbury (Zambia) Ltd
P O Box 2792
Lusaka
Tel 73793
Cable ARJAYTEE, Lusaka

OTHER AREAS NOT LISTED, CONTACT:
Hewlett-Packard International
3200 Hillview Ave
Palo Alto, California 94304
Tel (415) 453-1501
TWX 910-373-1267
Cable HEWPACK Palo Alto

CANADA

ALBERTA
Hewlett-Packard (Canada) Ltd
11620A - 168th Street
Edmonton T5M 3T9
Tel (403) 452-3670
TWX 610-831-2431
Hewlett-Packard (Canada) Ltd
210,7220 Fisher St. S.E.
Calgary T2H 2H8
Tel (403) 253-2713
TWX 610-821-6141

BRITISH COLUMBIA
Hewlett-Packard (Canada) Ltd
837 E Cordova Street
Vancouver V6A 3R2
Santiago 1
TWX 610-922-5059

MANITOBA
Hewlett-Packard (Canada) Ltd
513 Century St.
St. James
Winnipeg R3H 0L8
Tel (204) 486-7581
TWX 610-671-3531

NOVA SCOTIA
Hewlett-Packard (Canada) Ltd
800 Windmill Road
Dartmouth B3B 1L1
Tel (902) 469-7820
TWX 610-271-4482 HFX

ONTARIO
Hewlett-Packard (Canada) Ltd
1020 Morrison Dr
Ottawa K2H 8K7
Tel (613) 820-6483
TWX 610-563-1636
Hewlett-Packard (Canada) Ltd
6877 Goreway Drive
Mississauga L4V 1M8
Tel (416) 676-8430
TWX 610-492-4246

QUEBEC
Hewlett-Packard (Canada) Ltd
275 Hymus Blvd
Pointe Claire H9R 1G7
Tel (514) 697-4232
TWX 610-422-3022
TLX 05-821521 HPCL

FOR CANADIAN AREAS NOT LISTED:
Contact Hewlett-Packard (Canada)
Ltd in Mississauga

CENTRAL AND SOUTH AMERICA

ARGENTINA
Hewlett-Packard Argentina
S A
Av Leandro N Alem 822 - 12
1001 Buenos Aires
Tel 31-6063 4, 5, 6, and 7
Telex 122443 AR CIGY
Cable HEWPACK ARG

BOLIVIA
Casa Kavlin S A
Calle Potosi 1130
P O Box 500
La Paz
Tel 41530 53221
Telex CWC BX 5298.1TT 3560082
Cable KAVLIN

BRAZIL
Hewlett-Packard do Brasil
I e C Ltda
Alameda Rio Negro 980
06400 Barueri SP
Tel 429-3222

Hewlett-Packard do Brasil
I e C Ltda
Rua Padre Chagas 32
90000-Porto Alegre-RS
Tel (0512) 22-2998, 22-5621
Cable HEWPACK Porto Alegre

Hewlett-Packard do Brasil
I e C Ltda
Rua Siquiera Campos, 53
Coppacabana
20000-Rio de Janeiro
Tel 257-80-94-DDD (021)
Telex 39-212-1905 HEWP- BR
Cable HEWPACK
Rio de Janeiro

CHILE
Calagni y Metcalfe Ltda
Alameda 580-Of 807
Casilla 2118
Santiago 1
Tel 398613
Telex 3520001 CALMET
Cable CALMET Sannago

ECUADOR
Calculators Only
Computadoras y Equipos
Electronicos
P O Box 6423 CCI
Eloy Alfaro #1824 3 Piso
Quito
Tel 453482
Telex 02-2113 Sagita Ed
Cable Sagita-Quito

EL SALVADOR
Instrumentacion y Procesamiento
Electronico de el Salvador
Bulevar de los Heroes 11-48
San Salvador
Tel 252787

COLUMBIA
Instrumentacion
Henrik A. Langebaek & Kier S A
San Jose
Apartado Aereo 6287
Bogota, I D E
Tel 69-88-77
Cable AARIS Bogota
Telex 044 400

COSTA RICA
Cientifica Costarricense S A
Avenida 2 Calle 5
San Pedro de Montes de Oca
Apartado 10159
Zona 9
Tel 24-38 20, 24-08-19
Telex 2367 GALGUR
Cable GALGUR

MEXICO
Hewlett-Packard Mexicana
S A de C V
Av Penfencio Sur No 6501
Tepepan Xochimilco
Mexico 23, O F
Tel 905-676-6600
Hewlett-Packard Mexicana,
S A de C V
Ave Constitucion No 2184
Monterrey, N L
Tel 48-71-32, 48-71-84
Telex 038-410

NICARAGUA
Hewlett-Packard Inter-Américas
Apartado Postal 689
Edifio Terán
Managua
Tel 25114, 23412, 23454
Cable ROTERAN Managua

PANAMA
Electronico Balboa S A
P O Box 4929
Calle Samuel Lewis
Ciudad de Panama
Tel 64-2700
Telex 3483103 Curunda,
Canal Zone
Cable ELECTRON Panama

PERU
Compañía Electro Médica S A
Los Flamencos 145
San Isidro Casilla 1030
Lima
Tel 41-4325
Cable ELMED Lima

PUERTO RICO
Hewlett-Packard Inter-Américas
Puerto Rico Branch Office
Calle 272
No 203 Urb Country Club
Carolina 00924
Tel (809) 762 7255
Telex 345 0514

URUGUAY
Pablo Ferrando S A
Comercial e Industrial
Avenida Italia 7877
Casilla de Correo 370
Montevideo
Tel 40-3102
Cable RADJUM Montevideo

VENEZUELA
Hewlett-Packard Inter-Américas
Inter-Américas
3200 Hillview Ave
Palo Alto, California 94304
Tel (415) 453-1501
TWX 910-373-1260
Cable HEWPACK Palo Alto
Tel 034-8300 034-8493

FOR AREAS NOT LISTED, CONTACT:
Hewlett-Packard
Inter-Américas
3200 Hillview Ave
Palo Alto, California 94304
Tel (415) 453-1501
TWX 910-373-1260
Cable HEWPACK Palo Alto
Tel 034-8300 034-8493

EUROPE, NORTH AFRICA AND MIDDLE EAST

AUSTRIA
Hewlett-Packard Ges m b H
Händelskai 52
P.O. Box 7
A-1205 Vienna
Tel: (0222) 351621 to 27
Cable: HEWPAK Vienna
Telex: 75923 hewpak a

BELGIUM
Hewlett-Packard Benelux
S.A./N.V.
Avenue de Col-Vert. 1.
(Groenkruglaan)
B-1170 Brussels
Tel: (02) 672 22 40
Cable: PALOBEN Brussels
Telex: 23 494 paloben brv

CYPRUS
Kyproucis
19 Gregorou & Xenopoulos Rd
P.O. Box 1152
CY-Nicosia
Tel: 45628/29
Cable: KYPRONICS PANDEHIS
Telex: 3018

CZECHOSLOVAKIA
Vývojeva a Provozni Zakladna
Vyzkumnych Ustavu v Bechovicich
CSSR-25097 Bechovice u Prathy
Tel: 89 93 41
Telex: 121333
Institute of Medical Bionics
Vyskumny Ustav Lekarskej Bioniky
Jedlova 6
CS-88345 Bratislava-Kramare
Tel: 44-551/45-541

DOR
Entwicklungsabteilung Dr. T. Dresden
Forschungsanstalt Meinsberg
DOR-7305
Waldheim/Meinsberg
Tel: 827674
Tel: 112145
Export Contact AG Zuerich
Guenther Forgher
Schlegelstrasse 15
1040 Berlin
Tel: 42-74-12
Telex: 111889

DENMARK
Hewlett-Packard A/S
Olatvej 52
DK-3480 Blikersod
Tel: (02) 81 66 40
Cable: HEWPAK AS
Telex: 37409 hps dk
Hewlett-Packard A/S
Naverng
DK-8600 Silkeborg
Tel: (06) 82 71 66
Tel: 37409 hps dk
Cable: HEWPAK AS

FINLAND
Hewlett-Packard OY
Nahkasuontie 5
P.O. Box 6
SF-00211 Helsinki 21
Tel: (90) 6923031
Cable: HEWPAK OY Helsinki
Telex: 12-1563 HEWPA SF

FRANCE
Hewlett-Packard France
Quartier de Courtaubeuf
Boite Postale No. 5
F-91401 Orsay Cedex
Tel: (1) 907 78 25
Cable: HEWPAK Drsay
Telex: 60048 B
Hewlett-Packard France
Agence Regionale
Le Saquin
Chemin des Mouilles
B.P. 167
F-69116 Ecully
Tel: (78) 33 81 25
Cable: HEWPAK Ecully
Telex: 31 06 17

GERMAN FEDERAL REPUBLIC
Hewlett-Packard GmbH
Vertriebszentrale Frankfurt
Bernerstrasse 117
Postfach 560 145
D-5000 Frankfurt 56
Tel: (0611) 50 04-1
Cable: HEWPAKSA Frankfurt
Tel: (0611) 50 04-1
Cable: HEWPAKSA Frankfurt
Telex: 04 13249 hpfmrd
Hewlett-Packard GmbH
Technisches Buero Boblingen
Herrenbergerstrasse 110
D-7030 Boblingen, Wurttemberg
Tel: (07031) 667-1
Cable: HEWPAK Boblingen
Telex: 07265739 bbn
Hewlett-Packard GmbH
Technisches Buero Dusseldorf
Emanuel-Leutze-Str. 1 (Seestern)
D-4000 Dusseldorf 1
Tel: (0211) 59711
Tel: 08586 533 hppd d
Hewlett-Packard GmbH
Technisches Buero Hamburg
Wendensstrasse 23
D-2000 Hamburg 1
Tel: (040) 24 13 93
Cable: HEWPAKSA Hamburg
Telex: 21 63 032 hpph d

GERMAN DEMOCRATIC REPUBLIC
Hewlett-Packard Ltd.
King Street Lane
F-91401 Orsay Cedex
Tel: (1) 907 78 25
Cable: HEWPAK Drsay
Telex: 60048 B

HUNGARY
MTA
Műszertűpi és Mérés-technikai
Szolgálat
Lenin Krt. 67
1391 Budapest VI
Tel: 42 03 38
Telex: 22 51 14

ICELAND
Medical Only
Elding Trading Company Inc
Hatnarhvoli - Tryggvatolet
IS-Reykjavik
Tel: 58 22 40
Cable: ELIND Reykjavik

IRAN
Hewlett-Packard Iran Ltd
No. 13, Fourteenth St
Miremad Avenue
P.O. Box 41/2419
Tel: (021) 672 22 40
Cable: PALOBEN Brussels
Telex: 23 494

MOROCCO
Gerep
190 Blvd. Brahim Rouandi
Casablanca
Tel: 25-15-7825-90-99
Cable: Gerep-Casa
Telex: 23739

NETHERLANDS
Hewlett-Packard Benelux N.V.
Van Heuven Goedhartlaan 121
P.O. Box 667
NL-Schiedamschen
Tel: (020) 47 20 21
Cable: PALOBEN Amsterdam
Telex: 13 216 hepa nl

NORWAY
Hewlett-Packard Norge A/S
Nevsveien 13
Postboks 454-2486
N-1344 Haalum
Tel: (02) 53 83 60
Telex: 16621 hpnas n

POLAND
Biuro Informatyki Technicznej
Hewlett-Packard
Ul. Stawki 2. 6P
00-950 Warszawa
Tel: 395962 395187
Telex: 81 24 53 hepa pl
UNIFAN
Zaklad Doswiadczalny
Budowy Aparatury Naukowej
Ul. Krajowej Rady Narodowej 51/55
00-800 Warszawa
Tel: 36190
Telex: 81 46 48
Zaklady Naprawcze Sprzetu
Medycznego
Plac Komuny Paryskiej 6
90-107 Lodz
Tel: 334-41 337 83

PORTUGAL
Telectra-Empresa Técnica de
Equipamentos Eléctricos S. a r l
Rua Rodrigo da Fonseca 103
P.O. Box 2531
P-Lisbon 1
Tel: (1) 58 60 72
Cable: TELECTRA Lisbon
Telex: 12598
Medical only
Mundinter
Intercambio Mundial de Comercio
S. r l
Av. A. de Aguiar 138
P.O. Box 2761
P-Lisbon
Tel: (1) 53 21 31-7
Cable: INTERCAMBIO Lisbon

RUMANIA
Hewlett-Packard Reprezentanta
Bd. N. Balcescu 16
Bucharest
Tel: 158022/138885
Telex: 10440
I. I. R. U. C.
Intreprinderia Pentru
Intreprinera
Si Reparatia Utilajelor de Calcul
B-dul prof. Dimitrie Pompei 6
Bucharest Sectorul 2
Tel: 12 64 30
Telex: 11716

SAUDI ARABIA
Modern Electronic Establishment
King Abdul Aziz str (Head office)
P.O. Box 1228
Jeddah
Tel: 31173-332201
Cable: ELECTRA
P.O. Box 2728 (Service center)
Riyadh
Tel: 62596-6632
Cable: RAOUFCO

SPAIN
Hewlett-Packard Española. S. A.
Jerez, Calle 3
E-Madrid 16
Tel: (1) 458 26 00 (10 lines)
Telex: 23515 hpe
Hewlett-Packard Española. S. A.
Minisnada 21-23
E-Barcelona 17
Tel: (3) 203 6200 (5 lines)
Telex: 52603 hpe e
Hewlett-Packard Española. S. A.
Av. Ramon y Cajal 1
Edificio Sevilla. Plaza 9.
E-Sevilla 5
Tel: 64 44 54 58
Hewlett-Packard Española S. A.
Edificio Albia II 7-8
E-Bilbao 1
Tel: 23 83 0623 82 06
Calculators Only
Hewlett-Packard Española S. A.
Gran Via Fernando El Catolico. 67
E-Valencia-8
Tel: 326 67 28326 85 55

SWEDEN
Hewlett-Packard Sverige AB
Enghetsvägen 1-3
Fack
S-161 20 Bromma 20
Tel: (08) 730 05 50
Cable: MEASUREMENTS
Stockholm
Telex: 10721
Hewlett-Packard Sverige AB
Ostra Vingelgatan 22
S-702 40 Örebro
Tel: (019) 14 07 20
Hewlett-Packard Sverige AB
Frötillsgatan 30
S-421 32 Västra Frölunda
Tel: (031) 49 09 50
Telex: 10721 Via Bromma Office

SWITZERLAND
Hewlett-Packard (Schweiz) AG
Zürcherstrasse 20
P.O. Box 307
CH-8952 Schlieren-Zürich
Tel: (022) 96 05 22
Cable: HEWPAKAG Geneva
Telex: 27 333 hpag ch
Hewlett-Packard (schweiz) AG
Château Bloc 19
CH-1219 Le Lignon-Genève
Tel: (022) 96 05 22
Cable: HEWPAKAG Geneva
Telex: 27 333 hpag ch

SYRIA
Medical/Calculator only
Sawah & Co
Place Azmeh
B.P. 2308
SYR-Damascus
Tel: 15367 19697 14268
Cable: SAWAH, Damascus
Telex: 30439

TURKEY
Telemet Engineering Bureau
P.O. Box 437
Beyoglu
Lung Street
Tel: 49 40 40
Cable: TELEMATION Istanbul
Telex: 23609
Medical only
E.M.A.
Munendsakk Kolektif Sirketi
Adakale Sokak 416
TR-Ankara
Tel: 175622
Analytical only
Yilmaz Ozyurek
Mih. Mustafa Cad No 16/6
Kizilay
TR-Ankara
Tel: 25 03 09
Telex: 42576 ozek tr

UNITED KINGDOM
Hewlett-Packard Ltd
King Street Lane
GB-Winnerah, Wokingham
Berks. RG11 5AR
Tel: (0734) 78 47 74
Cable: Hewpde London
Telex: 847 178-9
Hewlett-Packard Ltd
Trafaig Road
Navigation Road
Atrincham
Cheshire WA14 1NU
Tel: (061) 928 6422
Telex: 66808
Hewlett-Packard Ltd
Lyon Court
Hereford Rise
Dudley Road
Halesowen
West Midlands B62 8SD
Tel: (021) 550 9911
Telex: 339105

YUGOSLAVIA
Iskra-standard/Hewlett-Packard
Mikoliceva 38/III
61000 Ljubljana
Tel: 31 58 79/32 16 74
Telex: 31583

SOCIALIST COUNTRIES NOT SHOWN PLEASE CONTACT:
Hewlett-Packard Ges m b H
P.O. Box 7
A-1205 Vienna, Austria
Tel: (0222) 35 16 21 to 27
Cable: HEWPAK Vienna
Telex: 75923 hewpak a

MEDITERRANEAN AND MIDDLE EAST COUNTRIES NOT SHOWN PLEASE CONTACT:
Hewlett-Packard S.A.
Mediterranean and Middle
East Operations
35 Kolokotroni Street
Piana Kallitiano
GR-Kifissia-Athens, Greece
Tel: 8080337/359/429
Telex: 21-6588
Atrincham
Cheshire WA14 1NU
Tel: (061) 928 6422
Telex: 66808
Hewlett-Packard Ltd
Lyon Court
Hereford Rise
Dudley Road
Halesowen
West Midlands B62 8SD
Tel: (021) 550 9911
Telex: 339105

FOR OTHER AREAS NOT LISTED CONTACT
Hewlett-Packard S.A.
7, rue du Bois-du-Lan
P.O. Box
CH-1217 Meyrin 2 - Geneva
Switzerland
Tel: (022) 82 70 00
Cable: HEWPAKSA Geneva
Telex: 2 24 86

UNITED STATES

ALABAMA
8290 Whitesburg Dr. S. E.
P.O. Box 4207
Huntsville 35802
Tel: (205) 881-4591
Medical Only
228 W. Valley Ave.
Room 220
Birmingham 35209
Tel: (205) 942-2081/2

ARIZONA
2336 E. Magnolia St
Phoenix 85034
Tel: (602) 244-1361
2424 East Aragon Rd.
Tucson 85706
Tel: (602) 294-3148

ARKANSAS
Medical Service Only
P.O. Box 5646
Bradly Station
Little Rock 72215
Tel: (501) 376-1844

CALIFORNIA
1430 East Dringthorpe Ave
Fullerton 92631
Tel: (714) 870-1000
3939 Lankershim Boulevard
North Hollywood 91604
Tel: (213) 877-1282
TWX: 910-499-2671
5400 West Rosecrans Blvd
P.O. Box 92105
World Wide Postal Center
Los Angeles 90009
Tel: (818) 750-7500
Los Angeles
Tel: (213) 776-7500
3003 Scott Boulevard
Santa Clara 95050
Tel: (408) 249-7000
TWX: 910-338-0518

CONNECTICUT
12 Lunar Drive
New Haven 06525
Tel: (203) 389-6551
TWX: 710-465-2029

FLORIDA
P.O. Box 24210
2806 W. Oakland Park Blvd
Ft. Lauderdale 33311
Tel: (305) 731-2020
Jacksonville
Medical Service Only
Tel: (904) 398-0663
P.O. Box 13910
6177 Lake Ellenor Dr
Orlando 32809
Tel: (305) 859-2900
P.O. Box 12826
Pensacola 32525
Tel: (904) 476-8422

GEORGIA
P.O. Box 105005
Atlanta 30348
Tel: (404) 955-1500
Tel: (404) 768-4800
Medical Service Only
Tel: (404) 736-0592
P.O. Box 2103
Warner Robins 31098
Tel: (912) 922-0449

HAWAII
2875 So. King Street
Honolulu 96814
Tel: (808) 955-4455
Telex: 723-705

ILLINOIS
5201 Tollwede Dr
Rolling meadows 60008
Tel: (312) 255-9800
TWX: 910-687-2260

INDIANA
7301 North Sheladano Ave
Indianapolis 46250
Tel: (317) 842-1000
TWX: 810-260-1797

IOWA
2415 Heinz Road
Iowa City 52240
Tel: (319) 338-9466

KENTUCKY
Medical Only
Atkinson Square
2901 Atkinson Dr.
Suite 407 Atkinson Square
Louisville 40218
Tel: (502) 456-1573

LOUISIANA
P.O. Box 840
3229-39 Williams Boulevard
Kenner 70063
Tel: (504) 443-6201

MARYLAND
6707 Matthews Road
Baltimore 21207
Tel: (301) 944-5400
TWX: 710-862-9157

**2 Cope Cherry Road
Rockville 20850
Tel: (301) 948-8370
TWX: 710-828-9684**

MASSACHUSETTS
32 Hartwell Ave
Lexington 02173
Tel: (617) 861-8960
TWX: 710-326-6904

MICHIGAN
23855 Research Drive
Farmington Hills 48024
Tel: (313) 476-6400
724 West Centre Ave.
Kalamazoo 49002
Tel: (608) 323-8362

MINNESOTA
2400 N. Prior Ave
St. Paul 55113
Tel: (612) 636-0700

MISSISSIPPI
Medical Service Only
Tel: (601) 982-9363

MISSOURI
11331 Colorado Ave
Kansas City 64137
Tel: (816) 763-8000
TWX: 910-771-2087
1024 Executive Parkway
St. Louis 63141
Tel: (314) 878-0200

NEBRASKA
Medical Only
7171 Mercy Road
Suite 110
Omaha 68106
Tel: (402) 392-0948

NEW JERSEY
W 120 Century Rd
Paramus 07652
Tel: (201) 265-5000
TWX: 710-990-4951
Crystal Brook Professional
Building
Easton town 07824
Tel: (201) 542-1378

NEW MEXICO
P.O. Box 11634
Station E
11300 Lomas Blvd. N.E
Albuquerque 87123
Tel: (505) 292-1330
TWX: 910-989-1185

NEW YORK
6 Automation Lane
Computer Park
Albany 12205
Tel: (518) 456-1550
201 South Avenue
Poughkeepsie 12601
Tel: (914) 454-7330
TWX: 510-253-5981
650 Perinton Hill Office Park
Fairport 14450
Tel: (716) 223-9950
5858 East Mollay Road
Syracuse 13211
Tel: (315) 454-2486
TWX: 710-541-0482
1 Crossways Park West
Woodbury 11797
Tel: (516) 921-0300
TWX: 710-990-4951

NORTH CAROLINA
P.O. Box 5188
1923 North Main Street
High Point 27262
Tel: (919) 885-8101

OHIO
16500 Sprague Road
Cleveland 44130
Tel: (216) 243-7300
TWX: 810-423-9430
330 Progress Rd
Dayton 45449
Tel: (513) 859-8202
1041 Kingsmill Parkway
Columbus 43229
Tel: (614) 436-1041

OKLAHOMA
P.O. Box 32008
Oklahoma City 73132
Tel: (405) 721-0200

OREGON
17890 SW Lower Boones
Ferry Road
Tualatin 97062
Tel: (503) 620-3350

PENNSYLVANIA
111 Zeta Drive
Pittsburgh 15238
Tel: (412) 782-0400
1021 8th Avenue
King of Prussia Industrial Park
Hawthorn
Tel: (215) 265-7000
TWX: 510 660-2670

SOUTH CAROLINA
6941-D Trenholm Road
Columbia 29260
Tel: (803) 782-6493

TENNESSEE
Knoxville
Medical Service Only
Tel: (615) 523-5022
3027 Vanguard Dr
Director's Plaza
Memphis 38131
Tel: (901) 346-8370

Nashville
Medical Service Only
Tel: (615) 244-5448

TEXAS
P.O. Box 1270
201 E. Arapahoe Rd
Richardson 75080
Tel: (214) 231-6101

**10535 Harwin Dr.
Houston 77036
Tel: (713) 776-6400
205 Baily Mitchell Road
San Antonio 78226
Tel: (512) 434-8241**

UTAH
2160 South 3270 West Street
Salt Lake City 84119
Tel: (801) 972-4711

VIRGINIA
P.O. Box 12778
New River Forge Excer Center
Suite 212
Norfolk 23502
Tel: (804) 461-4025-6
P.O. Box 9669
2914 Hungary Springs Road
Richmond 23228
Tel: (804) 285-3431

WASHINGTON
Bellevue Office Plc
1203-114th Ave S E
Bellevue 98004
Tel: (206) 454-3971
TWX: 910-443-2446

WEST VIRGINIA
Medical/Analytical Only
Charleston
Tel: (304) 345-1640

WISCONSIN
9004 West Lincoln Ave
West Allis 53227
Tel: (414) 541-0550

FOR U.S. AREAS NOT LISTED:
Contact the regional office
nearest you: Atlanta, Geneva,
North Hollywood, California,
Rockville, Maryland, Rolling Meadows,
Illinois. Their complete
addresses are listed above

***Service Only 1/78**



Your Comments, Please...

Your comments assist us in improving the usefulness of our publications; they are an important part of the inputs used in preparing updates to the publications.

In order to write this manual, we made certain assumptions about your computer background. By completing and returning the comments card on the following page, you can assist us in adjusting our assumptions and improving our manuals.

Feel free to mark more than one reply to a question and to make any additional comments.

If the comments card is missing, please address your comments to:

HEWLETT-PACKARD COMPANY
Desktop Computer Division
3404 East Harmony Road
Fort Collins, Colorado 80525 U.S.A.
Attn. Customer Documentation