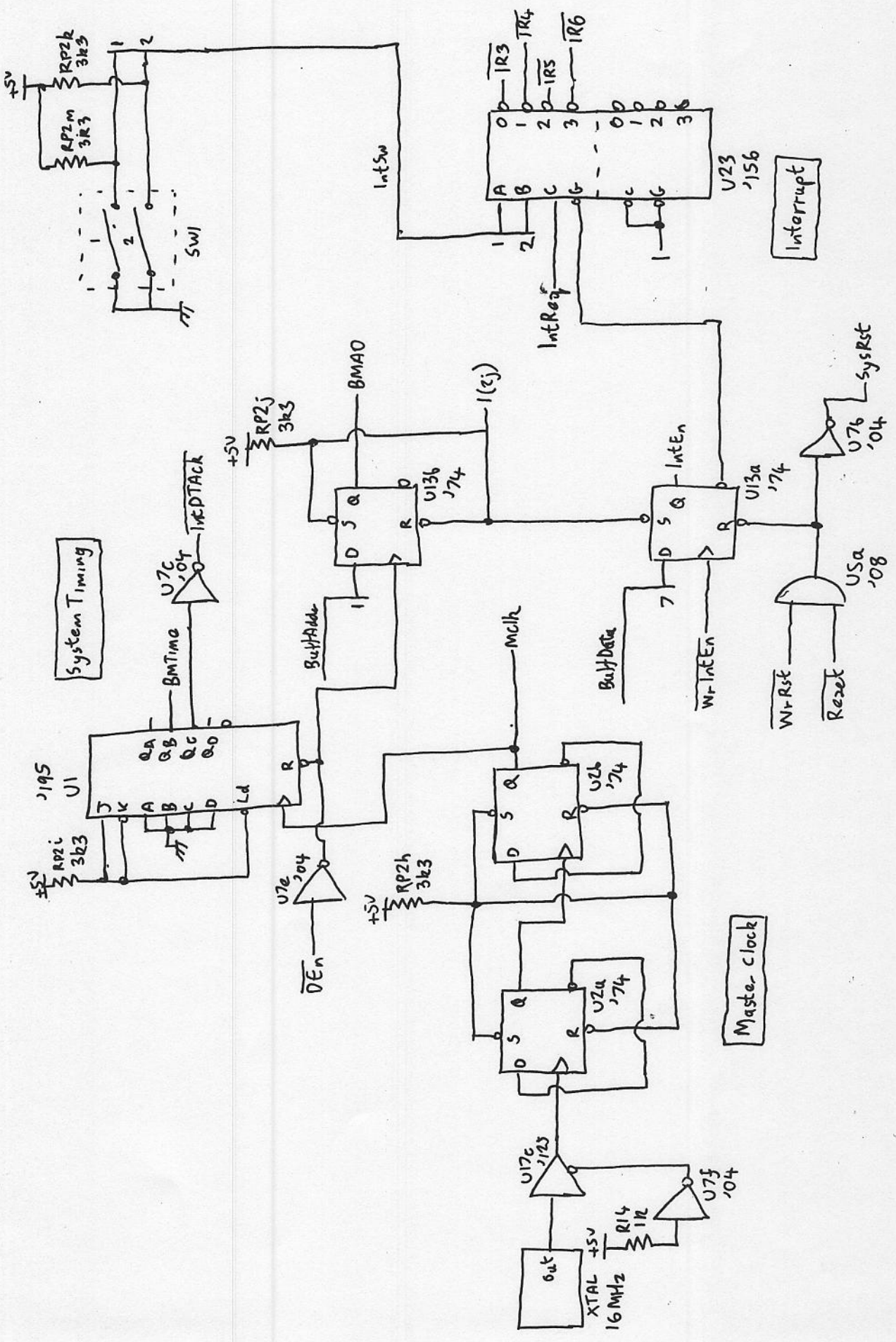
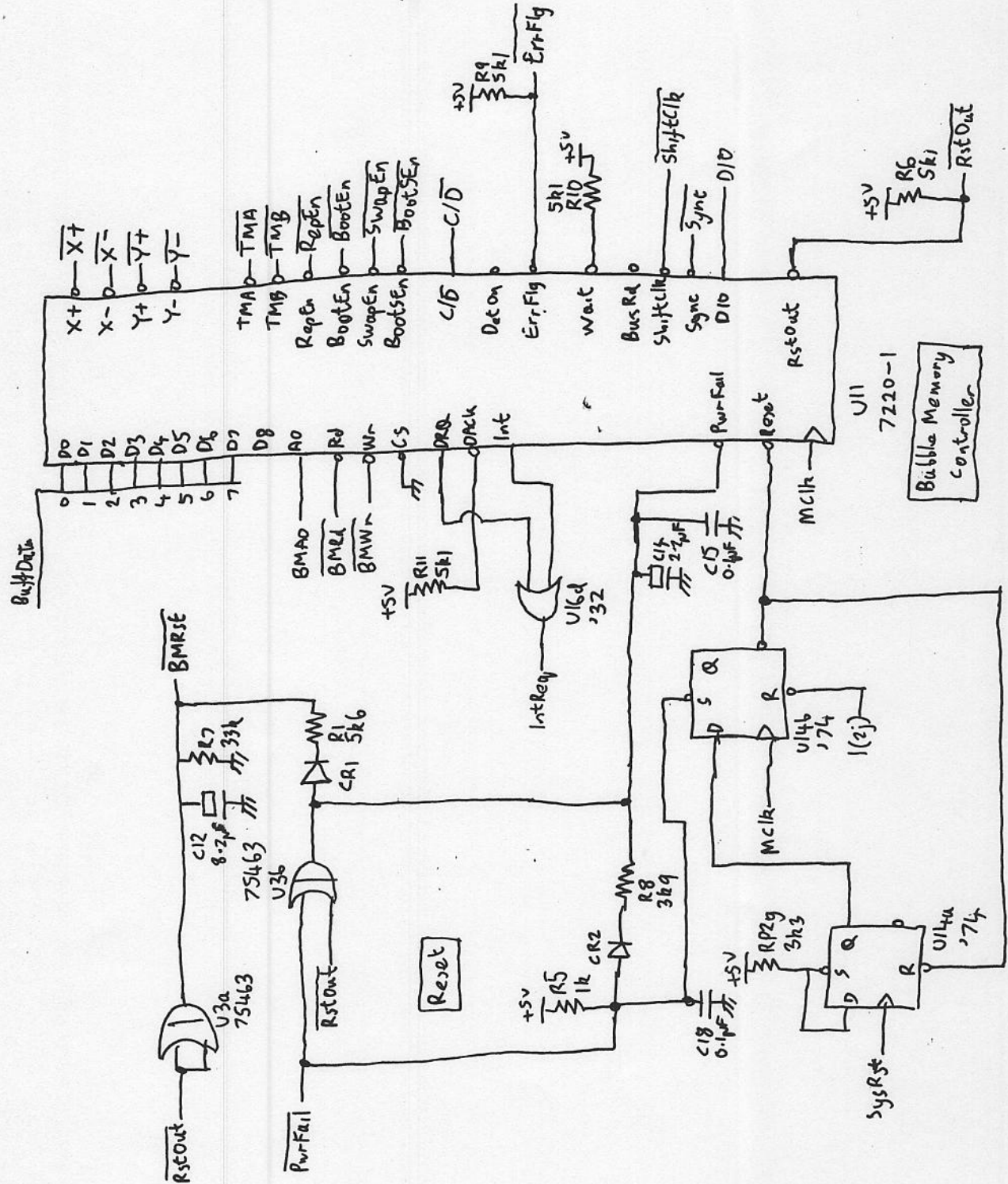
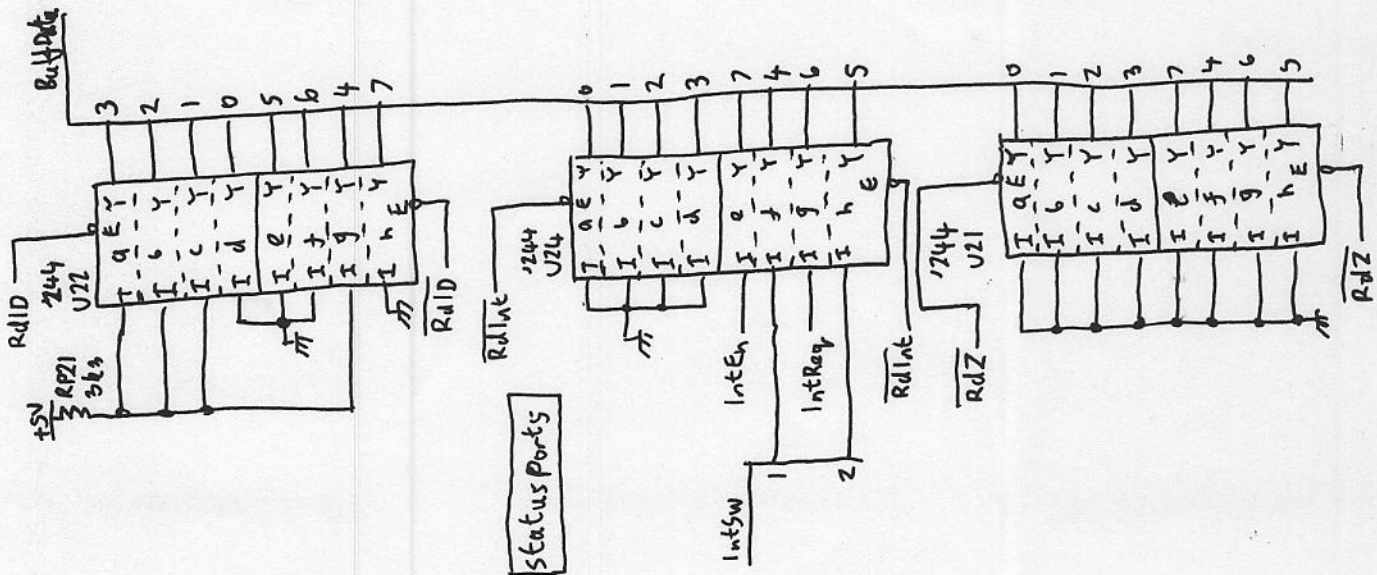


(D10 5106)

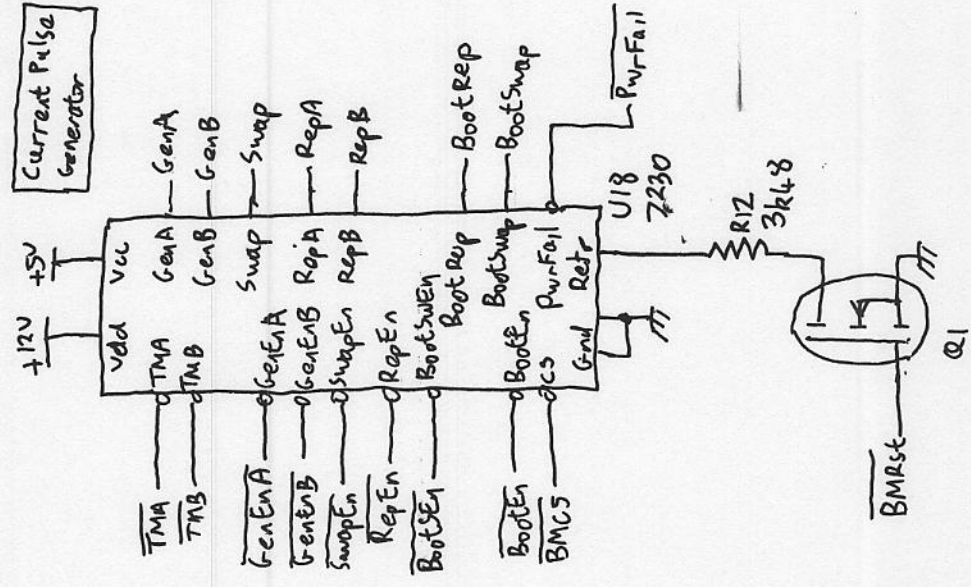
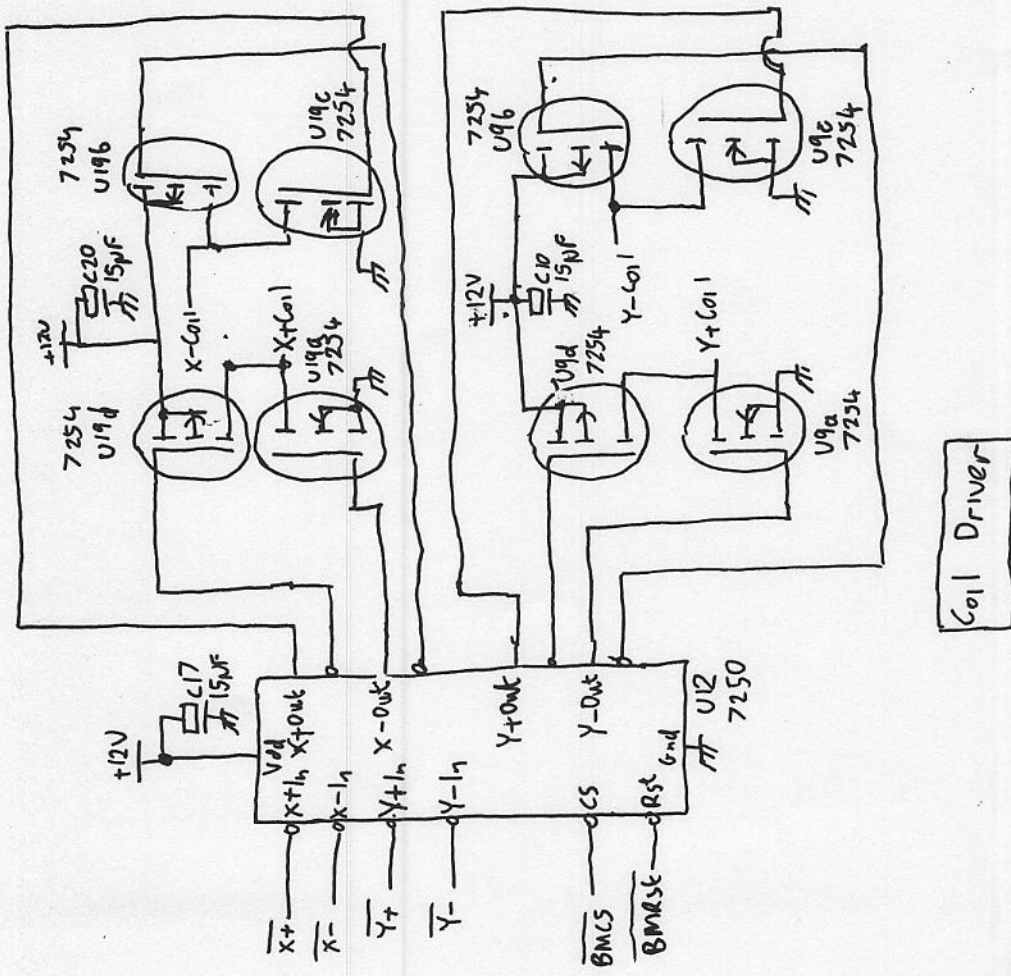


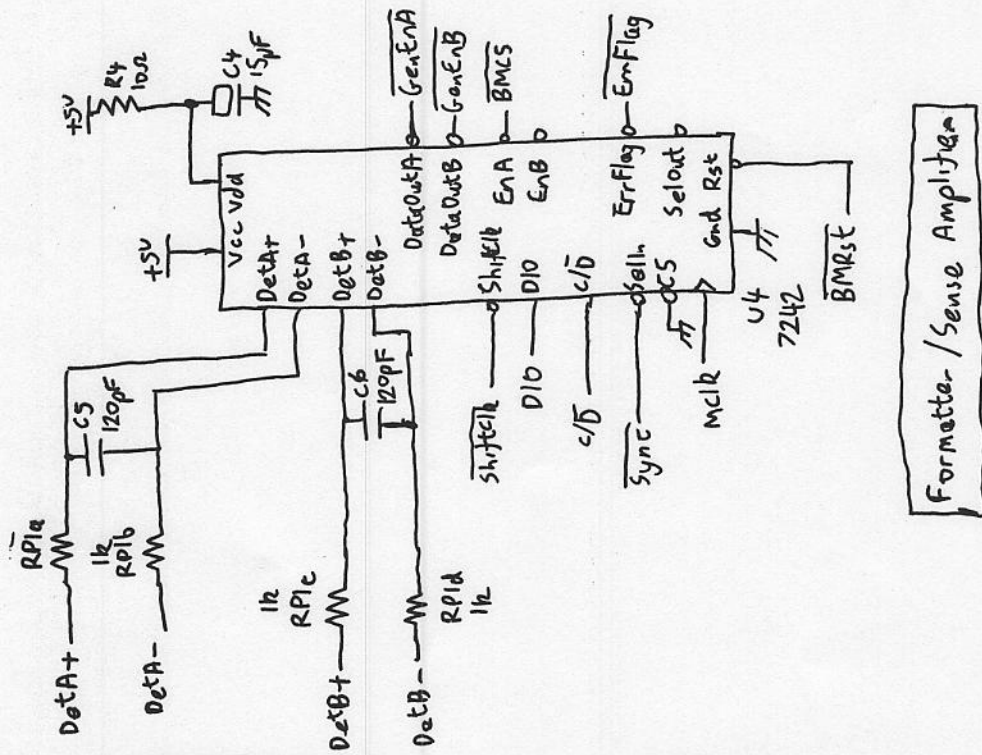




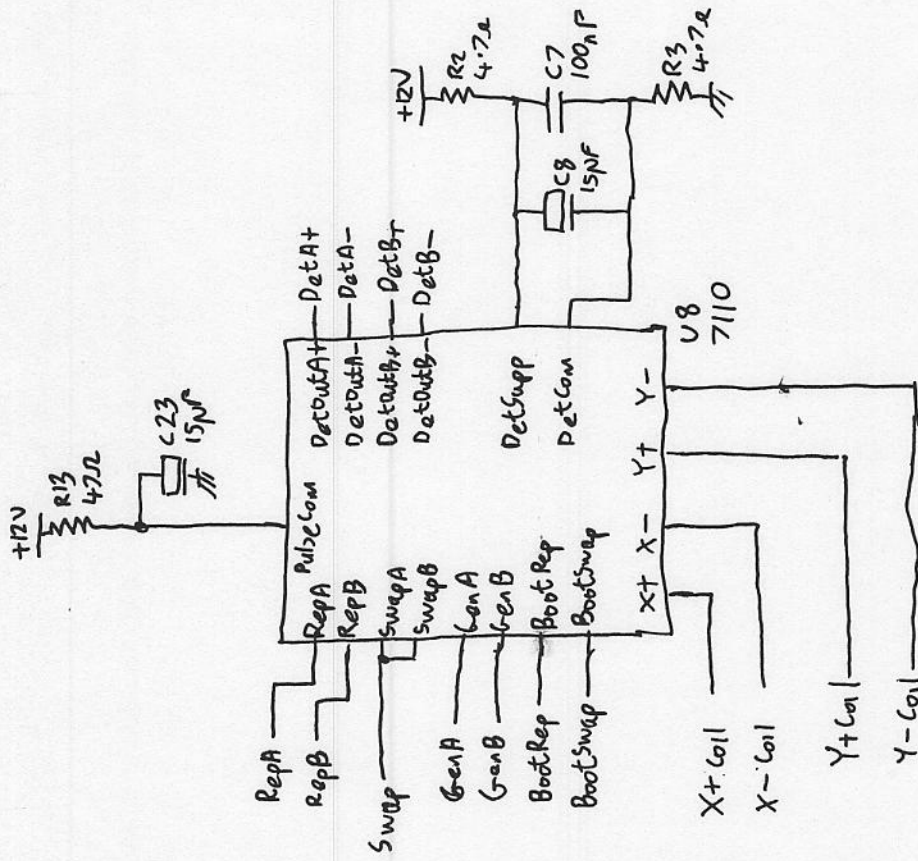


HP98259 D10 128K Bubble Memory PCB Sheet (4) 98259-66501





Formatter / Sense Amplifier



Bubble Memory