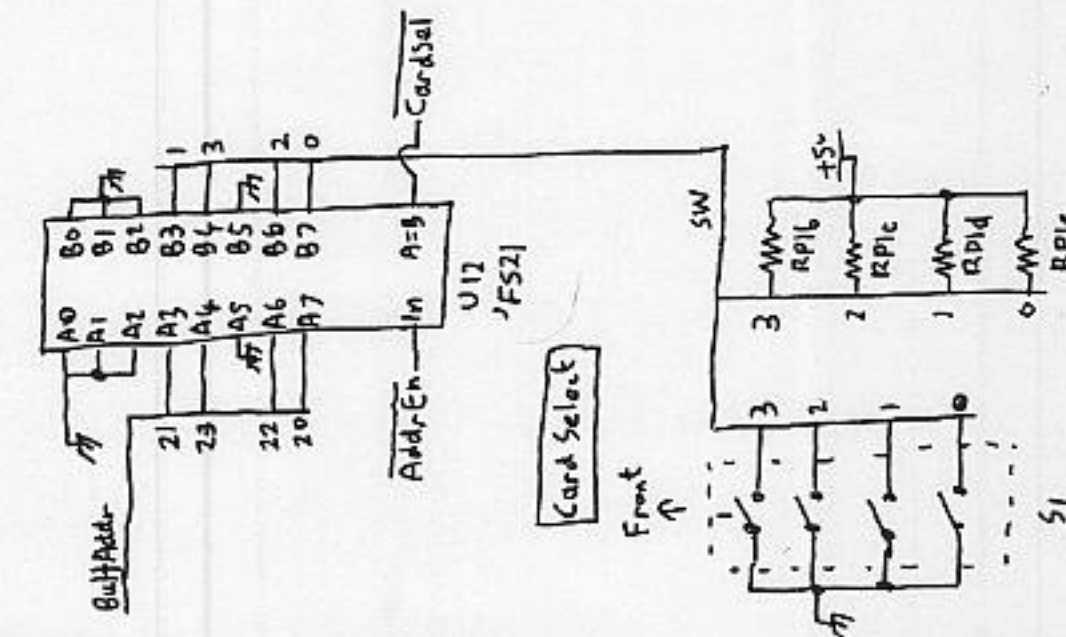
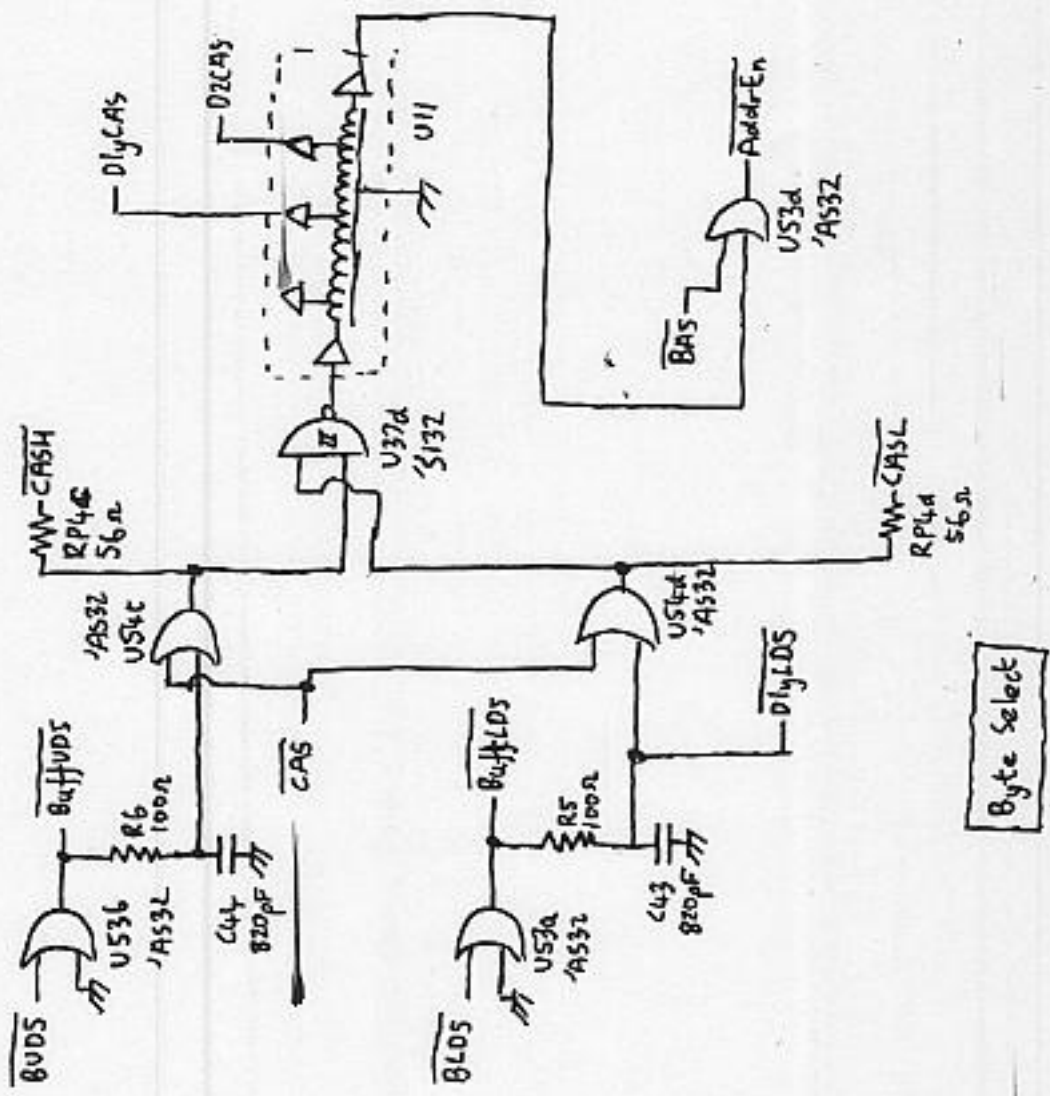


98257-66524

Sheet 1

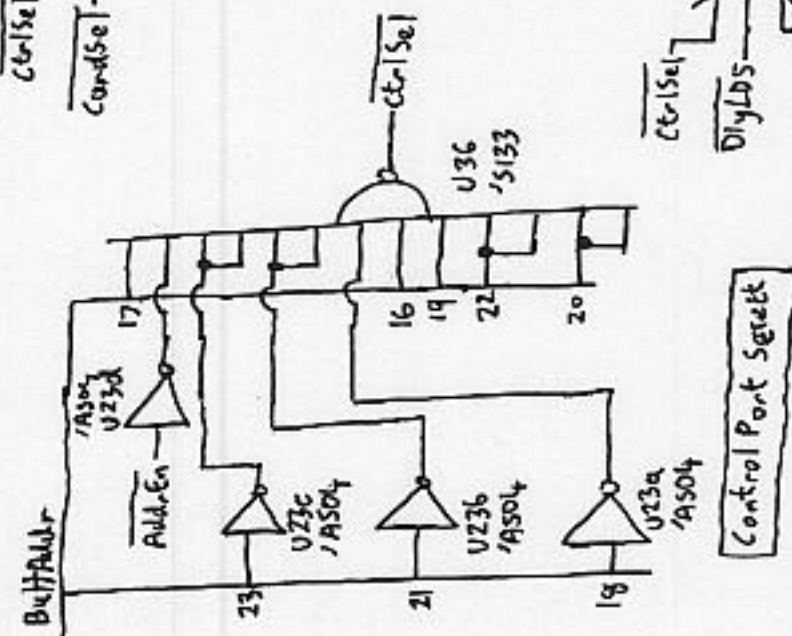
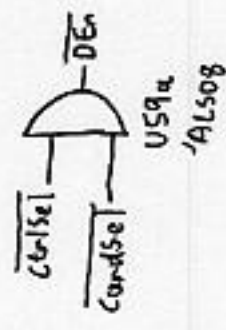
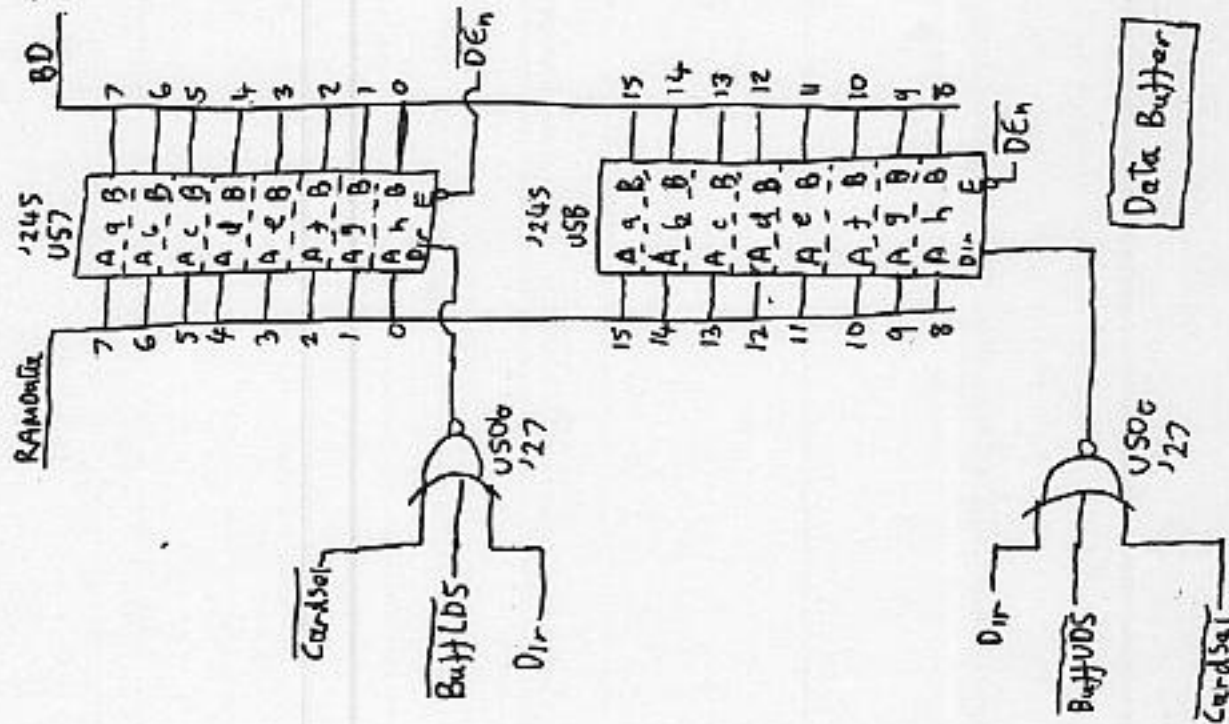
1MByte DIO RAM PCB

HP 98257

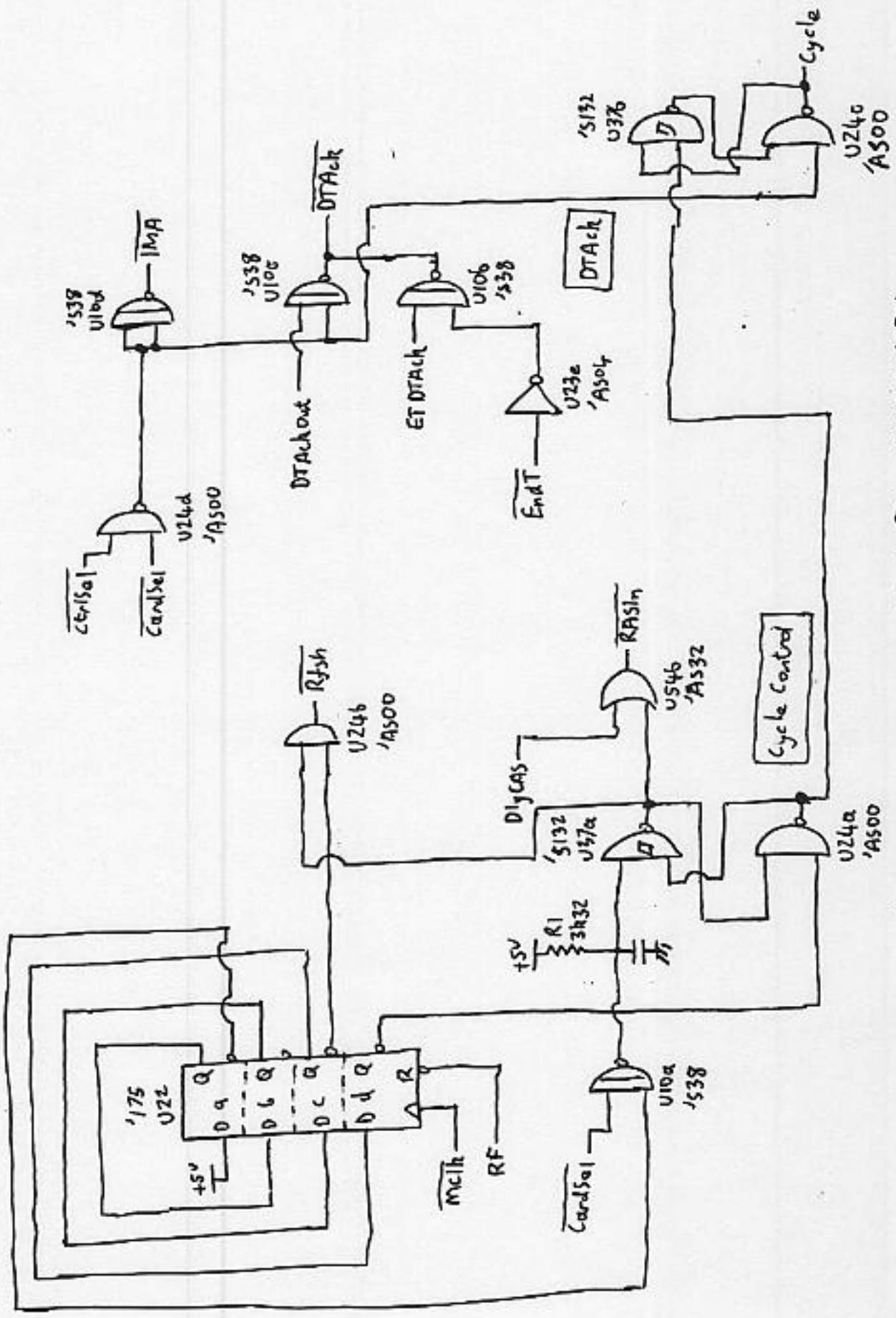


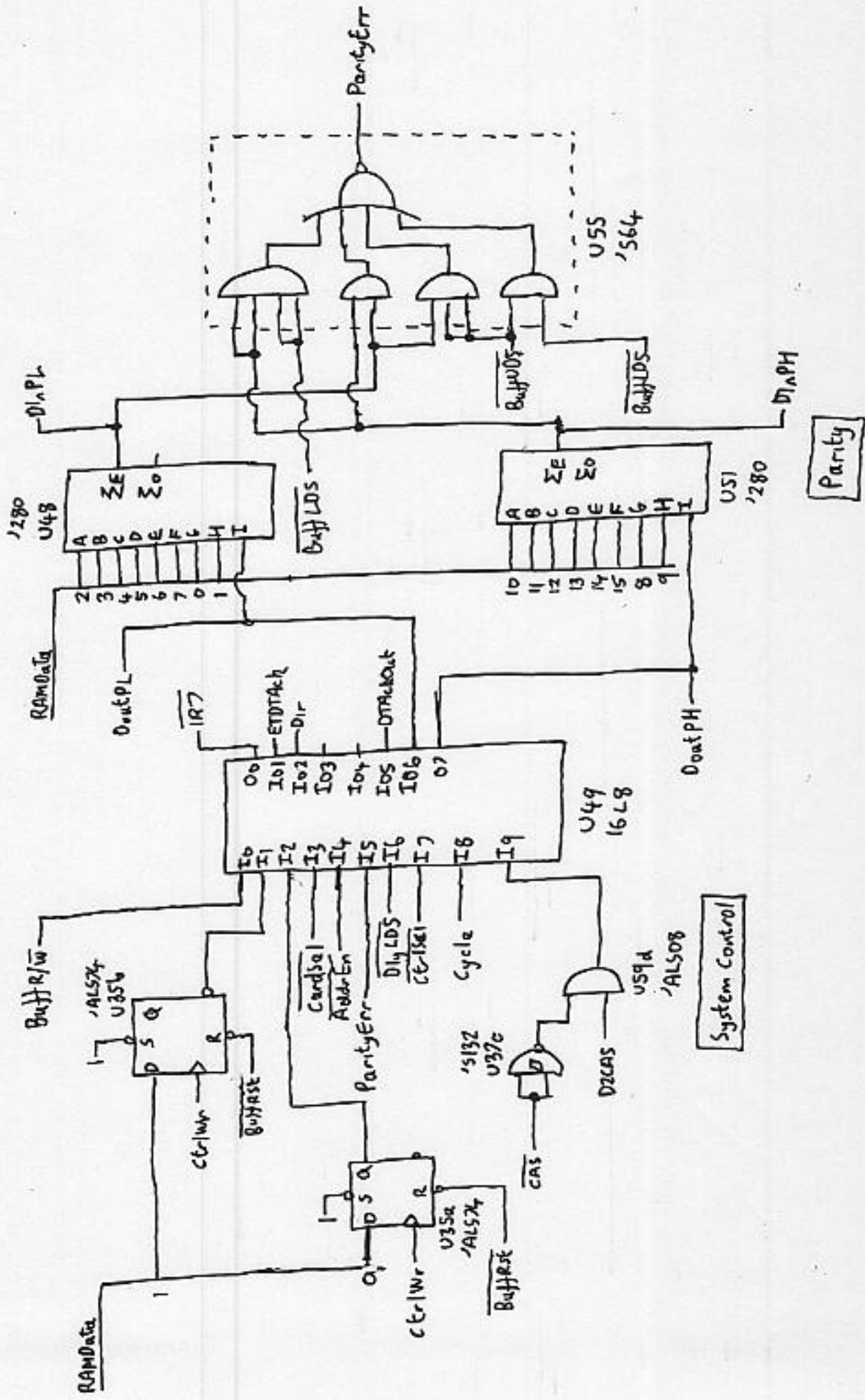
Byte Select

Card Select

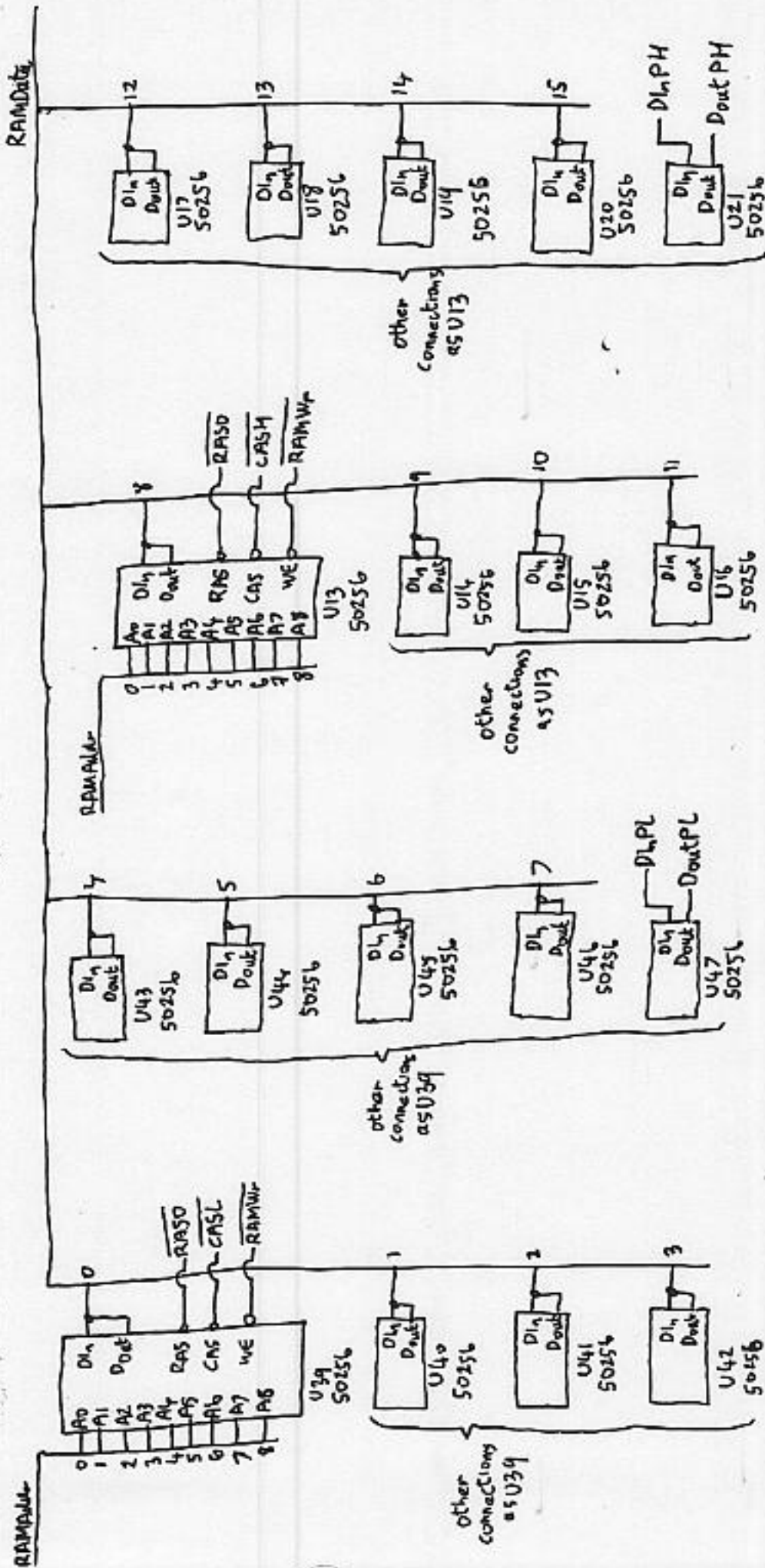








HP98257 1MByte D10 RAM PCB Sheet (6) 98257-66524

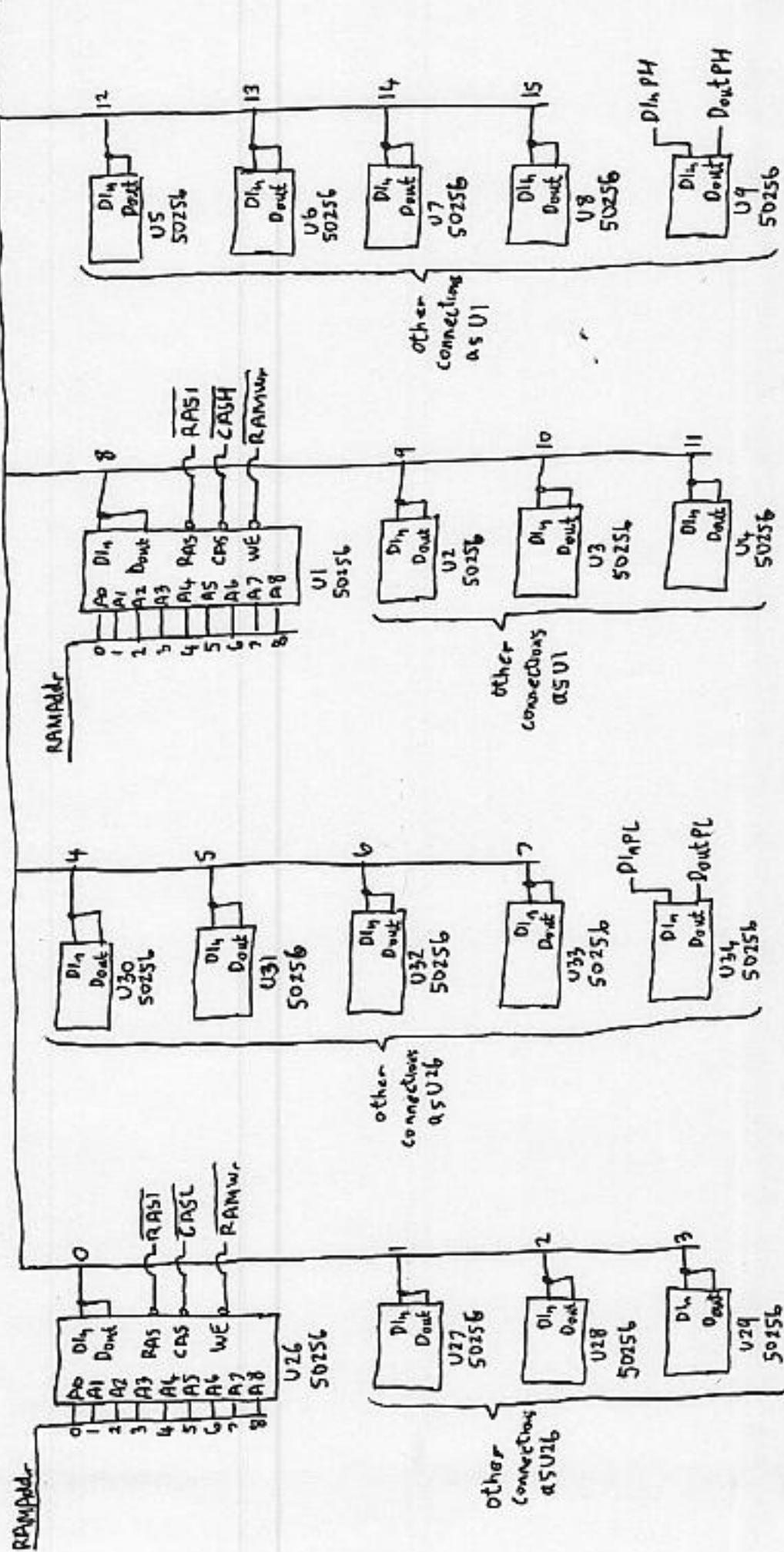


Low RAM Bank

98257-66S24

HP98257 1M Byte D10 RAM PCB sheet 7

RAMData



High RAM Bank