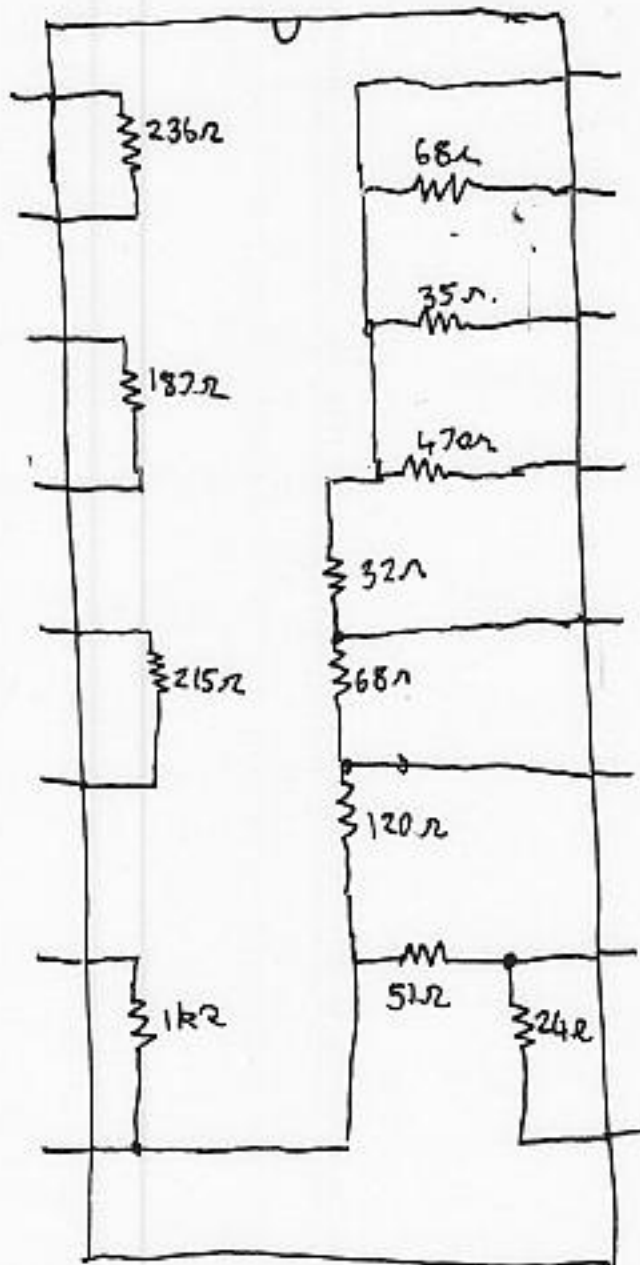
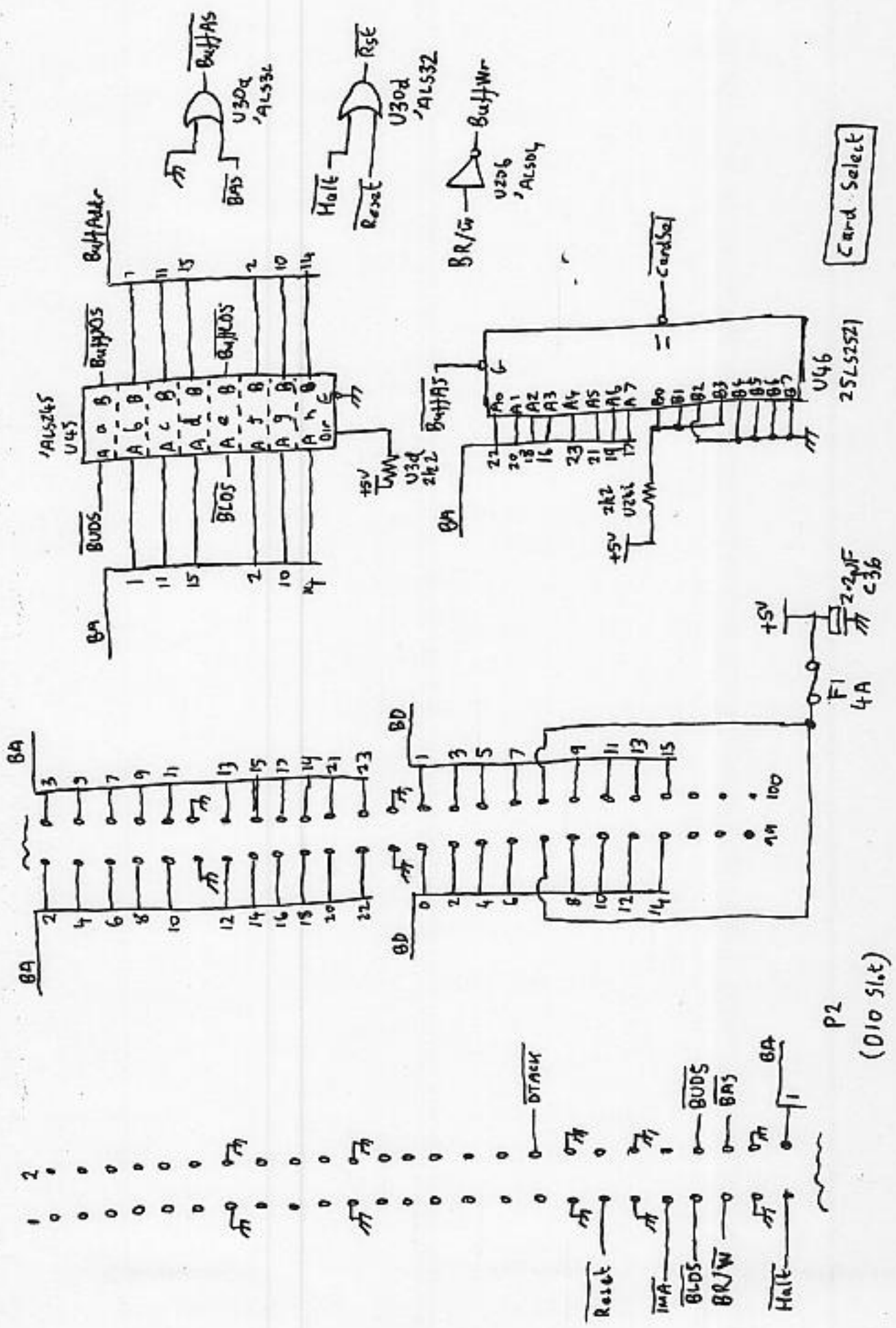


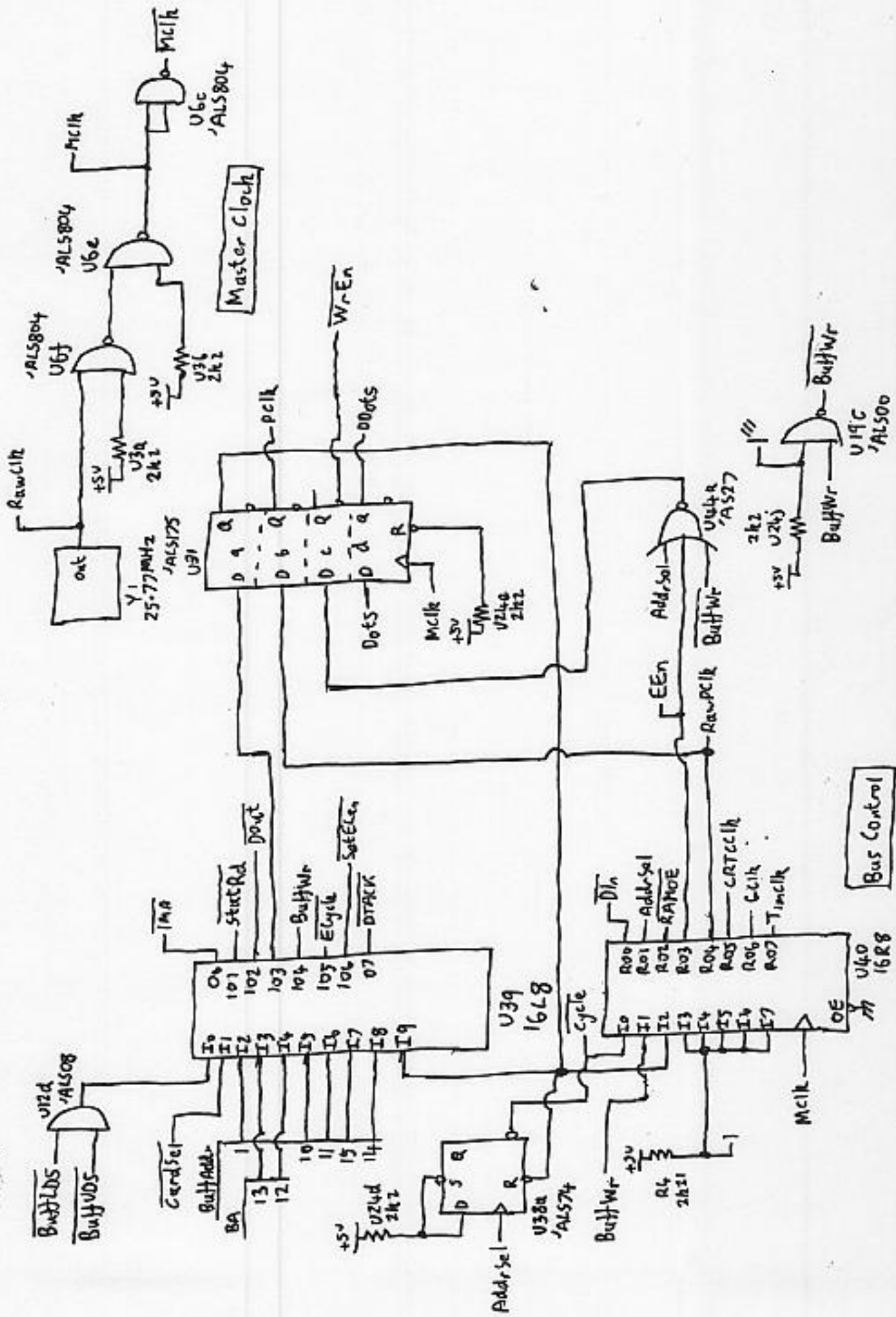
HP98204B Video PCB

U1



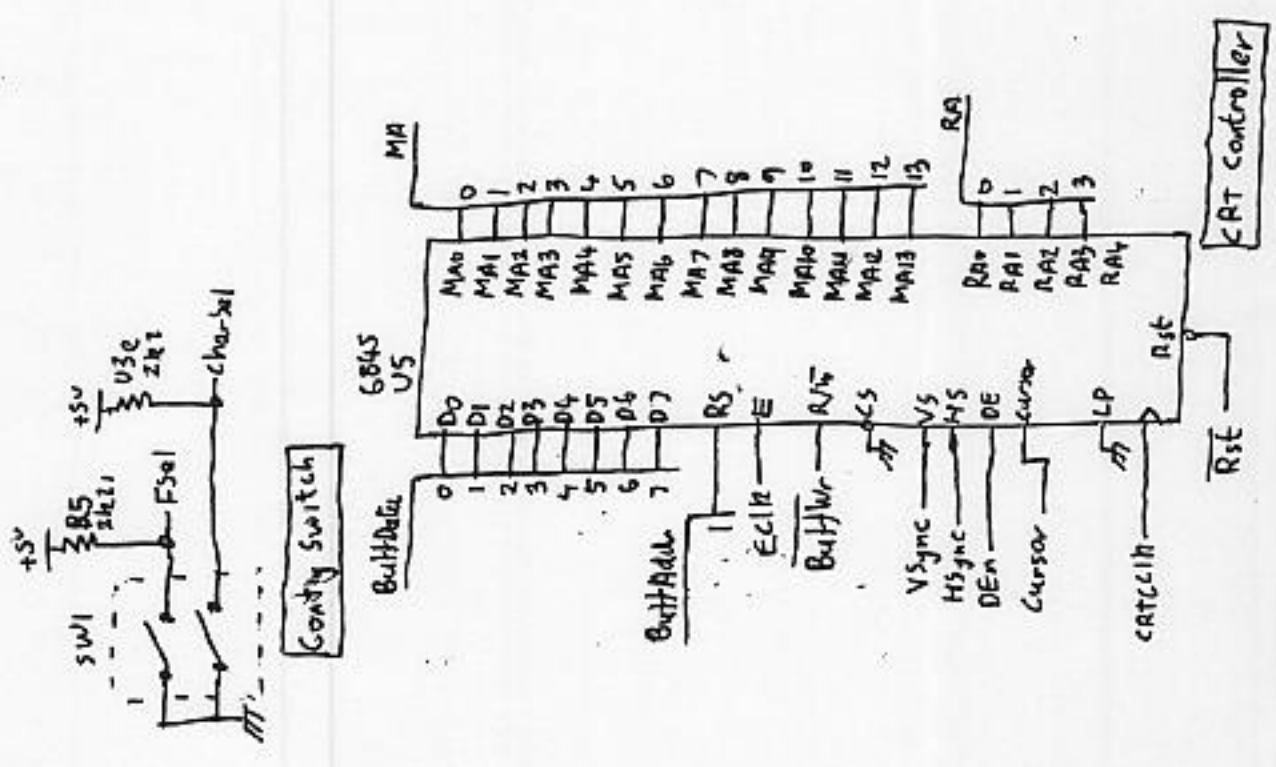
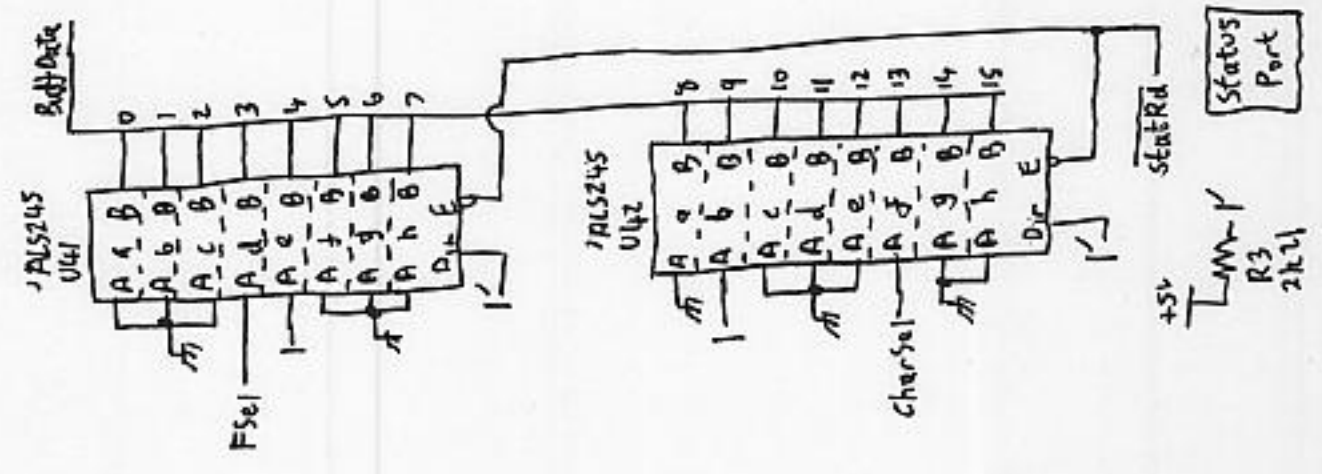
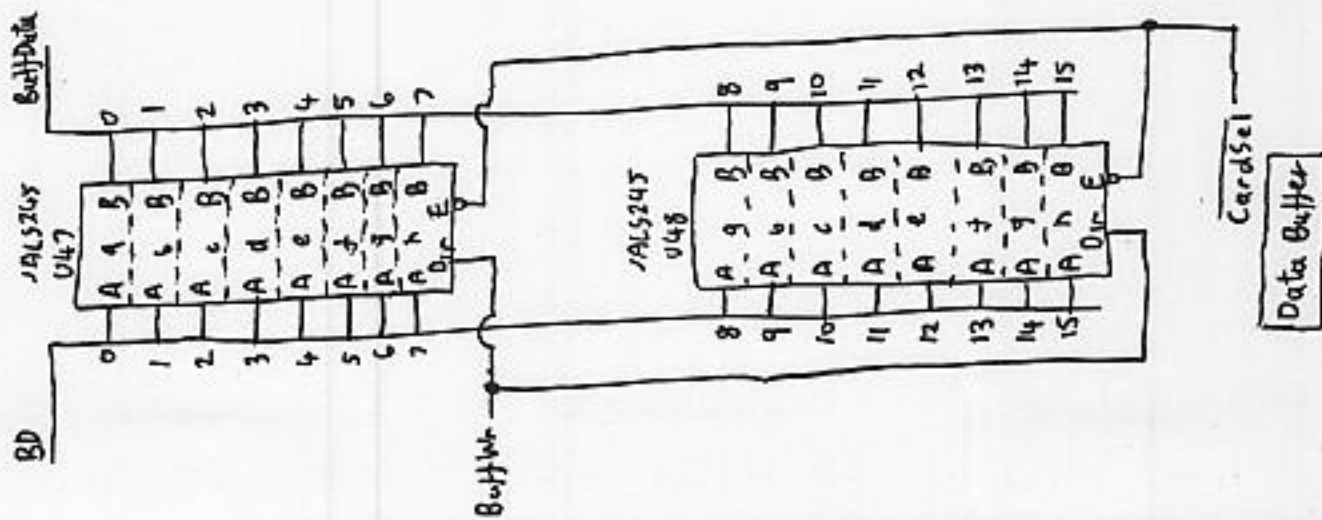


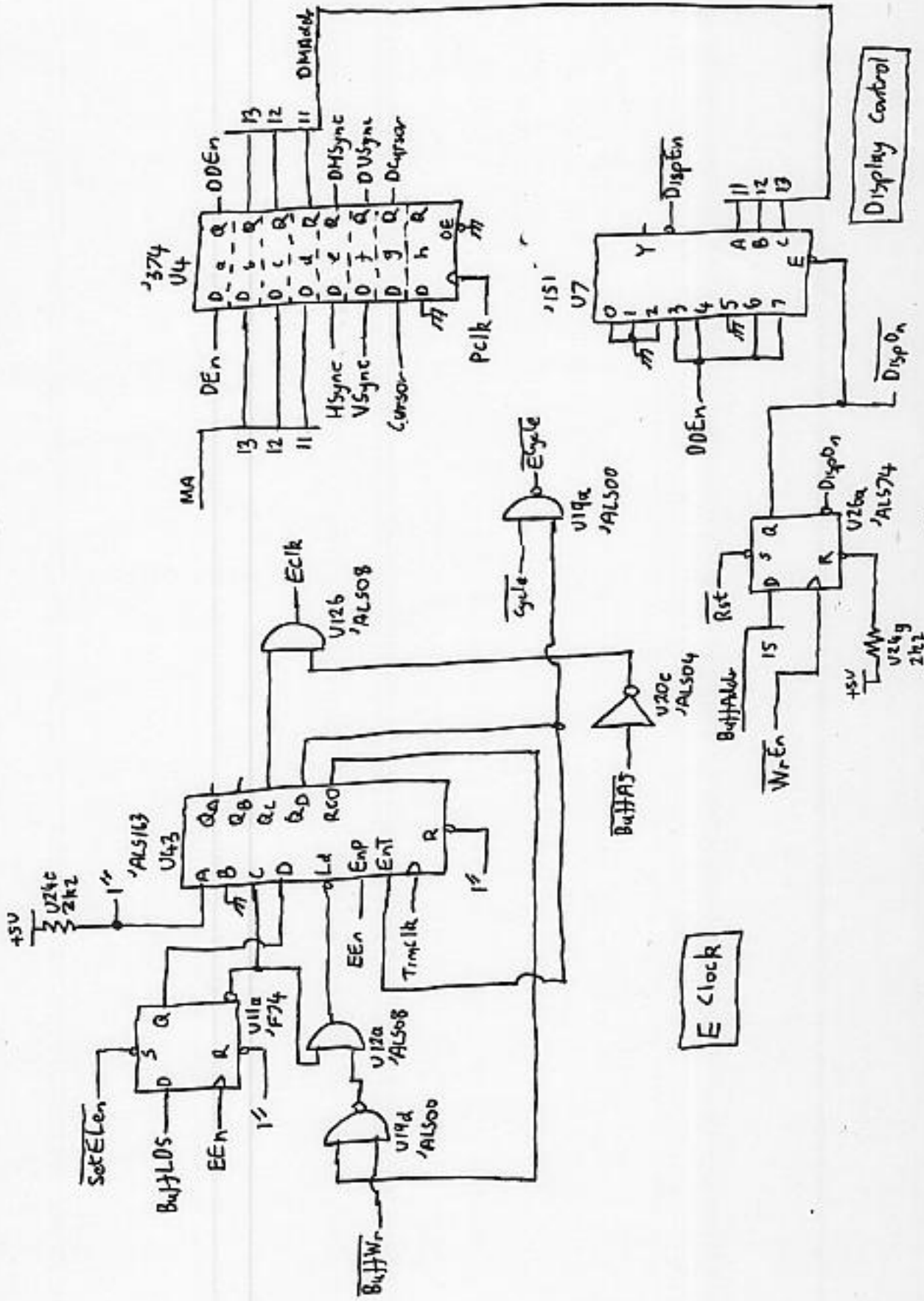
P2
(DIO Slot)

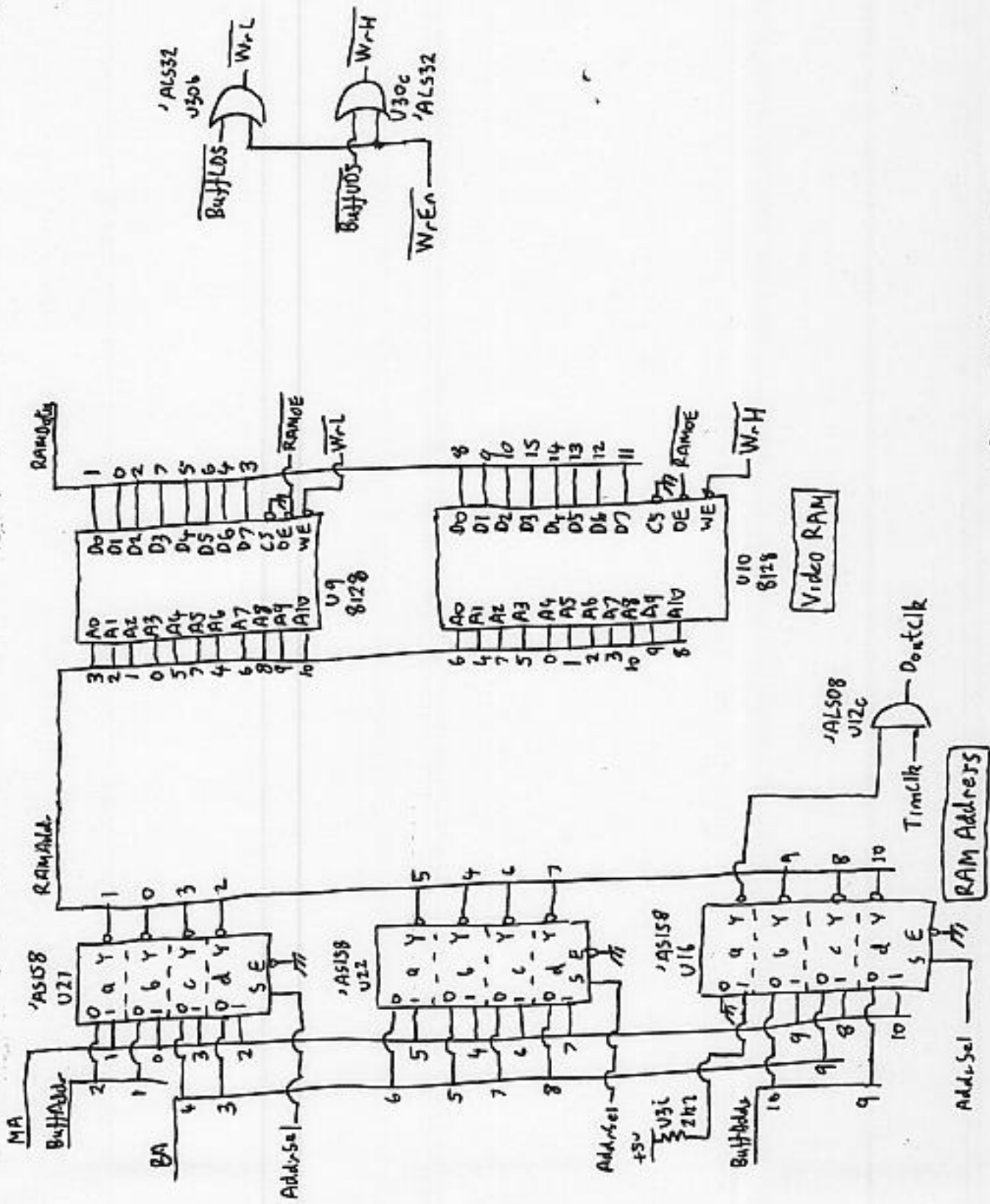


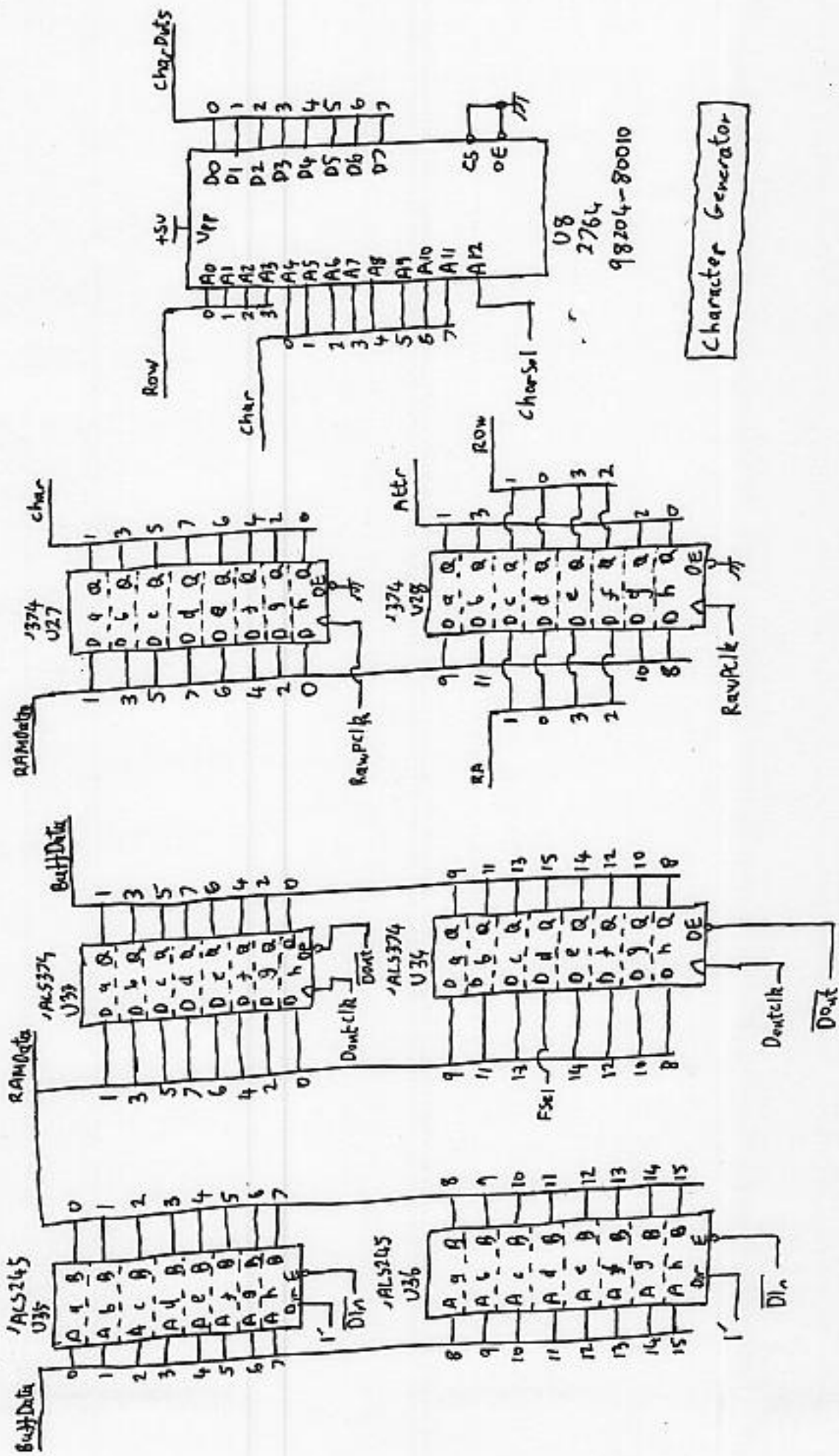
98204-66578

HP 98204B 010 Video PCB Sheet 2



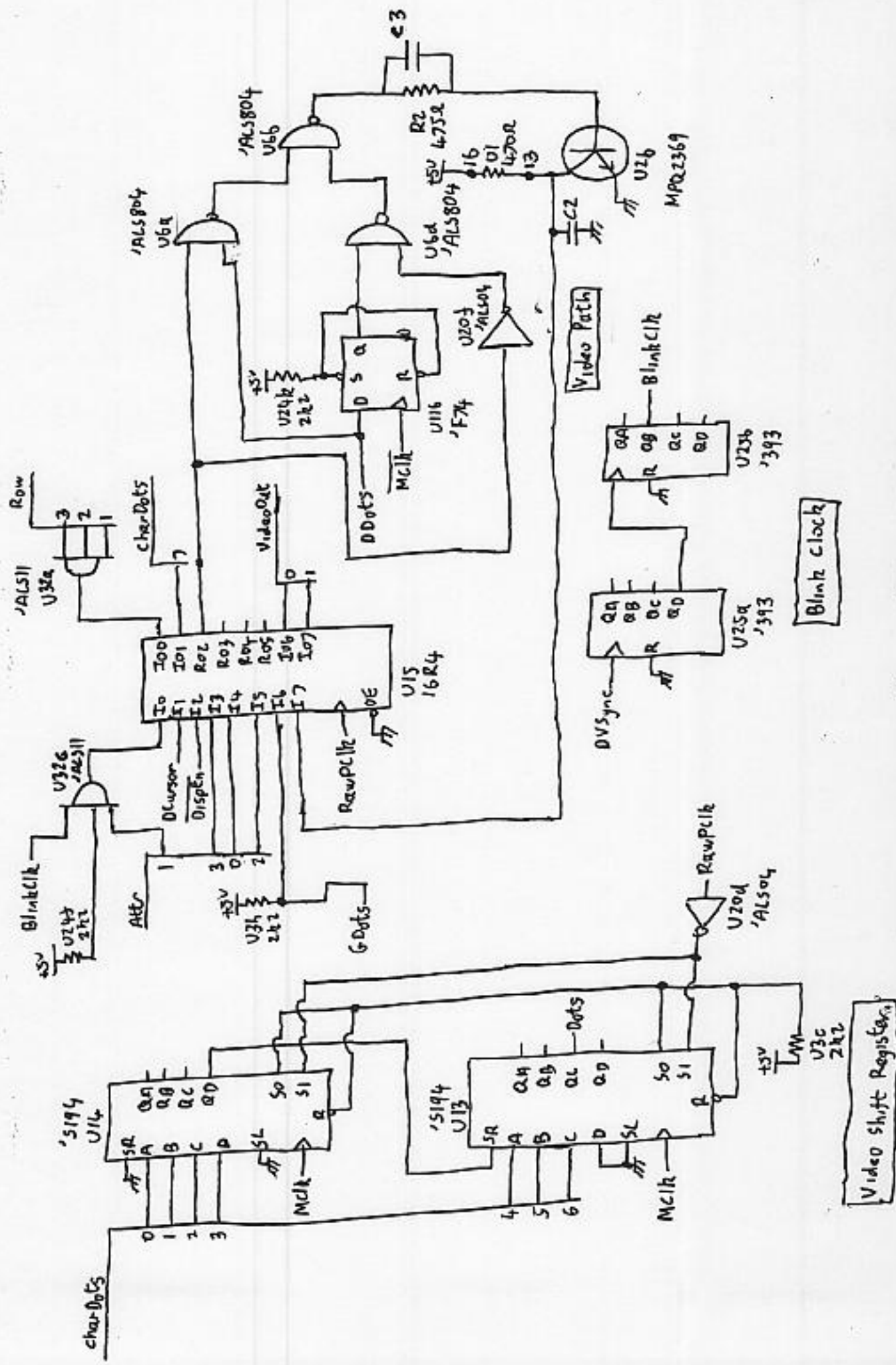


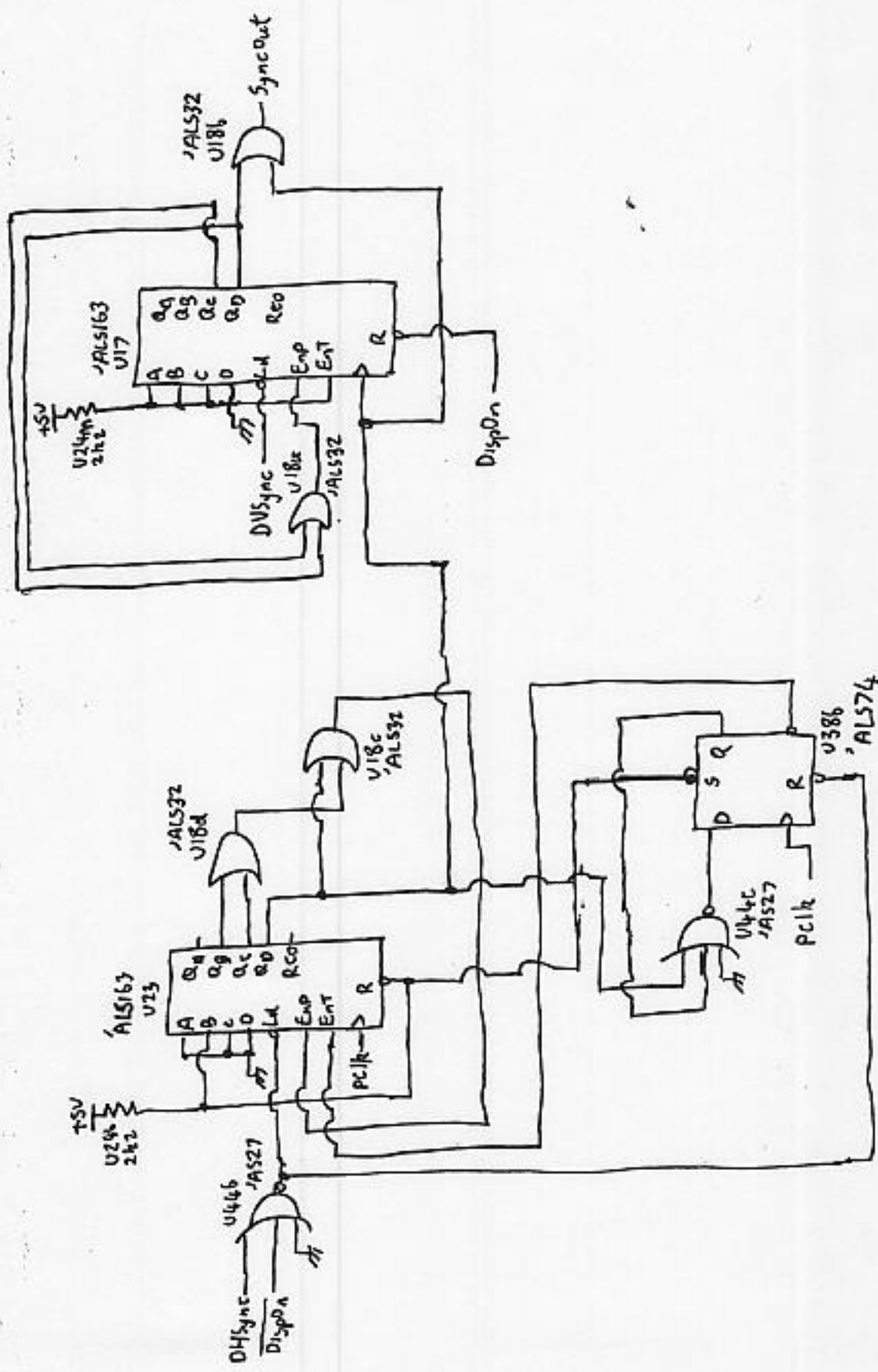




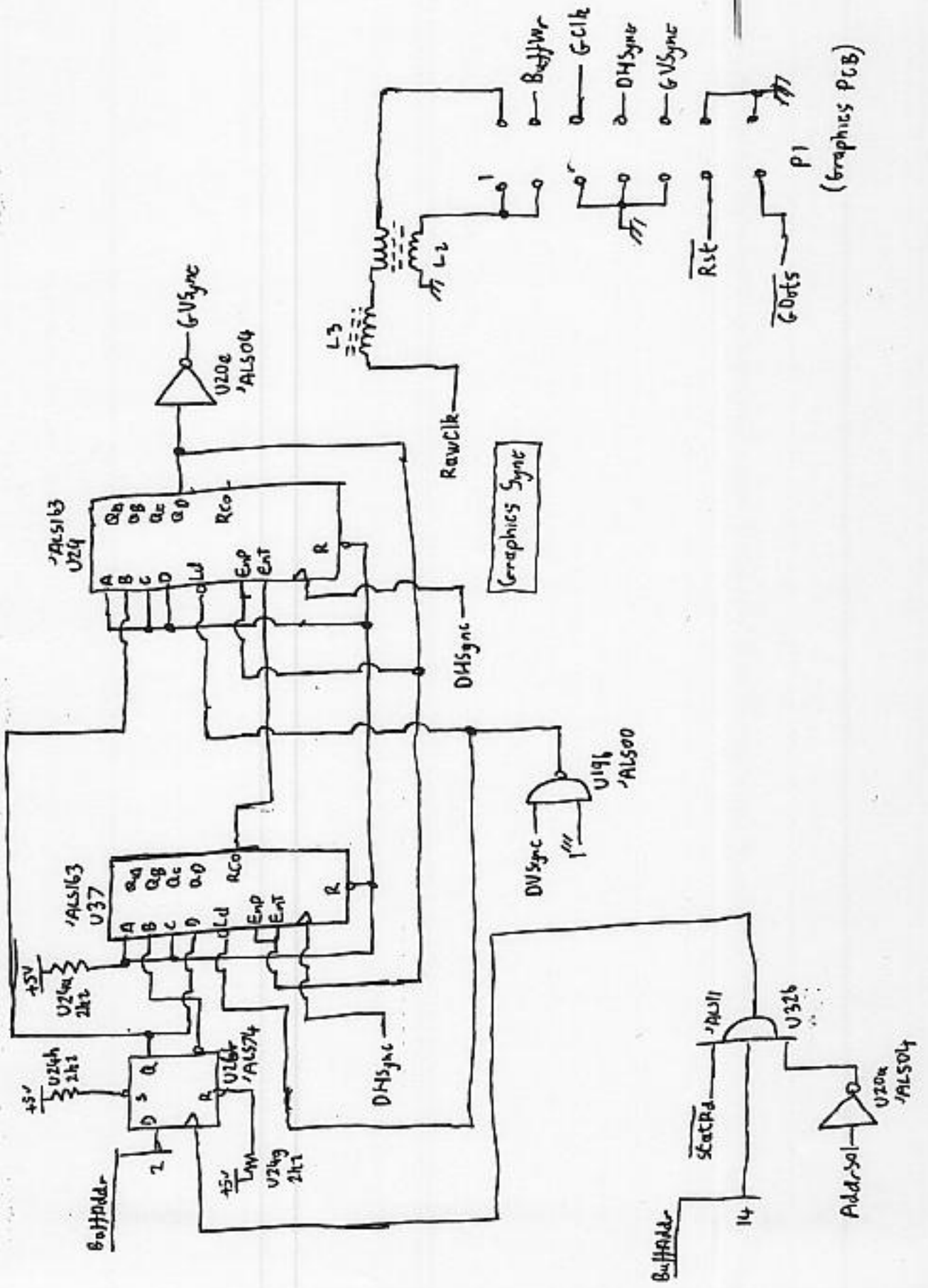
Data Path

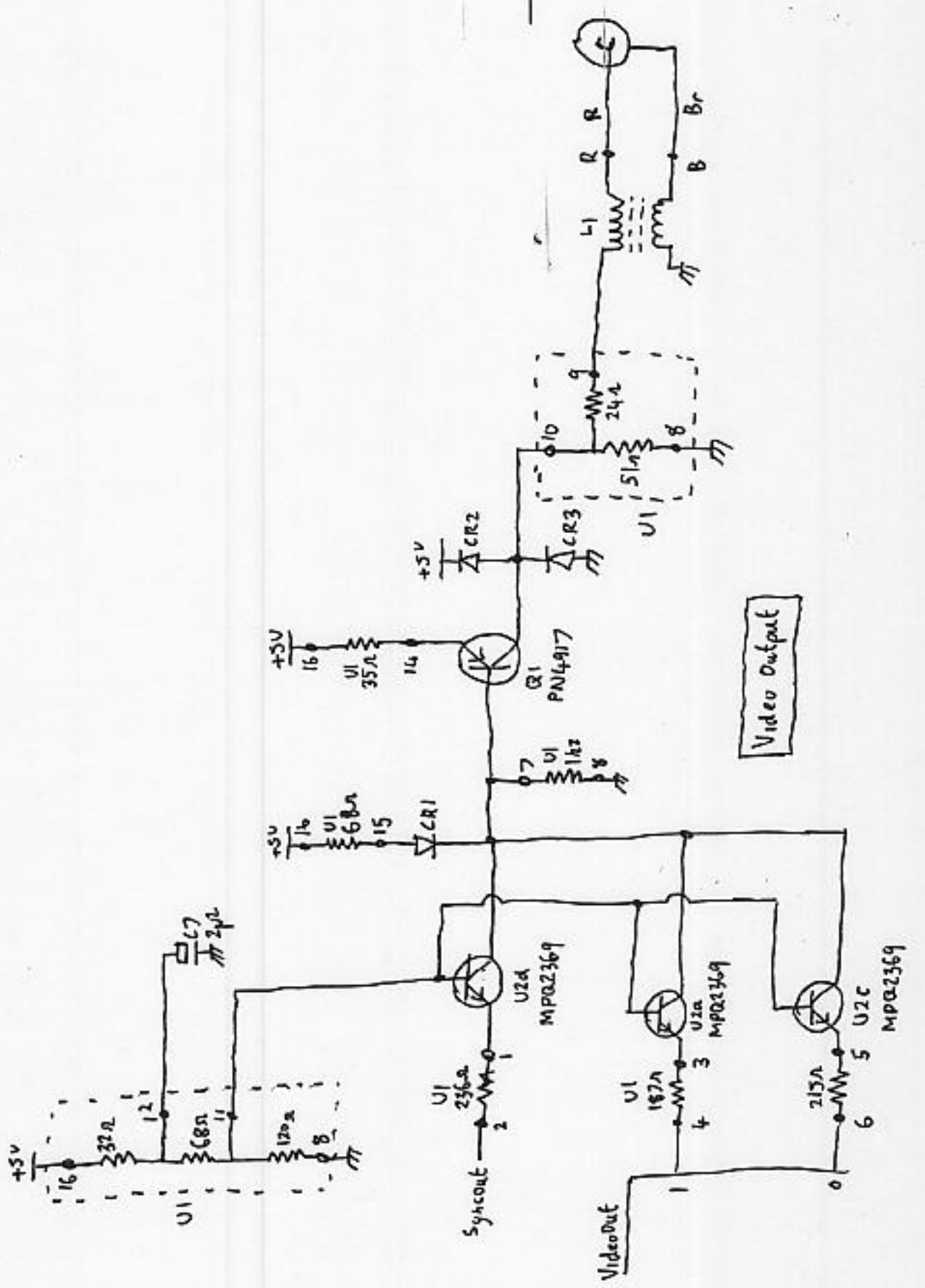
Character Generator

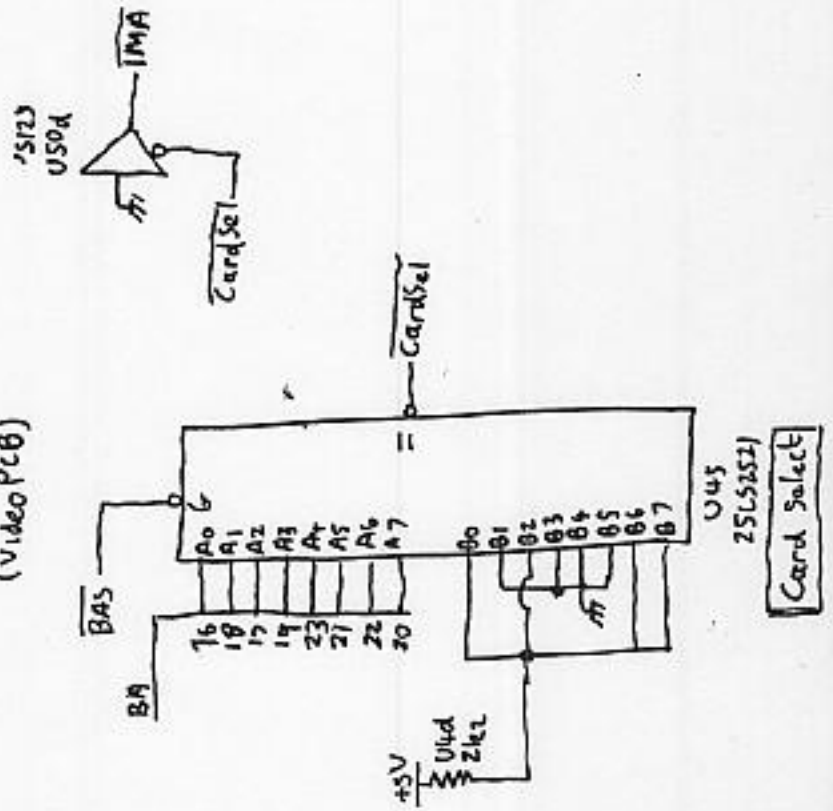
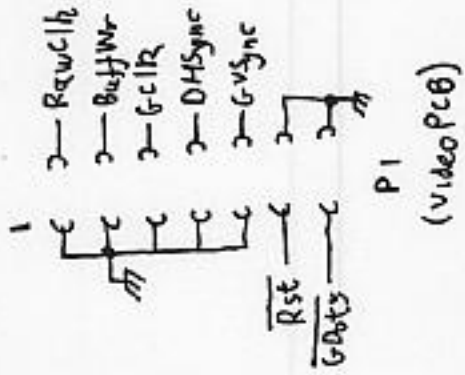
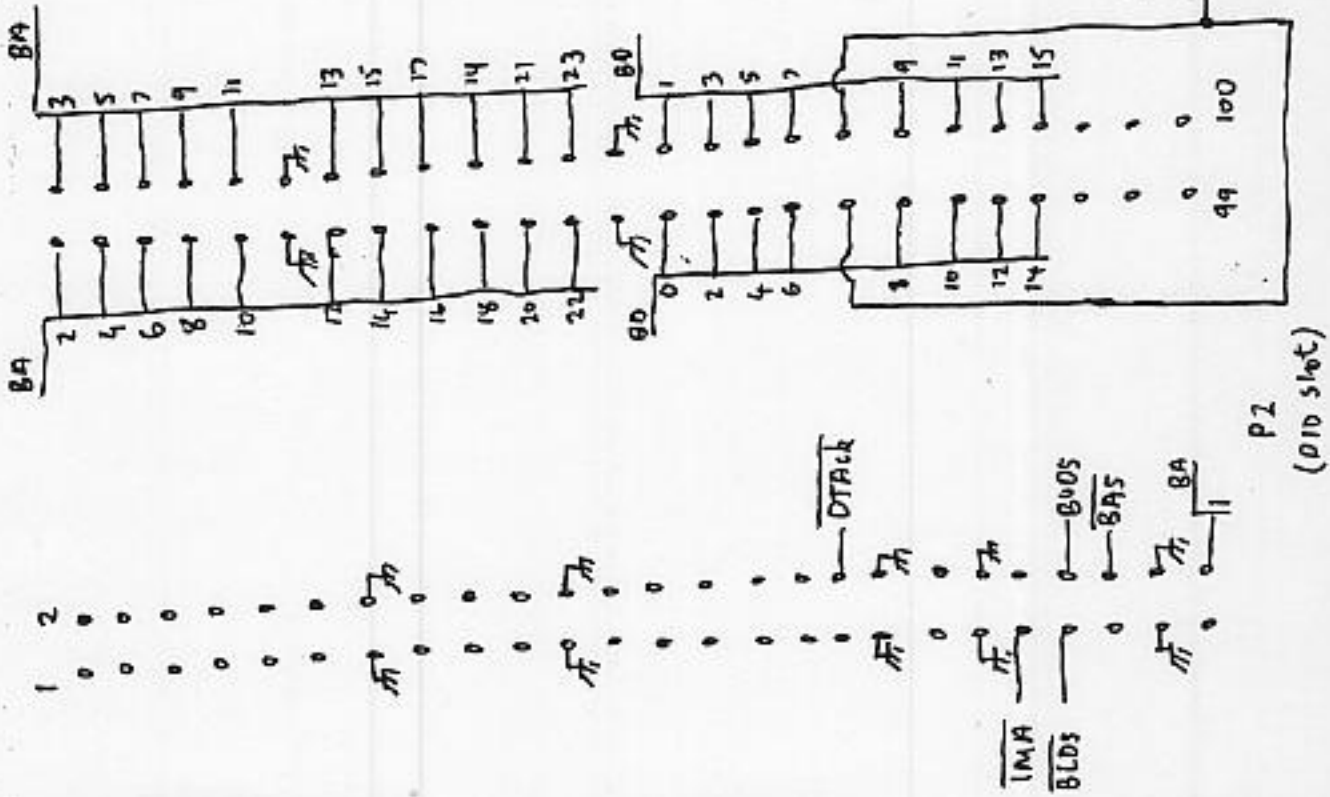


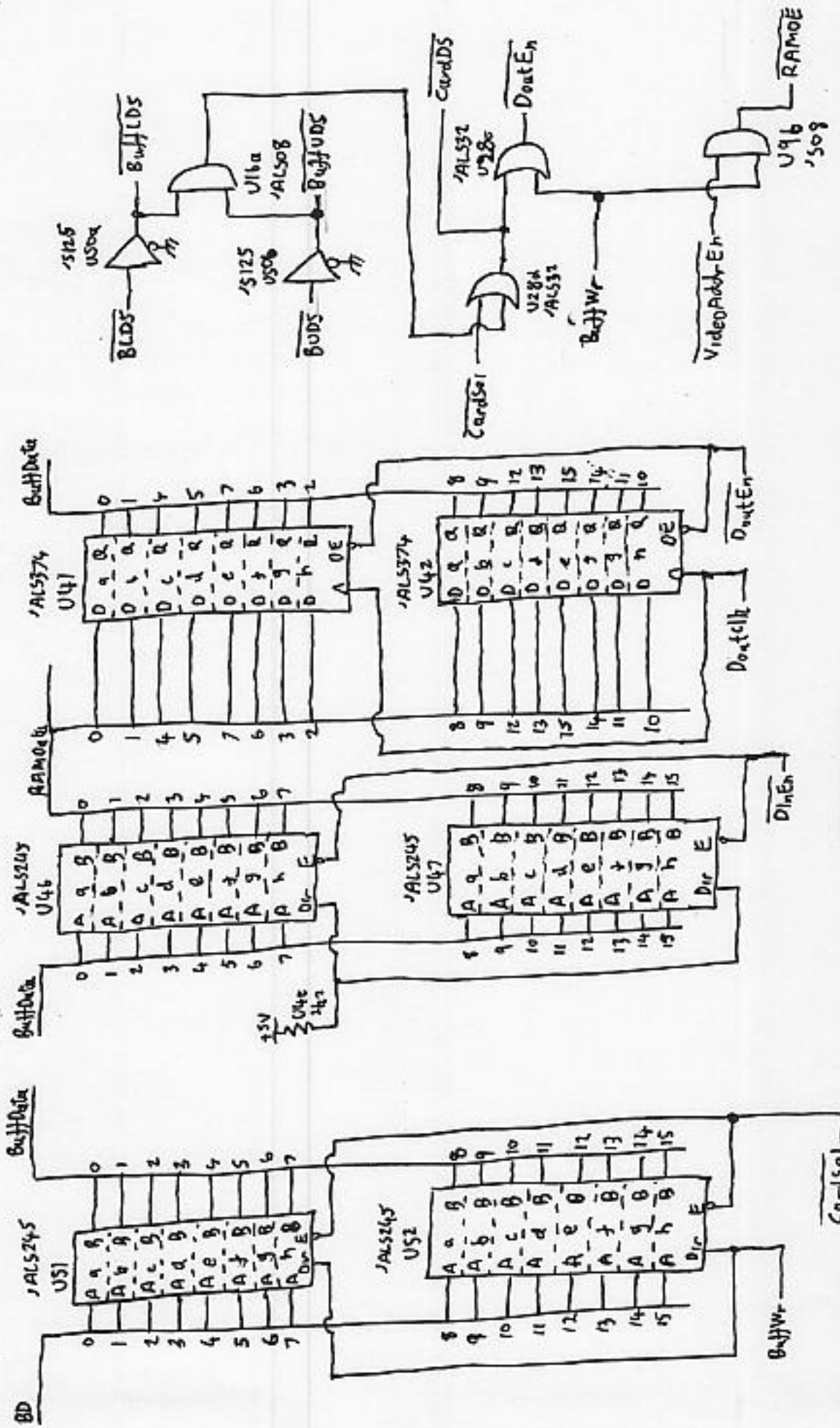


Sync Timing

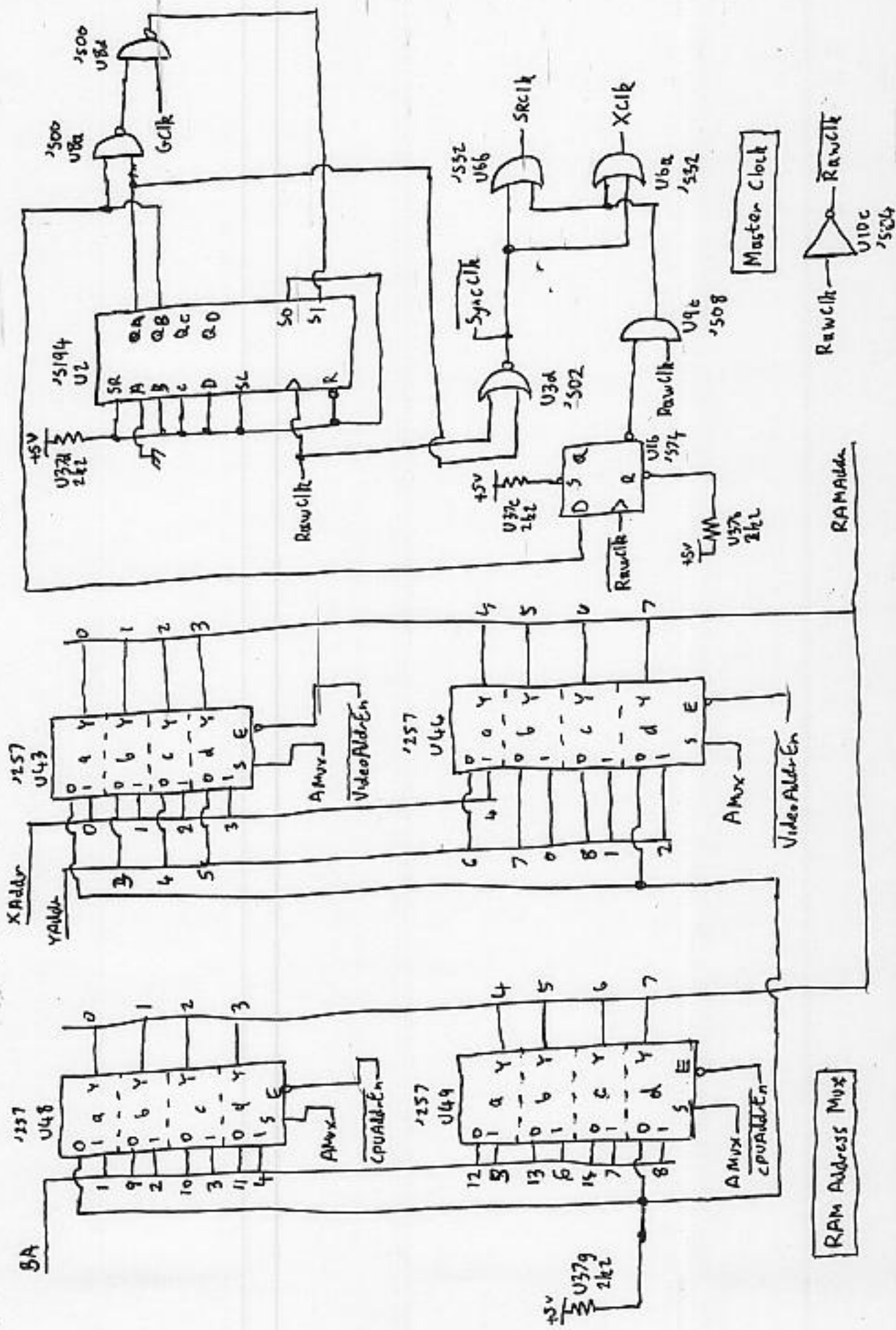


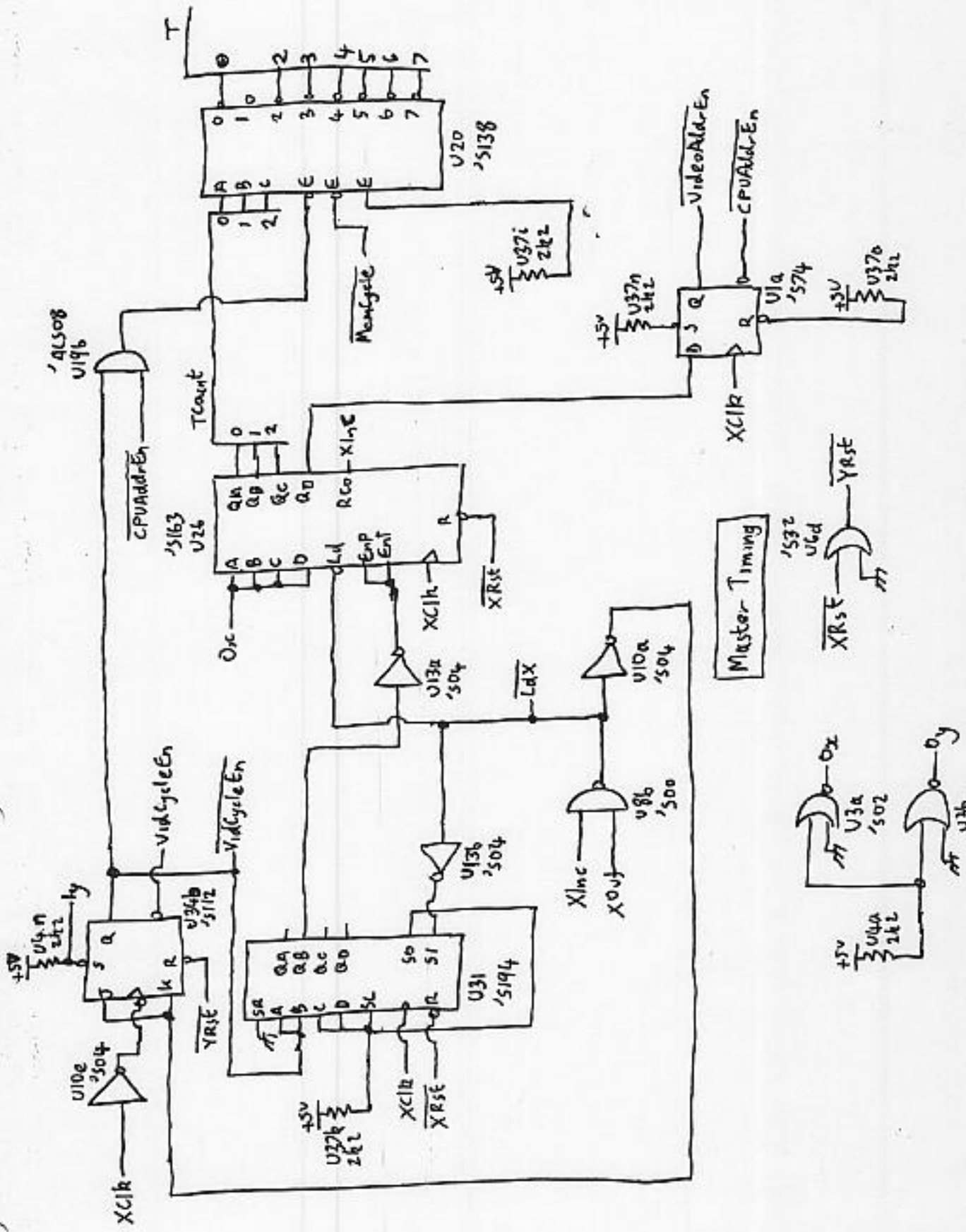






Data Buffers

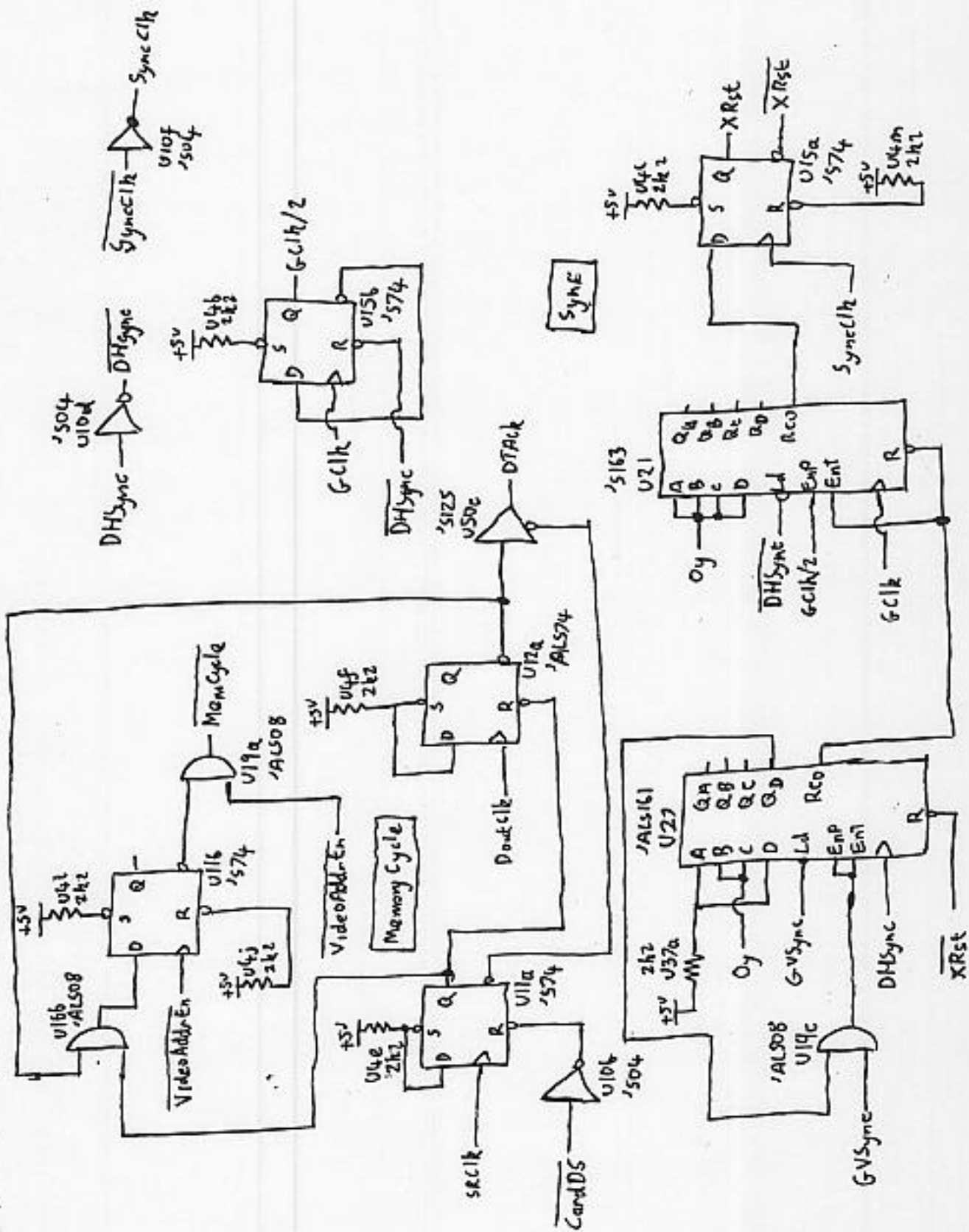




98206-6657Z

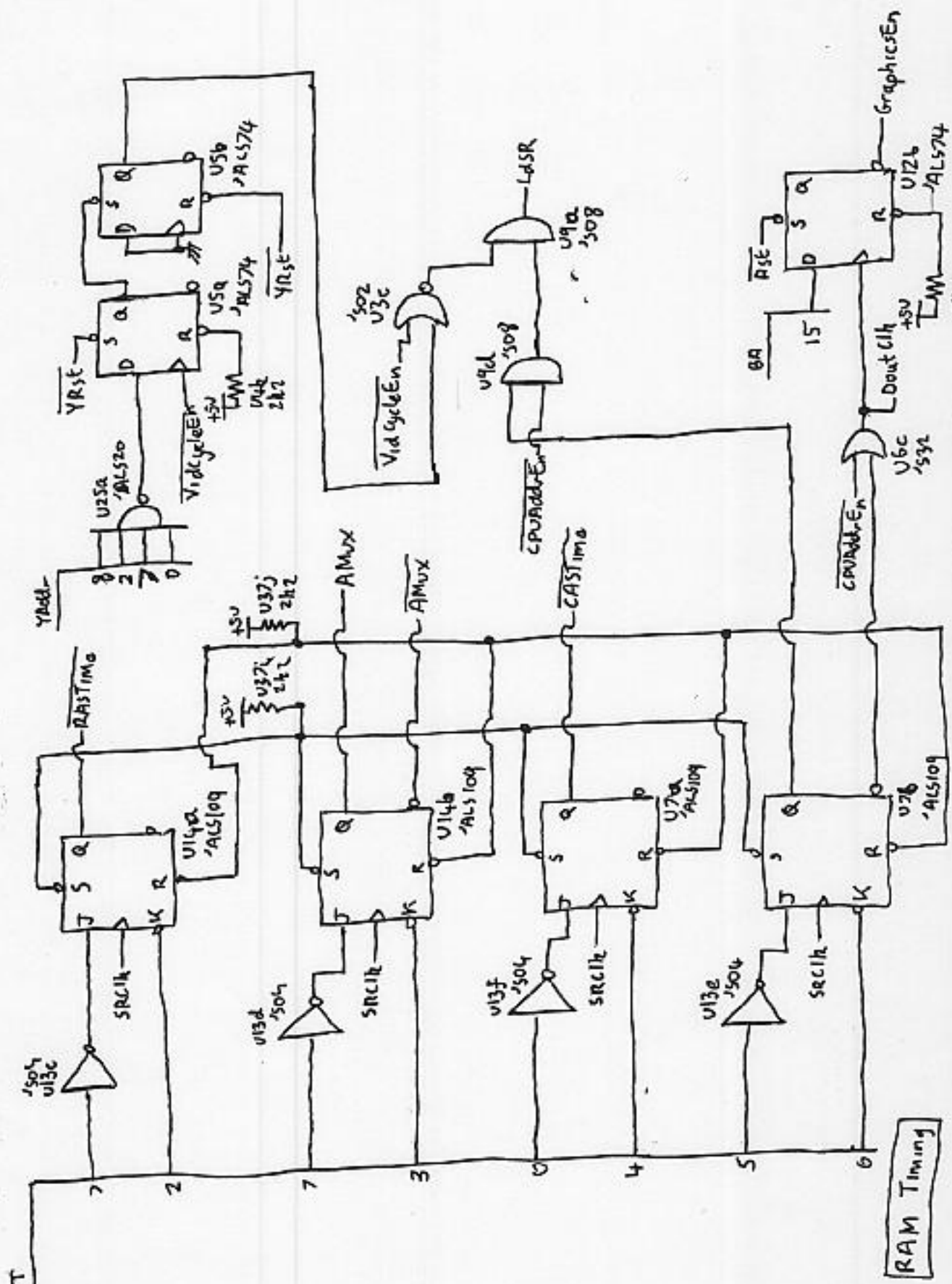
Sheet (4)

HP 98204B Graphics PCB



98204-66577

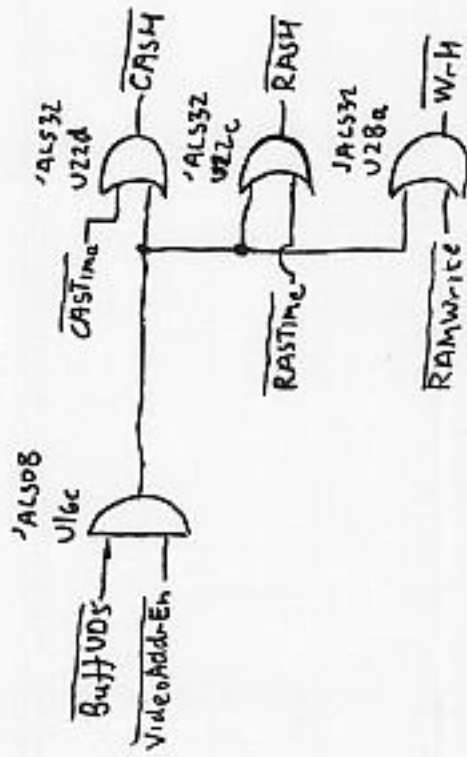
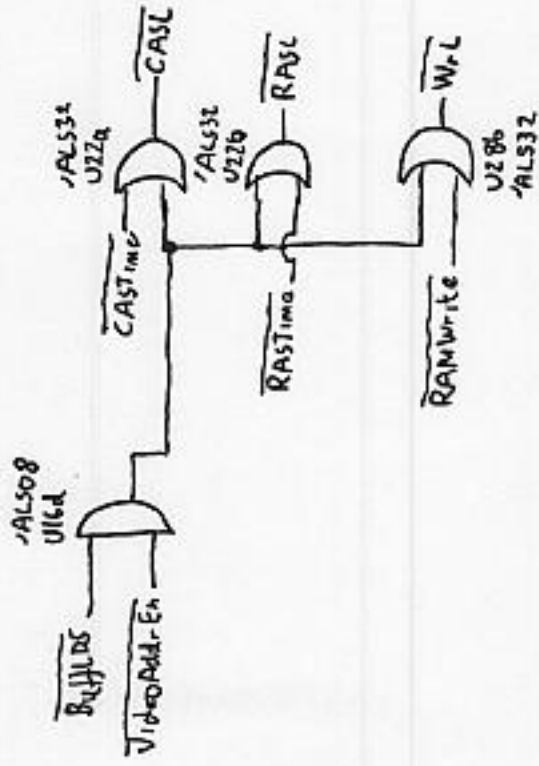
HP98204B Graphics PCB Sheet 5



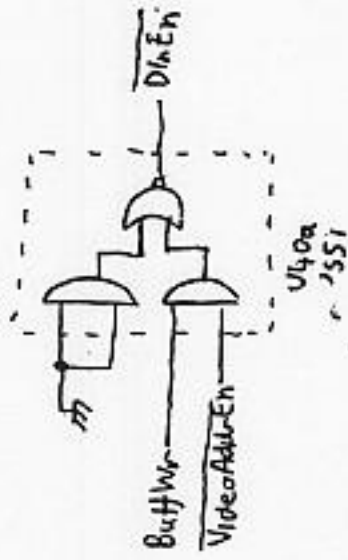
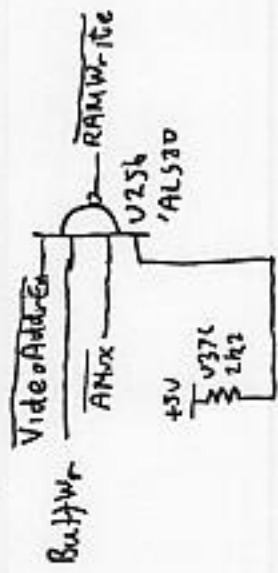
98204-66577

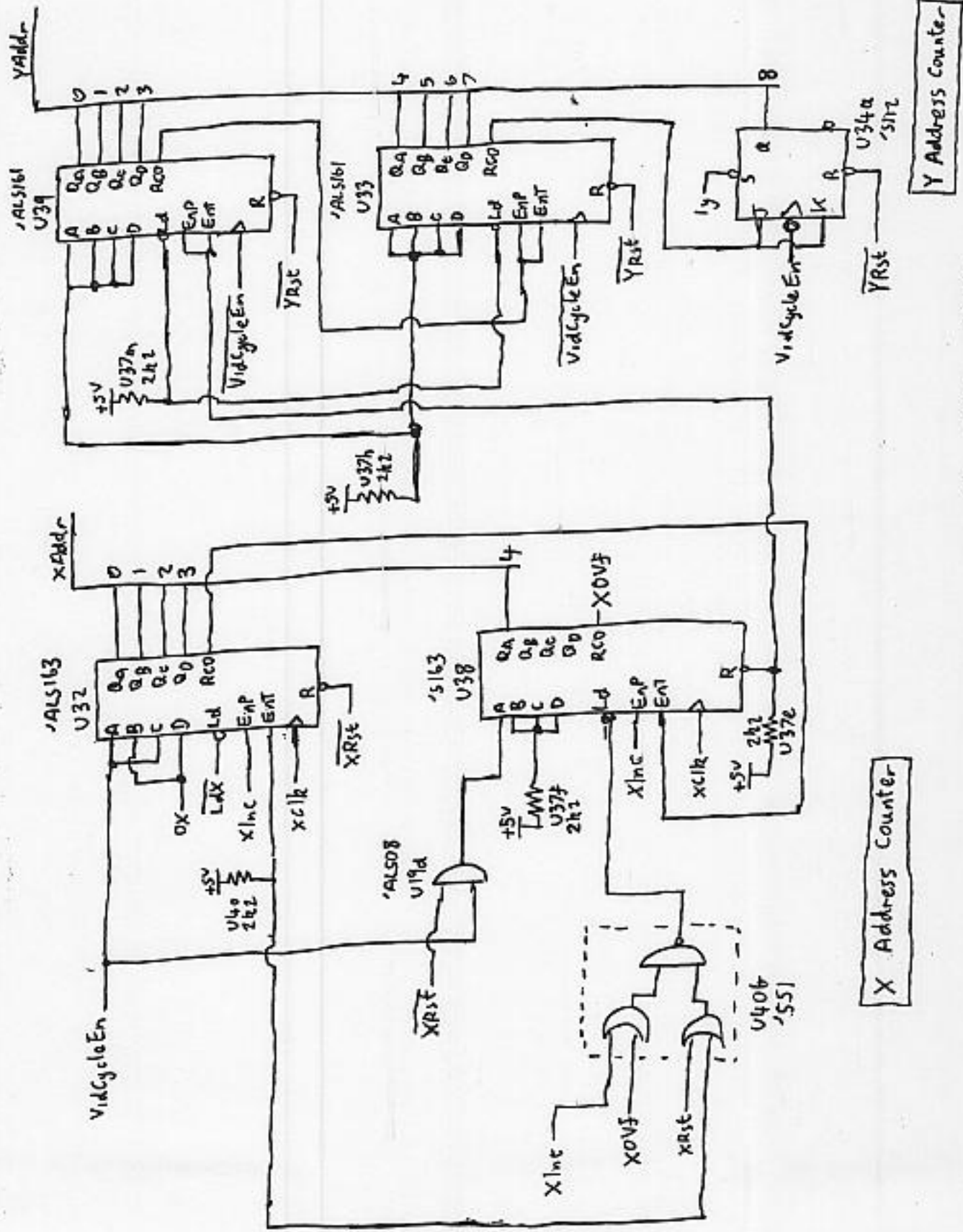
HP98204-B Graphics PCB Sheet 6

U49
2H2



RAM Control





X Address Counter

Y Address Counter

