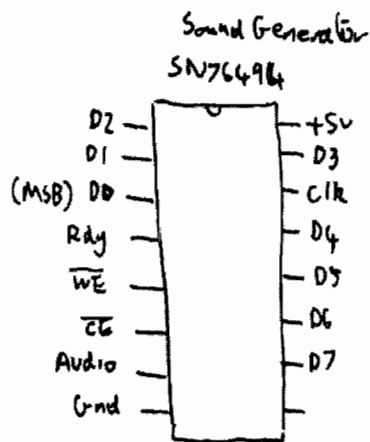
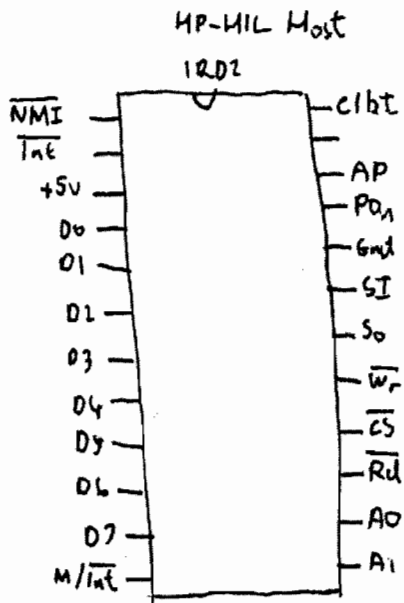
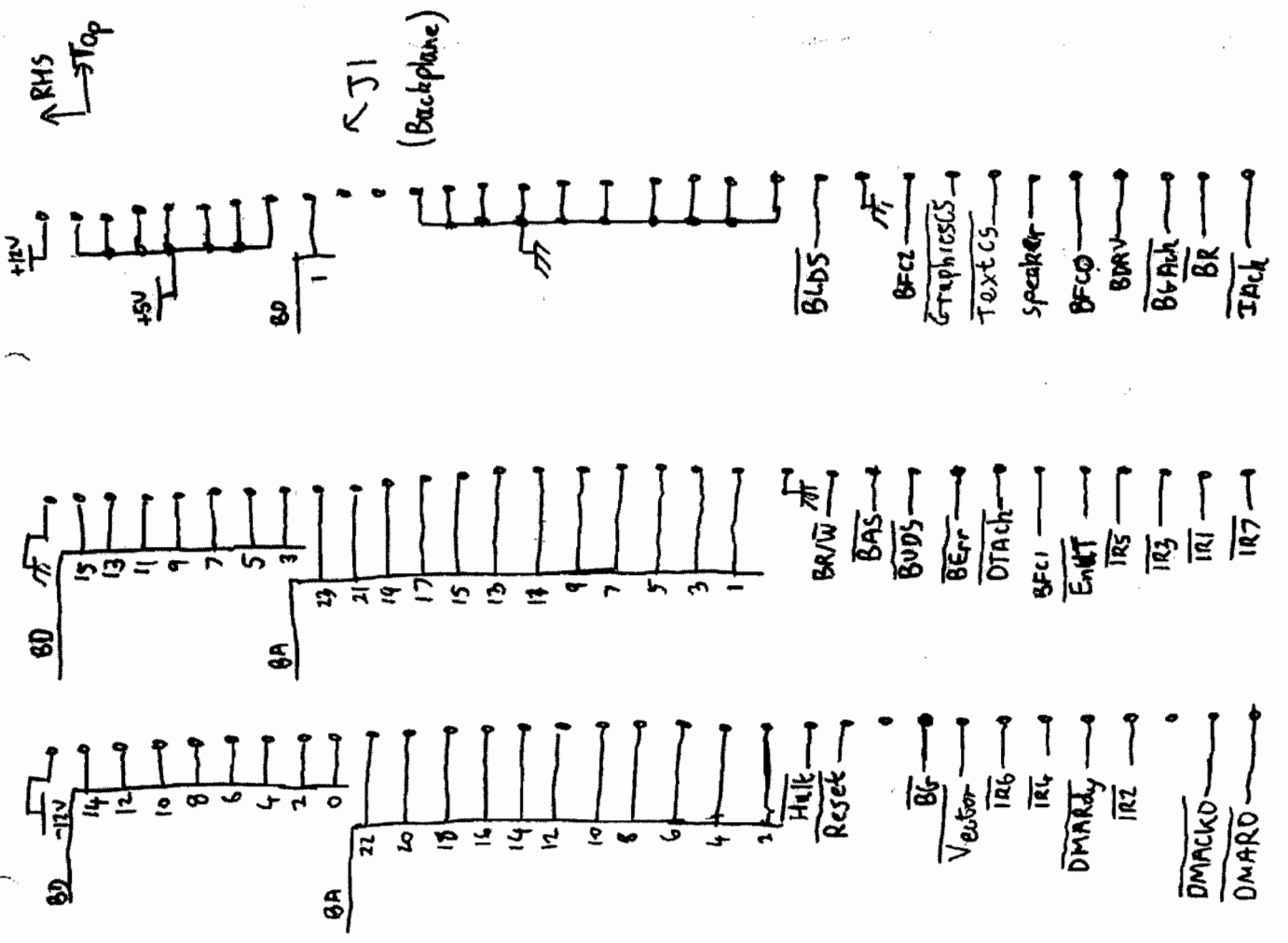


HP DIO Bus (HP9836, etc)

Comp Side	Solder Side
1 DMAR0*	2 DMAR1*
3 DMACK0*	4 DMACK1*
5 Spare 0	6 IR7*
7 IR2*	8 IR1*
9 DMARDY*	10 BG1*
11 BG2*	12 BG3*
13 Gnd	14 Gnd
15 IR4*	16 IR3*
17 IR6*	18 IR5*
19 Vector*	20 IACK*
21 Gnd	22 Gnd
23 BG*	24 BR*
25 Done*	26 BGACK*
27 Spare 1	28 Spare 2
29 BDRV*	30 ENDT*
31 BFC0*	32 BFC1*
33 BFC2*	34 DTACK*
35 Gnd	36 Gnd
37 Reset*	38 BErr*
39 Gnd	40 Gnd
41 IMA*	42 Fold*
43 BLDS*	44 BUDS*
45 BR/W*	46 BAS*
47 Gnd	48 Gnd
49 Halt*	50 BA1
51 BA2	52 BA3
53 BA4	54 BA5
55 BA6	56 BA7
57 BA8	58 BA9
59 BA10	60 BA11
61 Gnd	62 Gnd
63 BA12	64 BA13
65 BA14	66 BA15
67 BA16	68 BA17
69 BA18	70 BA19
71 BA20	72 BA21
73 BA22	74 BA23
75 Gnd	76 Gnd
77 BD0	78 BD1
79 BD2	80 BD3
81 BD4	82 BD5
83 BD6	84 BD7
85 +5V	86 +5V
87 BD8	88 BD9
89 BD10	90 BD11
91 BD12	92 BD13
93 BD14	94 BD15
95 DGnd	96 DGnd
97 Spare 3	98 Spare 4
99 -12V	100 +12V

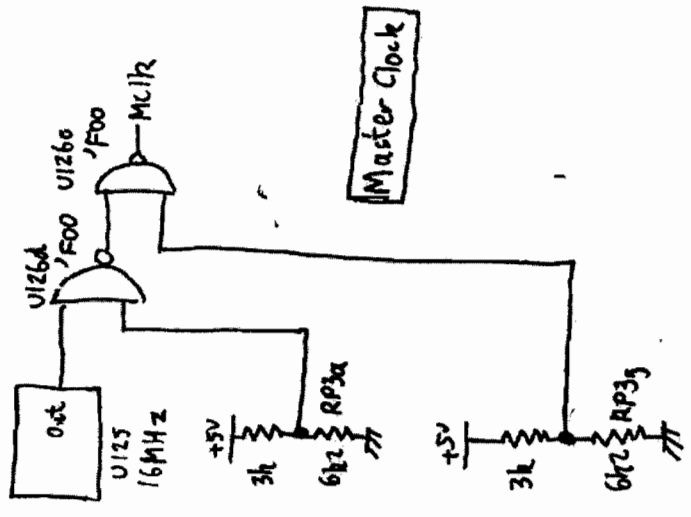
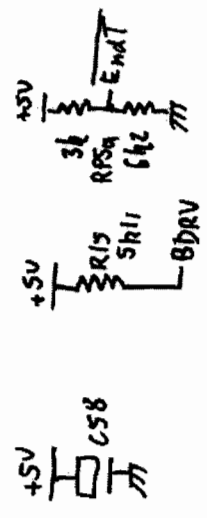
9817

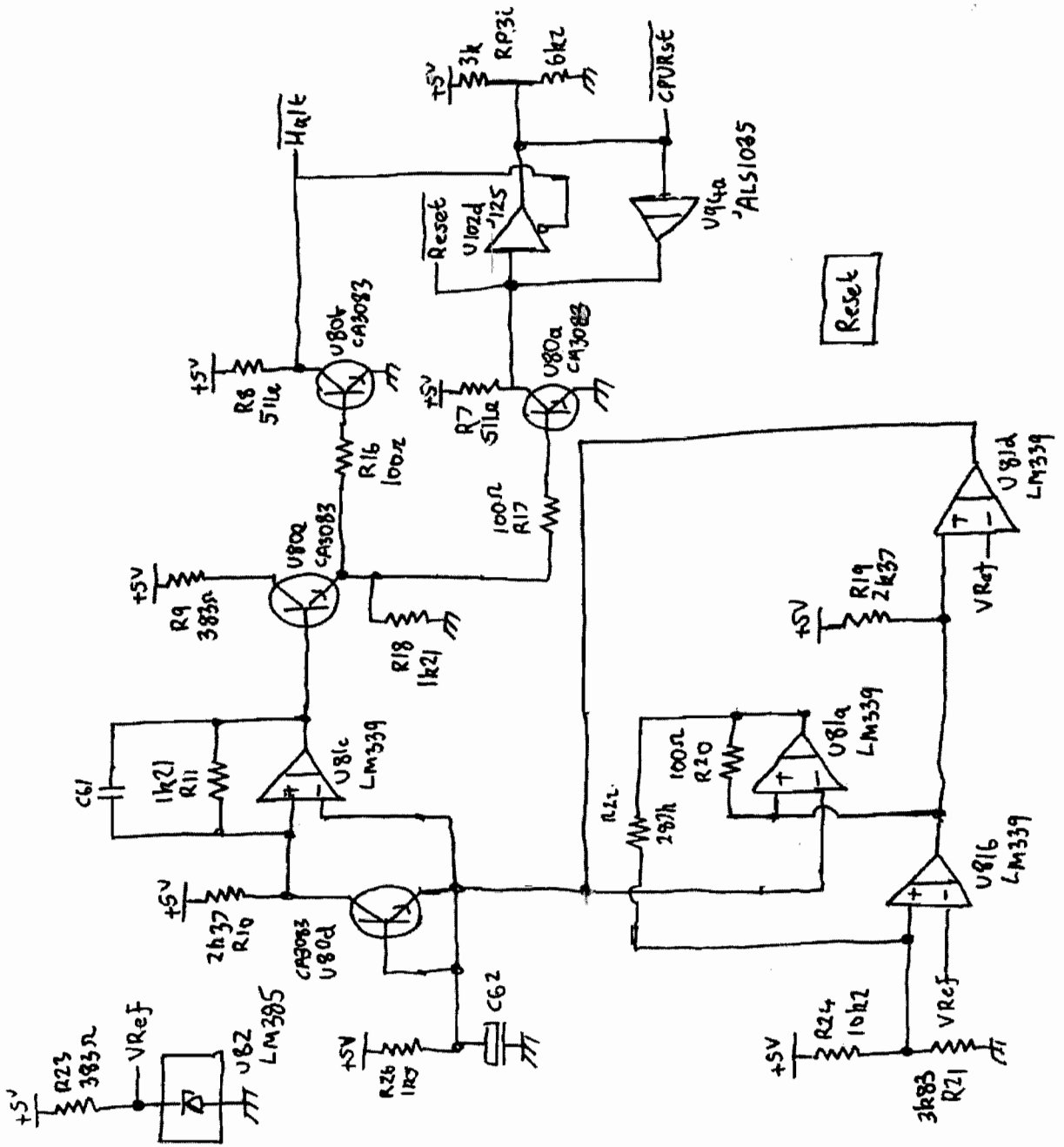




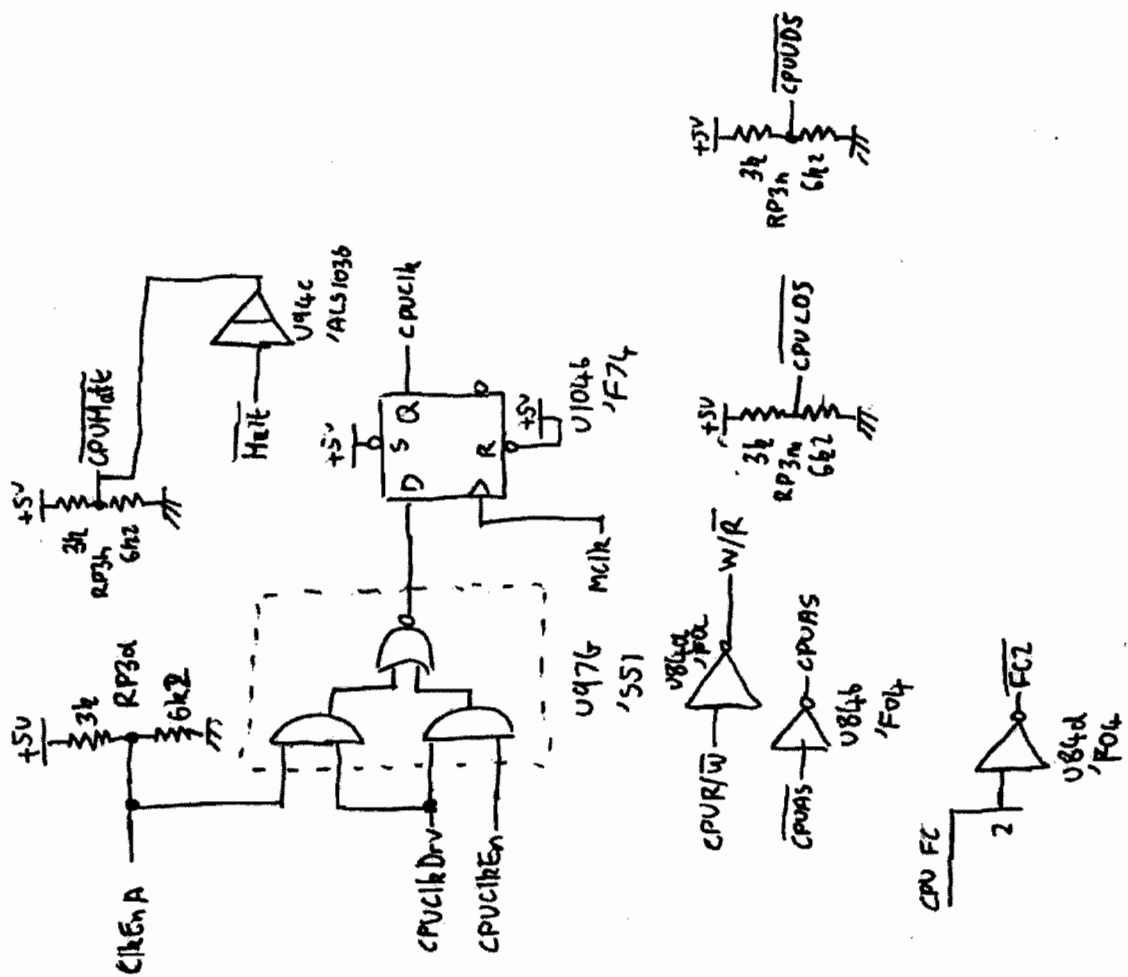
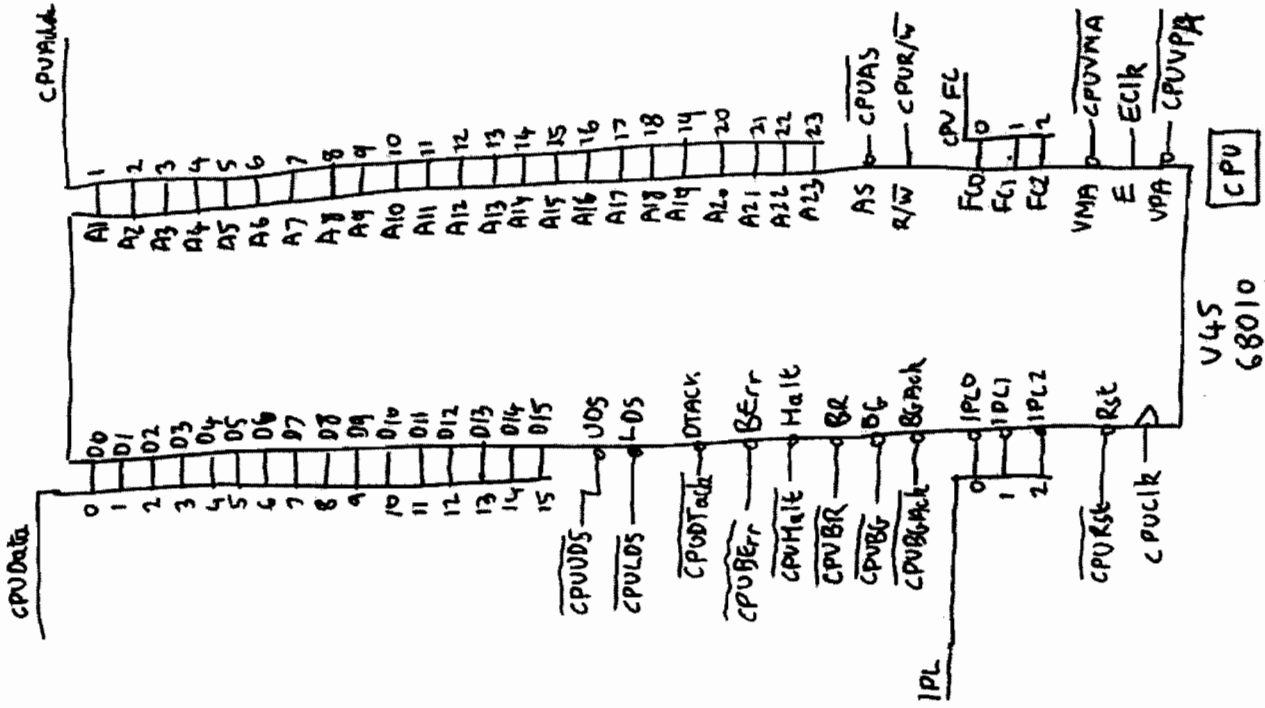
↑ RMS
→ Stop

← J1
(Backplane)

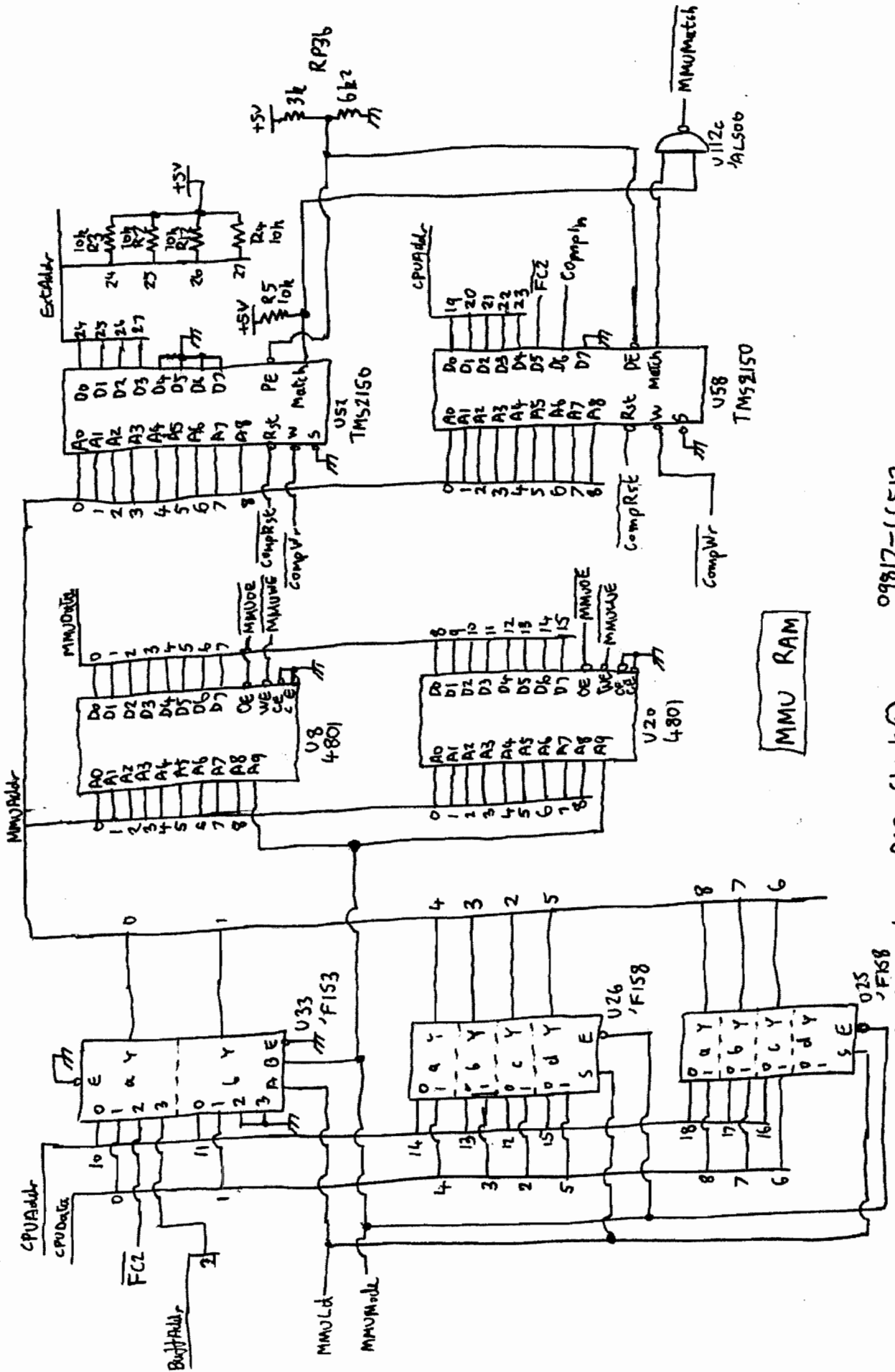




HP9817 Logic PCB sheet (2) 09817-66512

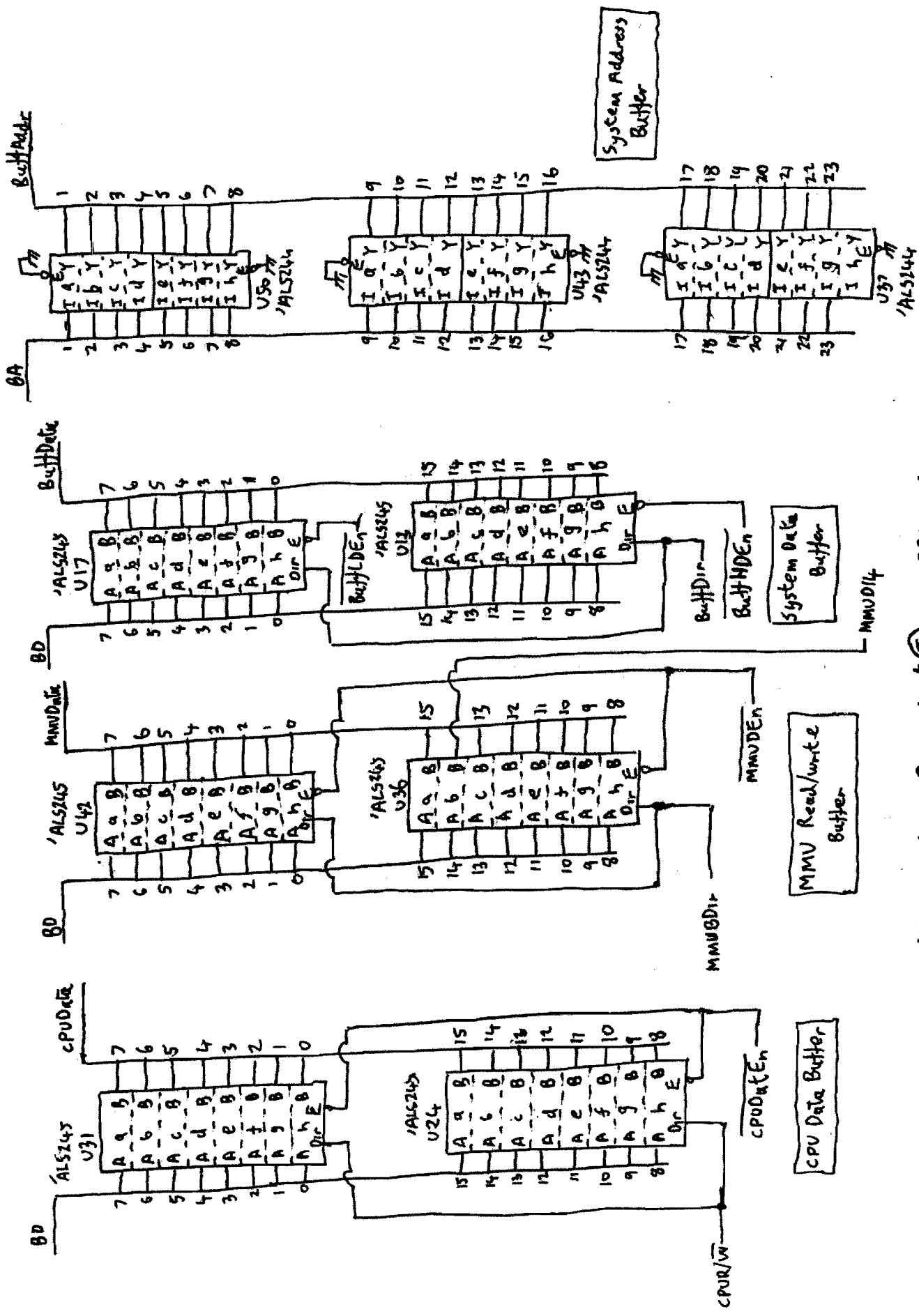


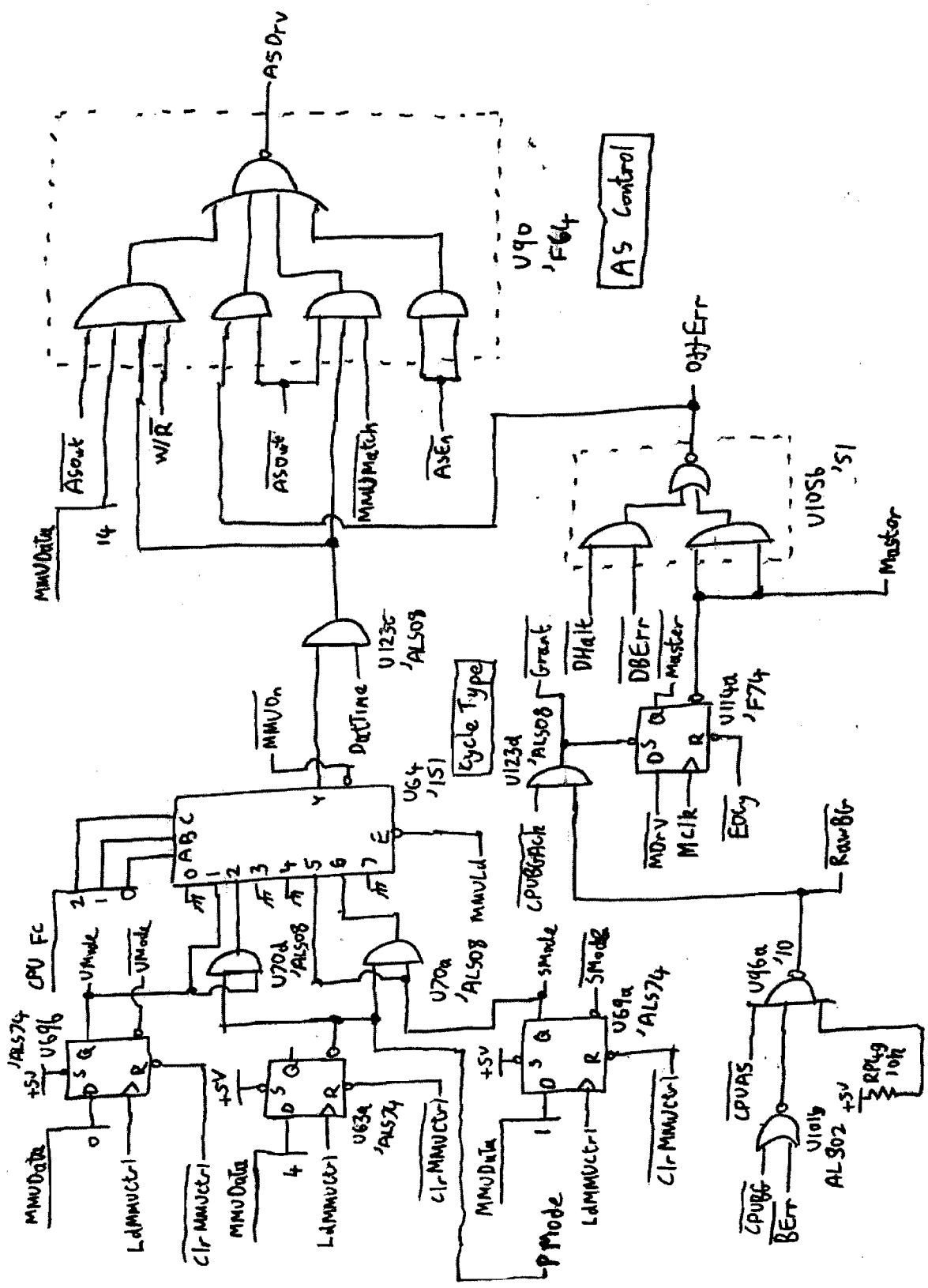
HP9817 Logic PCB Sheet 3 09817-66512



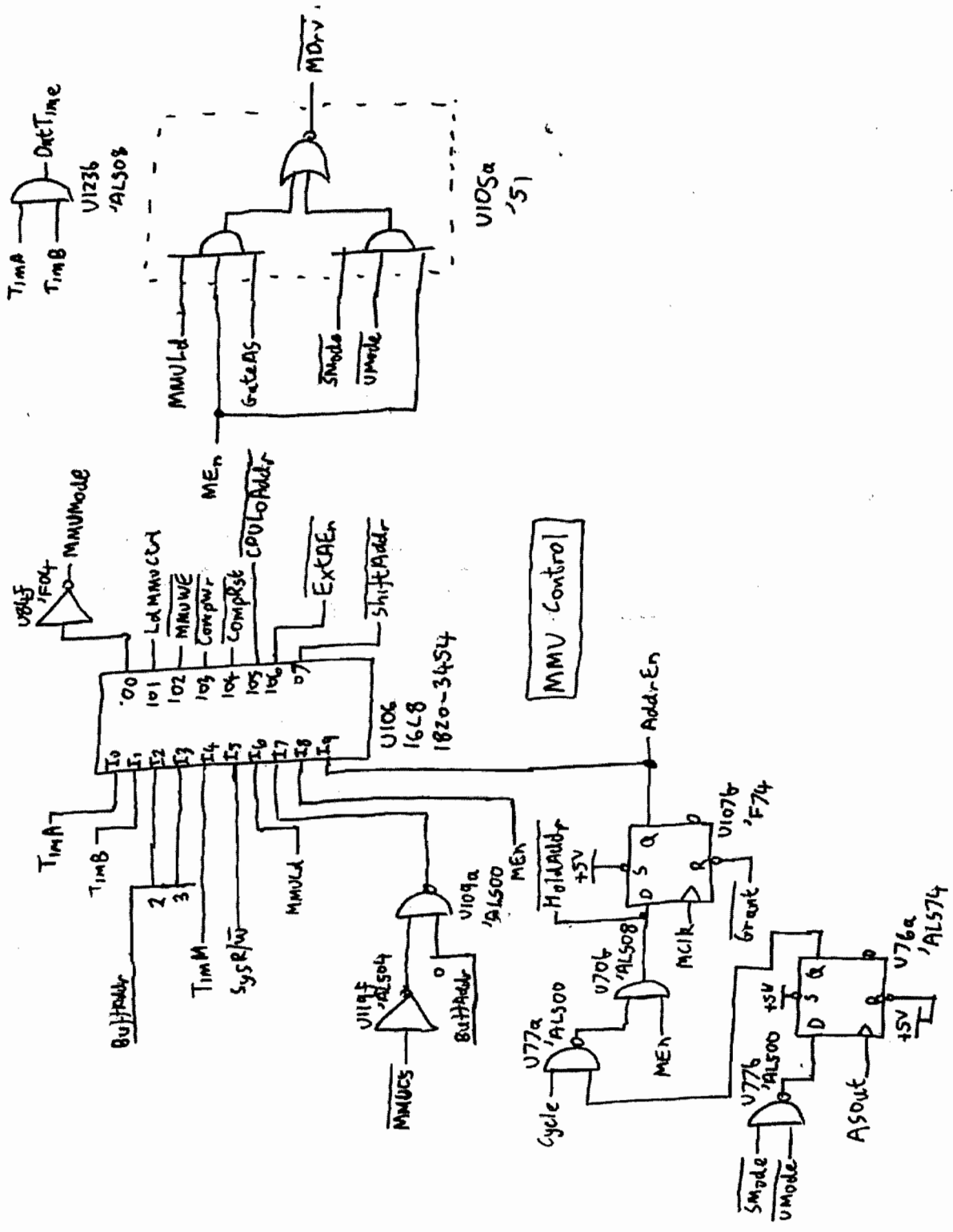
09817-66512

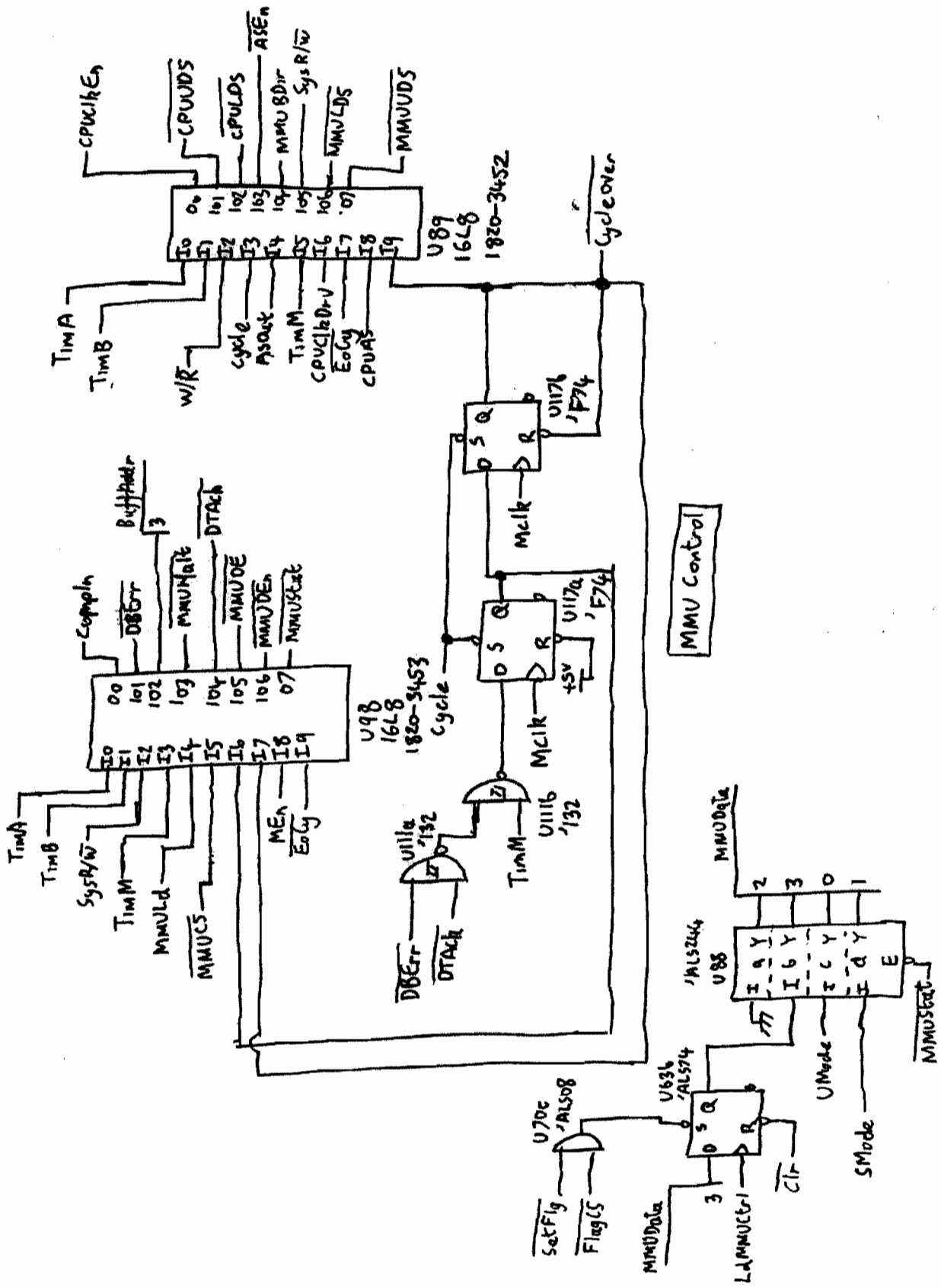
MP9817 Logic PCB Sheet (4)

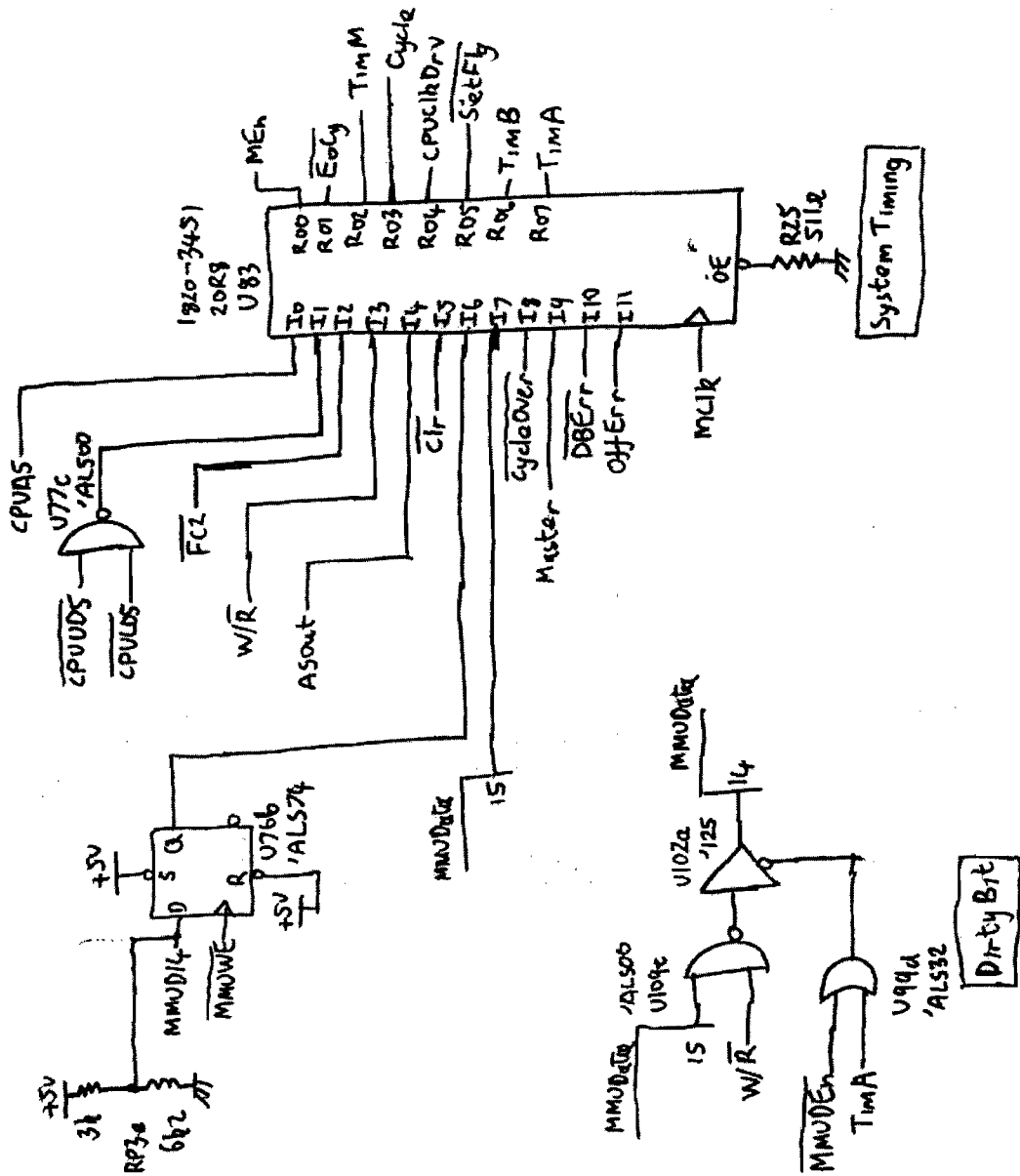


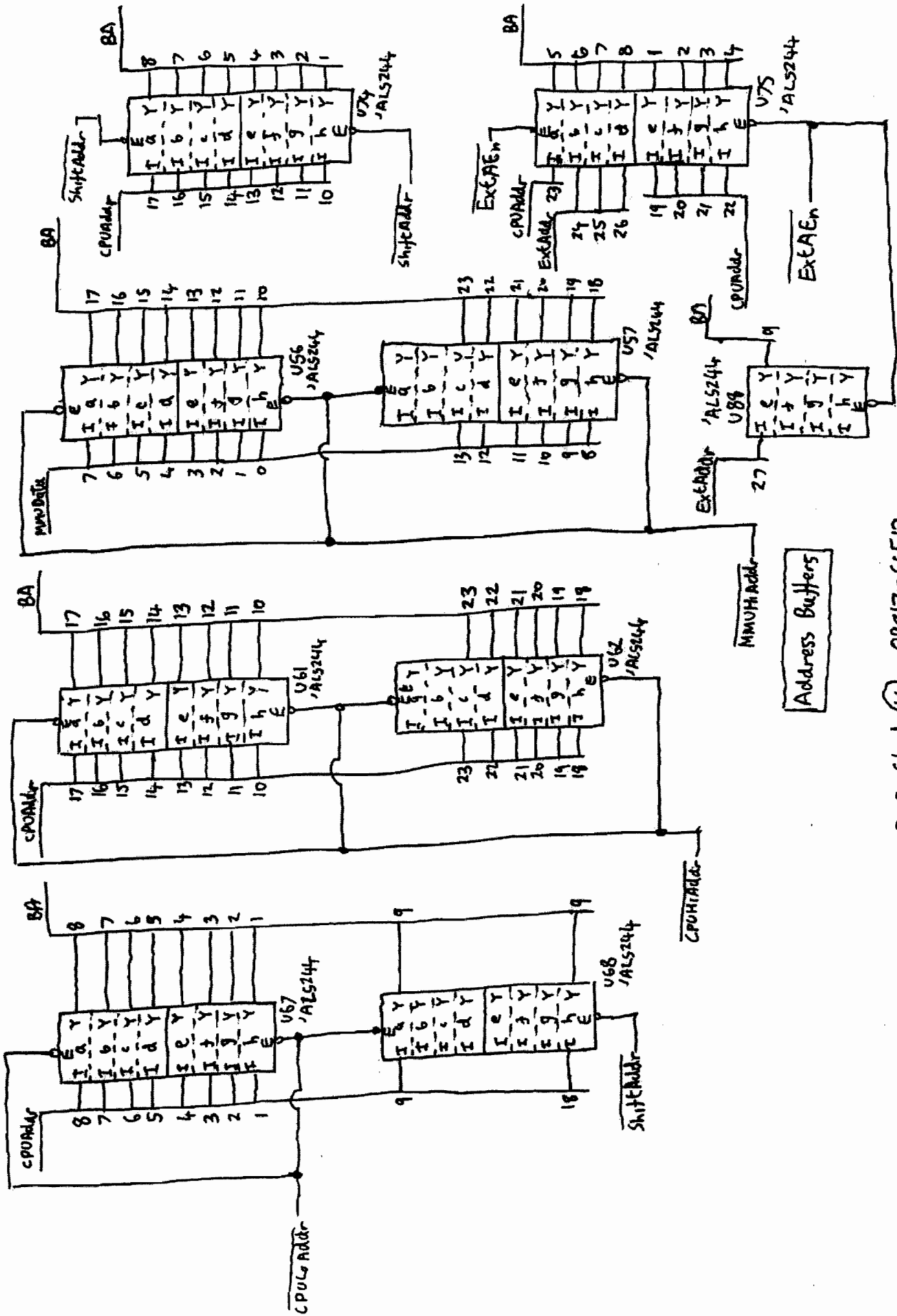


HP9817 Logic PCB Sheet ⑦ 09817-66512

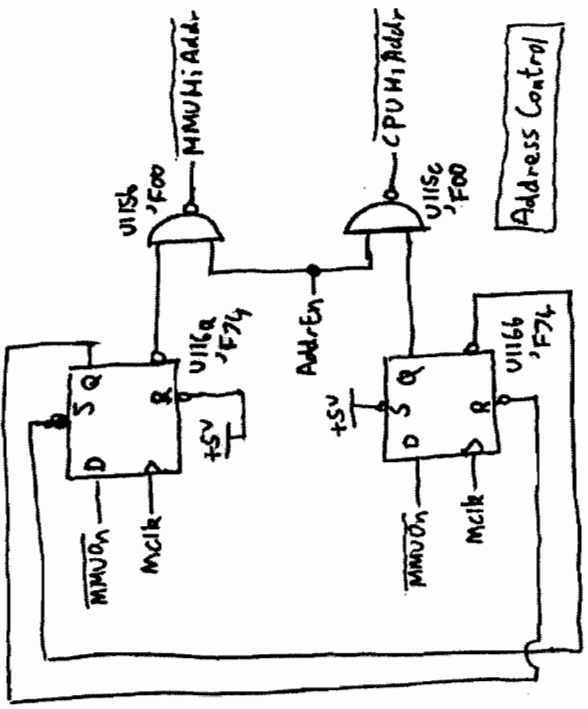
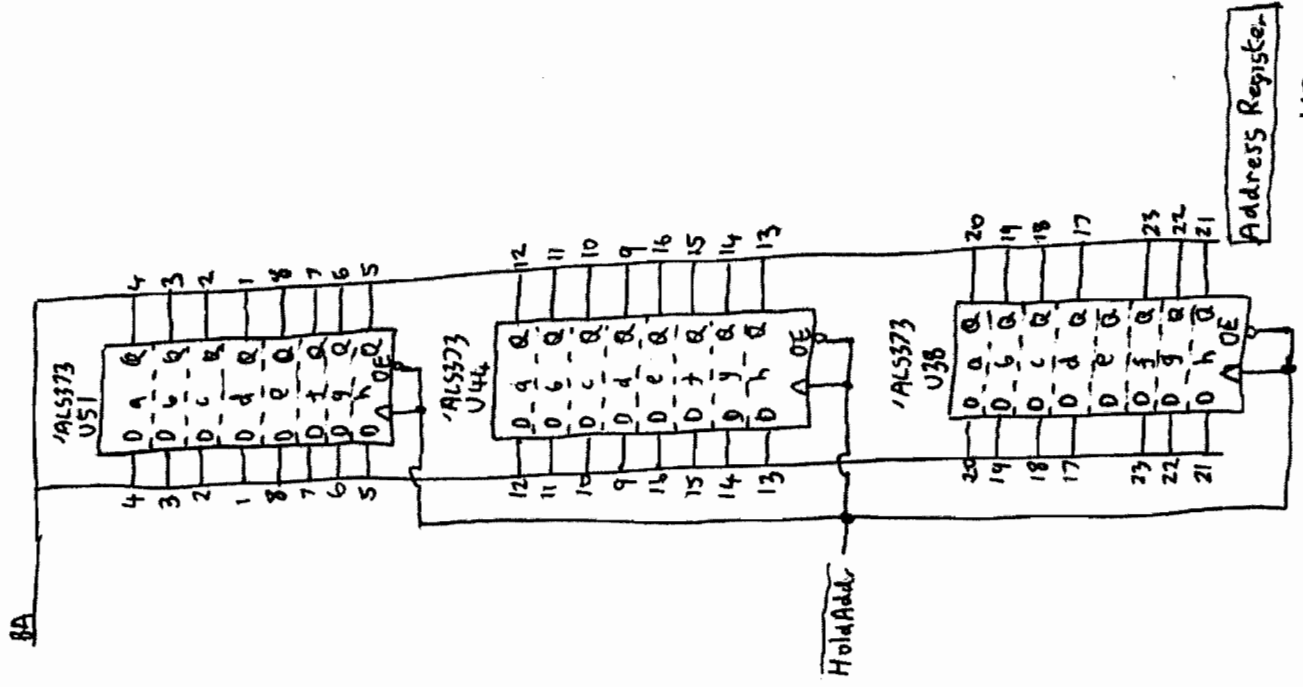






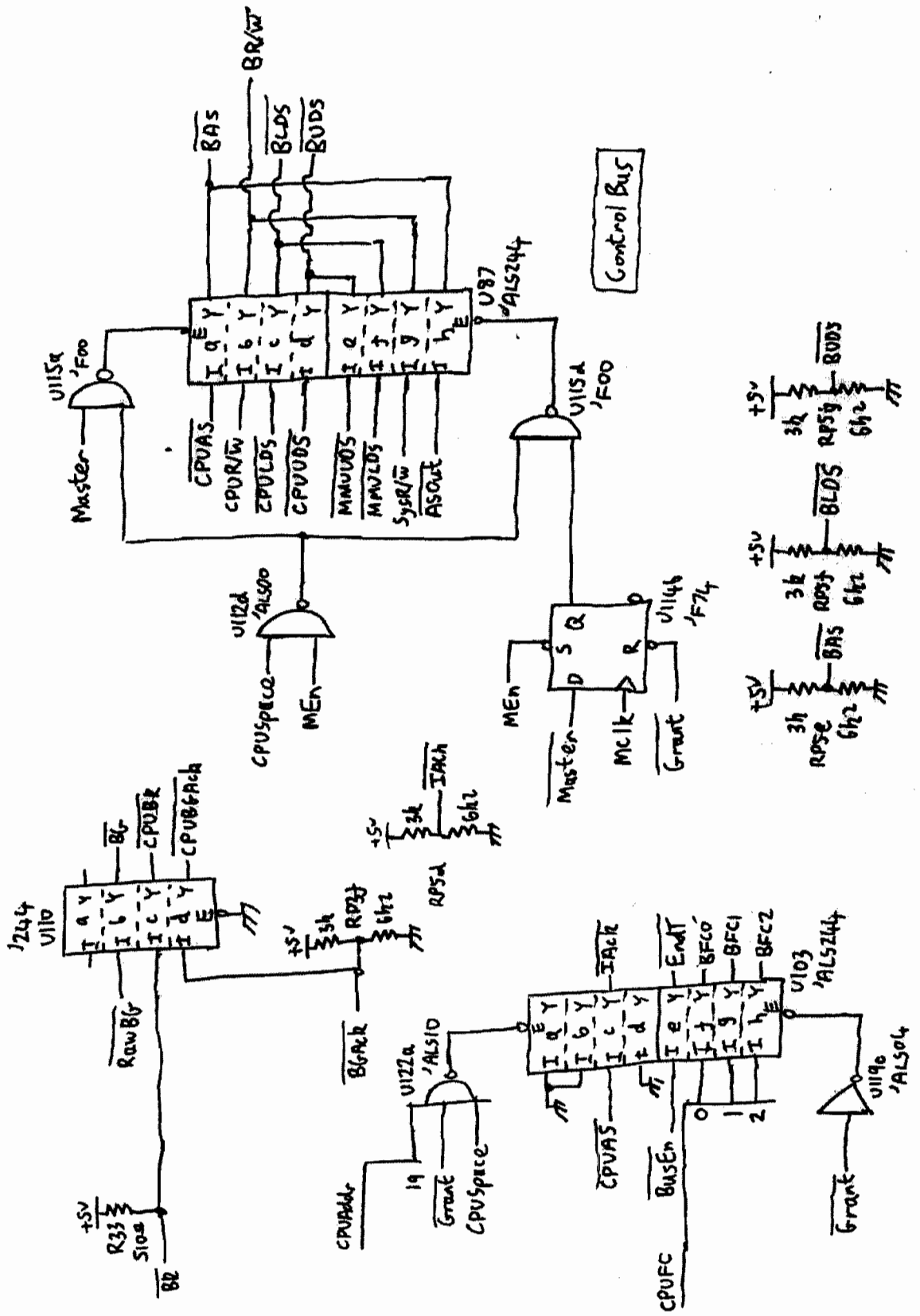


Address Buffers



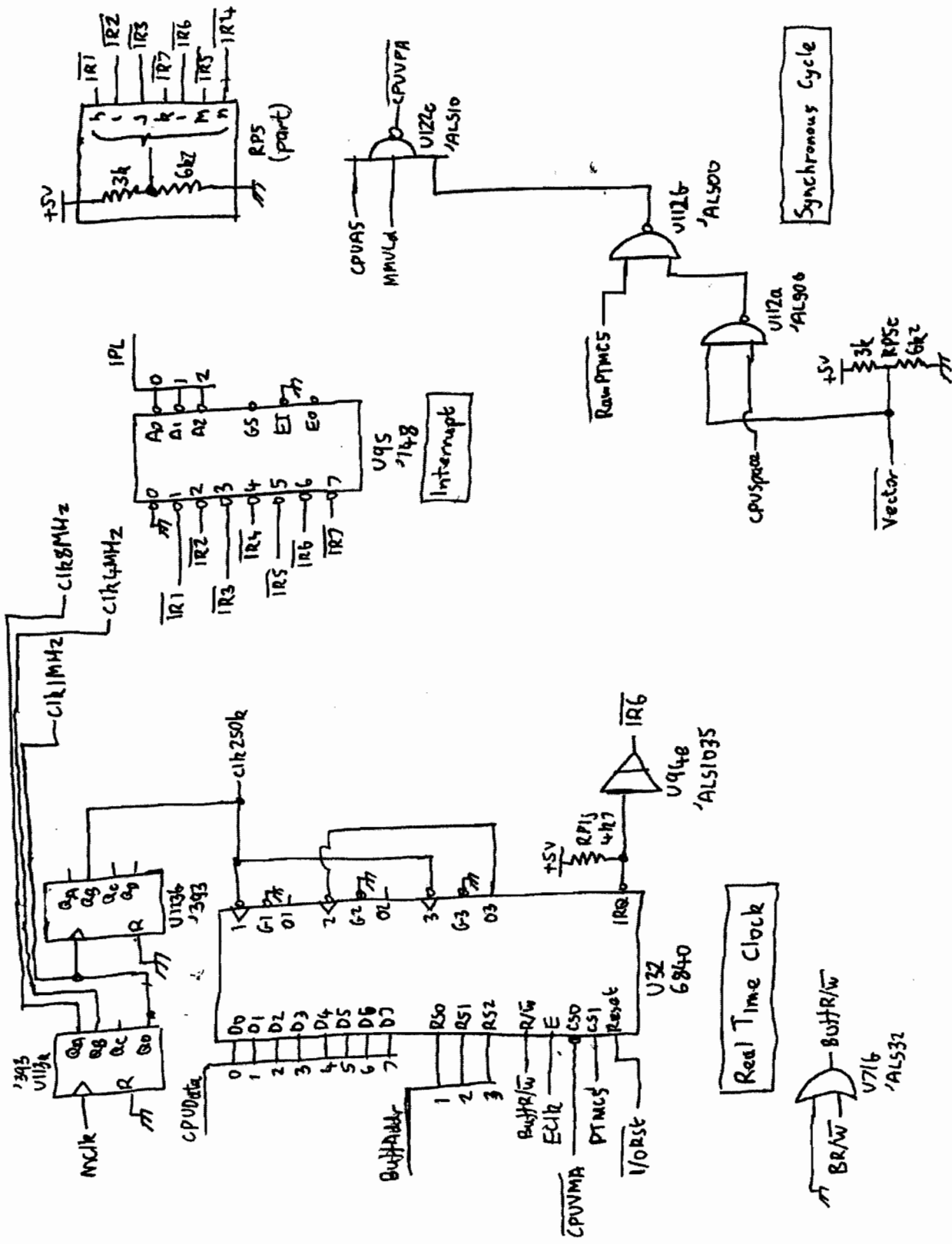
Address Register

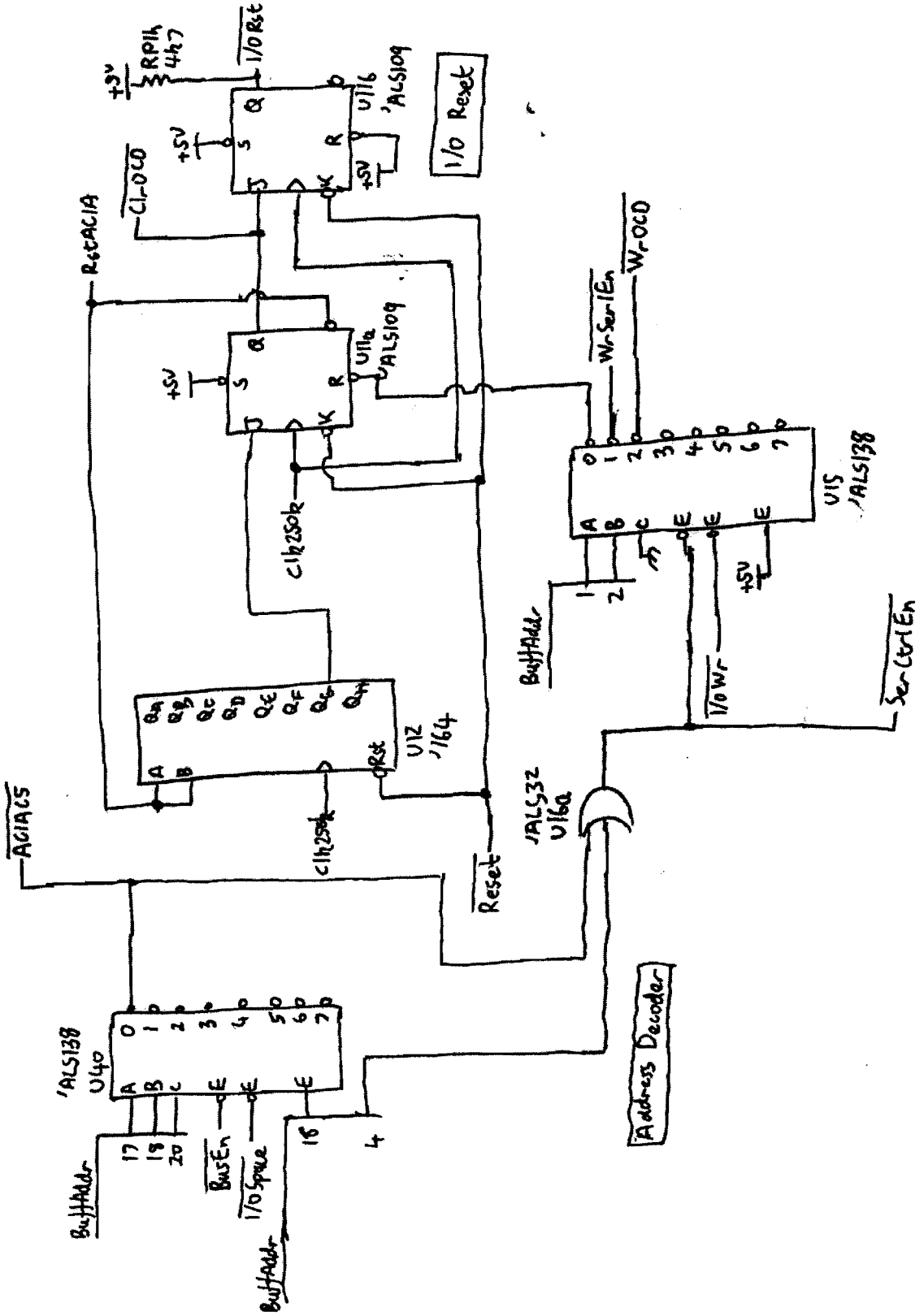
Address Control

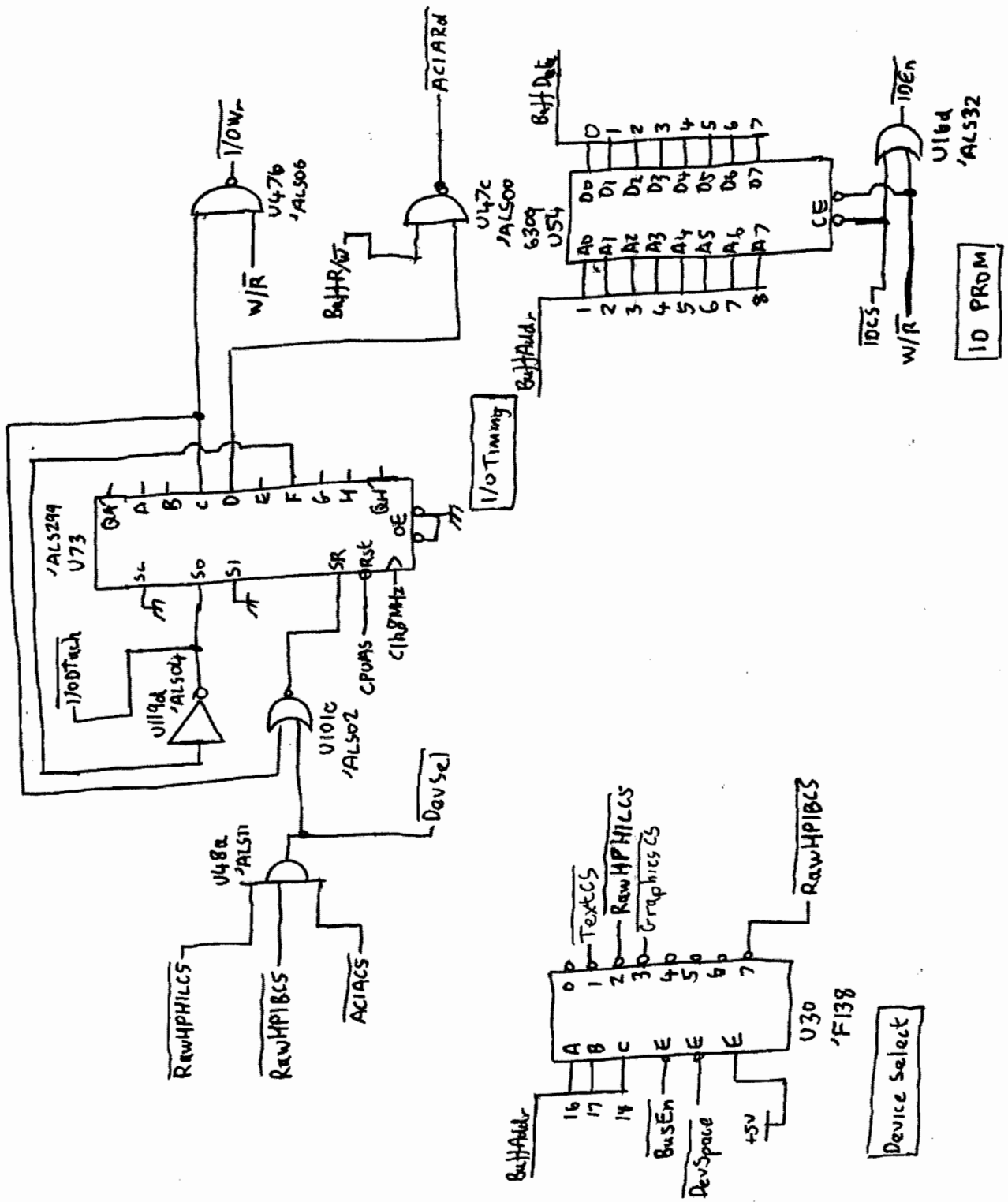


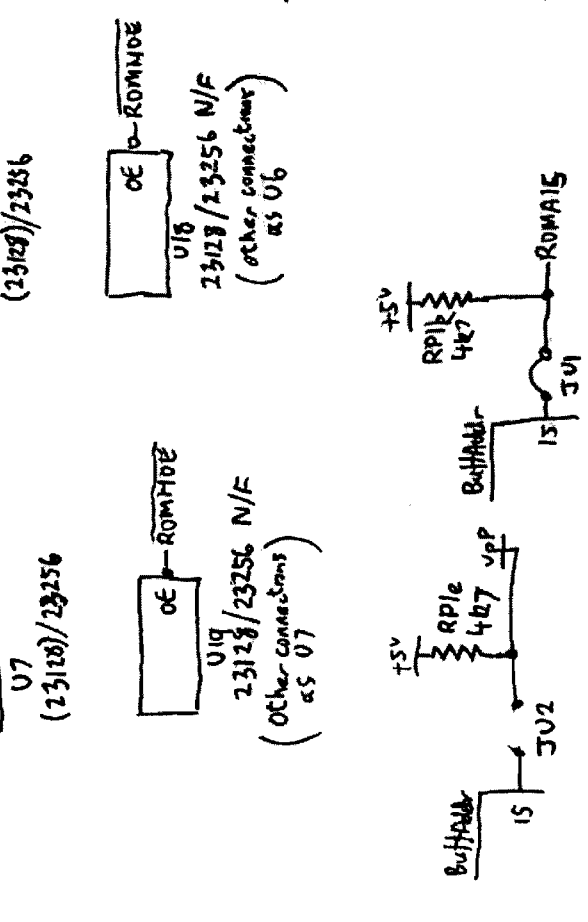
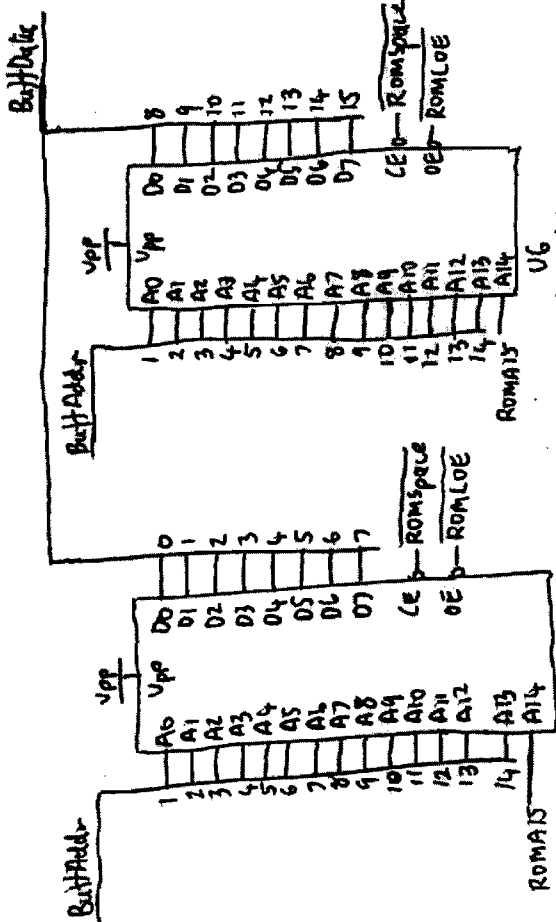
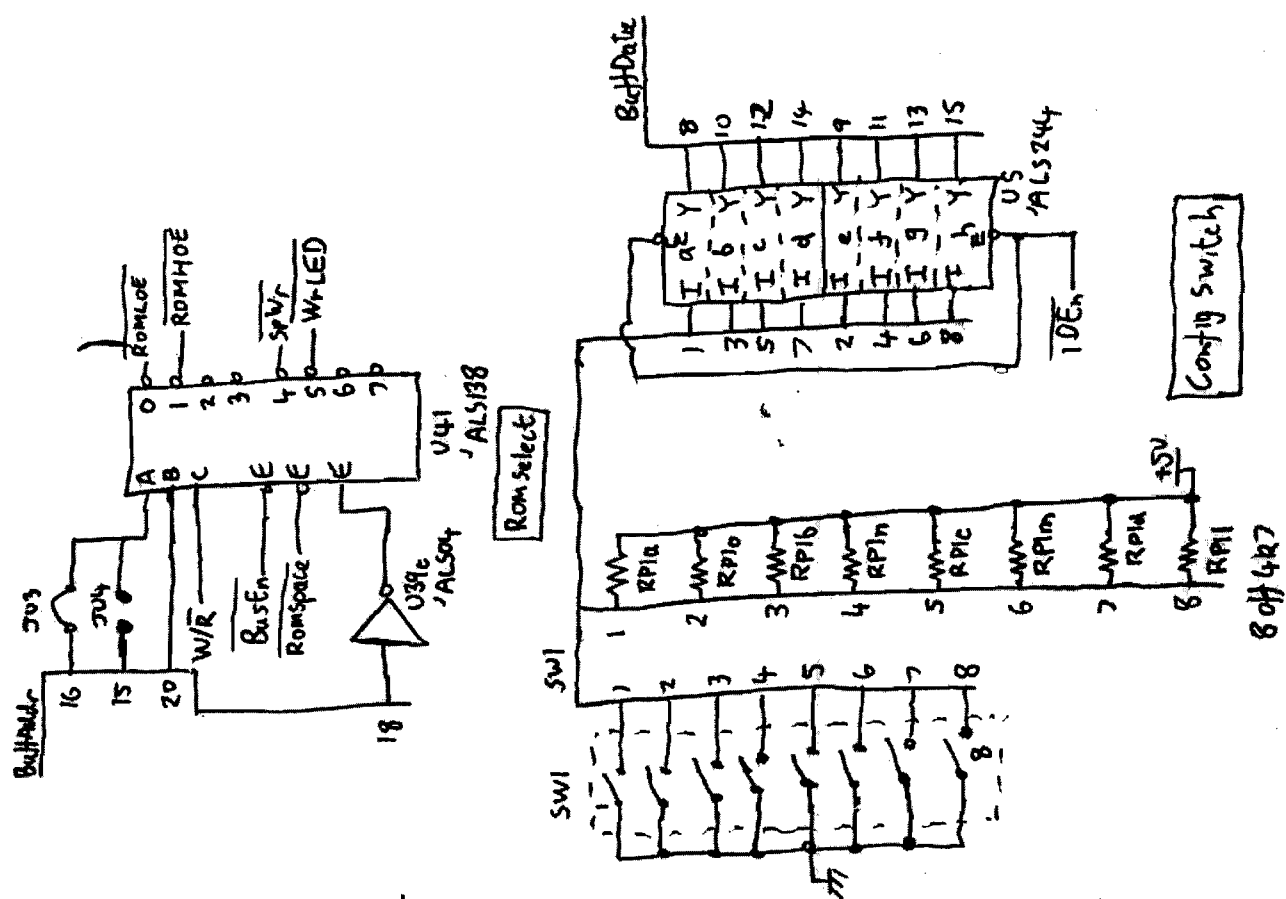
09817-66512

HP9817 Logic PCB Sheet 13

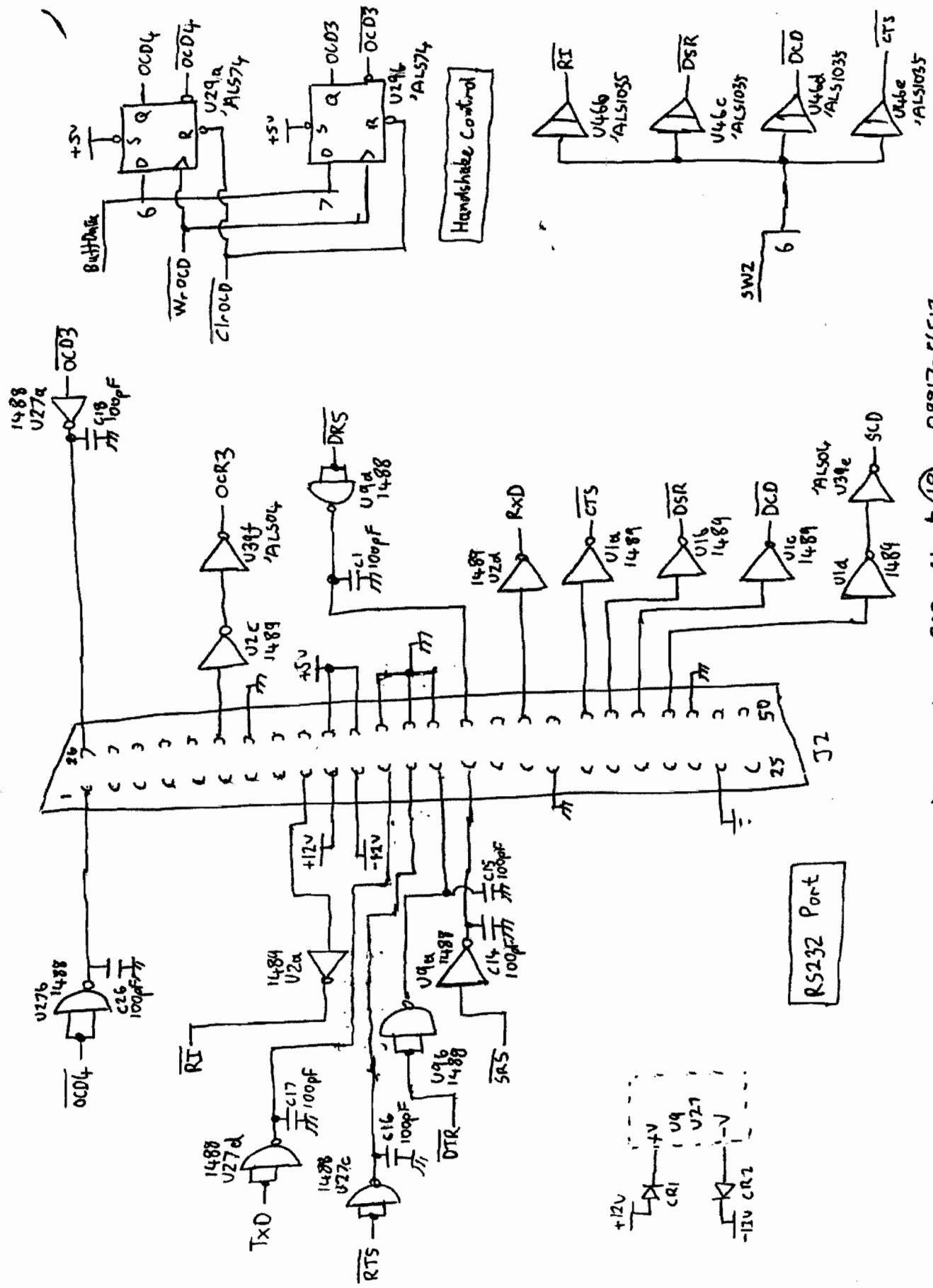


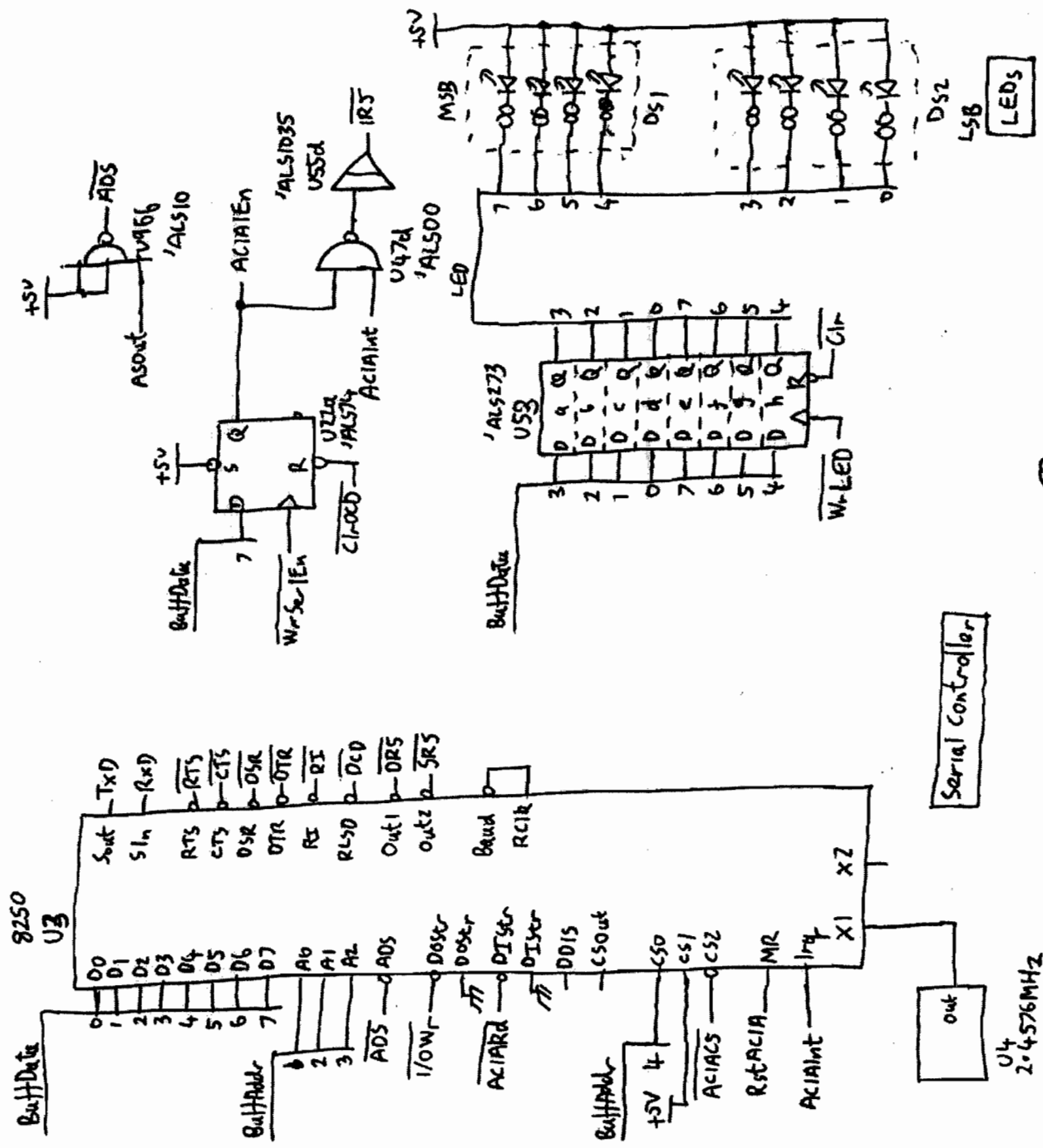






Boot ROM

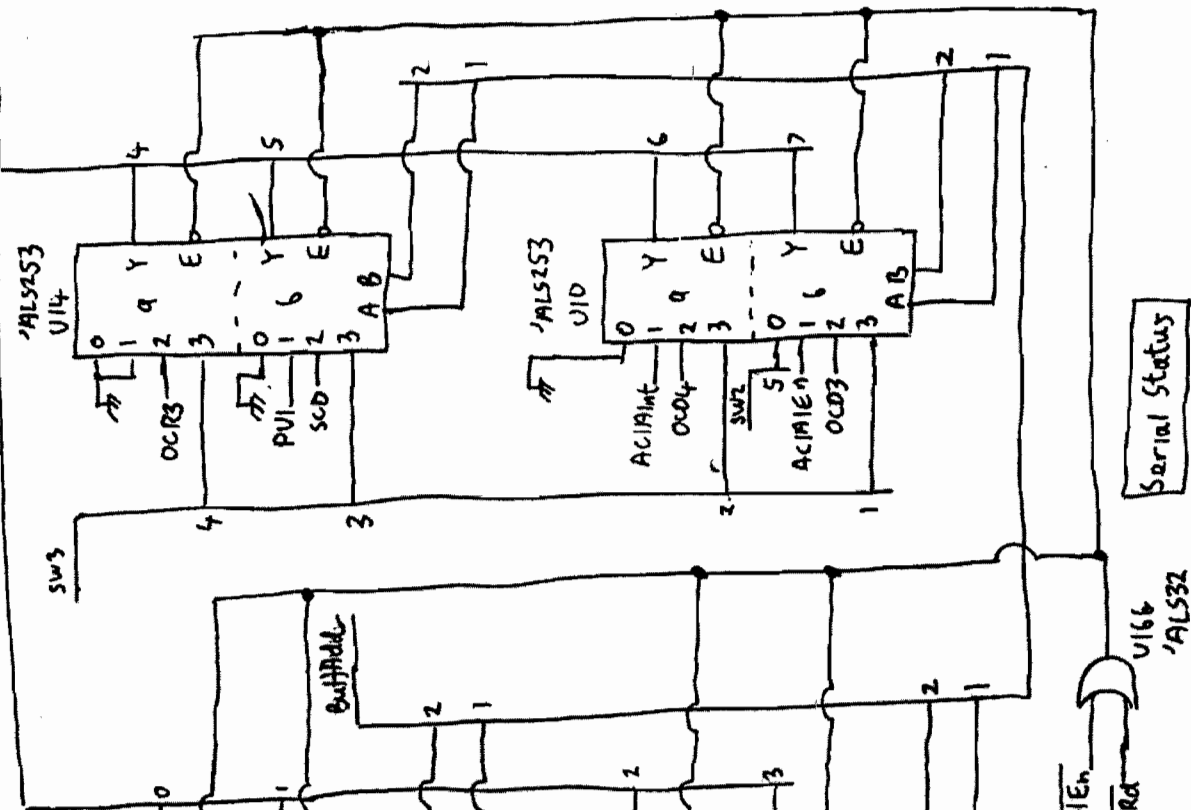




09817-66512

HP9817 Logic PCB Sheet 19

Buff/DQ₂

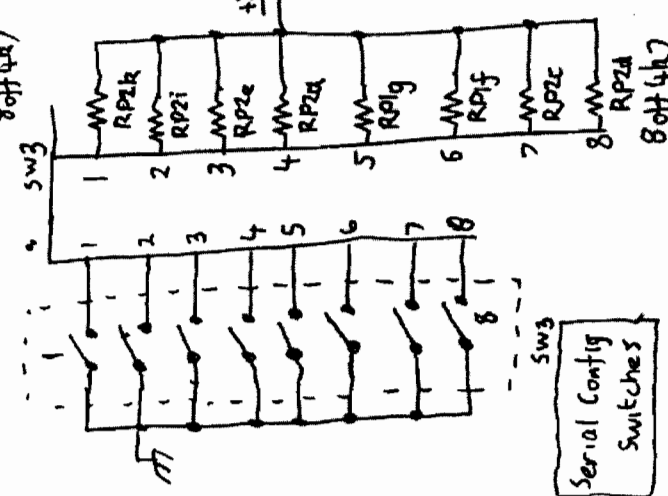
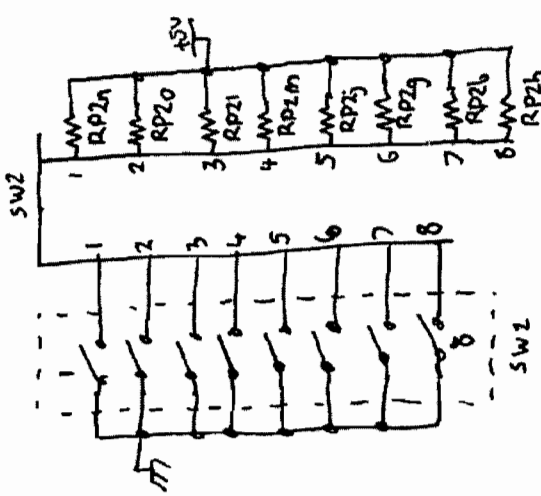


'ALS253 U28

'ALS253 U14

'ALS253 U21

'ALS253 U10

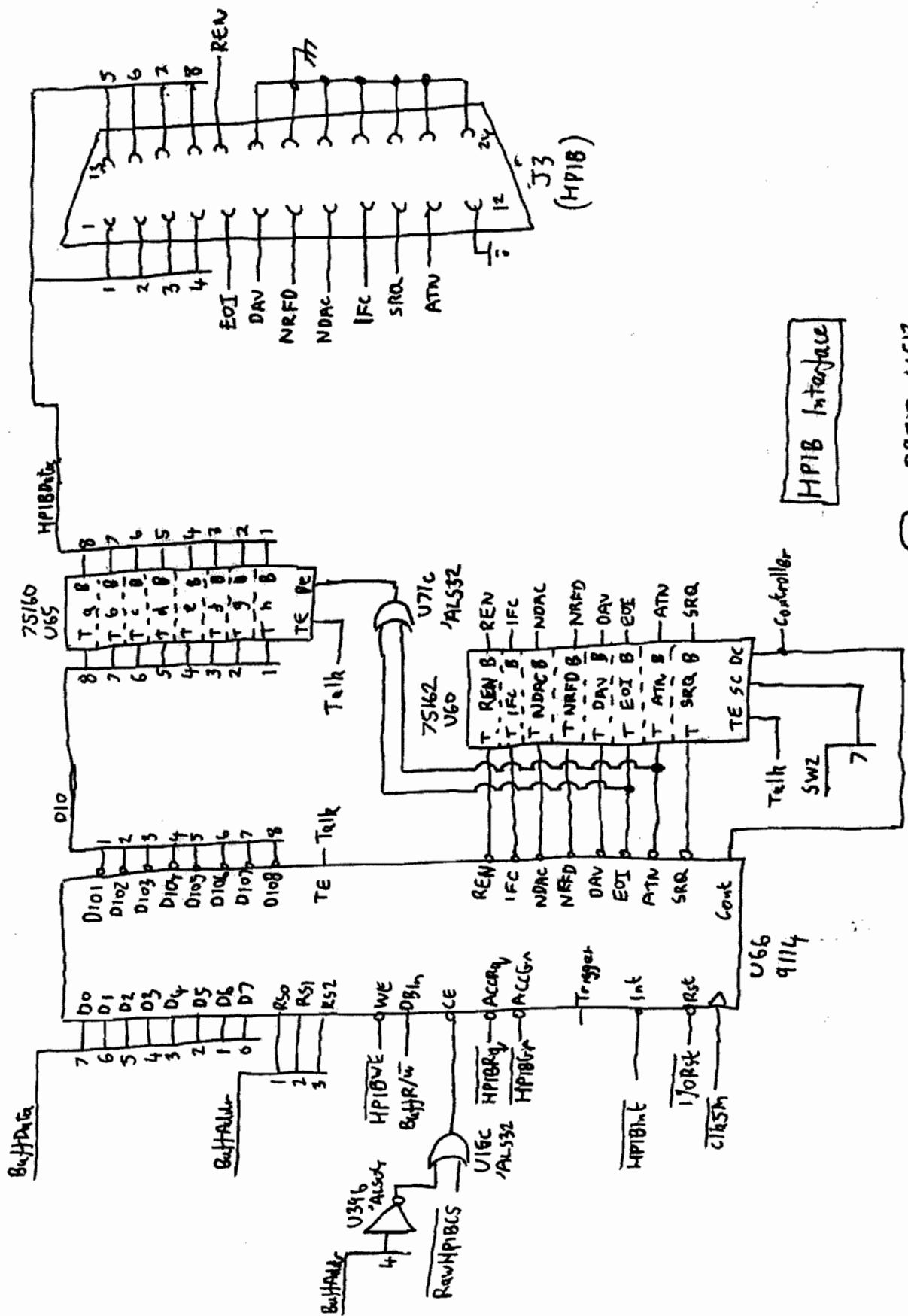


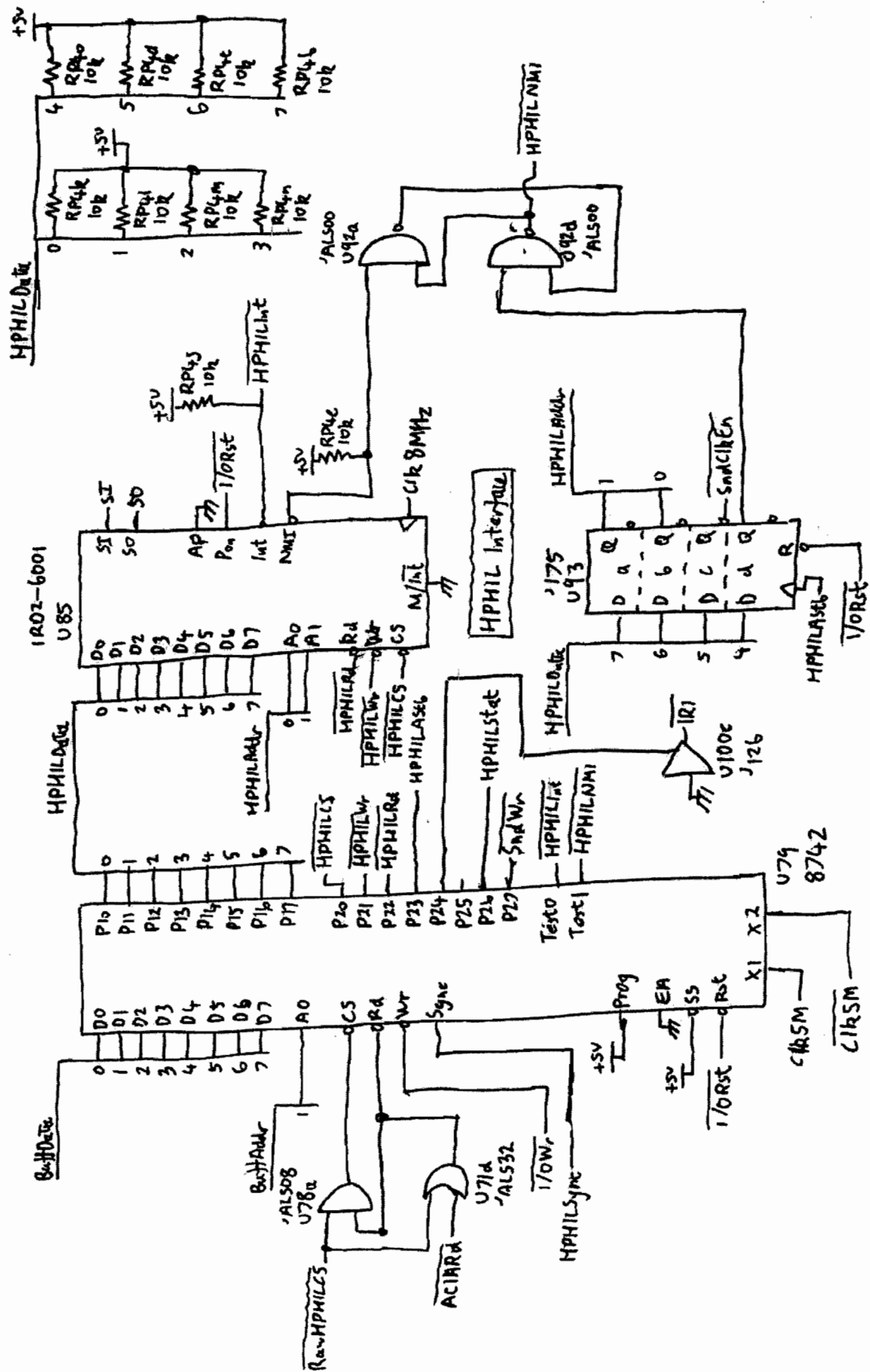
Serial Status

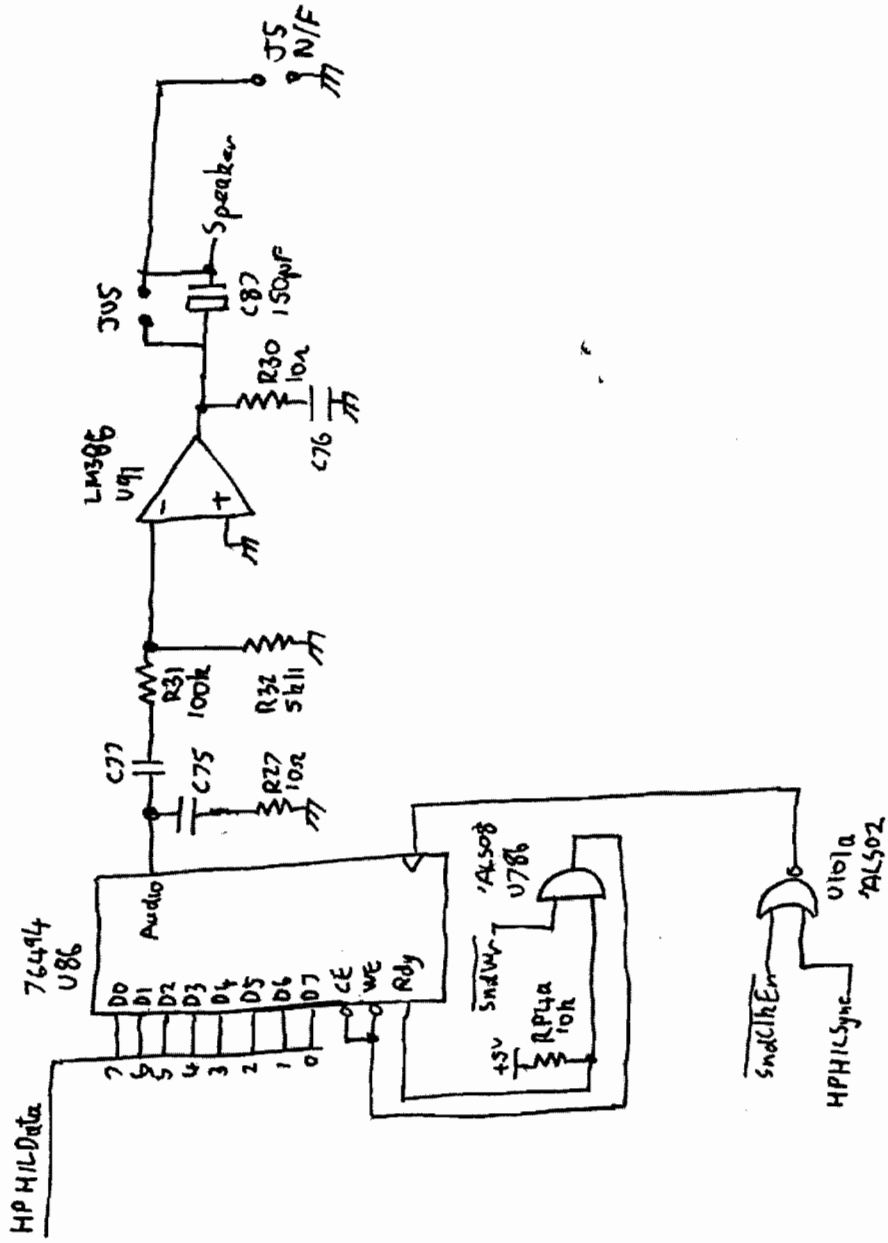
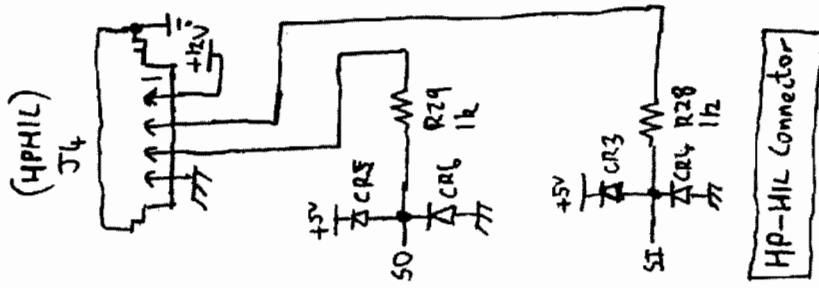
Serial Status
ACIARnt
ACIARnt

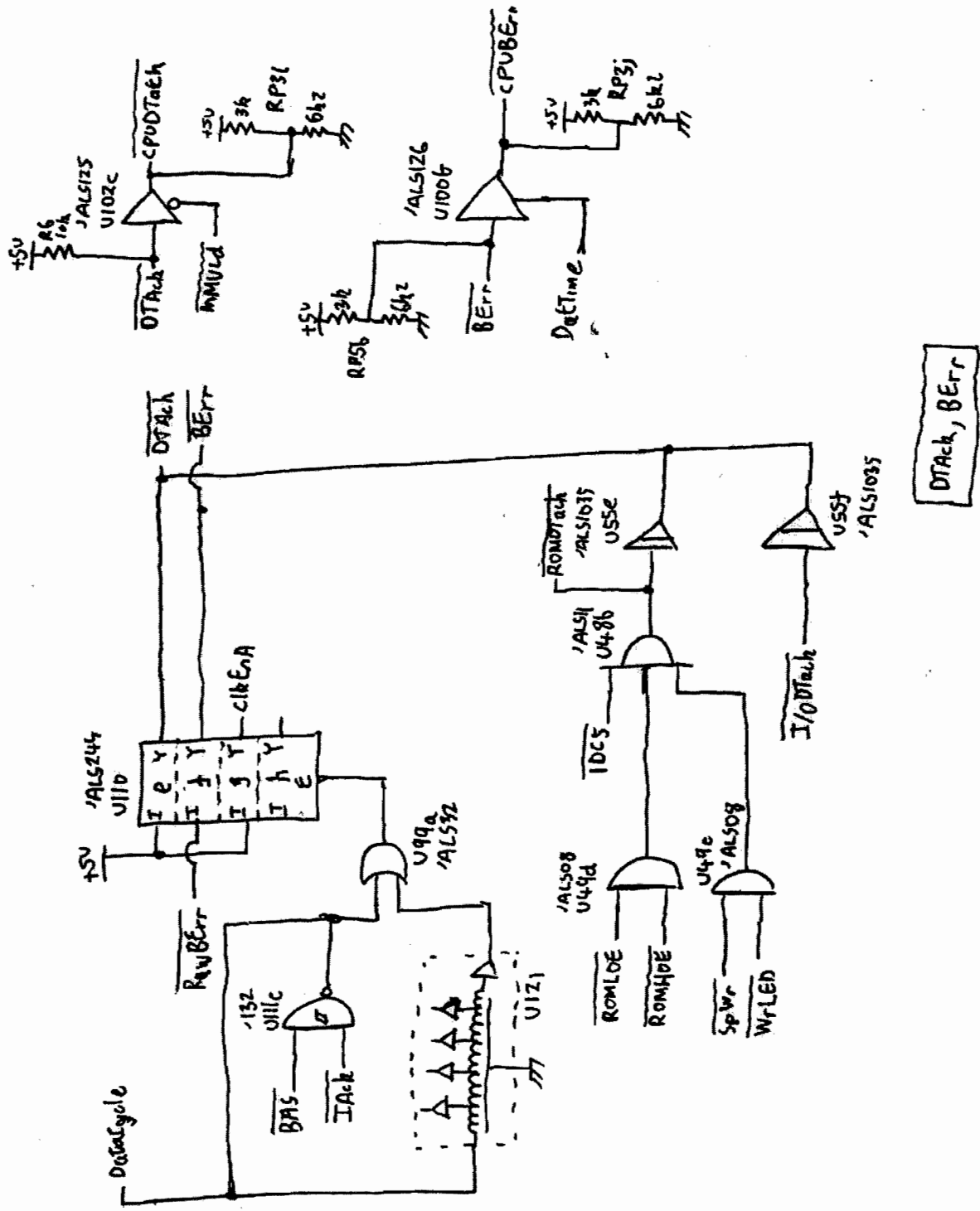
U166
'ALS32

Serial Config Switches

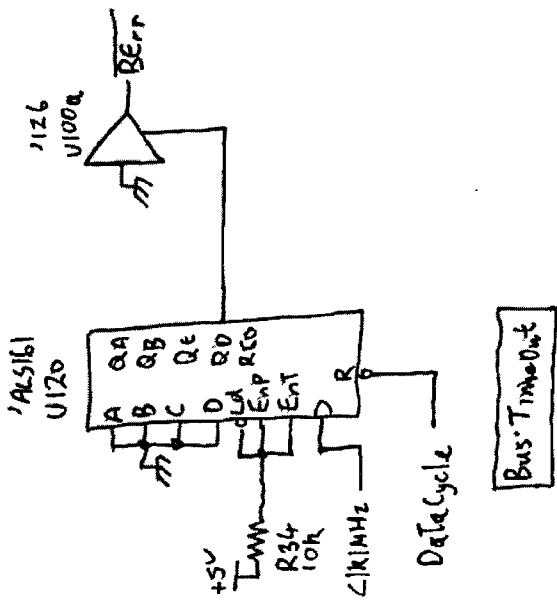
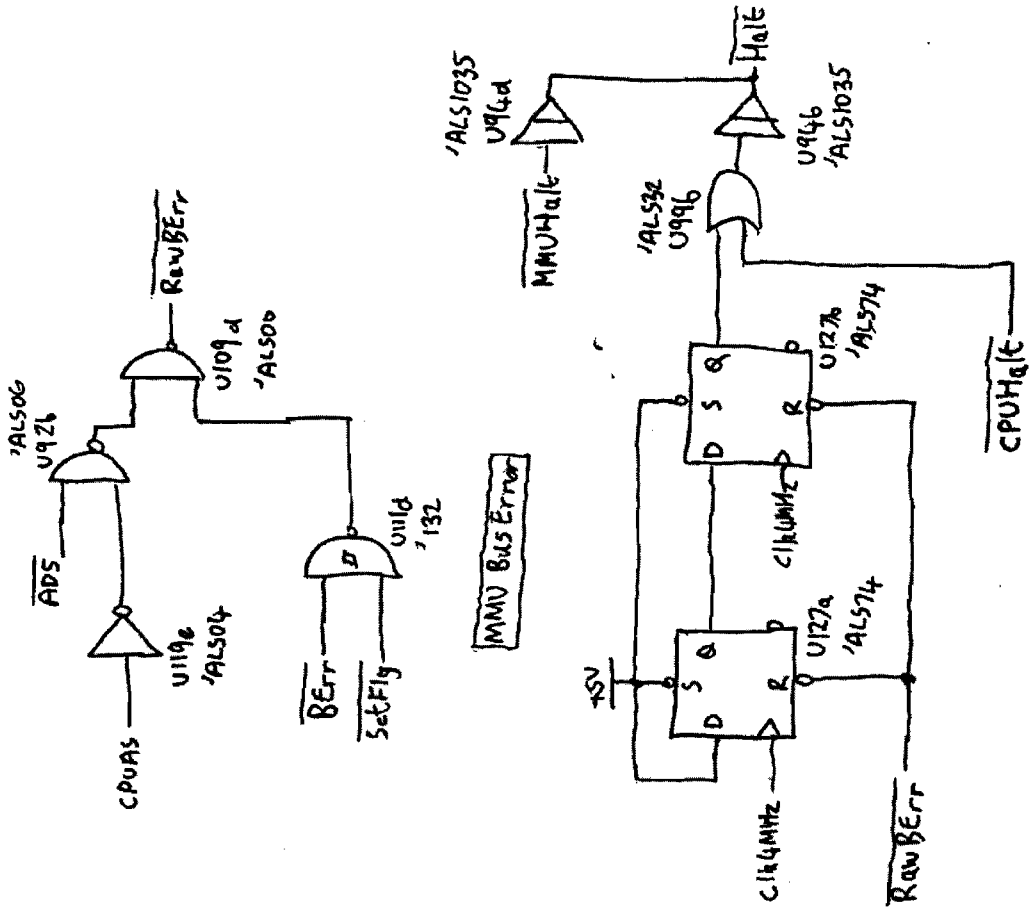


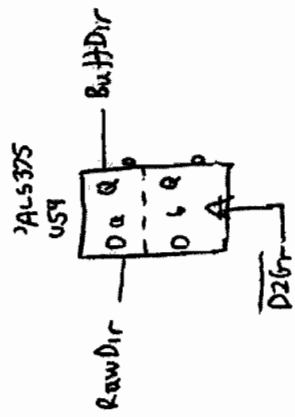




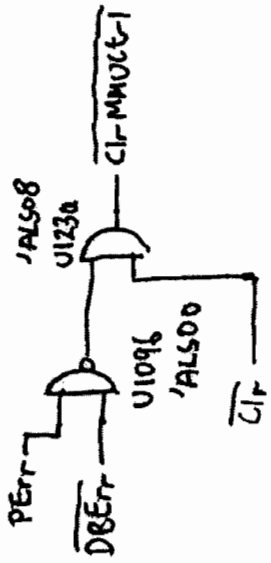
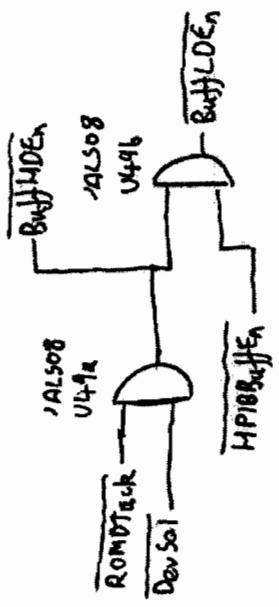


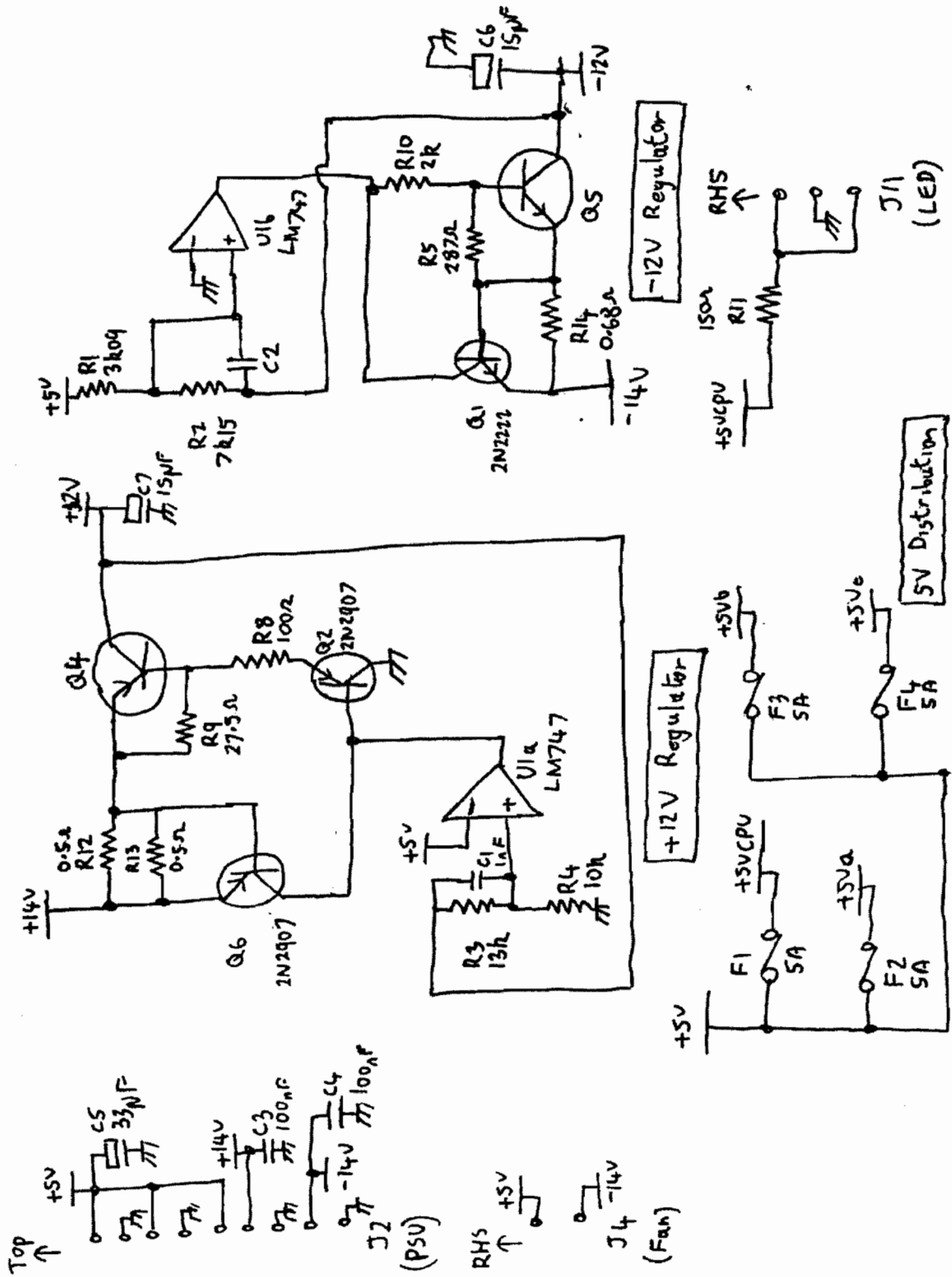
09817-66512





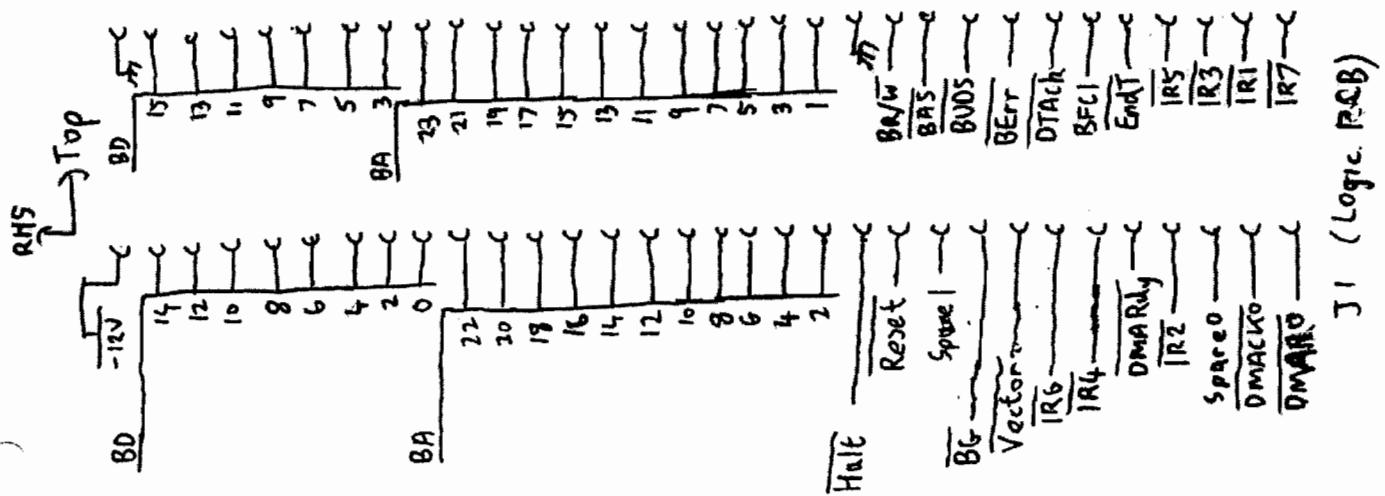
Data Buffer Control



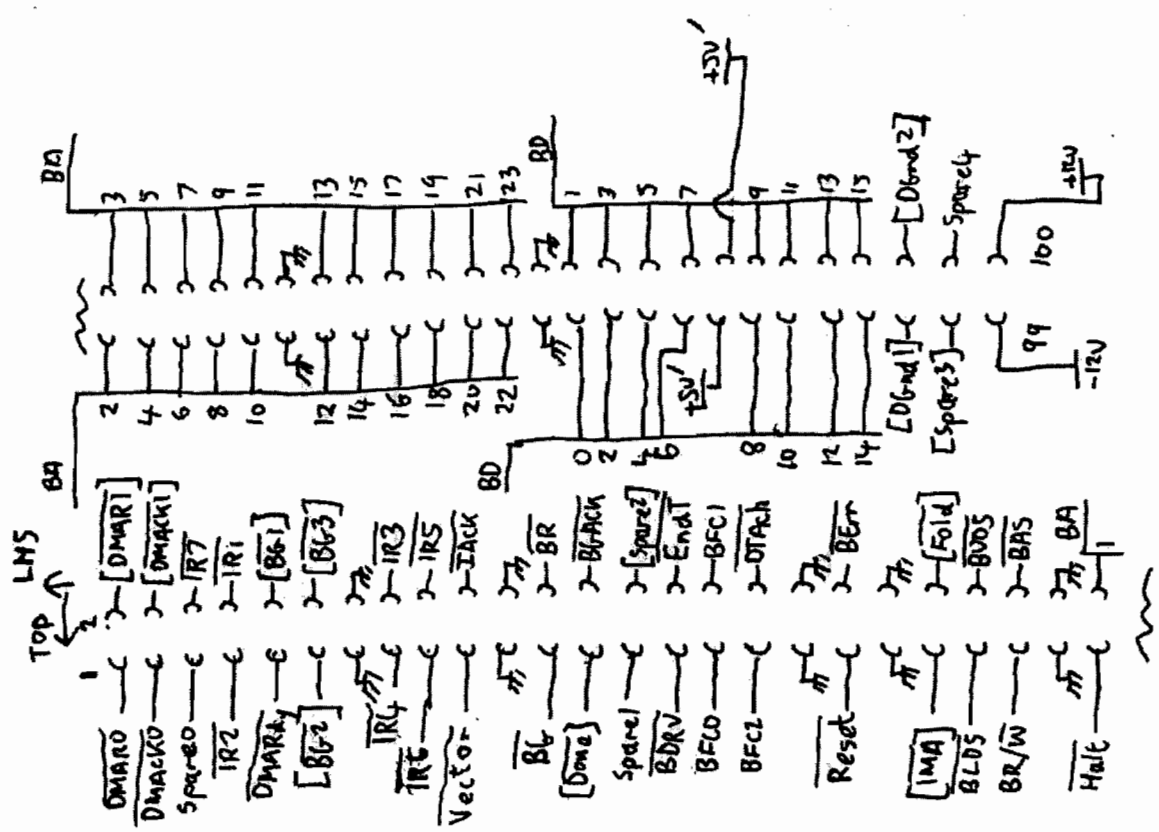


09817-66563

HP9817 Backplane Sheet ①



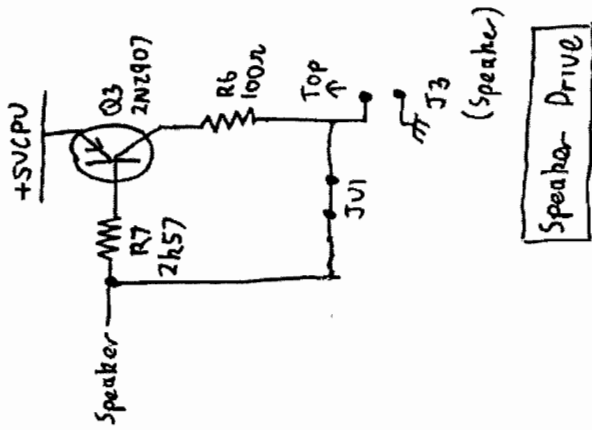
J1 (Logic PCB)

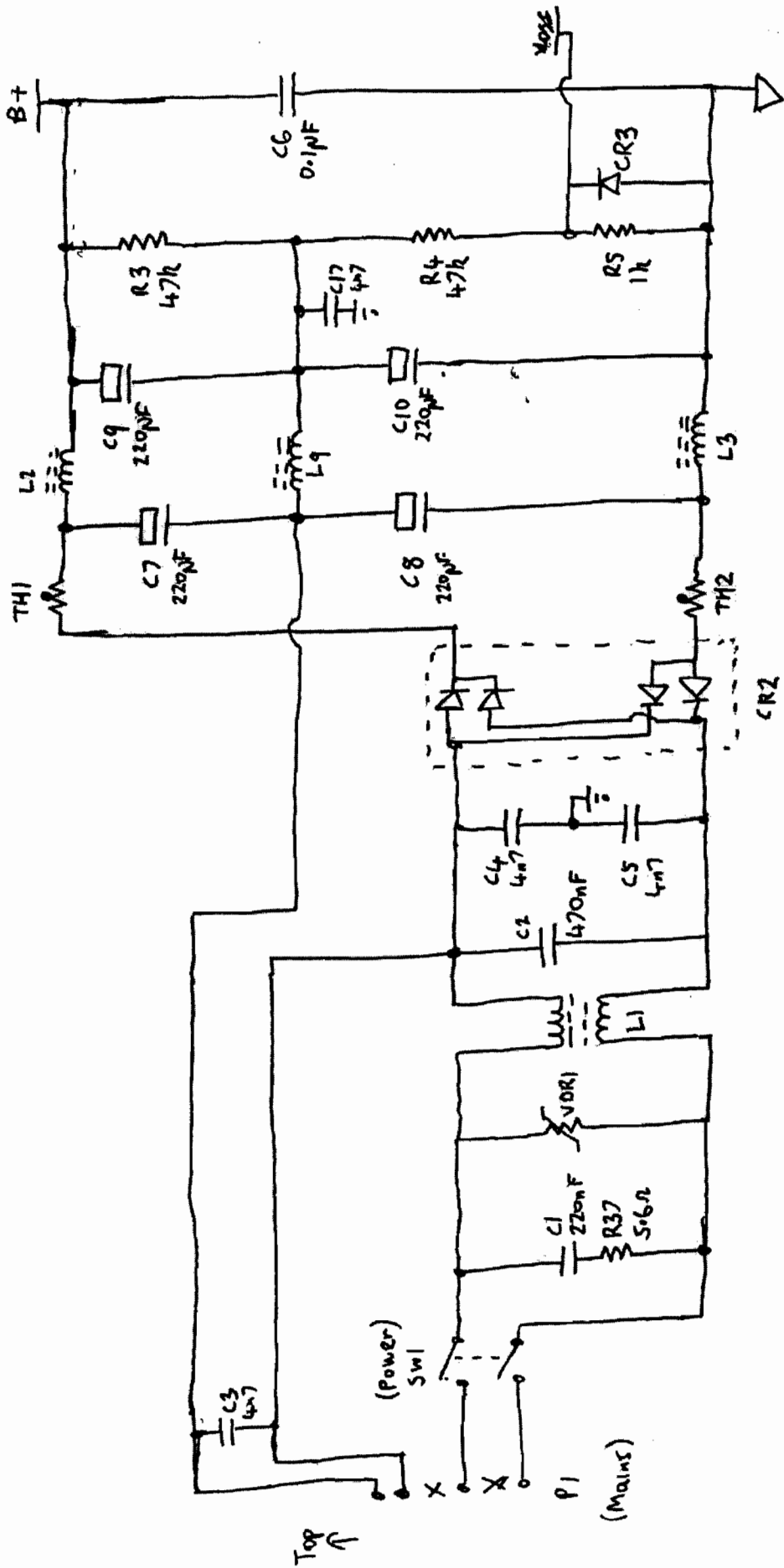


J5 (DIO slot (Typical of 6))

Notes

DIO signals in square brackets are based between slots but do not go to Logic PCB
 +5V L J5, J6
 +5V L J7, J8
 +5V L J9, J10

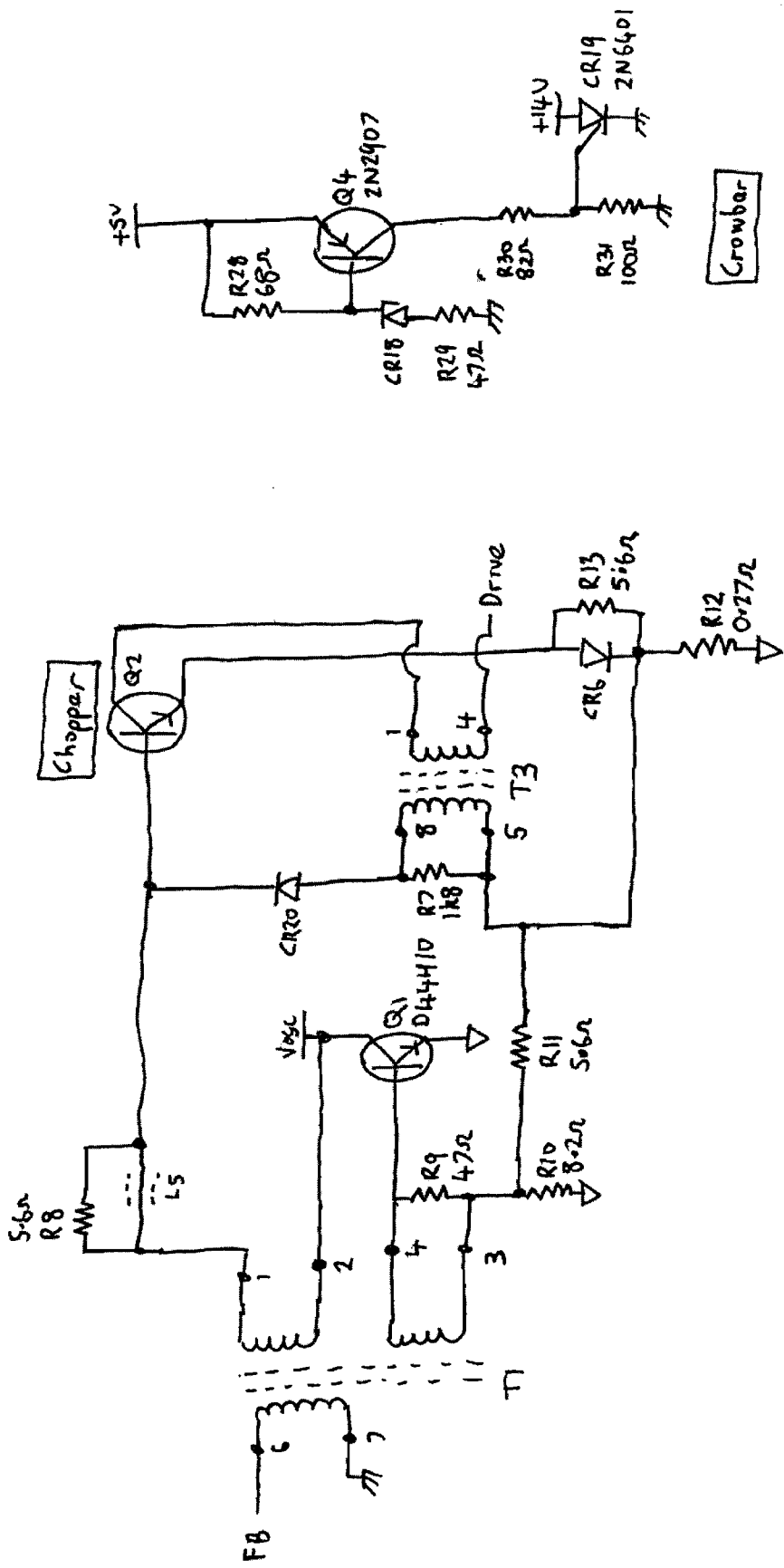




Mains Rectifier

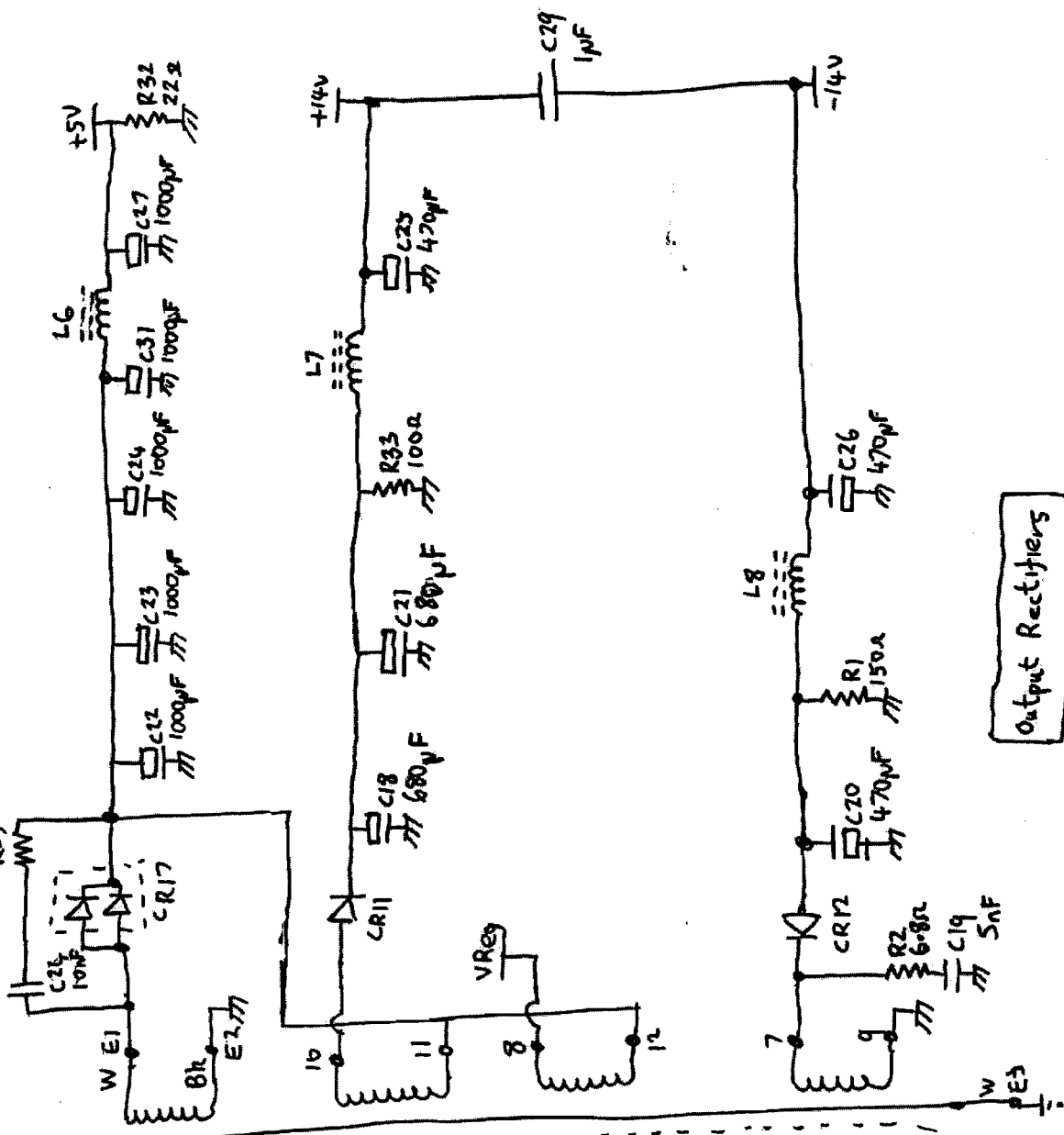
Power/Mate
09817-6655Z

HP9817 PSU PCB Sheet ①



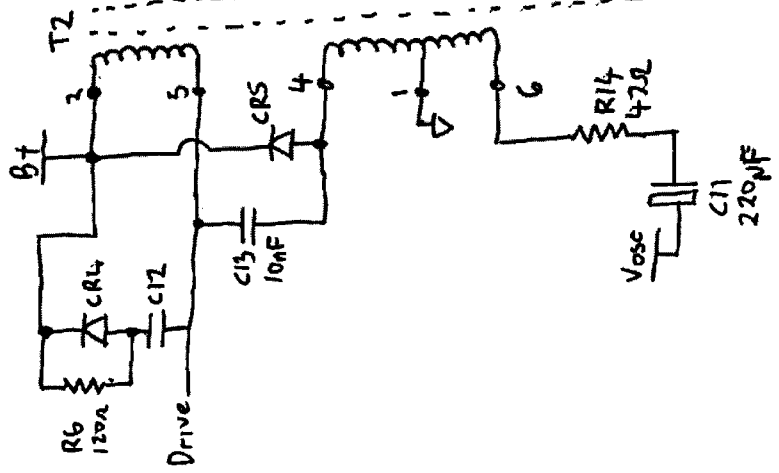
Power/Mete
09817-66552

HP9817 PSU PCB sheet 2

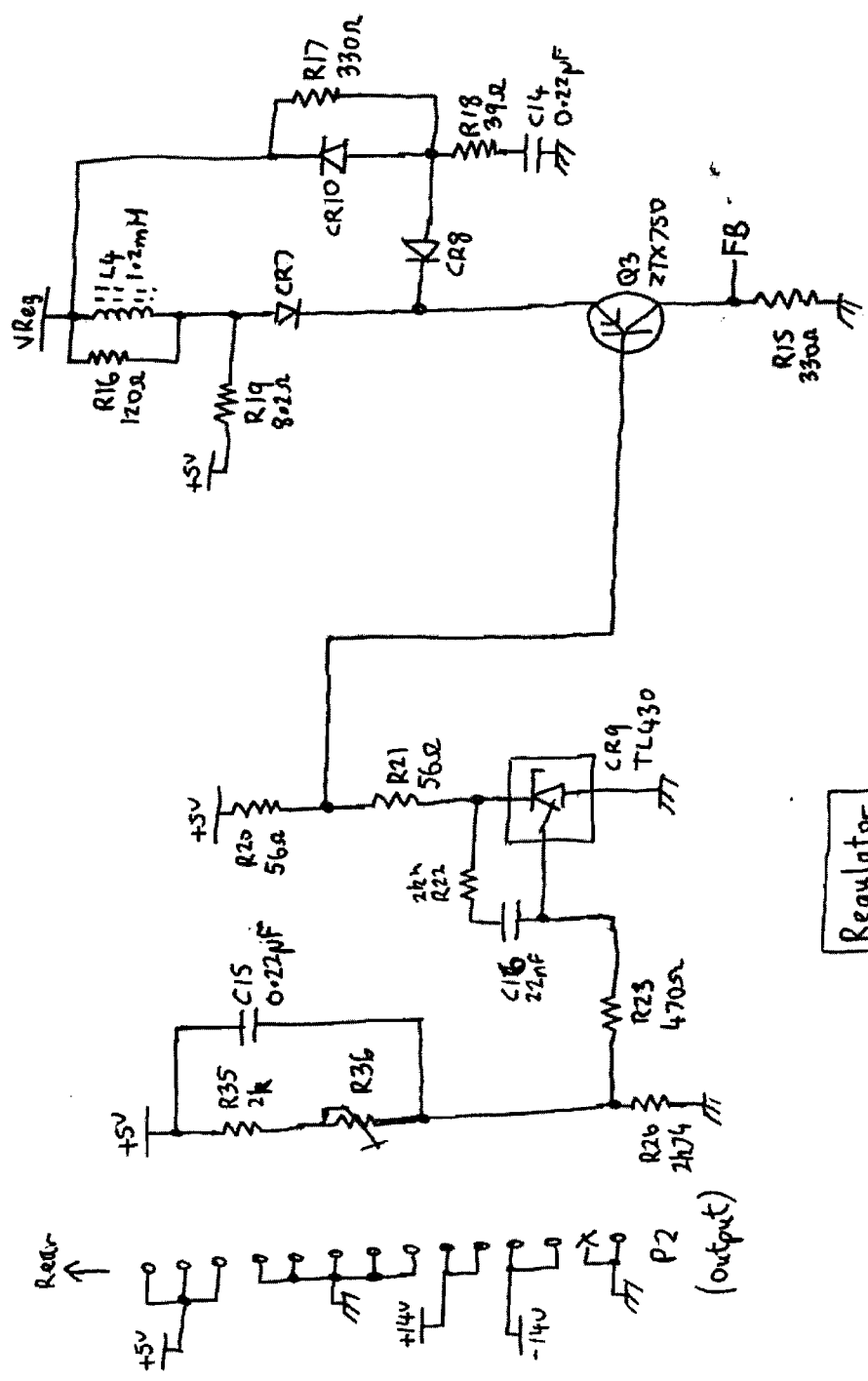


Output Rectifiers

Power/Mate
09817-66SS2

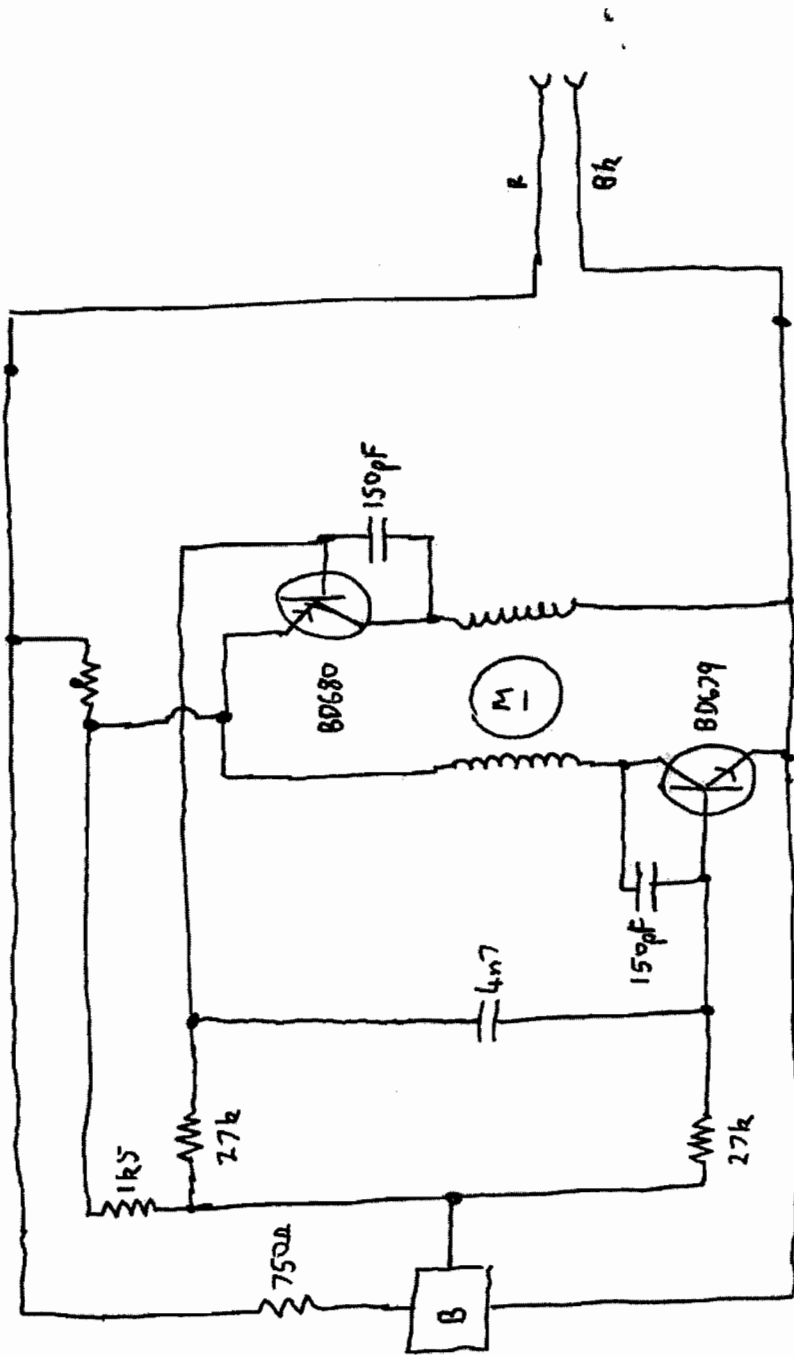


Chopper Transformer



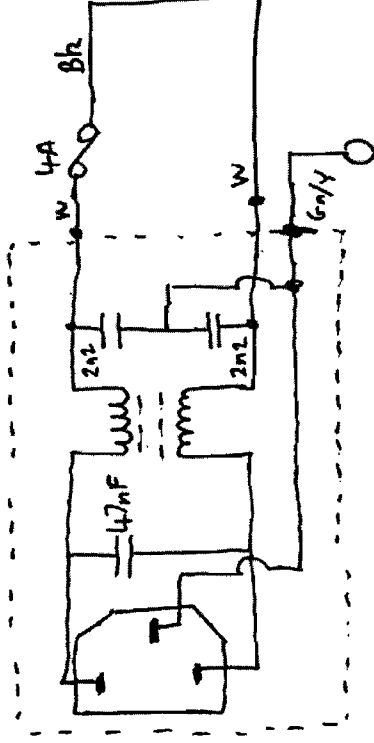
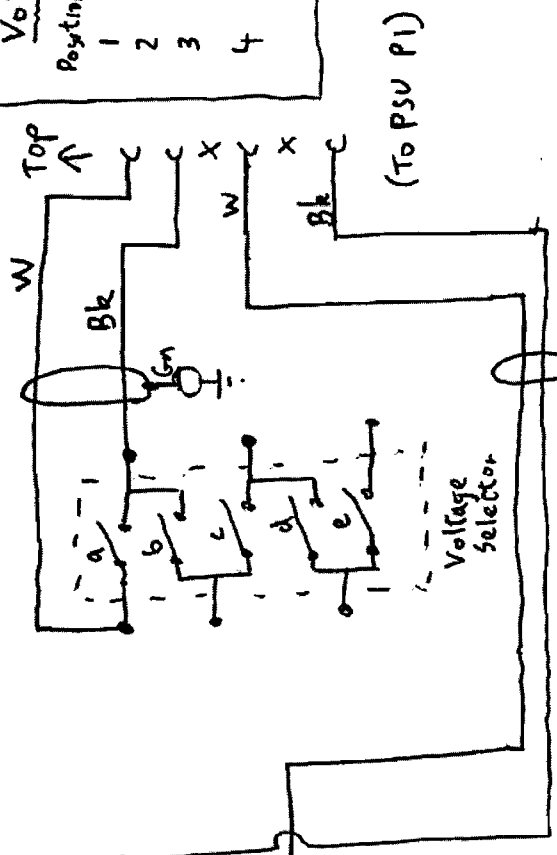
Power/Mate
09817-66552

HP9917 PSU Sheet (4)



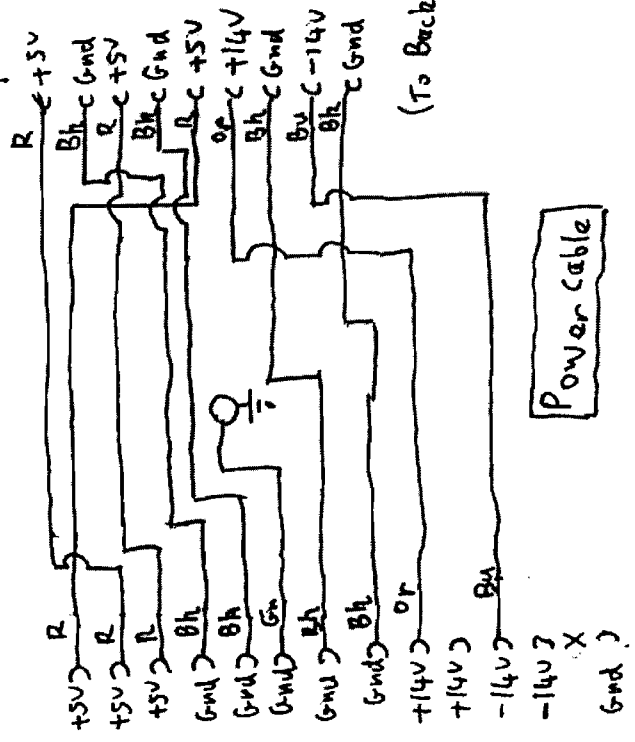
HP9817 Fan

Position	Voltage	a	b	c	d	e
1	115V	✓	✓	✓	✓	✓
2	115V	✓	✓	✓	✓	✓
3	230V	✓	✓	✓	✓	✓
4	230V	✓	✓	✓	✓	✓



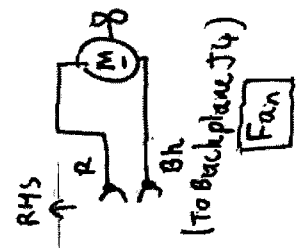
Mains Input Cable

Rear ↑



Power cable

(To PSU P2)



(To Backplane J4)

(To Backplane J11)

Power LED



(To Backplane J3)

Speaker

(To Backplane J2)

HP9817 WIRING