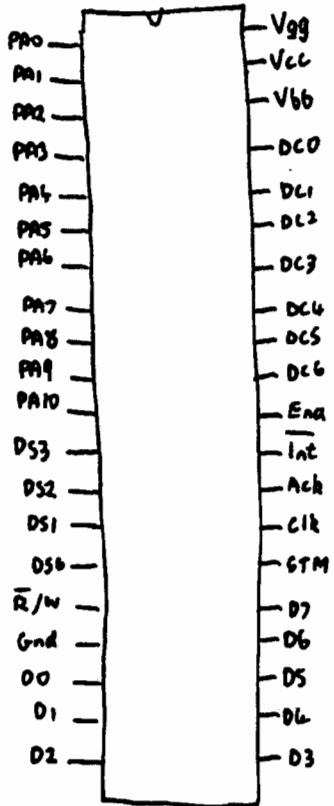
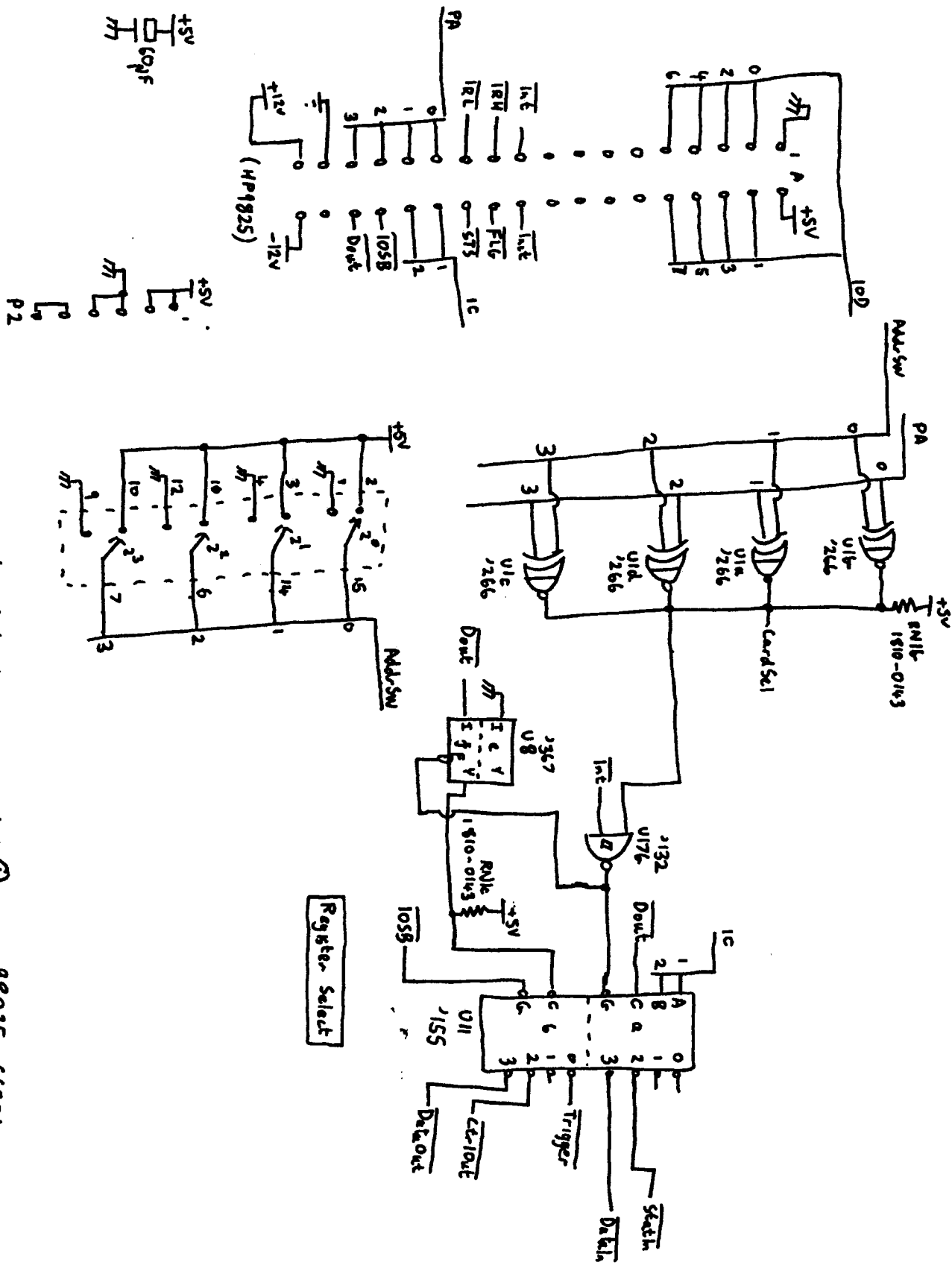


Nanocontroller

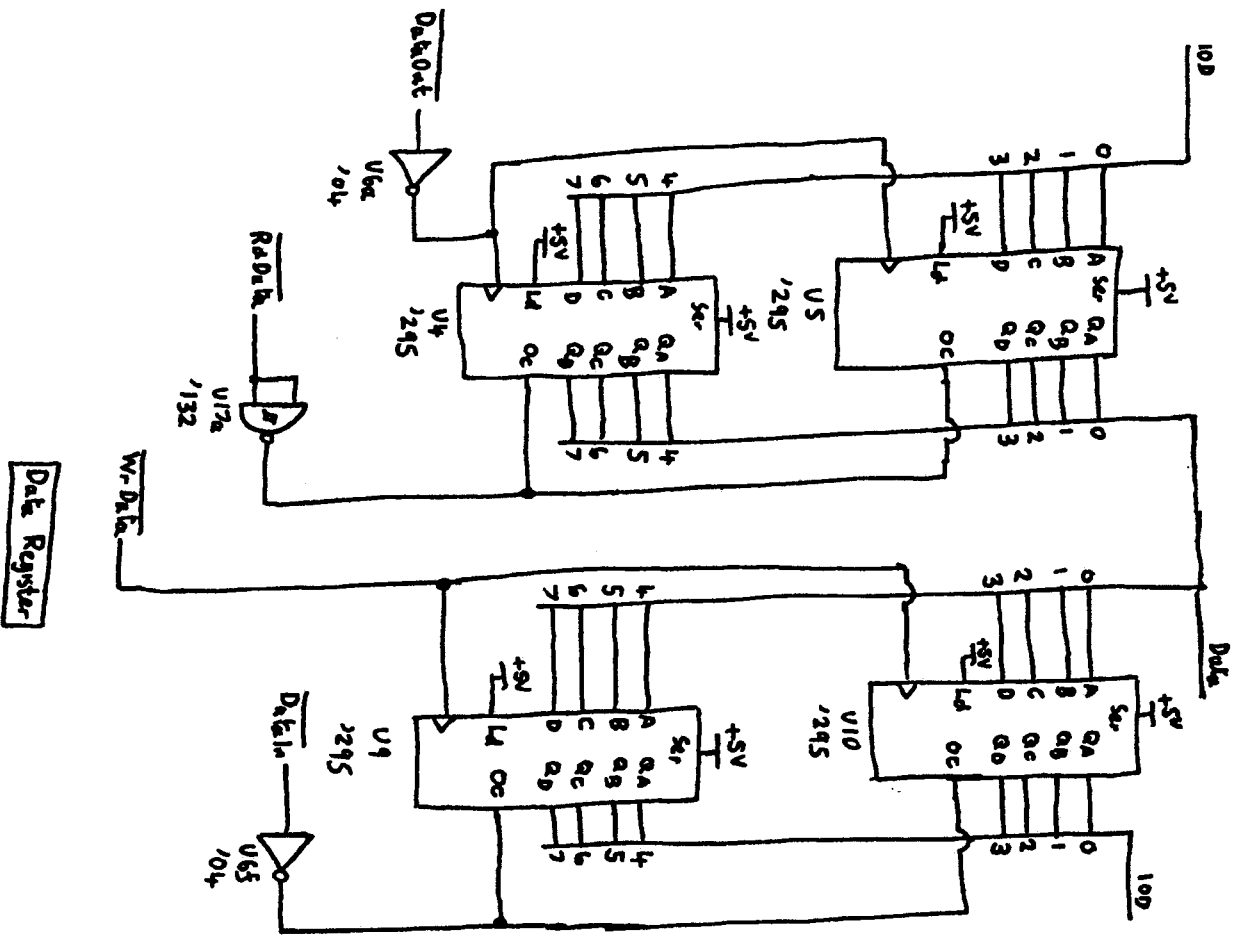
1820-1691



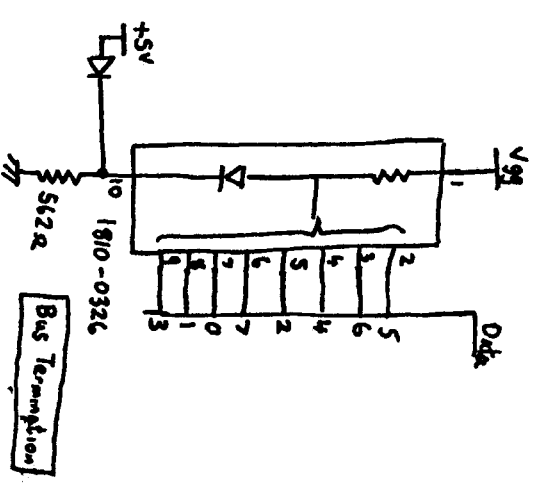




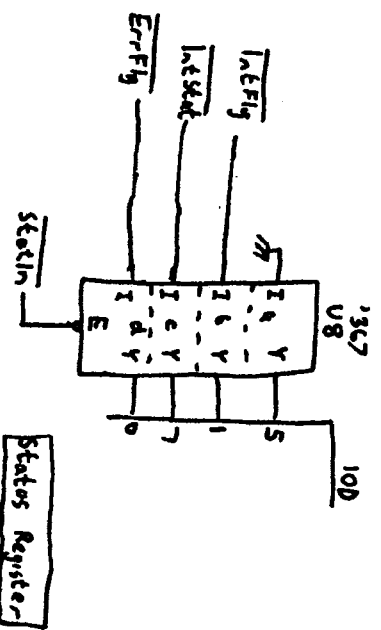
HP98035 Clock Interface PCB slot ① 98035-66501



Data Register

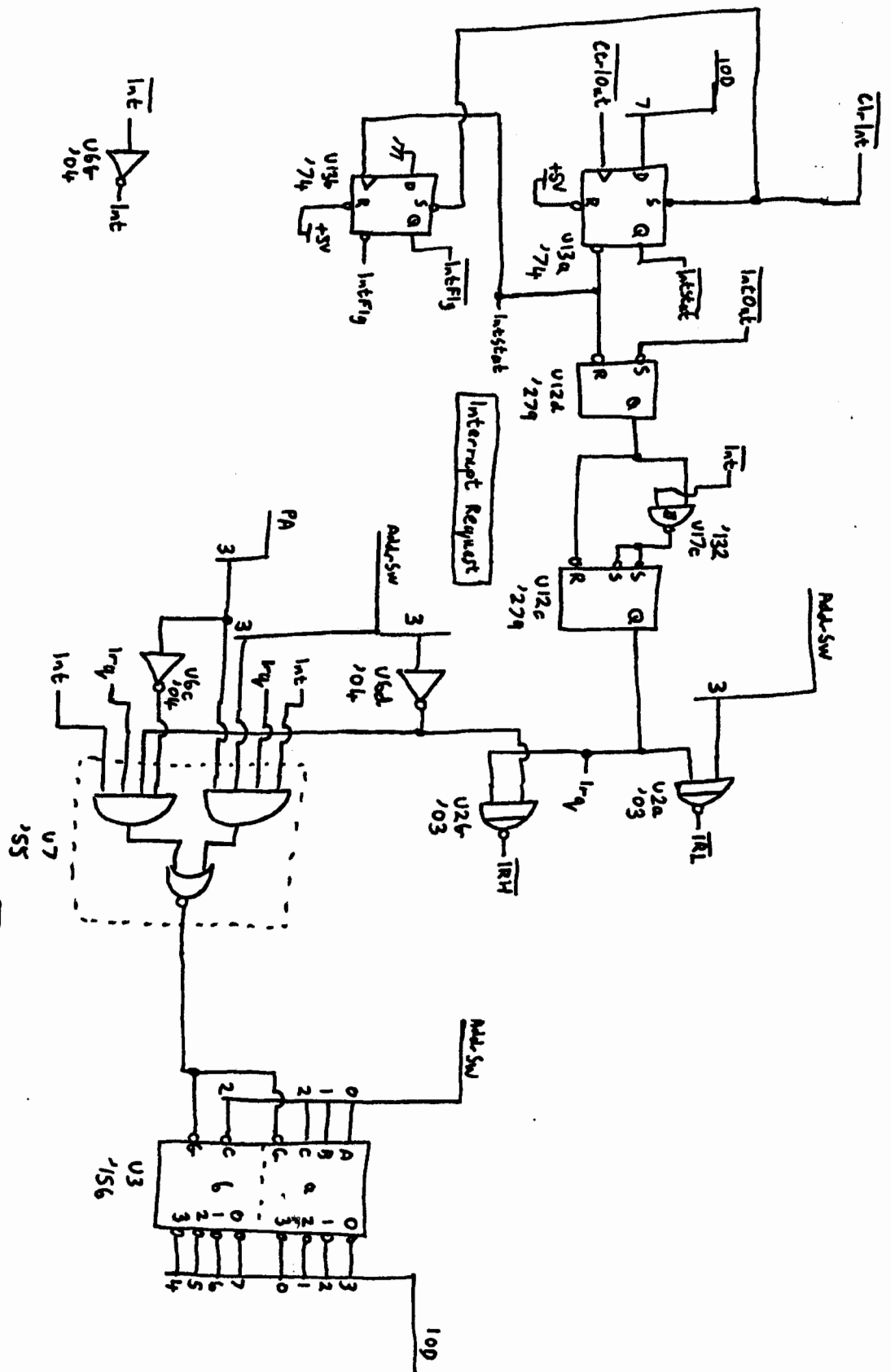


Bus Termination



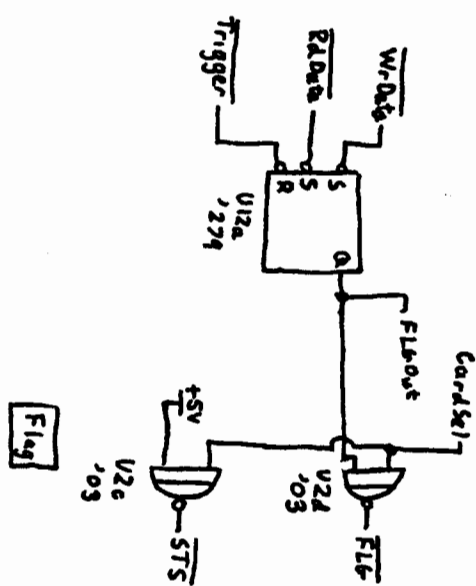
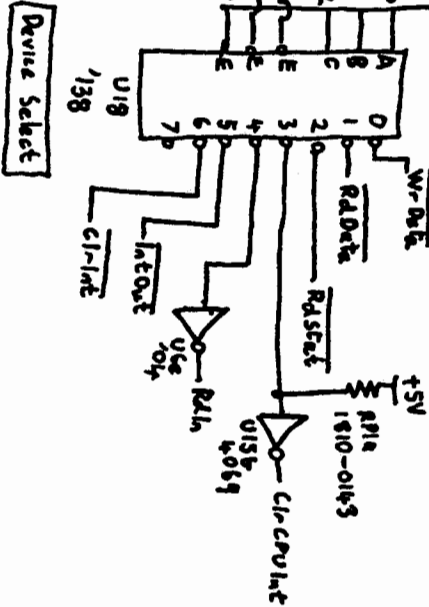
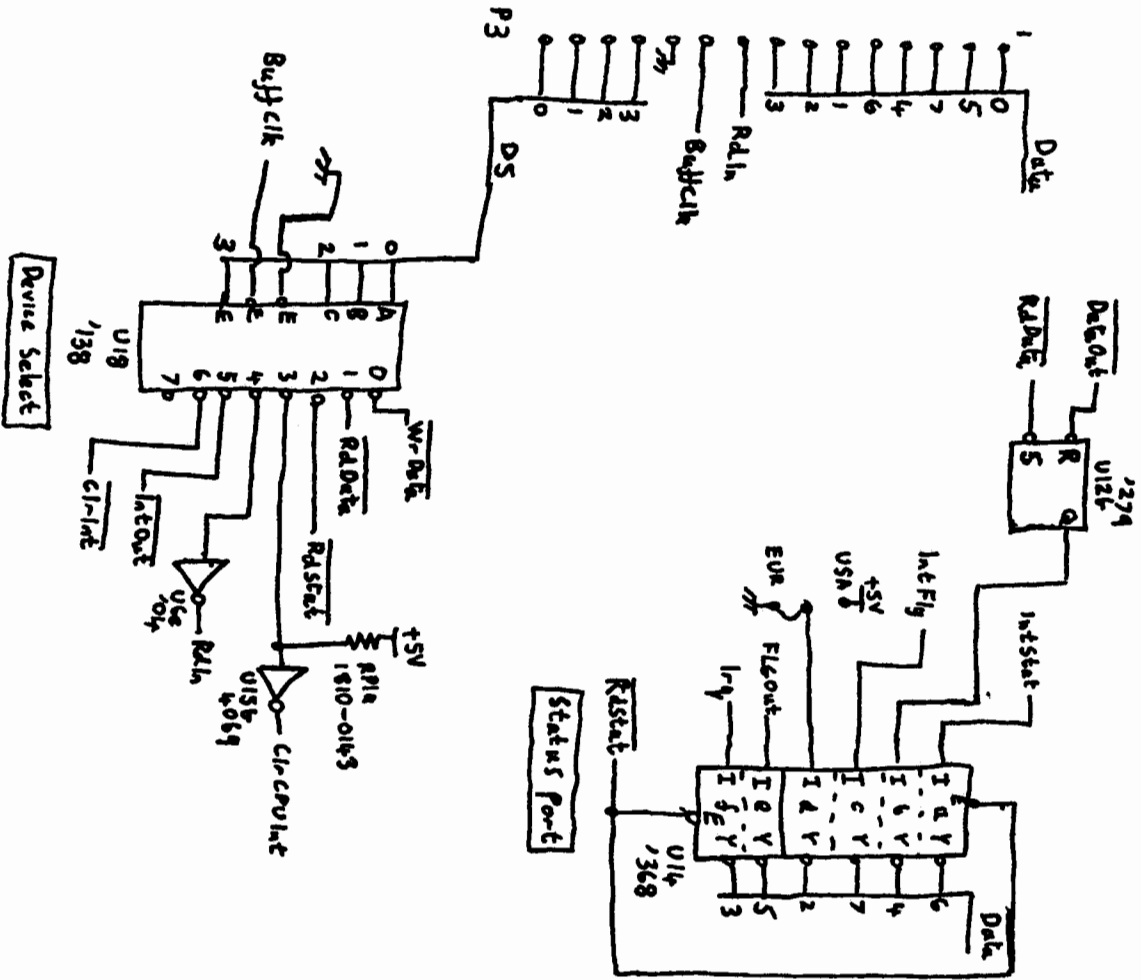
Status Register

HP98035 Clock Interface PCB Sheet 2 98035-66501

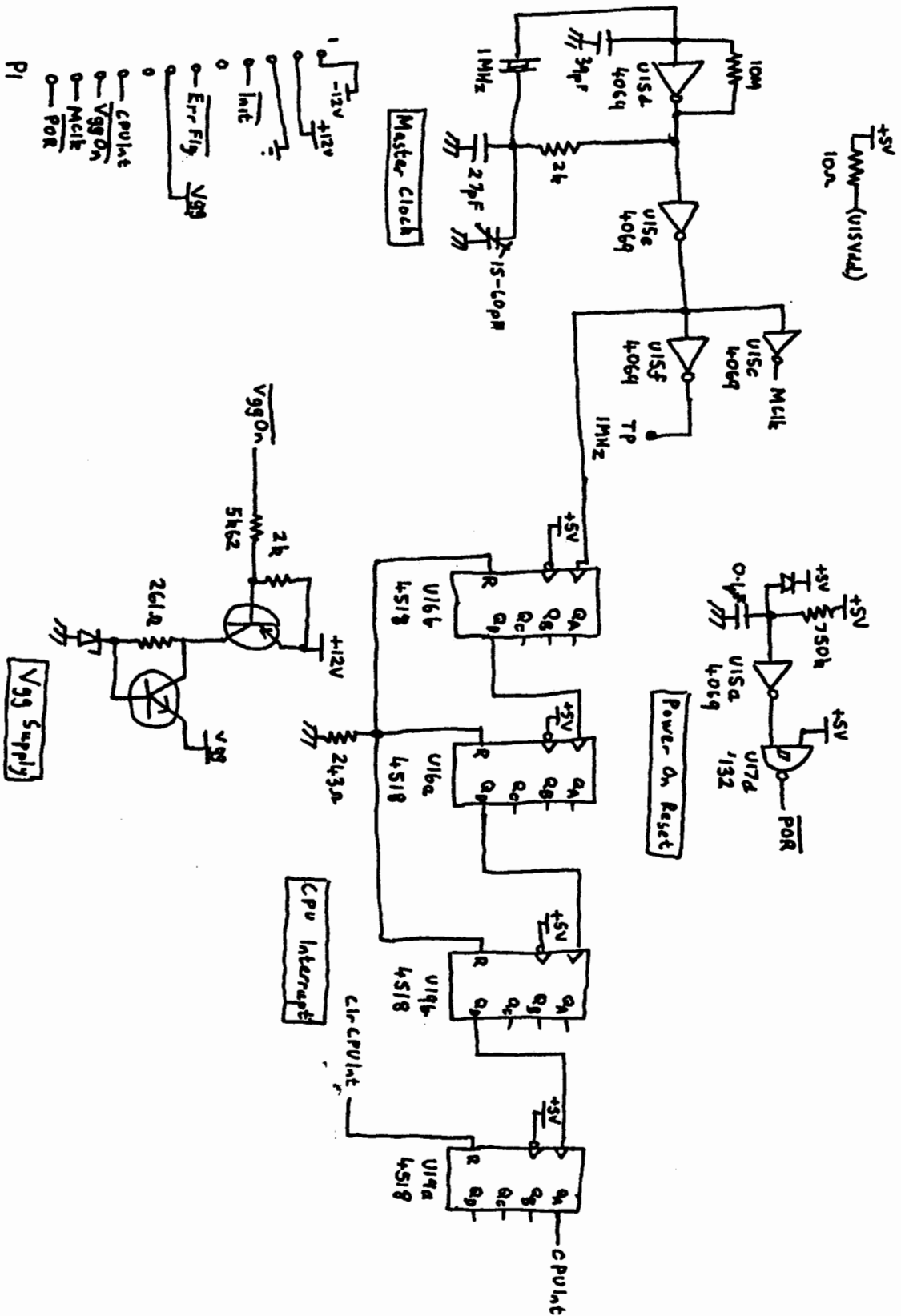


HP48035 Clock Interface Pcb Sheet ③

98035-66501



HP98035 Clock Interface PCB sheet ④ 98035-66501

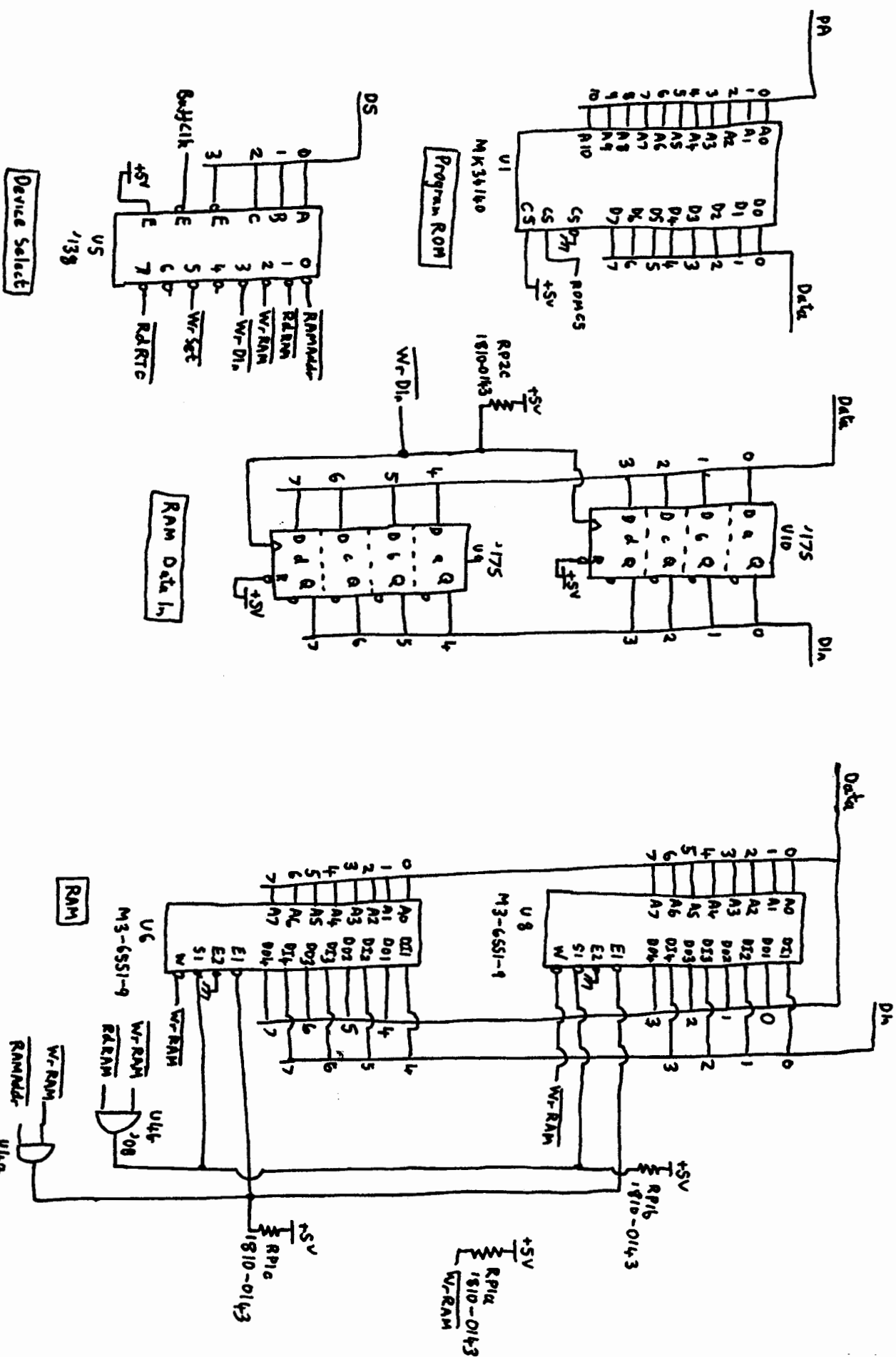


HP 9803S Clock Interface PCB Sheet 5

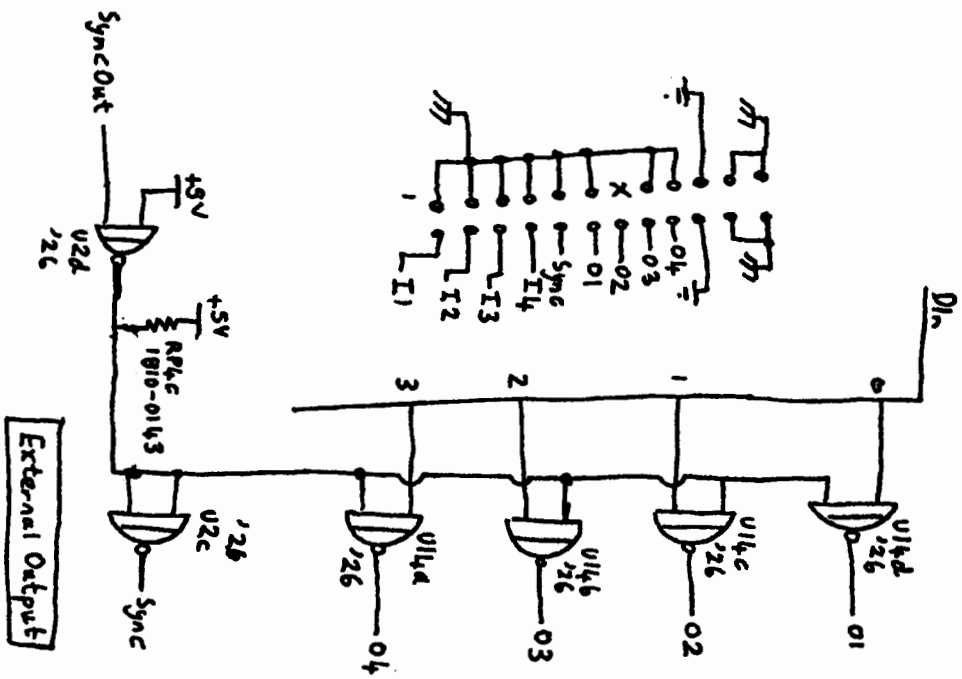
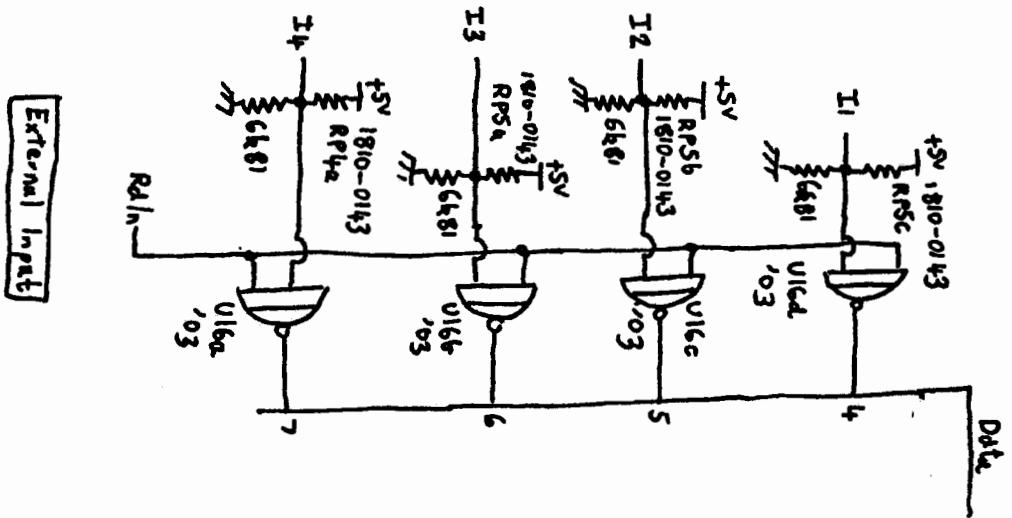
9803S-66501



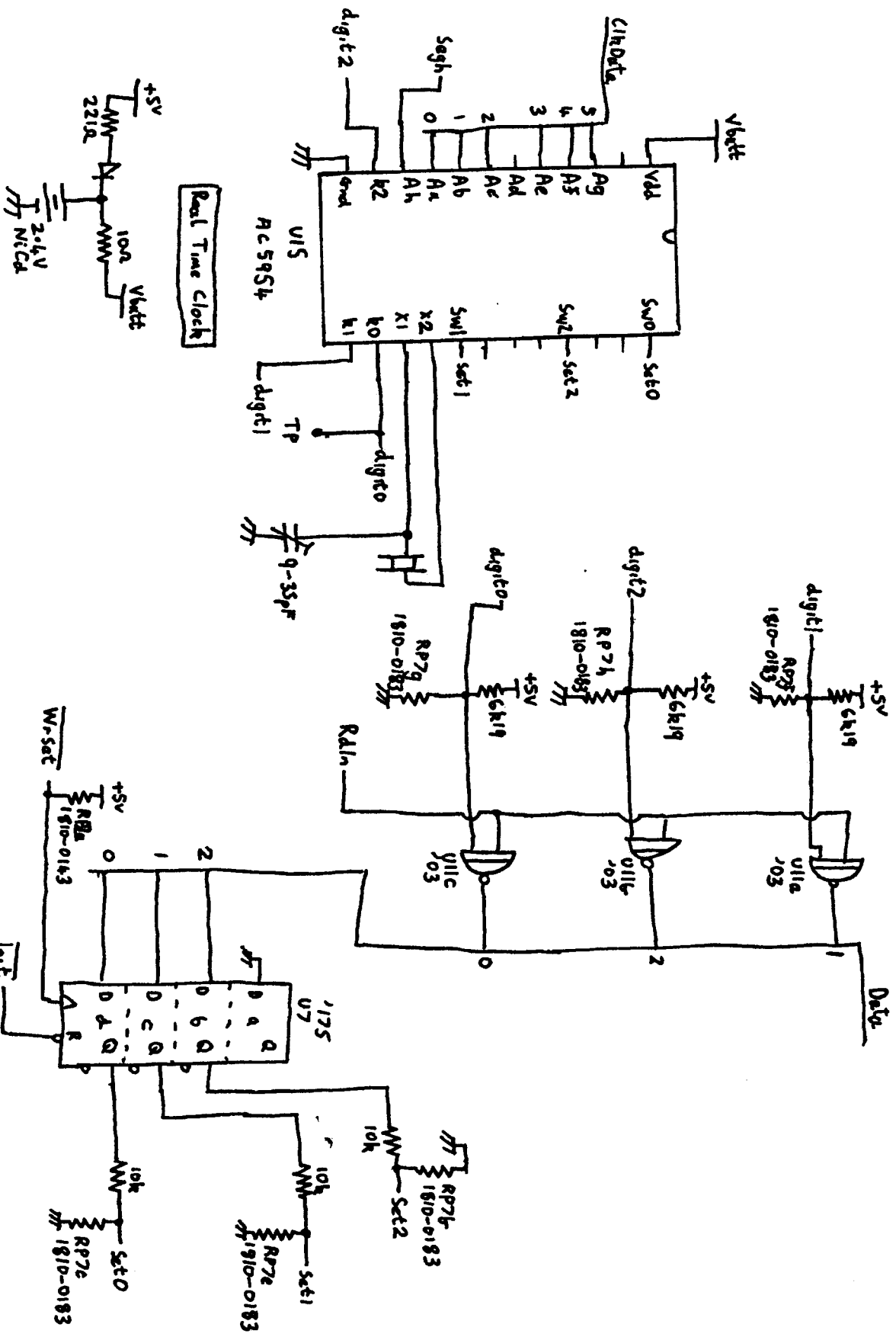




HP 98035 Clock CPU PCB Sheet 2 98035-66502







HP 98035 clock CPU PCB sheet 5 98035-66502