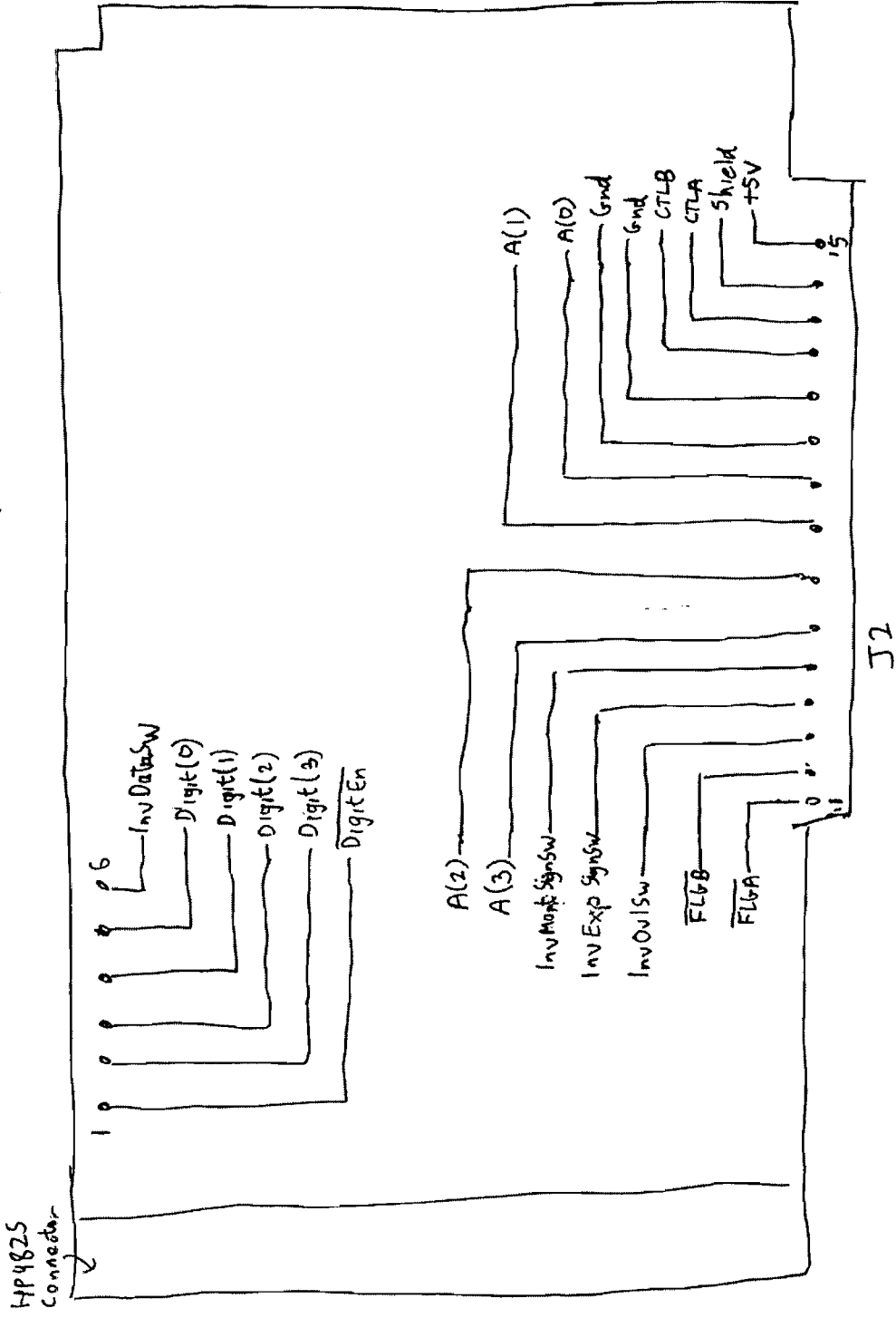


Count	D3	D2	D1	D0	
15	1	\overline{MS}	MS	1	Mantissa Sign 1011, 1101
14	D1D	D1C	D1B	D1A	Digit 1
13	D2D	D2C	D2B	D2A	Digit 2
12	D3D	D3C	D3B	D3A	Digit 3
11	D4D	D4C	D4B	D4A	Digit 4
10	D5D	D5C	D5B	D5A	Digit 5
9	D6D	D6C	D6B	D6A	Digit 6
8	D7D	D7C	D7B	D7A	Digit 7
7	D8D	D8C	D8B	D8A	Digit 8
6	1	1	1	0	'E'
5	1	\overline{ES}	ES	1	Exp Sign 1011, 1101
4	ExpD	ExpC	ExpB	ExpA	Exp Digit
3	1	1	0	0	'J'
2	0V1	0	0	0	Overflow '8', '0'
1	FD	FC	FB	FA	Function Digit
0	1	0	1	0	LF

98033 Data Mux

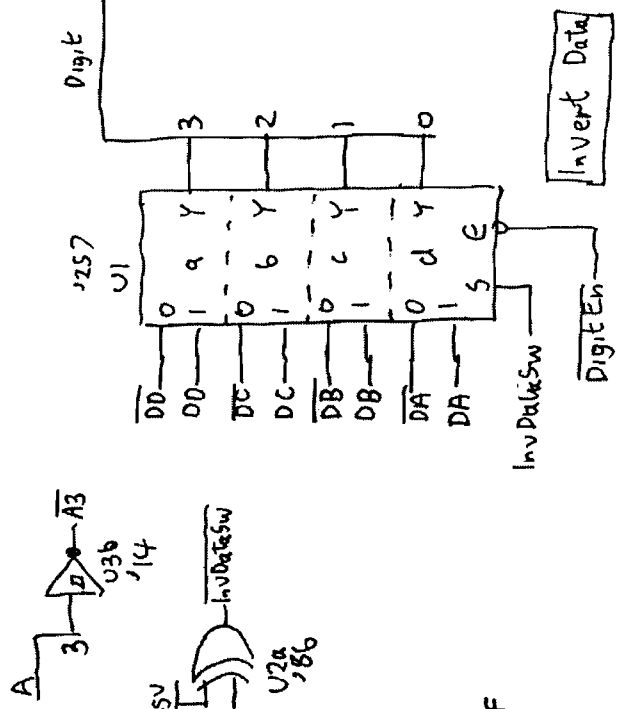
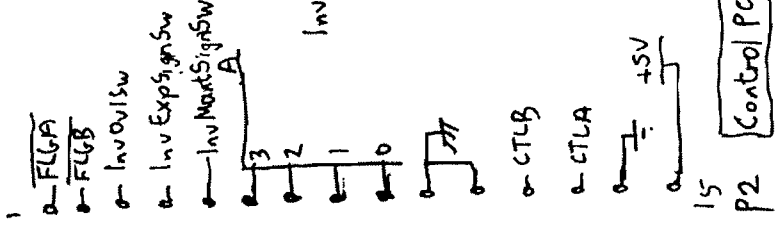
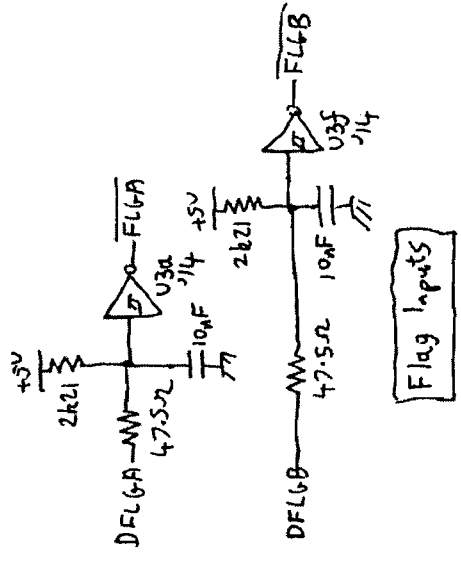
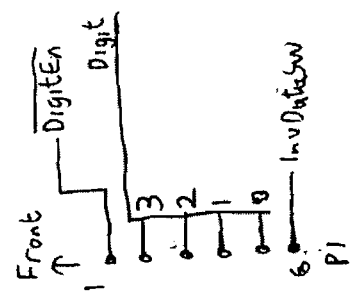
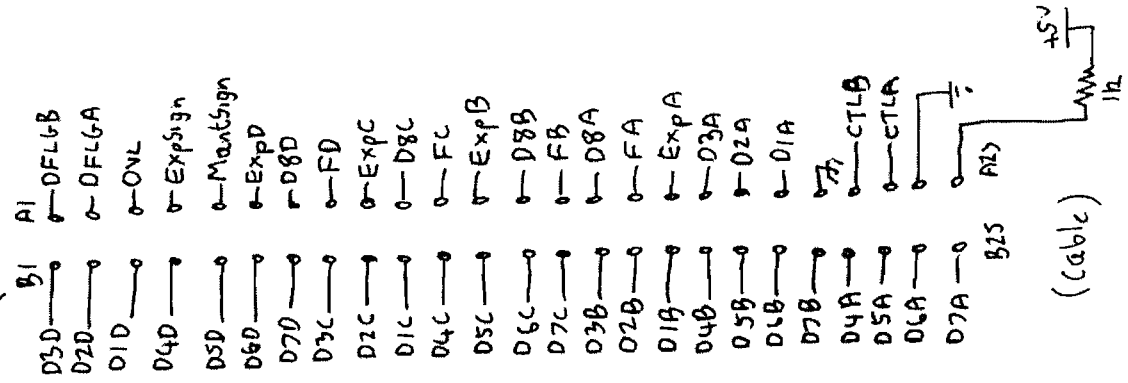
Count	Normal				Alternative					
	A3	A2	A1	A0	A3	A2	A1	A0		
15	1	1	1	1	1	1	1	1	15	Mantissa Sign
14	1	1	1	0	1	0	1	1	13	D4
13	1	1	0	1	1	1	0	1	13	D2
12	1	1	0	0	1	0	0	1	9	D6
11	1	0	1	1	0	1	1	1	7	D8
10	1	0	1	0	0	0	1	1	3	'J'
9	1	0	0	1	0	1	0	1	5	Exp Sign
8	1	0	0	0	0	0	0	1	1	Function Digit
7	0	1	1	1	1	1	1	0	14	D1
6	0	1	1	0	1	0	1	0	10	D5
5	0	1	0	1	1	1	0	0	12	D3
4	0	1	0	0	1	0	0	0	8	D7
3	0	0	1	1	0	1	1	0	6	'E'
2	0	0	1	0	0	0	1	0	2	Overflow
1	0	0	0	1	0	1	0	0	4	Exp Digit
0	0	0	0	0	0	0	0	0	0	LF

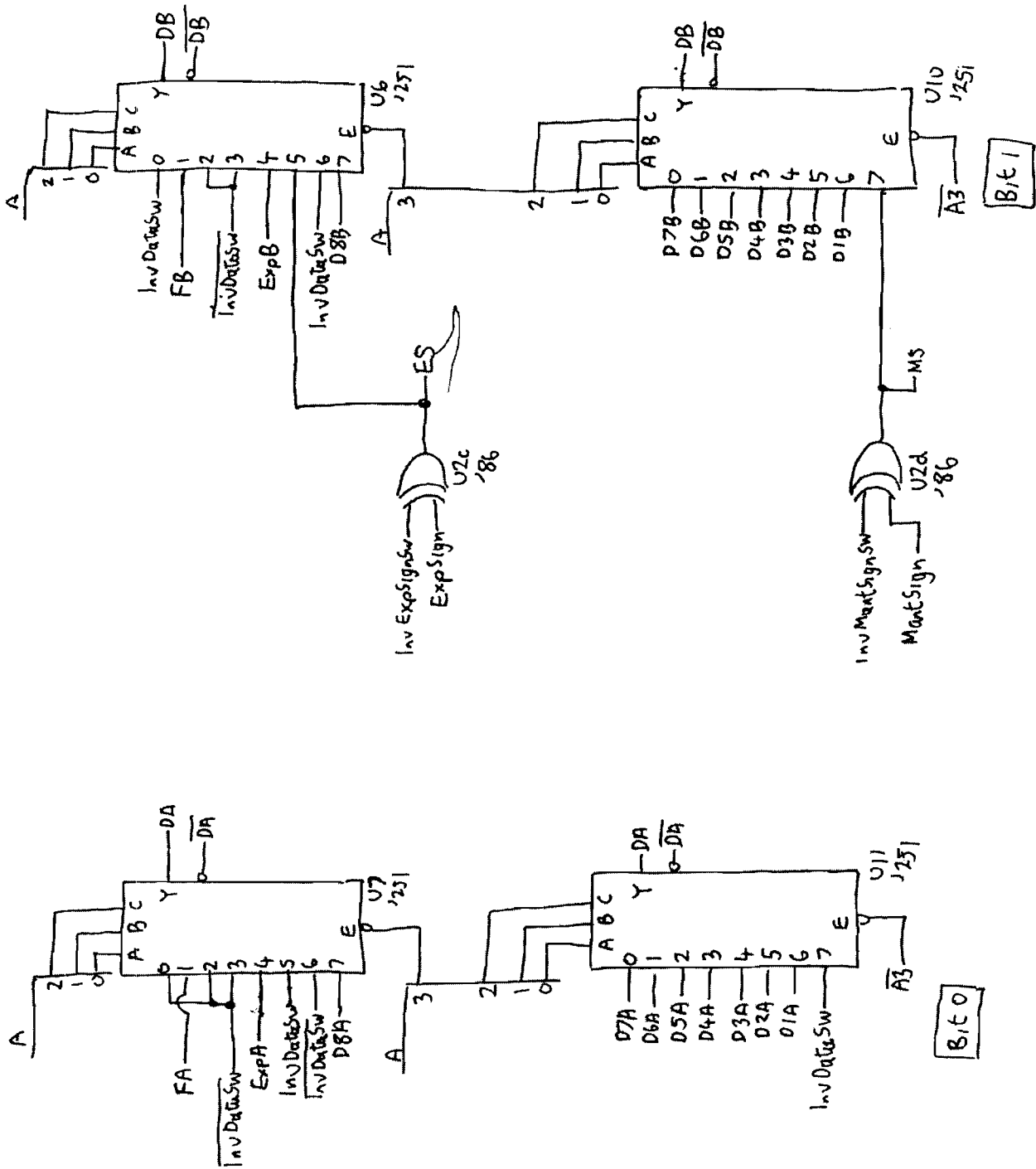
HP 98033 Alternative Data Format

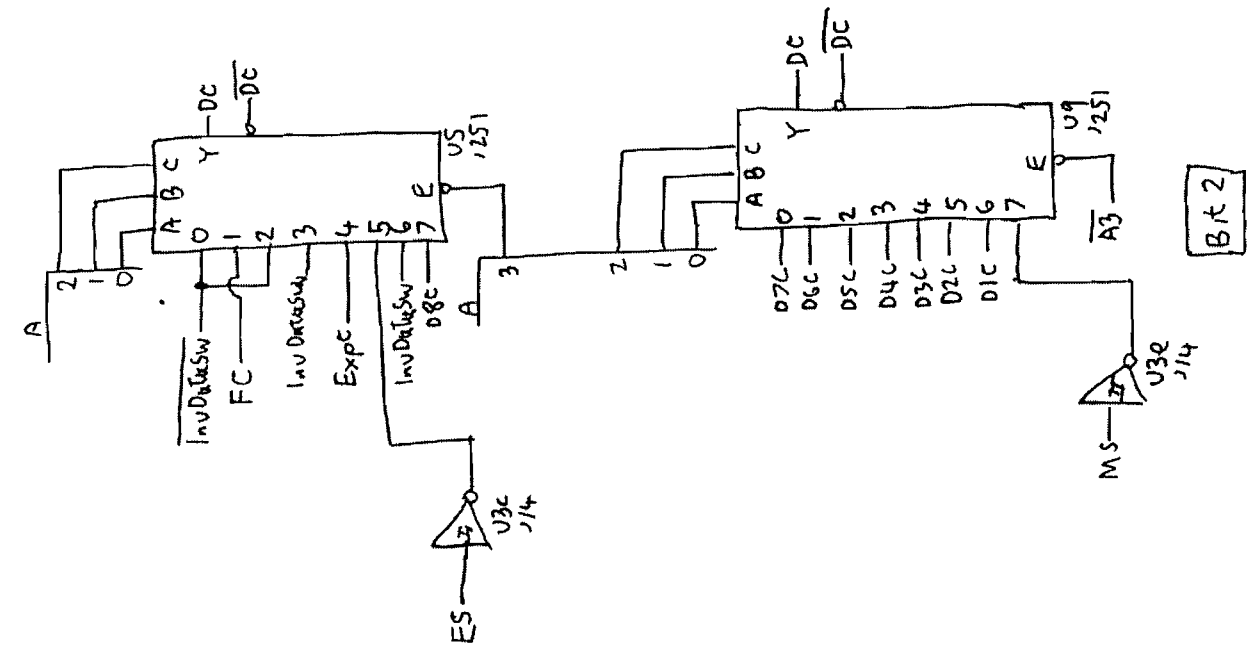
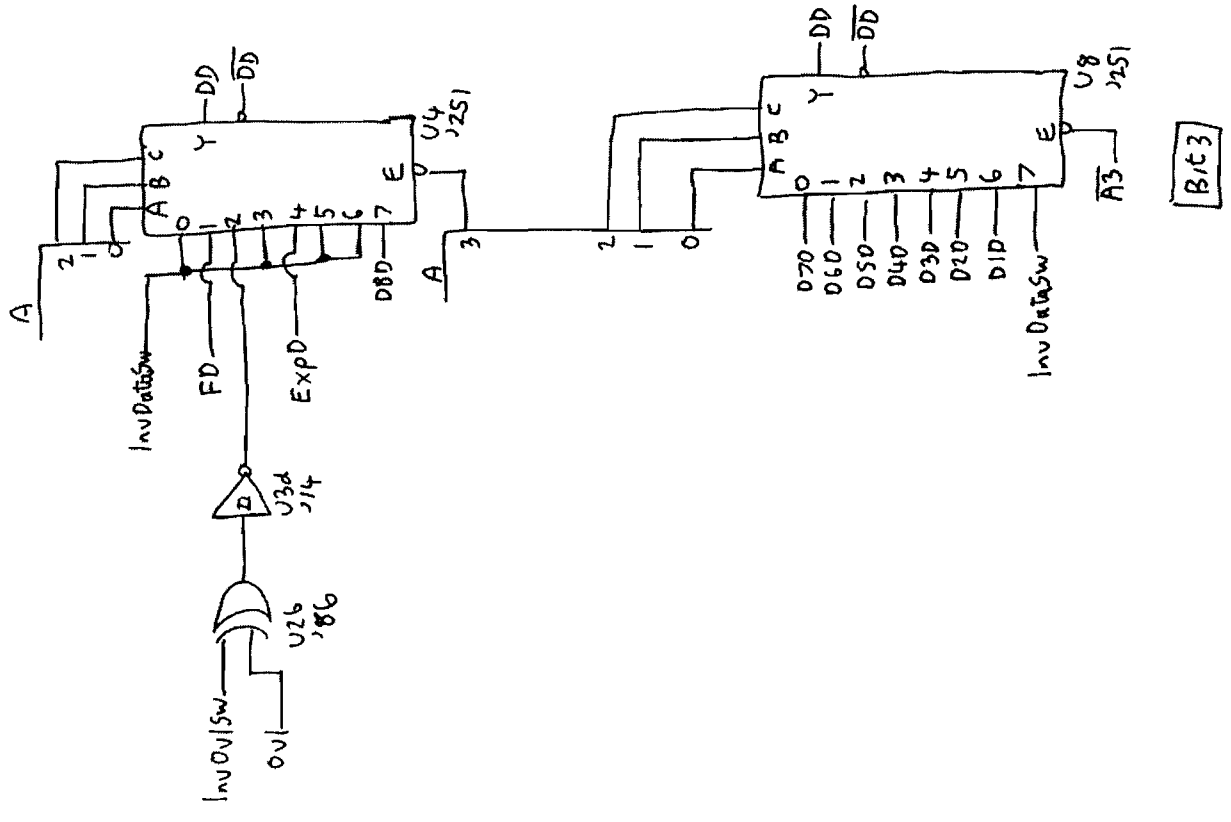


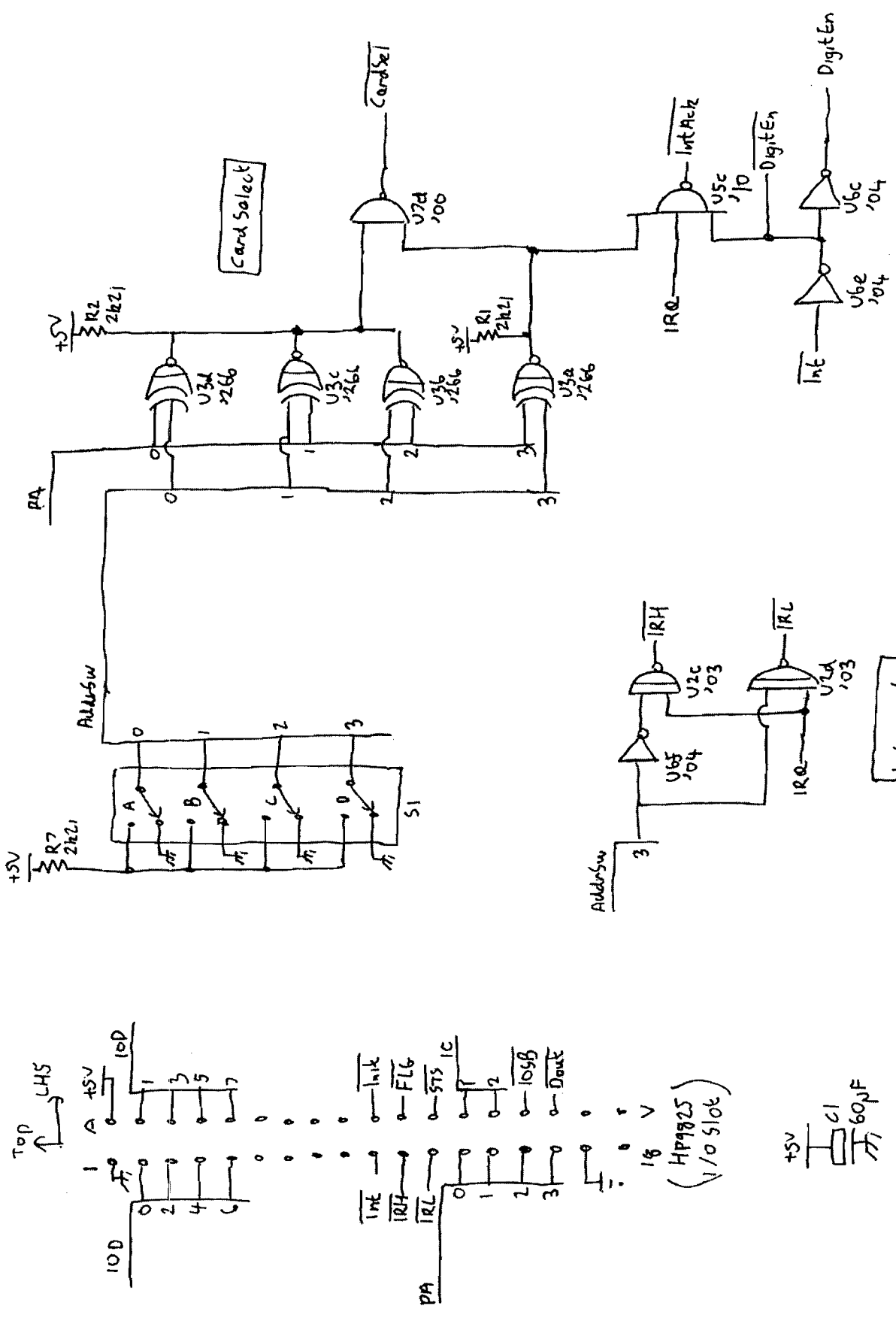
HP98033 Control PCB Connector

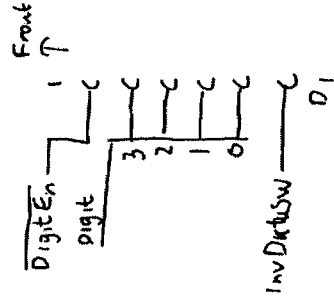
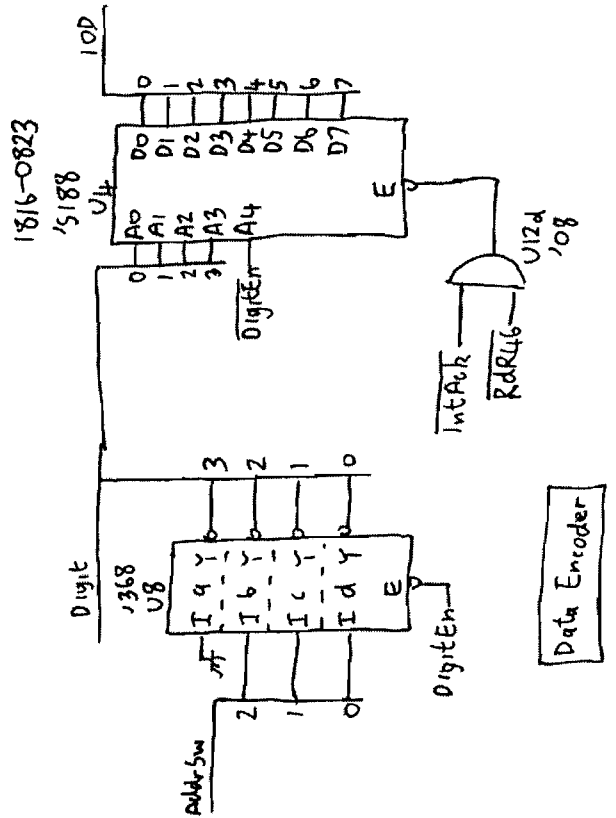
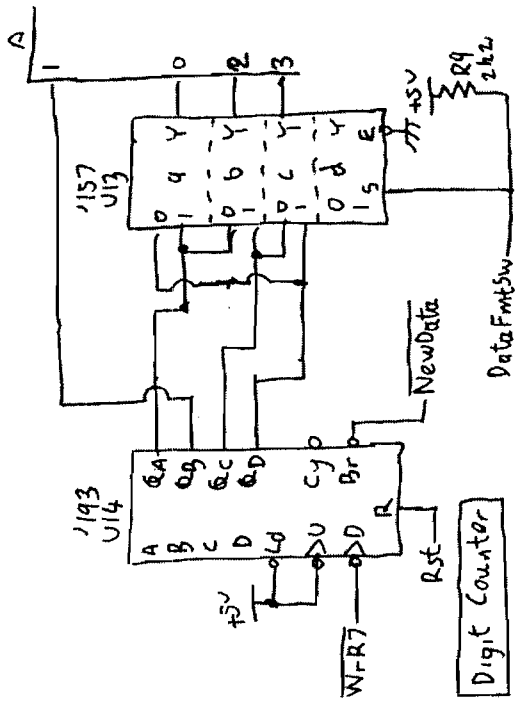
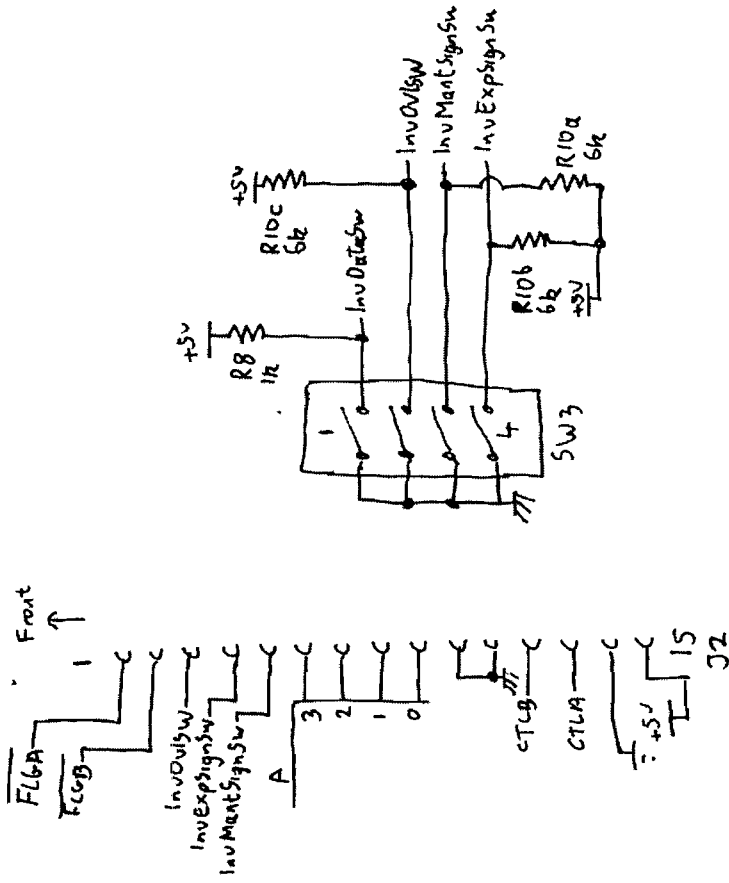
LHS TOP





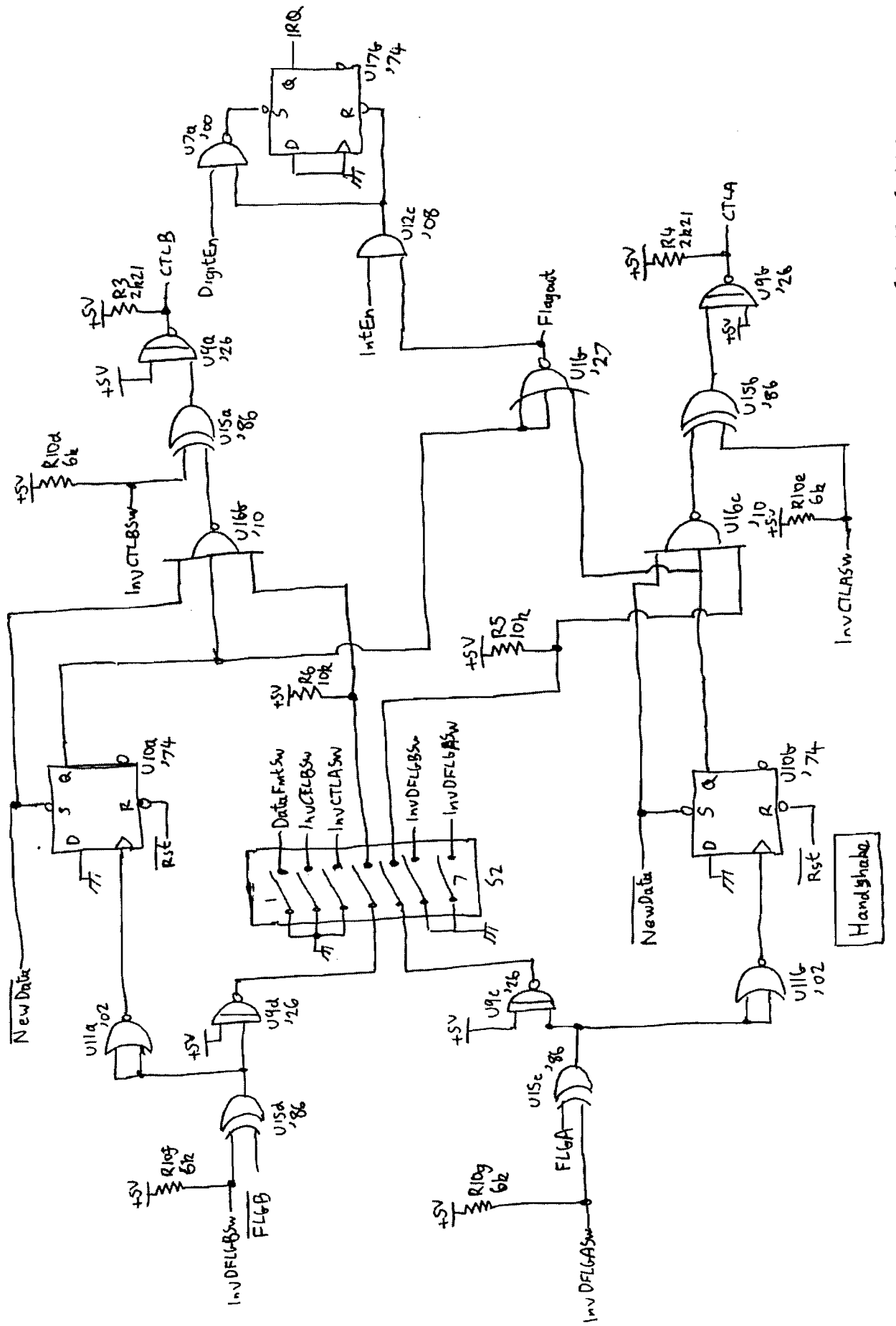






Data PCB Connectors

Data Encoder



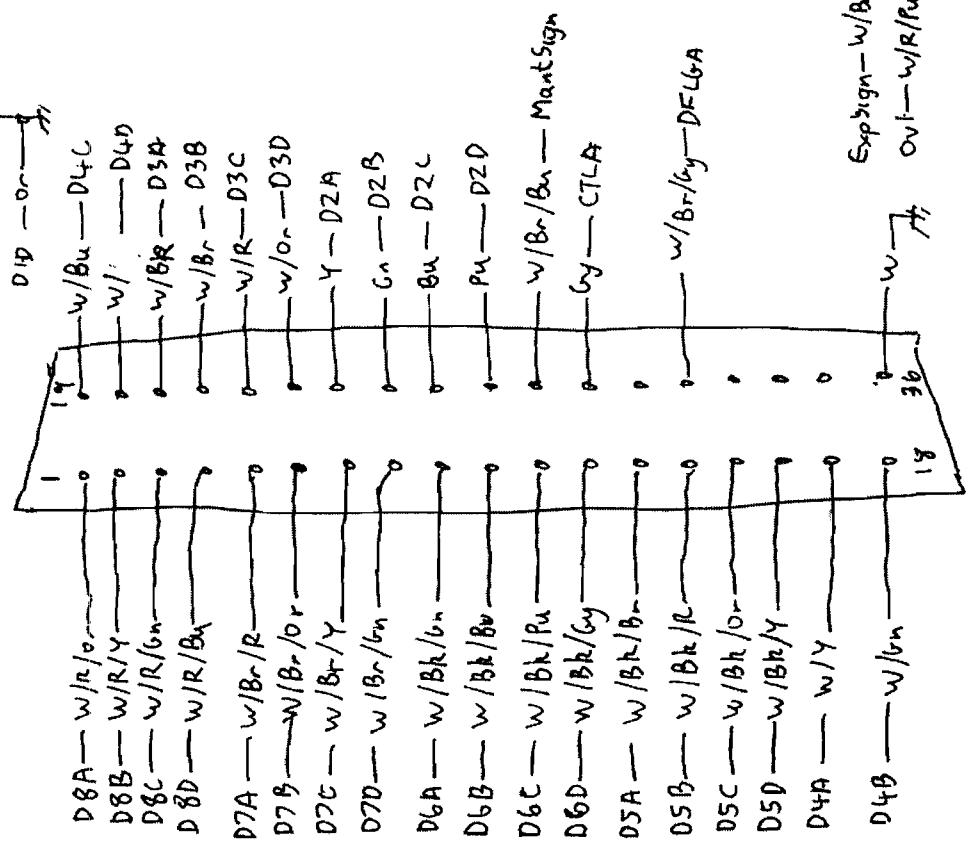
TOP
LHS ↑

D3D — w/or Gy — DFLGB
 D2D — Pu — DFLGA
 D1D — Or — OVL
 D4D — w/Pu — ExpSign
 D5D — w/Bk/Bu — MantSign
 D6D — w/Bk/Gy — D8D
 D7D — w/Bk/Gn — FD
 D3C — w/R — ExpC
 D2C — Bu — D8C
 D1C — R — FC
 D4C — w/Bu — FC
 D5C — w/Bk/Gn — ExpB
 D6C — w/Bk/Pu — D8B
 D7C — w/Bk/Y — FB
 D3B — w/Bk — D8A
 D2B — Gn — FA
 D1B — Br — ExpA
 D4B — w/Gn — D3A
 D5B — w/Bk/R — D2A
 D6B — w/Bk/Bu — D1A
 D7B — w/Bk/Or — CTLB
 D4A — w/Y — CTLA
 D5A — w/Bk/Bu — Shield
 D6A — w/Bk/Gn — +SURef
 D7A — w/Bk/R — B25 A23

(To 98033-66501 PUG)

+SURef — w/or Gy

D1A — Bk
 D1B — Br
 D1C — R
 D1D — Or



FA — w/Y/Gn
 FB — w/Y/Bu
 FC — w/Y/Pu
 FD — w/Y/Gy

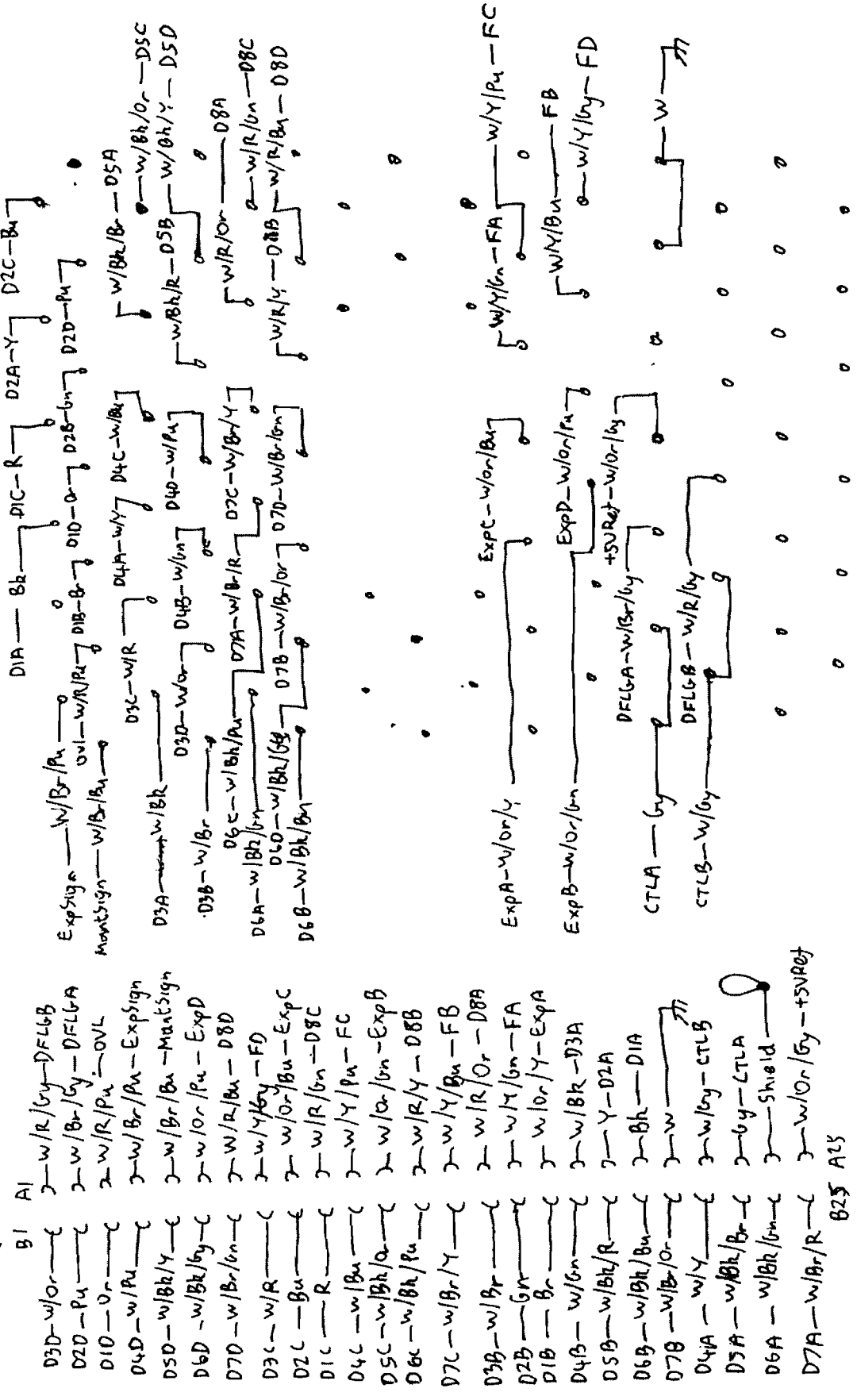
36 pin
Microribbon Plug

CTLB — w/Gy

ExpSign — w/Bk/Pu
 Out — w/R/Pu

ExpA — w/or/Y
 ExpB — w/or/Gn
 ExpC — w/or/Bu
 ExpD — w/or/Pu

W4 TOP



(TO 98033-66501 PCB)

(Small Key) (EDAC 516-90) Plug

HP48033 BCD Interface Cable (ARD'S wiring)