

92171V/W/Y Installation and Assembly

The HP 92171V/W/Y consists of a tilt unit (92171V), a swivel unit (92171W) and a swivel adapter (92171Y). The 92171V is used with terminals and personal computers to provide vertical viewing angle adjustment. The 92171W is used to provide rotation. The 92171W will also accommodate a peripheral (such as the HP 9121 disc drive) to maintain cable integrity between computer and peripheral while being rotated. The 92171Y can be used to provide rotation to the 92171V.

Unpacking The HP 92171V/W/Y

The HP 92171V/W/Y was carefully inspected before it was shipped to you. Please verify that all parts are present as ordered. If any part is missing, contact the nearest HP Sales and Service Office. If there is any physical damage, file a claim with the carrier.

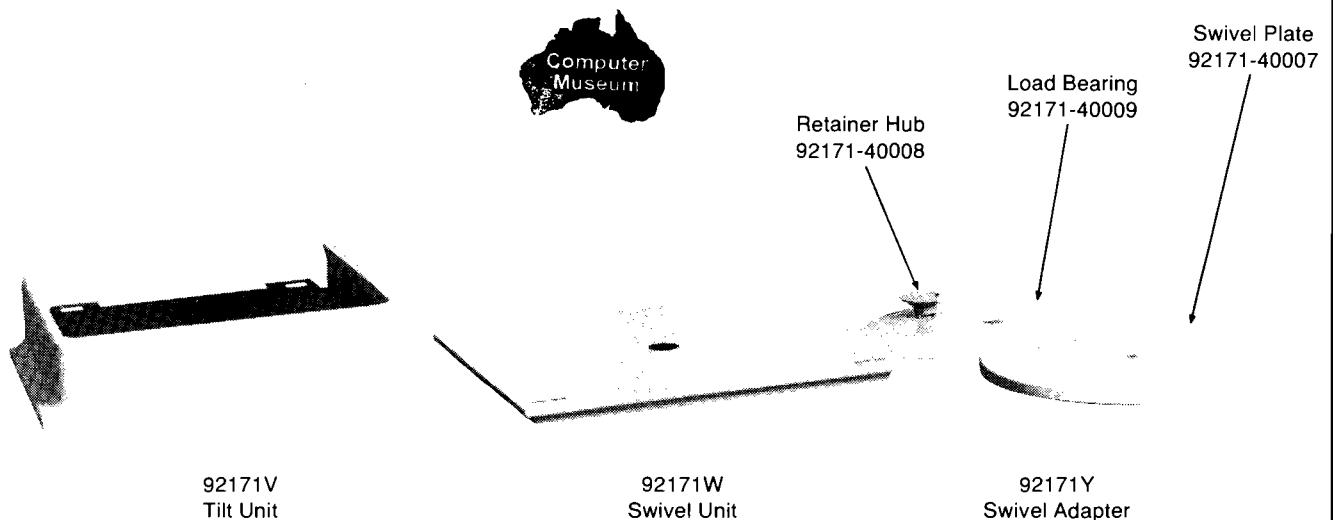


Figure 1. Component Reference Locator

Desktop Computer Division • 3404 East Harmony Road • Fort Collins, Colorado 80525

92171-90000
E1082
Printed in U.S.A.
First Edition, October 1982

 **HEWLETT
PACKARD**

Tilt Unit and Swivel Unit Assembly

If you are using both the tilt unit and swivel unit, set the swivel unit where you want to locate the system. Place the tilt unit on top of the swivel unit. Ensure that the feet of the tilt unit engage the groove on the top of the swivel unit.

If you have a suitable peripheral (such as the HP 9121 disc drive) it may be placed between the tilt unit and swivel unit. Ensure that the feet of the peripheral engage the groove in the swivel unit. The feet of the tilt unit must engage the groove in the top of the disc drive.

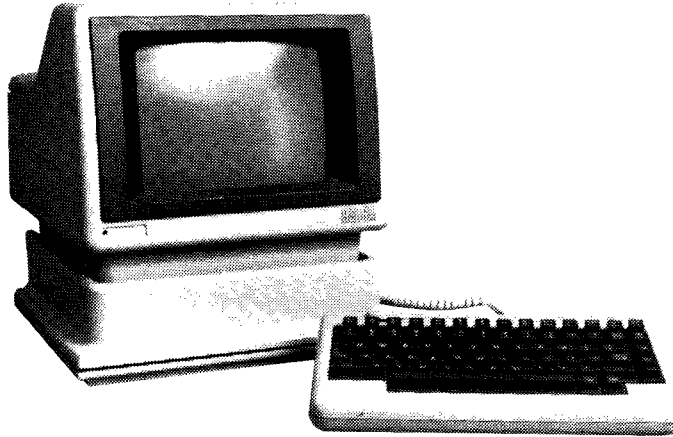


Figure 2. Tilt and Swivel

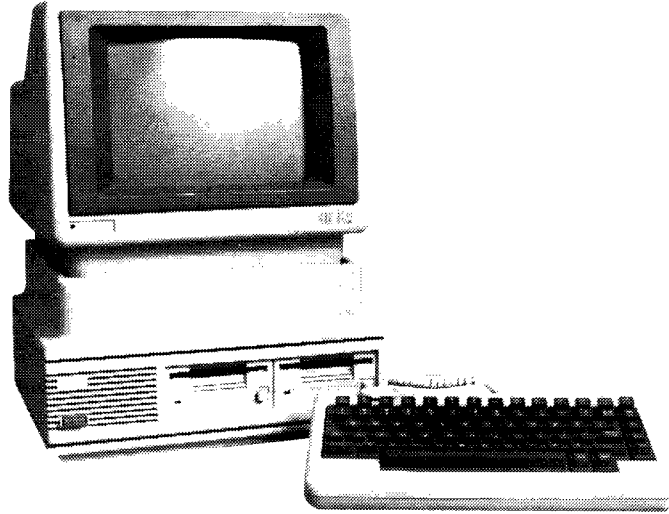


Figure 3. Tilt, Swivel, and Peripheral

WARNING

THE SEPARATE PARTS OF THE STACK ARE NOT PERMANENTLY ATTACHED TO EACH OTHER. WHEN MOVING THE STACK, CARE SHOULD BE TAKEN TO LIFT THE COMPLETE STACK OR TO MOVE THE COMPONENTS ONE AT A TIME.

HP Computer Museum
www.hpmuseum.net

For research and education purposes only.

Tilt Unit and Swivel Adapter Assembly

If you are using the tilt unit alone and want the swivel capability, install the swivel adapter (see Figure 4). The retainer hub is inserted through the large hole in the tilt table into the small hole in the base plate. Then turn the tilt unit over and, holding the retainer hub in place, lay the plastic load bearing over the protruding retainer hub. Next, center the swivel plate over the hub and press until they snap together.

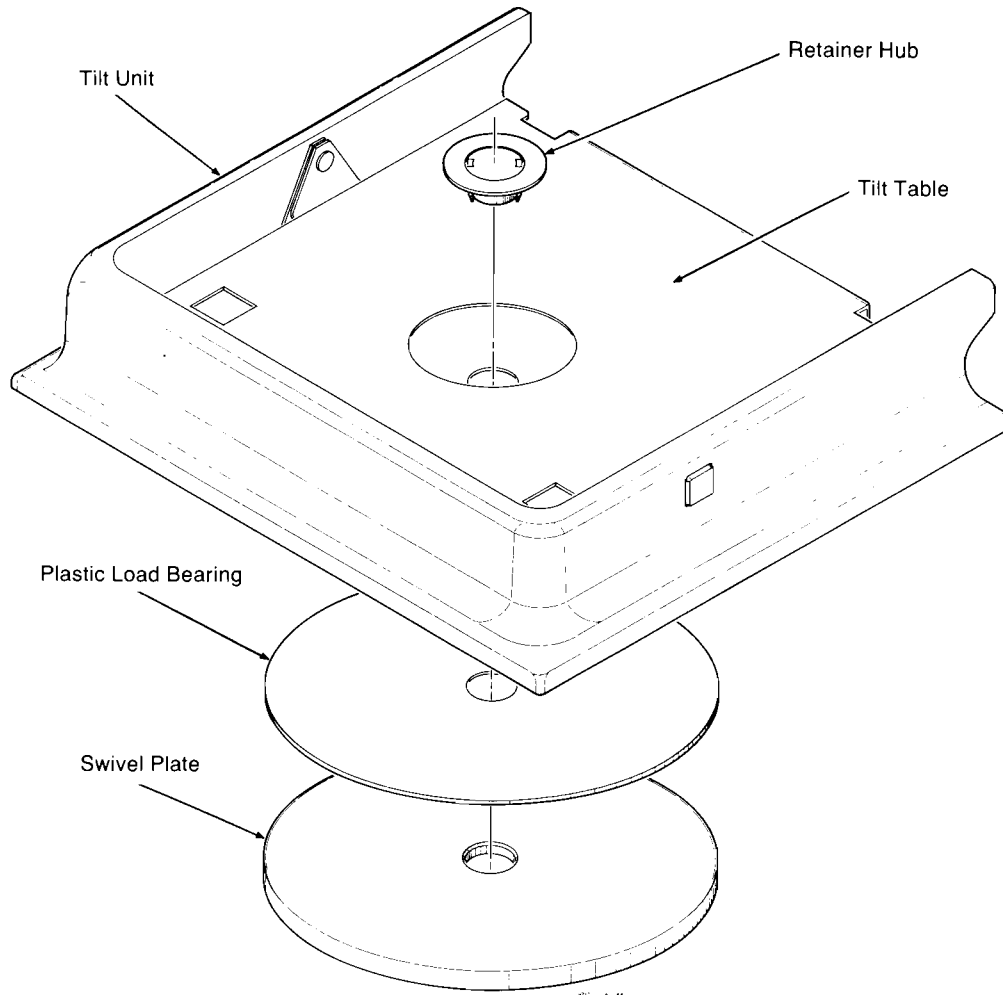


Figure 4. Tilt Unit and Swivel Adapter

Place the tilt unit on the worktable and set the computer onto tilt unit.

Tilt Unit Alone

If you are using the tilt unit by itself, you may want to remove the two front feet. Lift the rear of each foot and push it toward the rear of the tilt unit. Then lift it clear of the sheet metal base (see Figure 5). Place the tilt unit on the worktable and set the computer onto it.



Figure 5. Tilt Unit Foot Removal

Position Adjustment

Press and hold the button on the right side of the tilt unit to release the tilt angle adjustment lock. Tilt the computer up or down until a comfortable viewing angle, without reflections, is obtained. Release the button.