

HP9154B

LHS
↑

<u>Rdy</u>	o	+12V
<u>HeadSel</u>	o	+12V
<u>RD</u>	o	+12V
<u>WrProt</u>	o	Gnd
<u>Trk00</u>	o	Gnd
<u>Wb</u>	o	Gnd
<u>WD</u>	o	Gnd
<u>step</u>	o	Gnd
<u>Dir</u>	o	Gnd
<u>MotorOn</u>	o	Gnd
<u>DS2</u>	o	Gnd
<u>DS1</u>	o	+5V
<u>DS0</u>	o	+5V
<u>Index</u>	o	+5V
<u>DS3</u>	o	+5V
<u>InUse</u>	o	+5V
<u>DiskChg</u>	o	DiskChgRst

Floppy Drive
Connector

- Front
↑
- o +12V
 - o +12VP
 - o Gnd(P)
 - o Gnd
 - o PVAL
 - X
 - o Gnd
 - o +5V

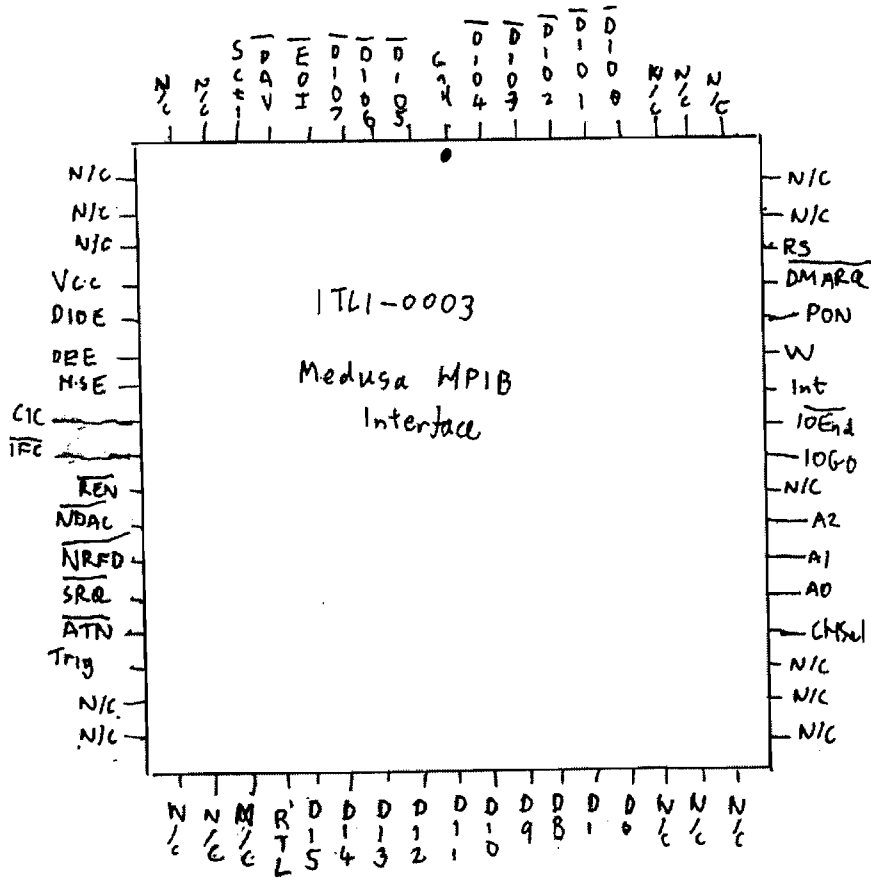
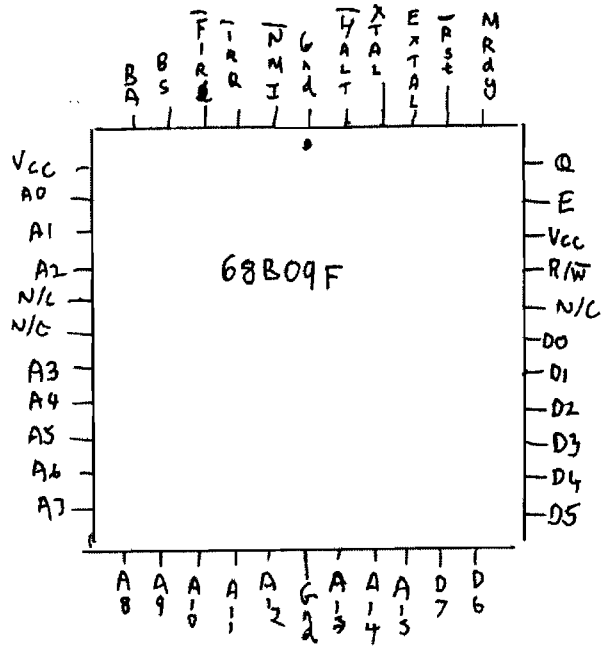
Controller
Power
Connector

LHS
↑

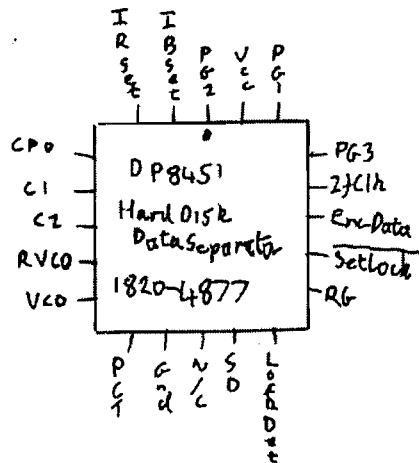
D3	o	D4
D2	o	D5
D1	o	D6
D0	o	D7
+12V	o	Fault
+12VP	o	+12VP
RSE	o	WANTIE
<u>INDEX</u>	o	Section
<u>N/A/B</u>	o	<u>WINDAC</u>
DS3	o	DS2
DS1	o	DS0
Gnd(P)	o	+12VP
Gnd(P)	o	+12VP
Gnd(P)	o	+5V
Gnd(P)	o	+5V
Gnd(P)	o	<u>RAADC</u>
Gnd(P)	o	CLKMMZ
Gnd(M)	o	WG
Gnd(P)-	o	WD
Gnd(P)-	o	RD

Hard Drive
Connector

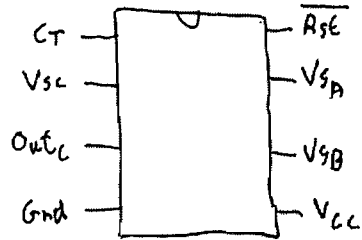
HP 9154B



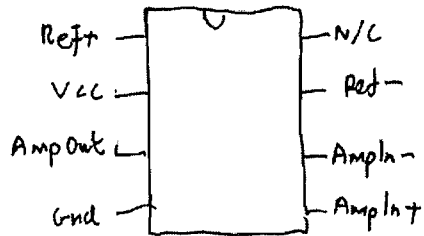
HP9154B



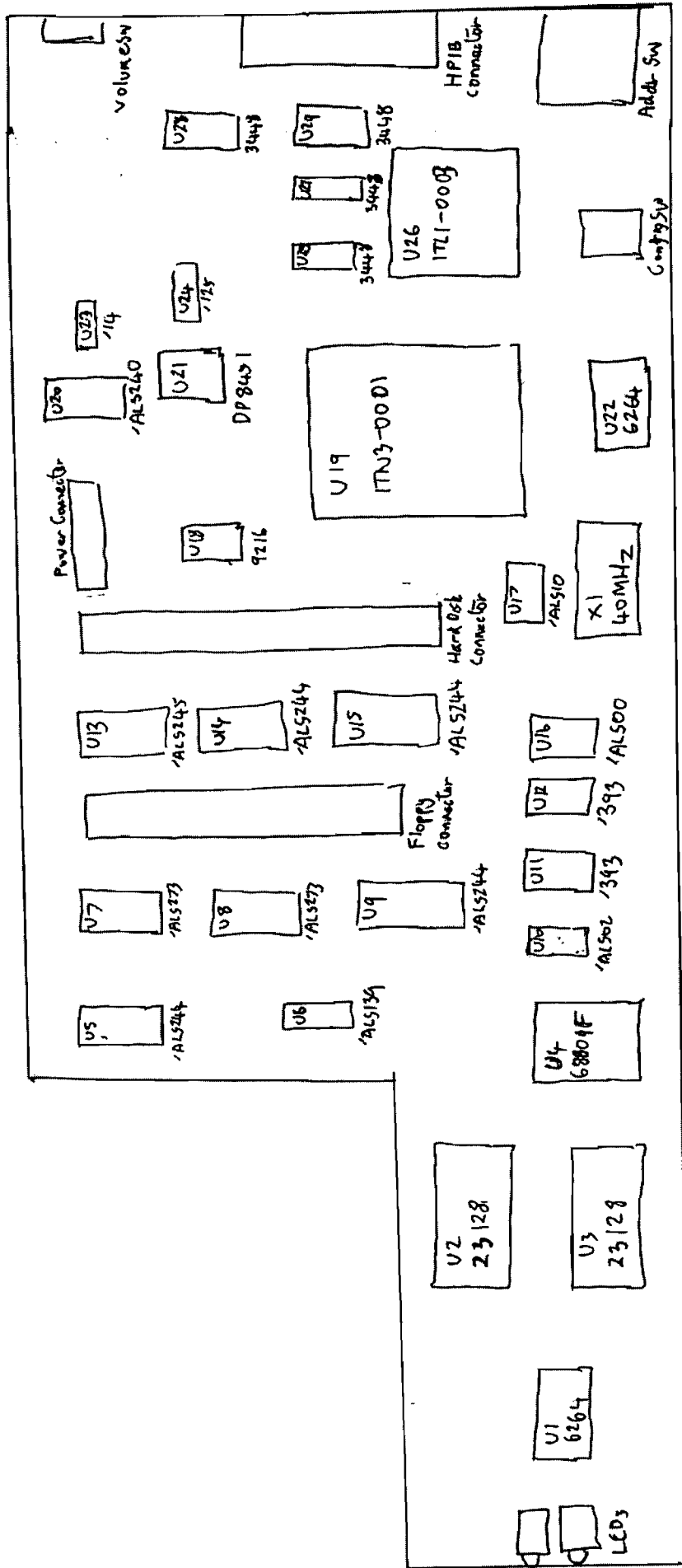
MB3771
PSU Monitor



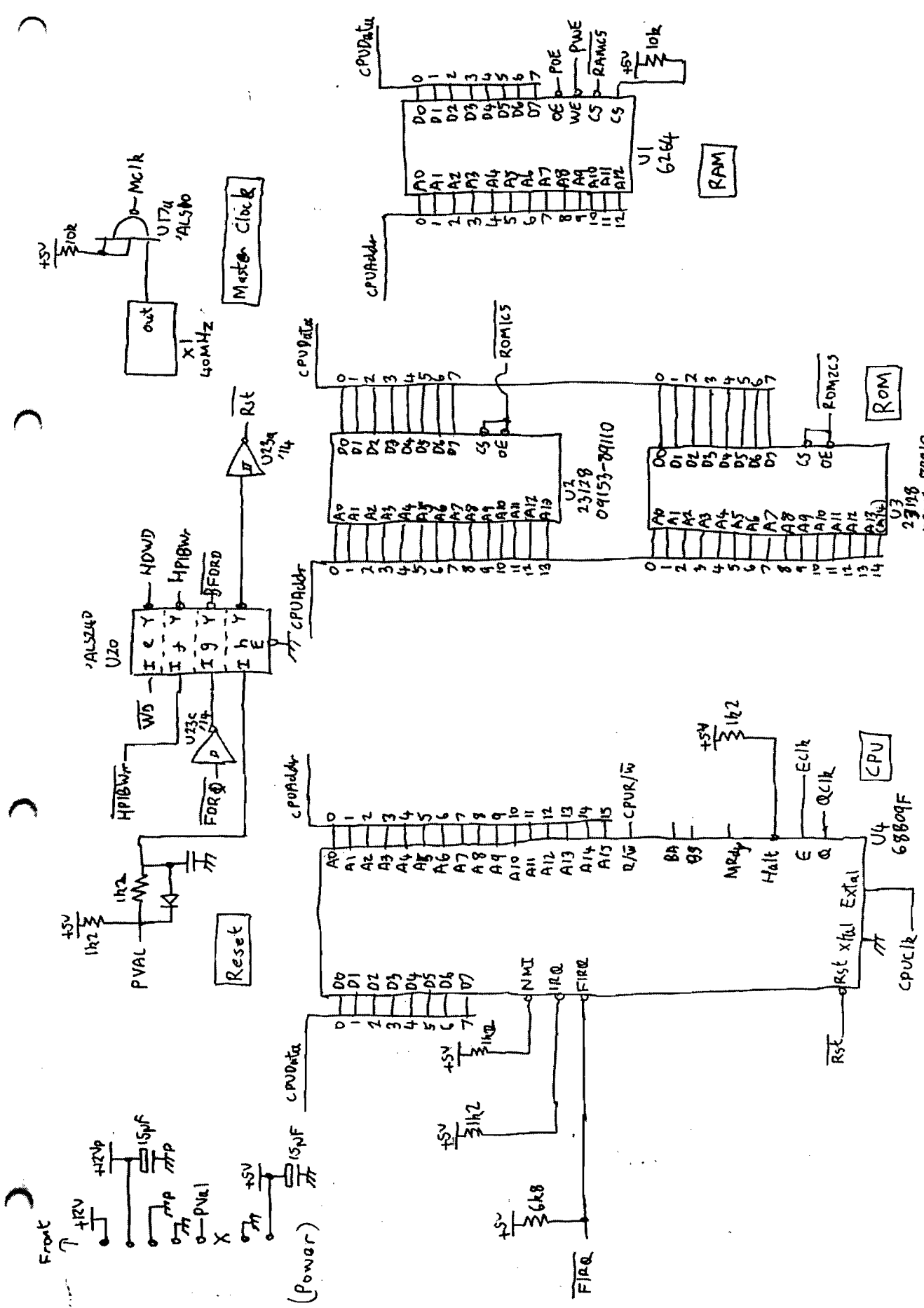
AN6500
Op-Amp + Reference



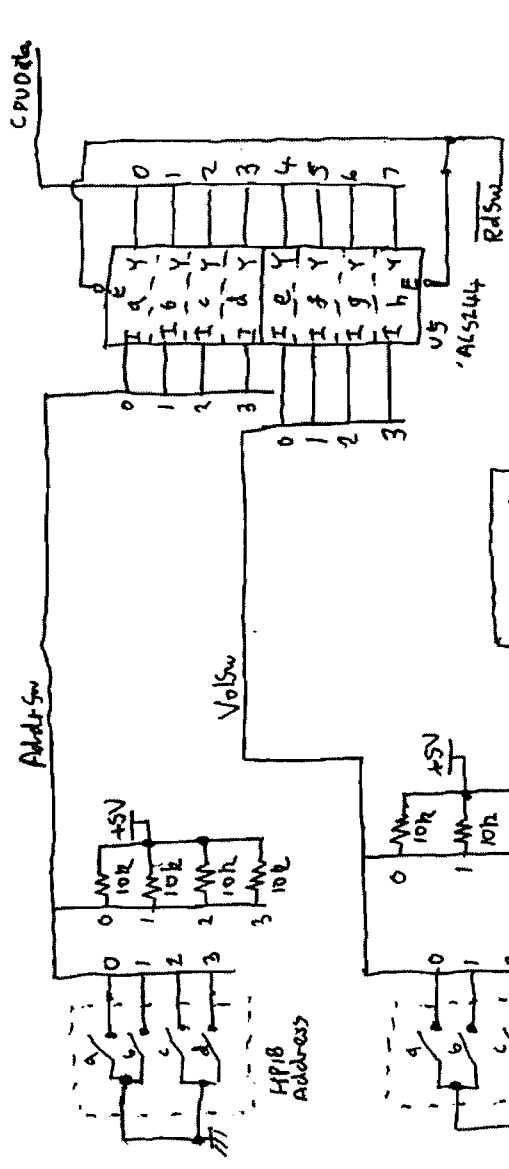
Front
←



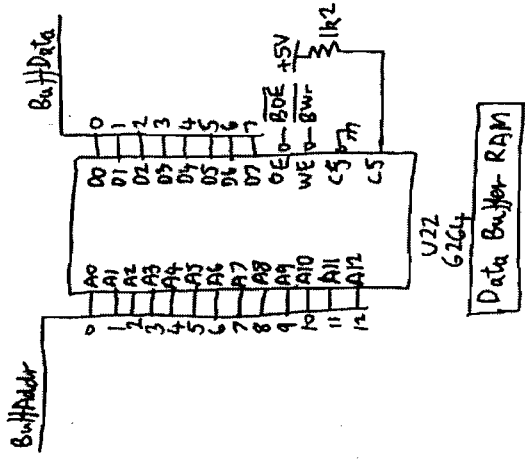
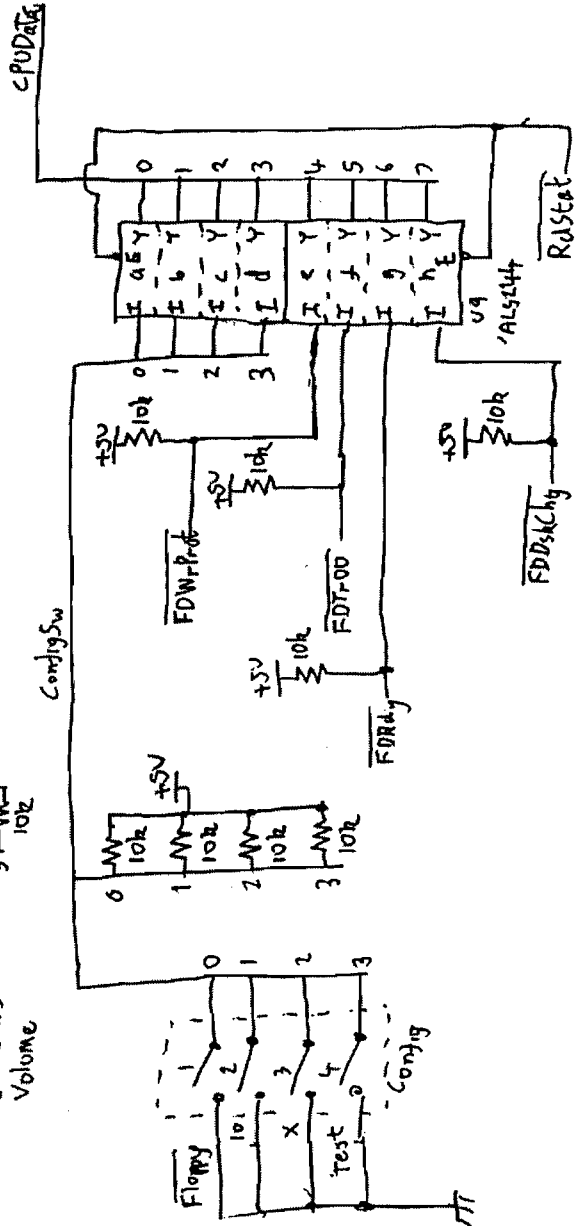
HP 9154B Controller PCB Layout



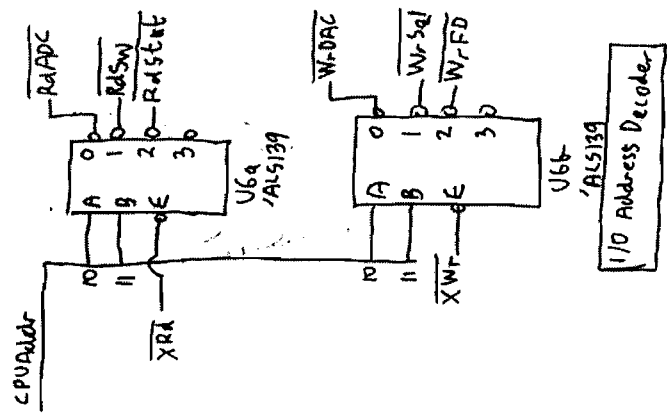
HP9154B Controller PCB Sheet 1
 09153-66510
 09154-89210



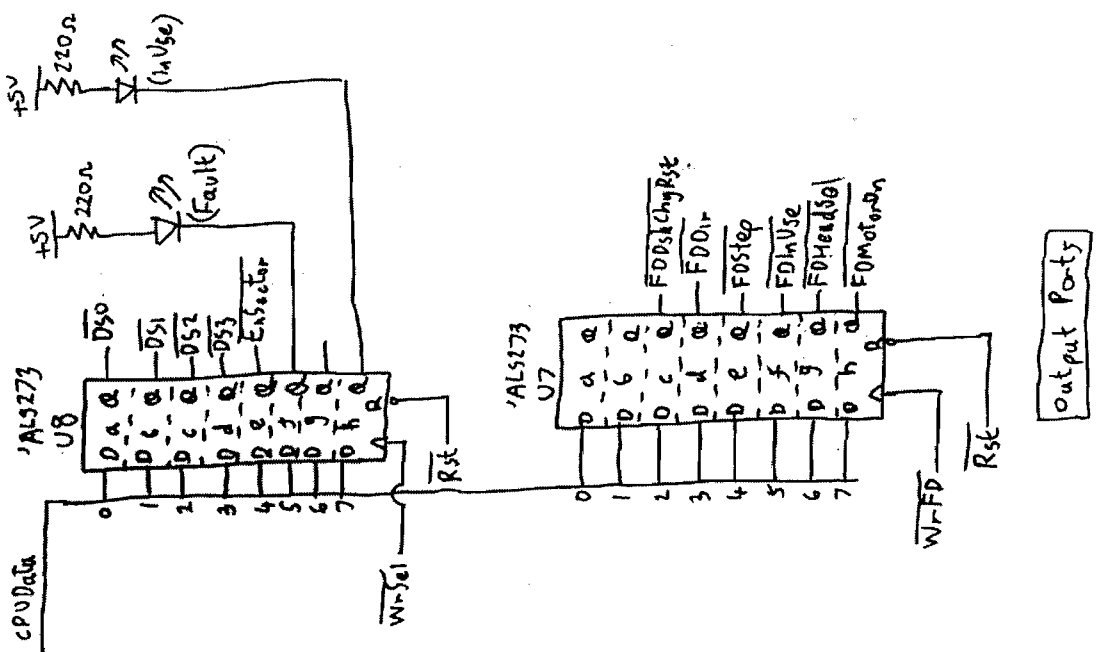
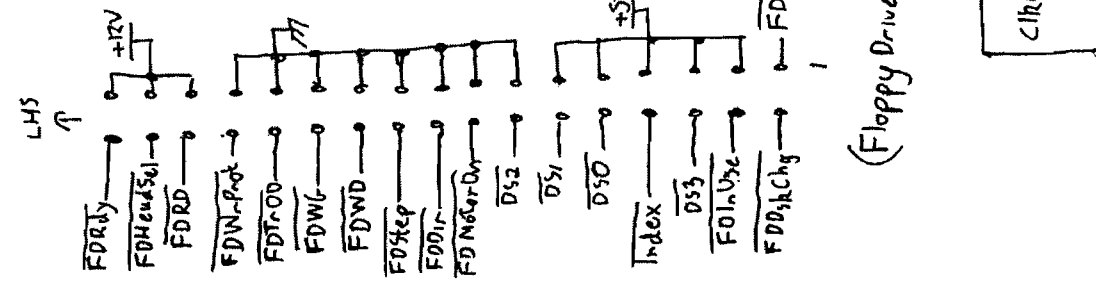
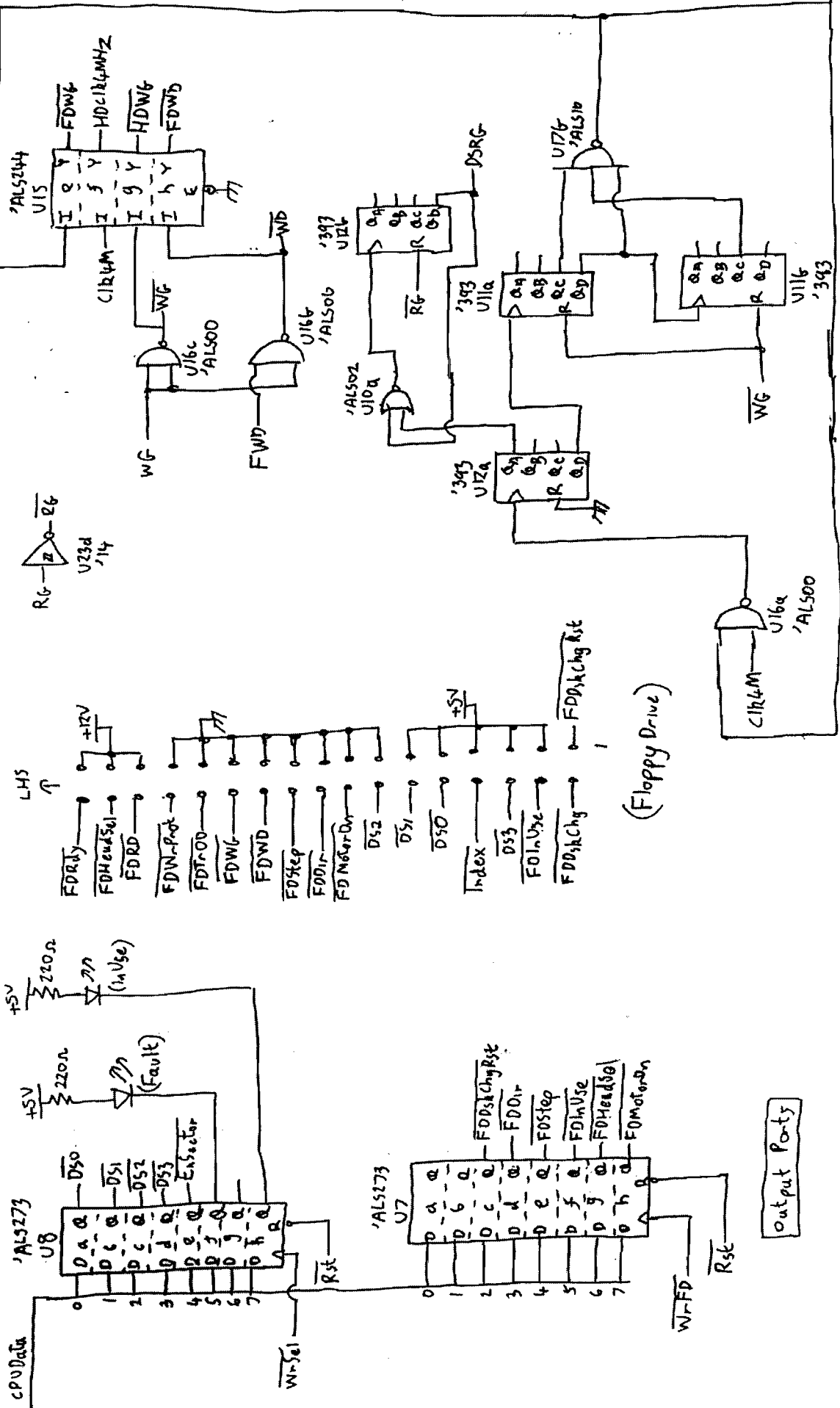
Input Ports



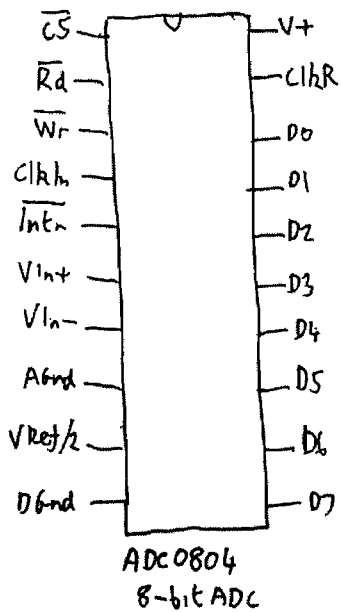
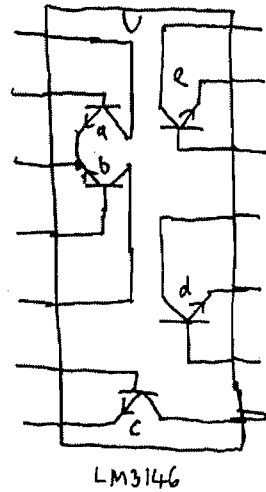
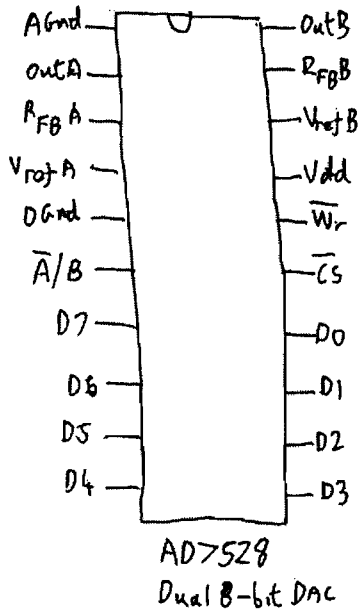
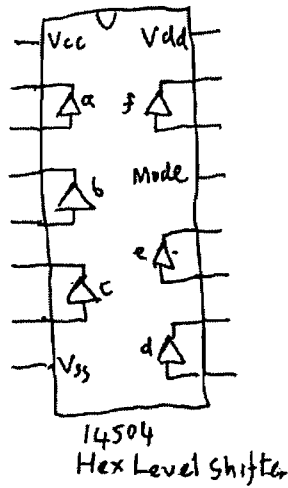
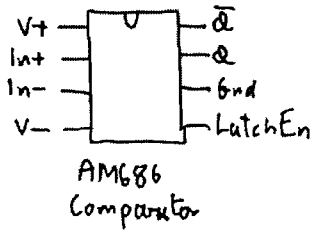
Data Buffer RAM

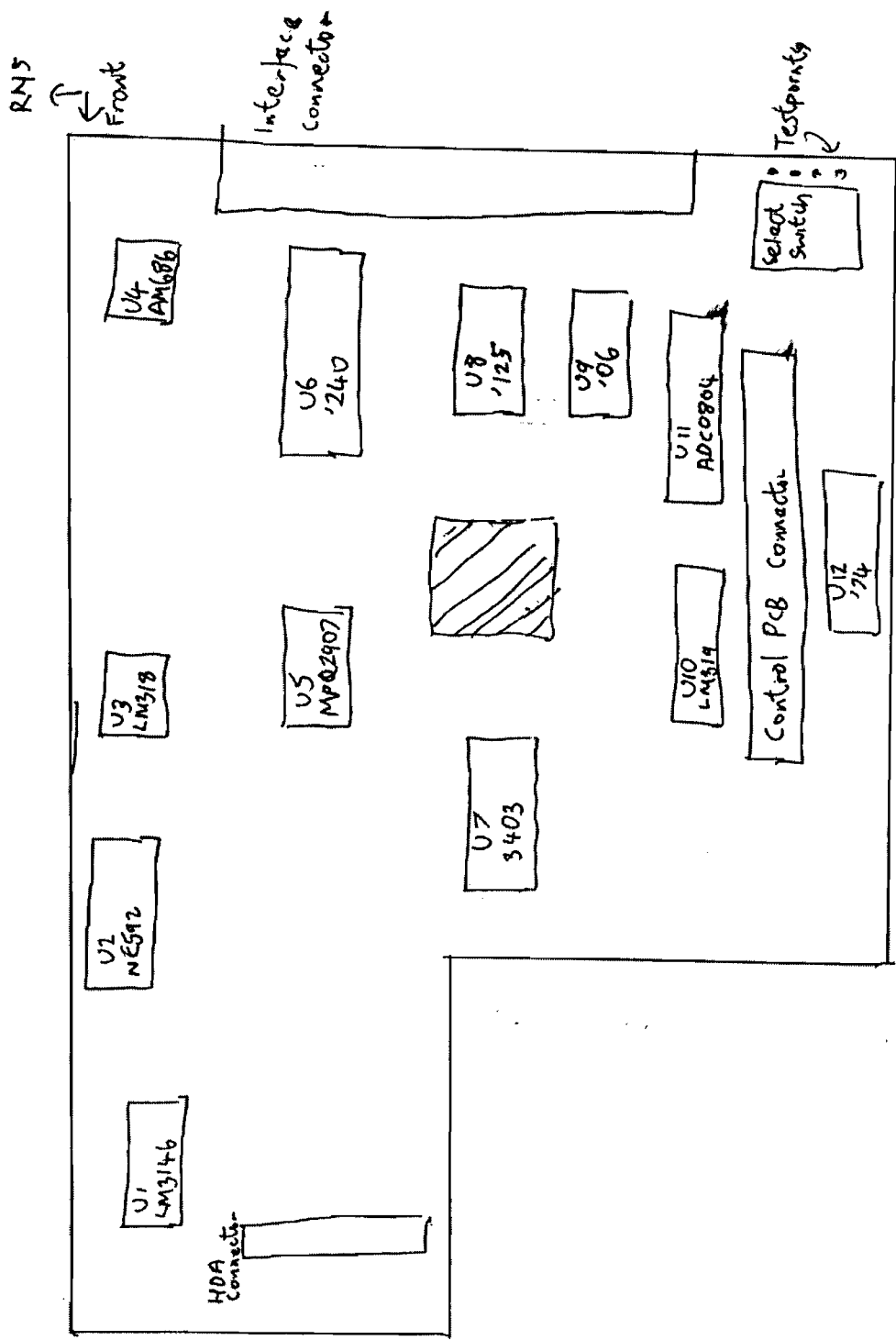


I/O Address Decoder

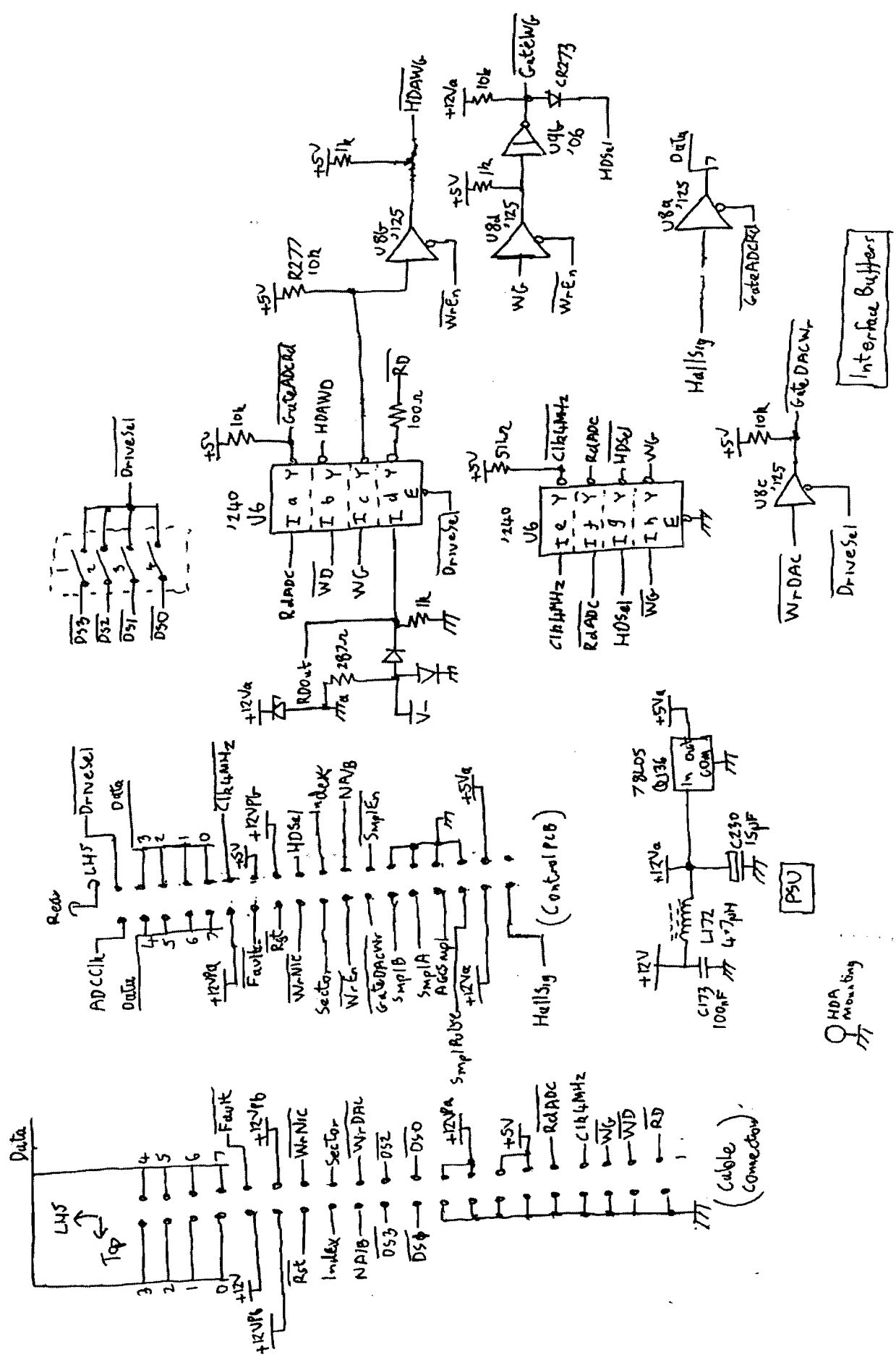


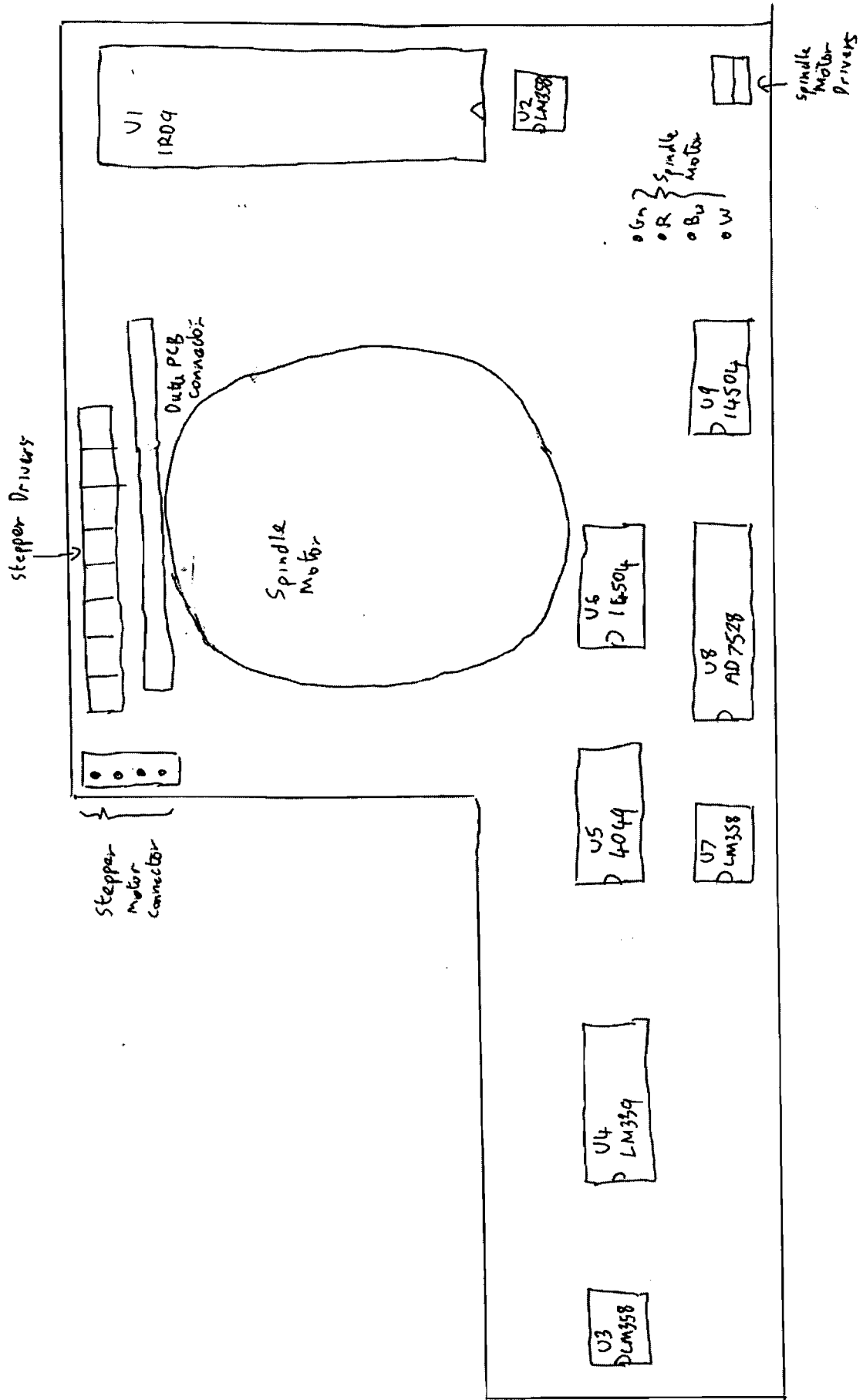
Night hawk



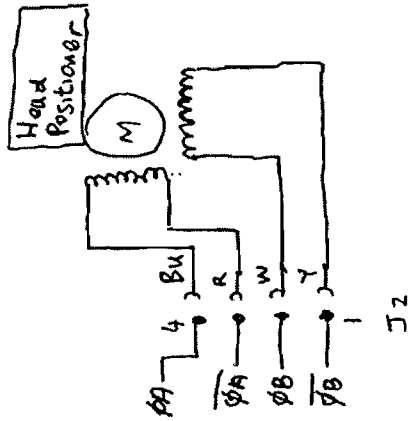
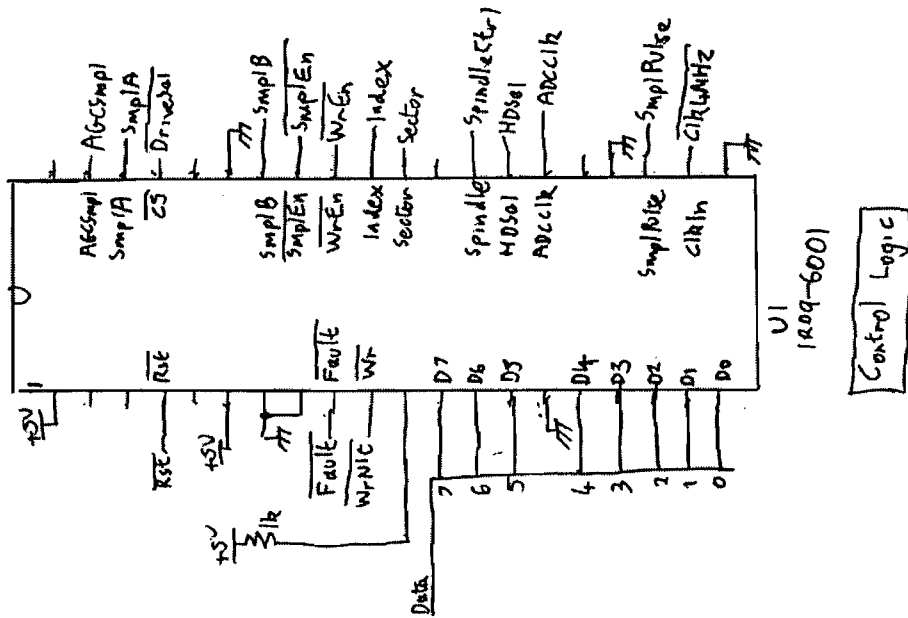
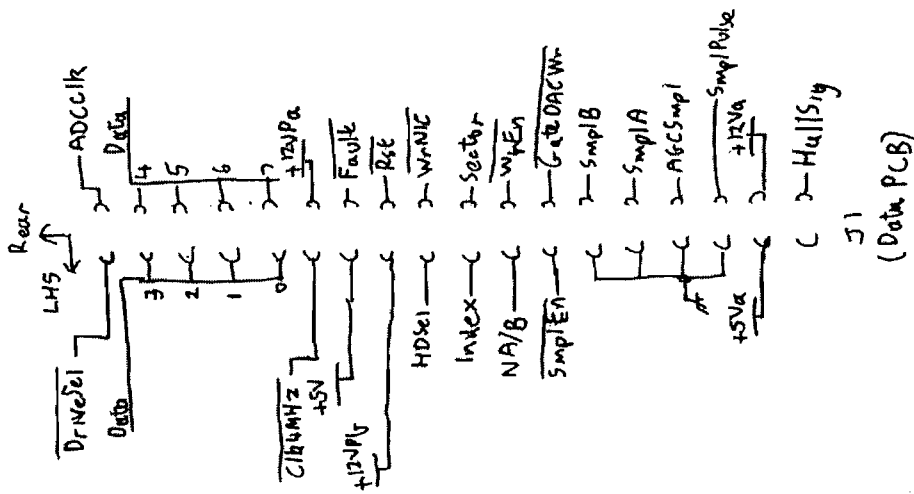


HP Nighthawk Data PCB Layout 97500-80001

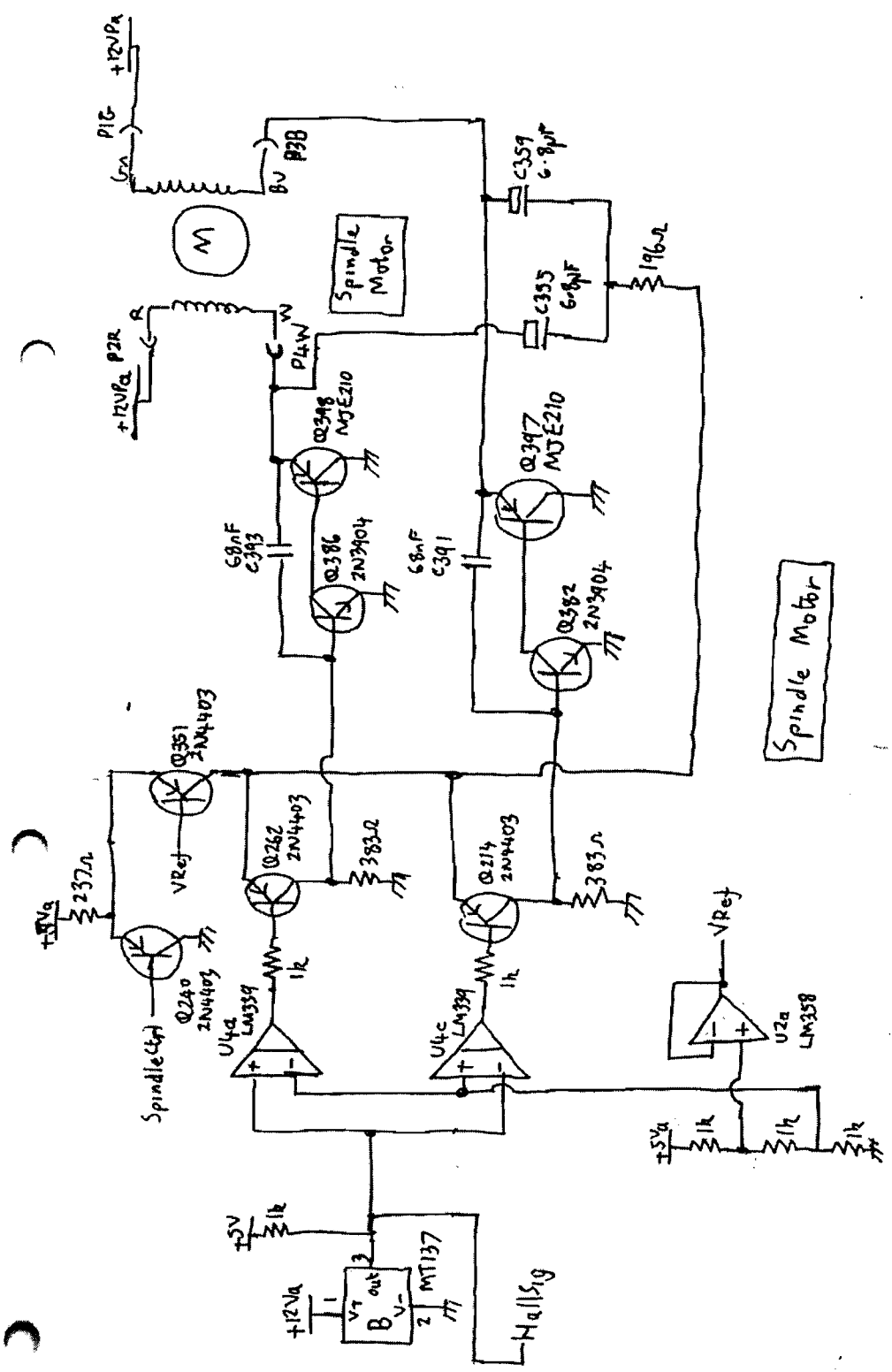




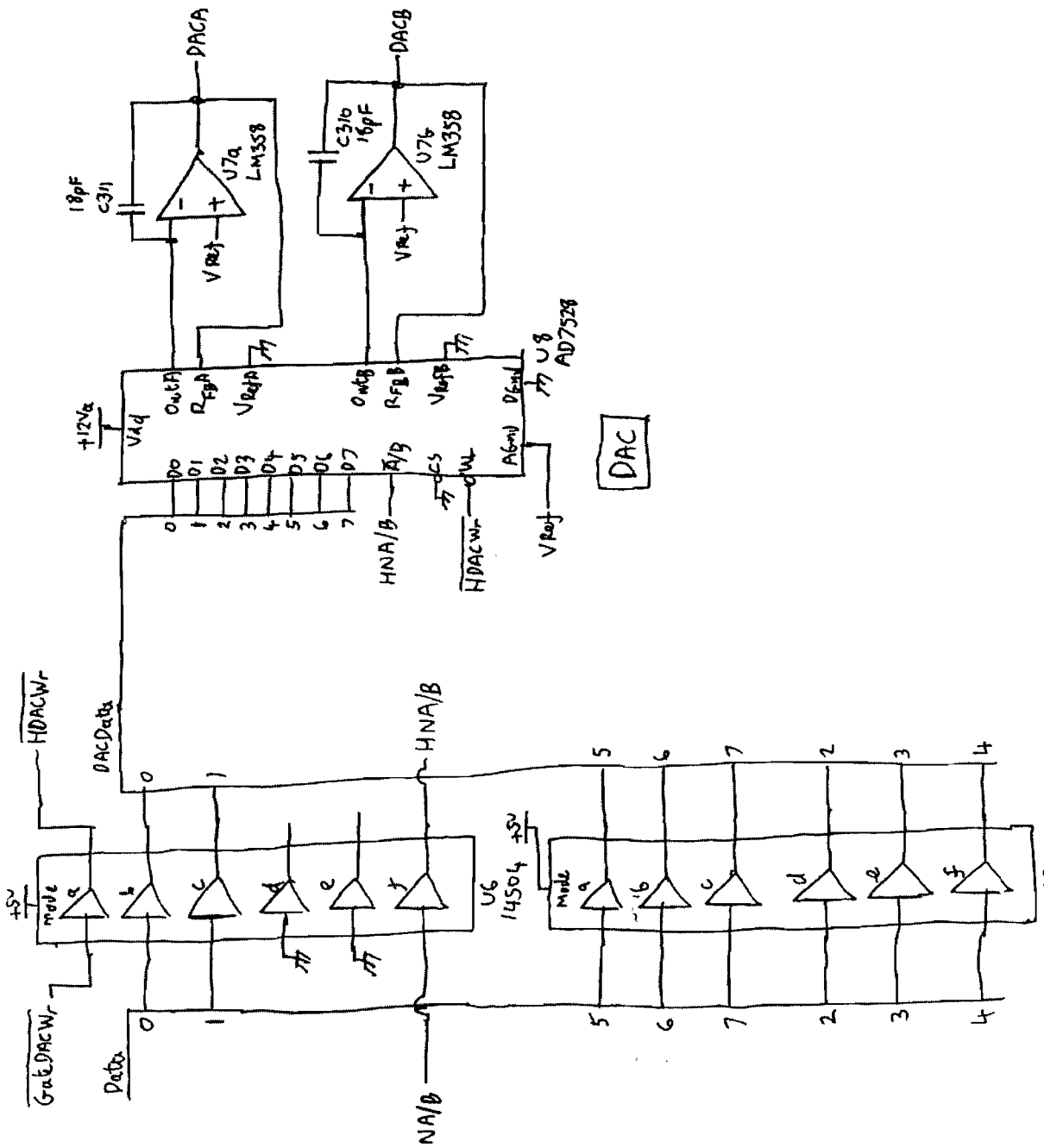
HP Nighthawk Control PCB Layout

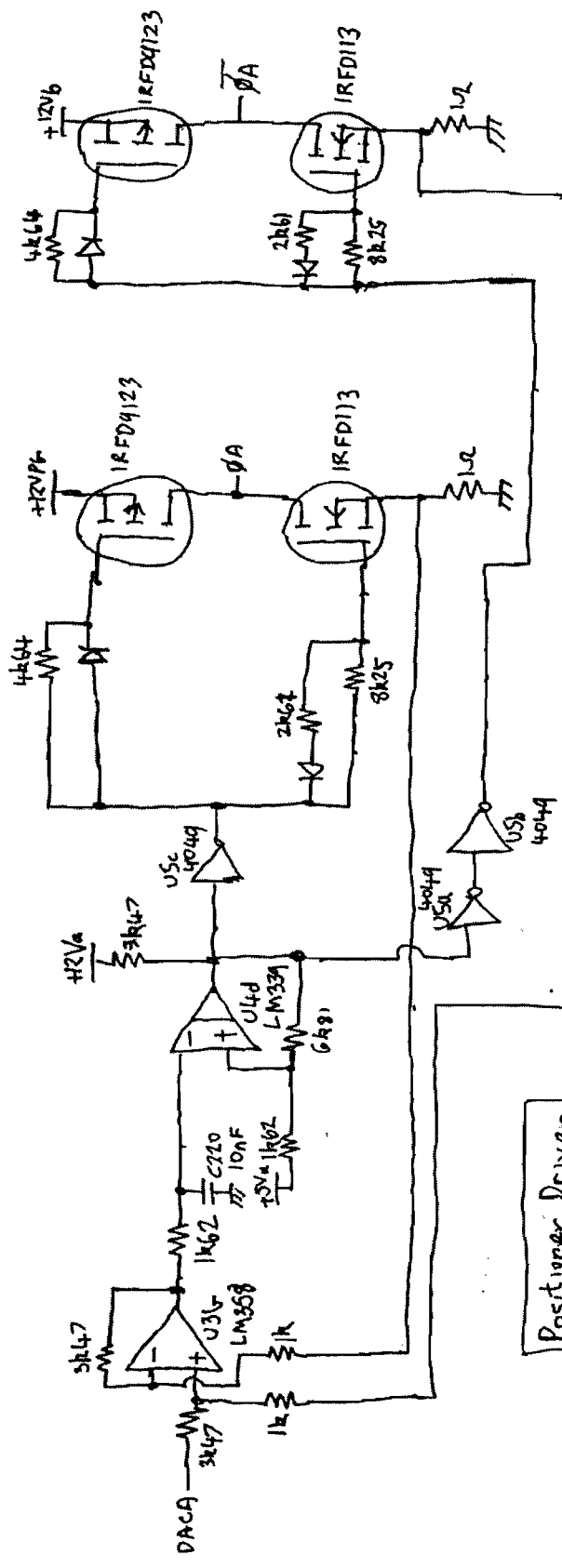


HP Nighthawk Disk Drive Control PCB Sheet (1)

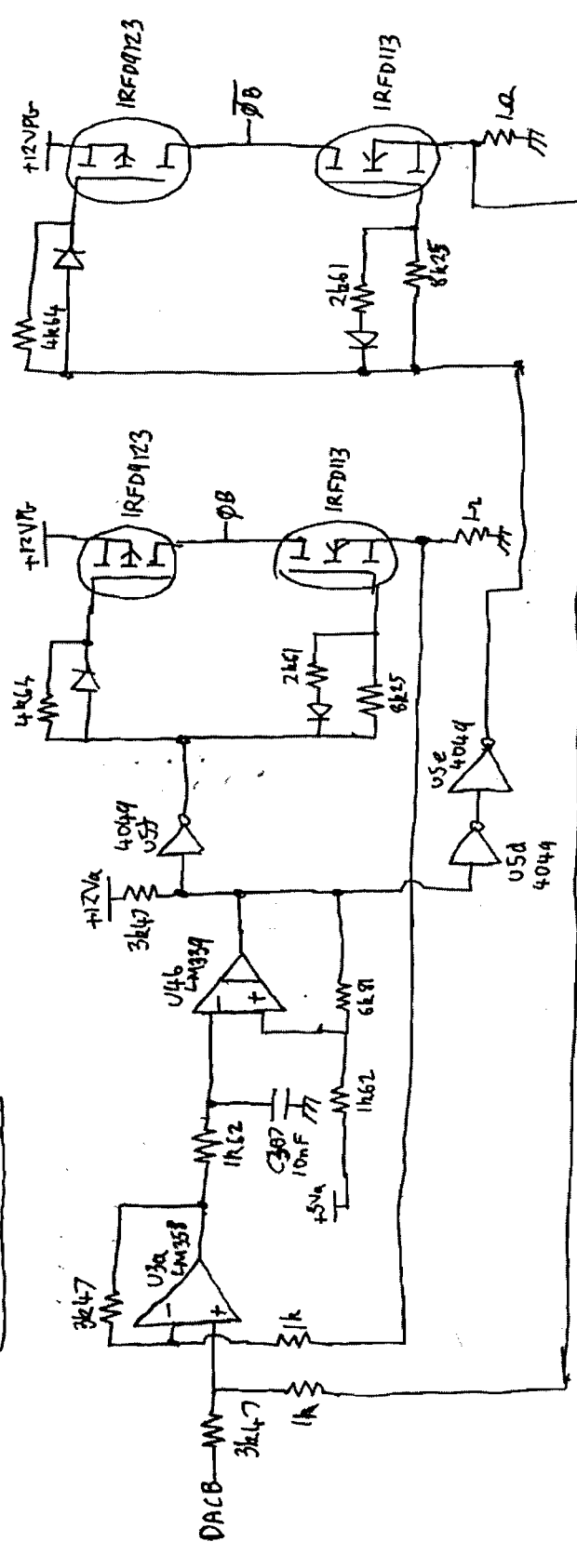


HP Nighthawk Disk Drive Control PCB Sheet ②

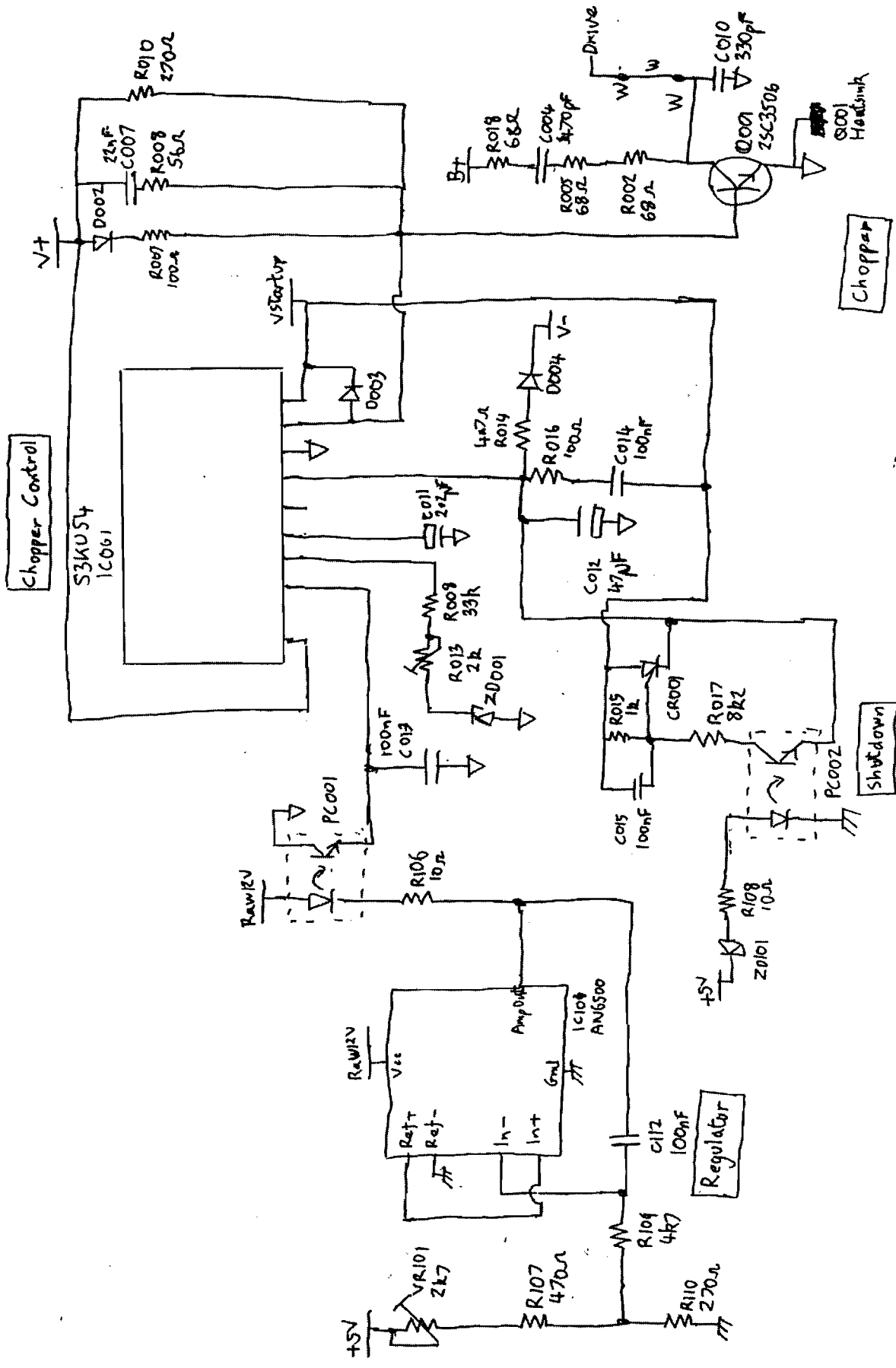


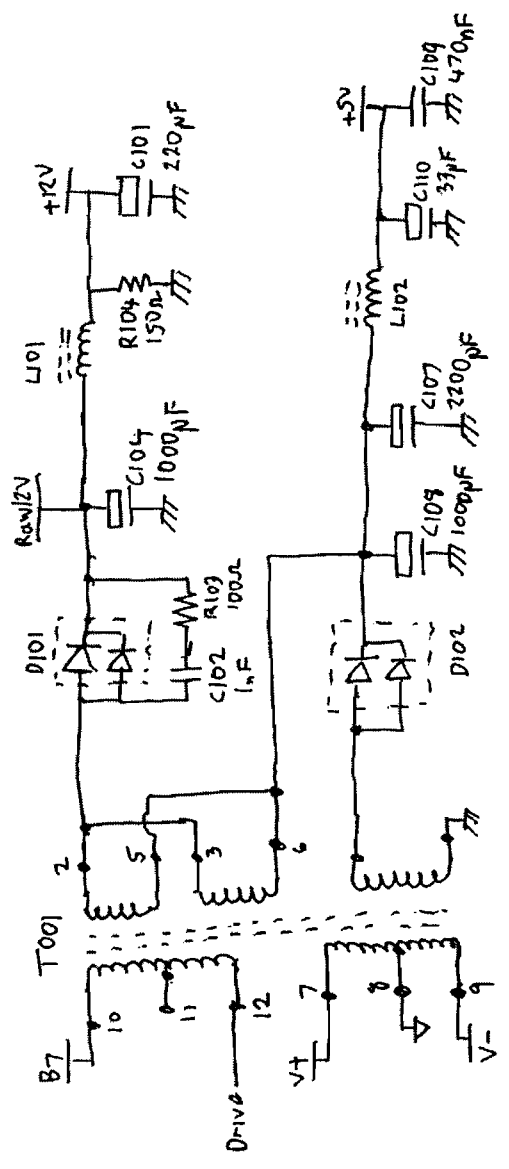


Positioner Driver

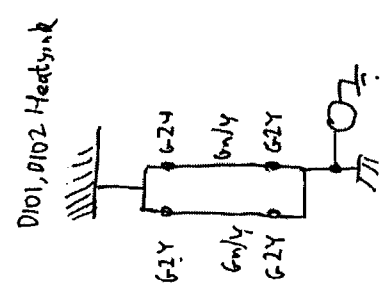


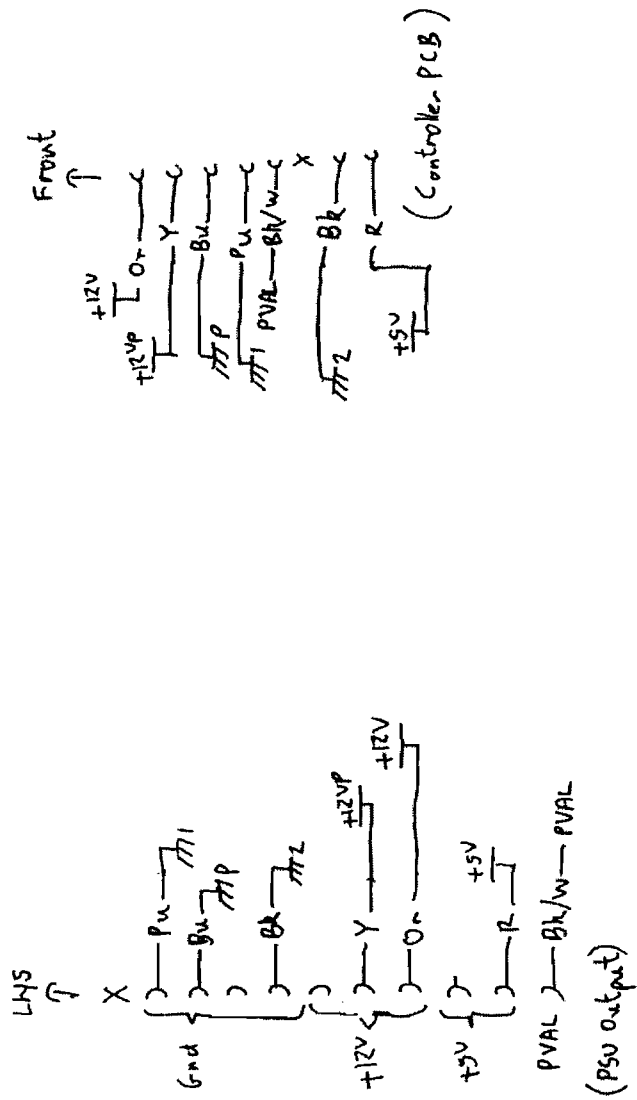
HP Nighthawk Disk Drive Control PCB Sheet(4)





Chopper Transformer





HP9154 Power Cable

