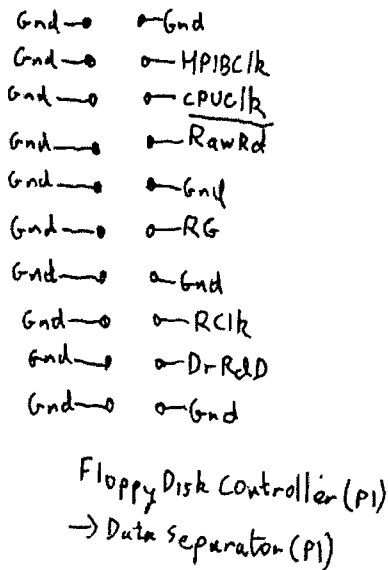
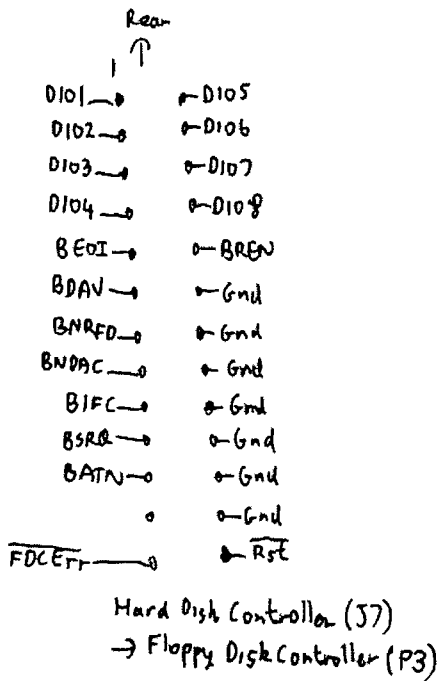
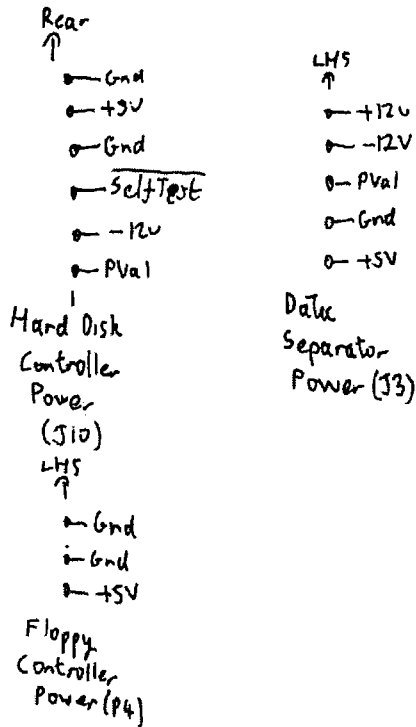
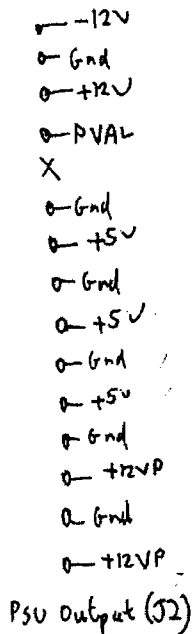
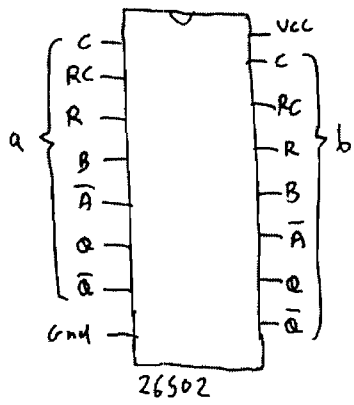


HP9133V /XV Connection Diagram

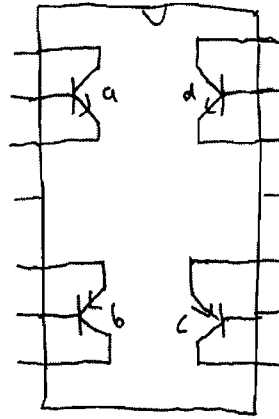
HP9133V/XV



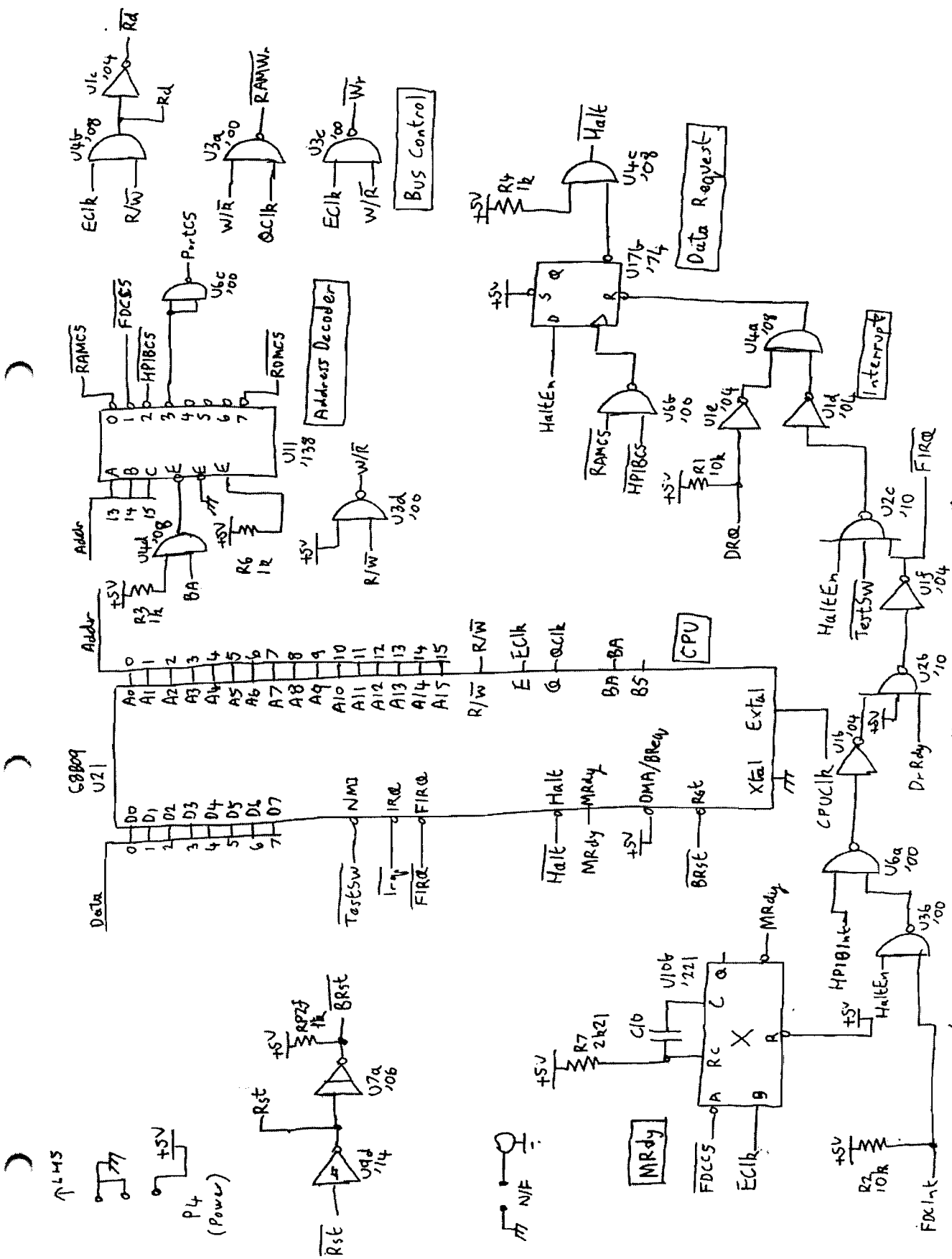
HP9133 V/xV

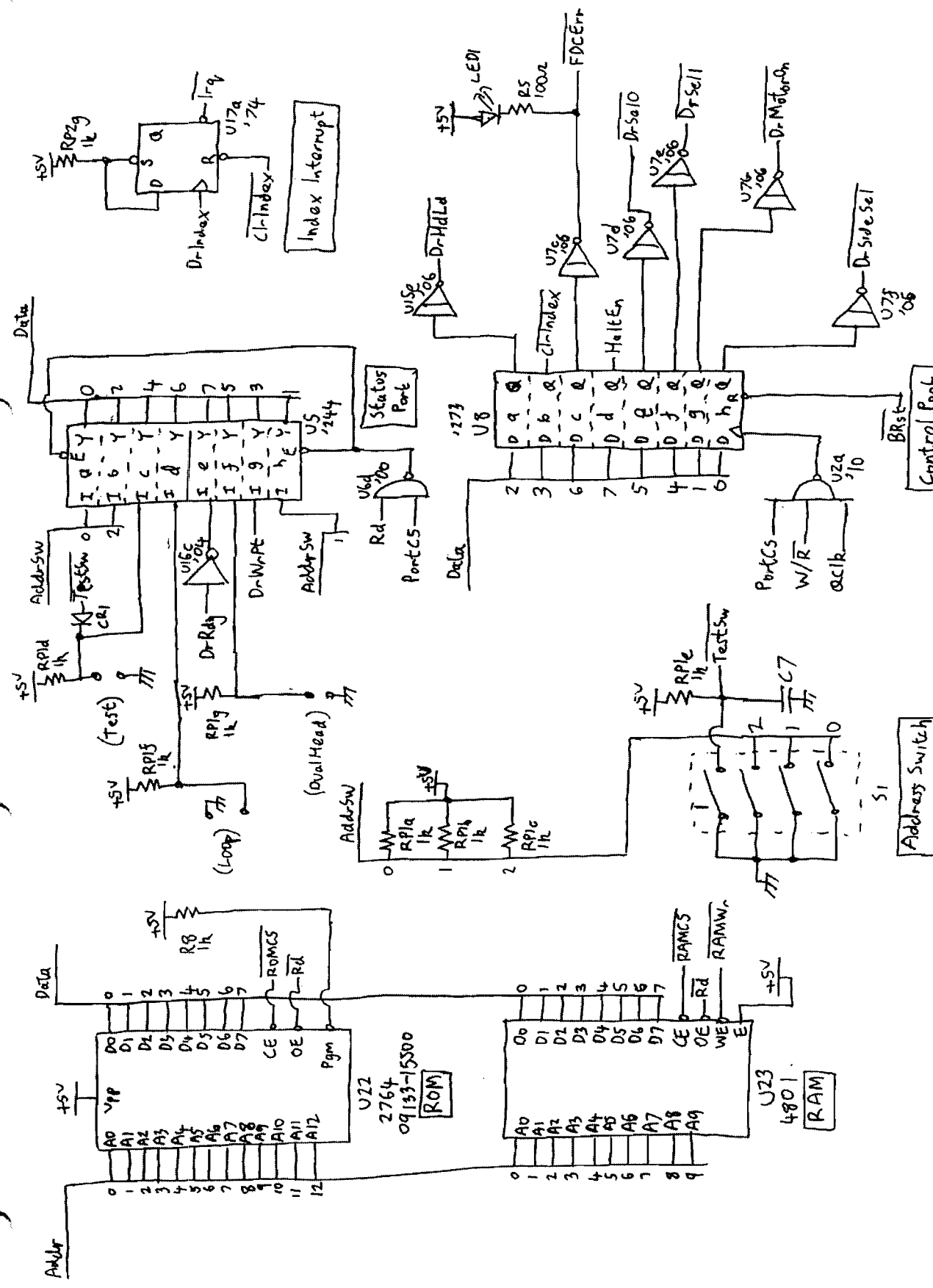


26502
Dual Retriggerable
Monostable

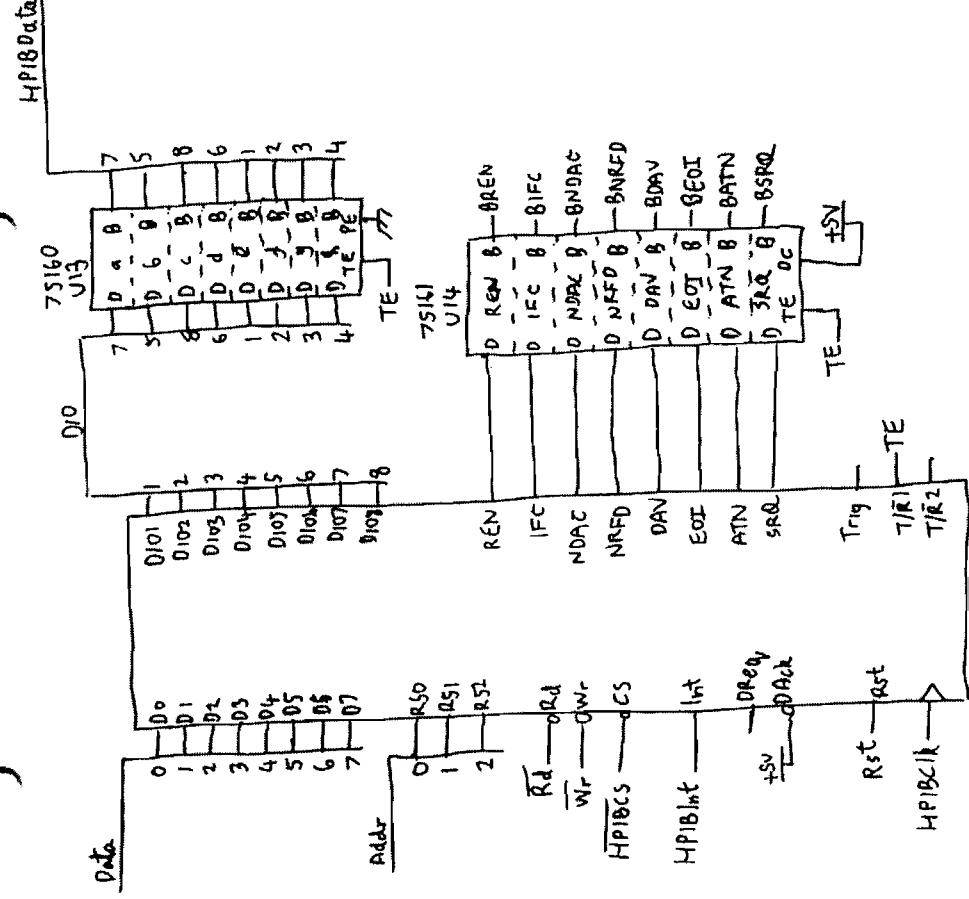
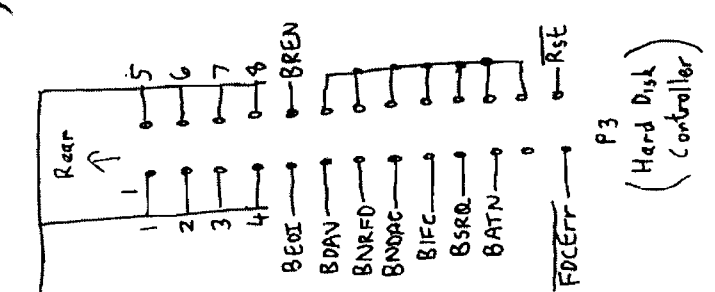
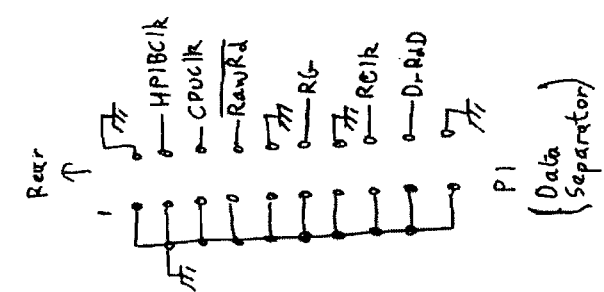


MPQ6700
NPN ~ 2N3904
PNP ~ 2N3906

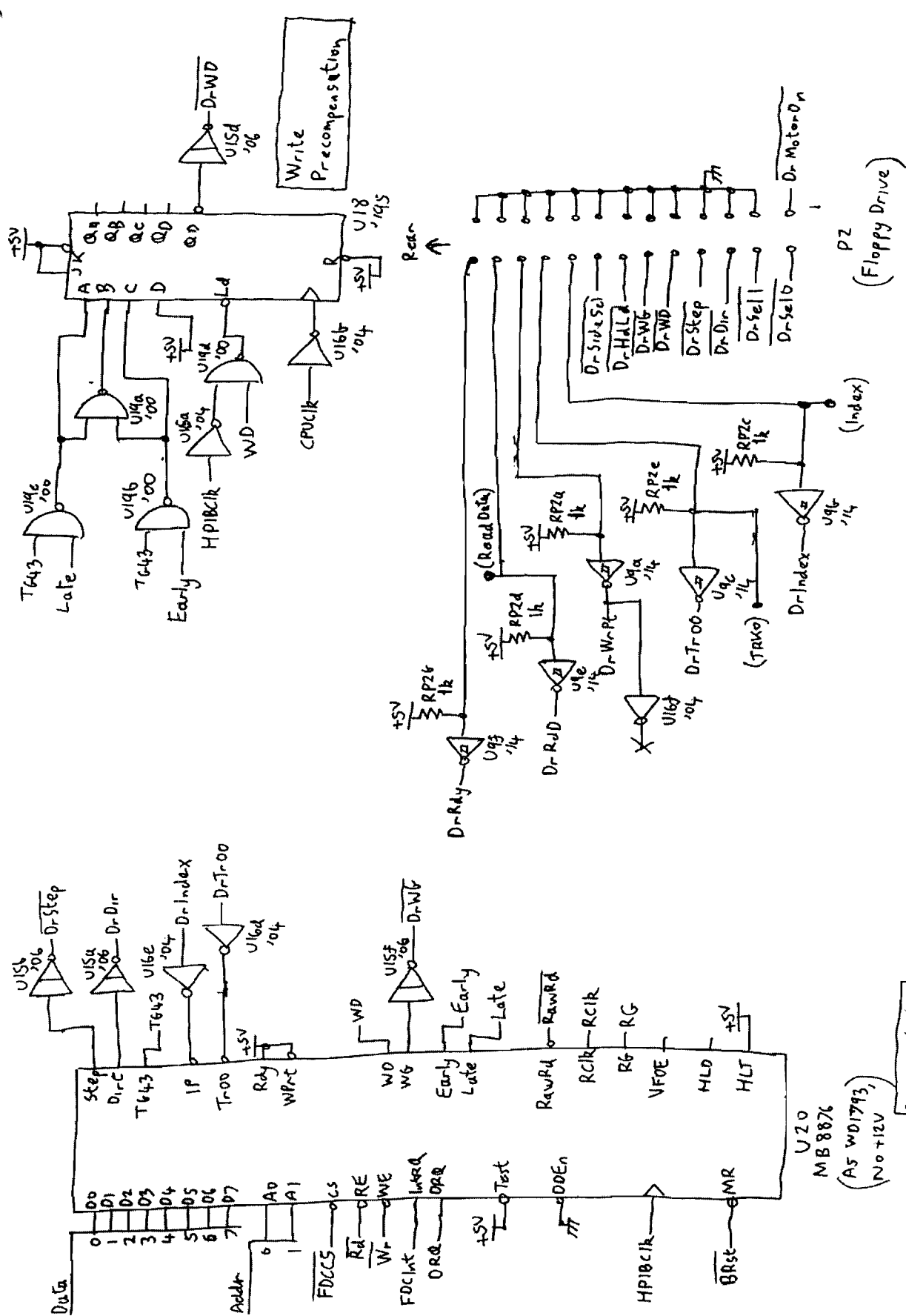




HP9133V/XV Floppy Disk Controller PCB Sheet 2 09133-66506



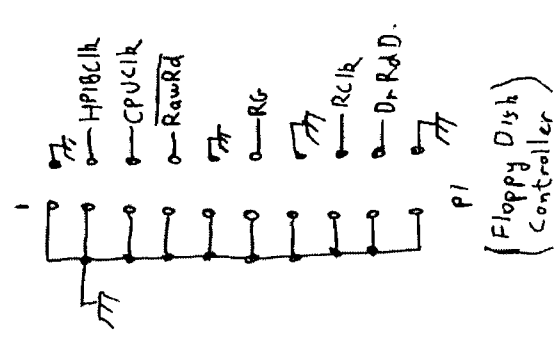
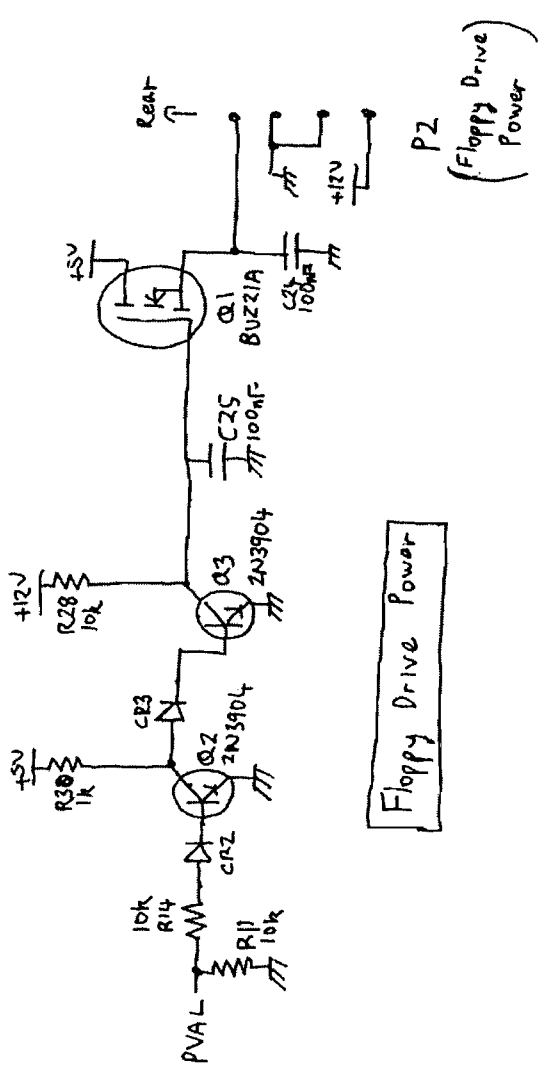
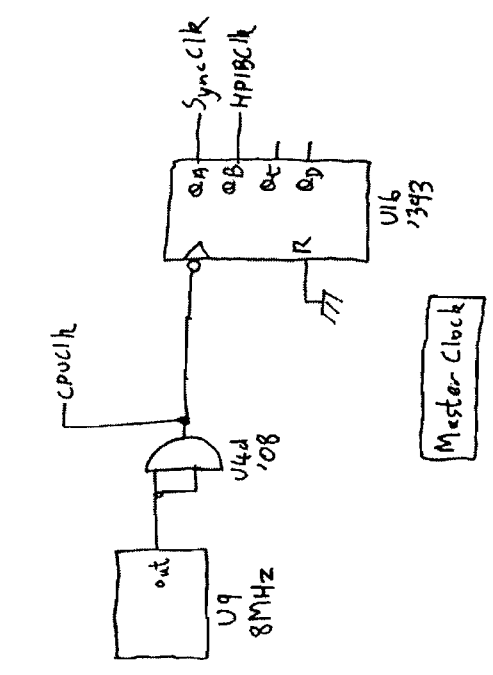
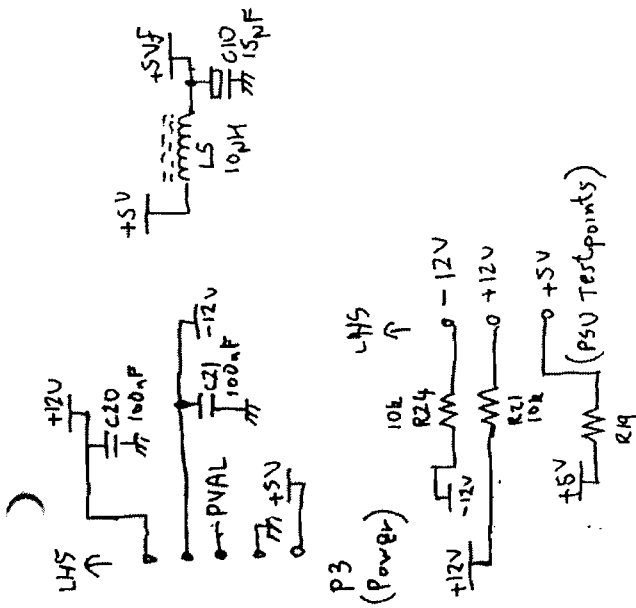
HPiB Interface

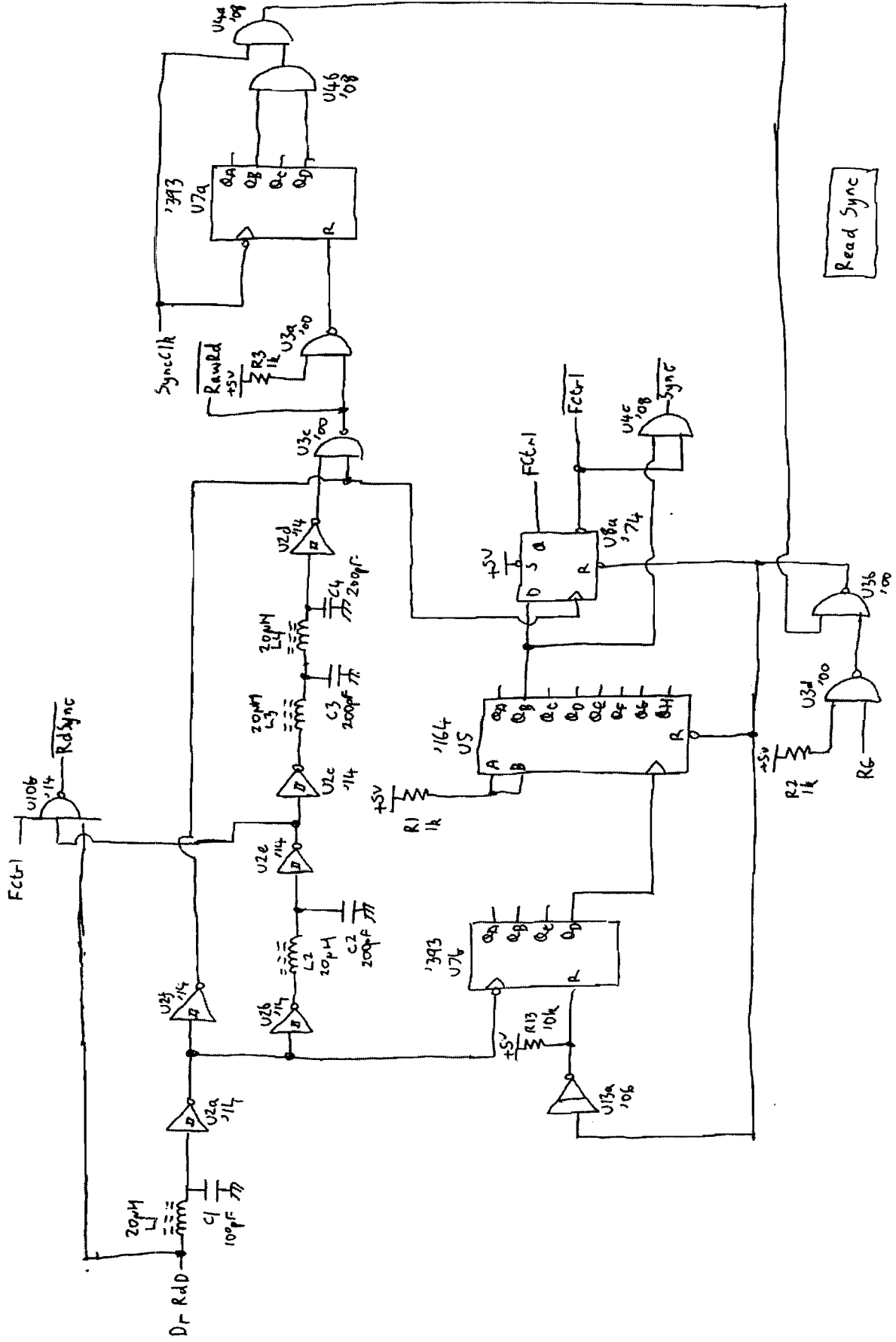


Disk Controller

U20
MB8876
(As WD1793,
No +12V)

(Floppy Drive)

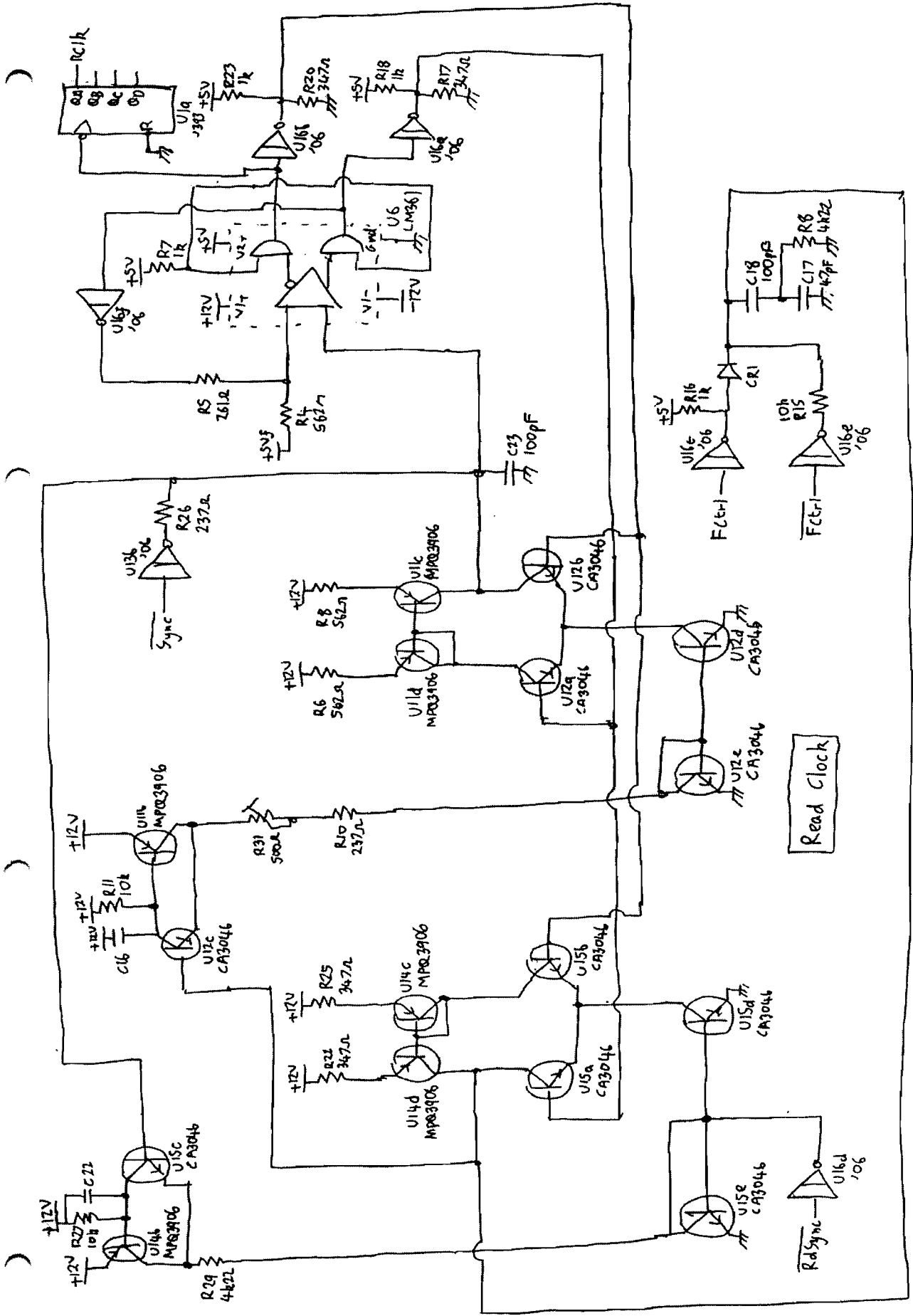


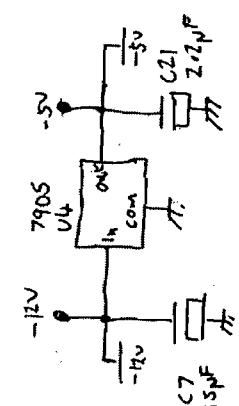
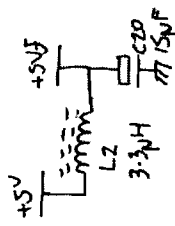
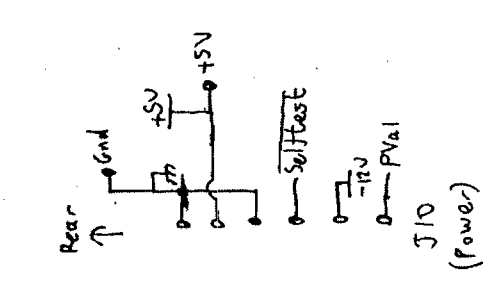
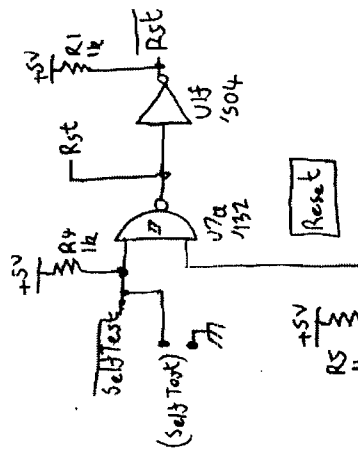
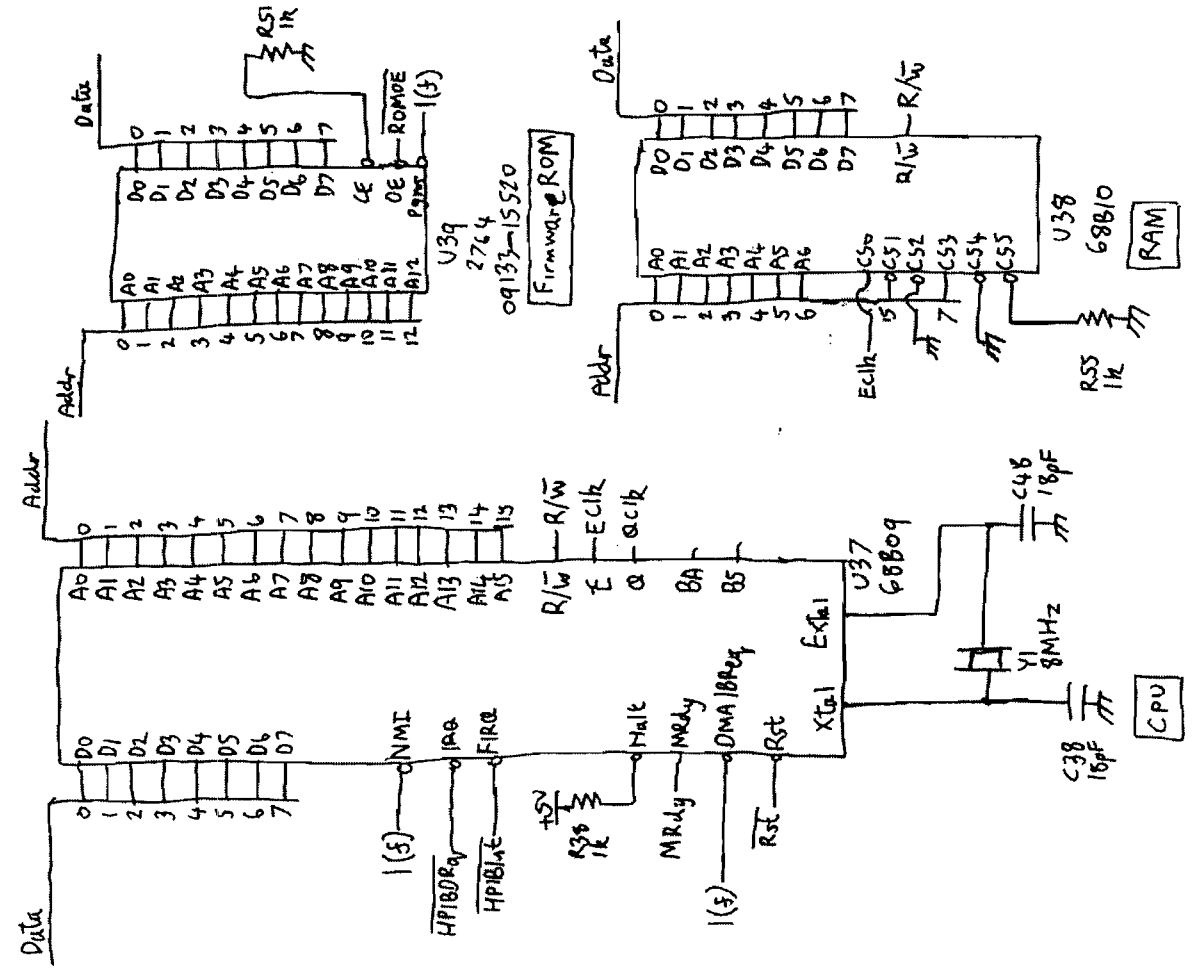


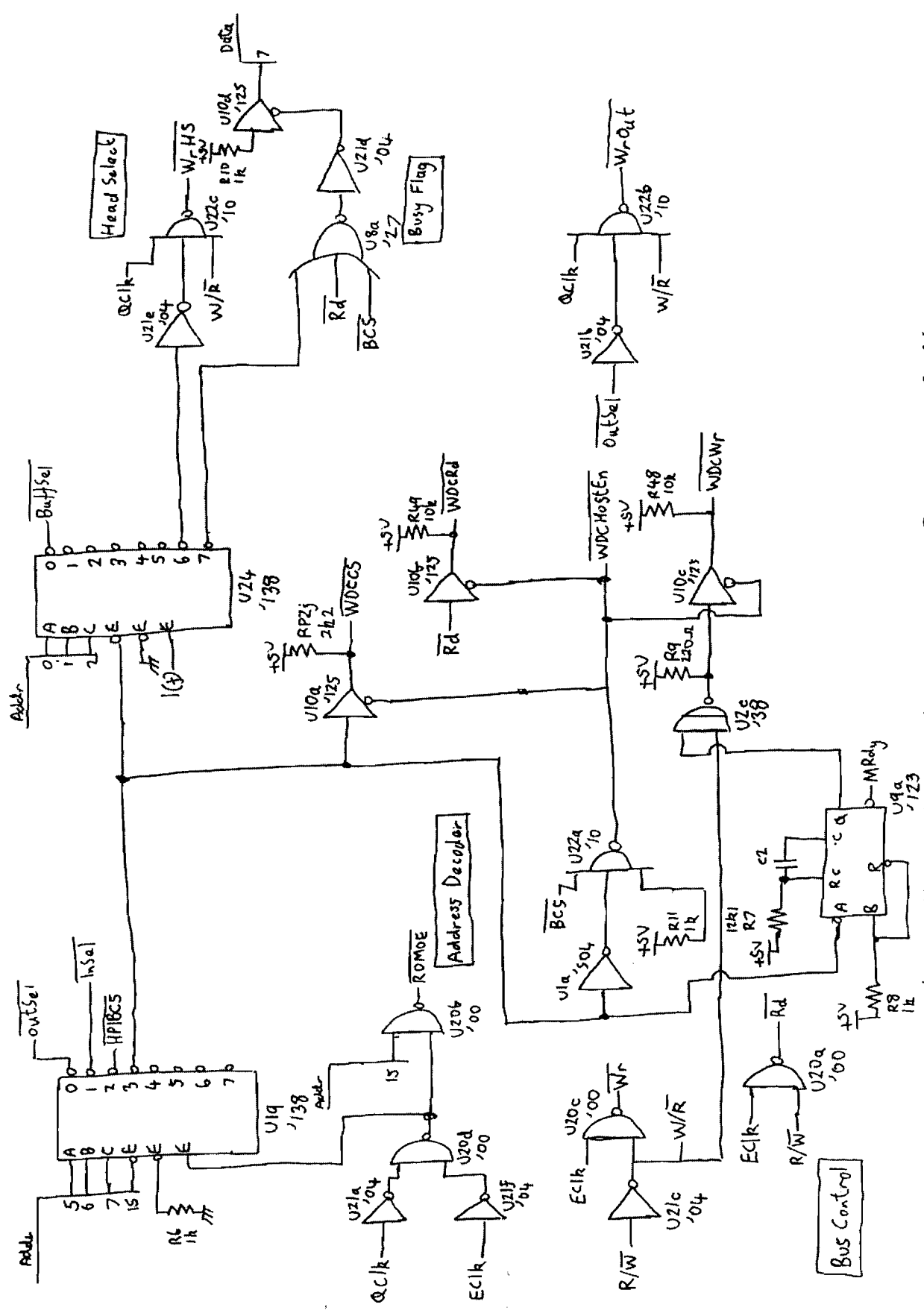
09133-66507

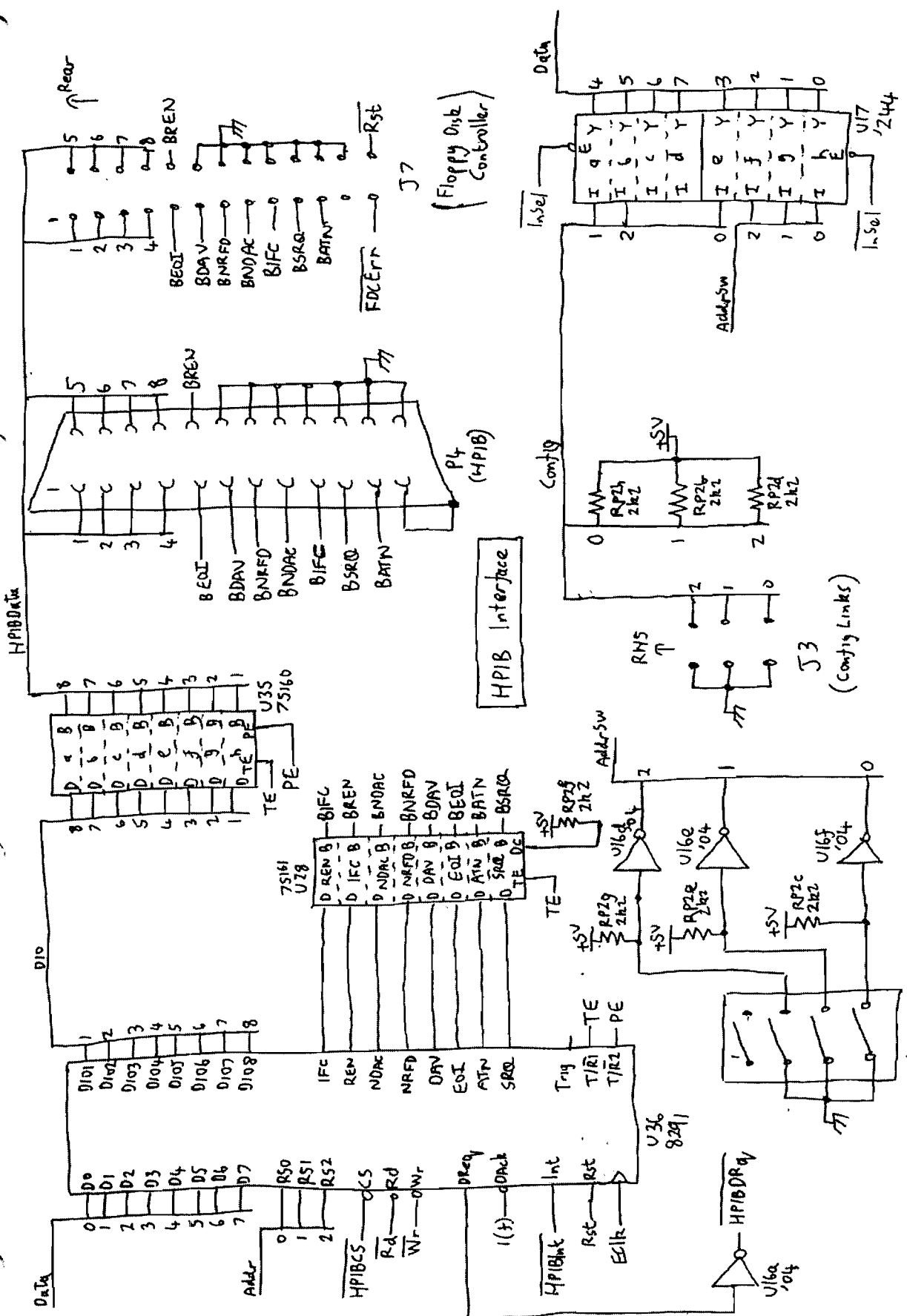
Data Separator PCB Sheet 2

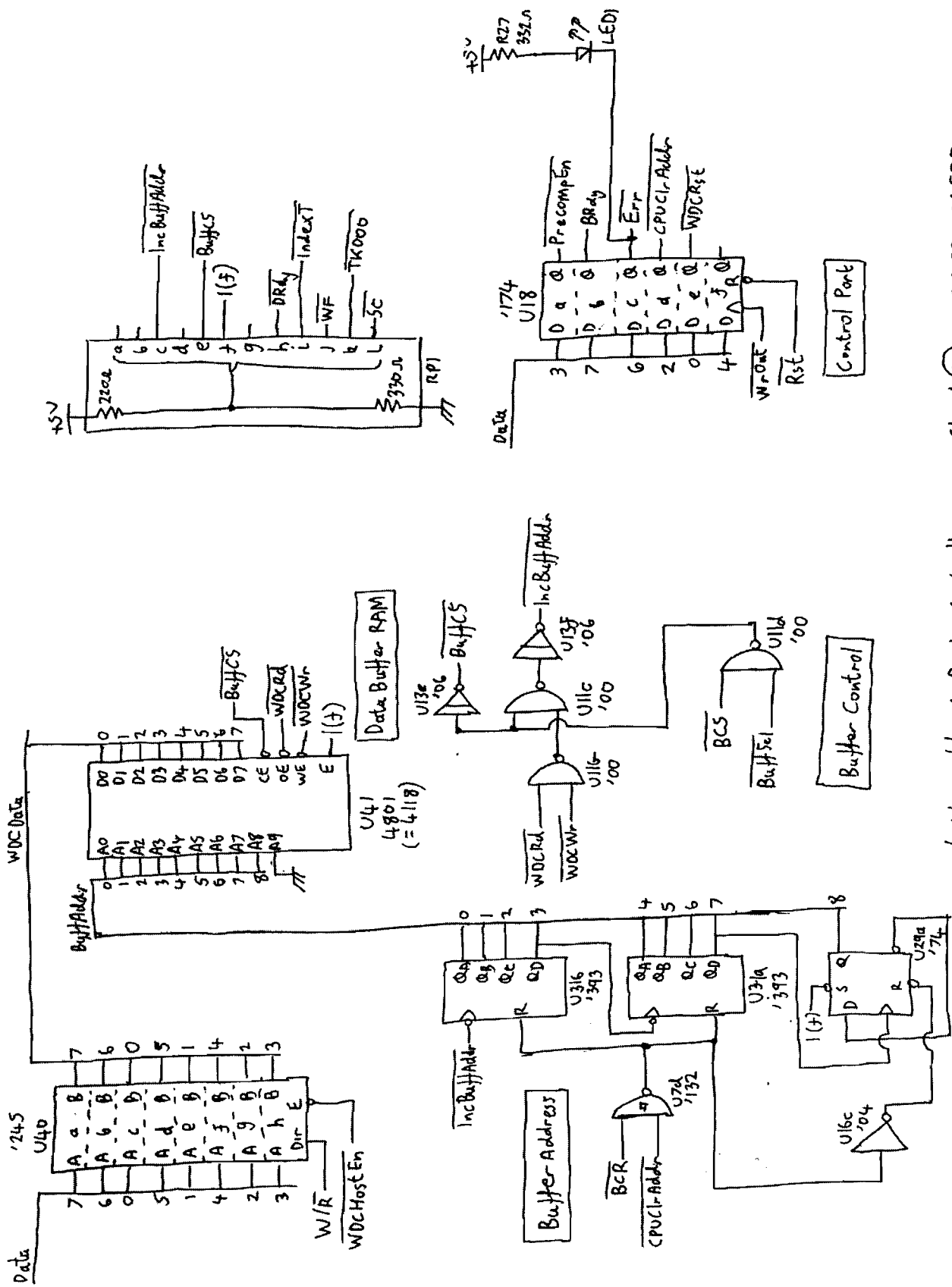
HP9133V/XV

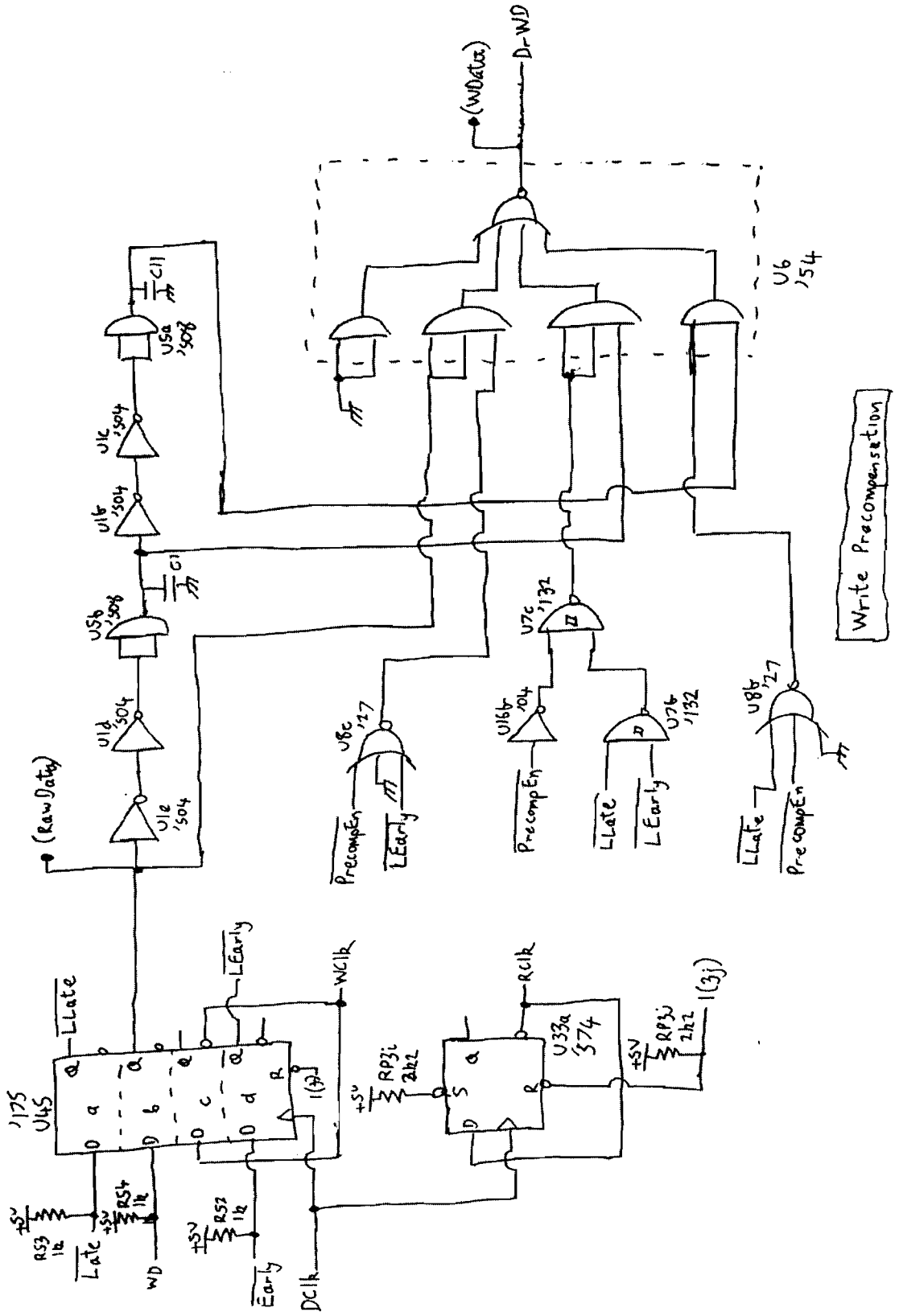


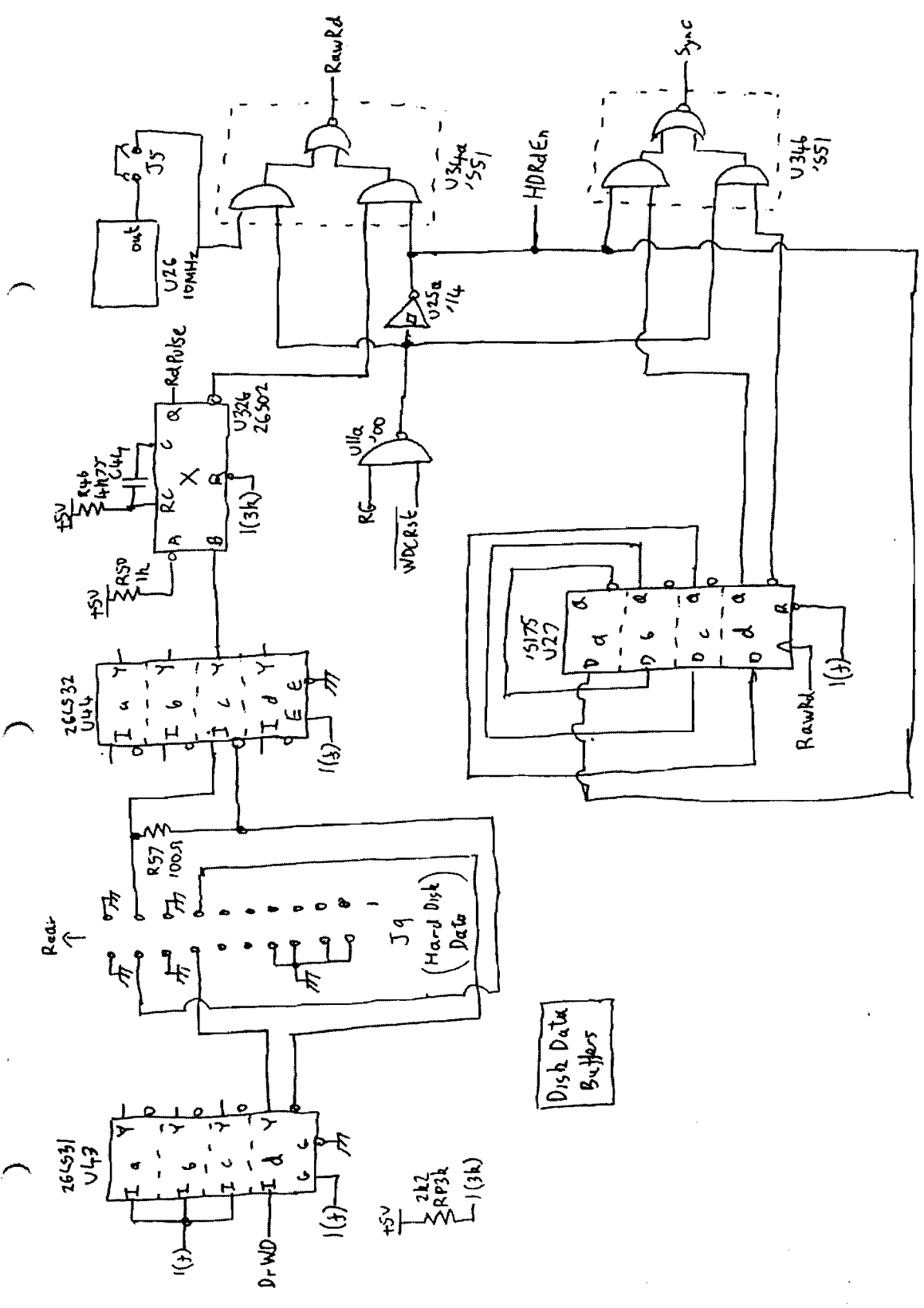


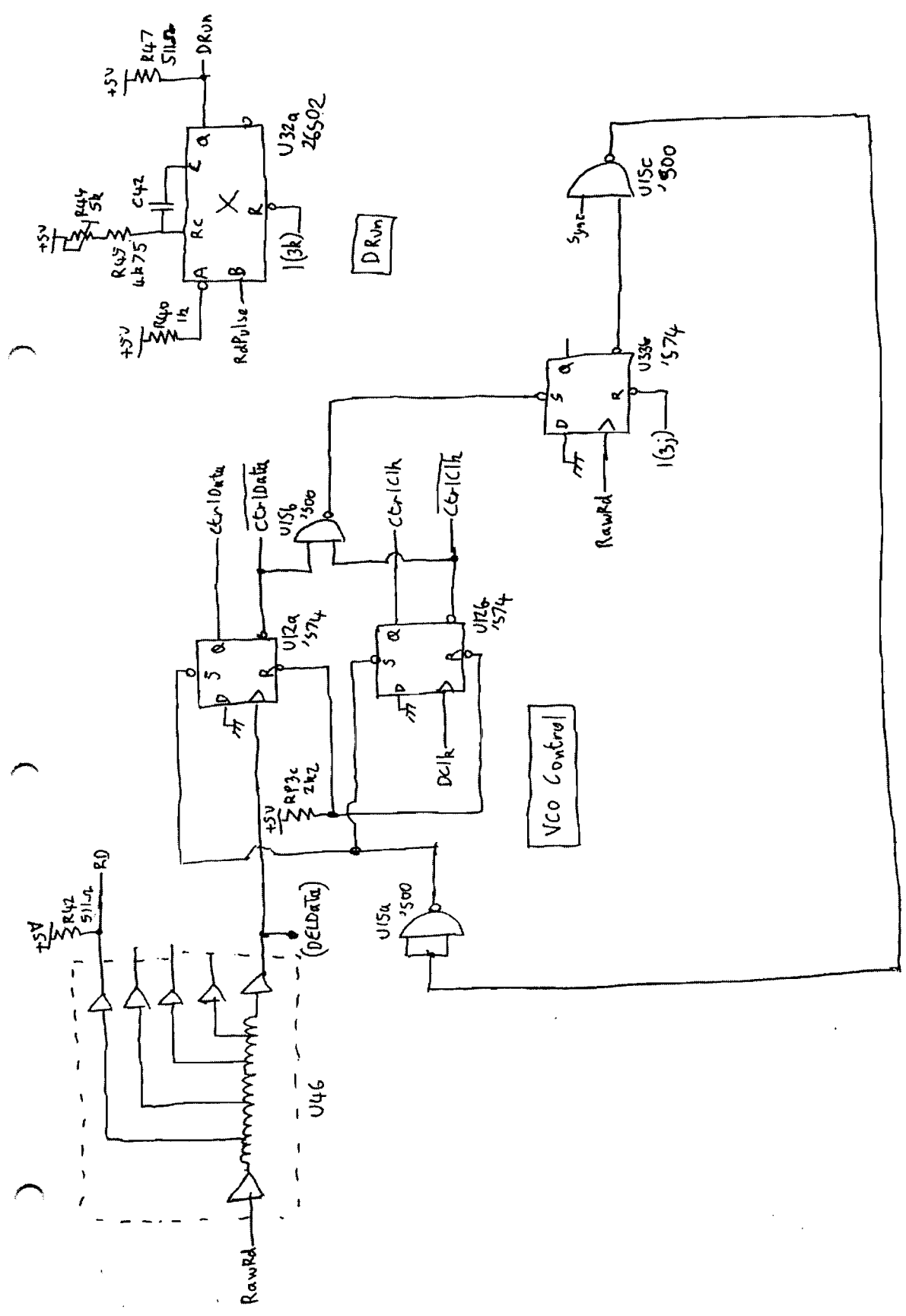


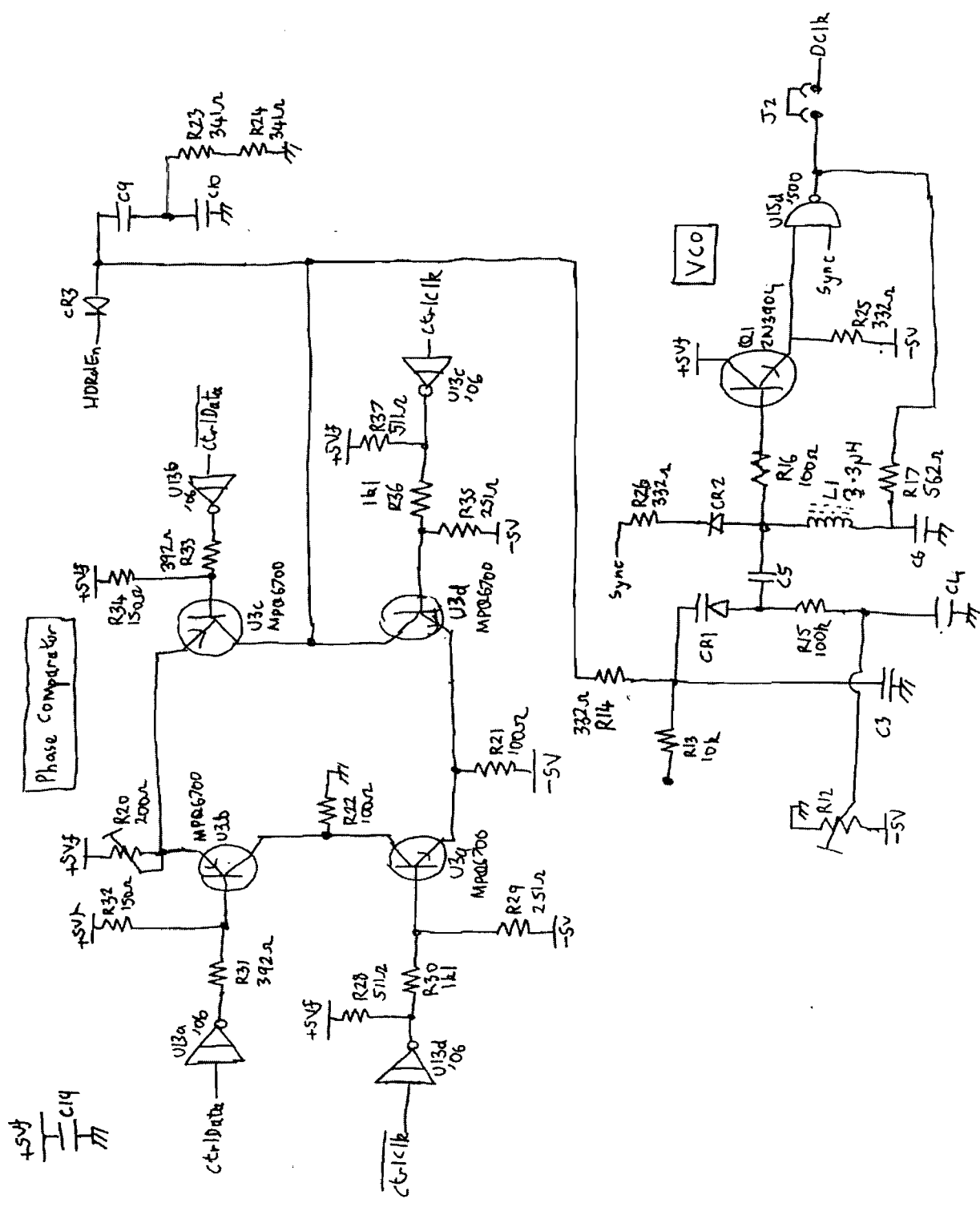


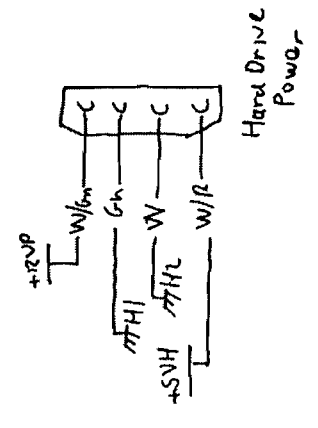
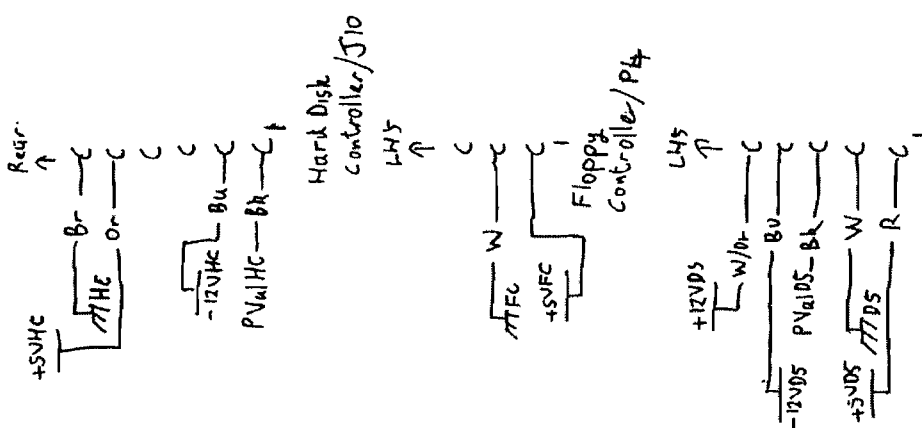
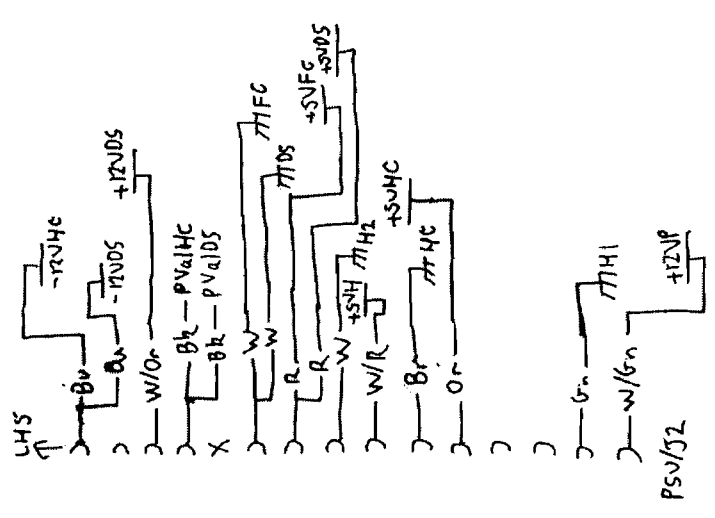




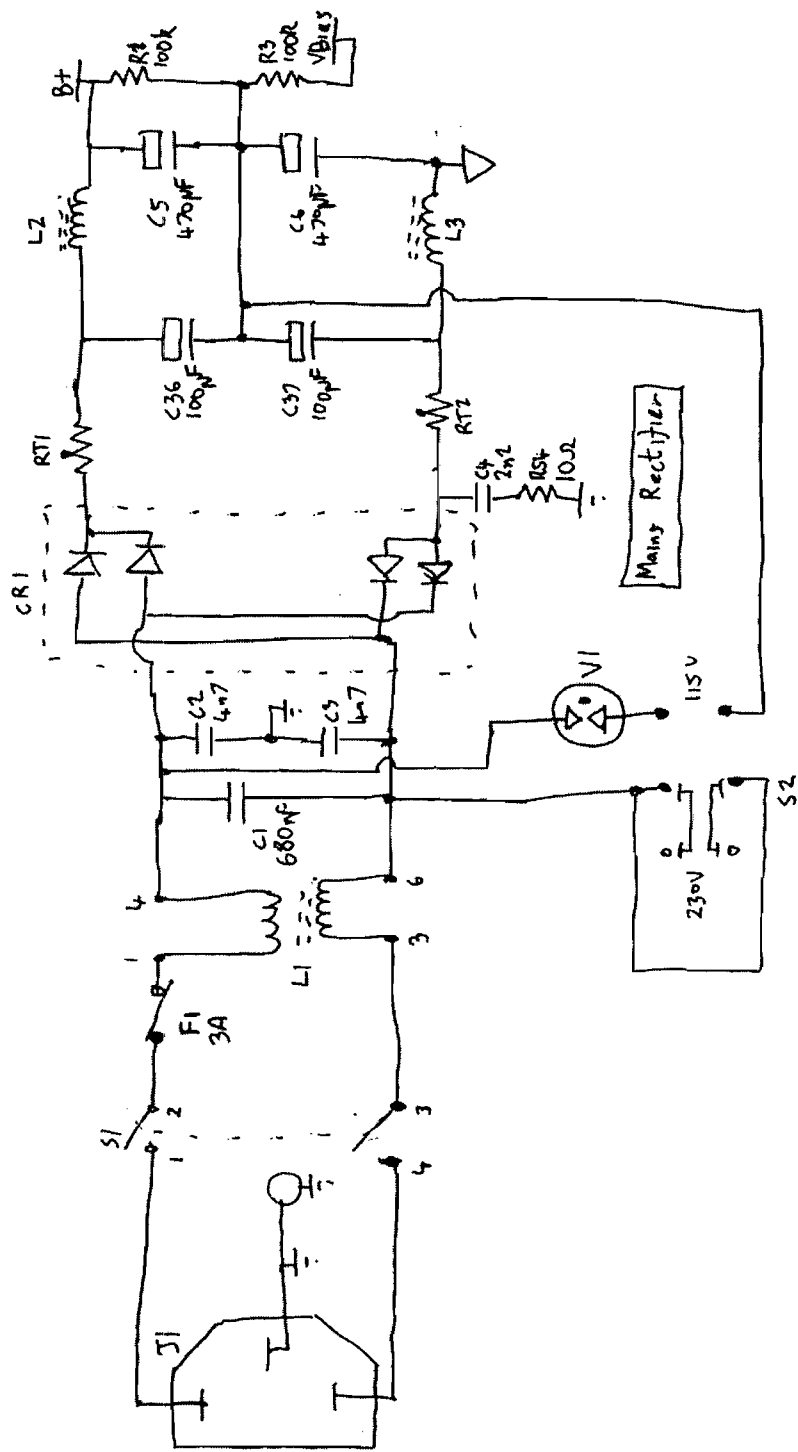




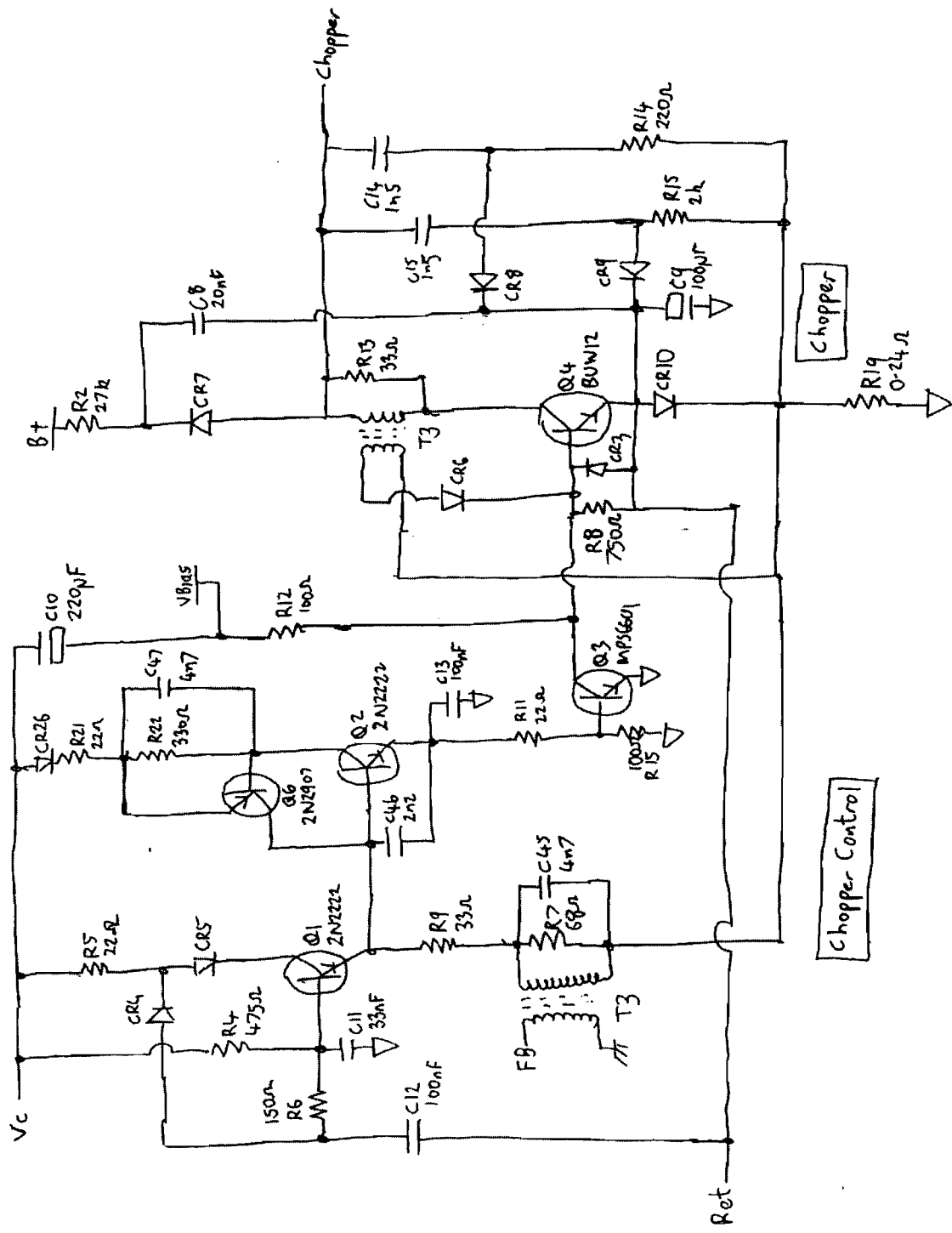


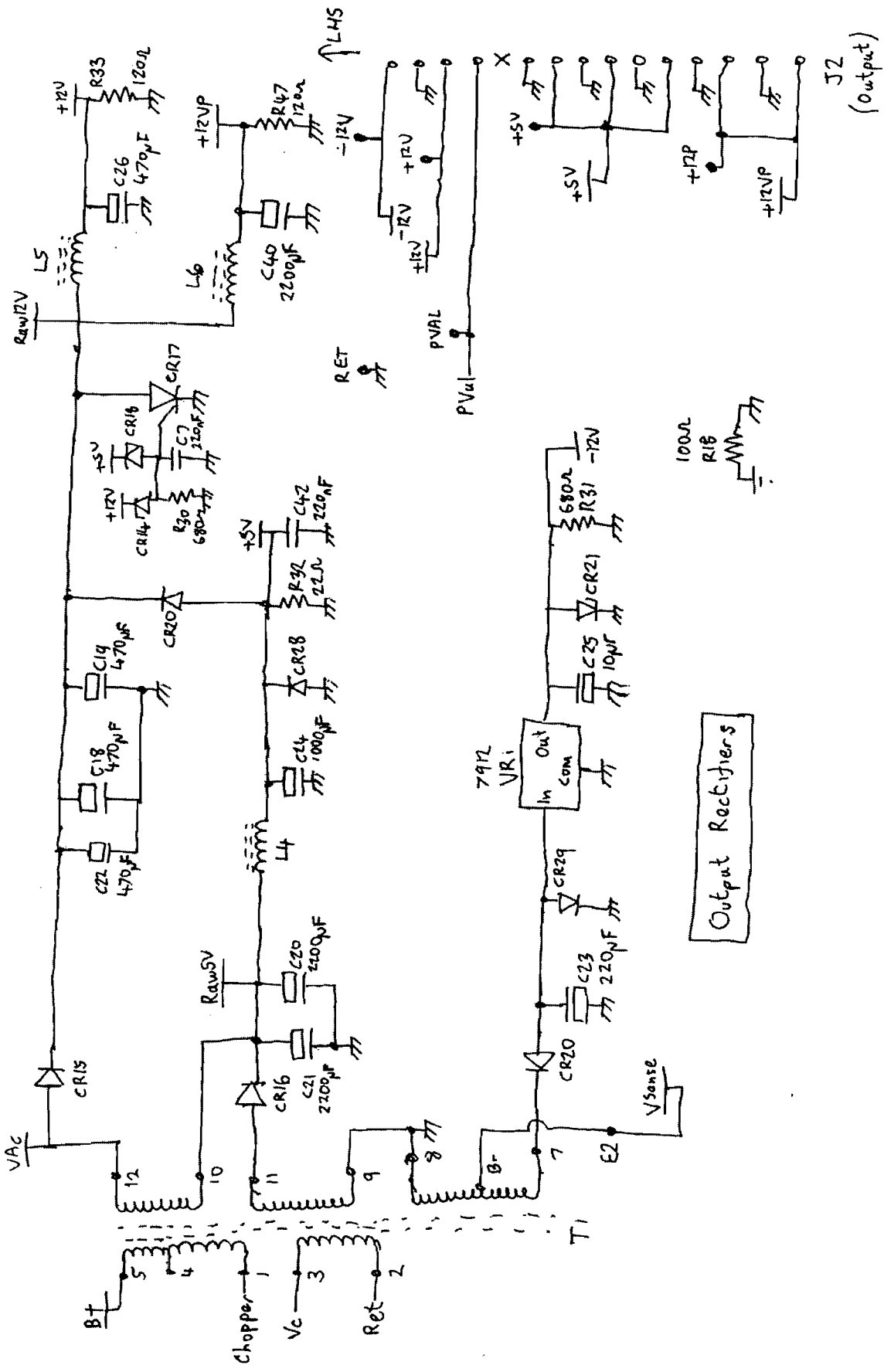


HP9133V/XV Power Cable

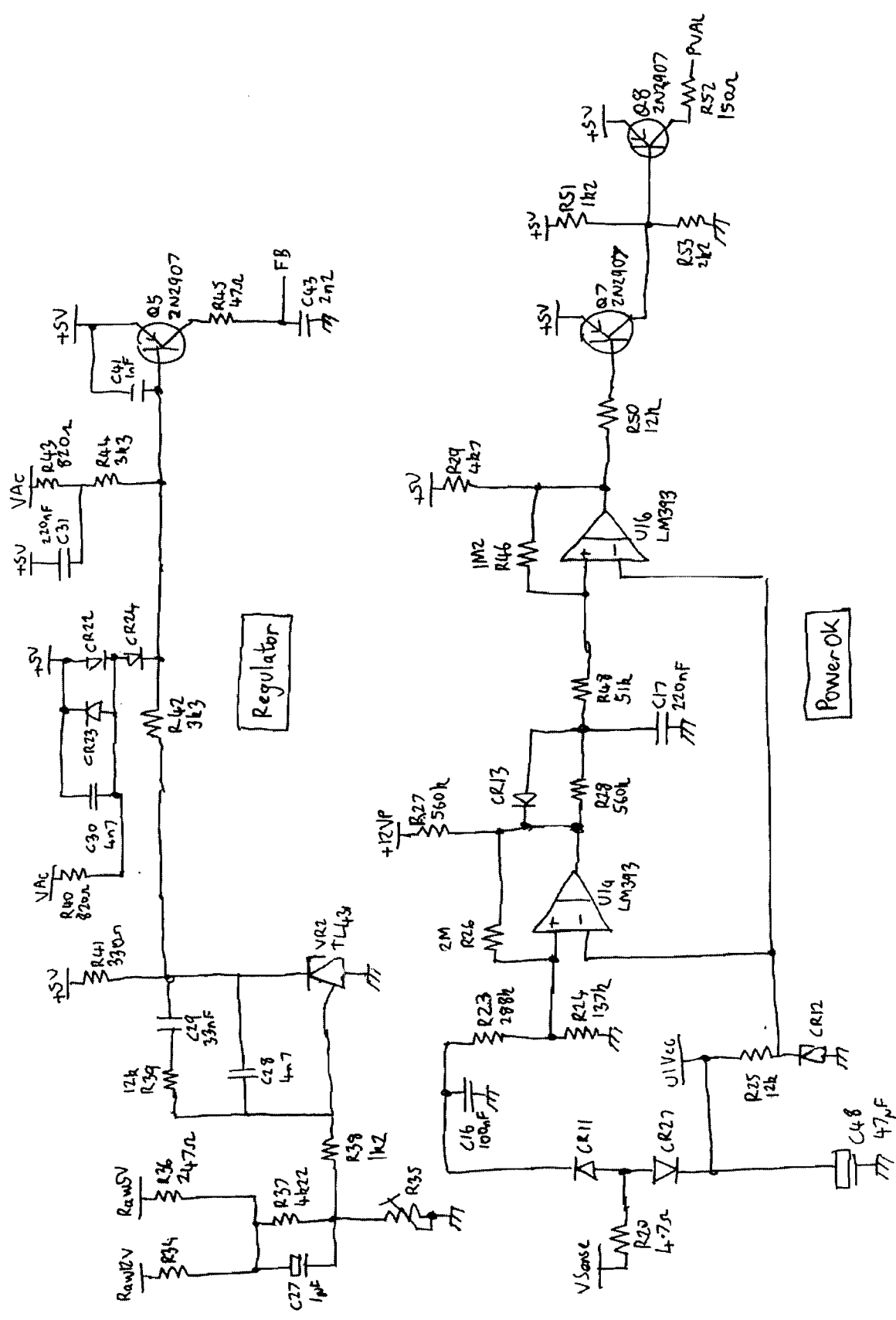


HP9133V/xv PSU PCB Sheet 1 Boschert XL81-3604

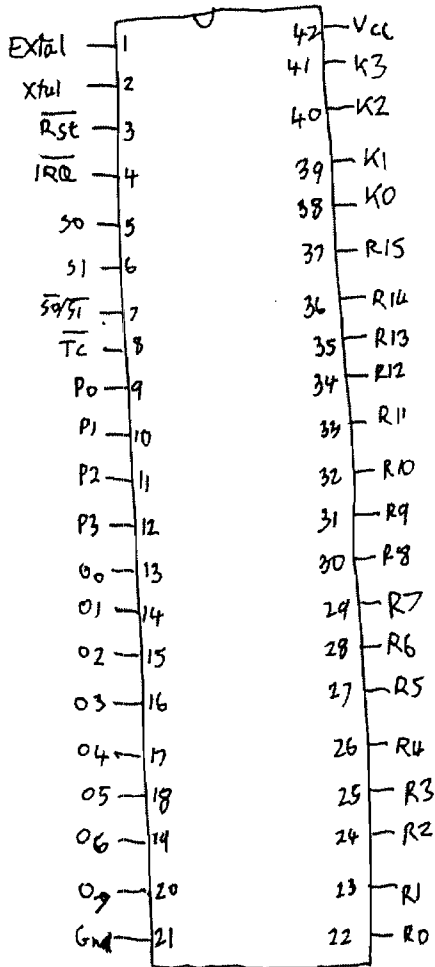




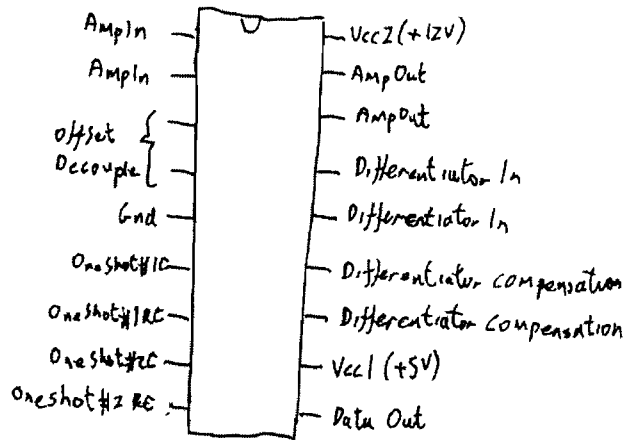
HP9135V/XV PSU PCB Sheet 3 Boschert XL81-3604



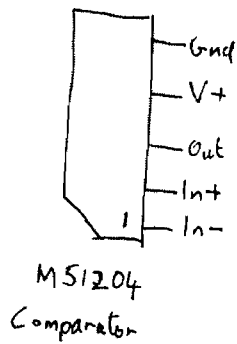
FC6 PCB



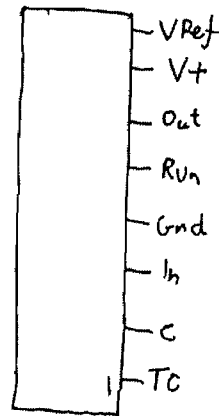
MB8843
4-bit Microcontroller



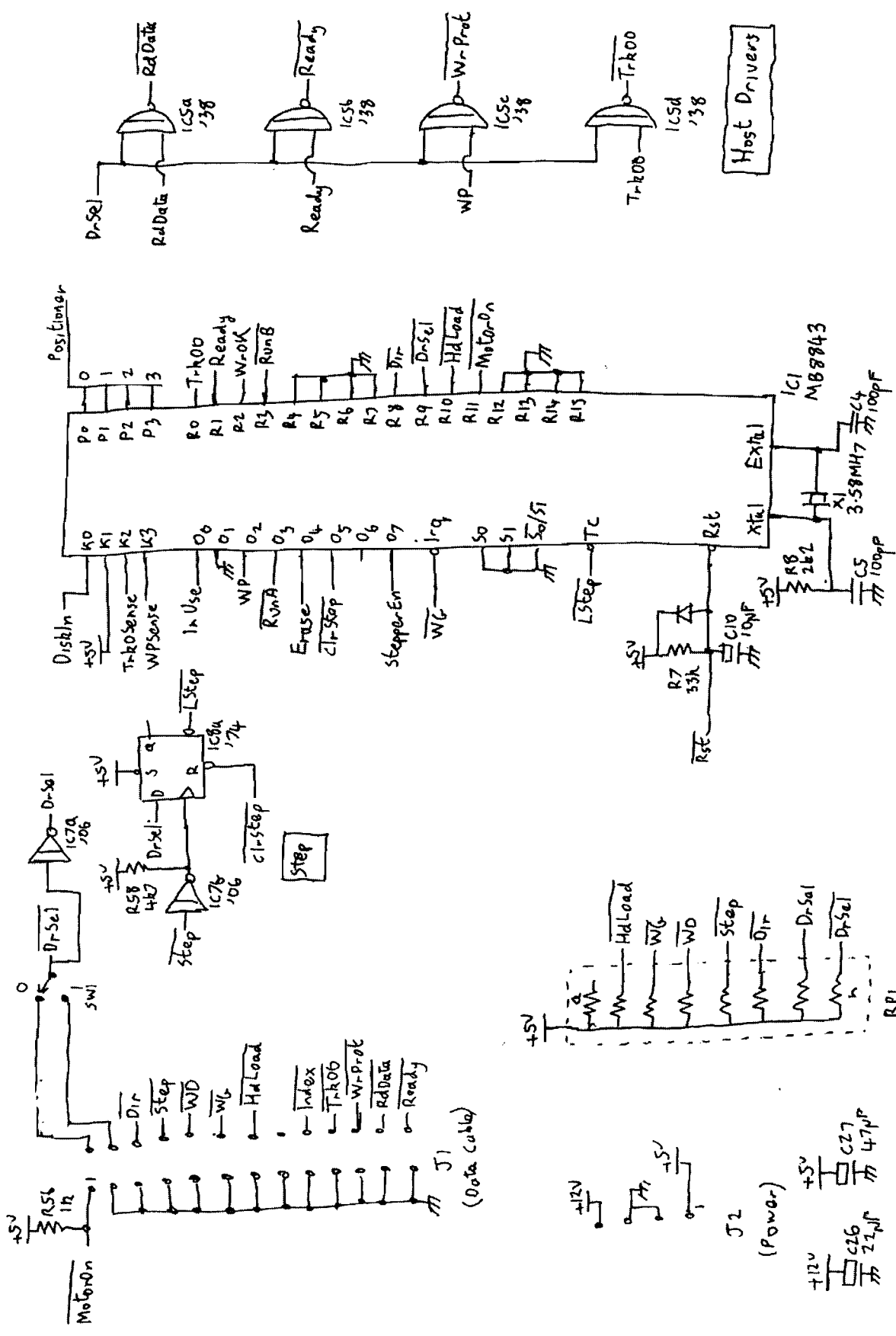
MC3470
Disk Read
Chain



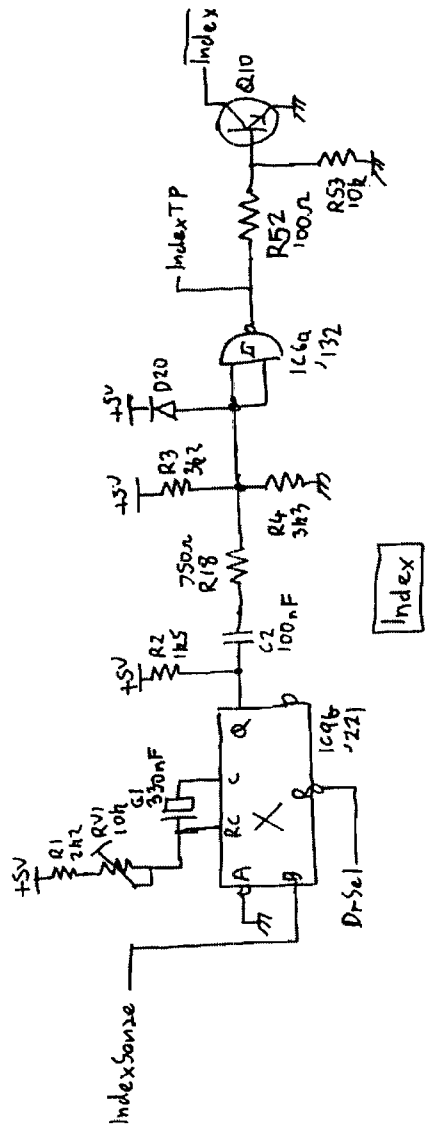
MS1204
Comparator



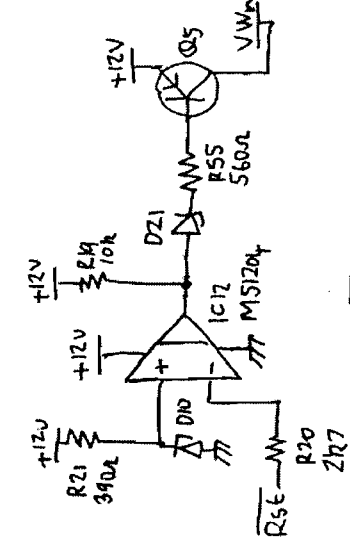
CX-069
Motor Controller



Sony Single-Head Disk Drive Sheet 1 FC-6 PCB

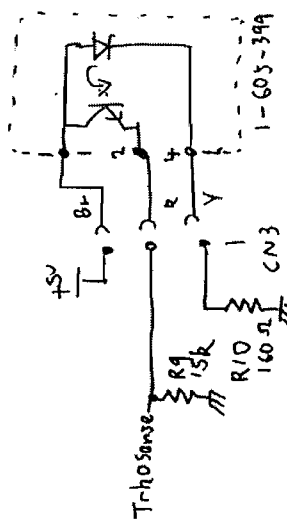
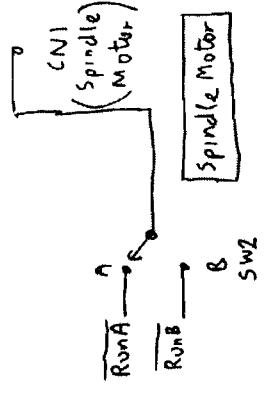
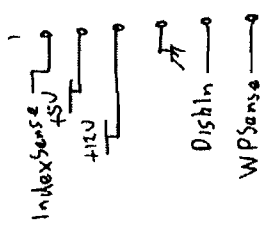
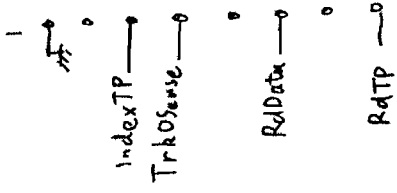


Index

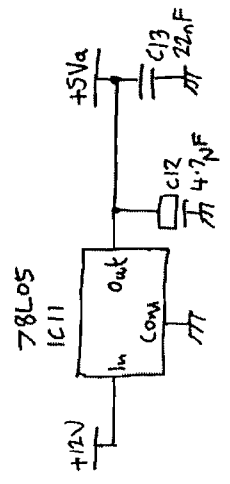


Power OK

(Test Points)
CN7



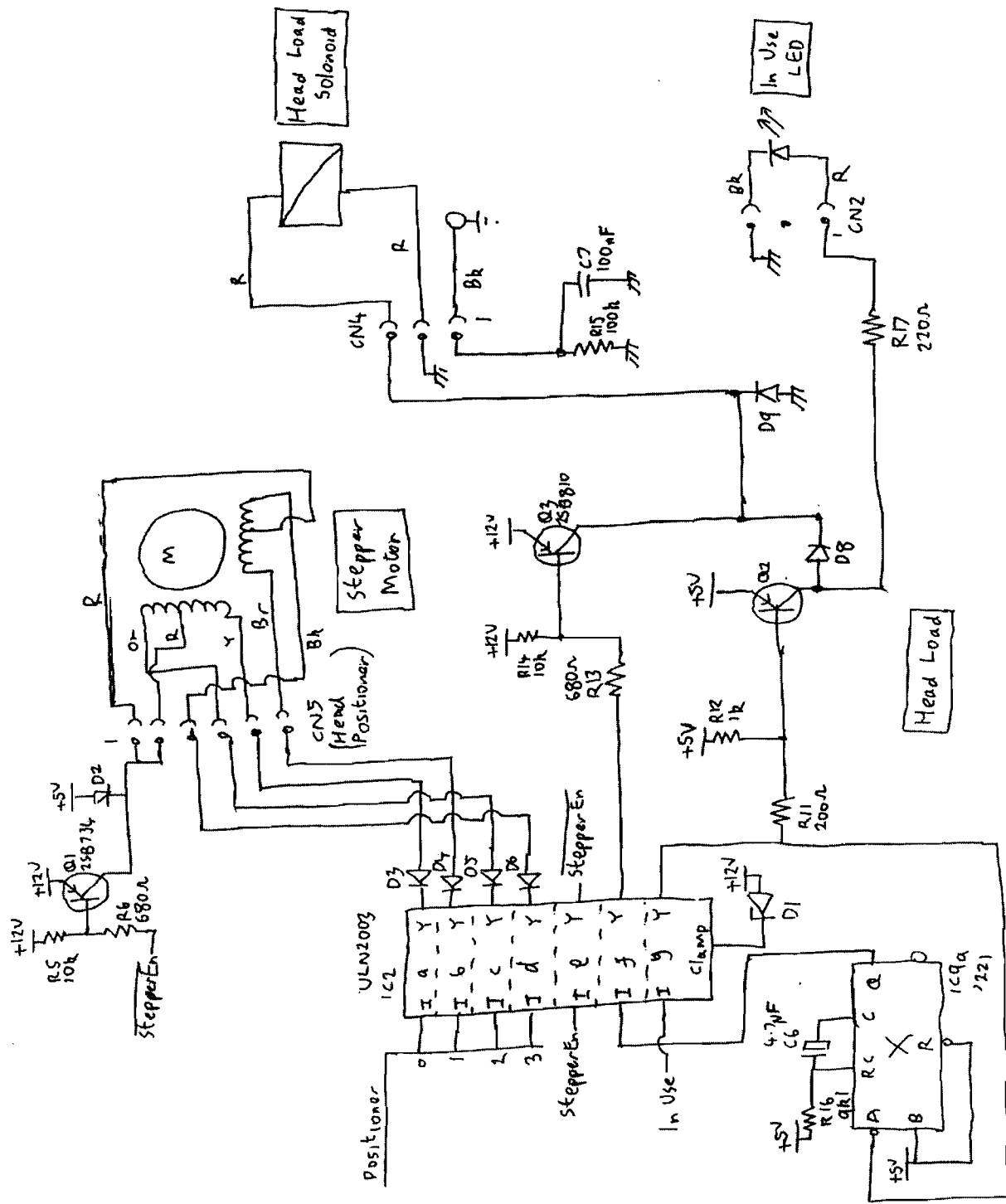
Trach 0 Sensor



Read Supplies

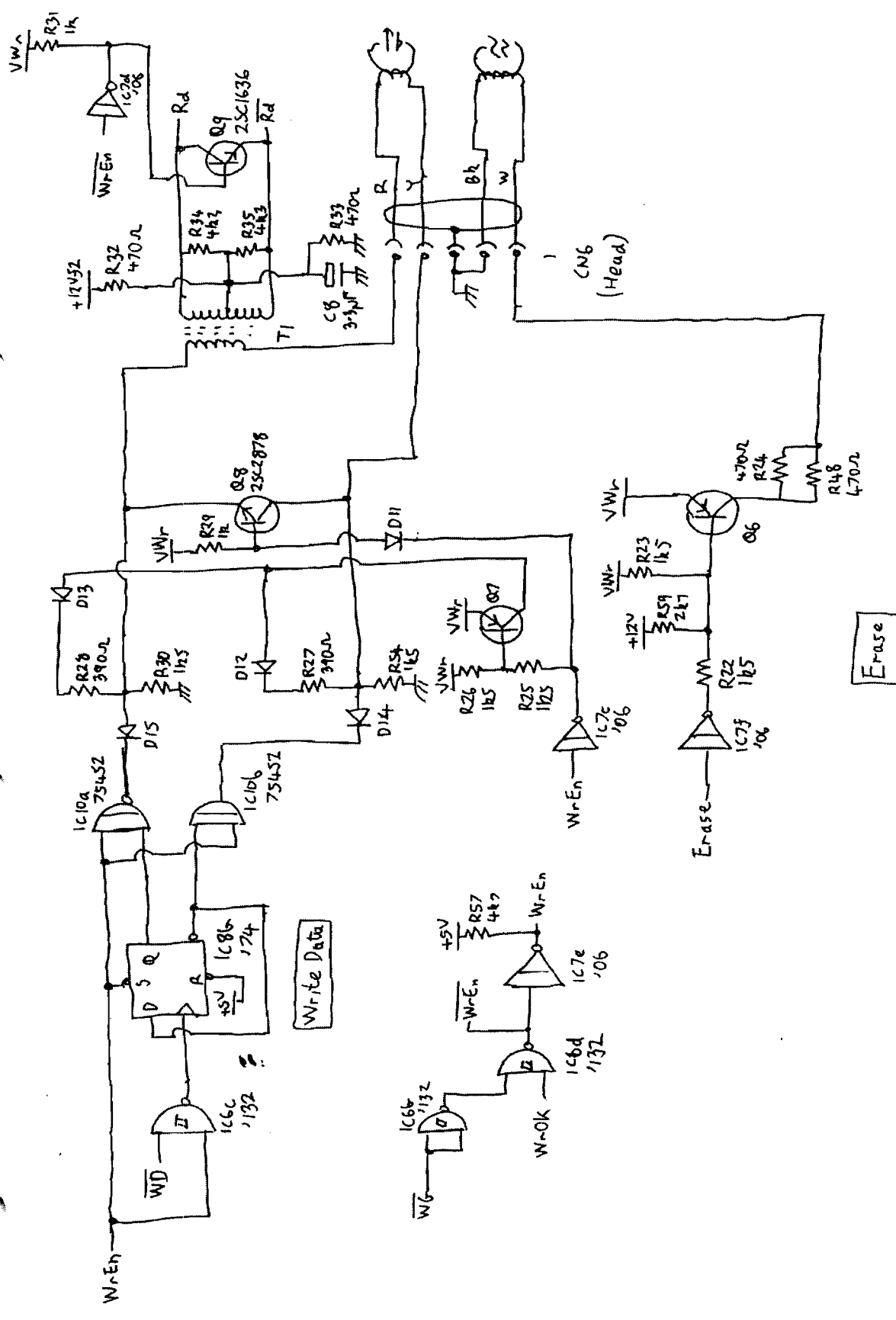
FG-6 PCB

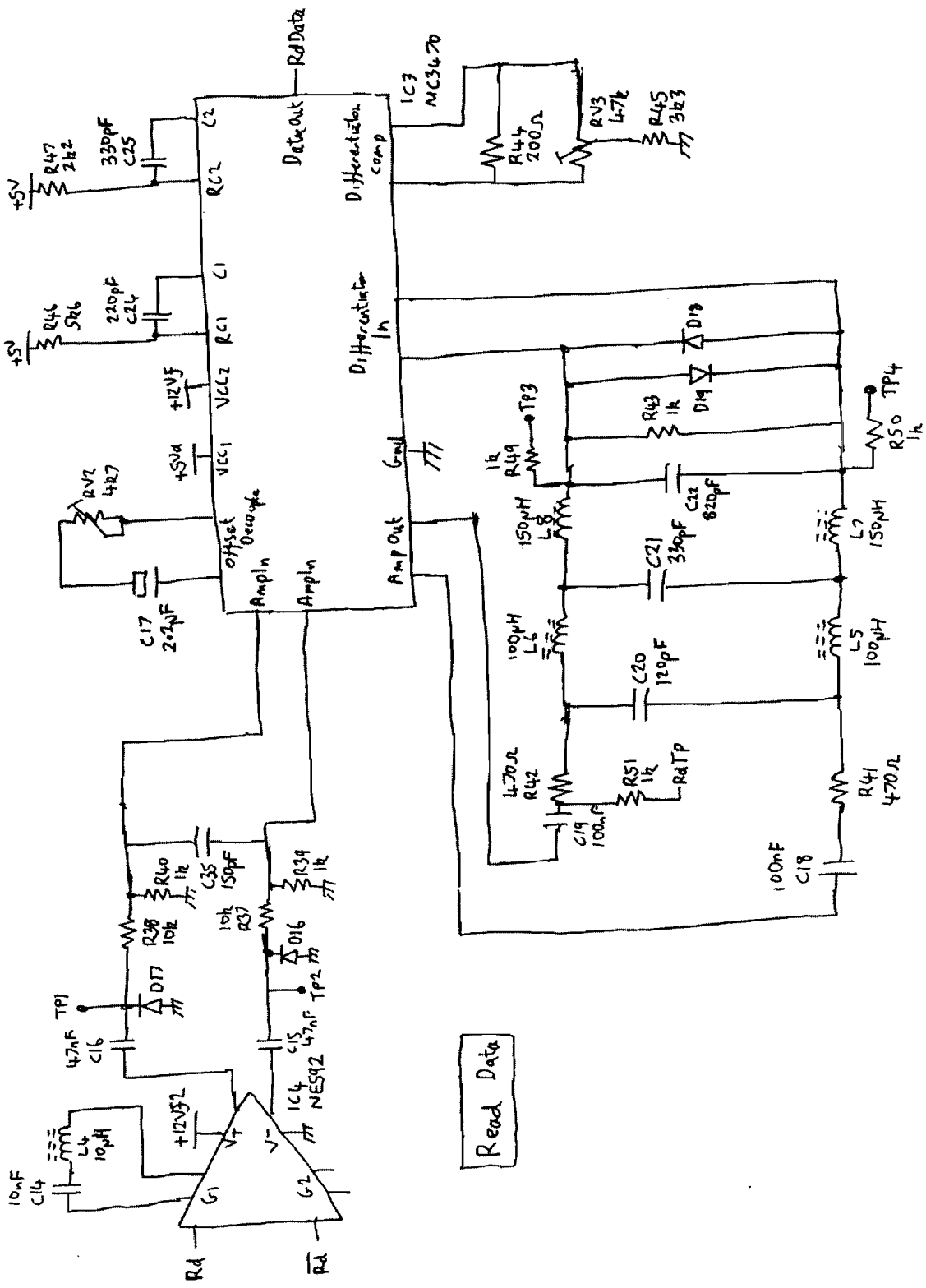
Sony Single-Head Disk Drive sheet ②

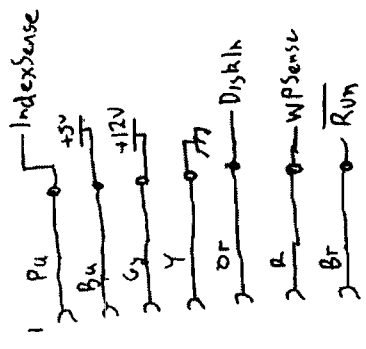
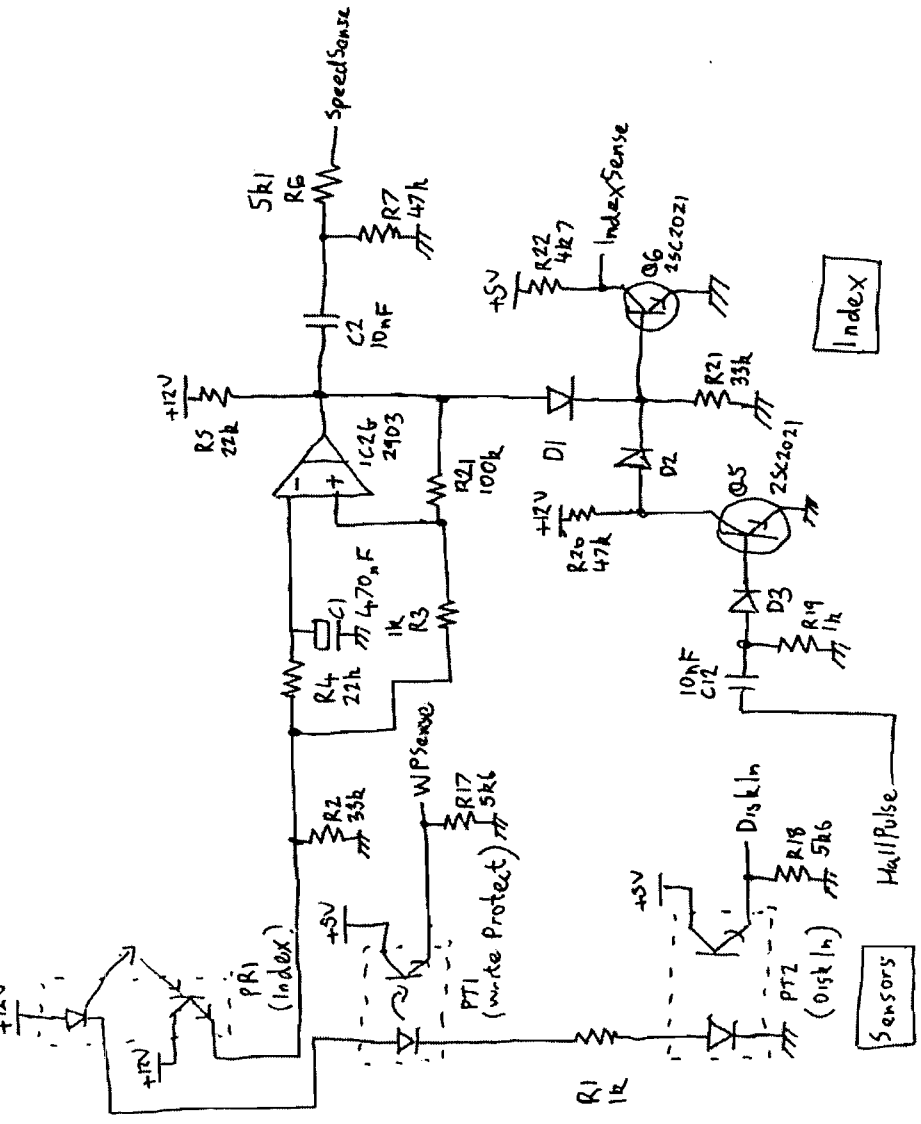


Sony Single-Head Disk Drive Sheet 3

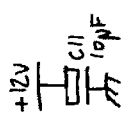
FC-6 PCB

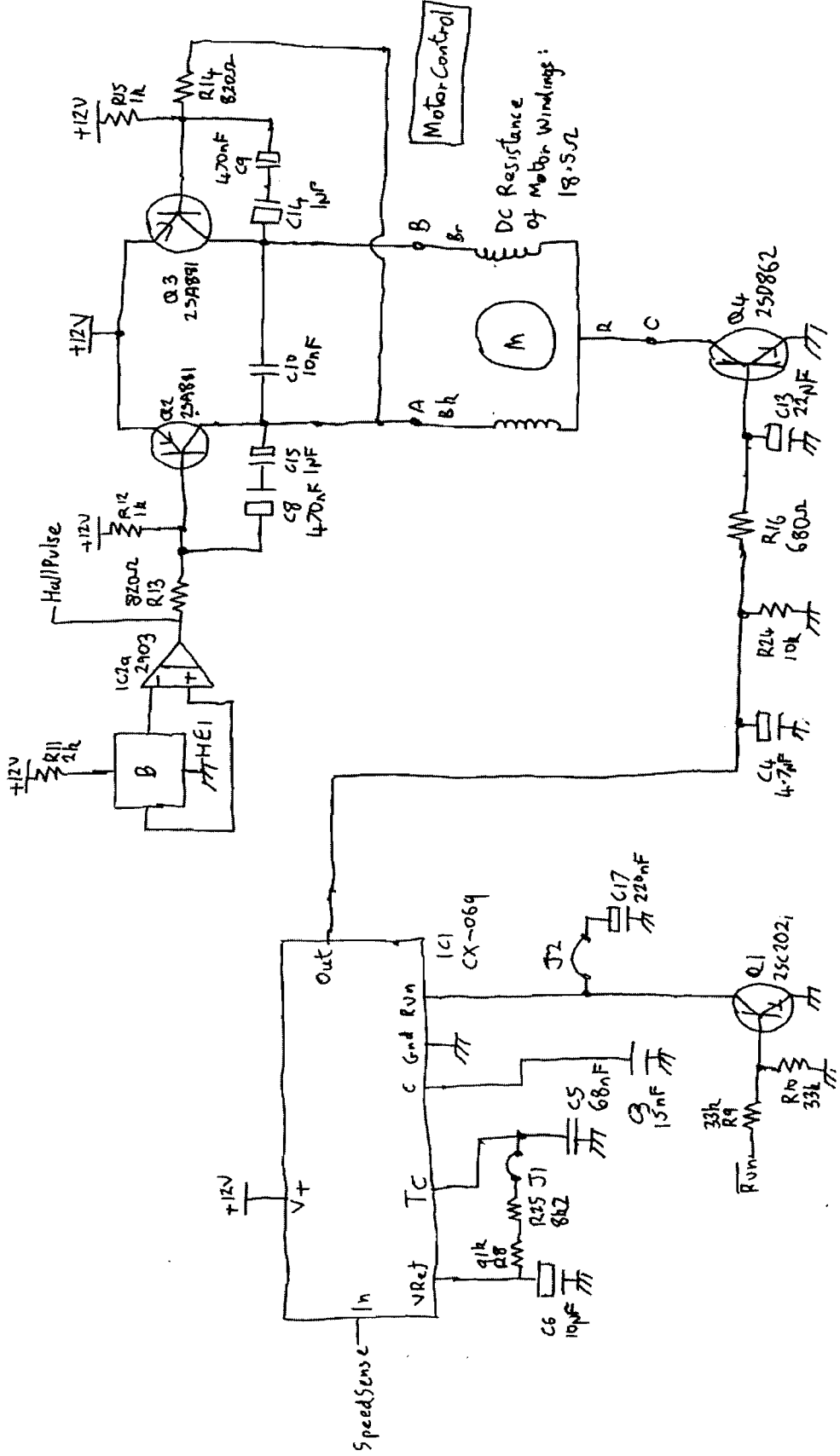


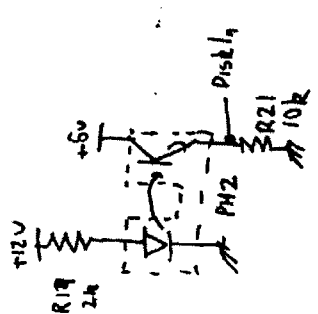
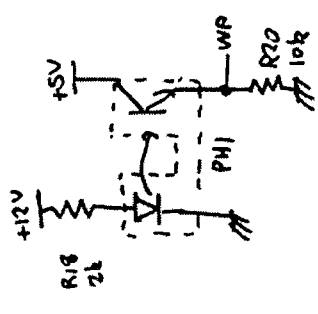




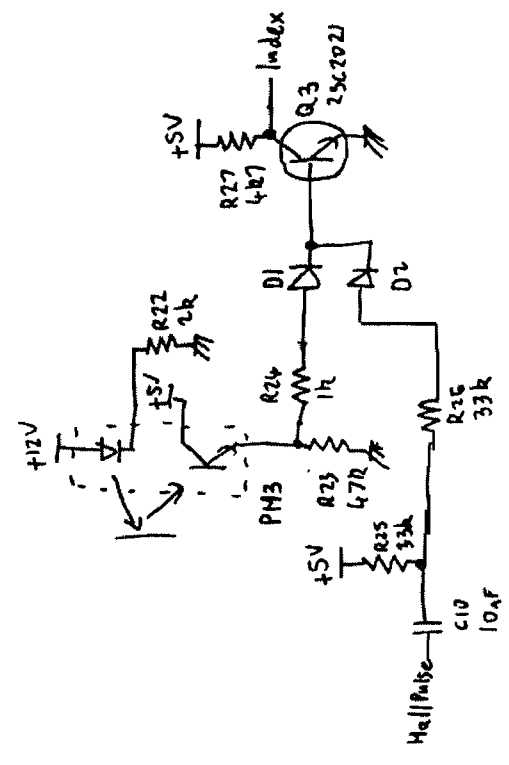
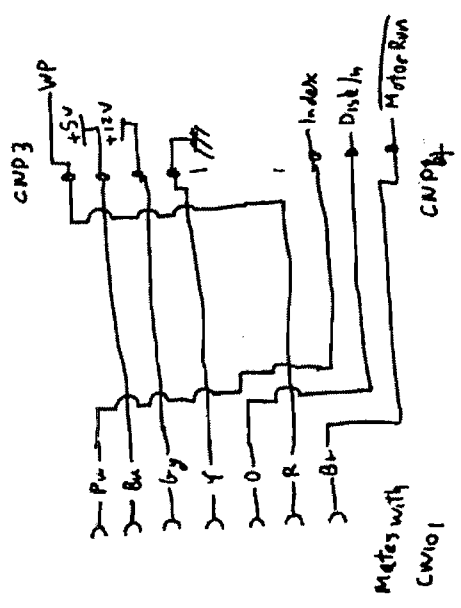
(To CNI)



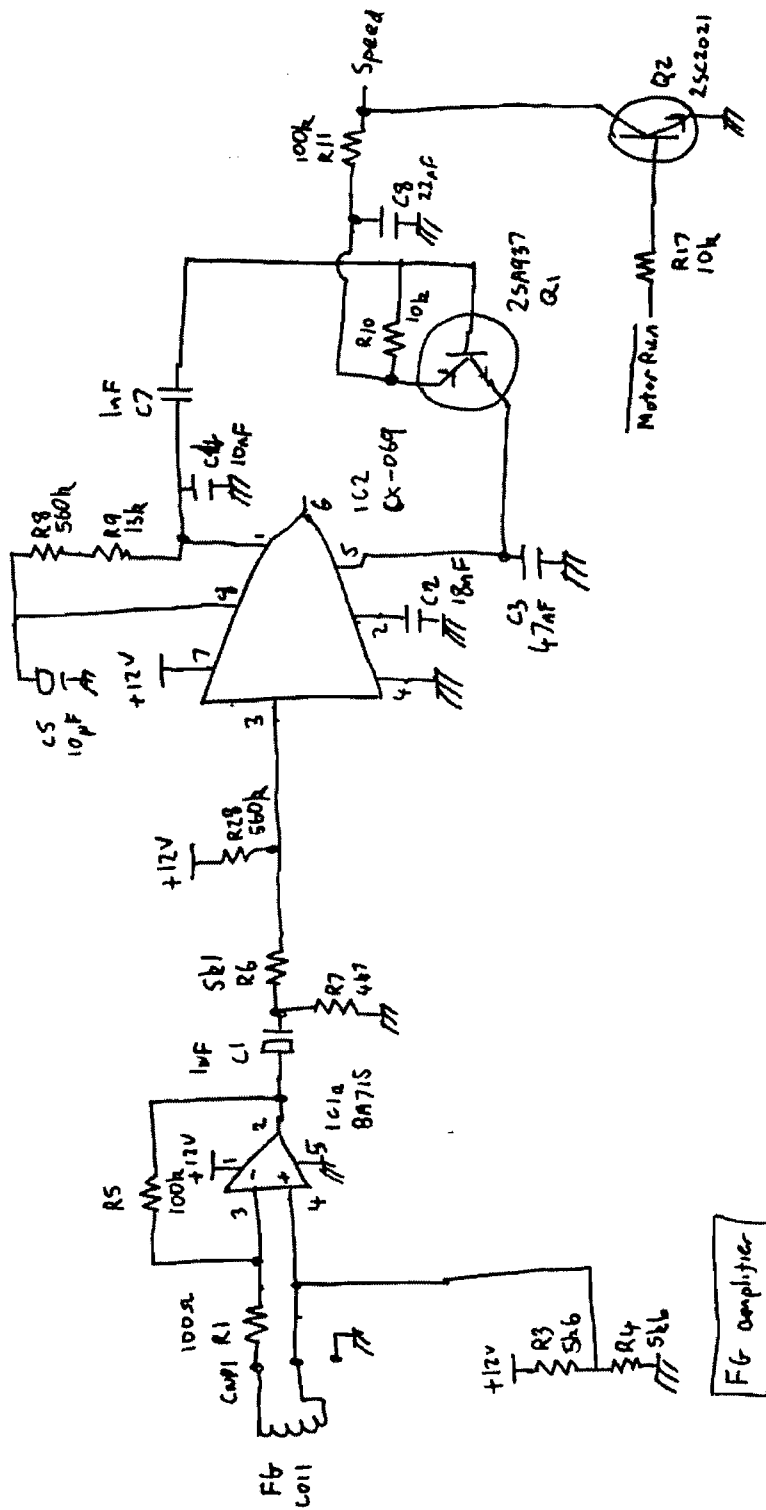




Sensors



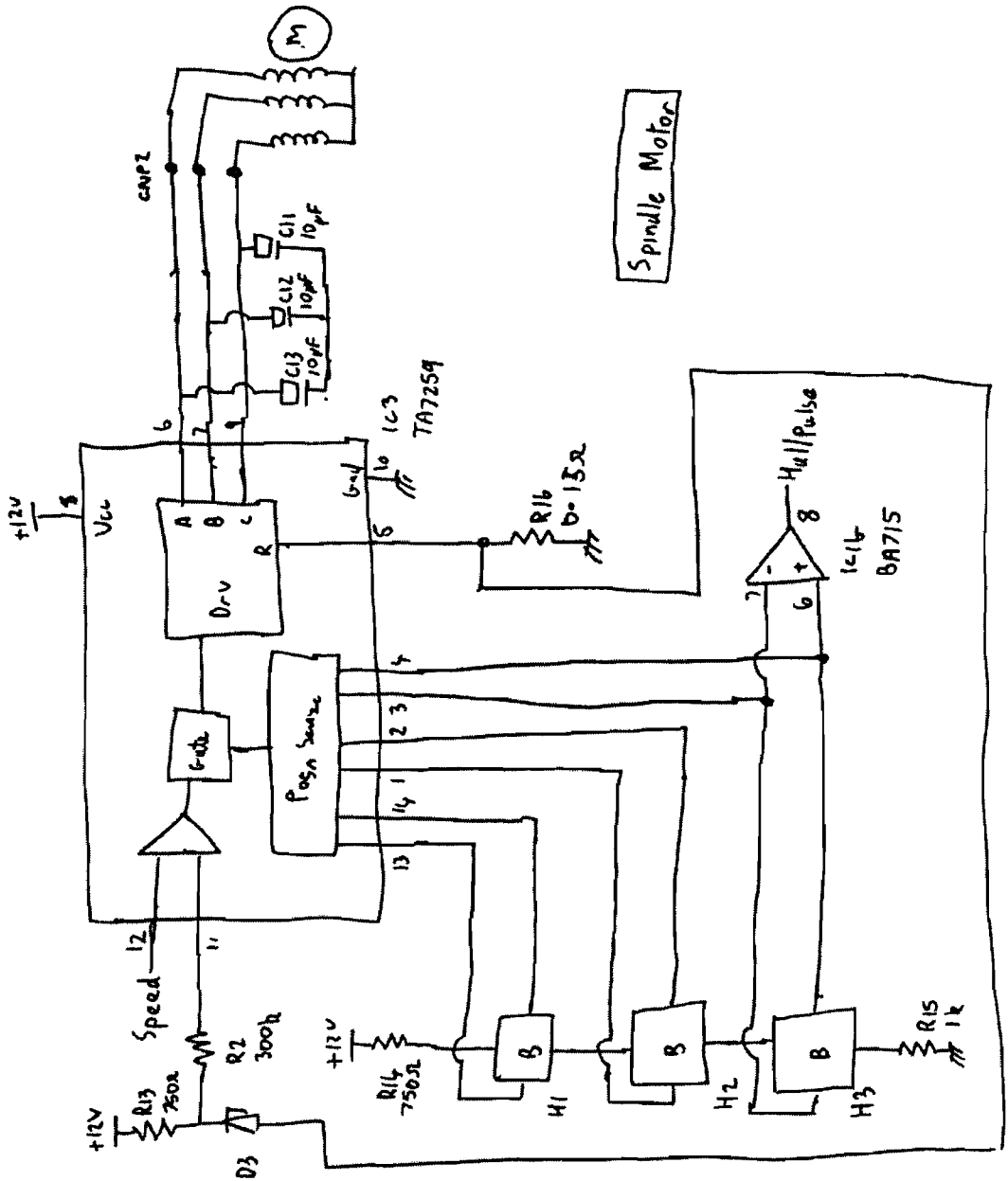
Sony Floppy Drive Spindle Motor Sheet 1



Spindle Speed

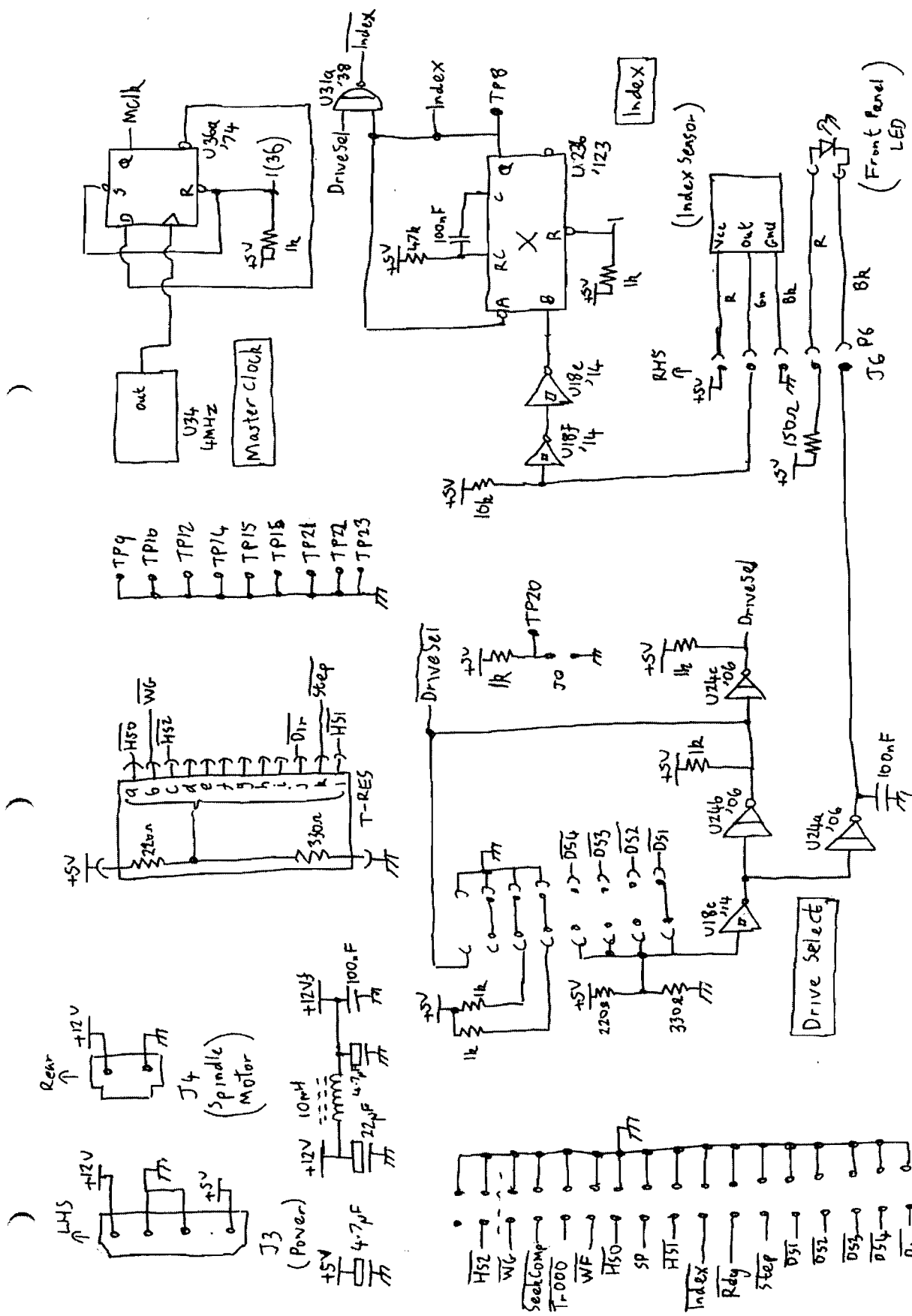
FG amplifier

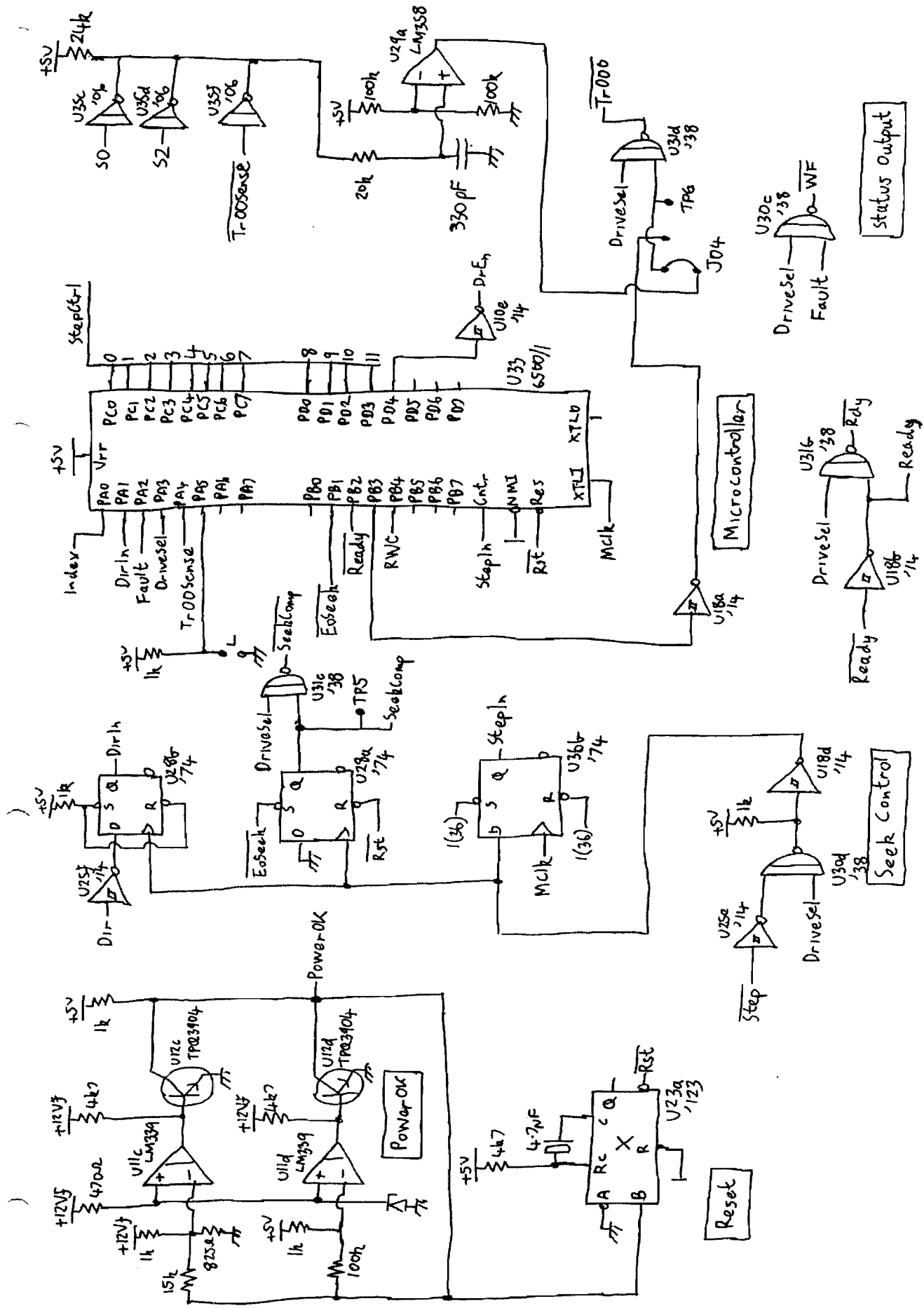
Sony Floppy Drive Spindle Motor speed 2



Spindle Motor

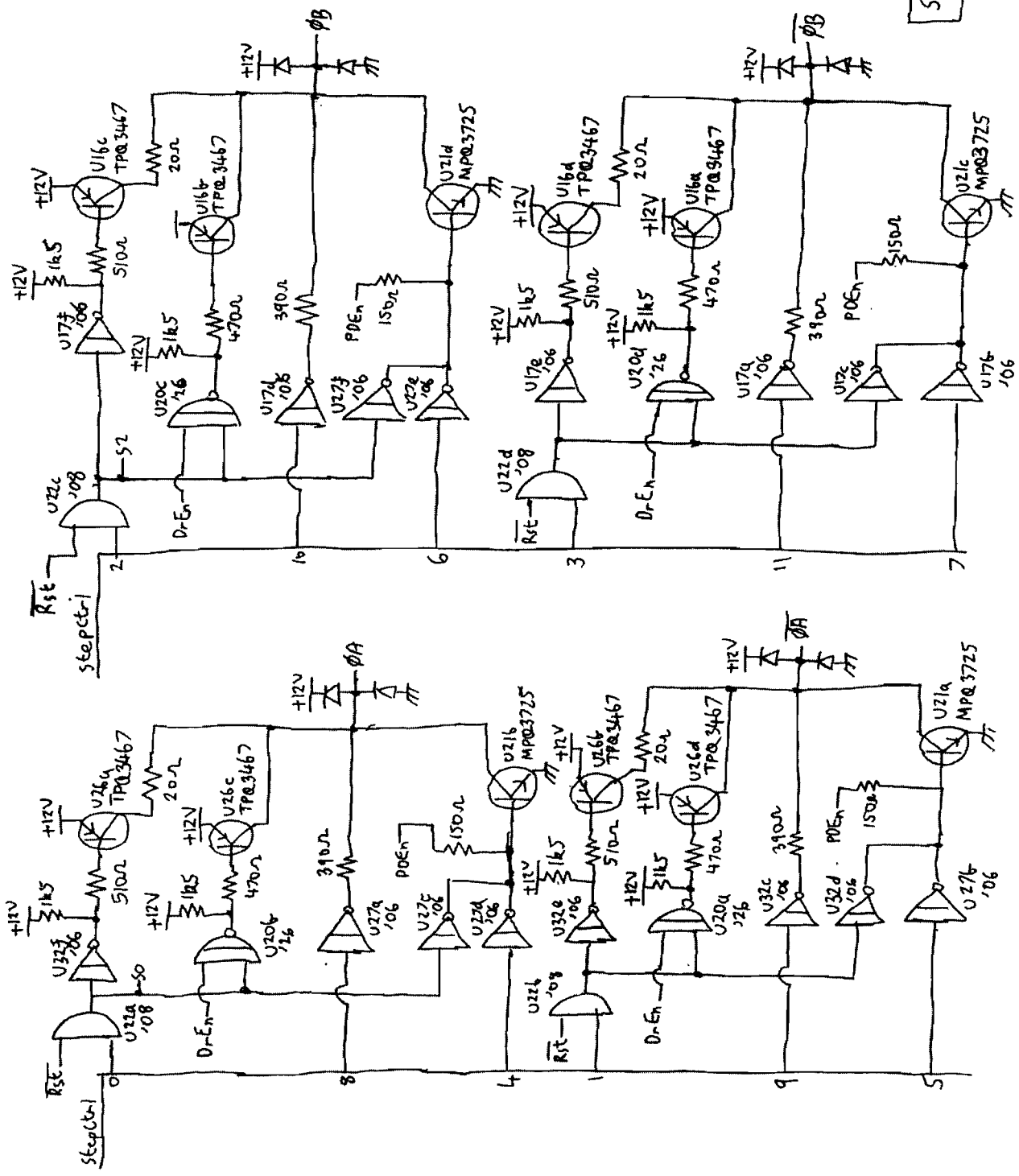
Sony Floppy Drive Spindle Motor Sheet ③

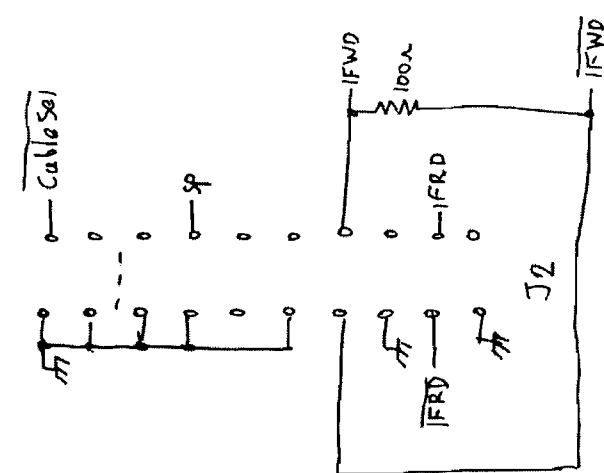
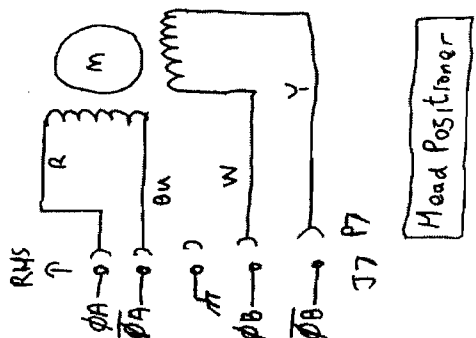
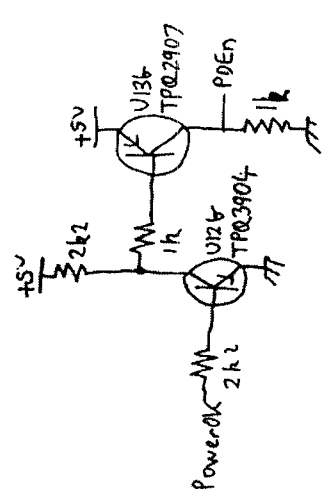
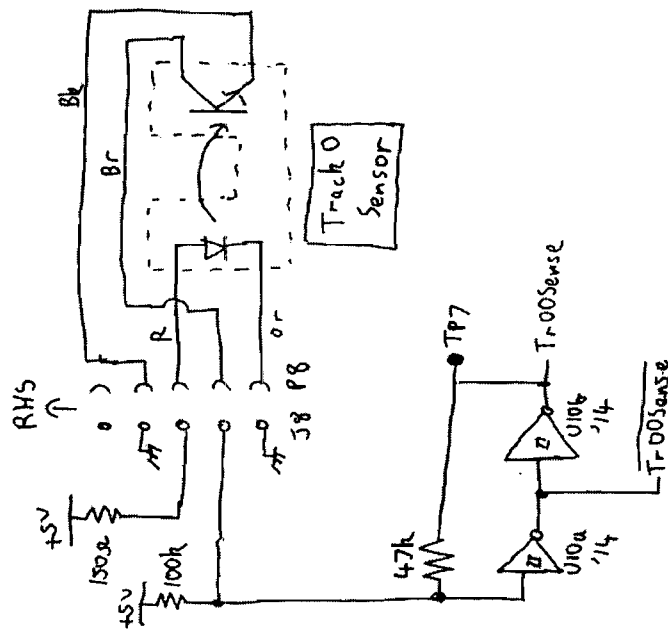


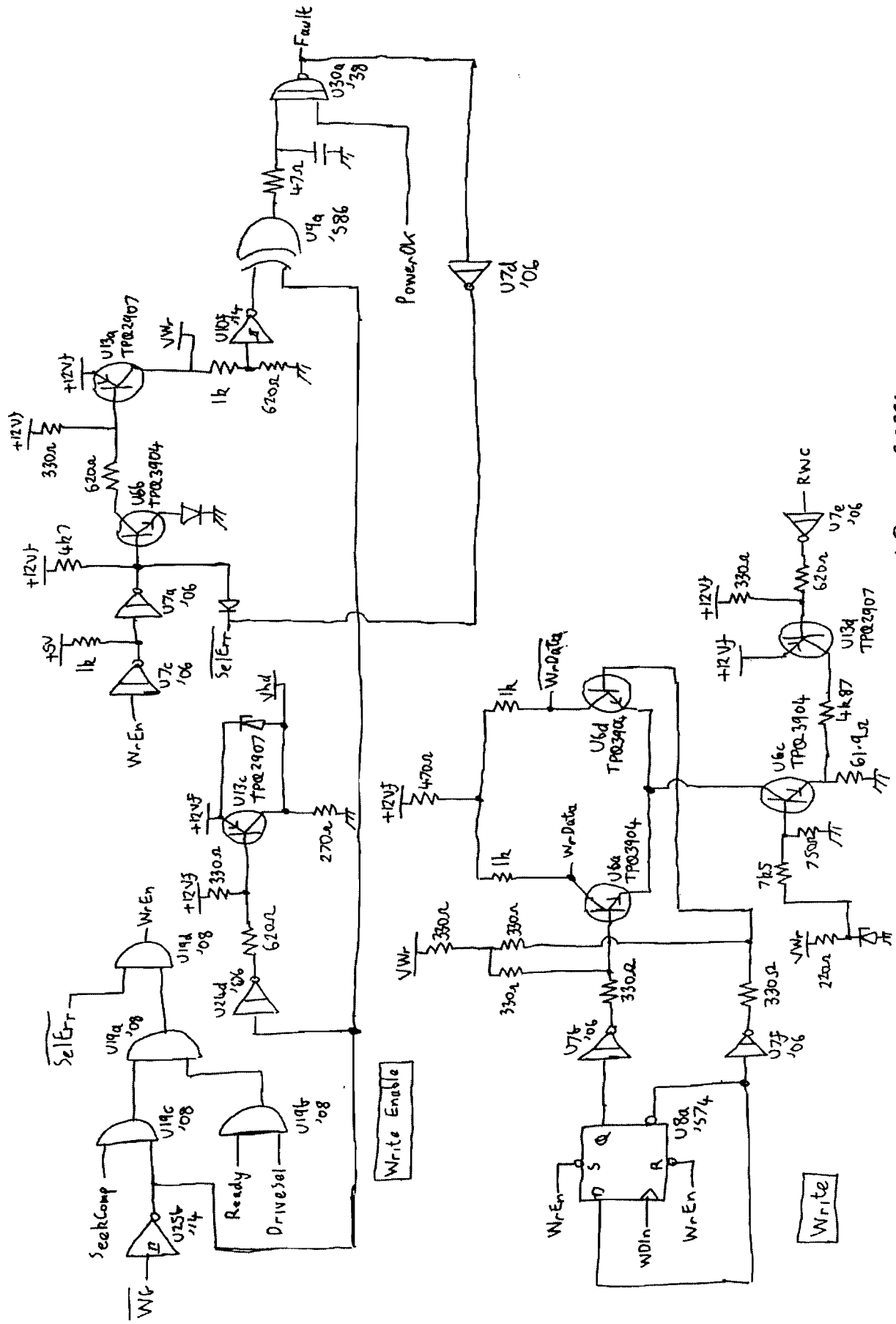


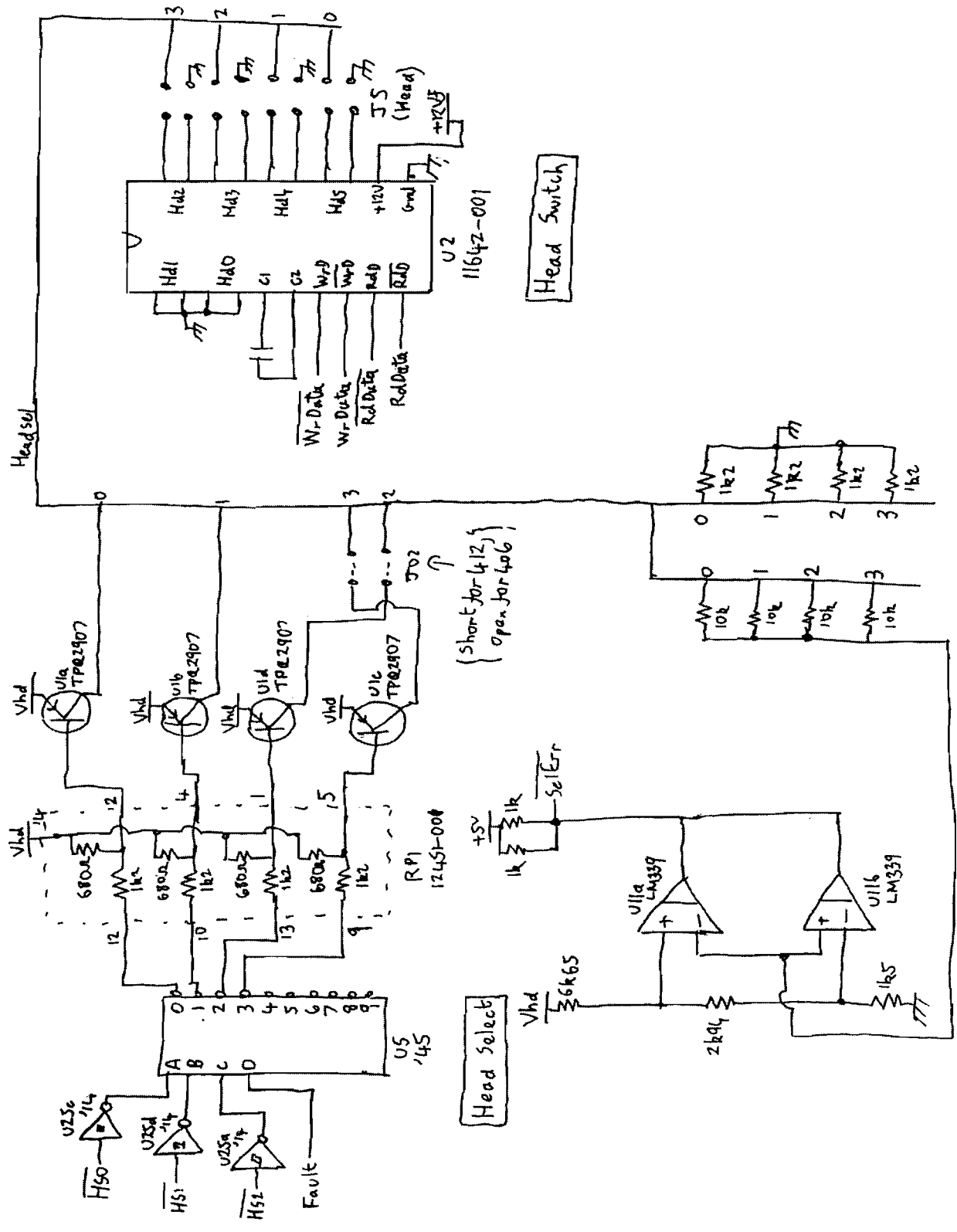
Seagate ST406/ST412 Control PCB Sheet 2 20221

Stepper Motor Driver

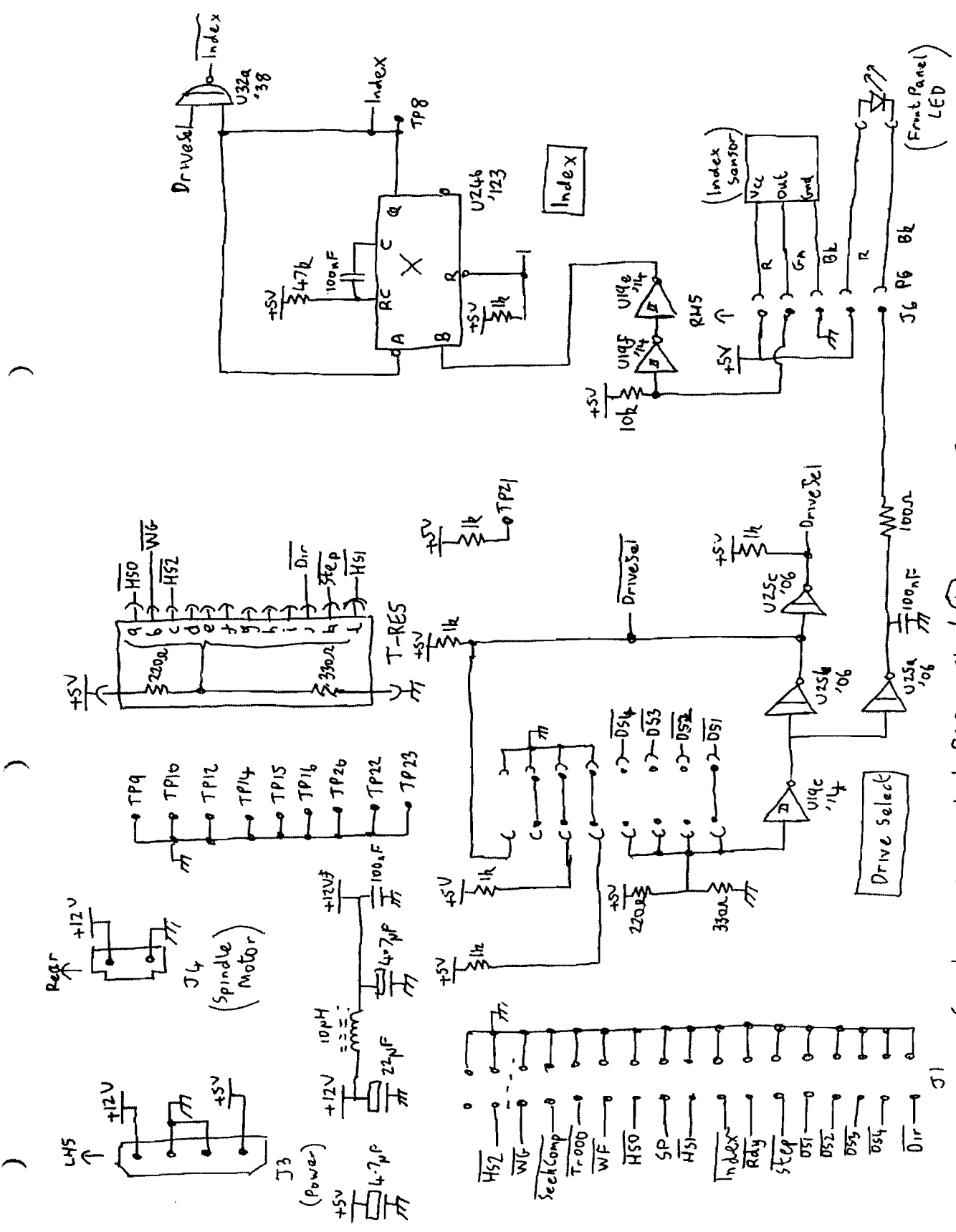




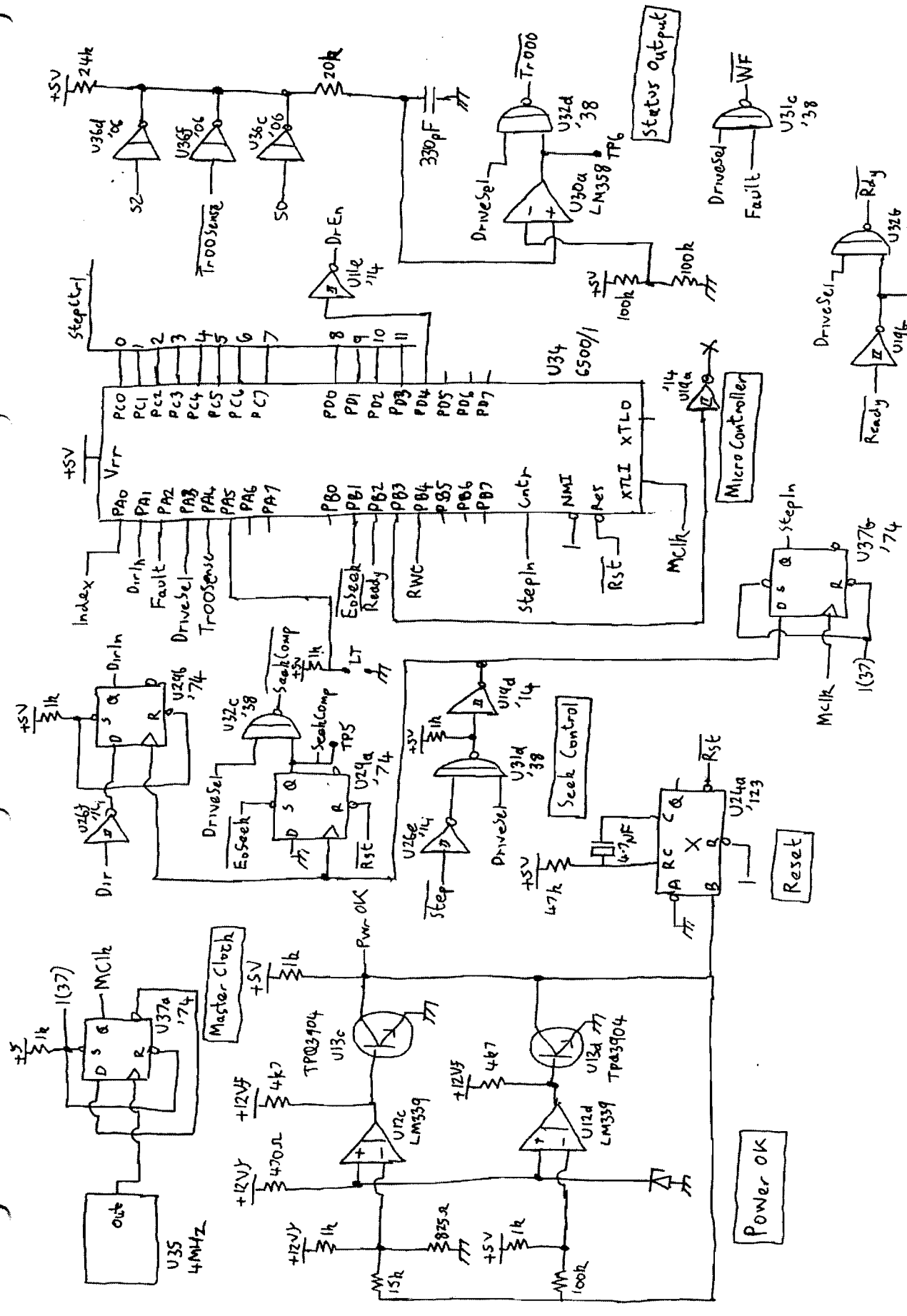




Seagate ST406 / ST412 Control PCB Sheet (6) 20221

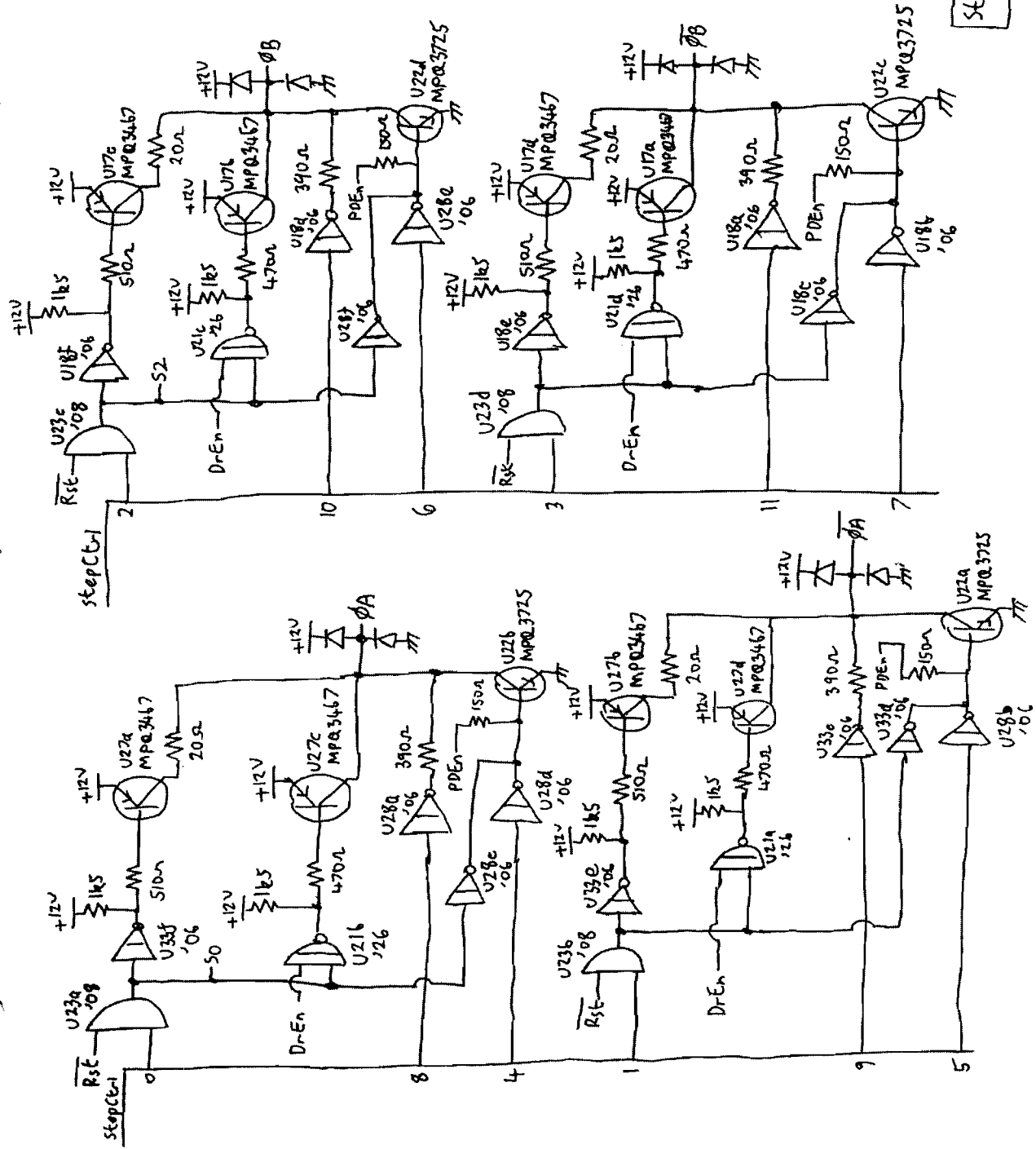


Seagate ST419 control PCB sheet 1 20225

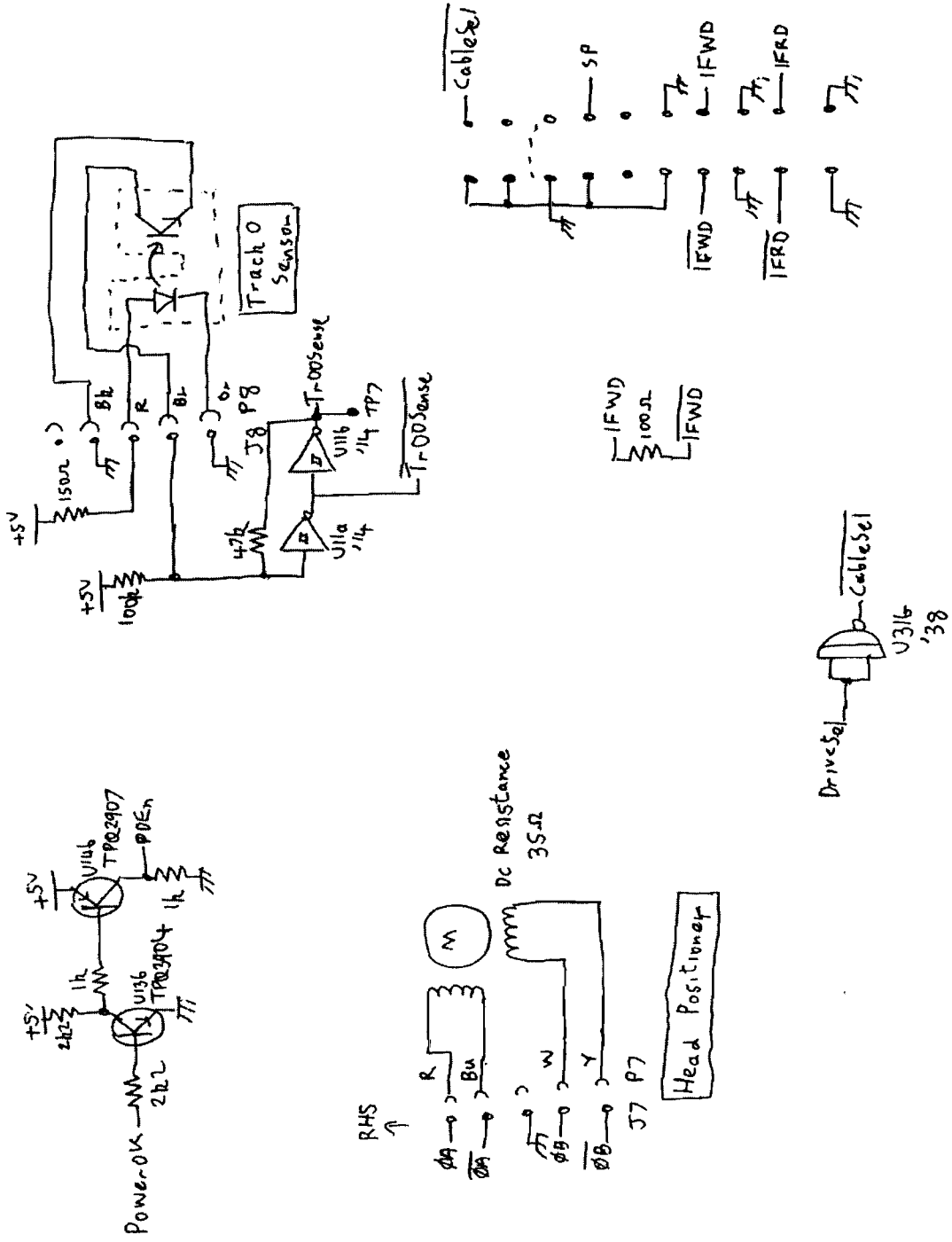


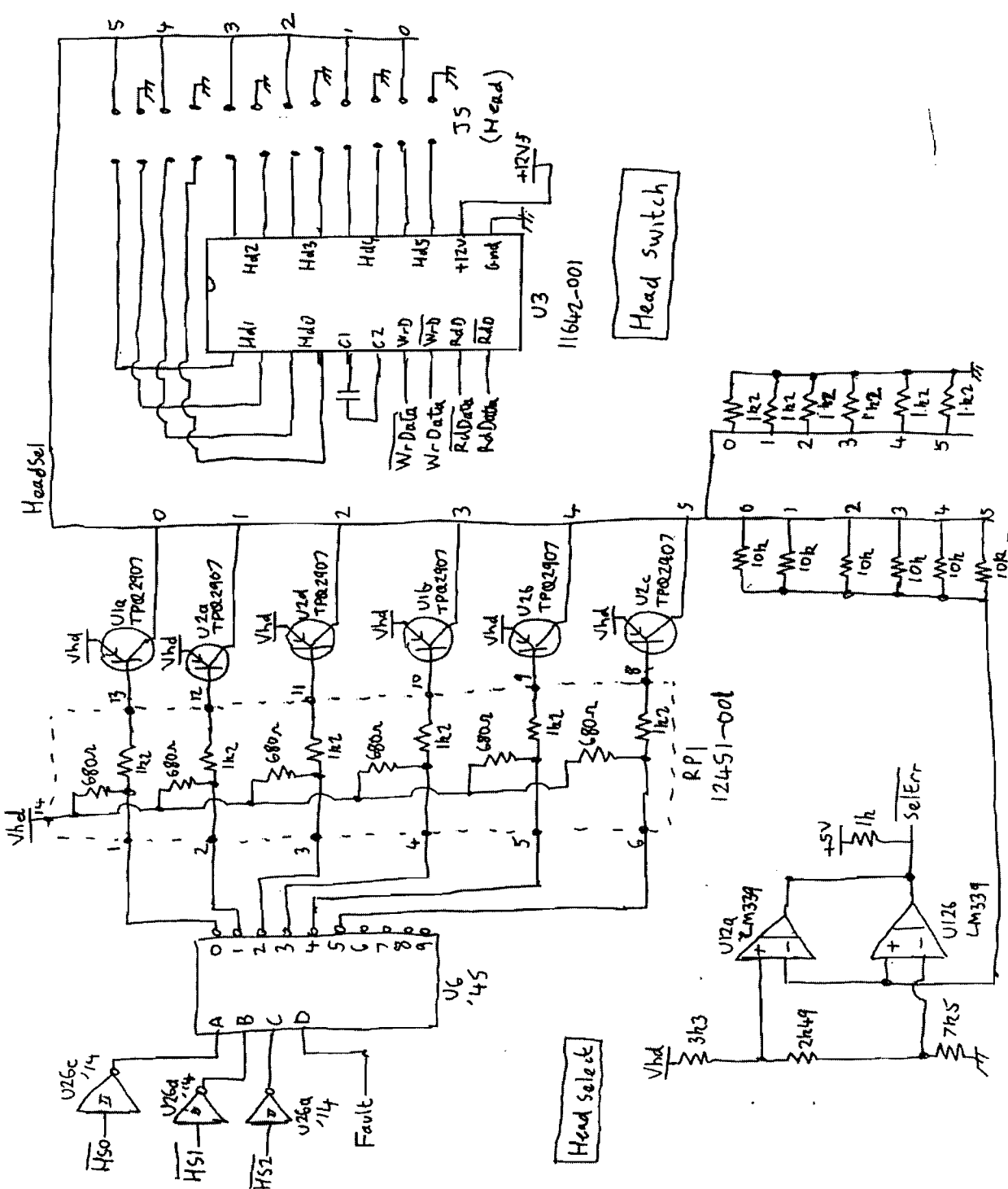
Seagate ST419 Control PCB Sheet (2)

20225

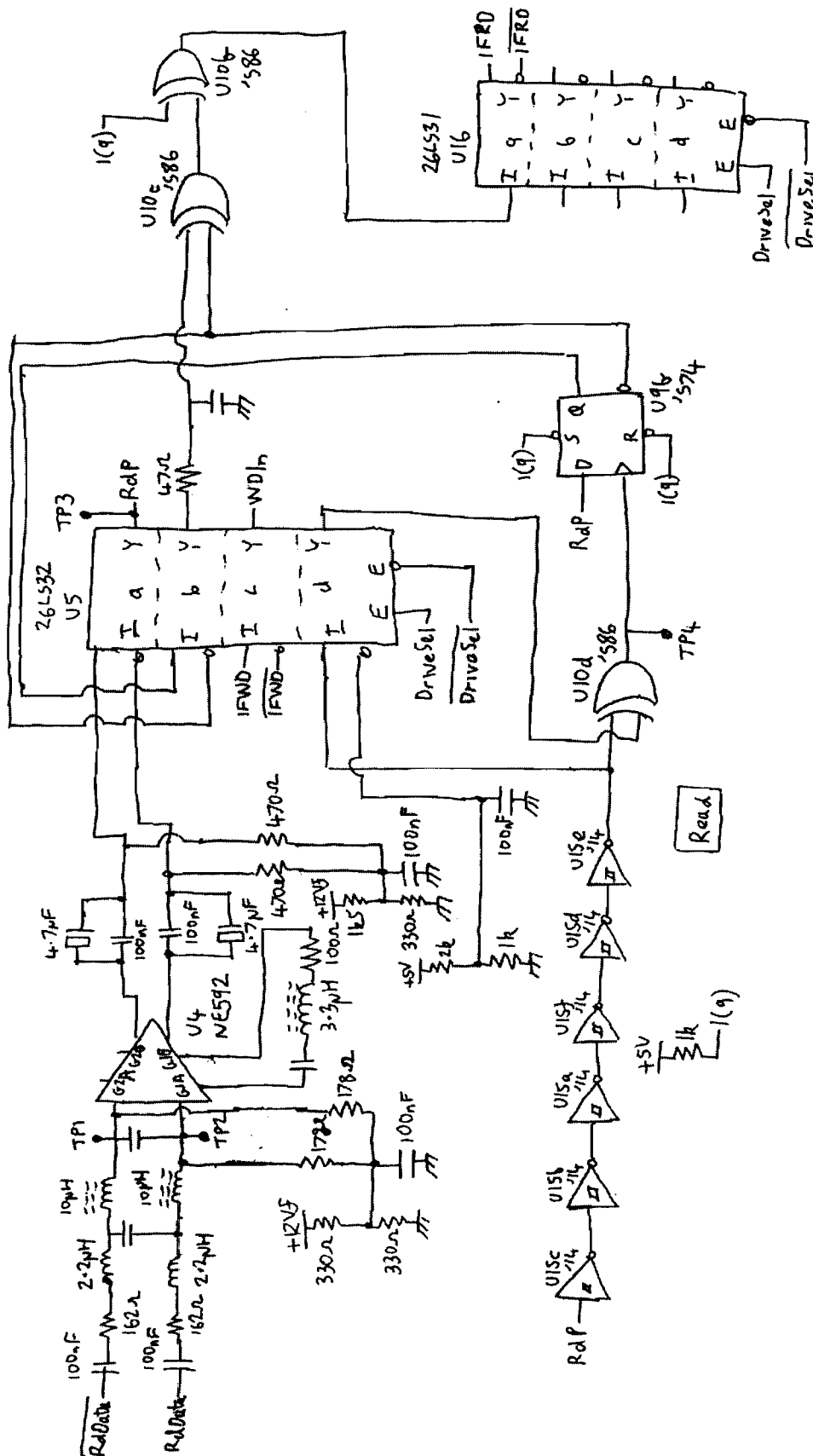


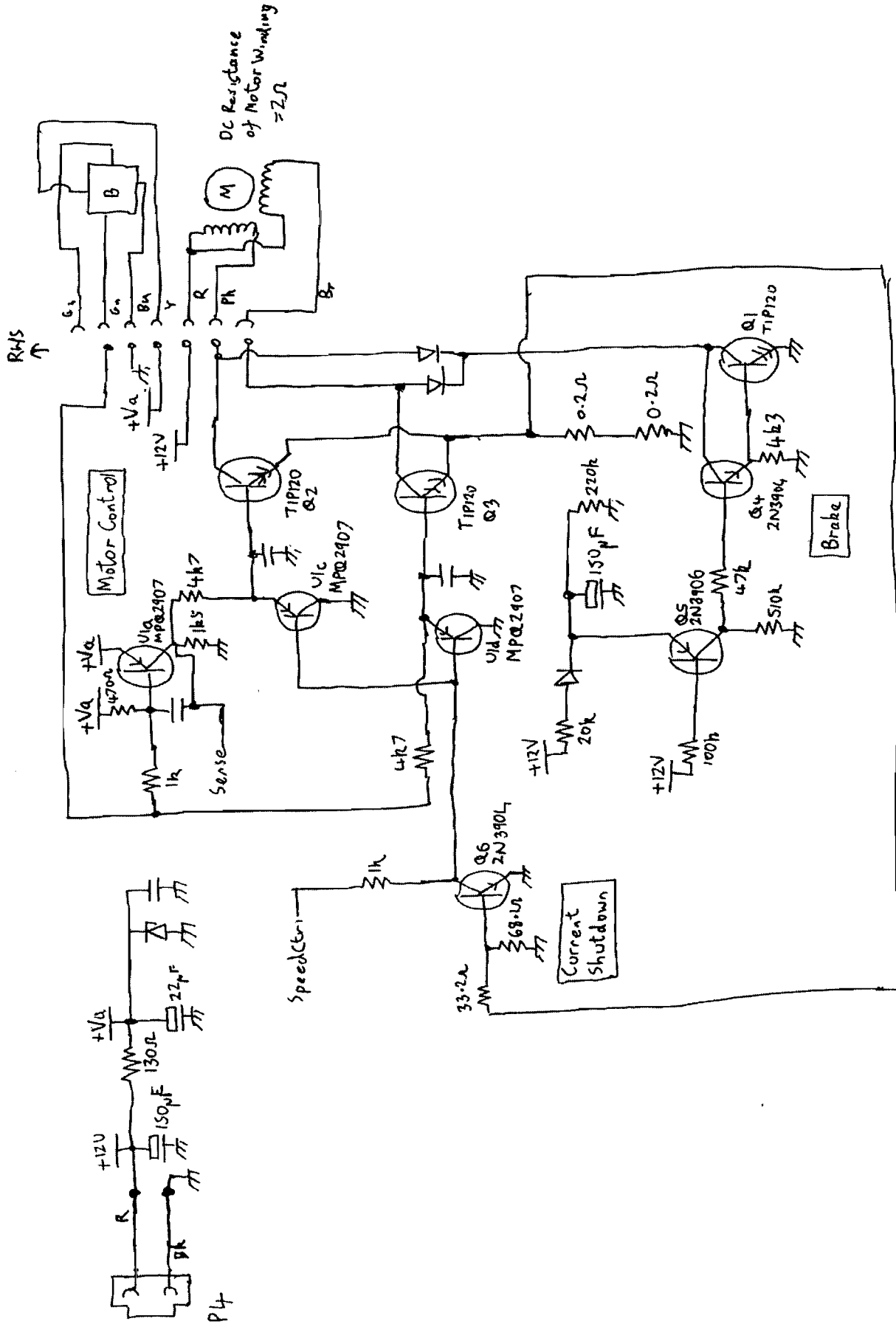
Stepper Motor Driver

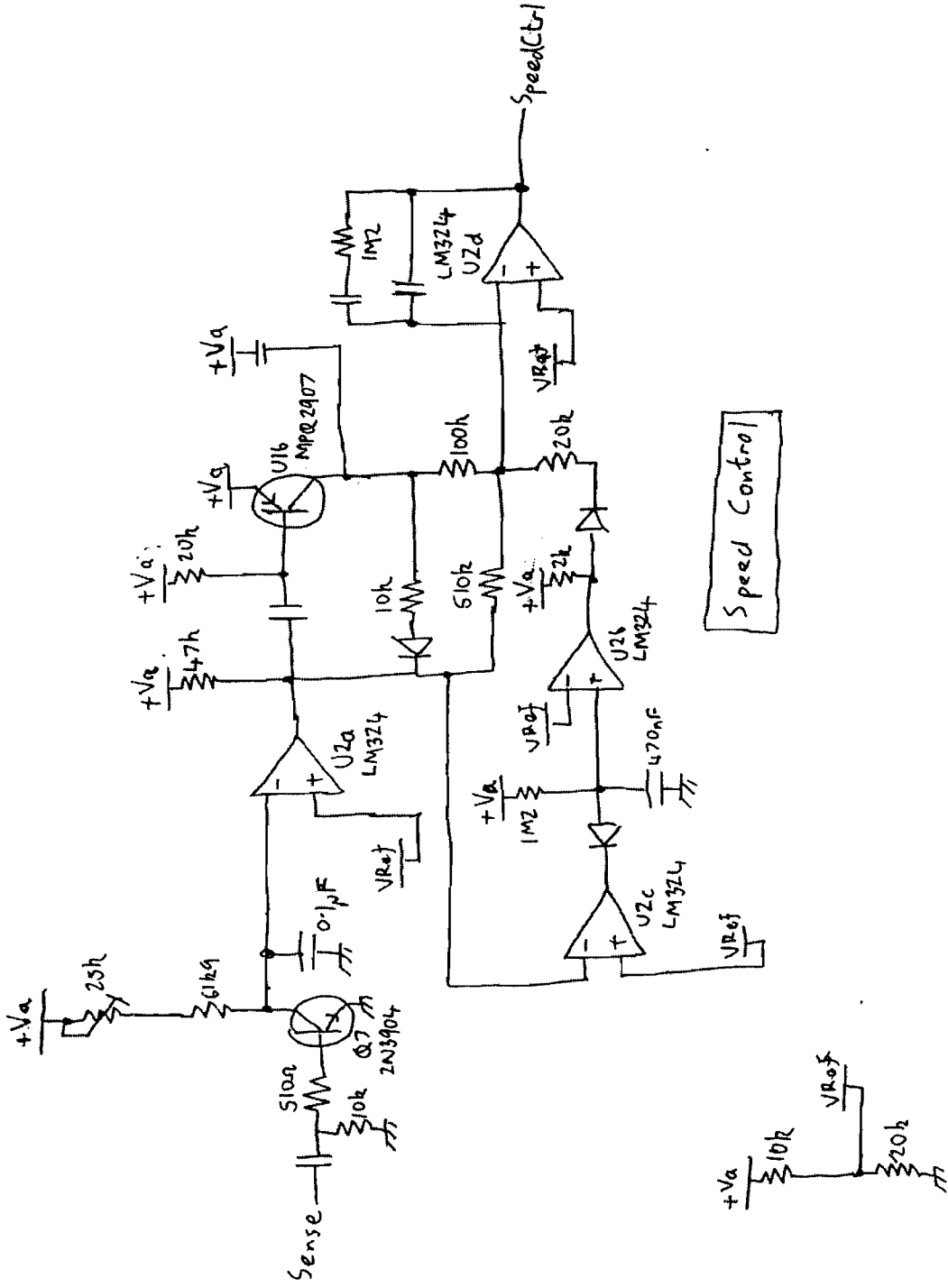




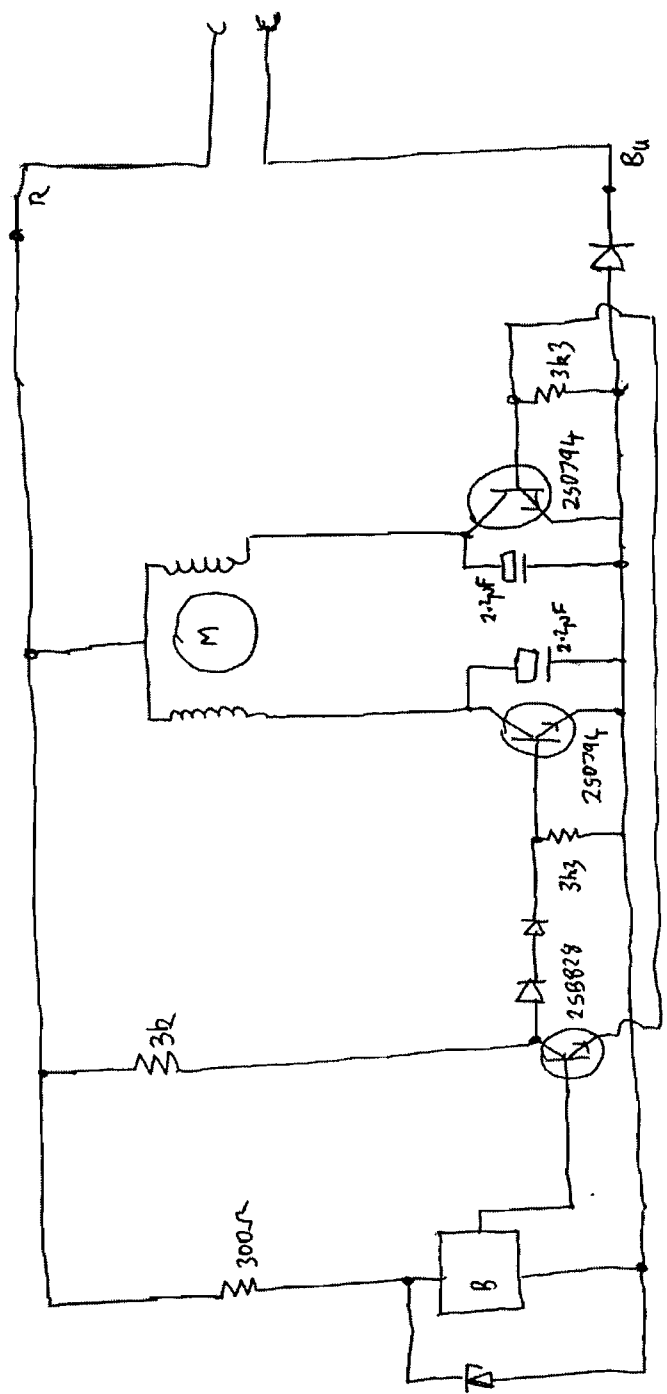
Seagate ST419 Control PCB Sheet 6 20225







Speed Control



HP 9133V/XV Fan (Panaflo)