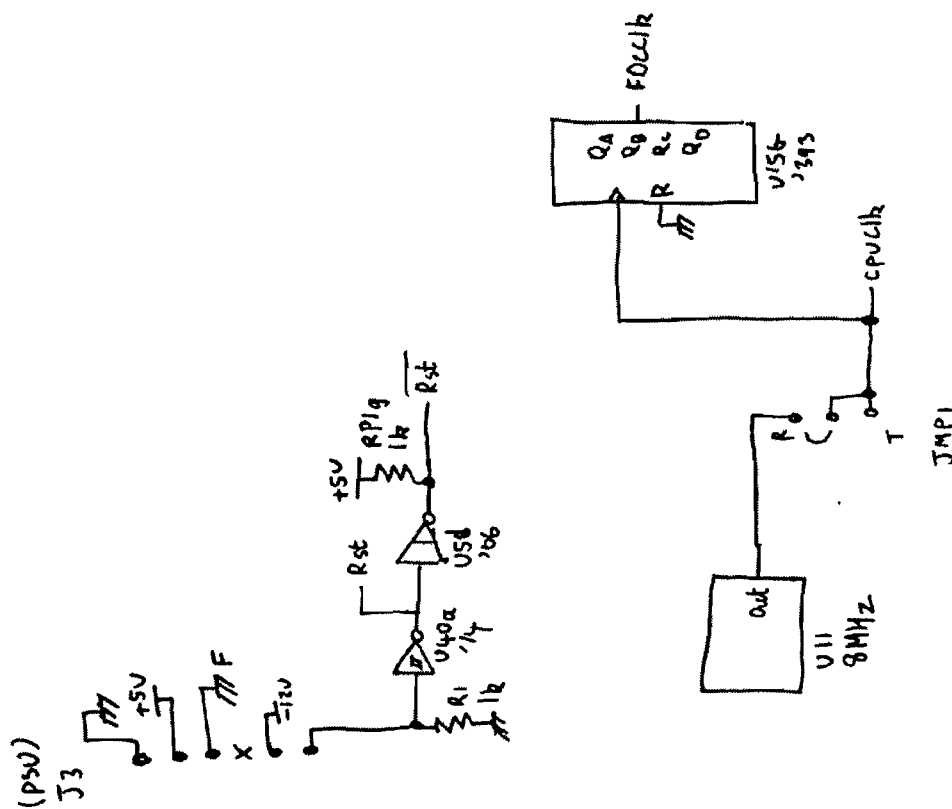
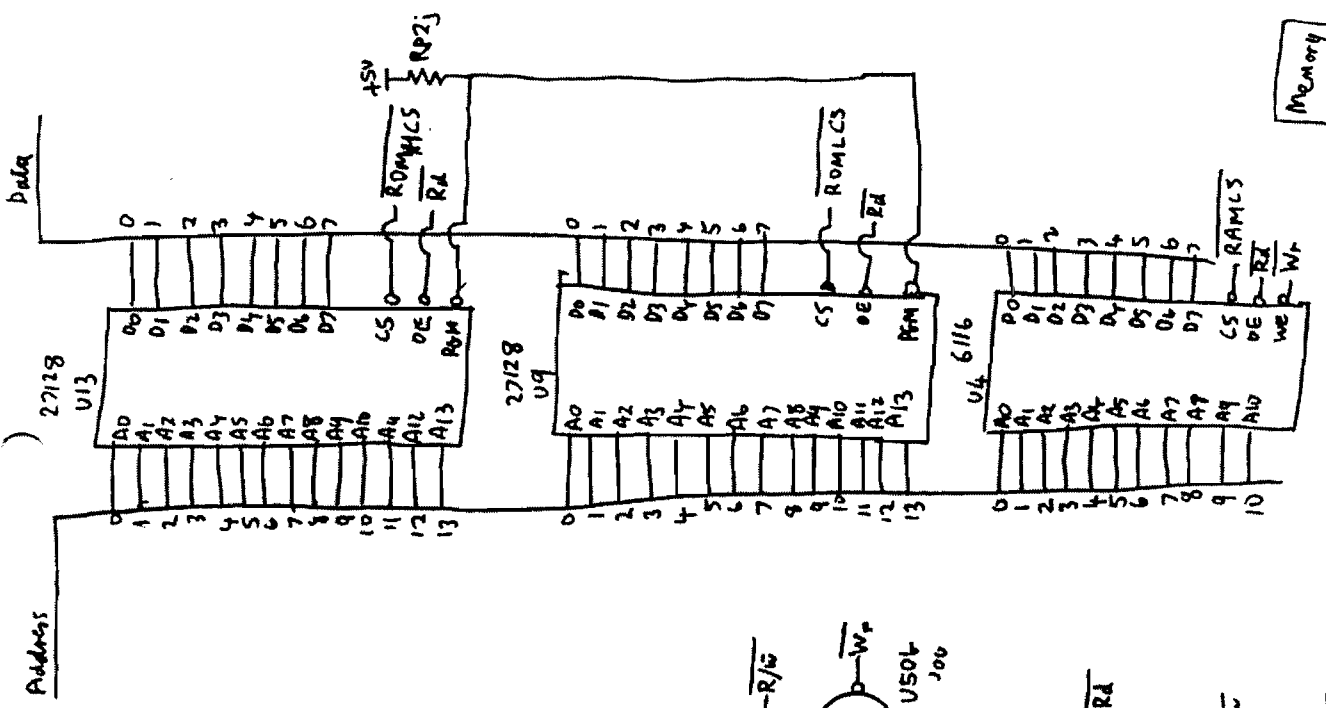


CPU

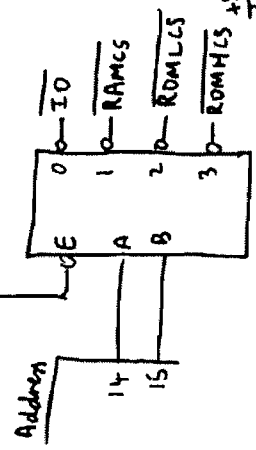
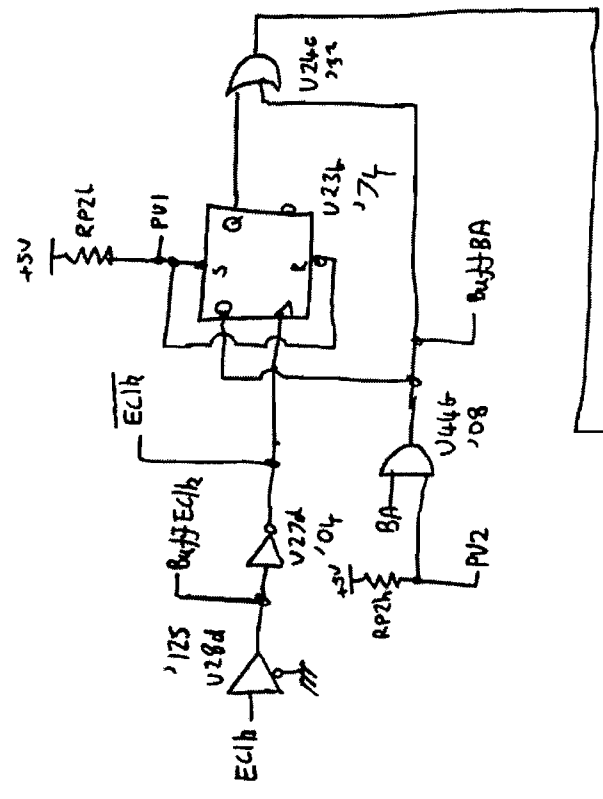


clock

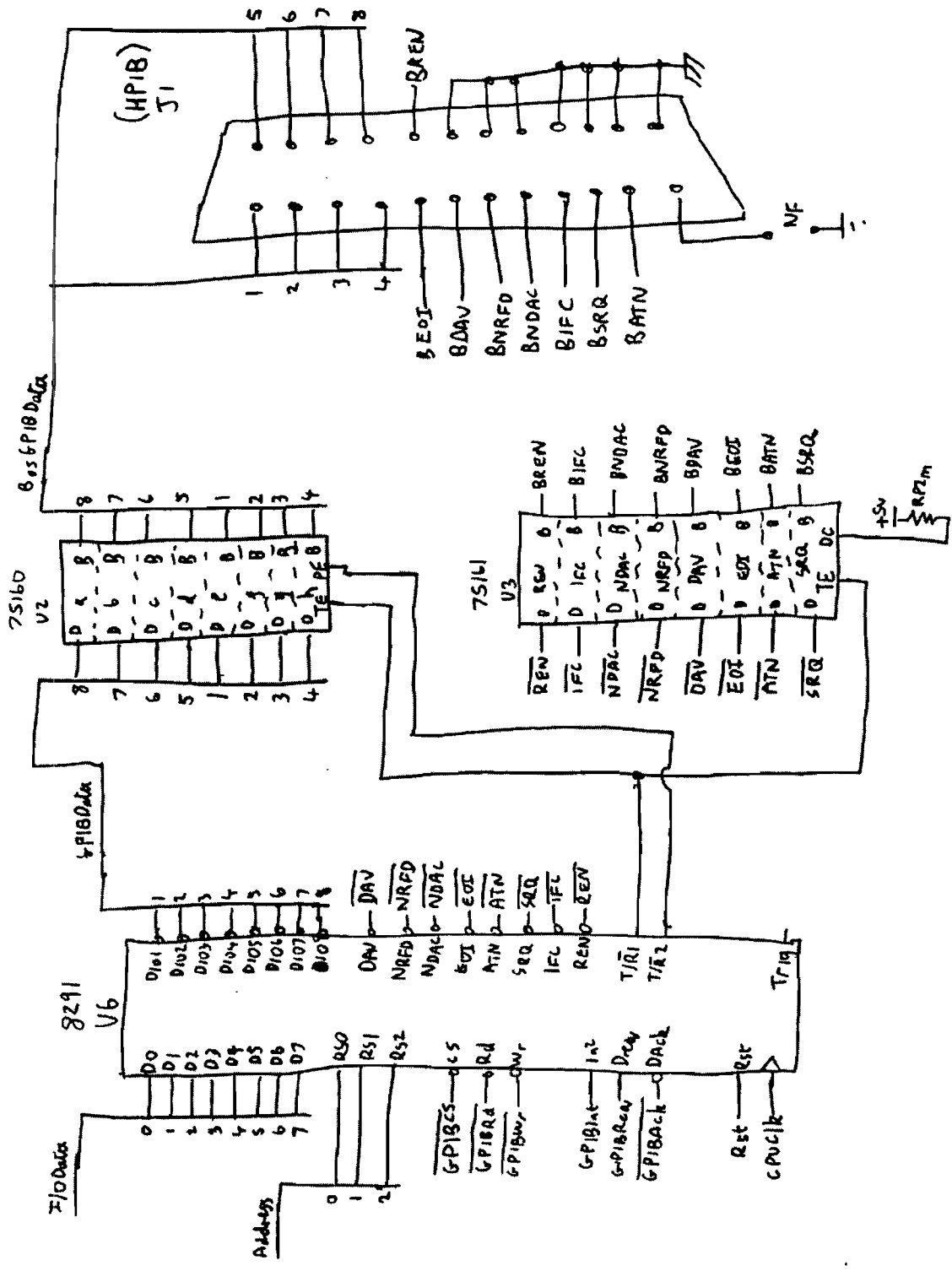
HP9133 Controller sheet (1)



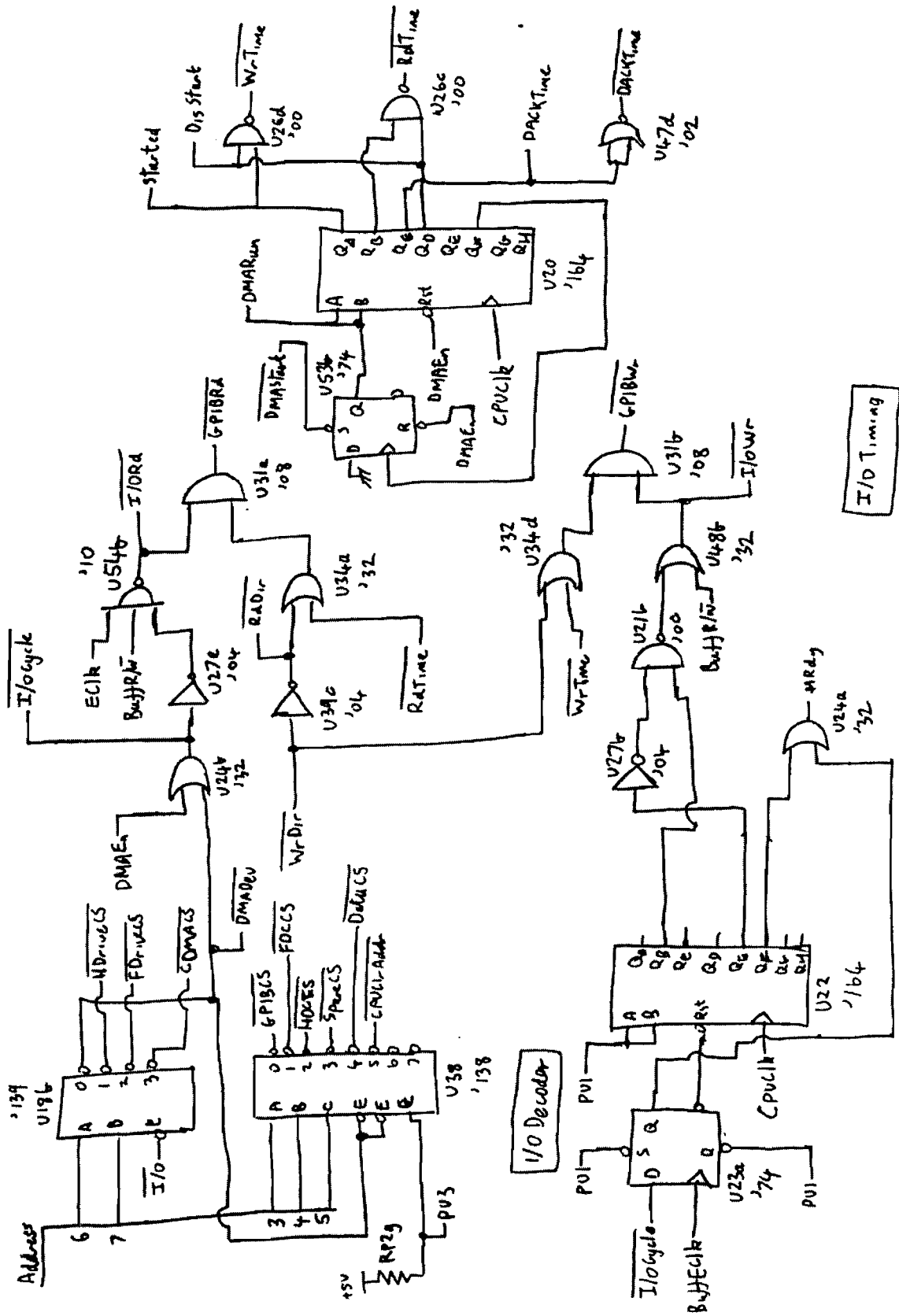
Memory



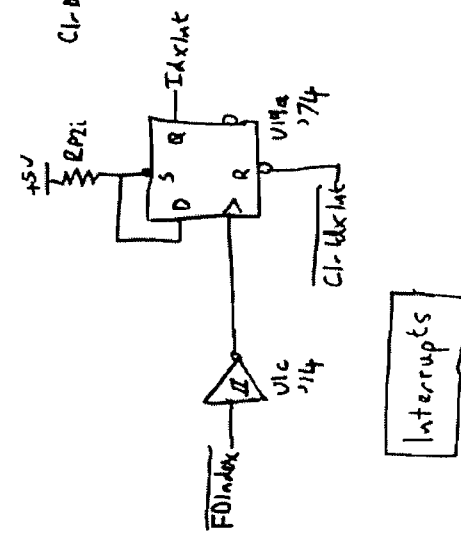
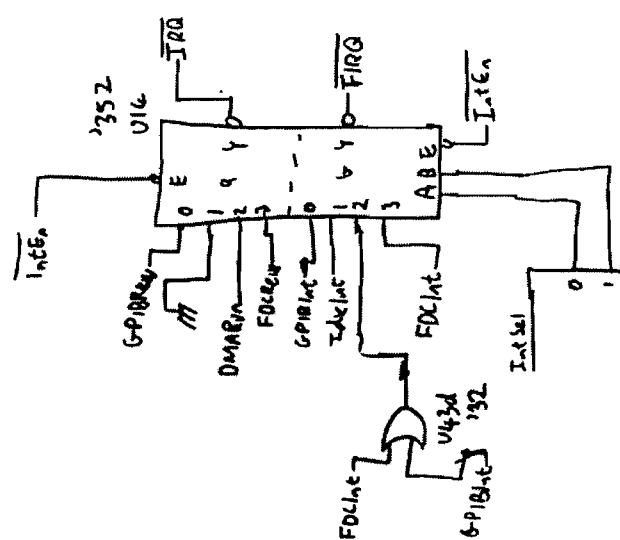
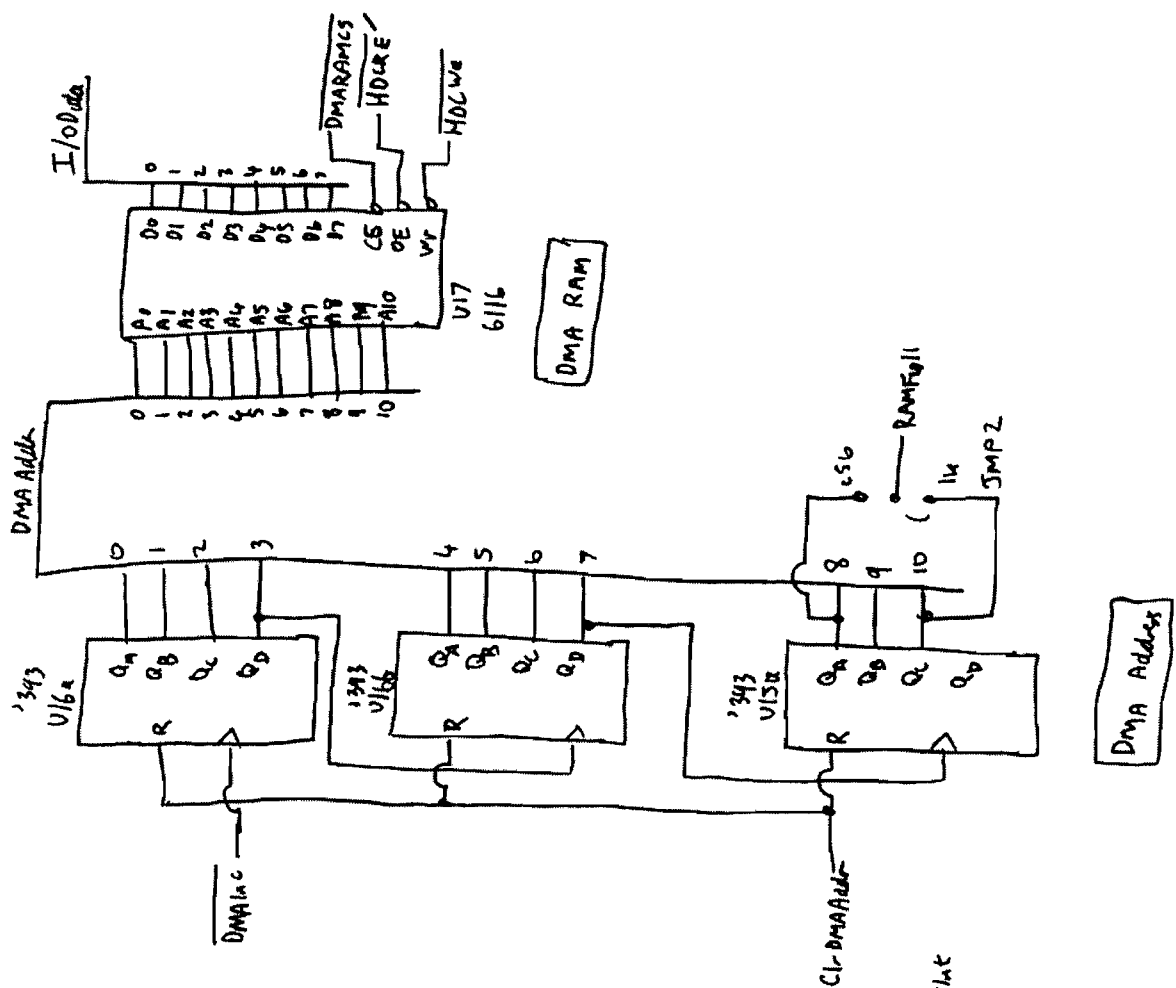
Address Decoder

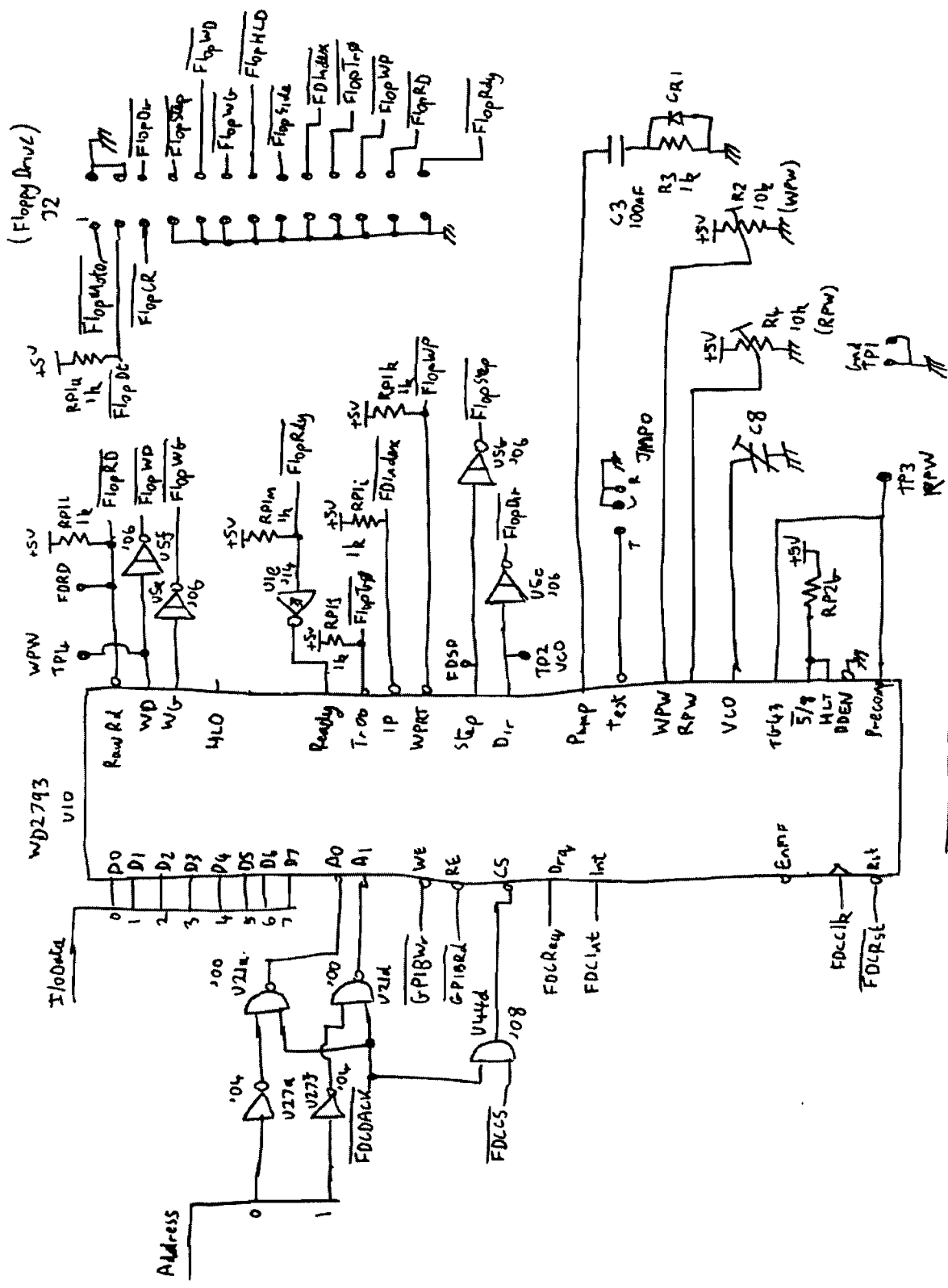


HP-IB Port



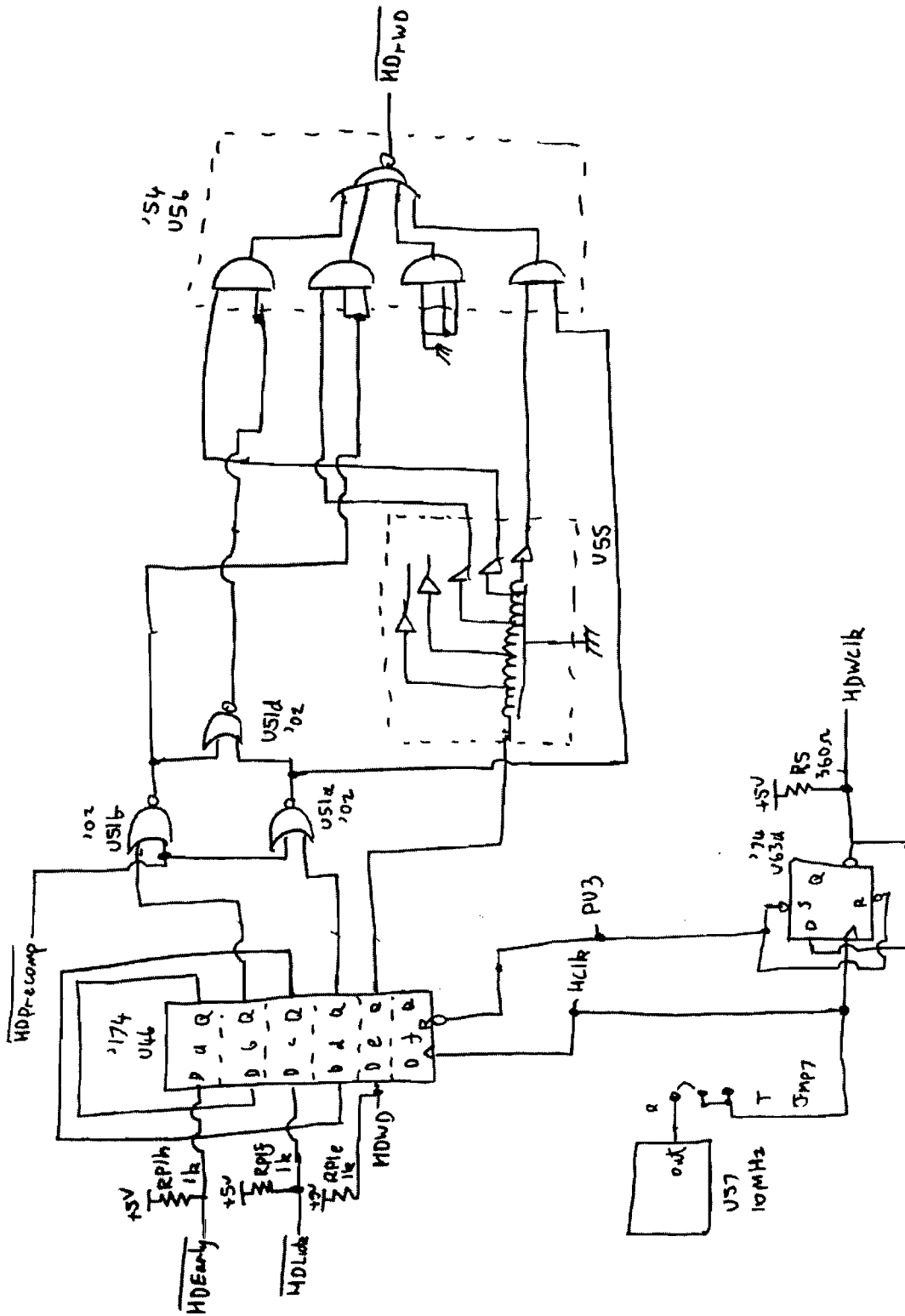
I/O Timing



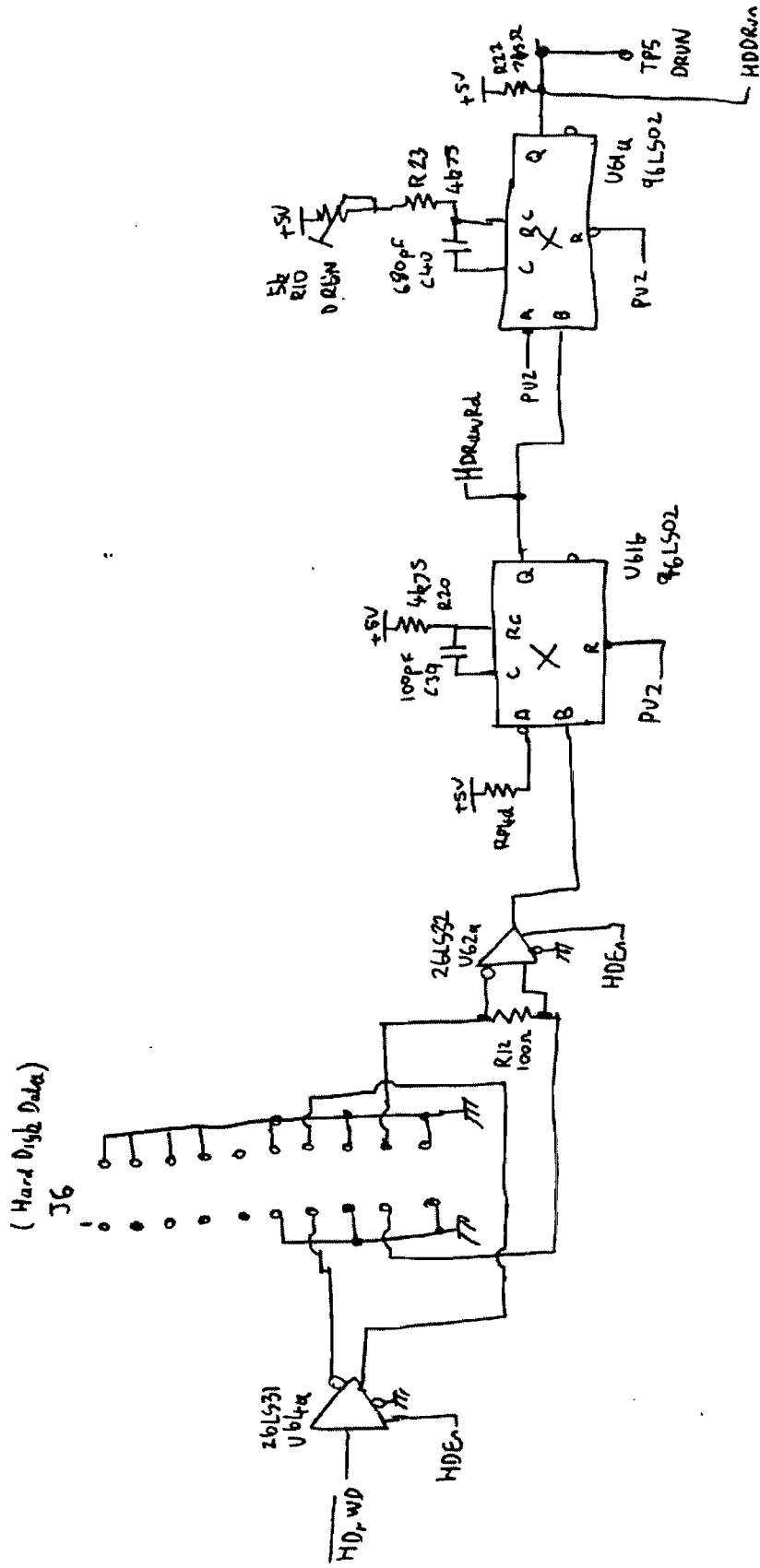


Floppy Disk Controller

HP9133 Controller Slot 8

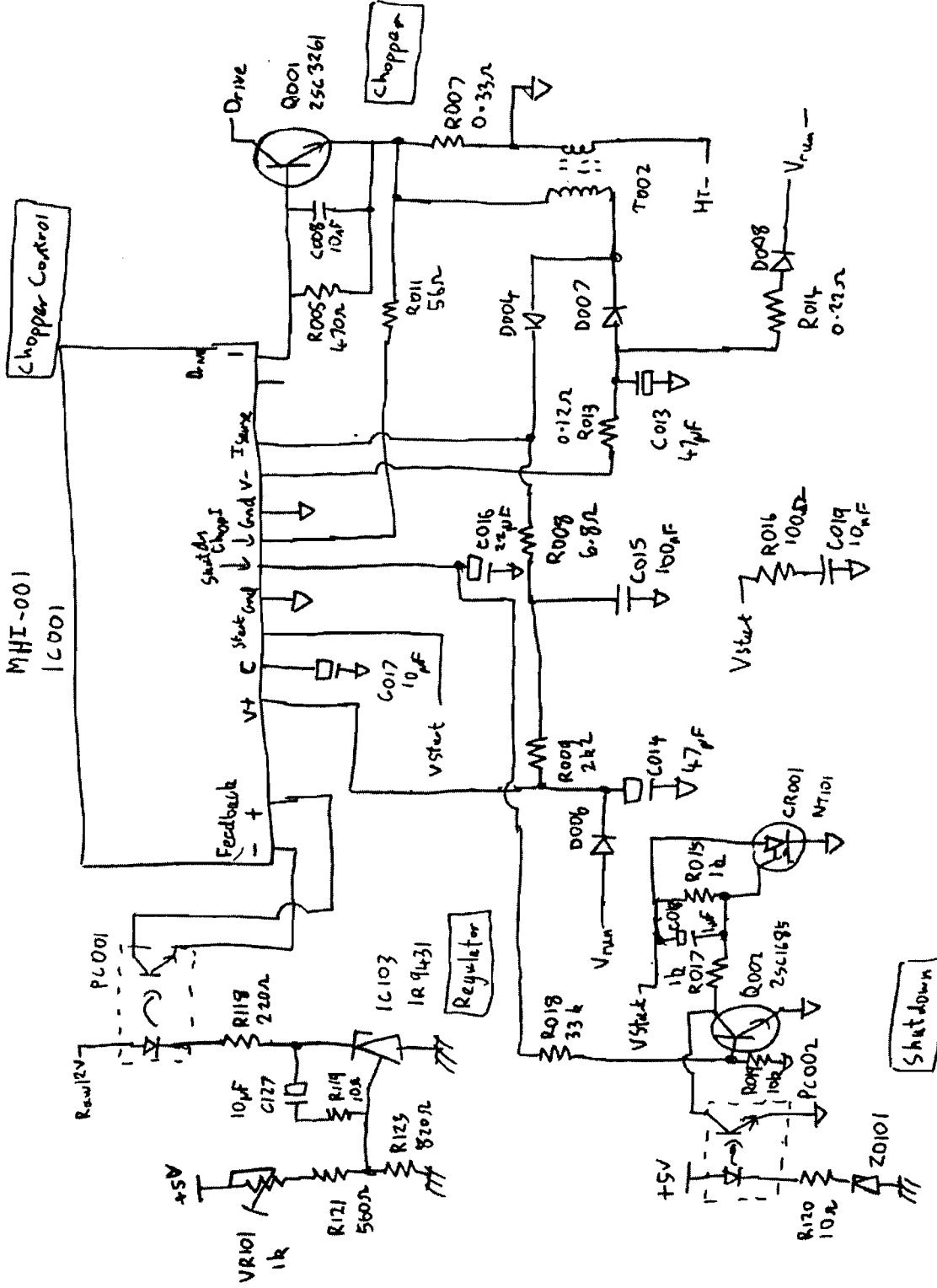


Hard Disk Write



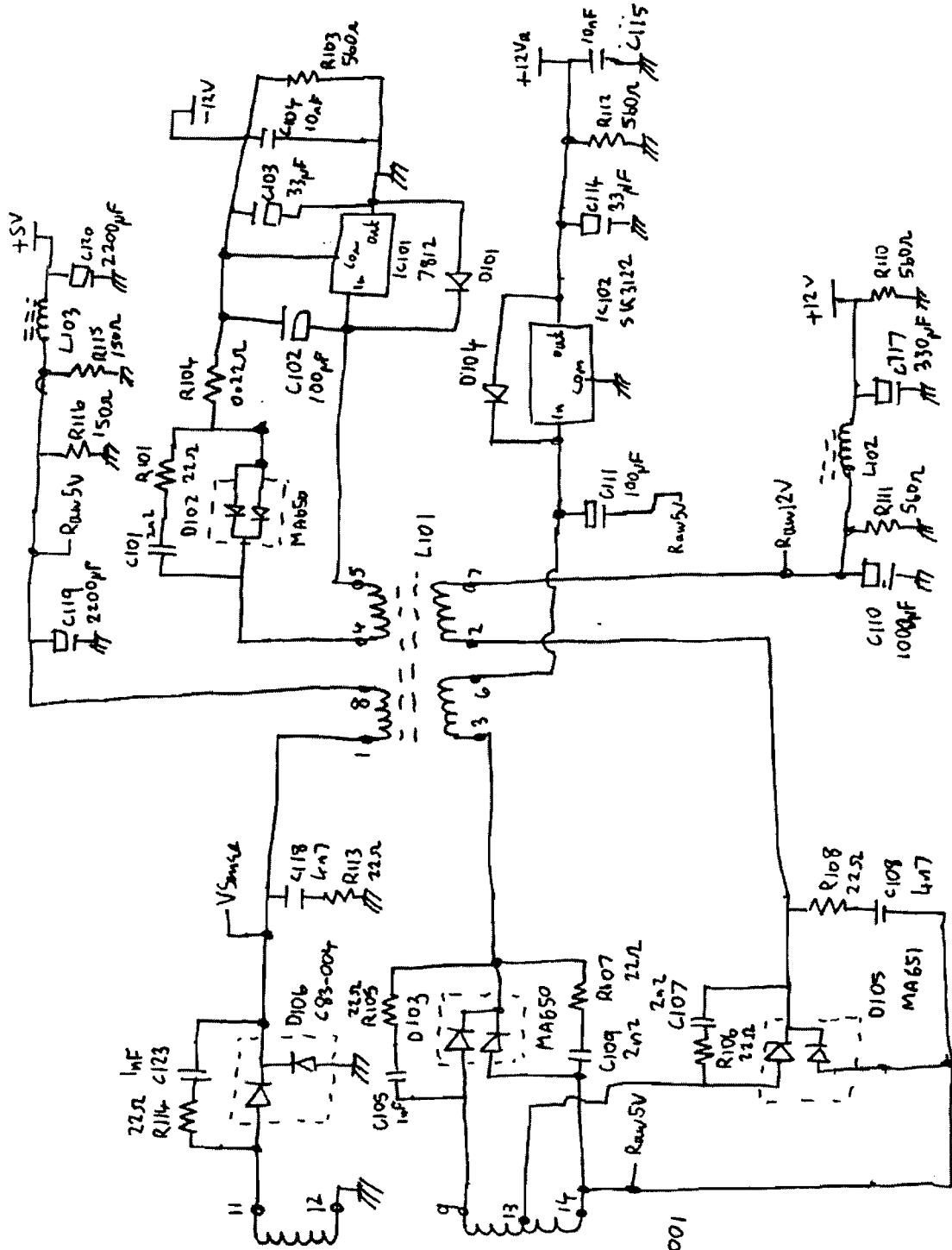
(Hard Disk Data)
J6

Hard Disk Data

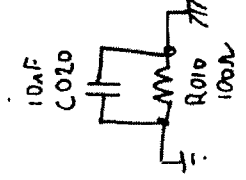
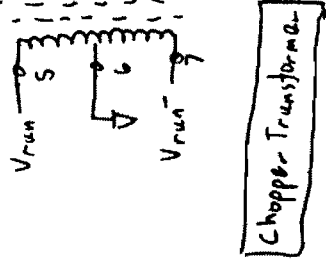
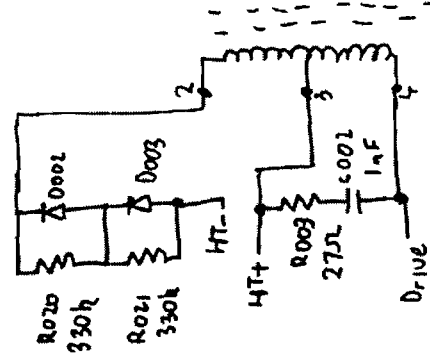


ETX-390D8M

MP9133 PSU sheet 2

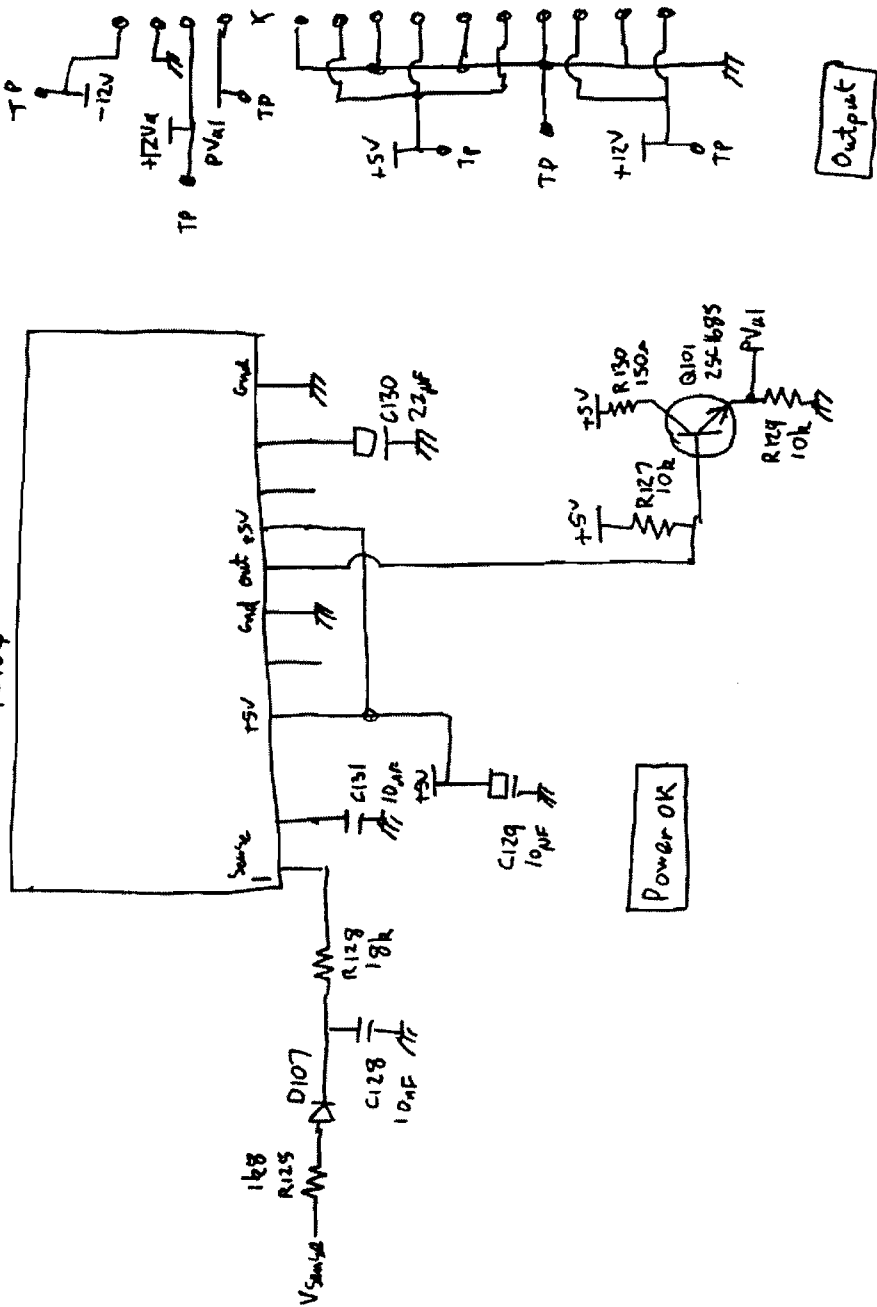


DC output



ETX-340DBM

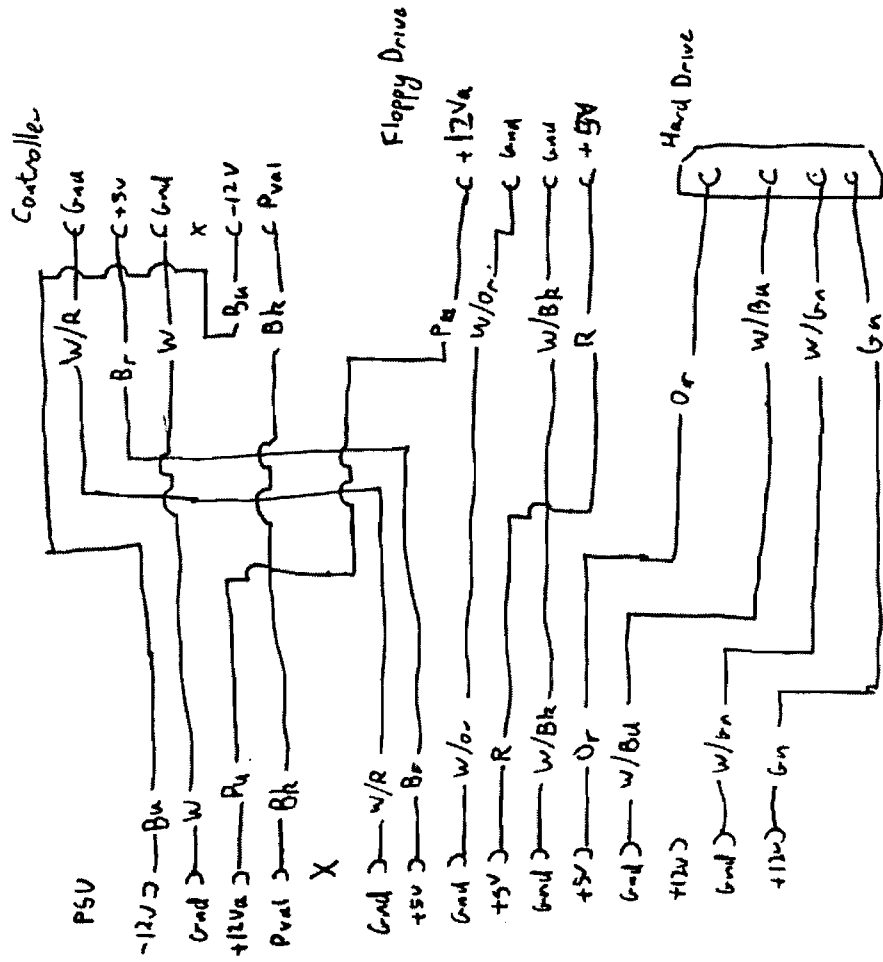
MHI-002
12104



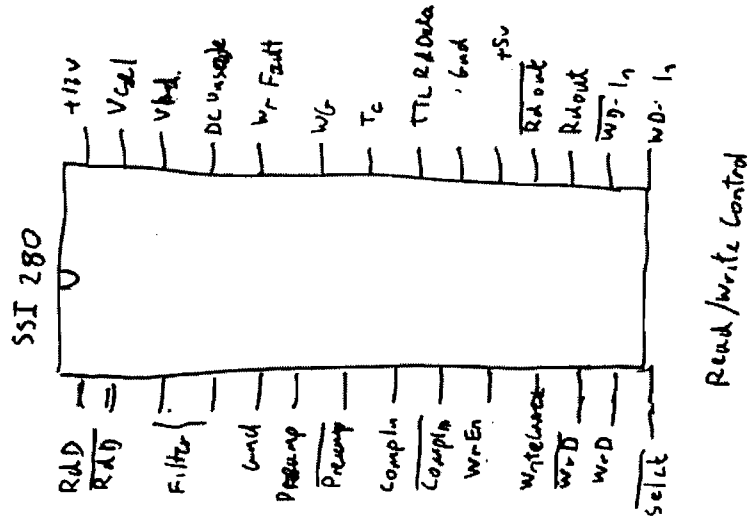
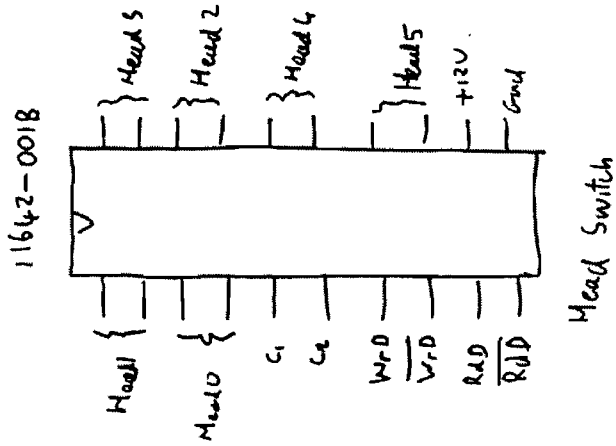
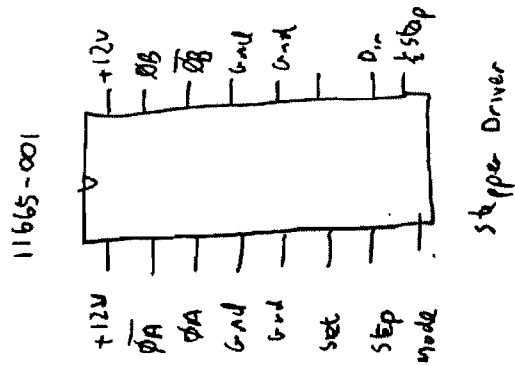
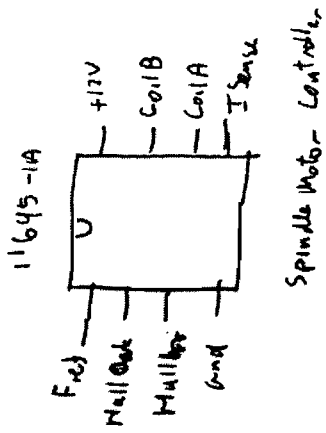
Power OK

Output

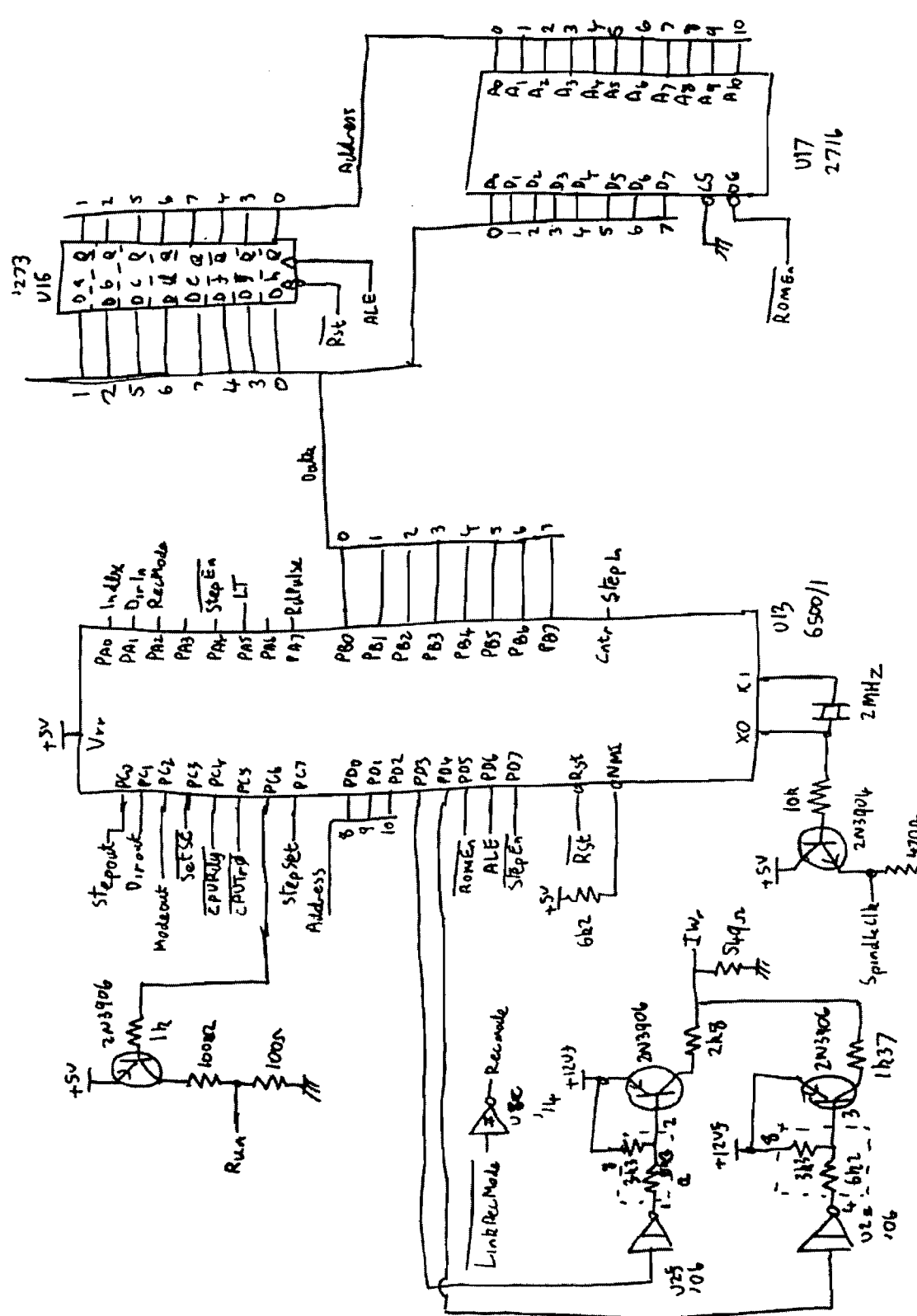
ETX-390 D8M
HP 9133 PSU Sheet 4



HP9133 Power Cable

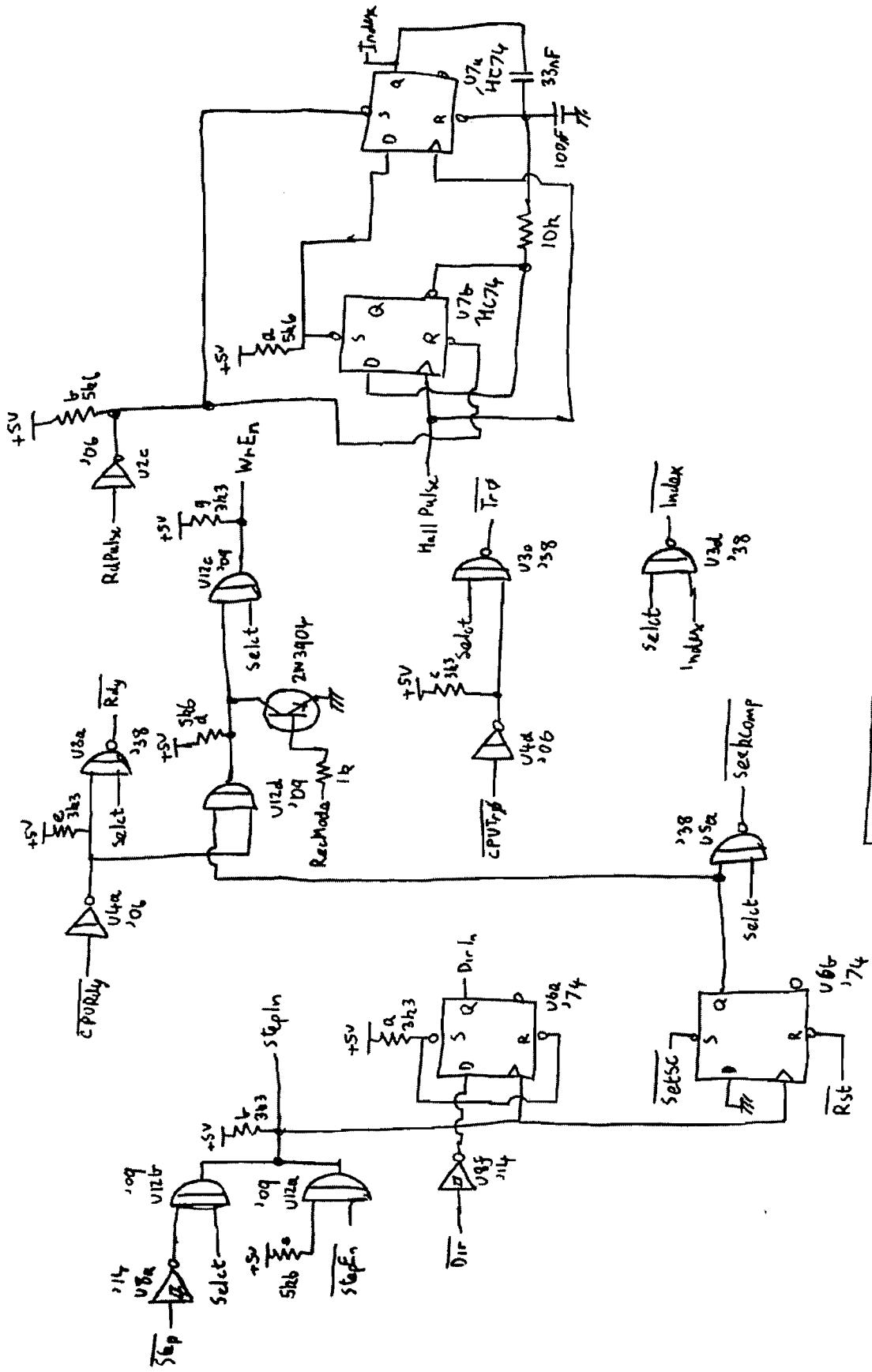


ST 225 165

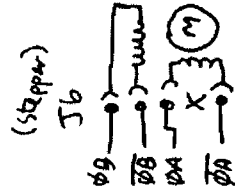
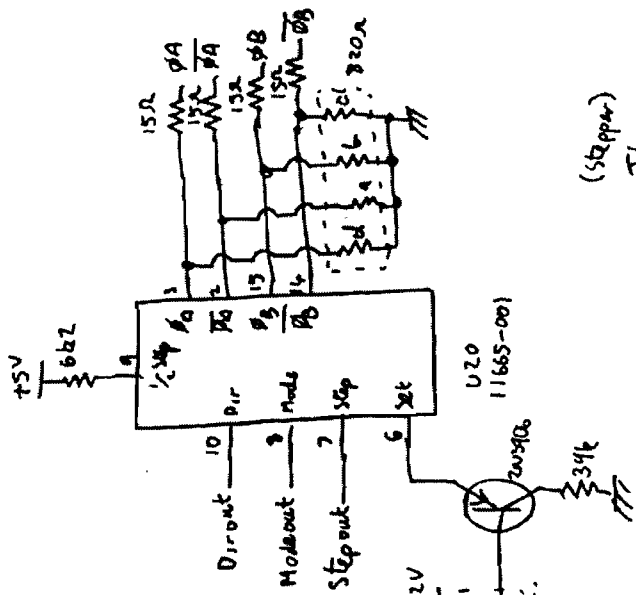


Micro Controller

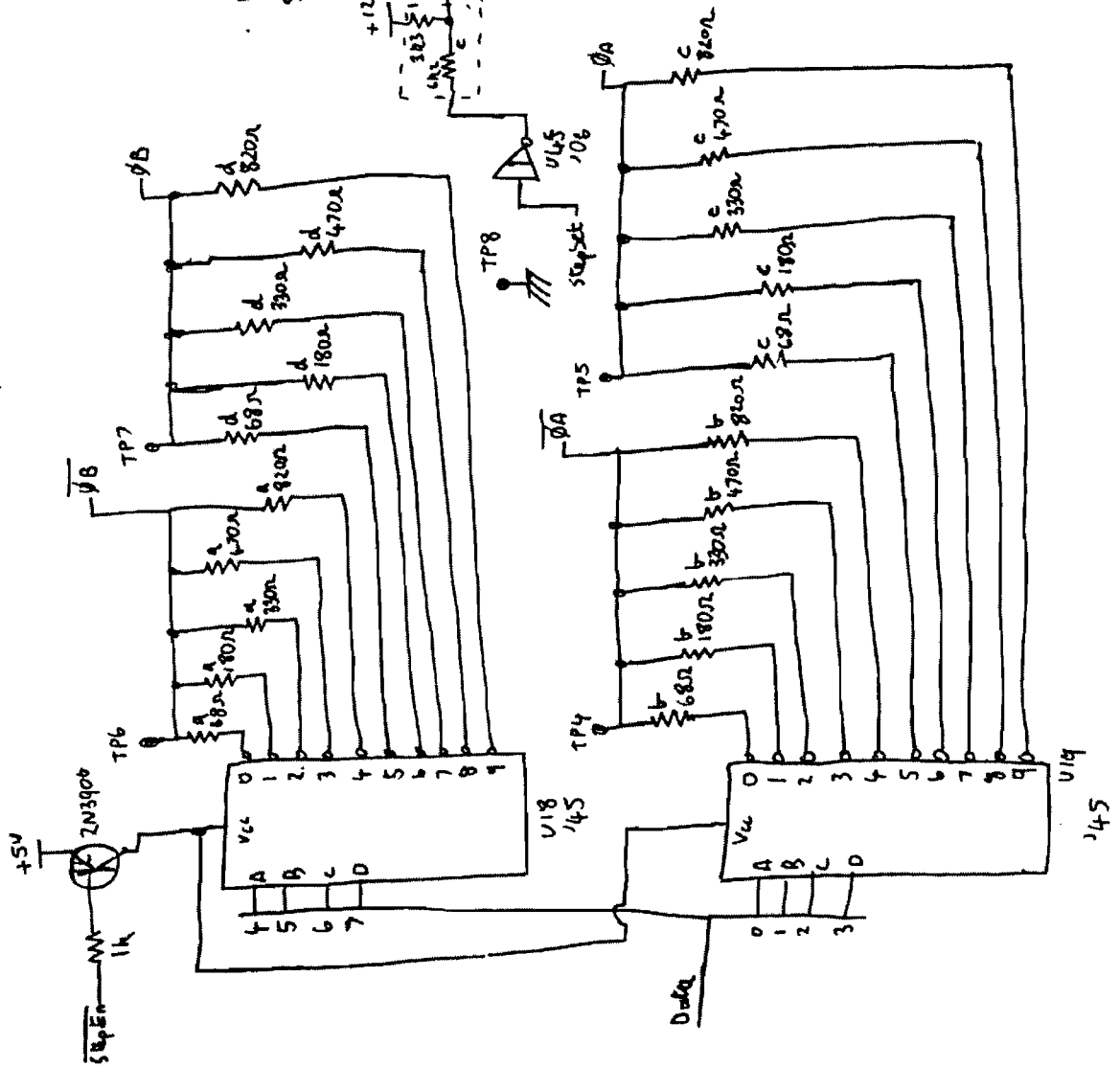
Write Current

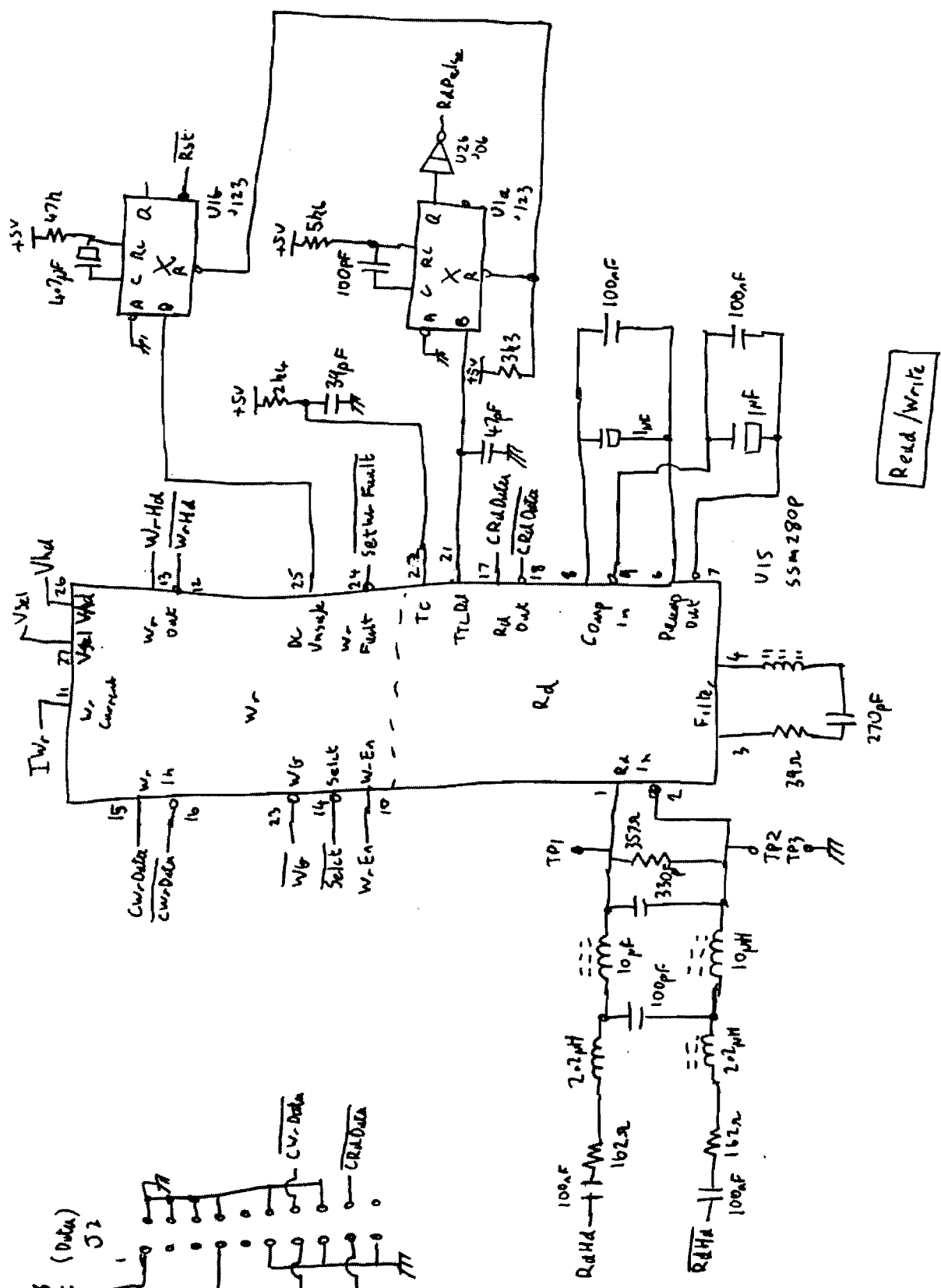
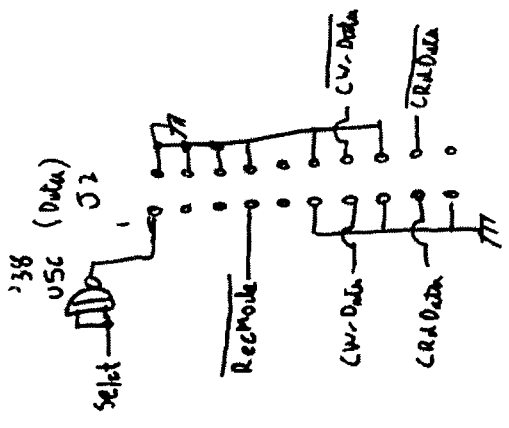


Control Interface

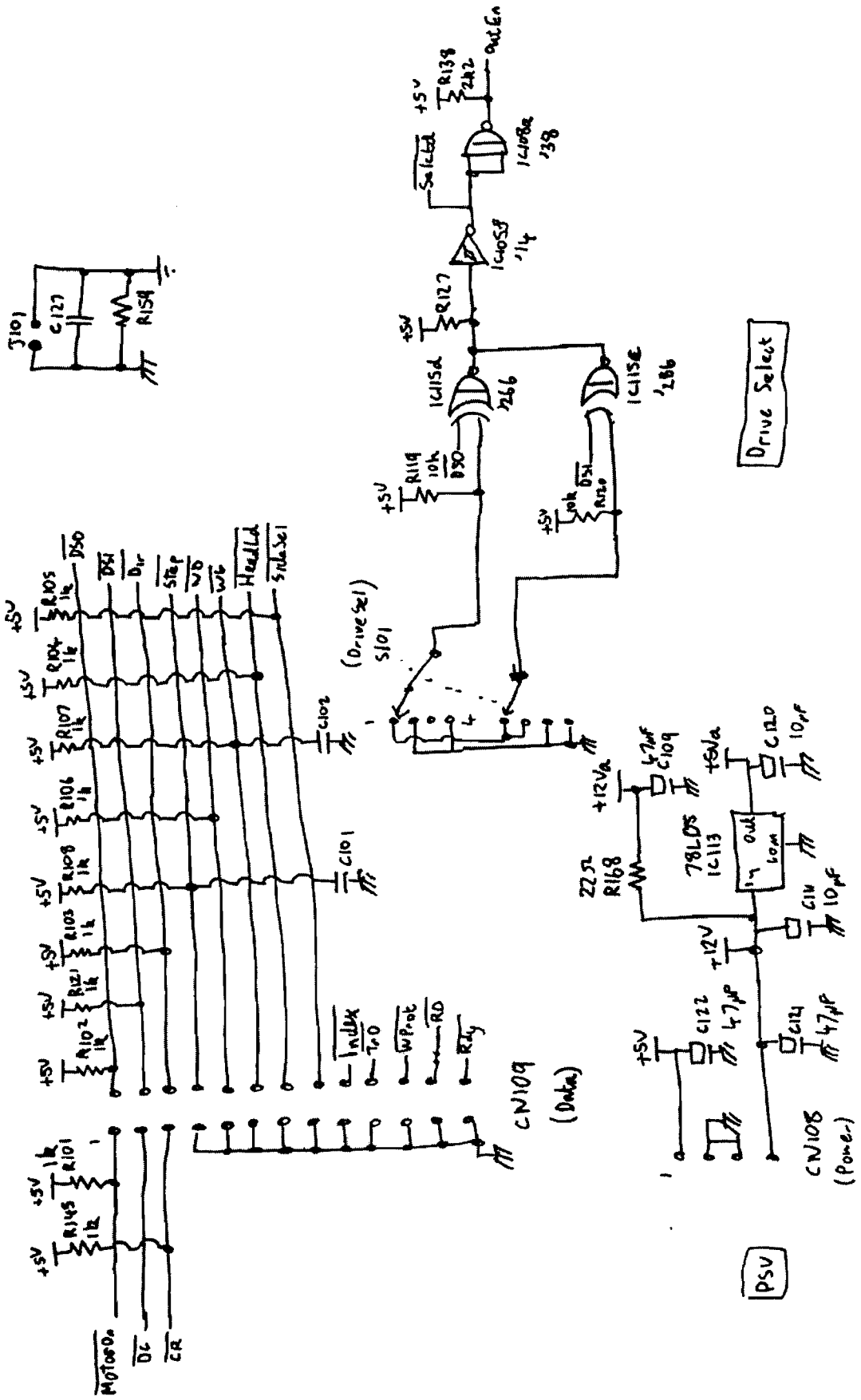


Stepper Driver

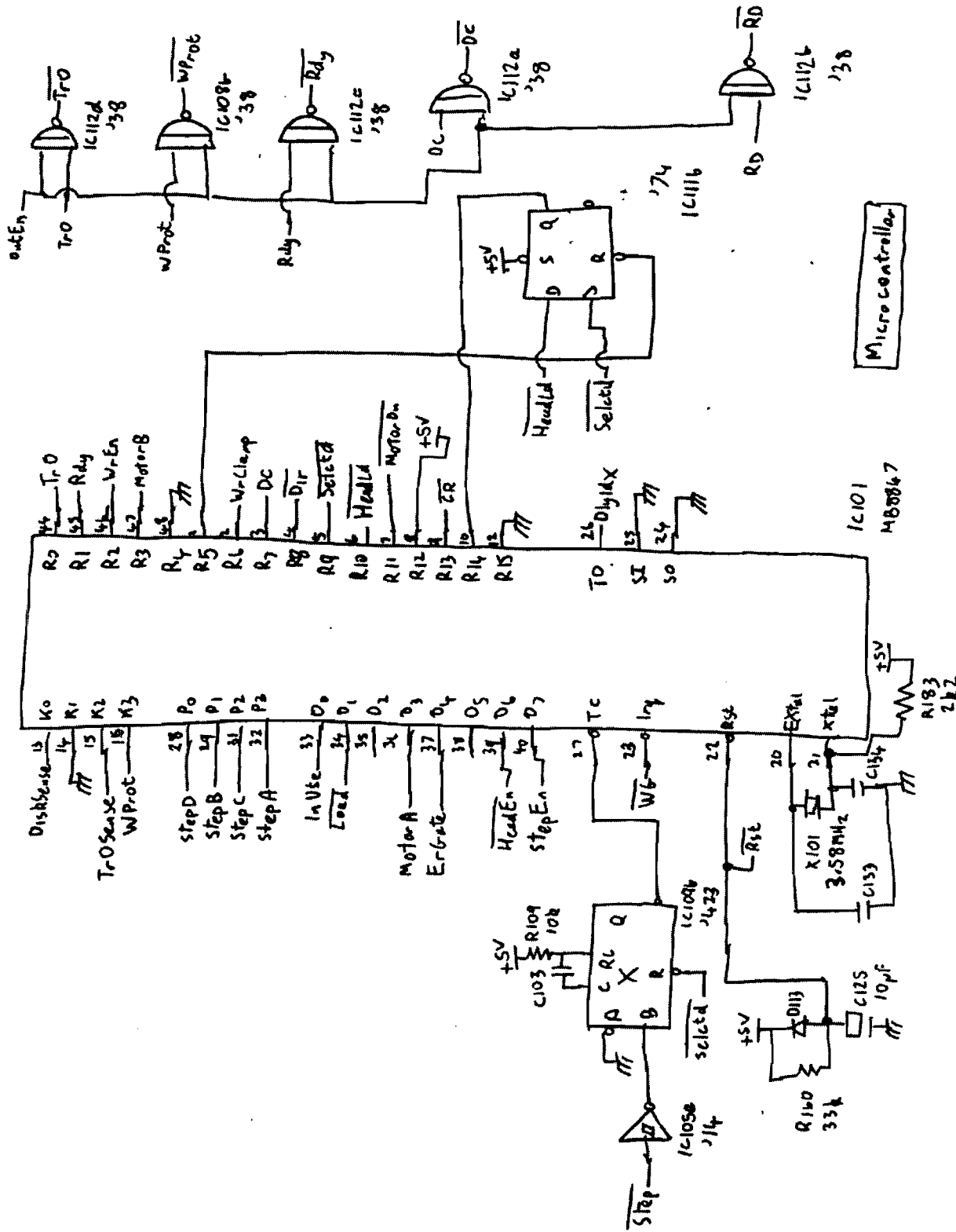




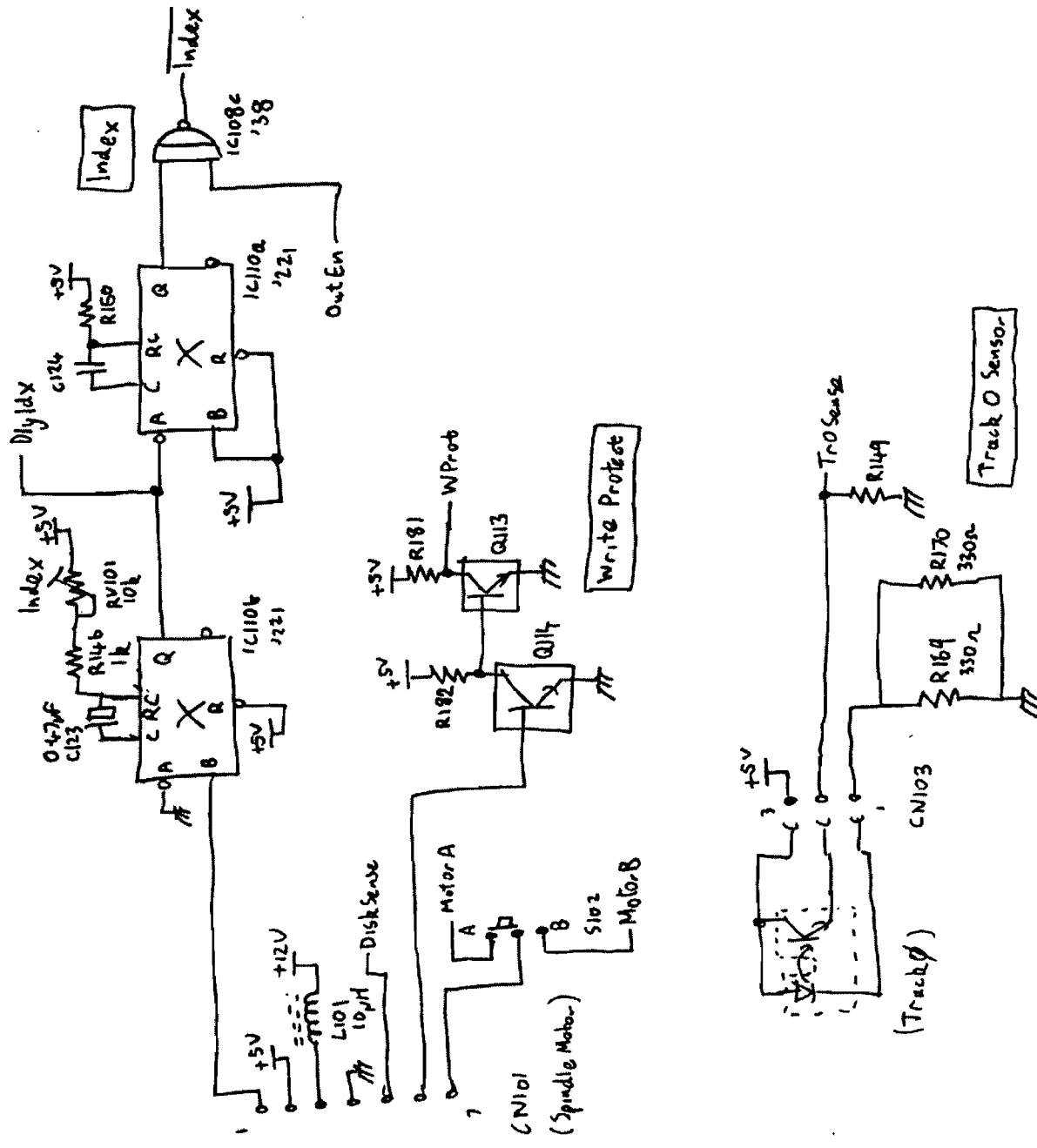
ST225 sheet 7



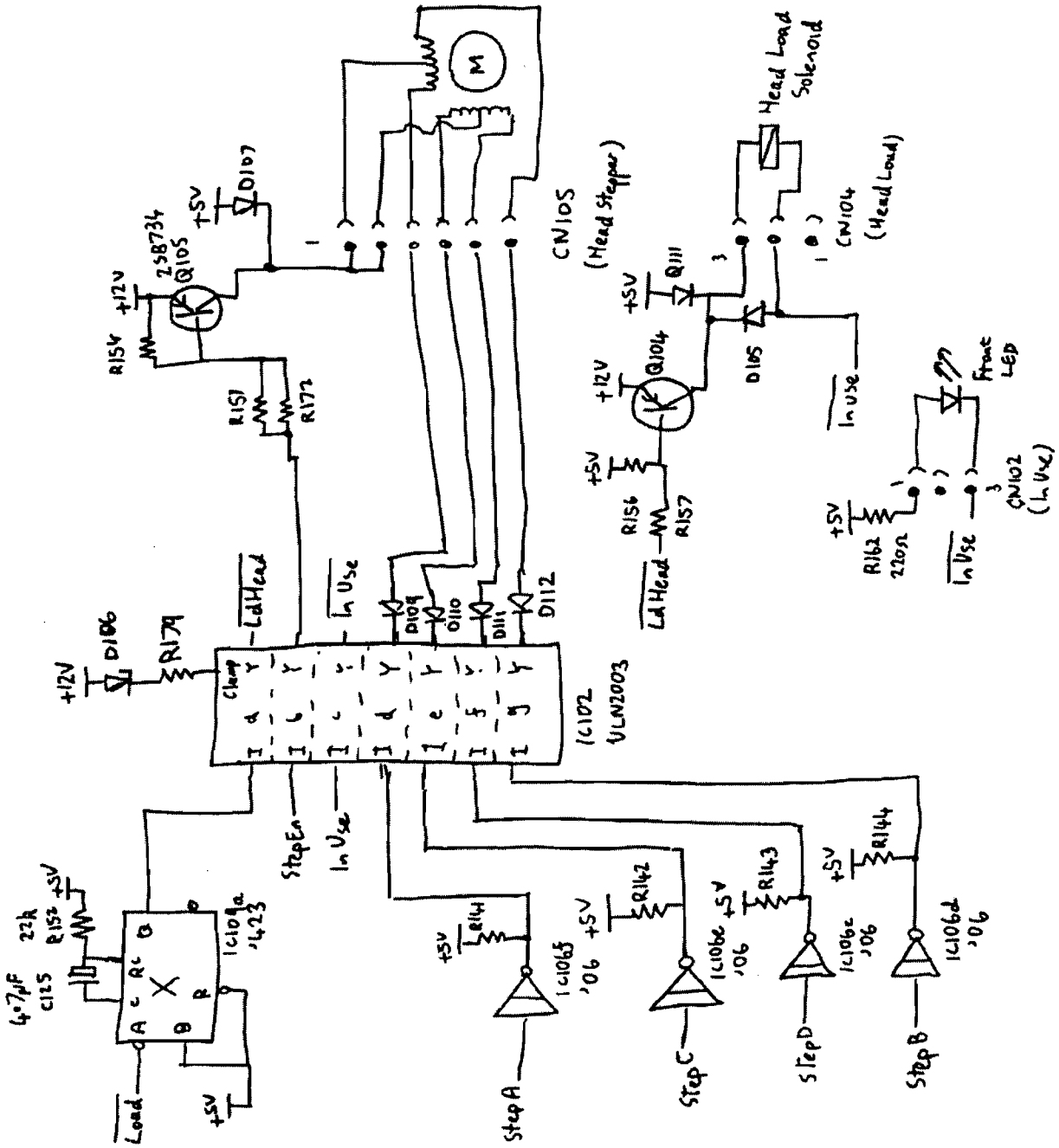
Sony Floppy Drive Logic Board FC9 Sheet 1

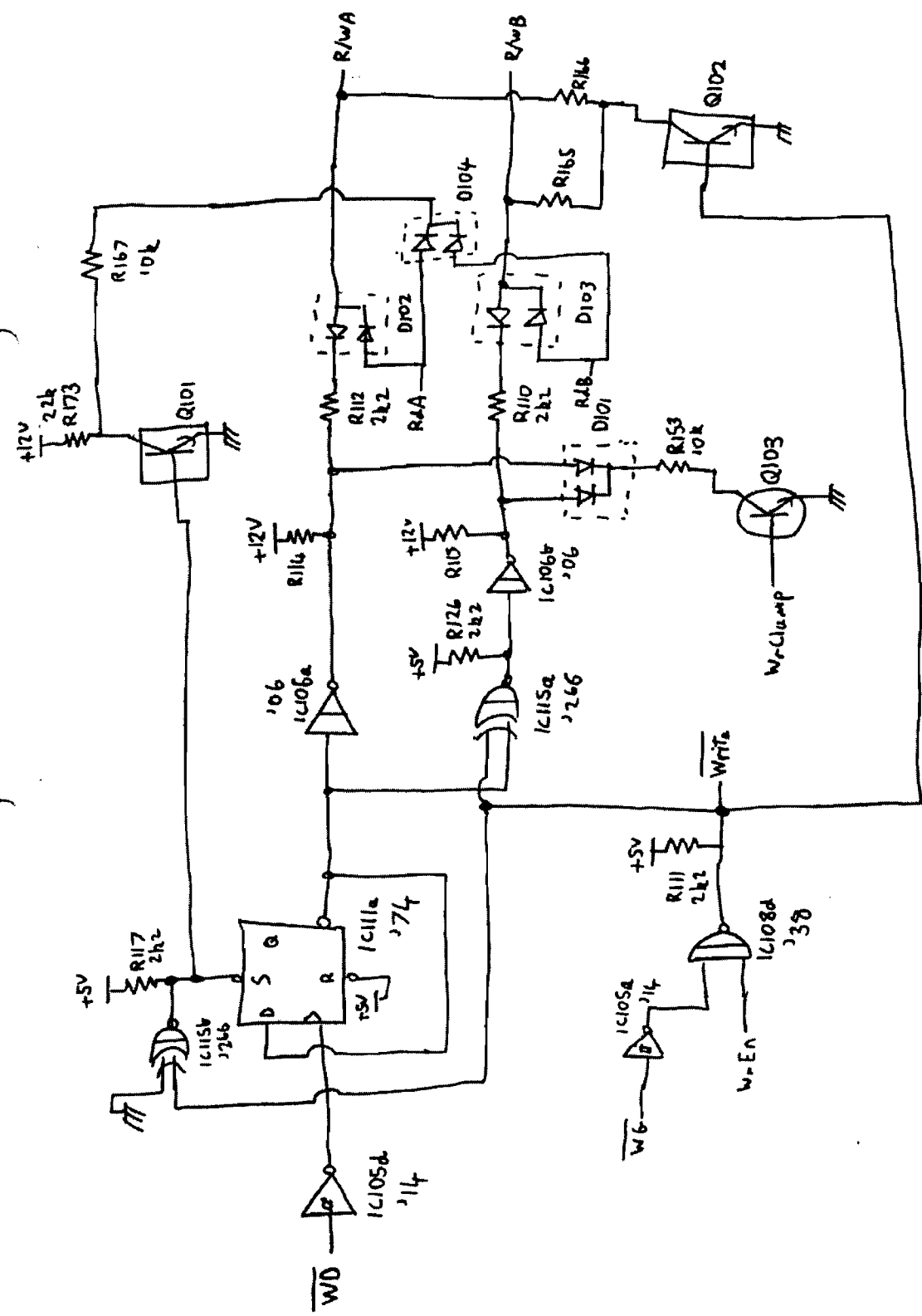


Sony Floppy Drive Logic Board FC9 Slant ②

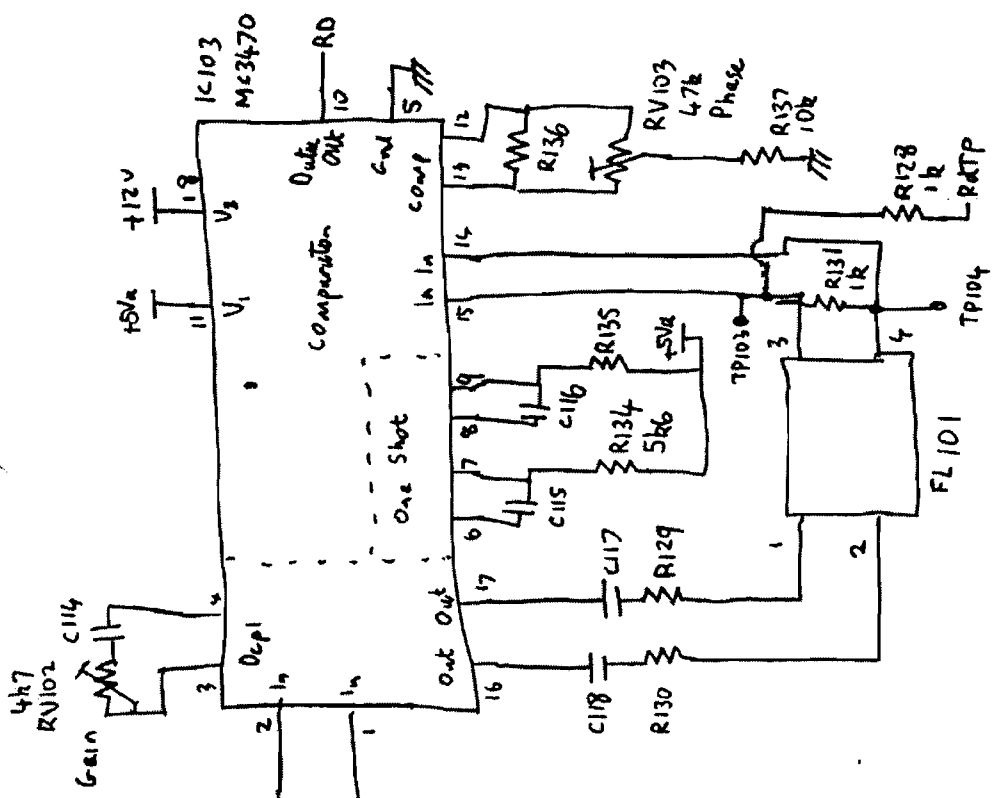


Sony Floppy Drive Logic Board FC9 Sheet ③

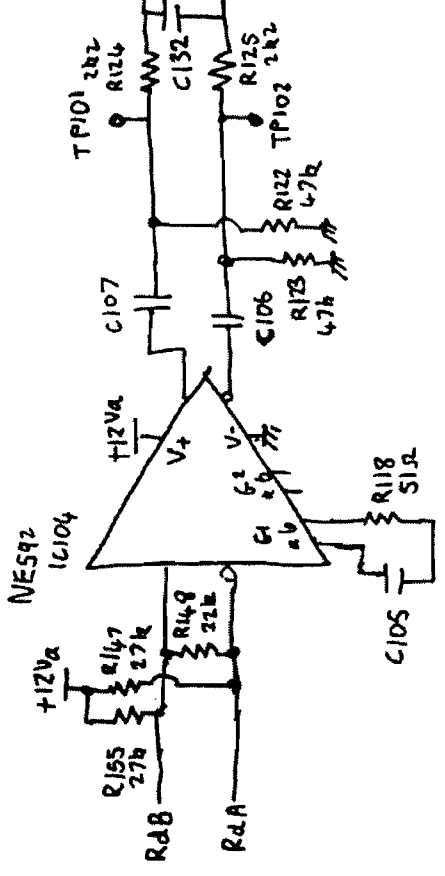


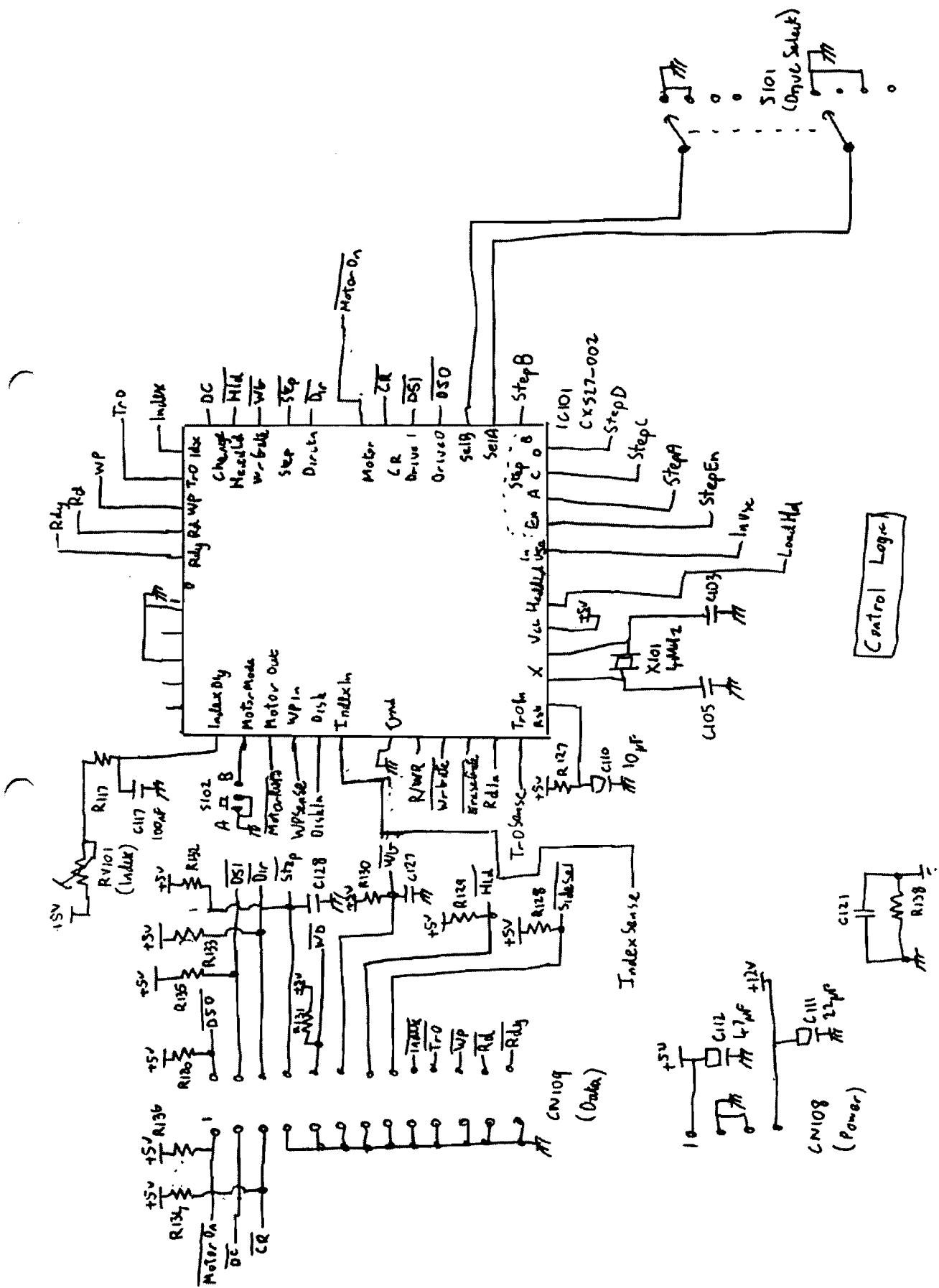


Write

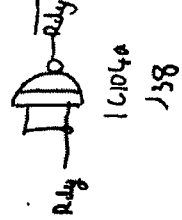
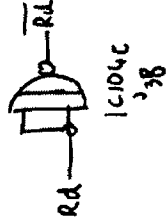
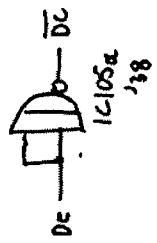
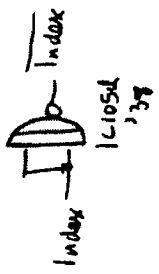


Read

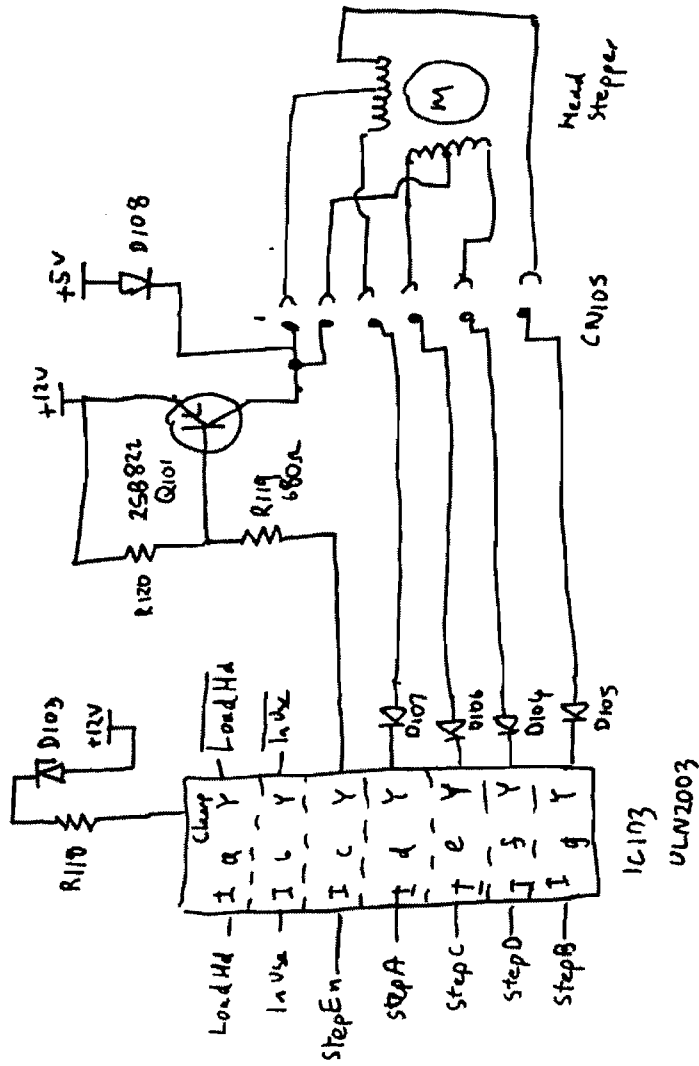




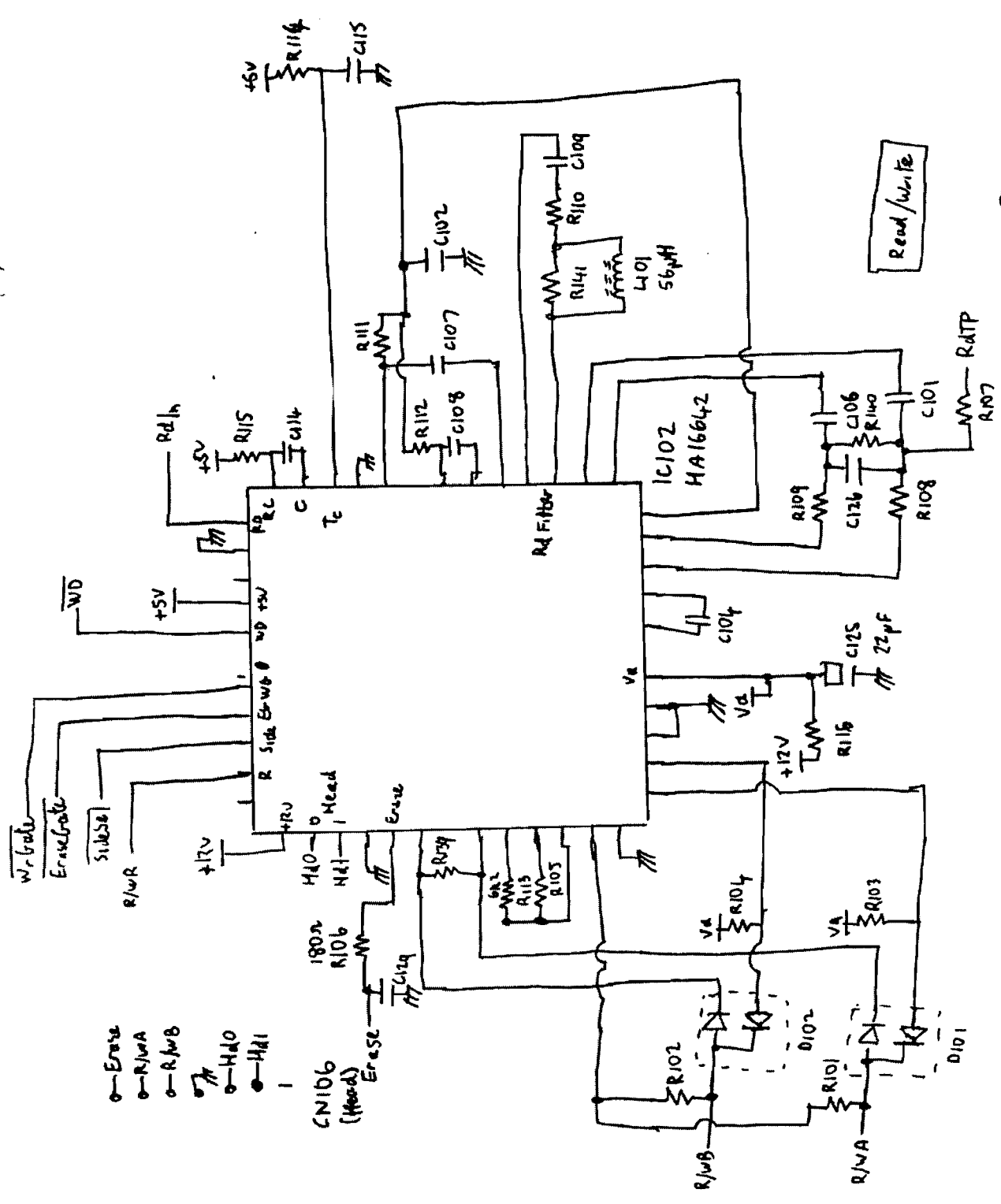
Sony Floppy Drive Logic Board FC16 Sheet 1



Interface Output

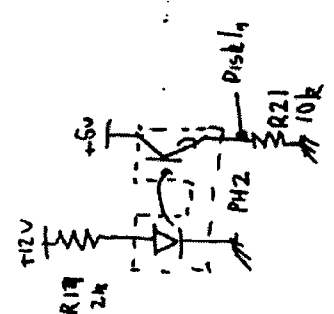
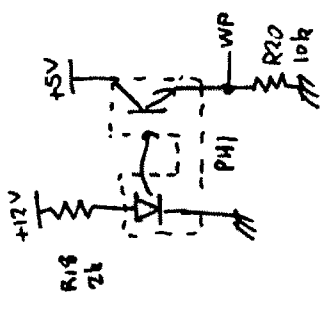


Stepper Driver

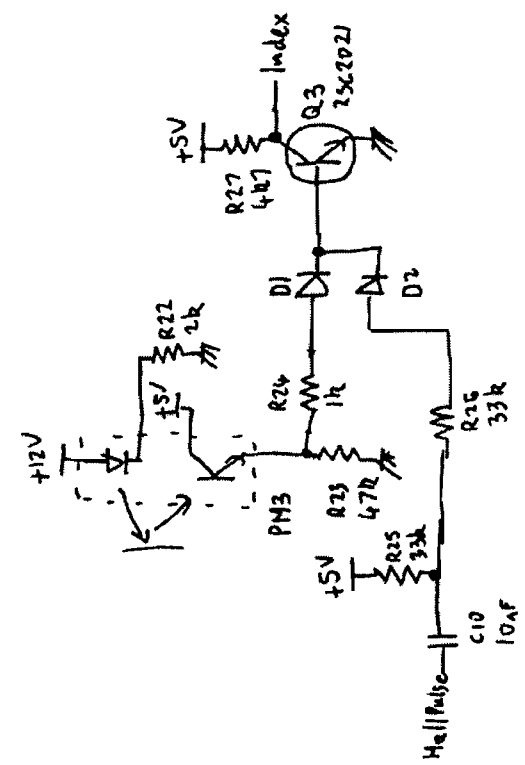
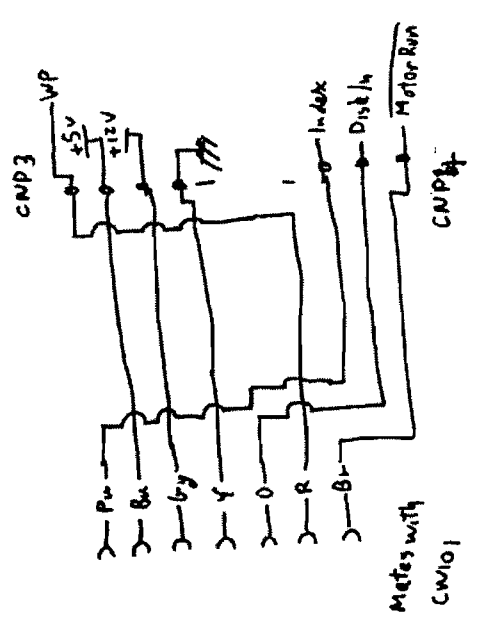


- Erase
- R/WA
- R/WB
- H40
- H41

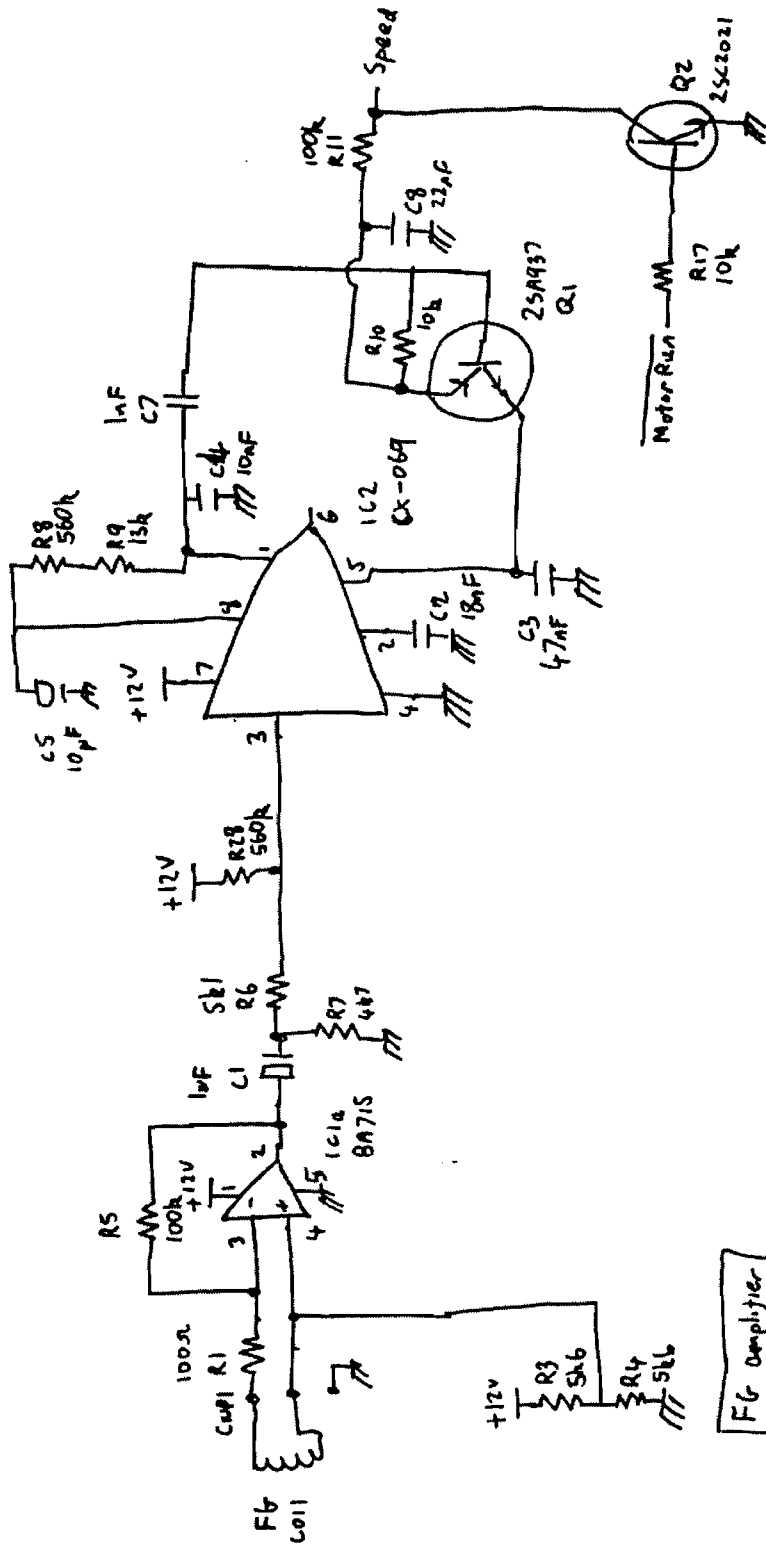
CN106 (Hood)



Sensors



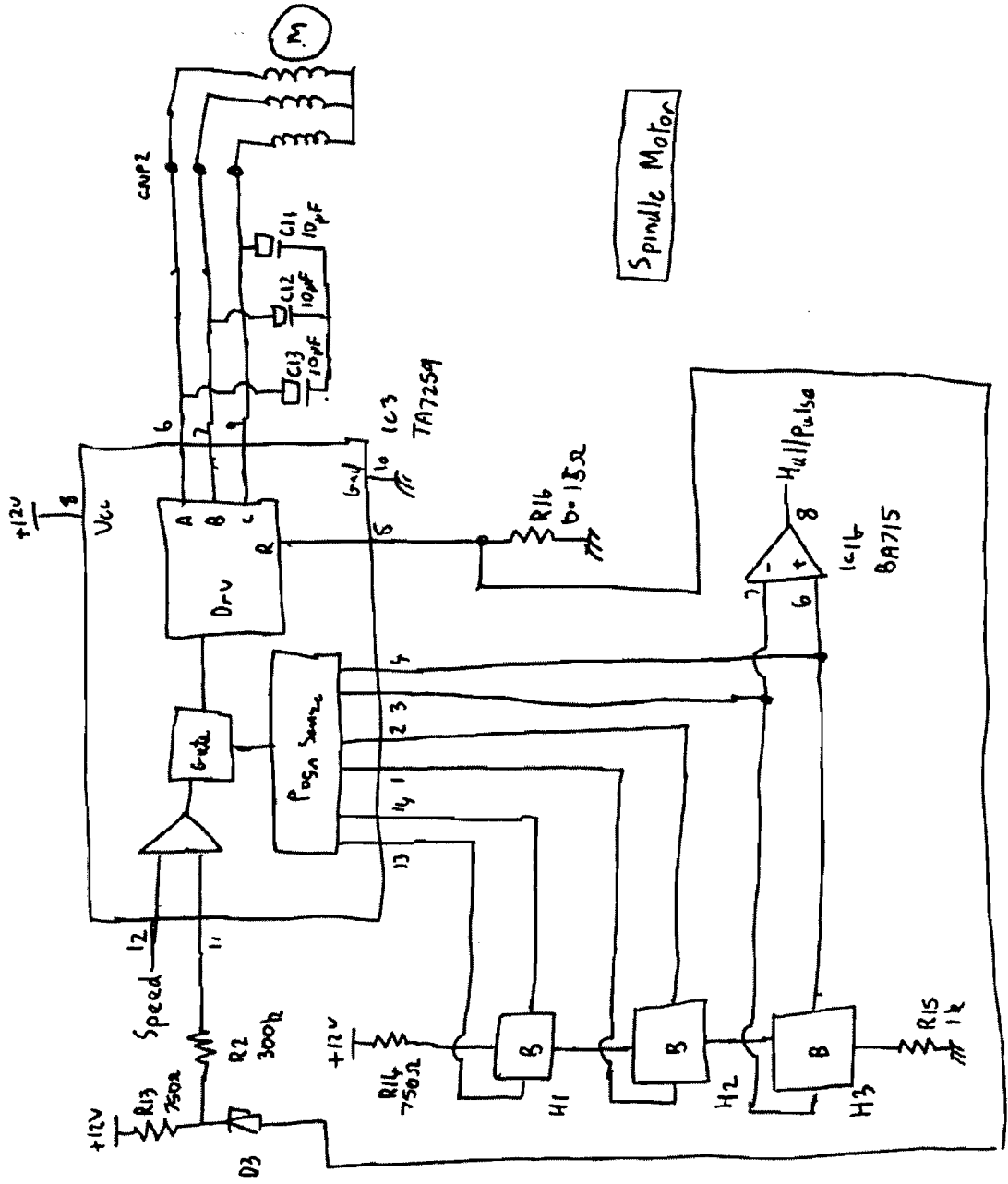
Sony Floppy Drive Spindle Motor Sheet 1



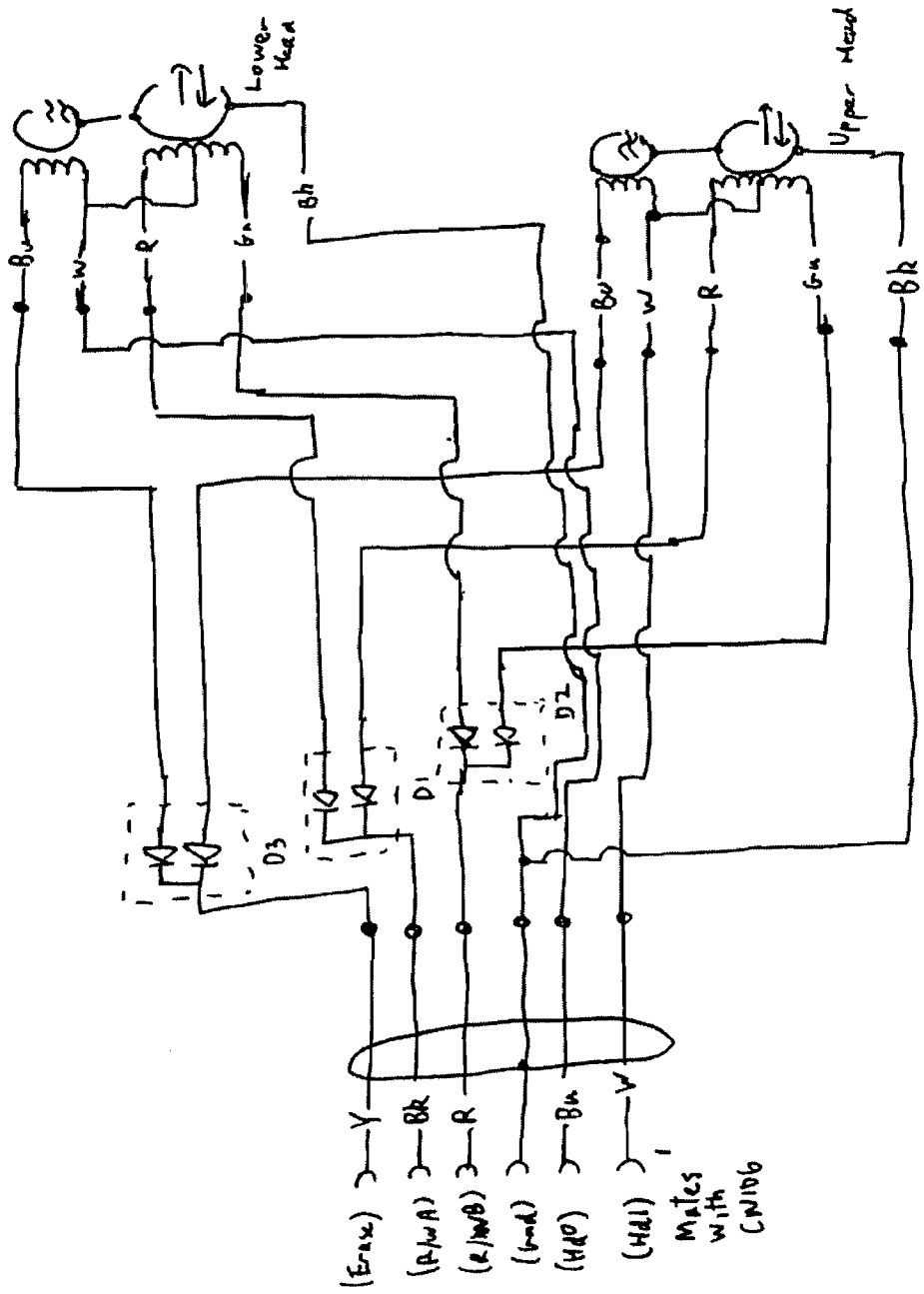
Spindle Speed

FG Amplifier

Sony Floppy Drive Spindle Motor slot 2



Sony Floppy Drive Spindle Motor Sheet ③



Sony Floppy Drive Double-Sided Head