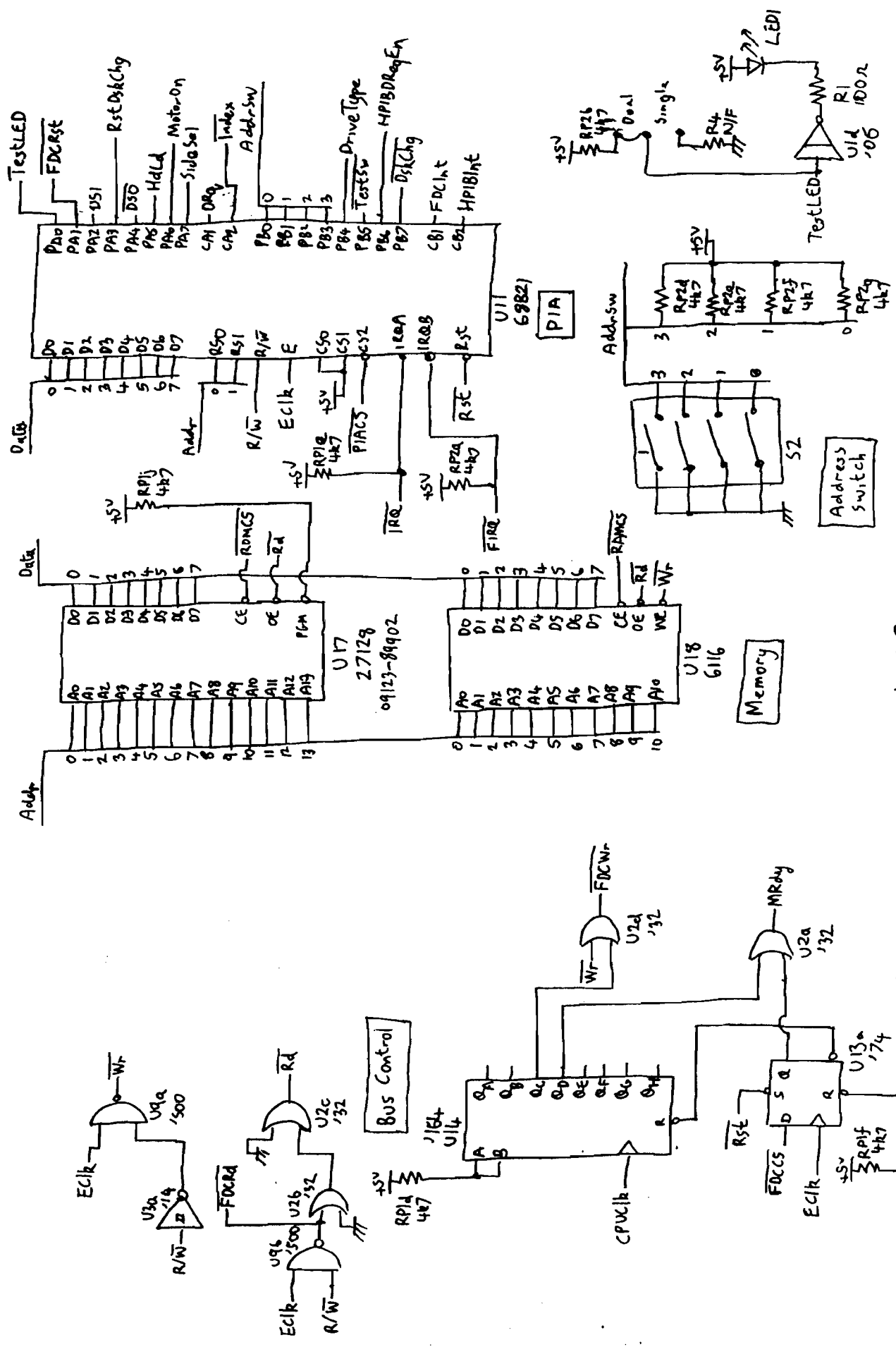
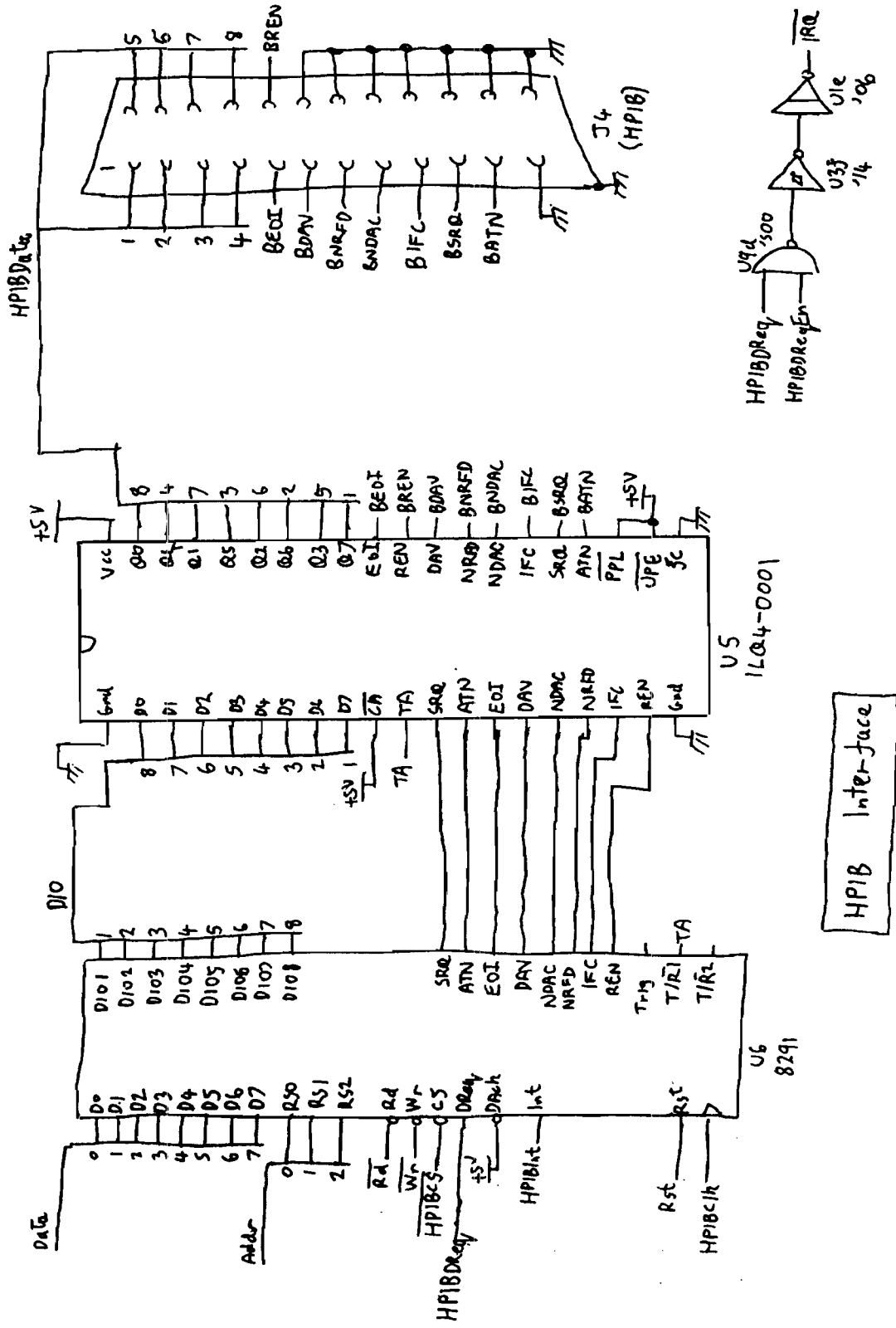


HP9123 Controller PCB Sheet 1 09123-26501

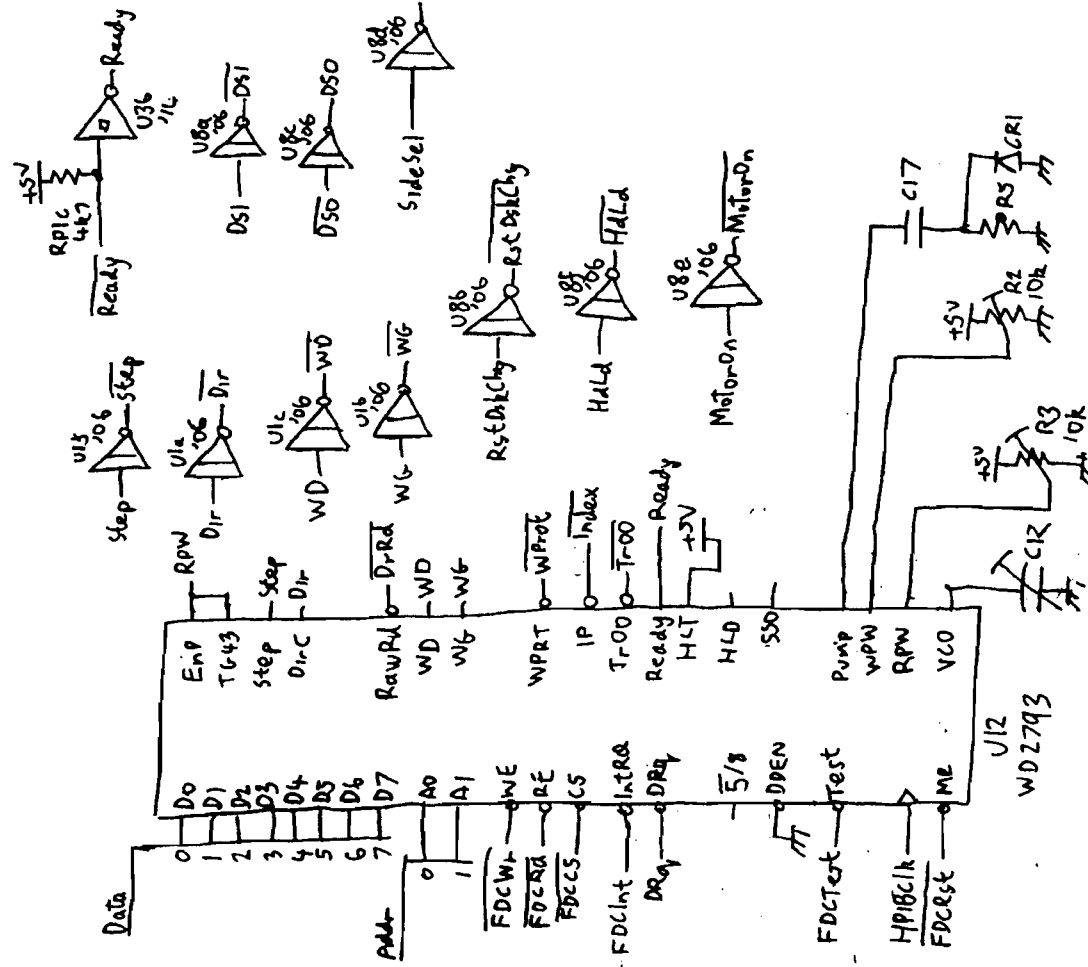
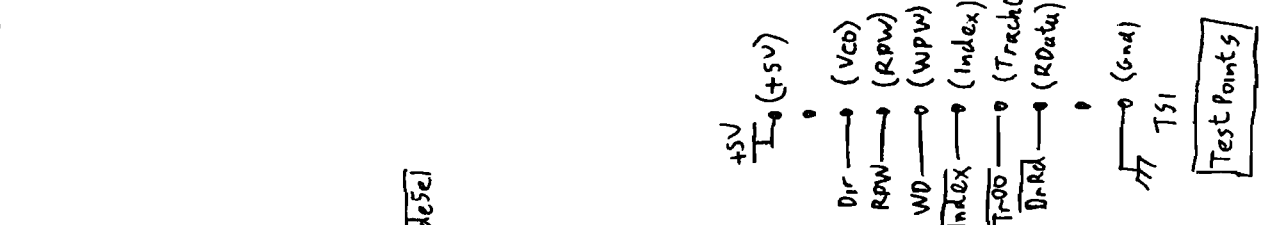
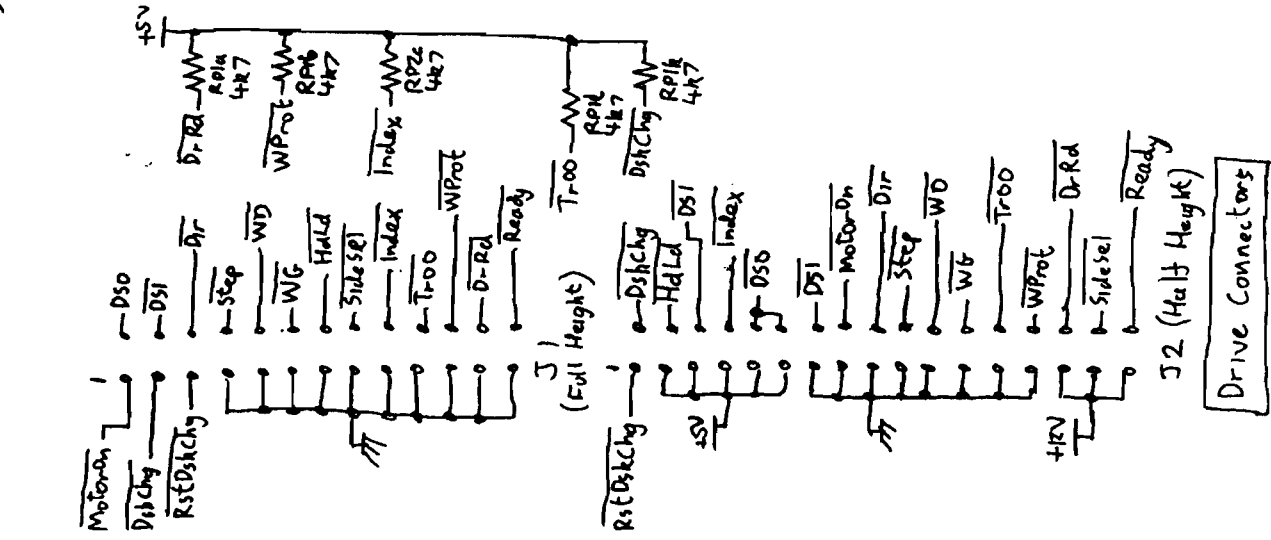


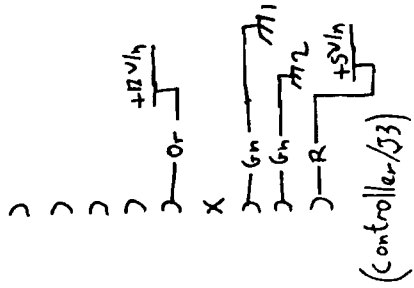
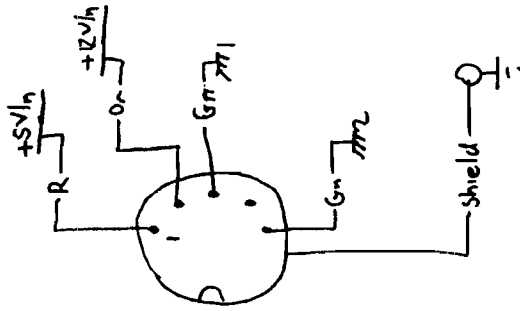
HP9123 Controller PCB Sheet 2

09123-26501

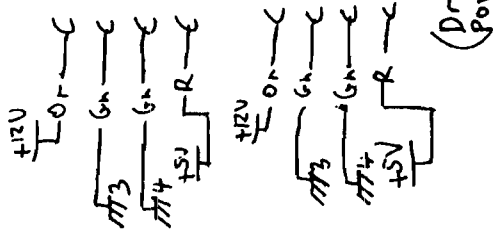
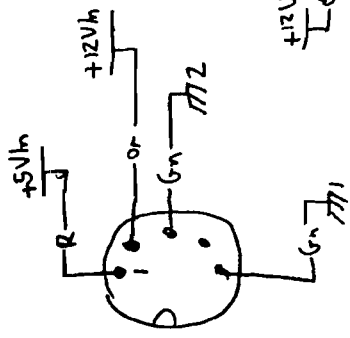


HPiB Interface

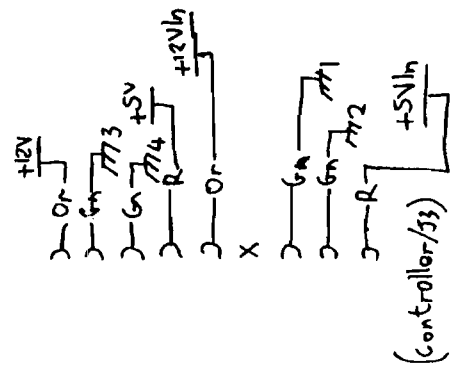




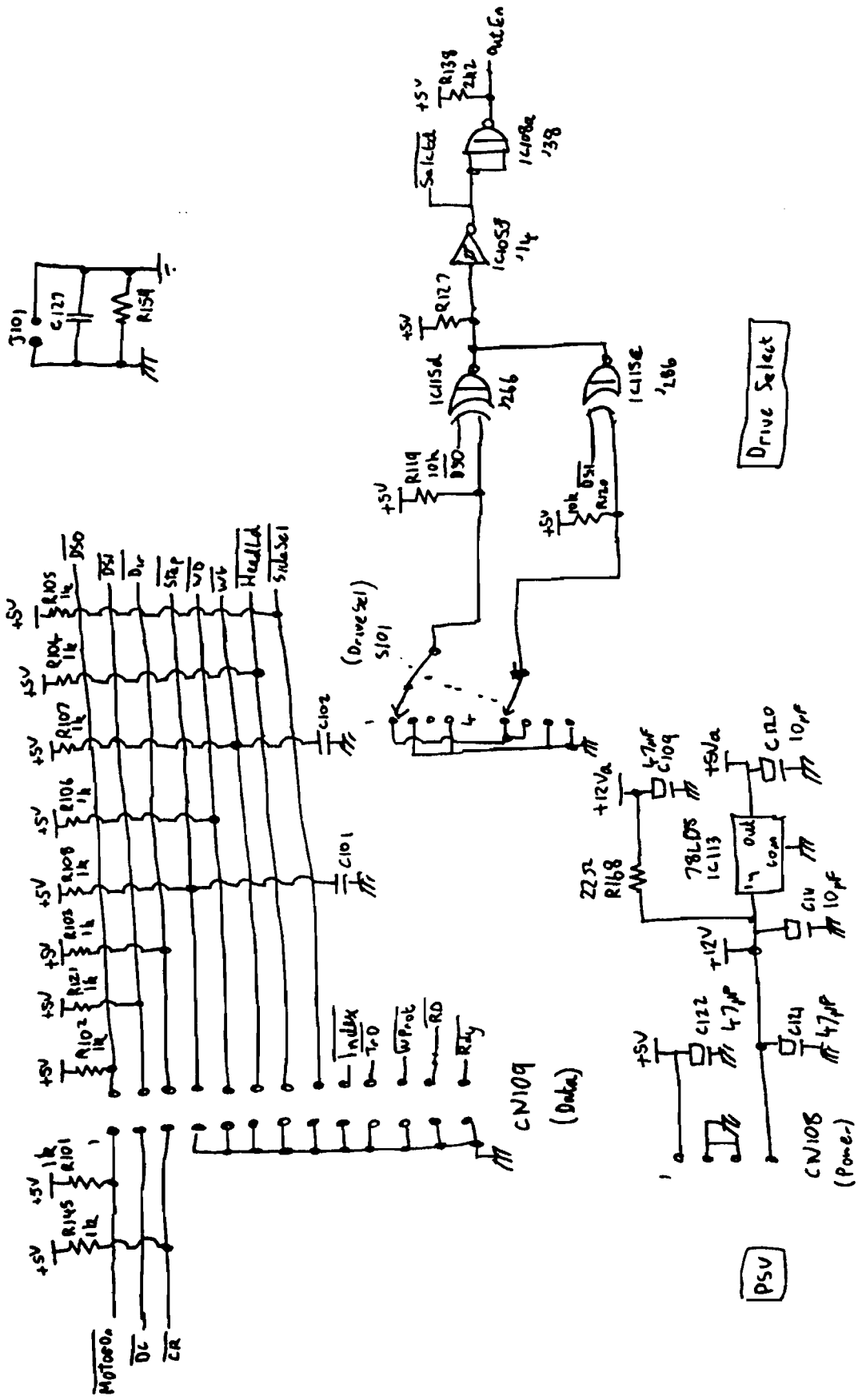
Half Height Driver

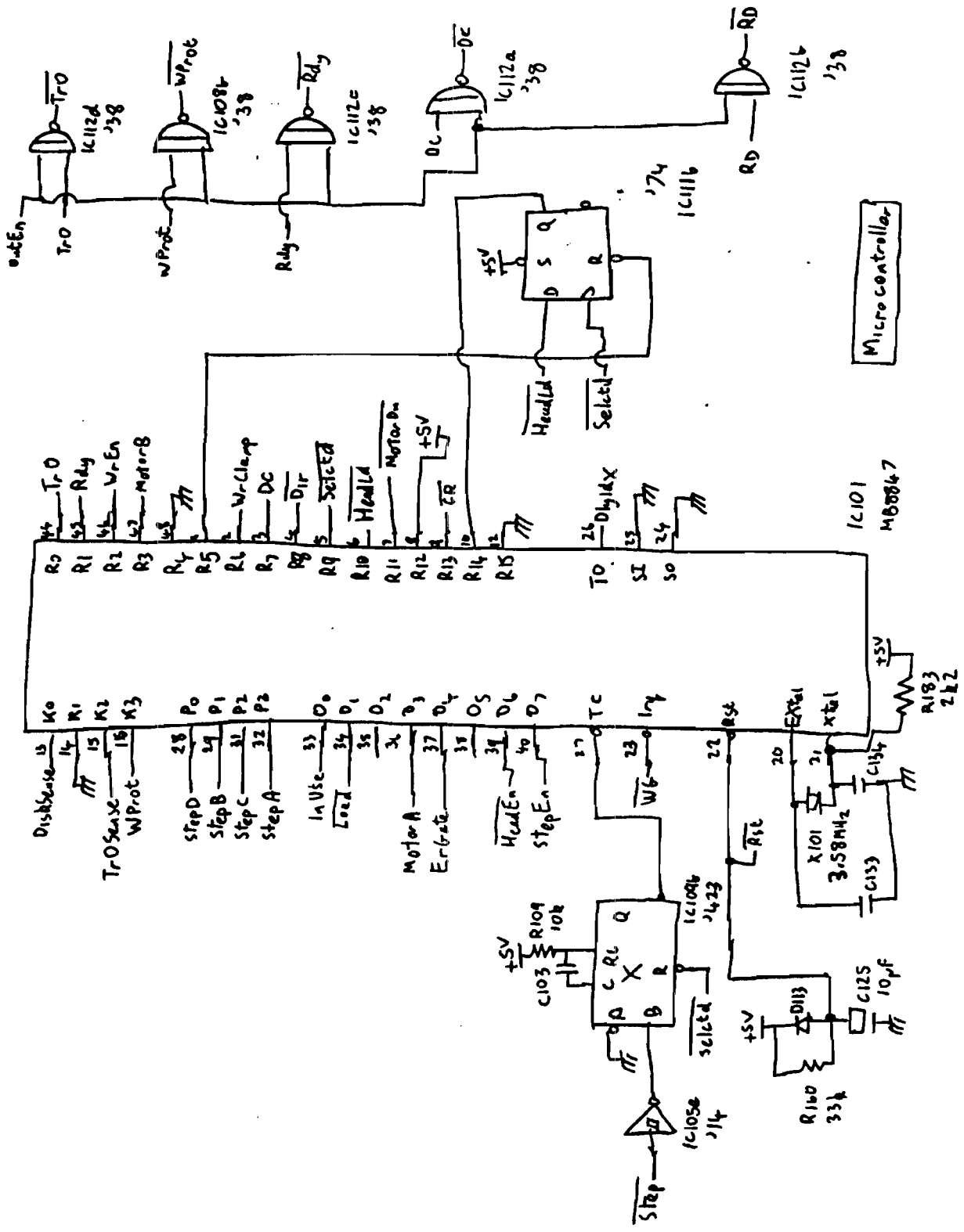


Full Height Driver

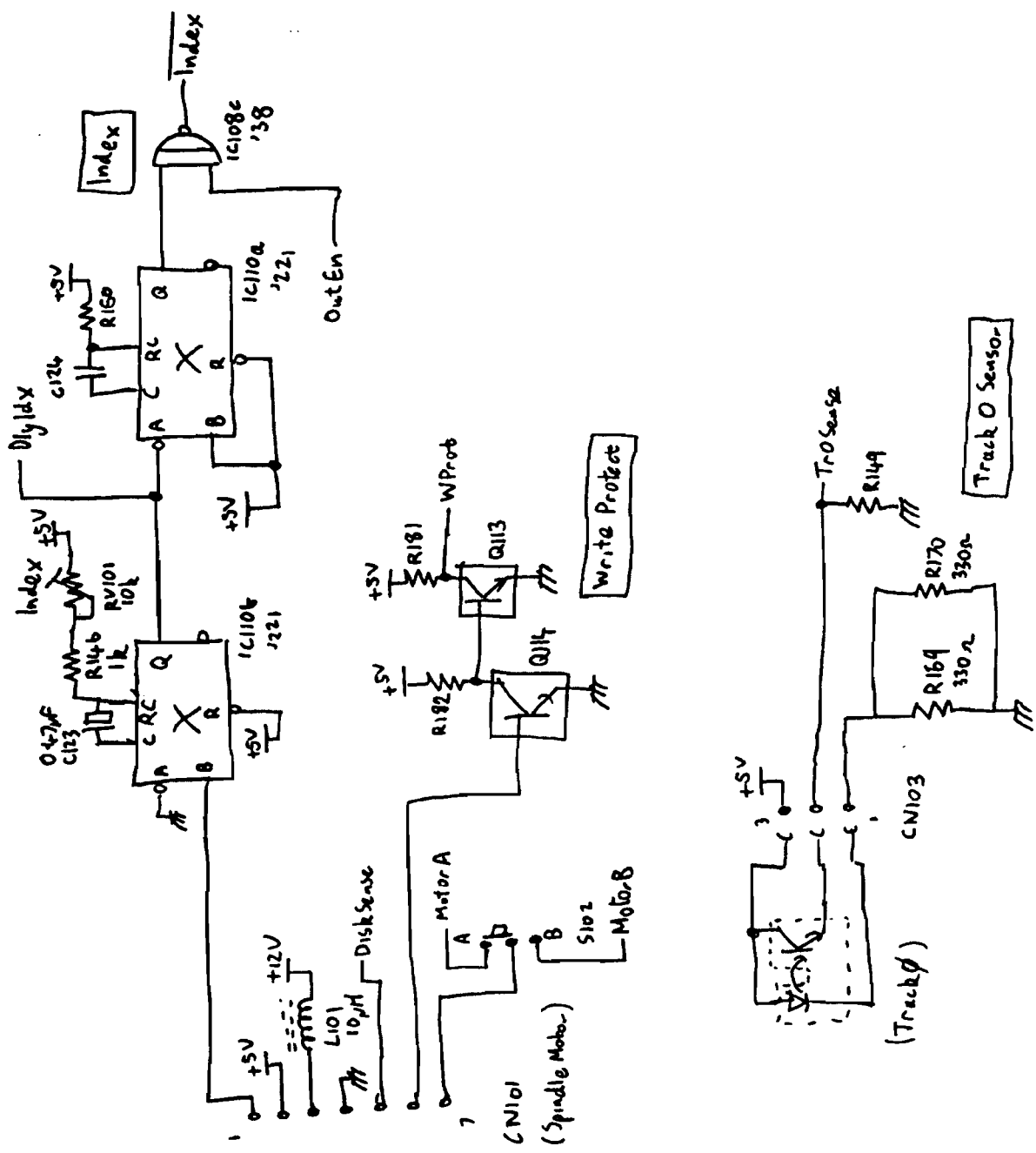


HP9123 Power Cable

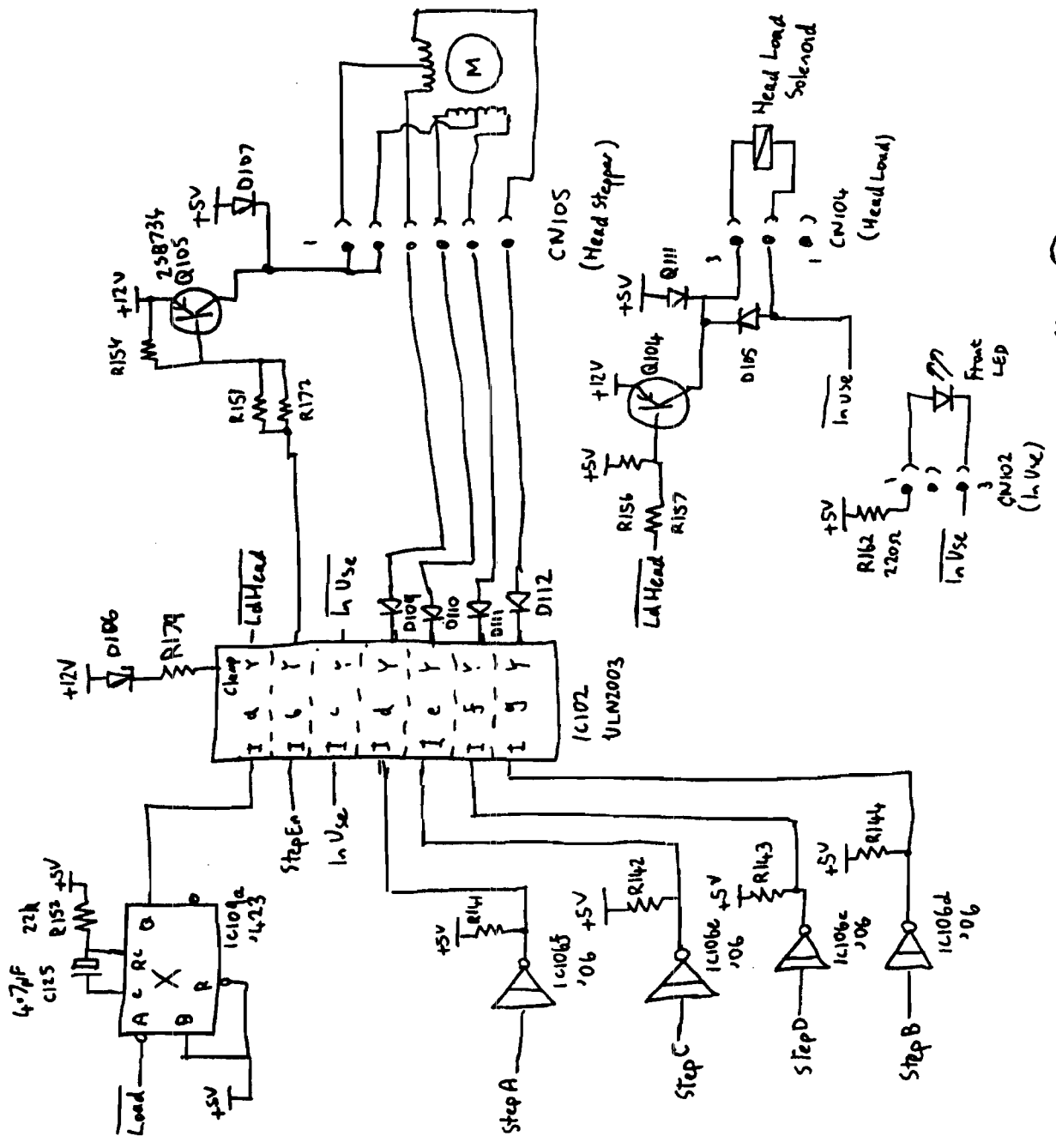


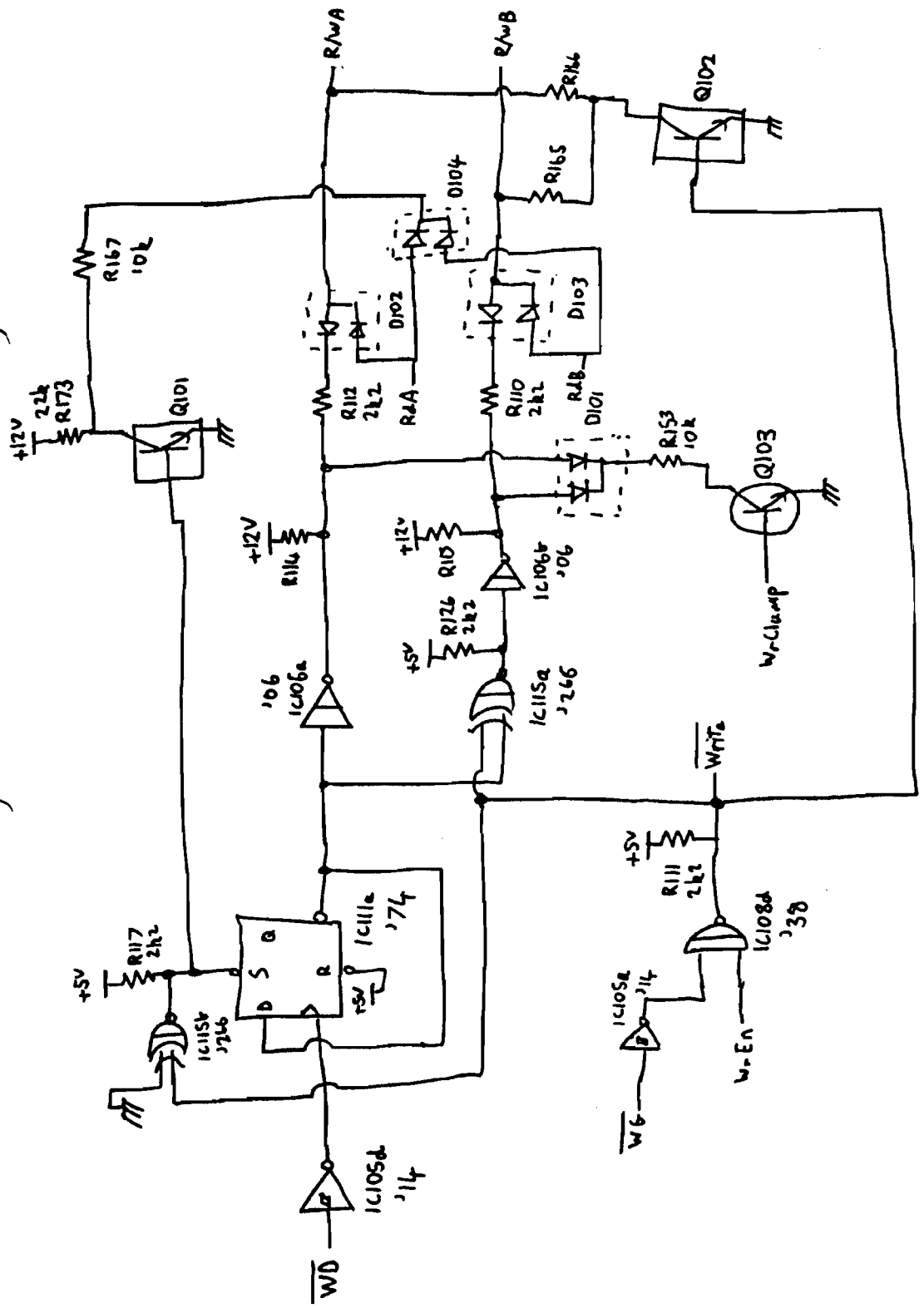


Sony Floppy Drive Logic Board FC9 S1002

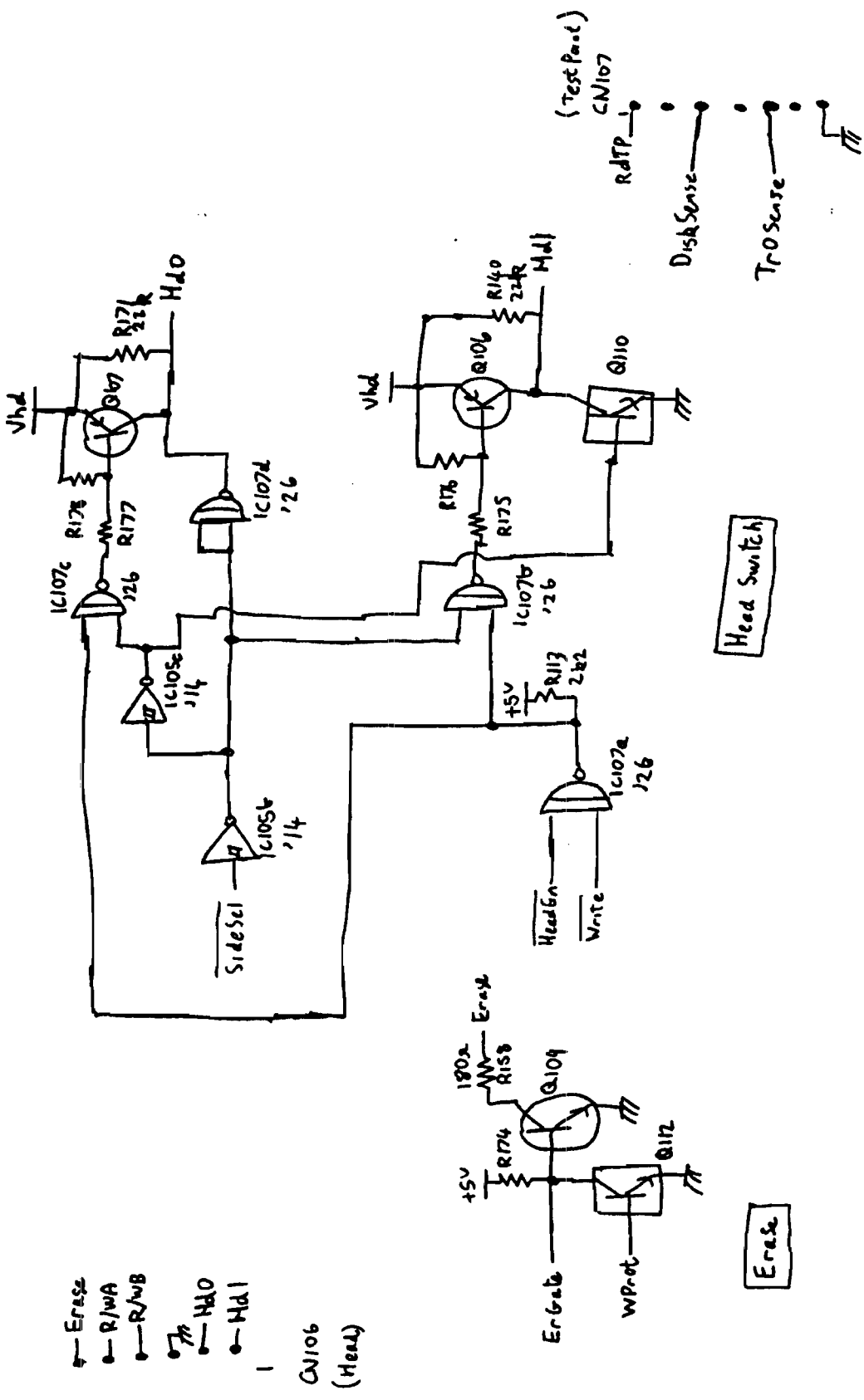


Sony Floppy Drive Logic Board FC9 Sheet ③





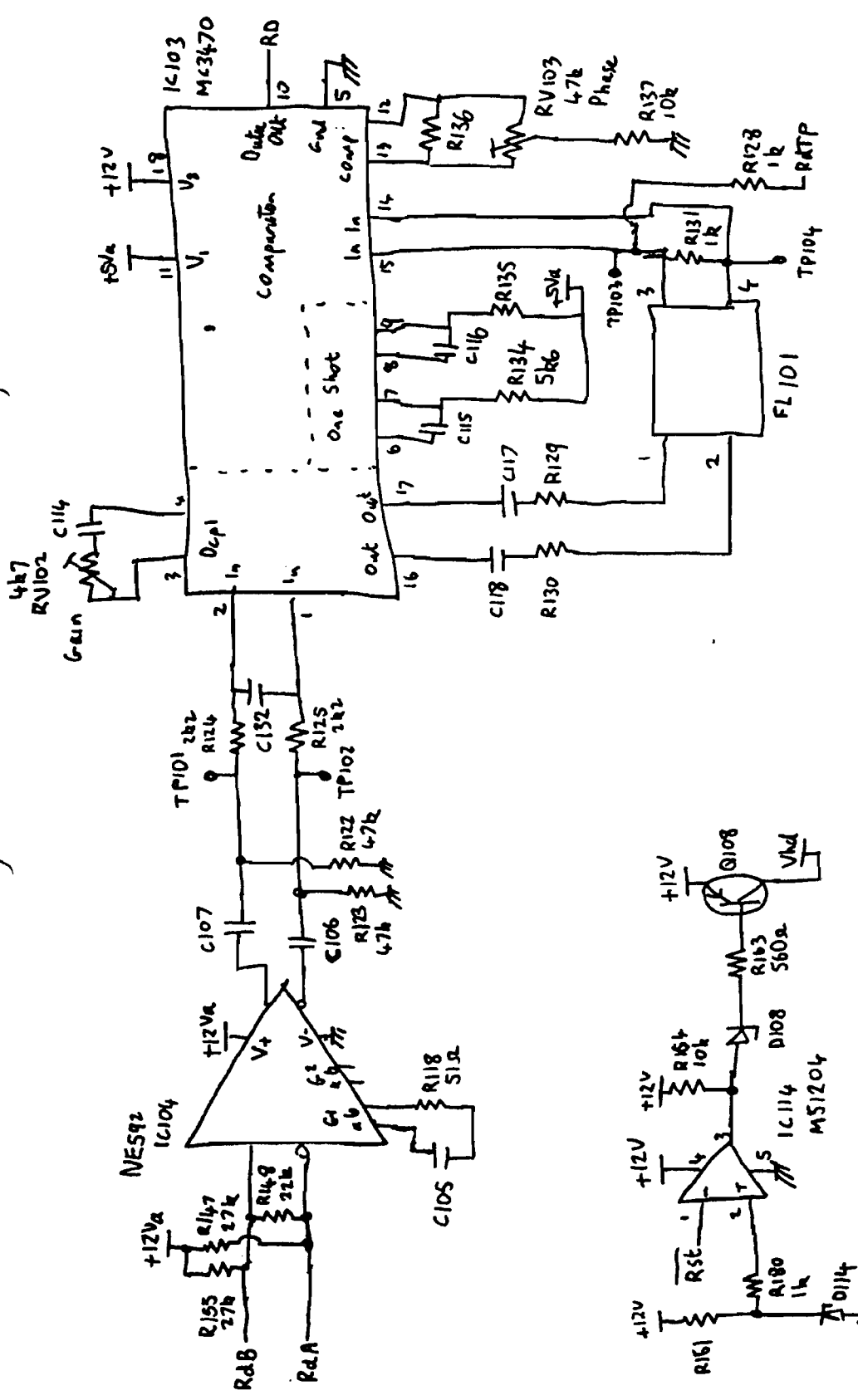
Write



- ← Erase
- ← R/WA
- ← R/WB
- ⚡ Hd0
- ⚡ Hd1
- 1
- CN106 (Head)

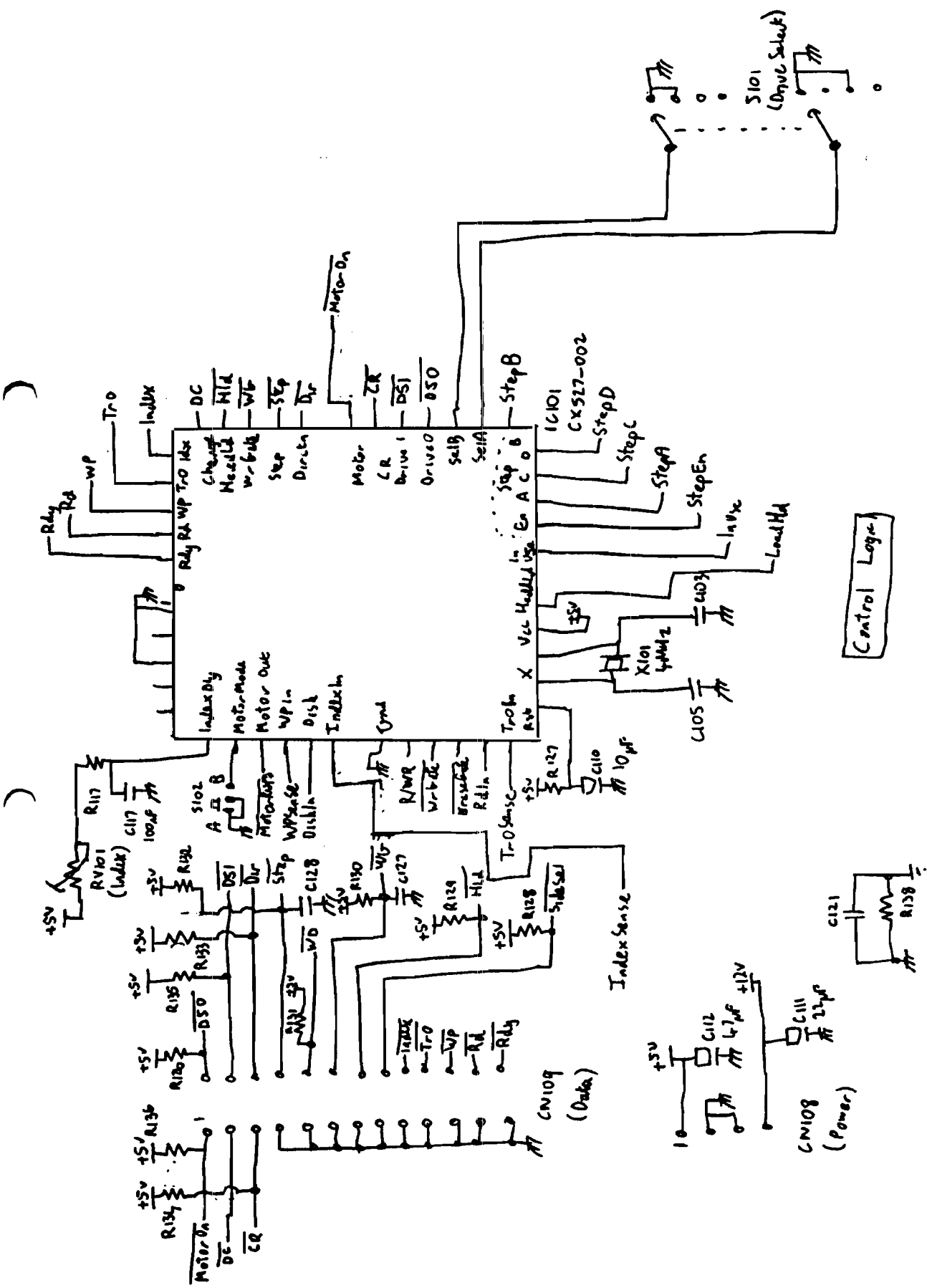
Erase

Head Switch

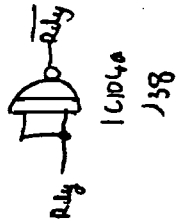
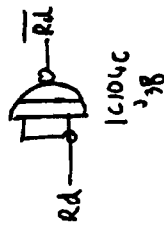
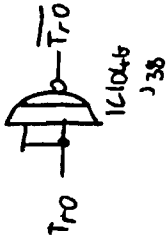
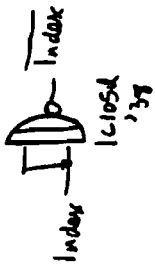


Read

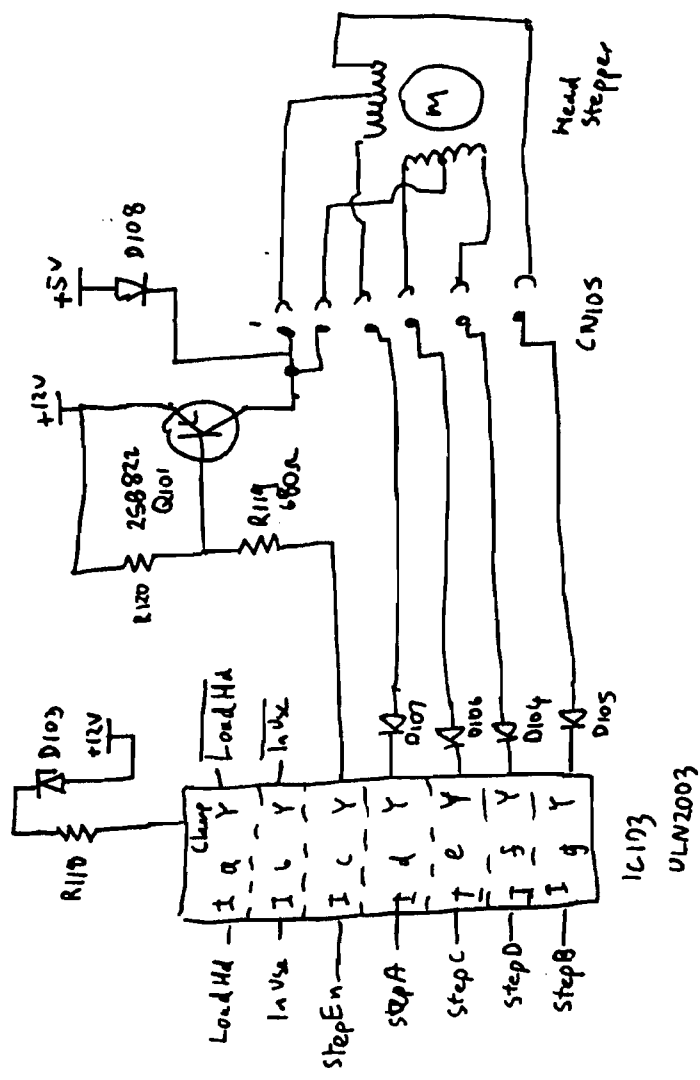
Power Ok



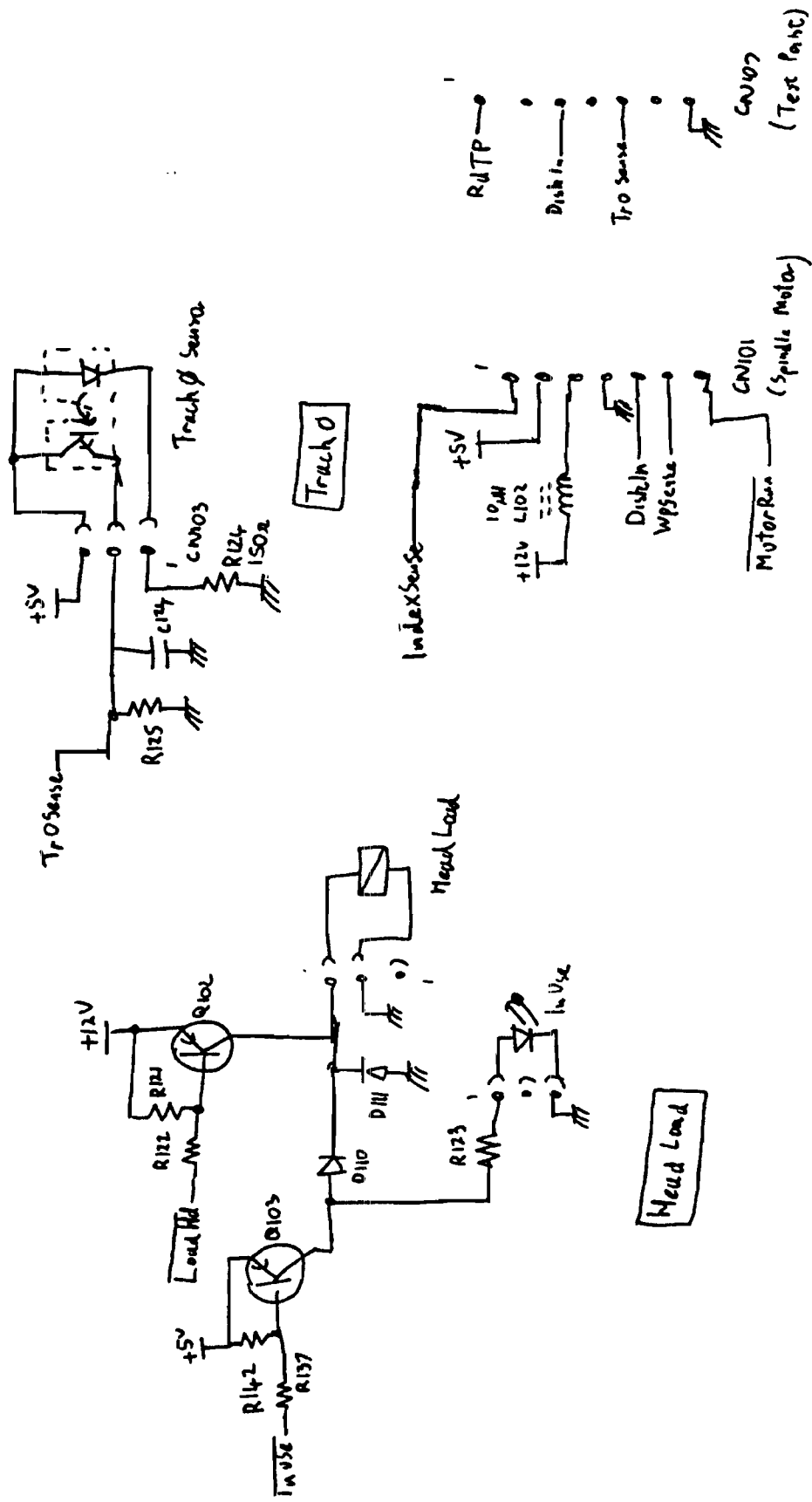
Sony Floppy Drive Logic Board FC16 Sheet 1

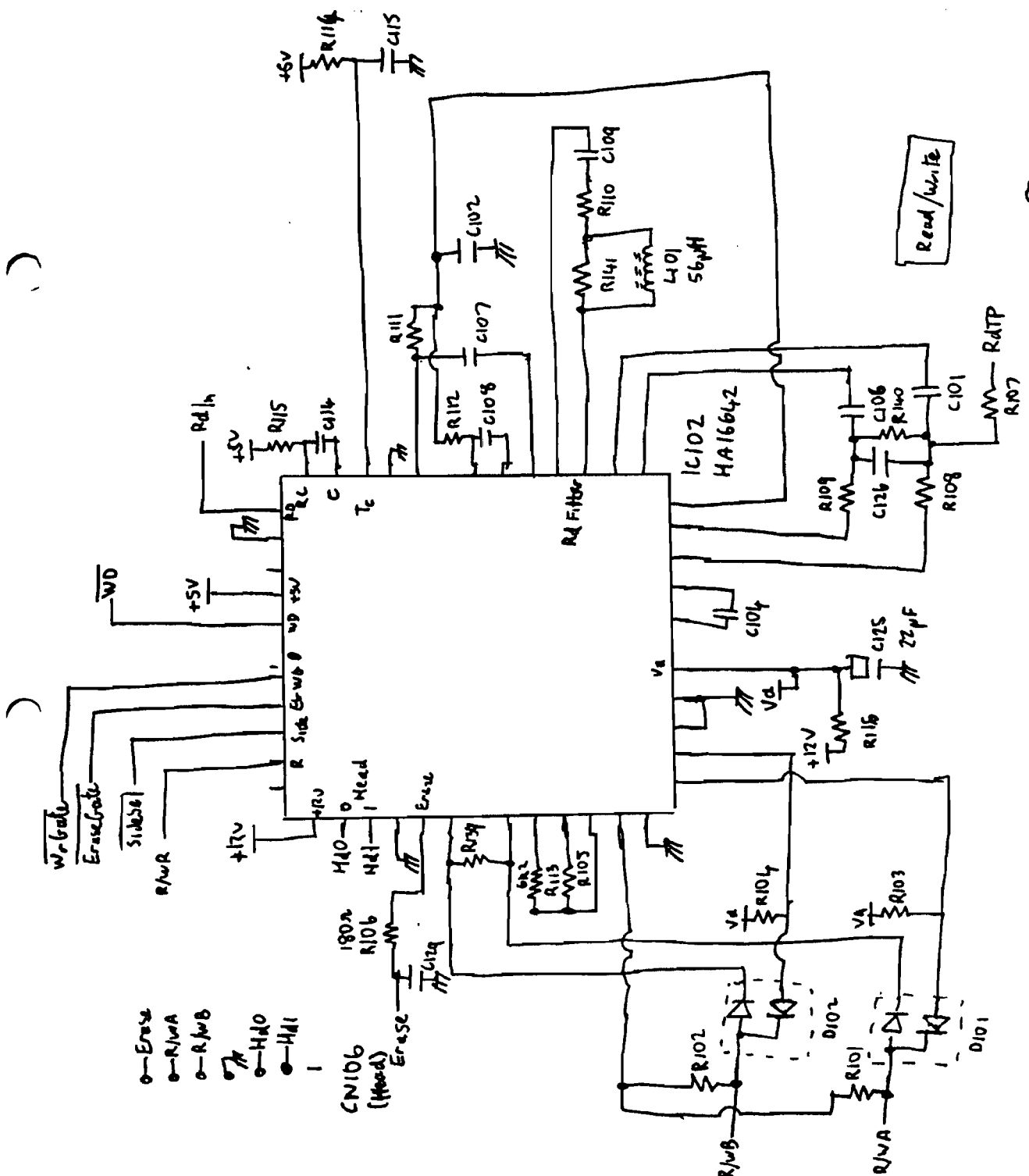


Interface Output

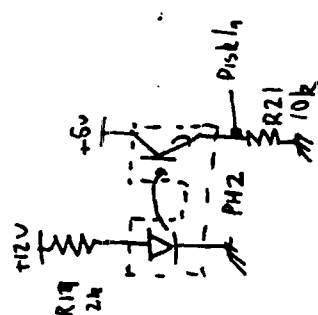
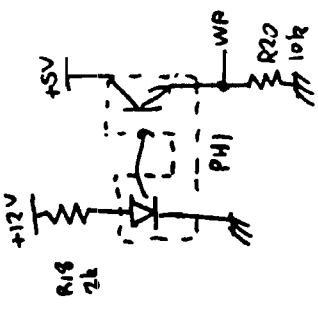


Stepper Driver

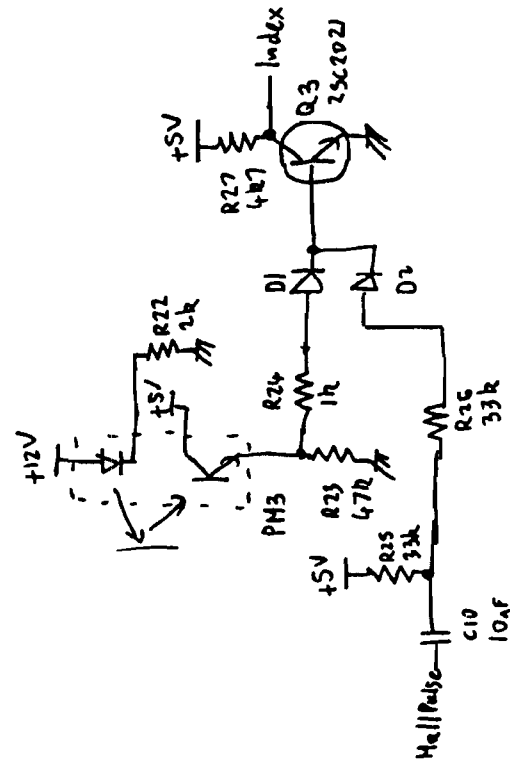
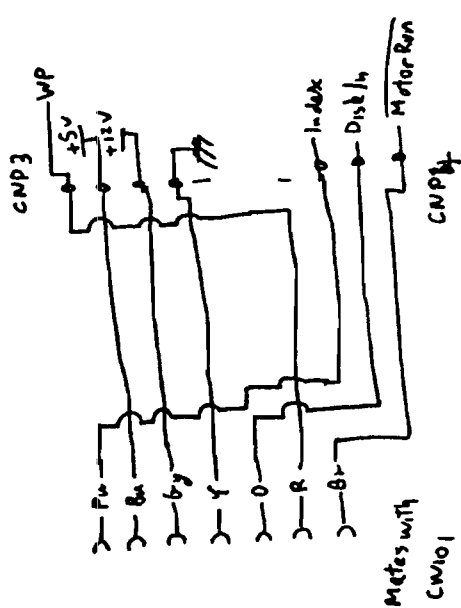




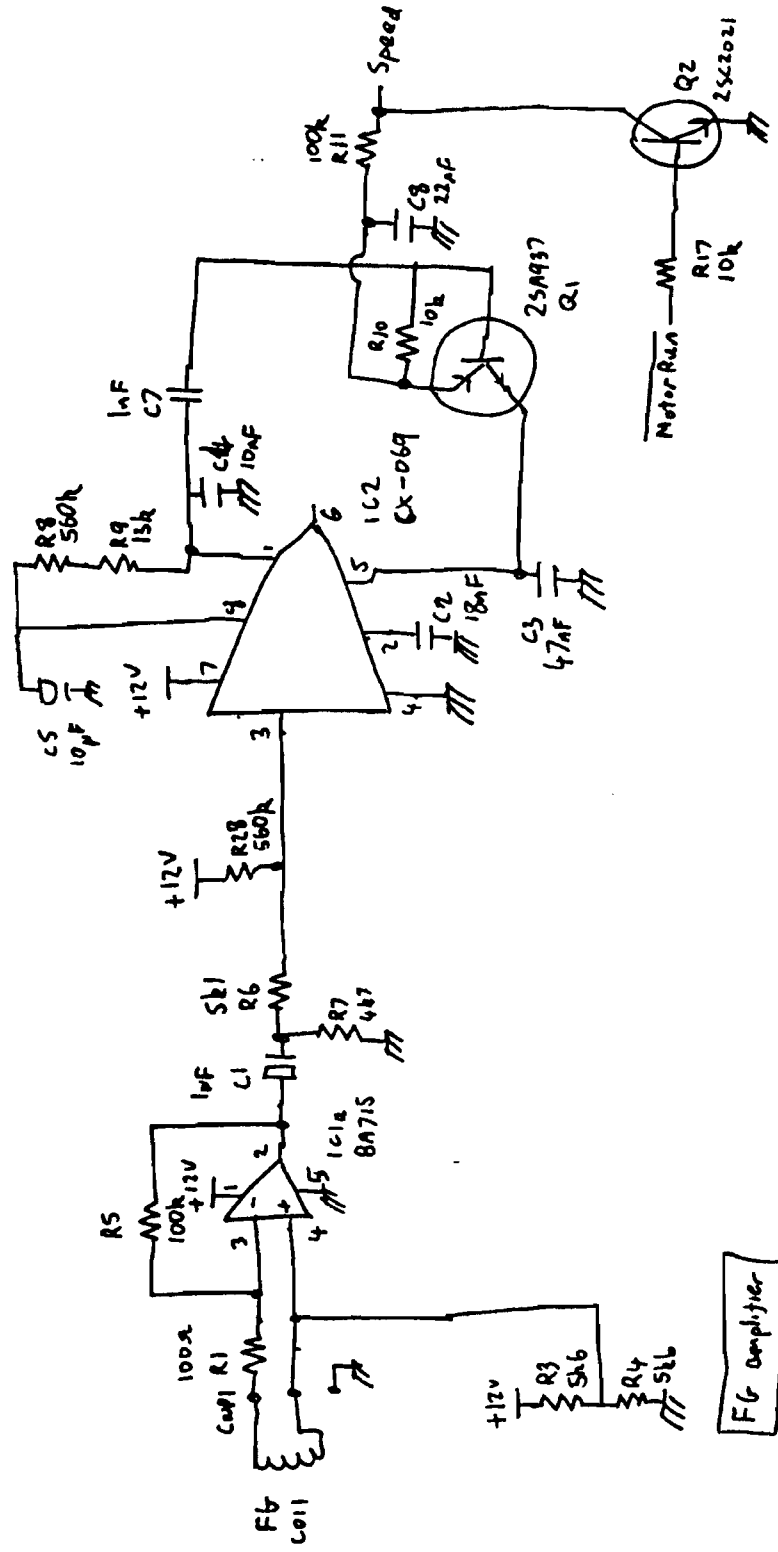
Sony Floppy Drive Logic Board FC16 Sheet 4



Sensors



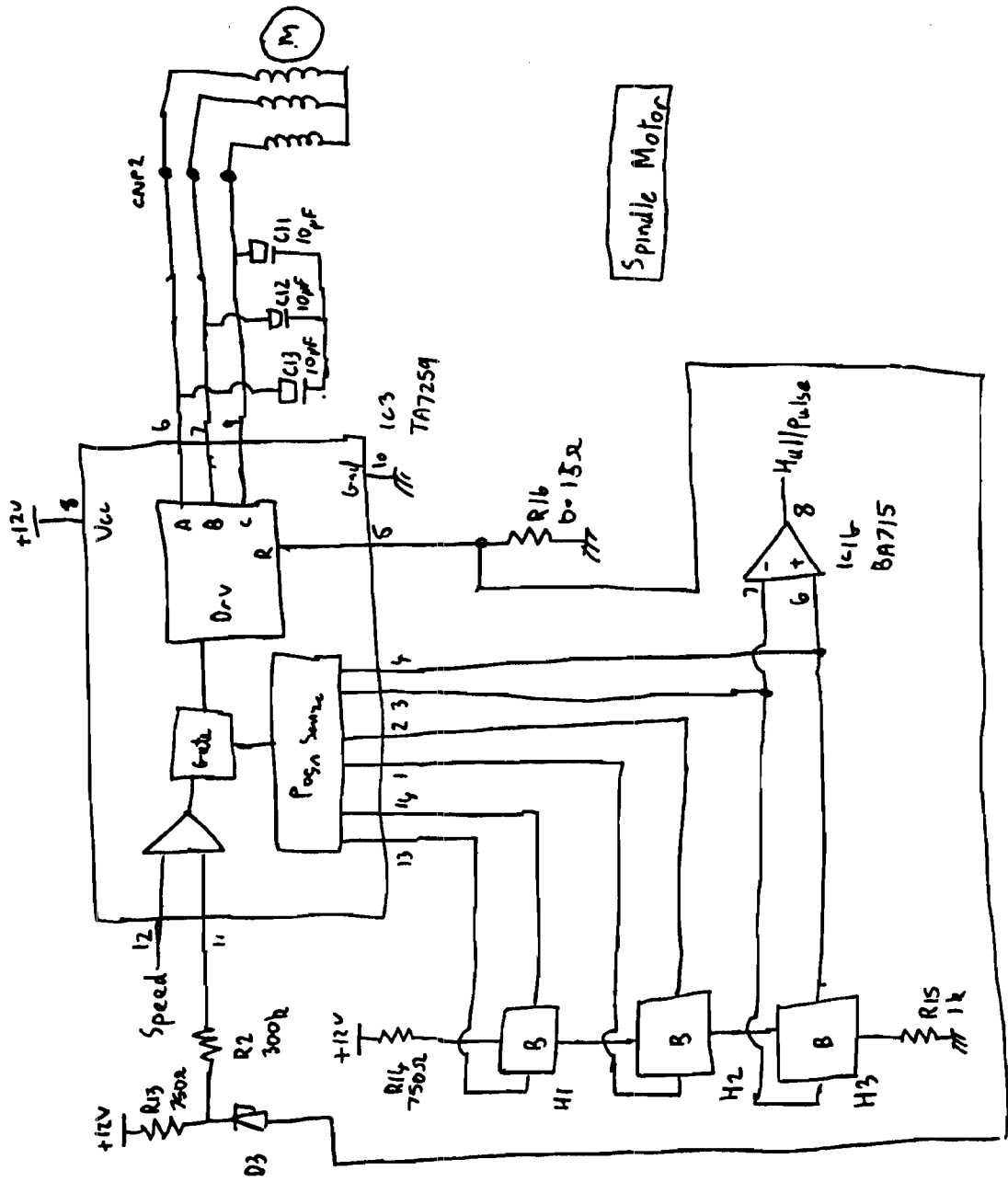
Sony Floppy Drive Spindle Motor Schematic 1



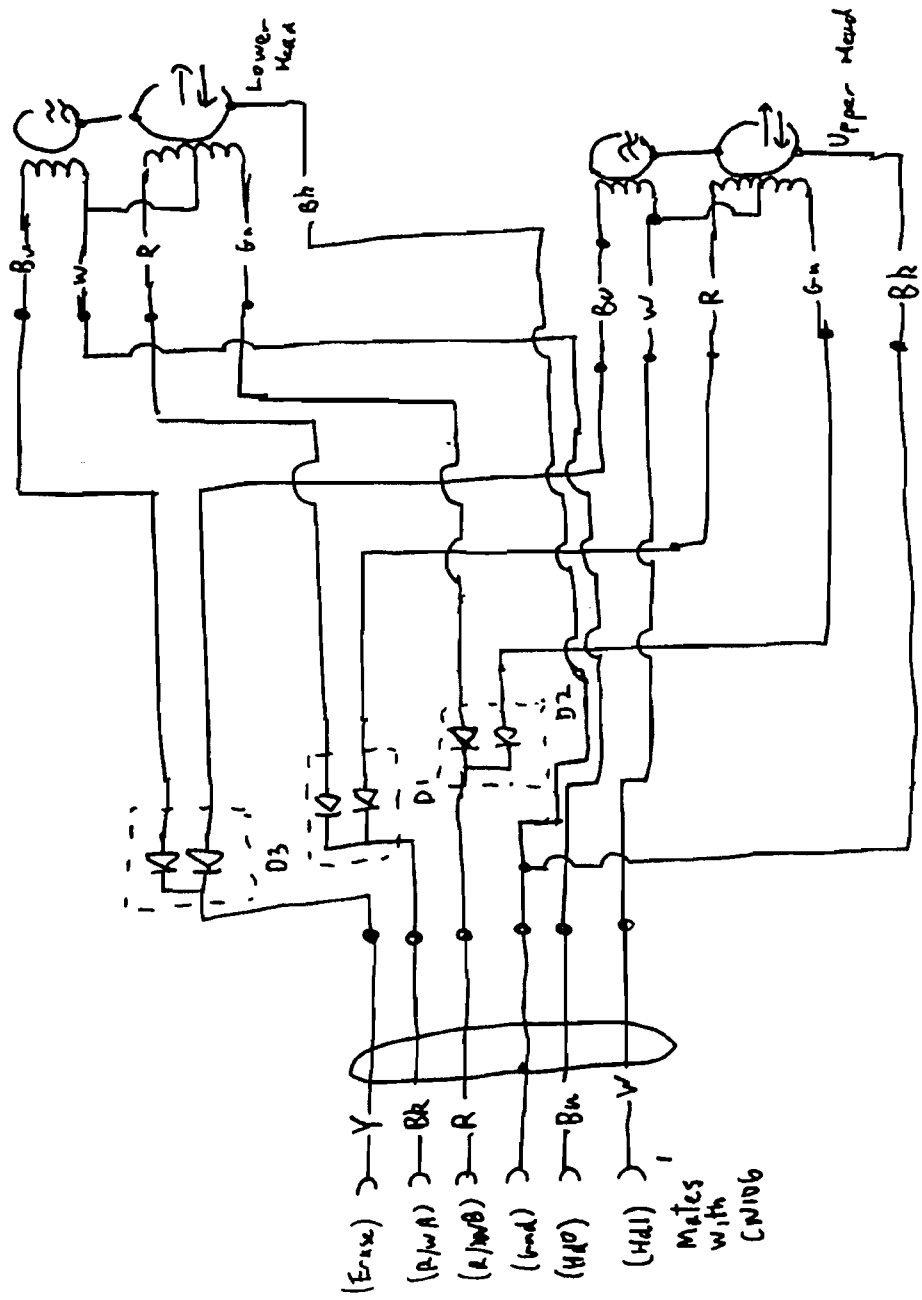
Spindle Speed

FG amplifier

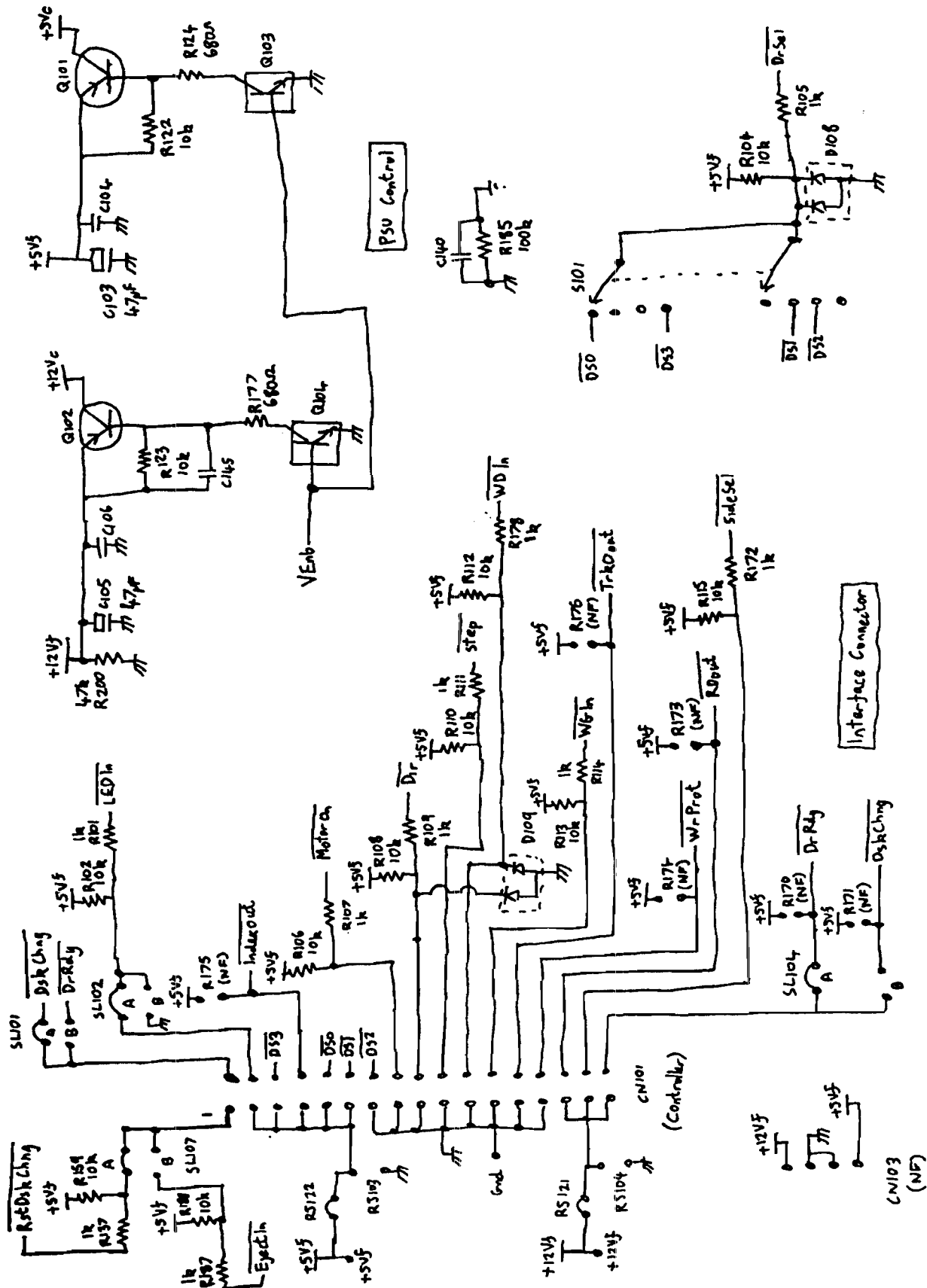
Sony Floppy Drive Spindle Motor sheet(2)



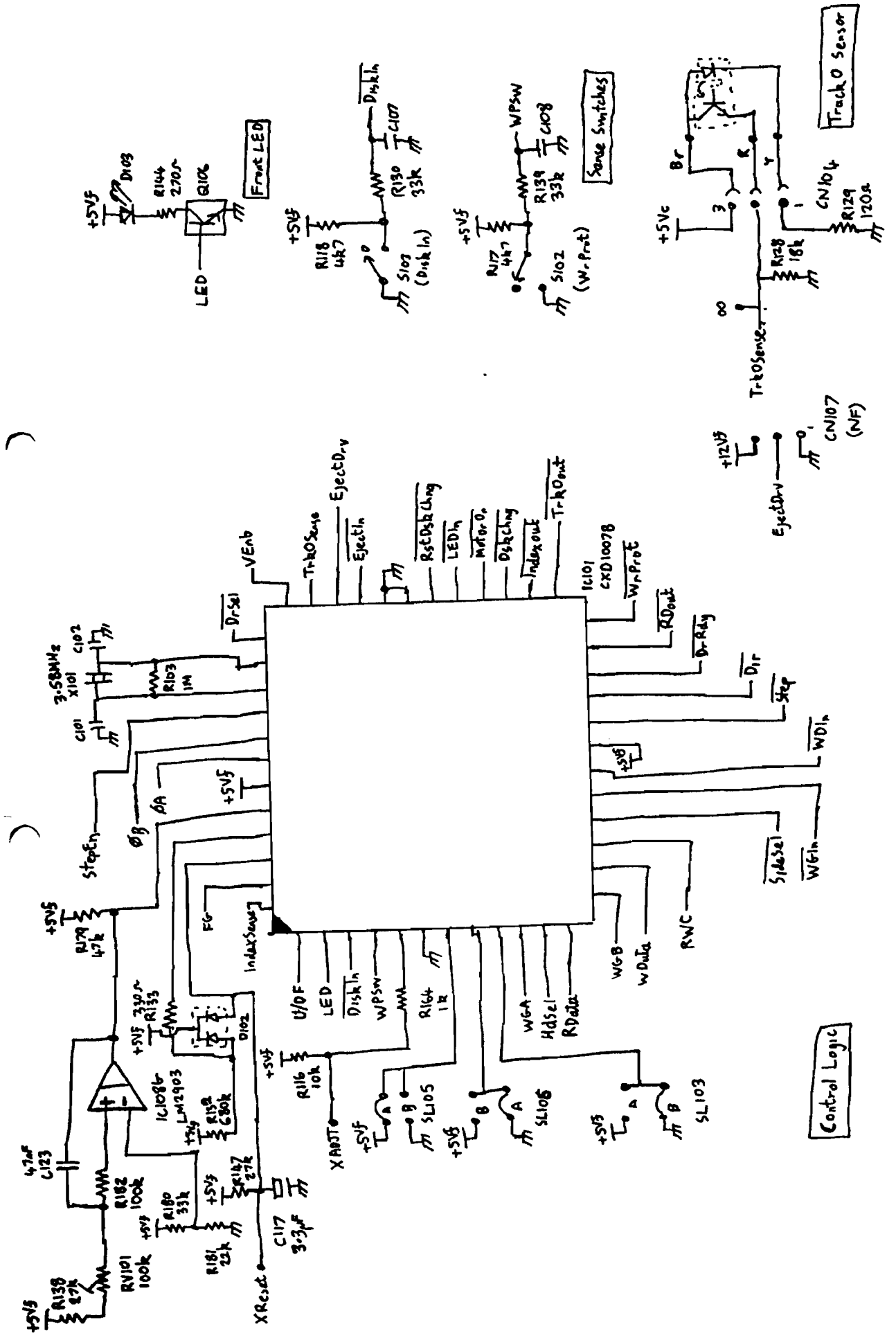
Spindle Motor



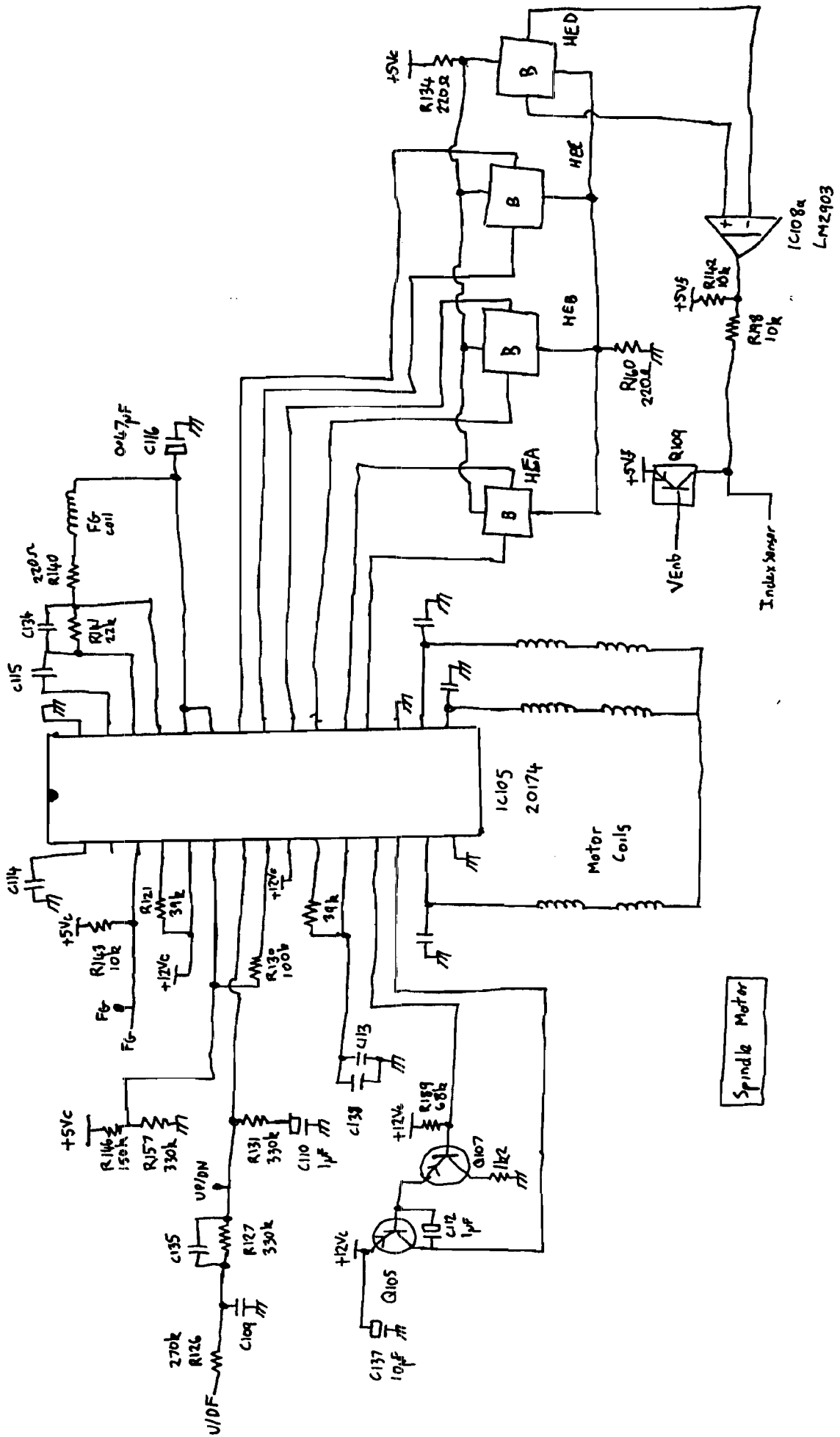
Sony Floppy Drive Double-Sided Head



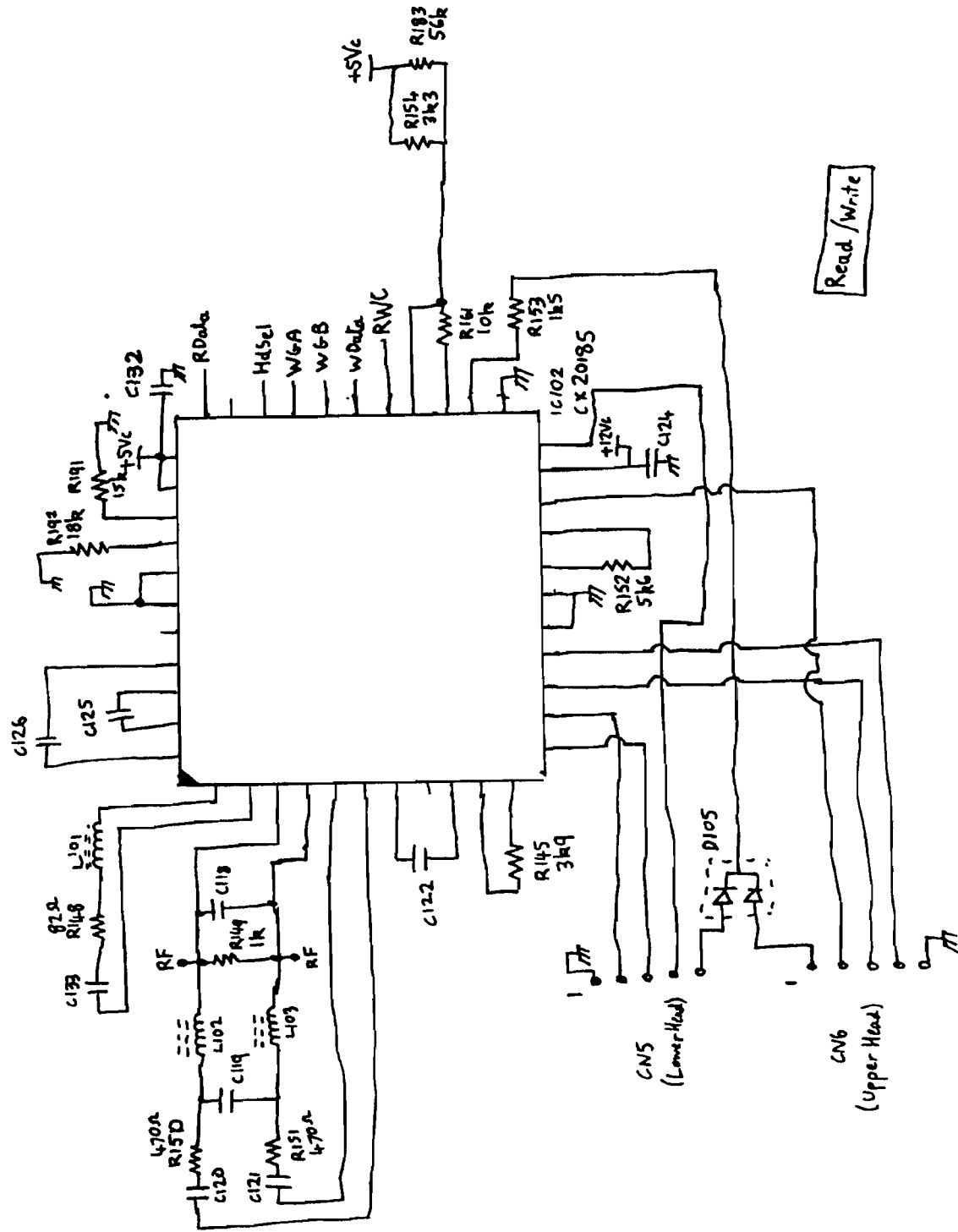
MP-F52W-50 Disk Drive Sheet 1 (FC26 PCB)

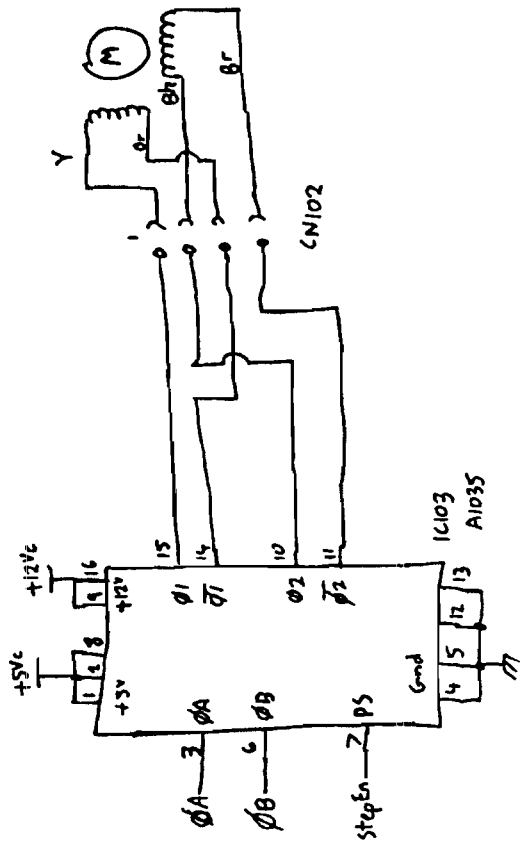


MP-F52W-50 Disk Drive Schem² (FC26 PCB)



MP-F52W-50 Disk Drive Sheet 3 (FC26 PCB)





Head stepper

