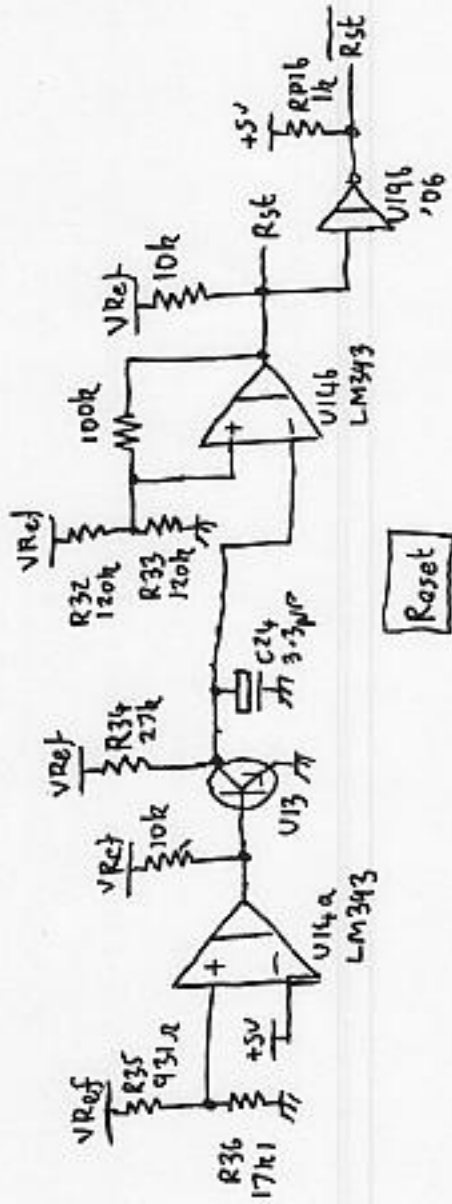
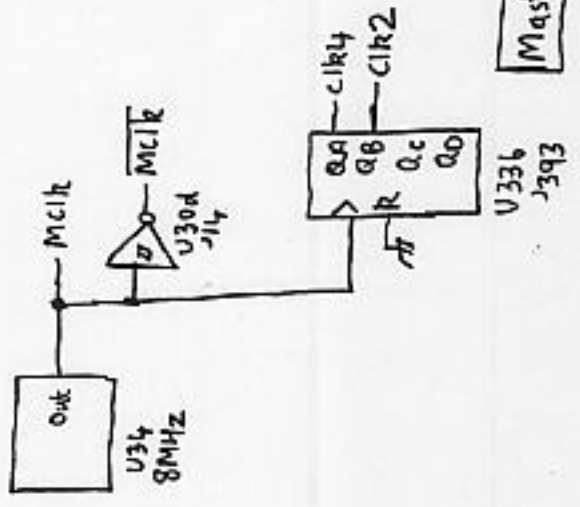


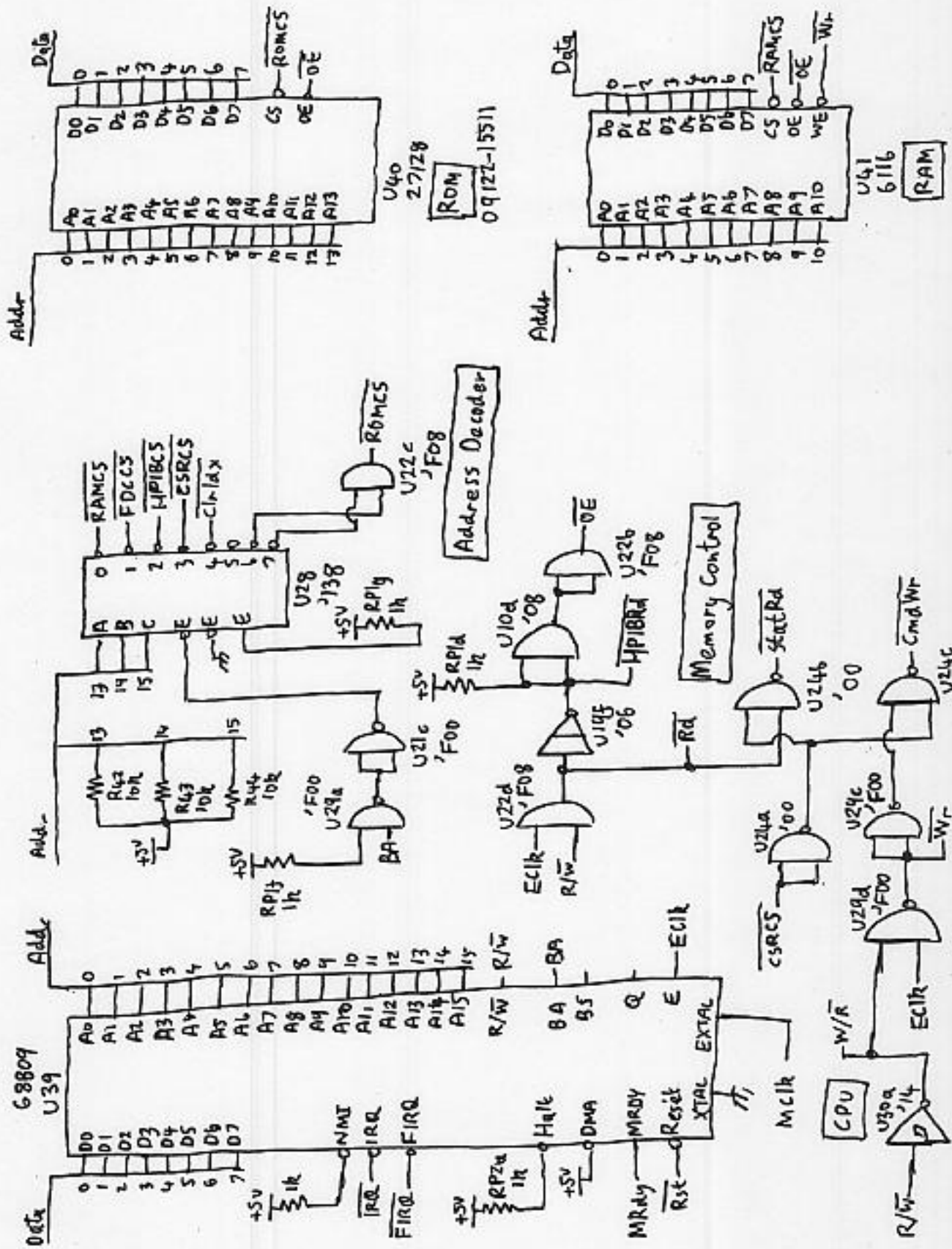
Drive Power connectors

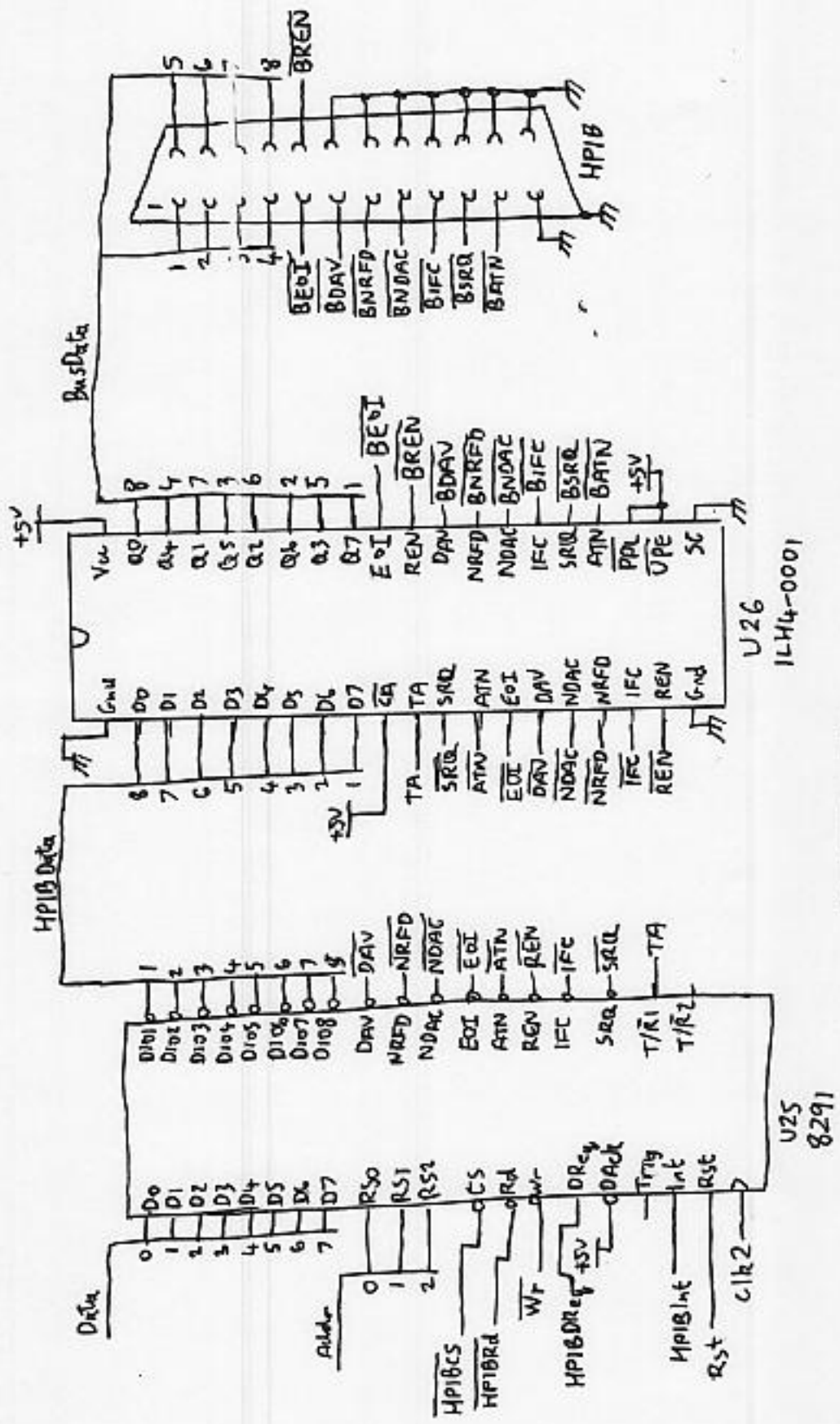


Reset



Master Clock

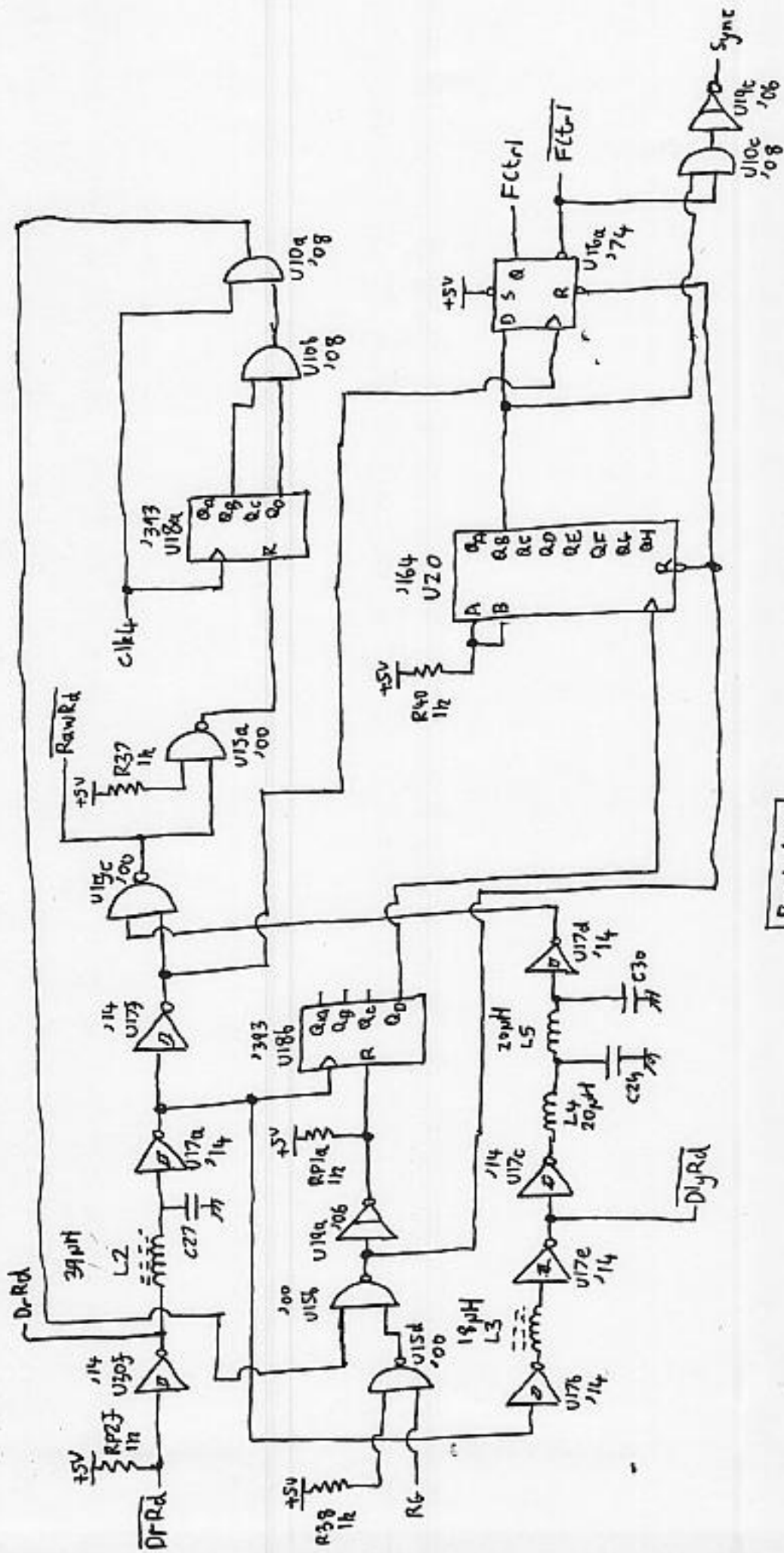




HPiB Interface

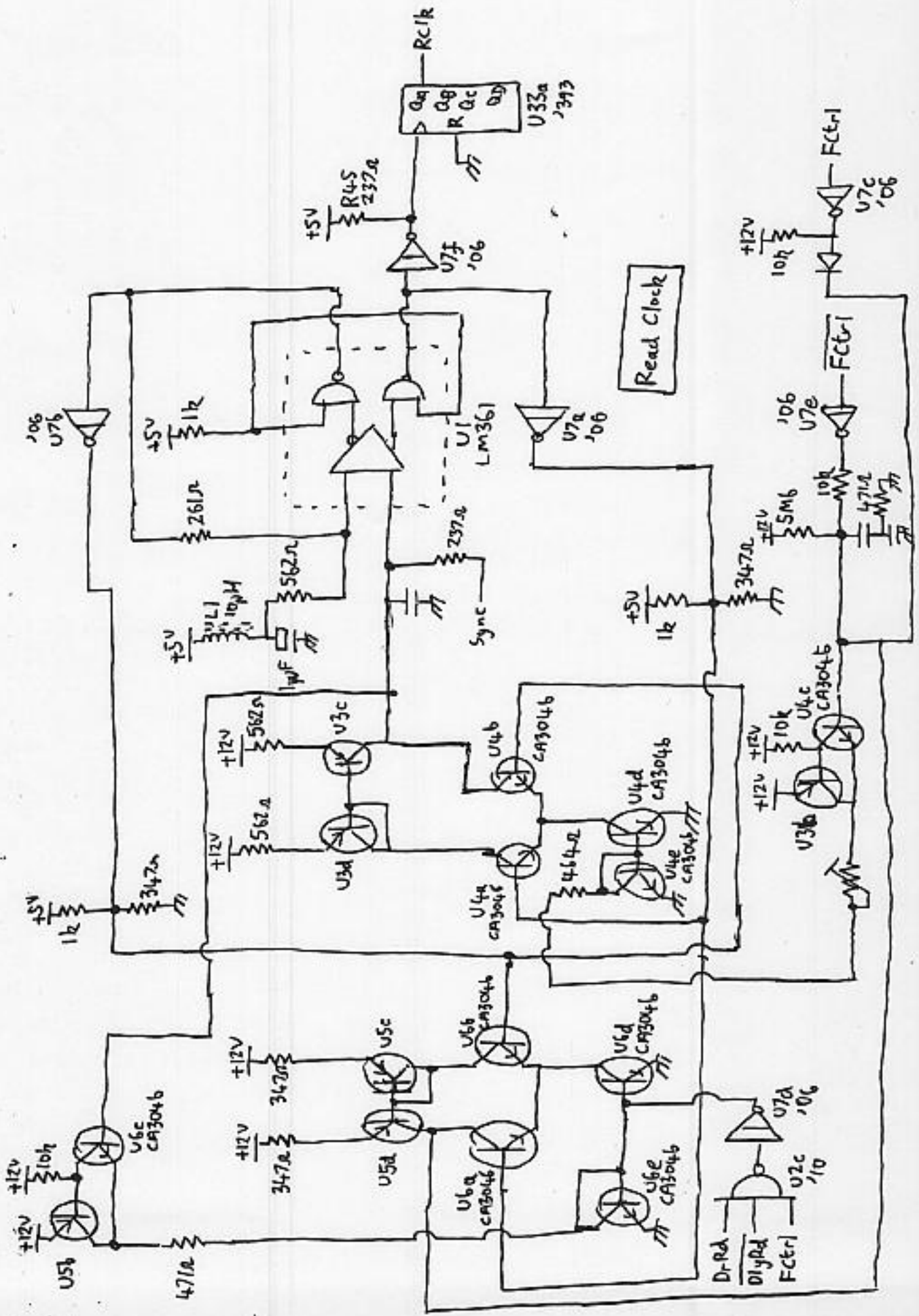




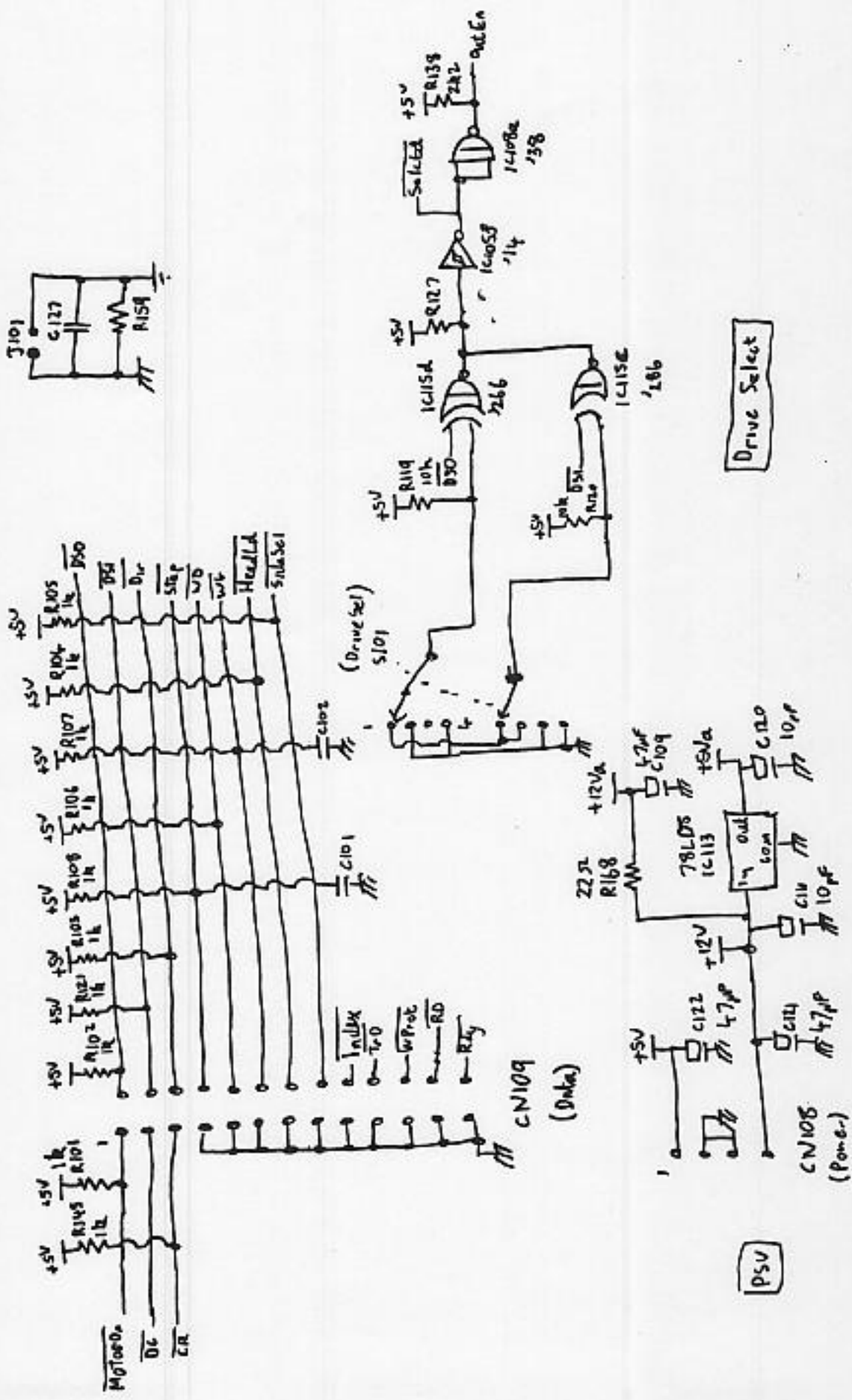


Read Sync

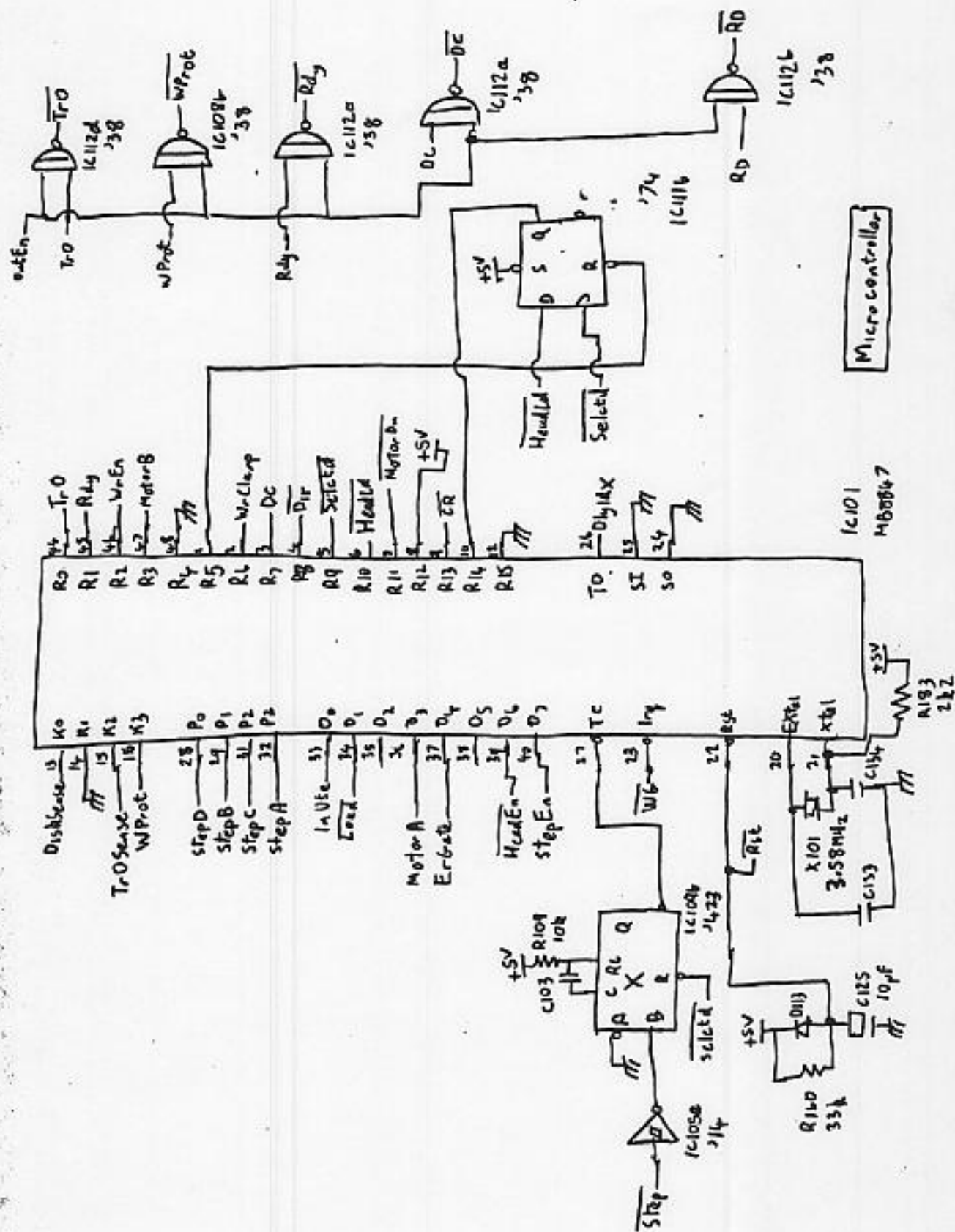




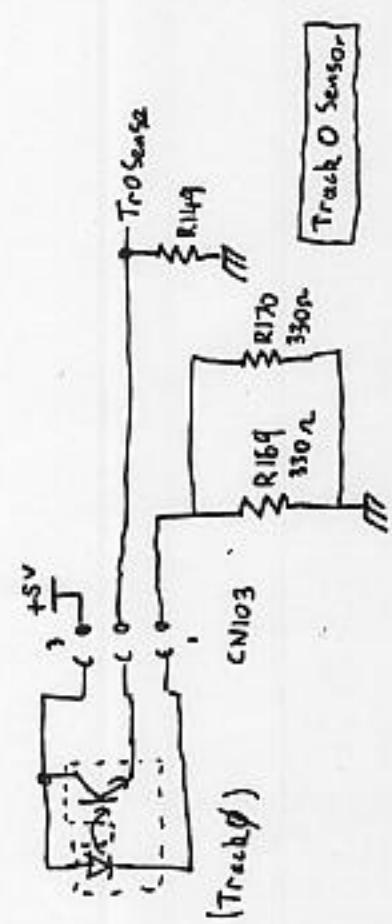
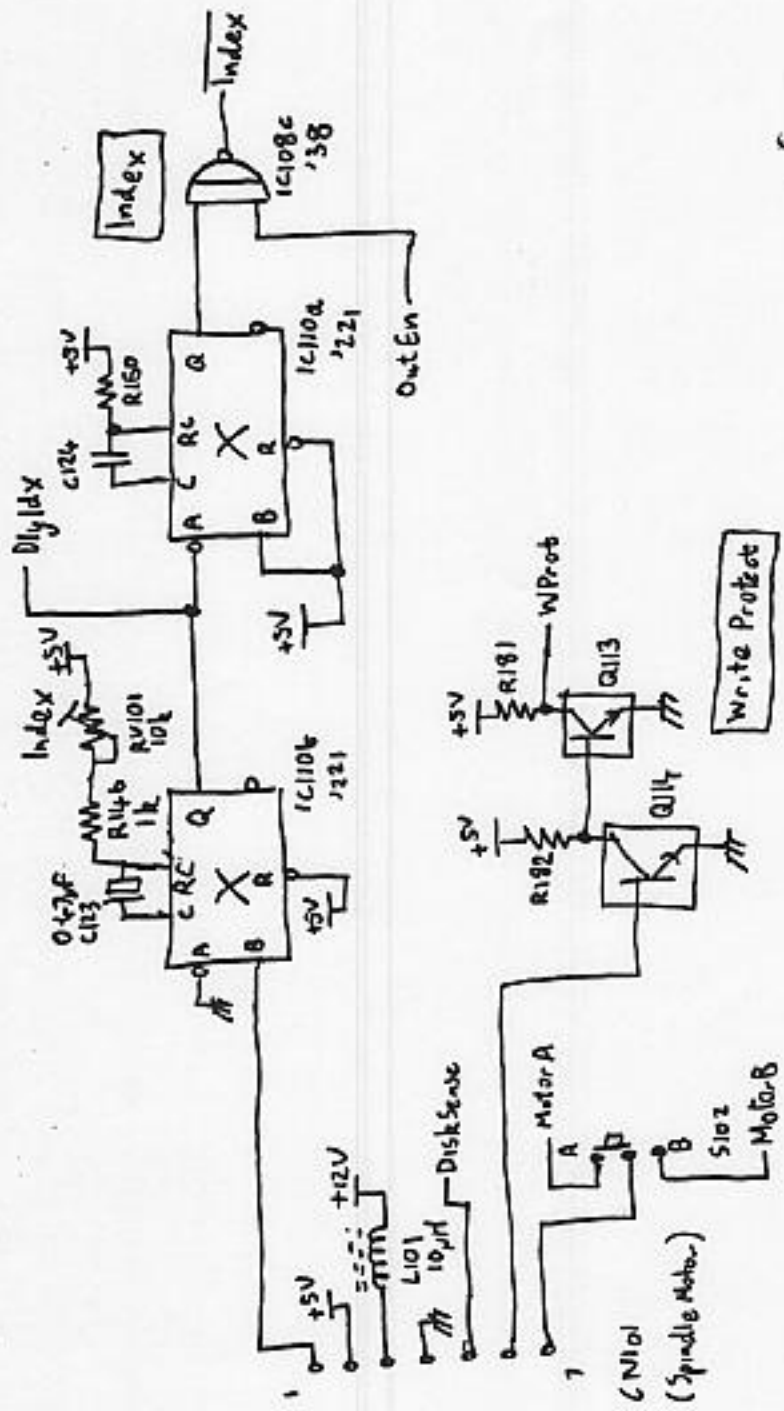
HP 9122 Controller PCB Sheet (9) 09122-66501



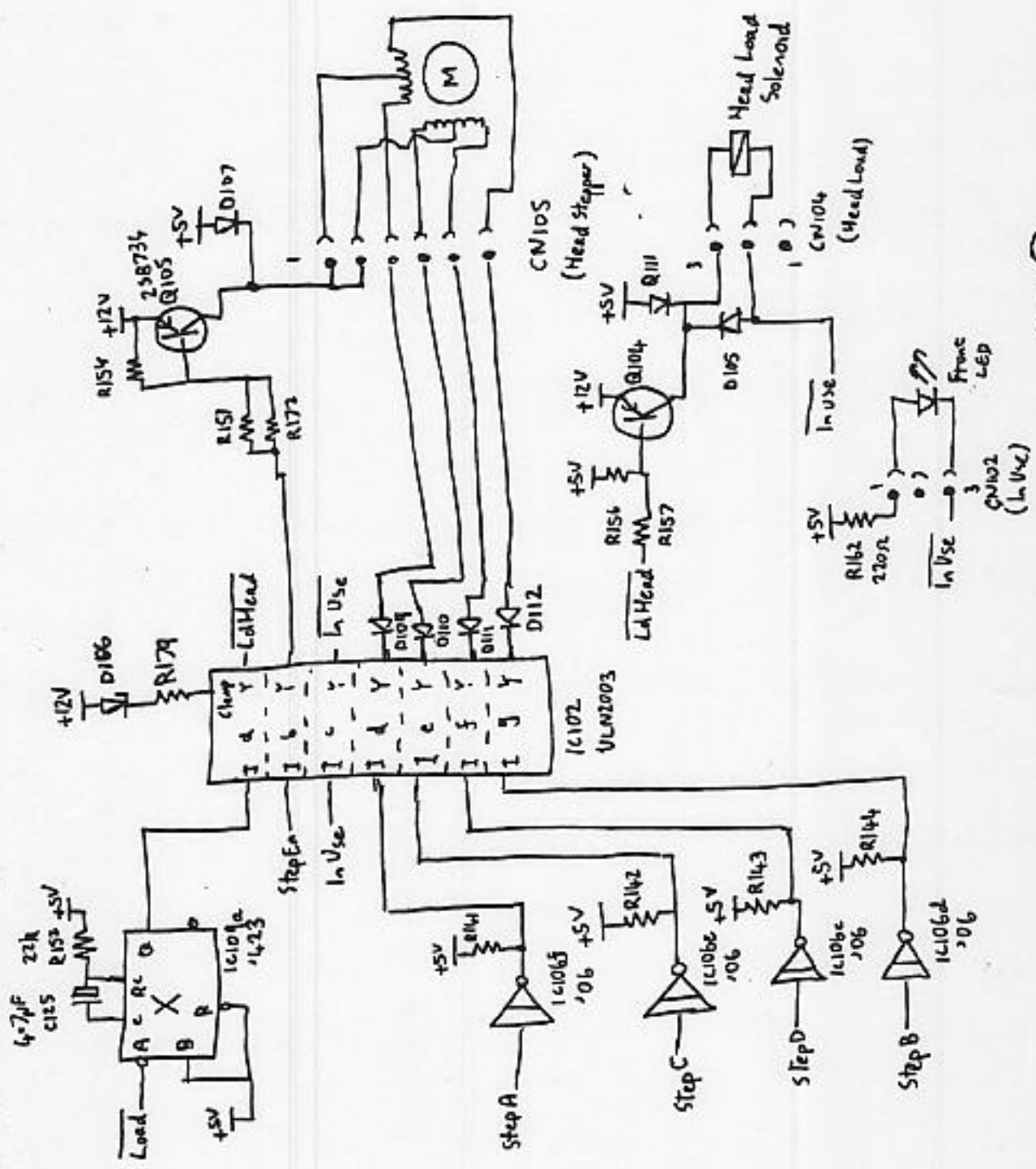
Sony Floppy Drive Logic Board FC9 Sheet 1



Sony Floppy Drive Logic Board FC9 Slat ②

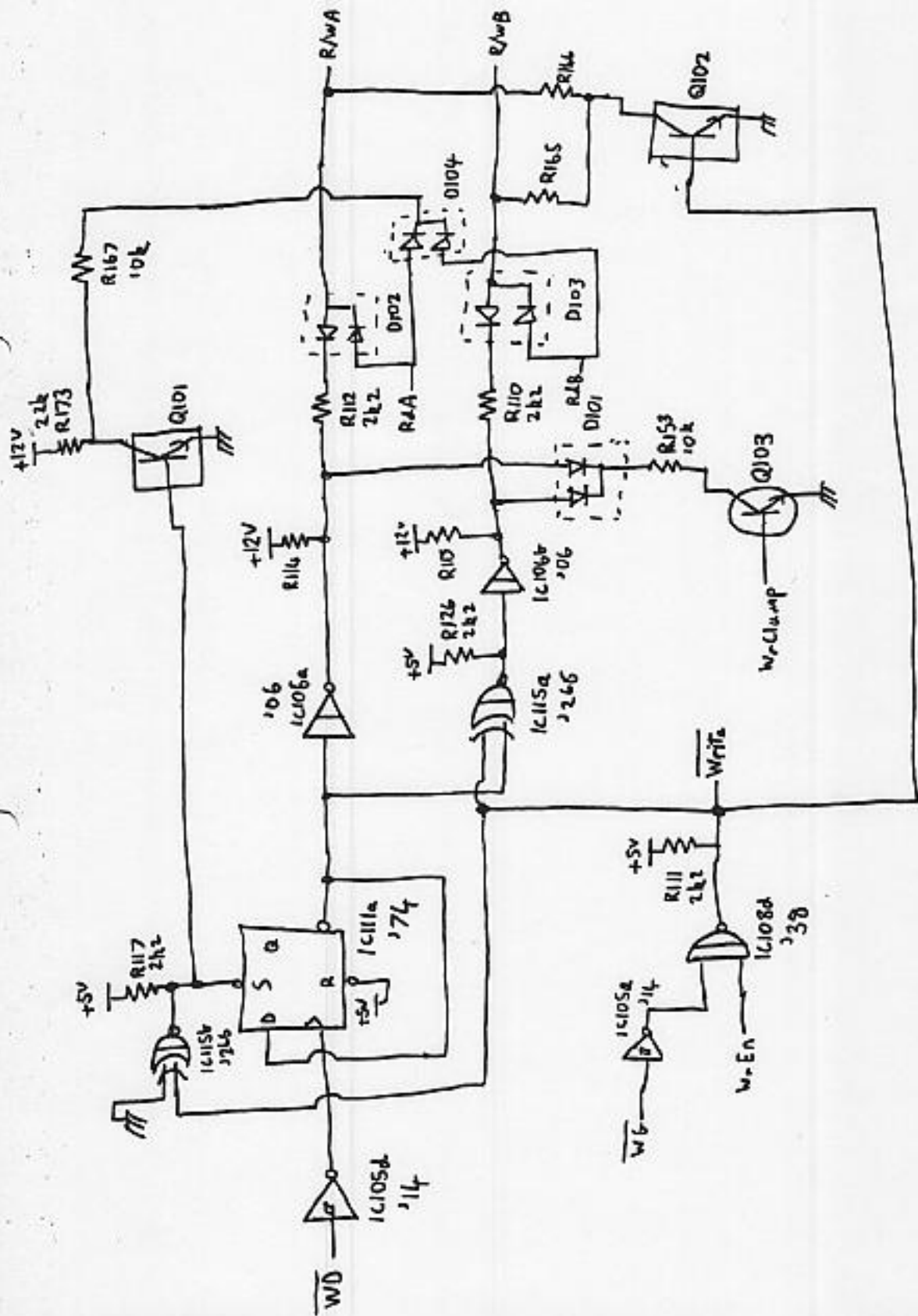


Sony Floppy Drive Logic Board FC9 Sheet 3

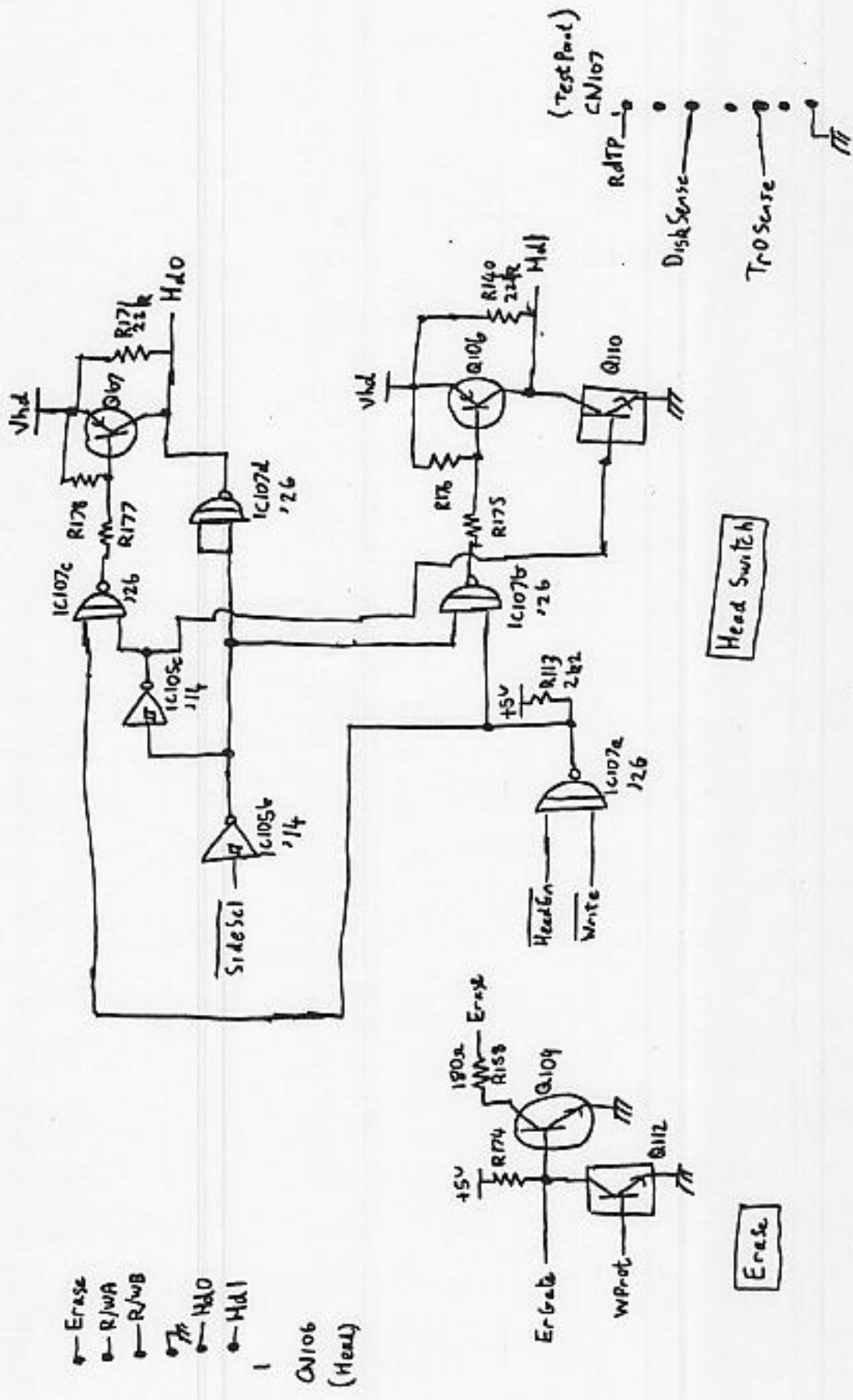


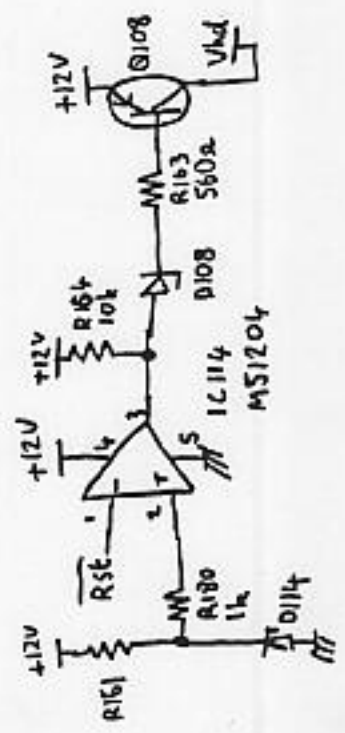
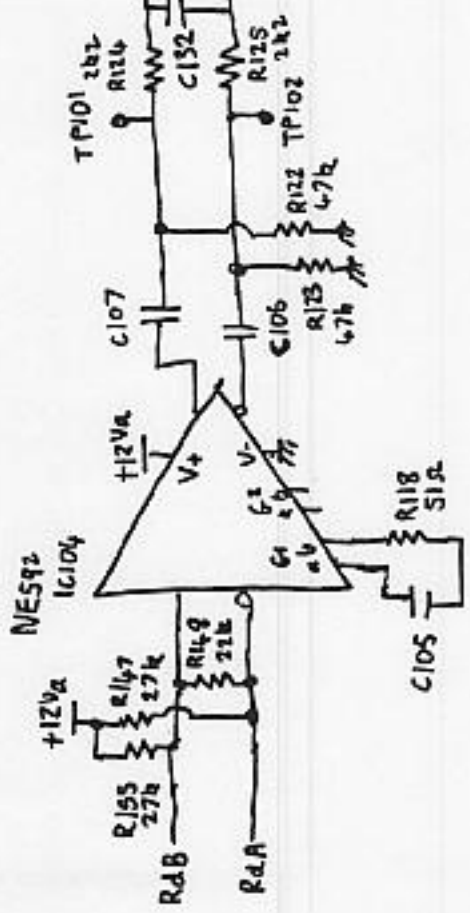
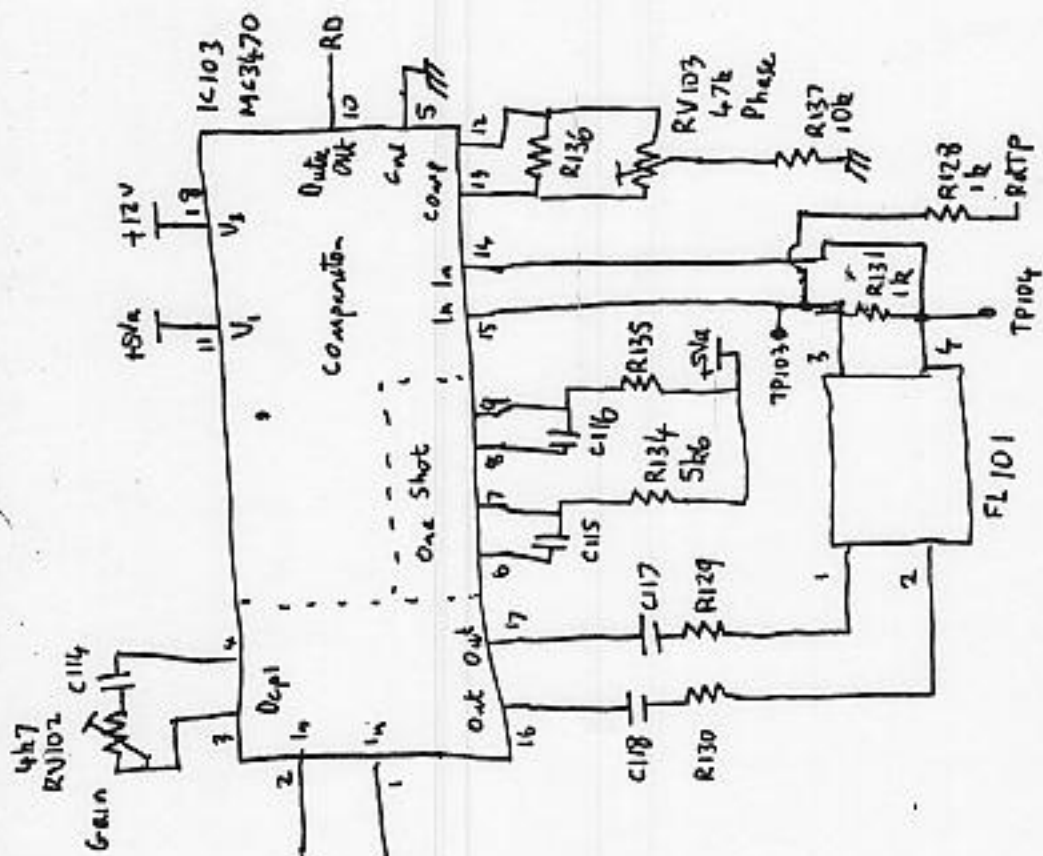
Sheet 4

Sony Floppy Drive Logic Board FC9



Write

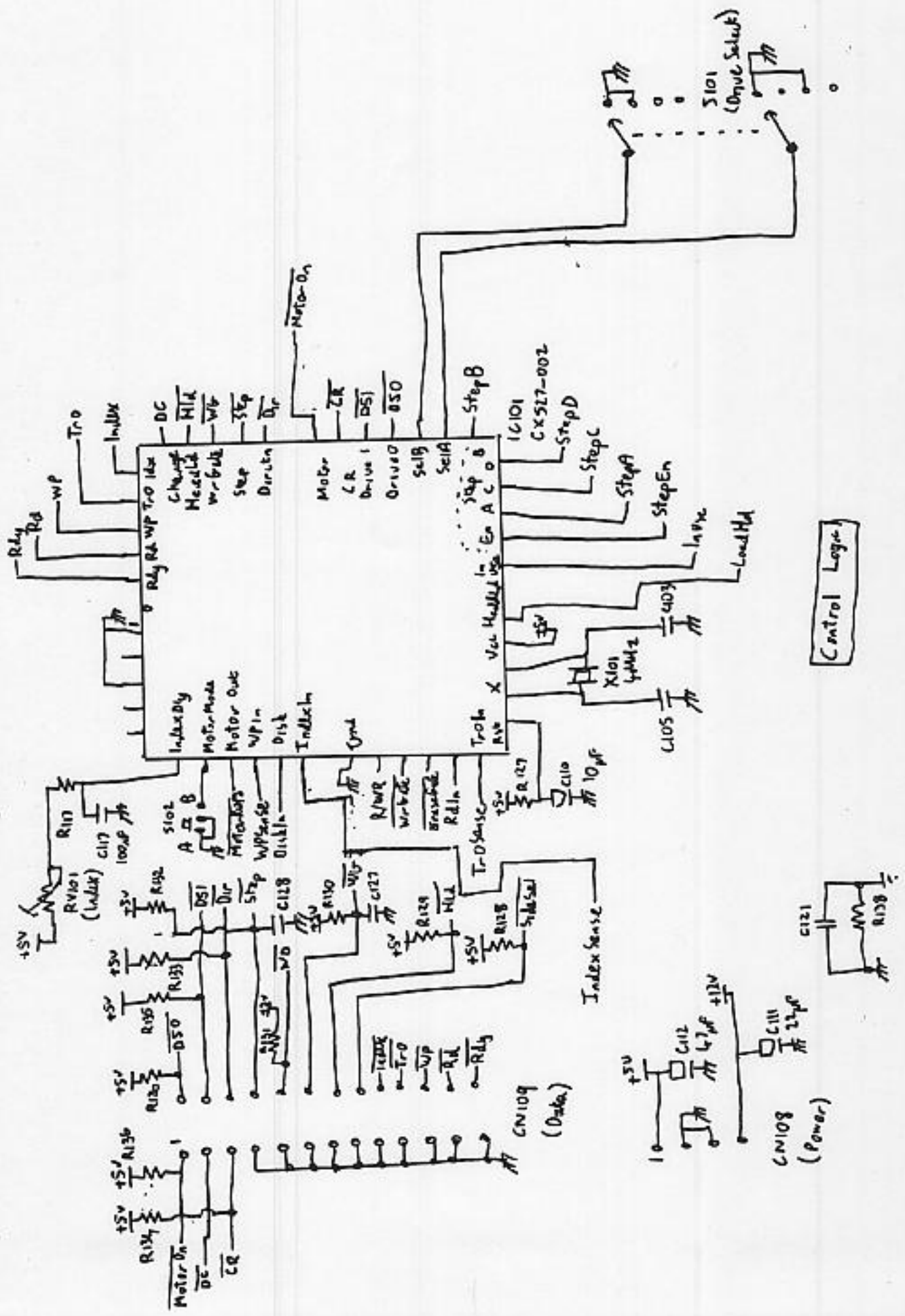




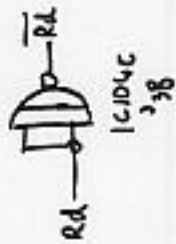
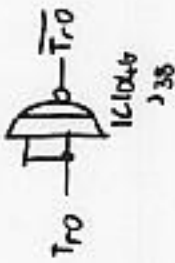
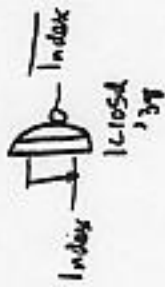
Read

Power Ok

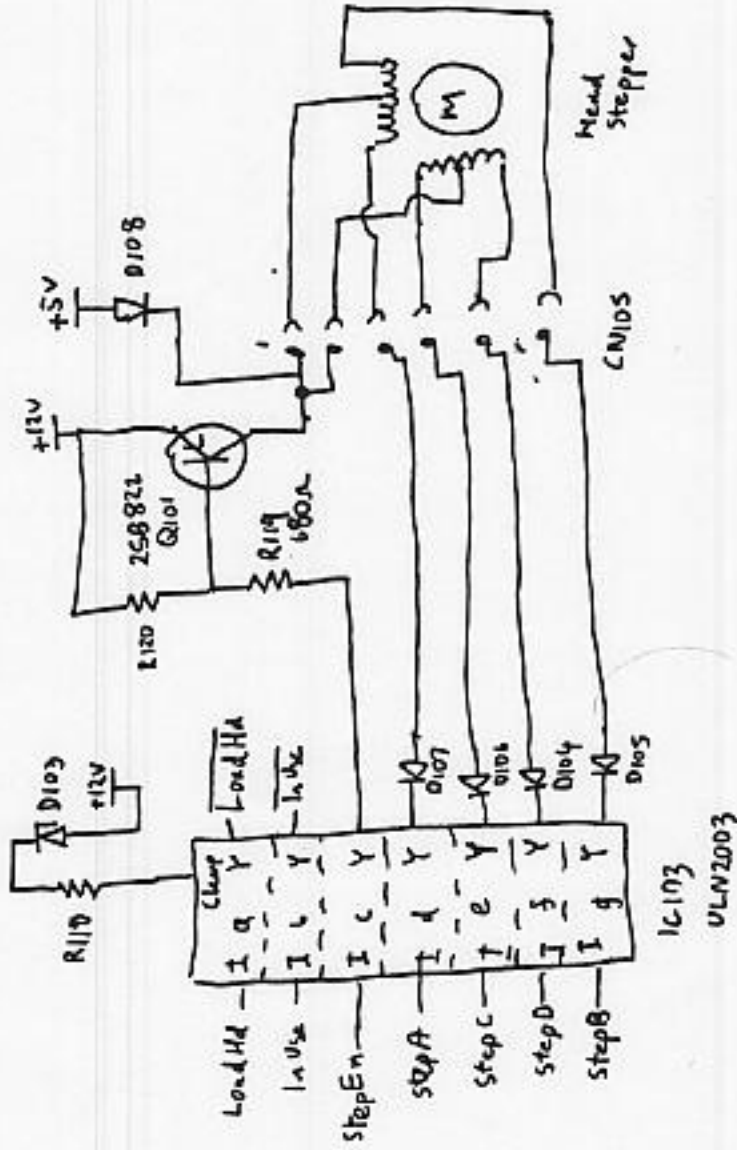




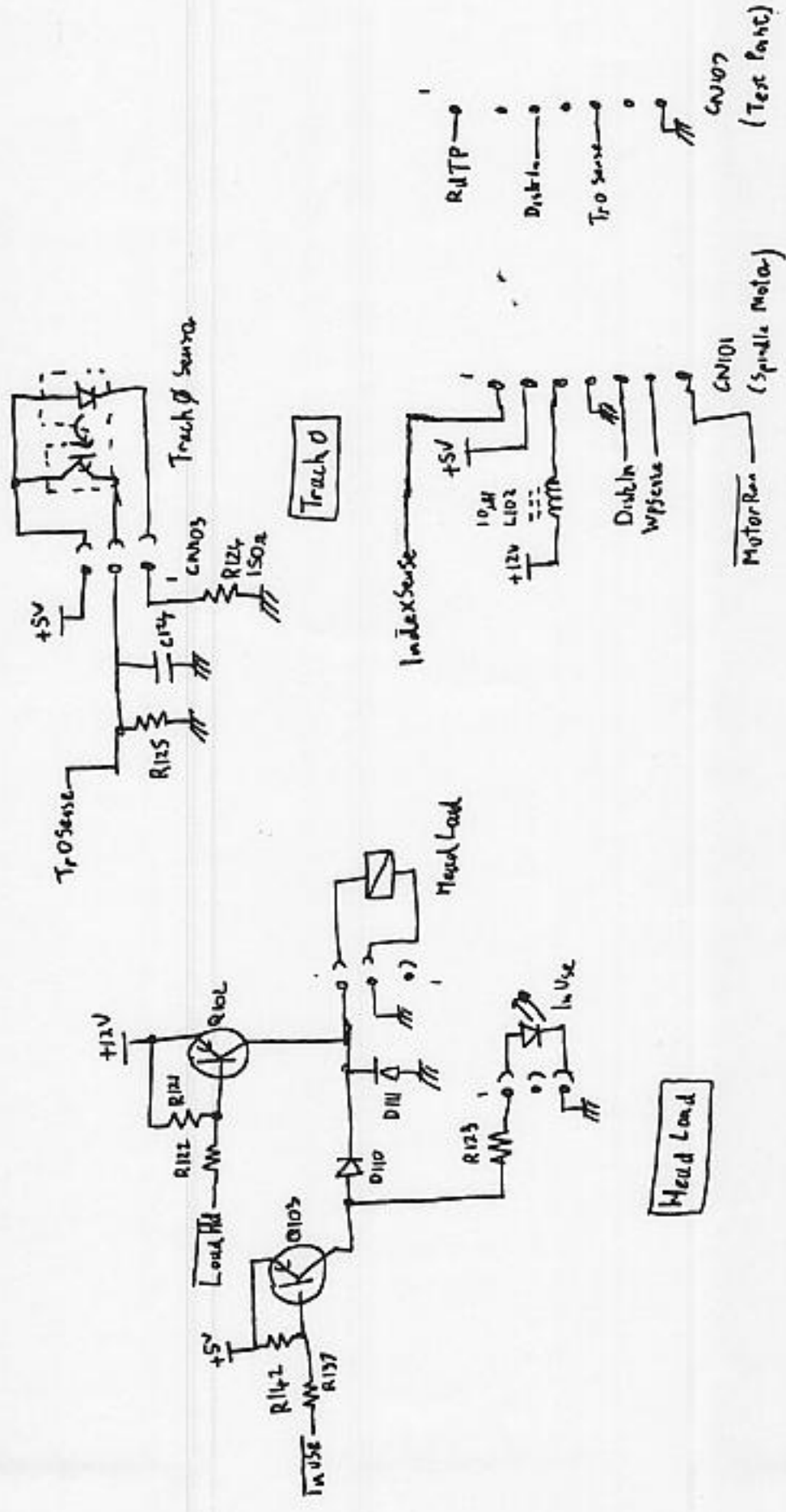
Sony Floppy Drive Logic Board FC16 Sheet 1



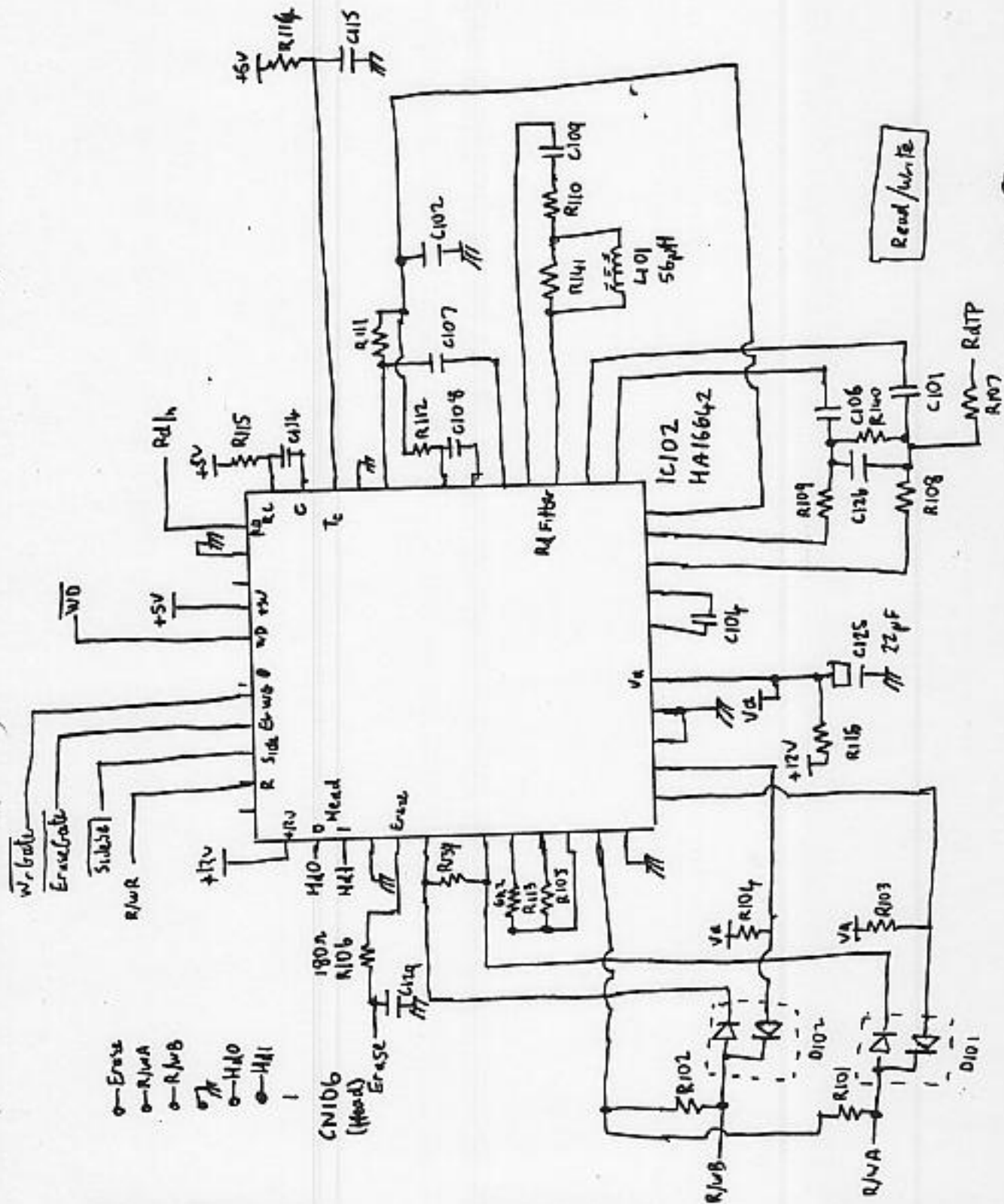
Interfacing Output



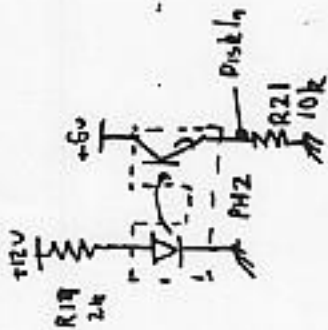
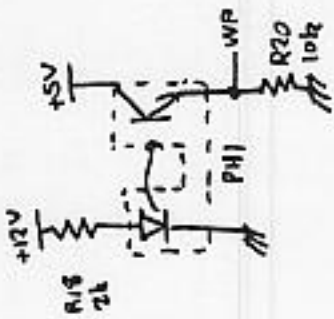
Stepper Driver



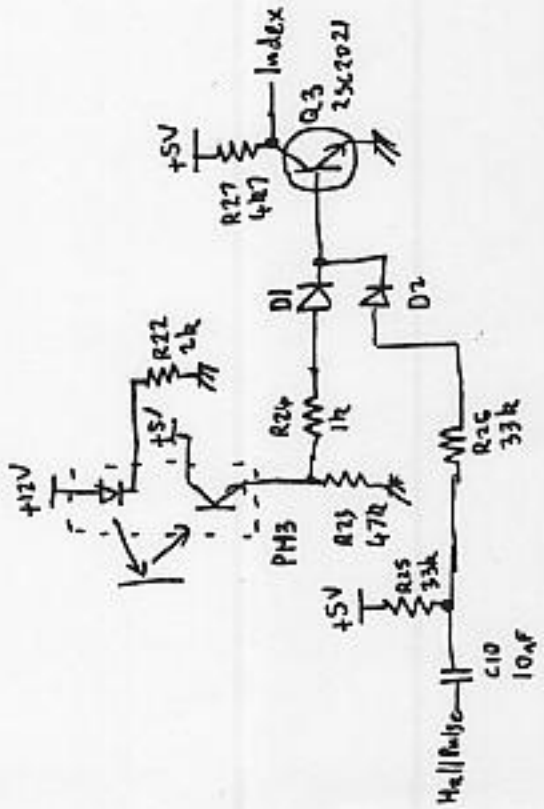
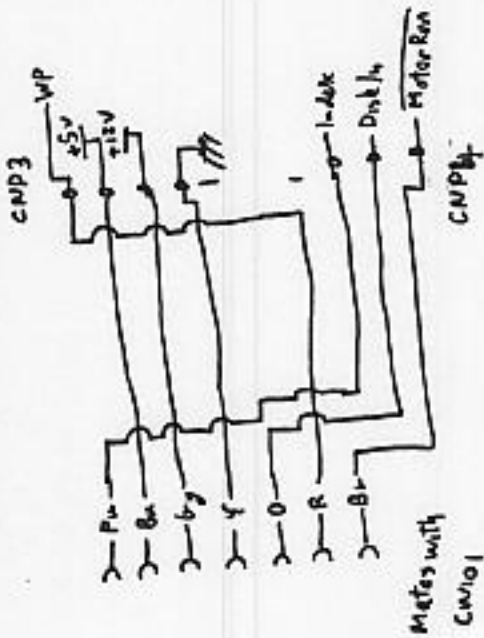
Sony Floppy Drive Logic Board PCB Sket 2



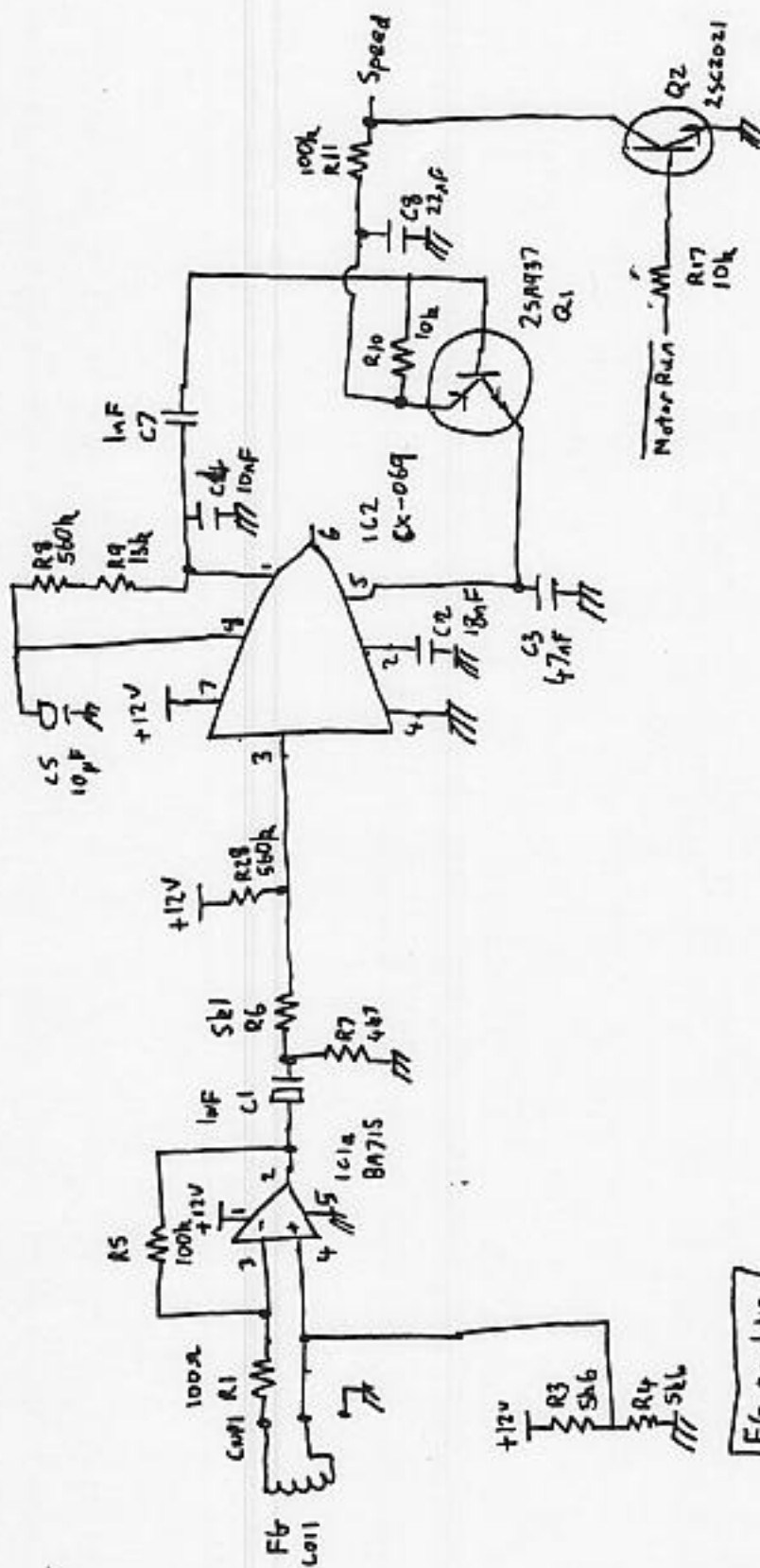
Read/Write



Sensors



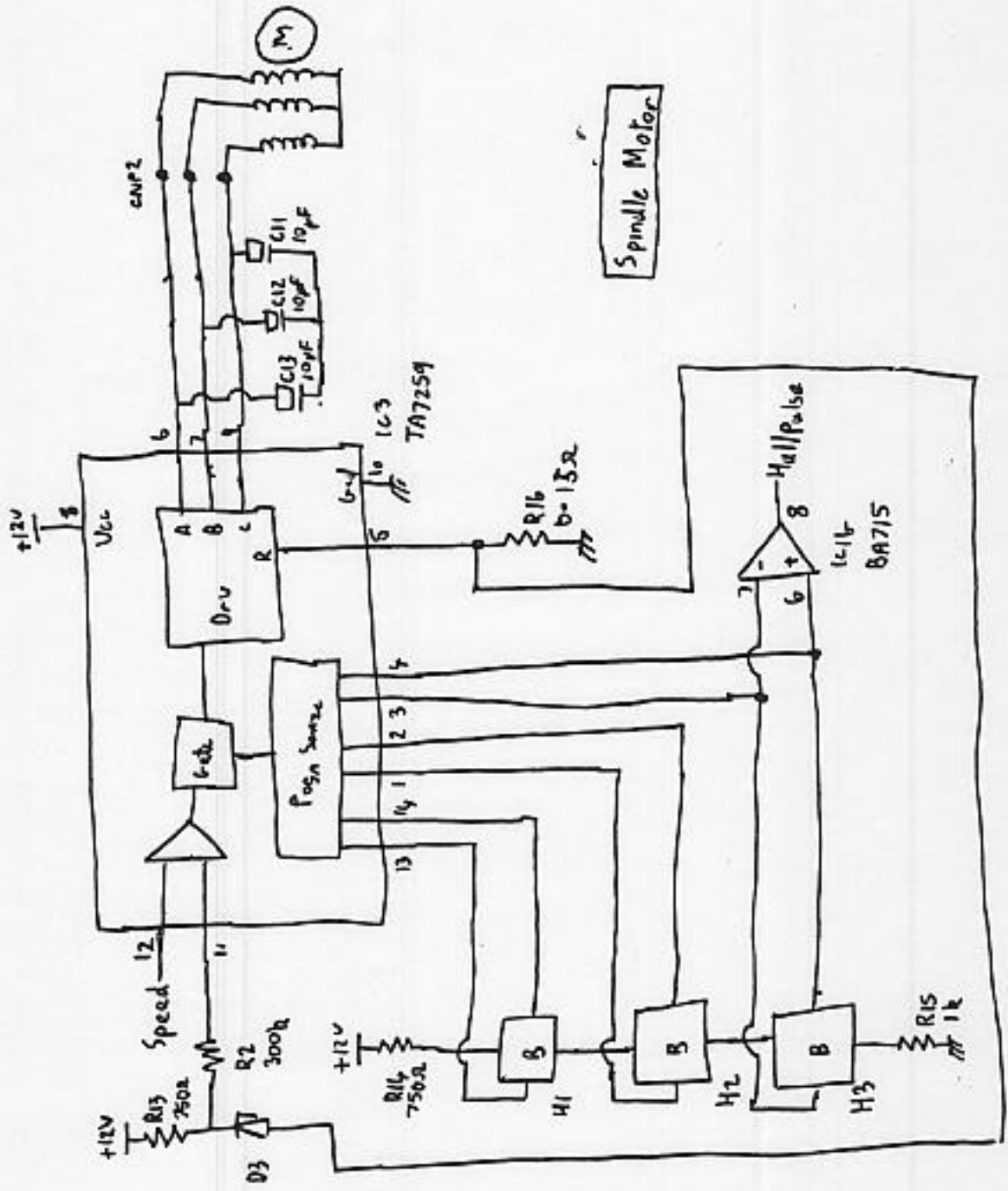
Sony Floppy Drive Spindle Motor Sheet ①



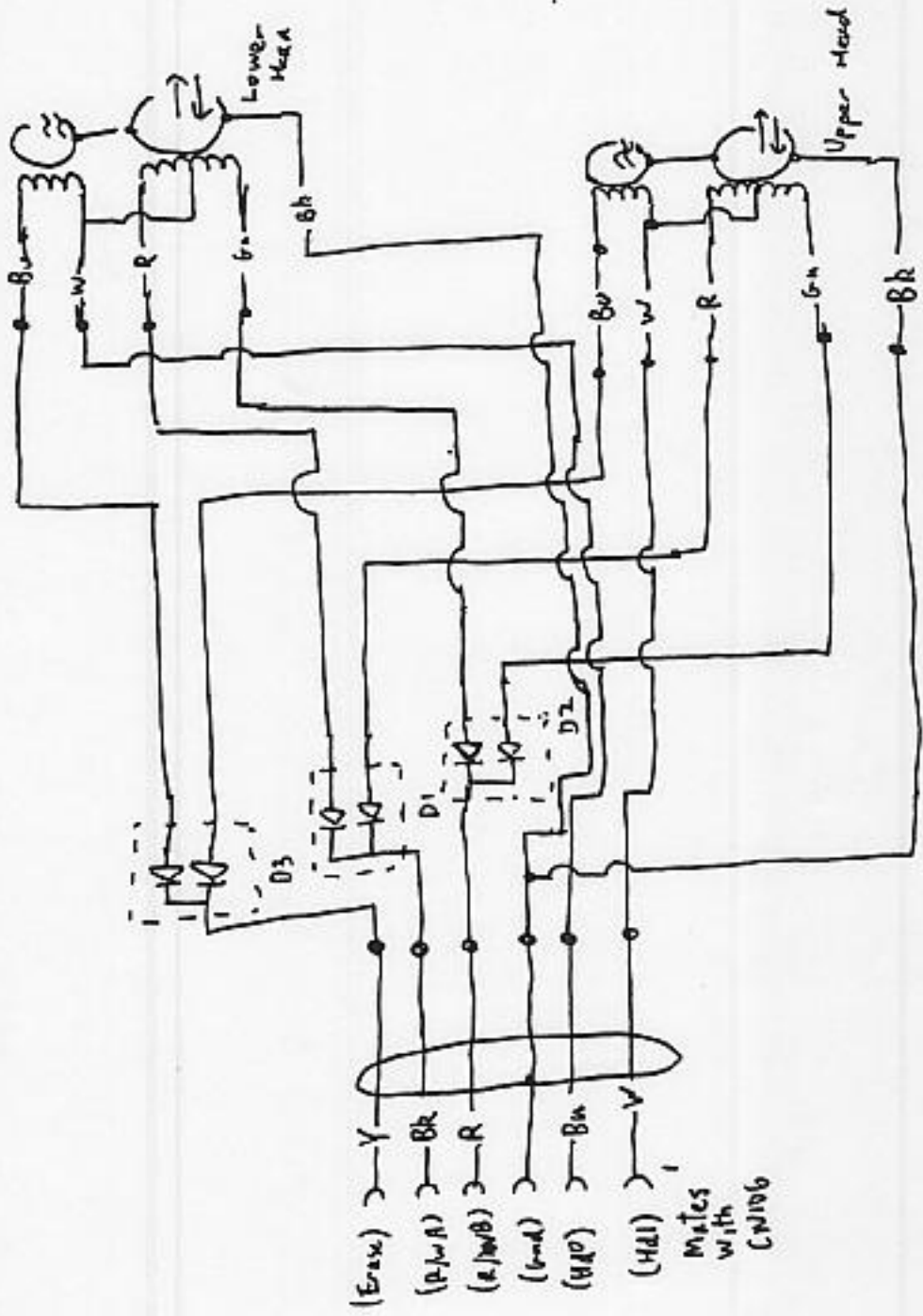
Spindle Speed

FG Amplifier

Sony Floppy Drive Spindle Motor sket 2



Spindle Motor



Sony Floppy Drive Double-Sided Head