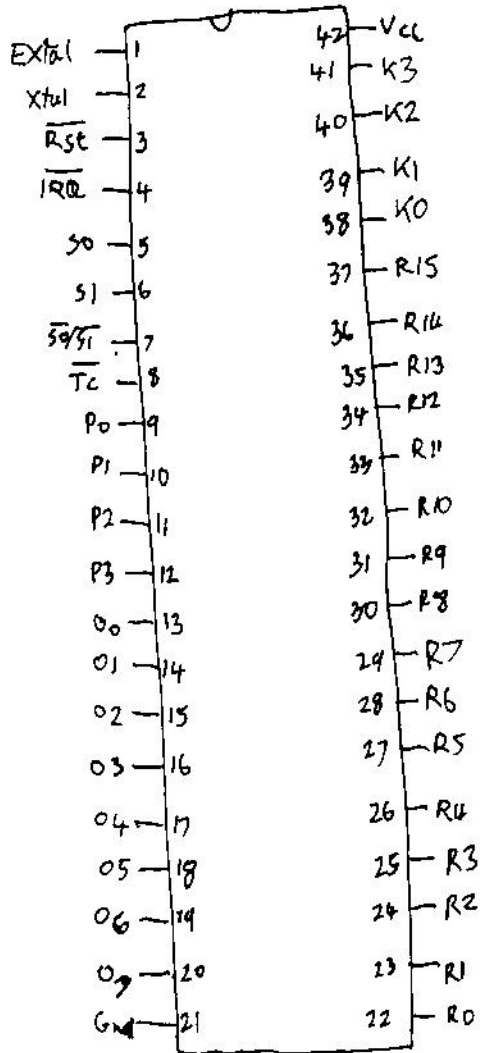
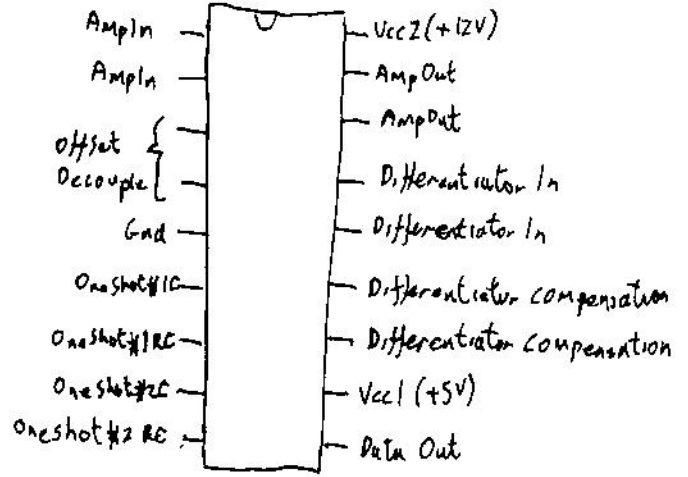


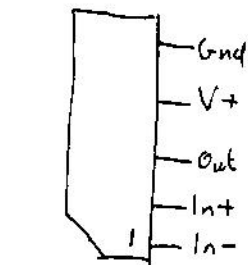
FC6 PCB



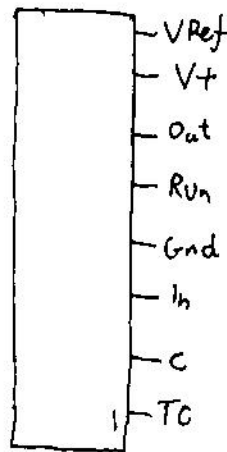
MB8843  
4-bit Microcontroller



MC3470  
Disk Read Chain

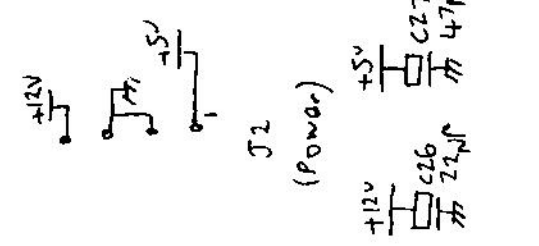
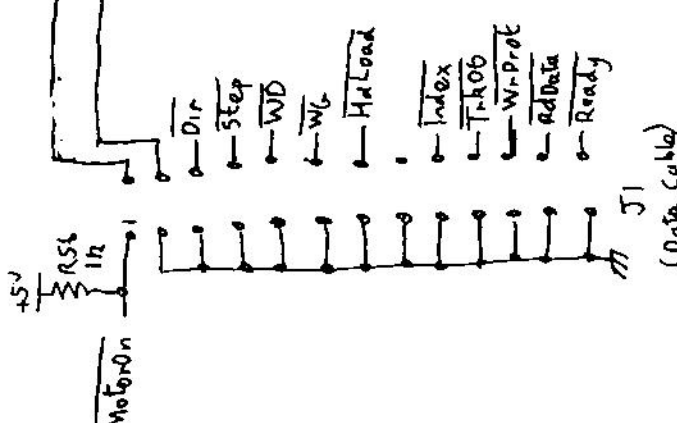
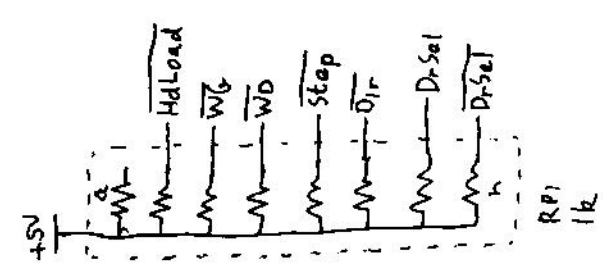
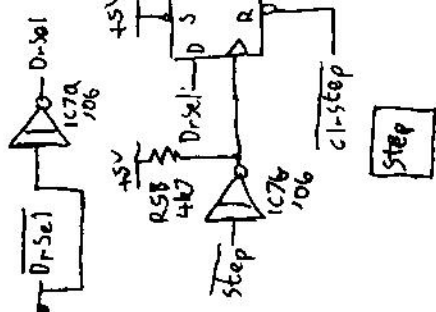
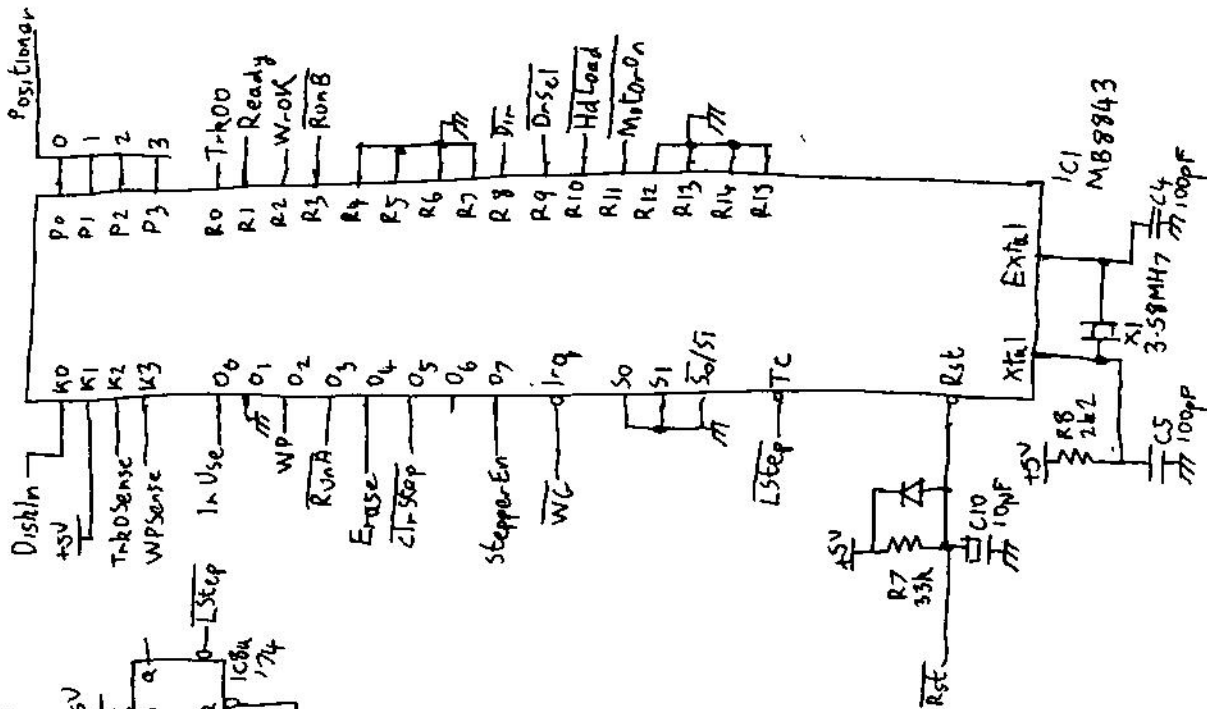
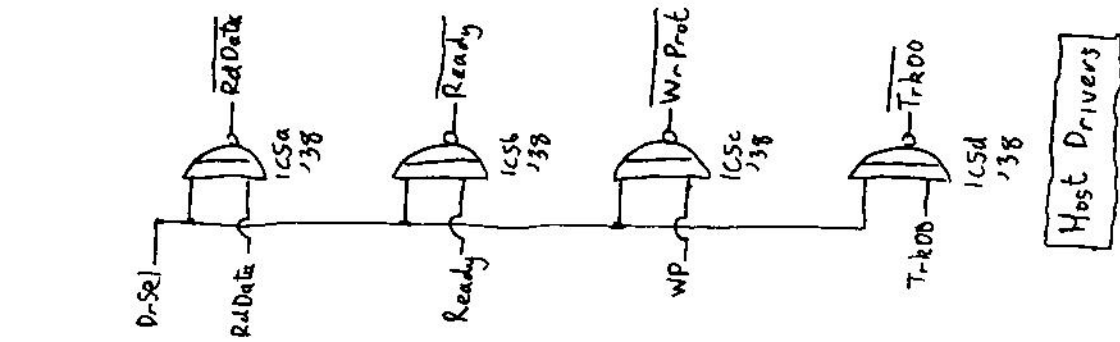


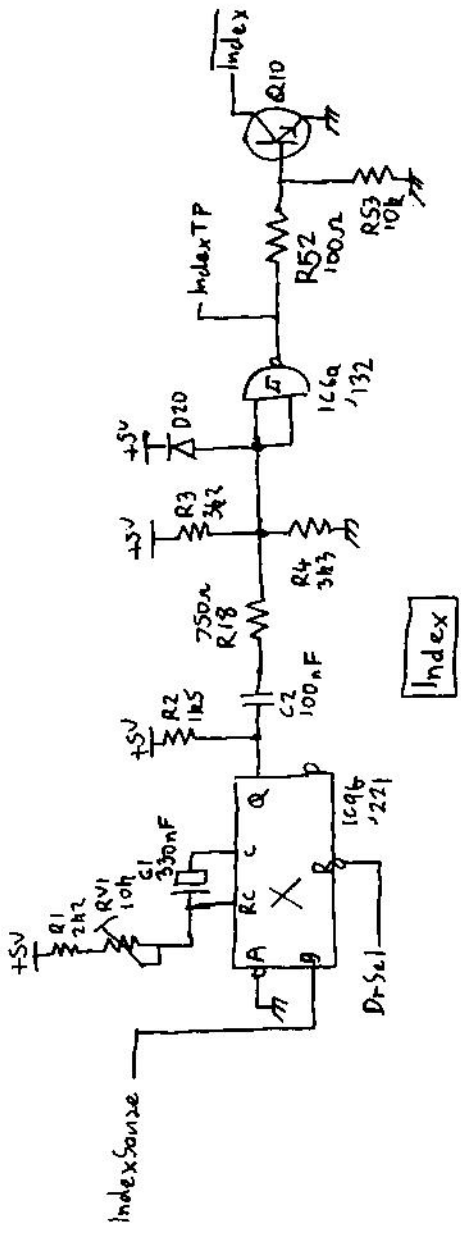
MS1204  
Comparator



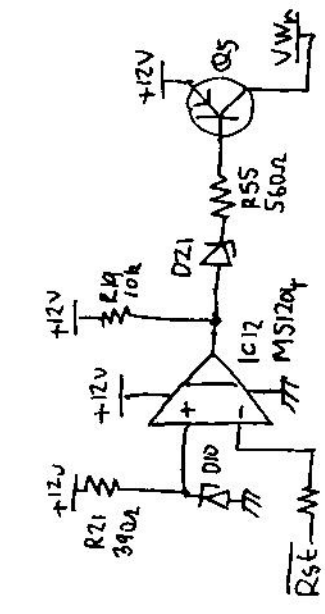
CX-069  
Motor Controller



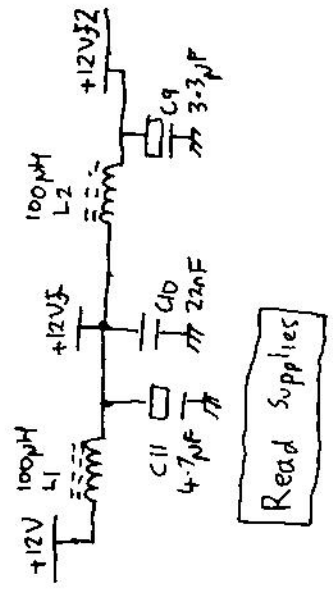




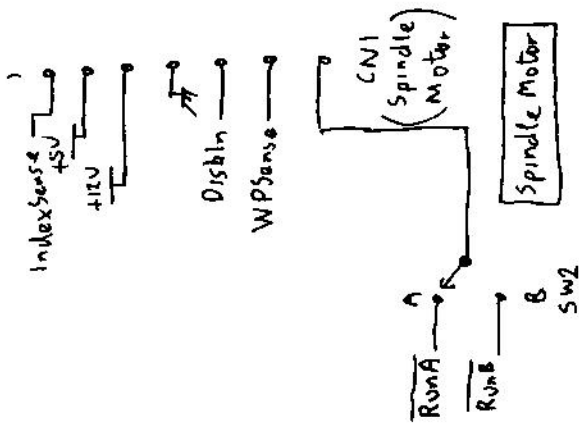
Index



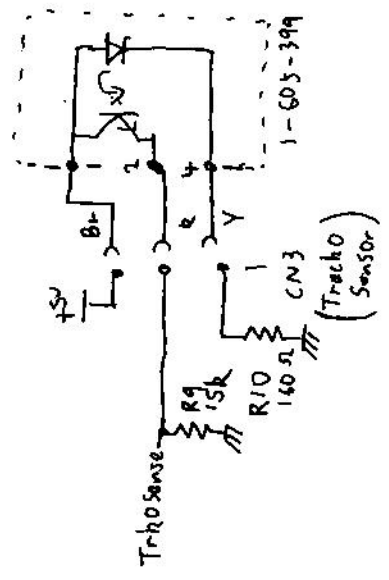
Power OK



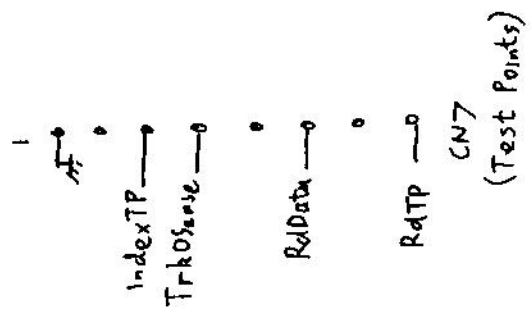
Read Supplies



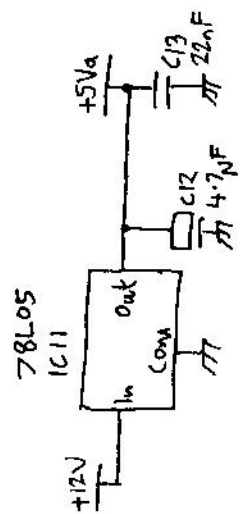
Spindle Motor



Track 0 Sensor

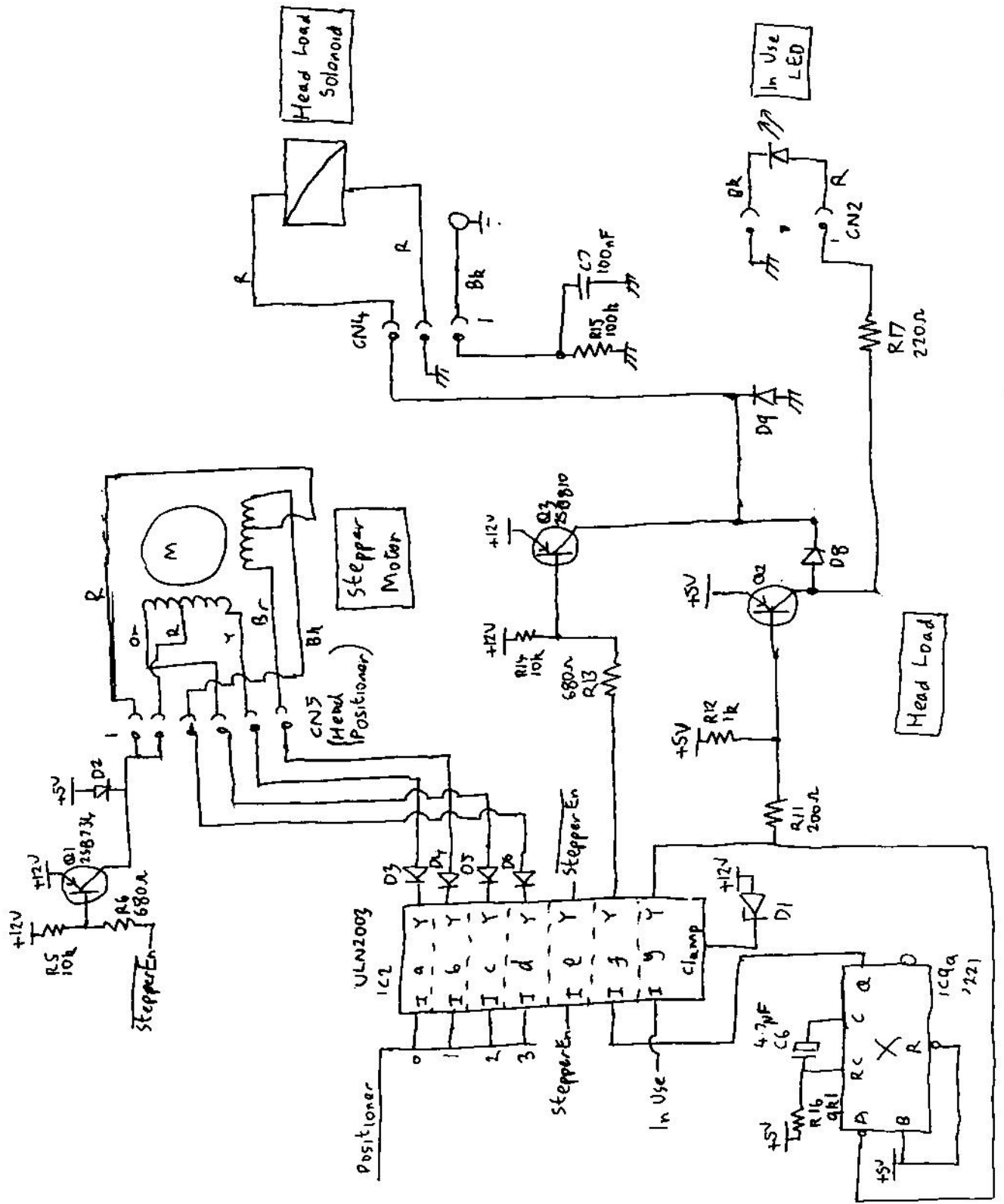


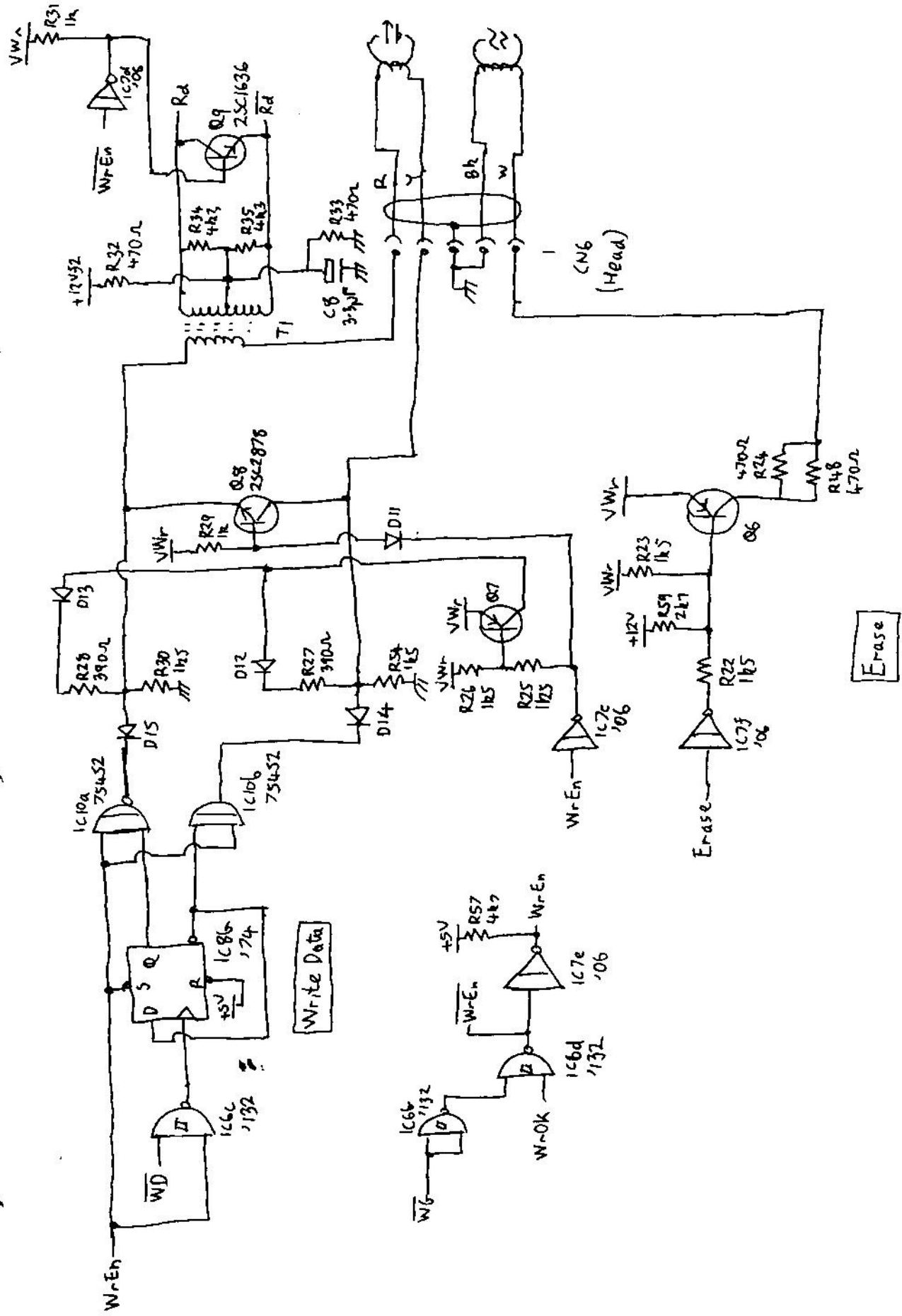
Test Points

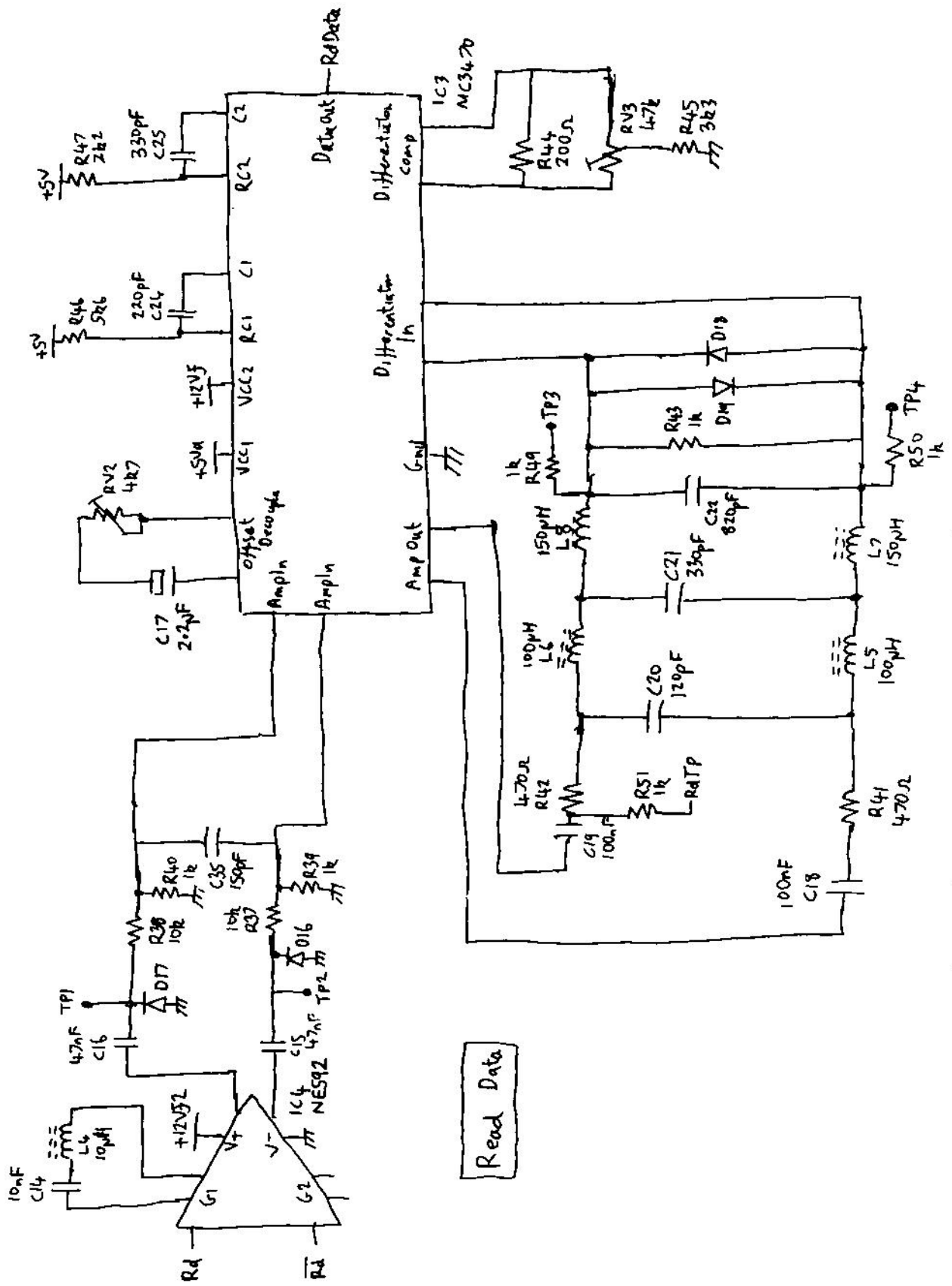


Sony Single-Head Disk Drive sheet ②

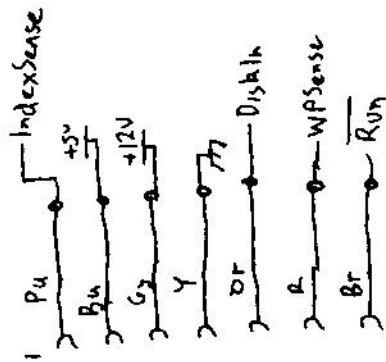
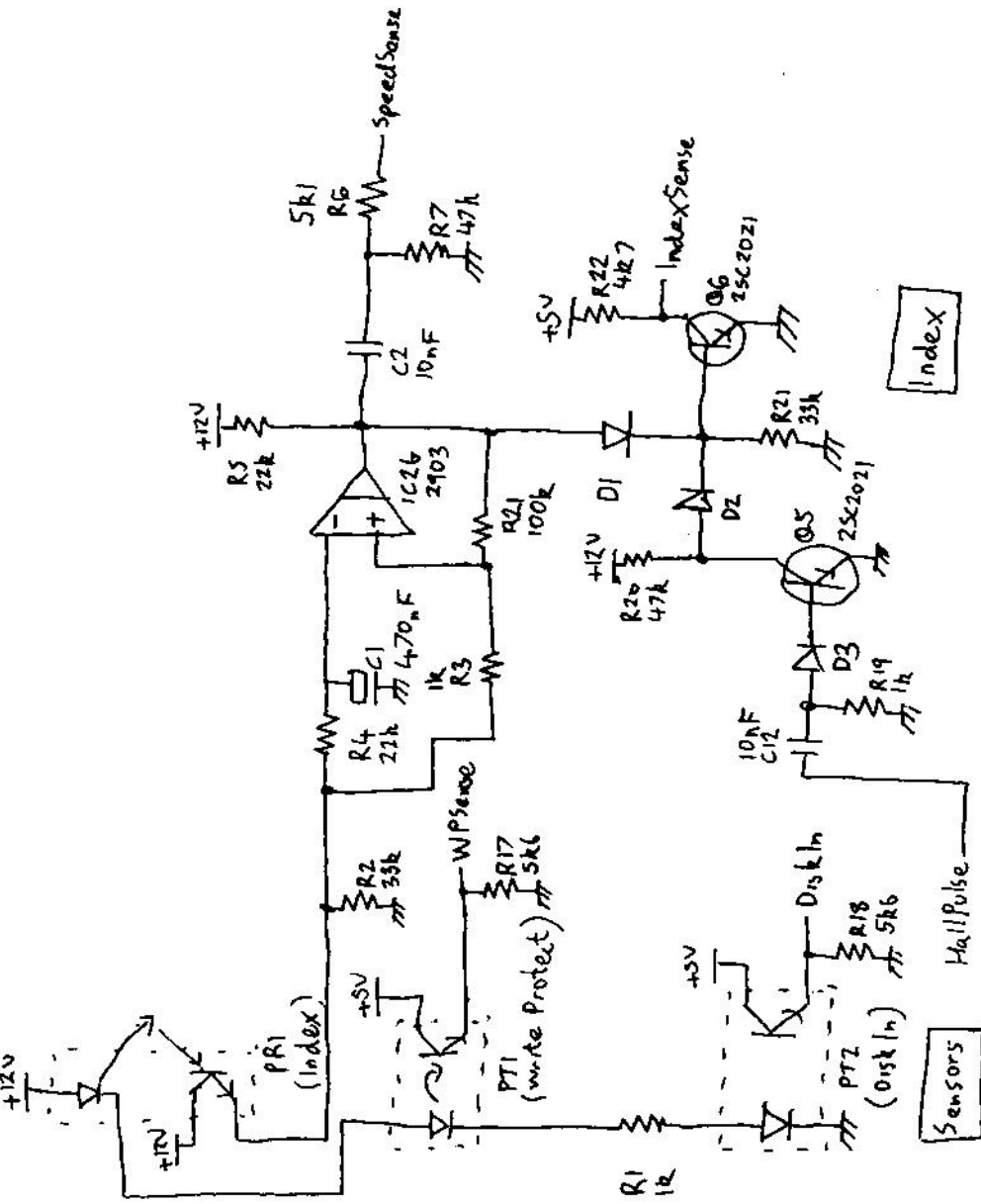
FG-6 PCB



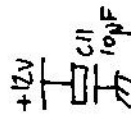


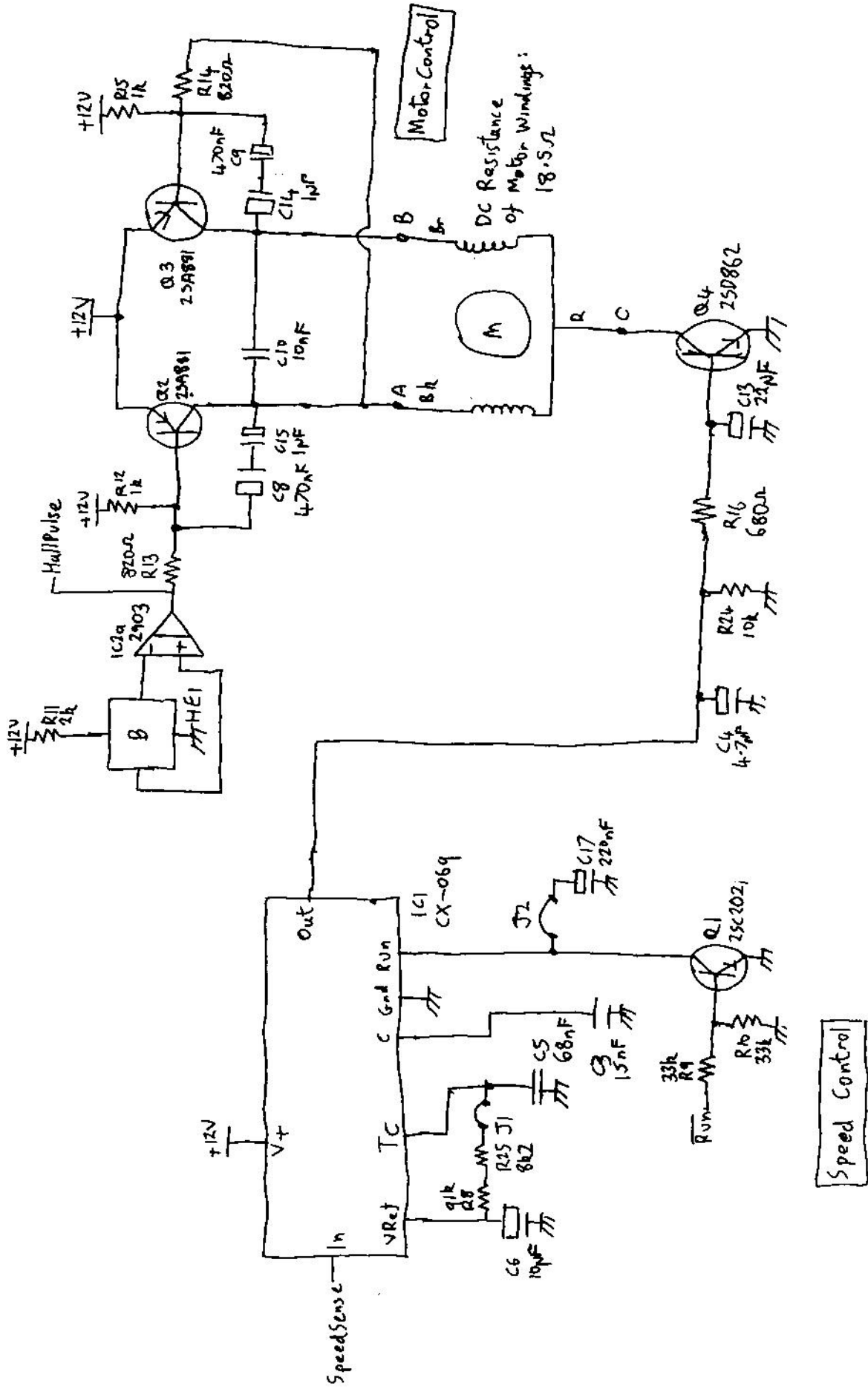


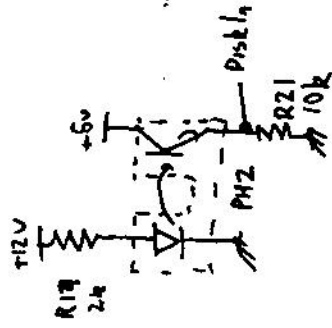
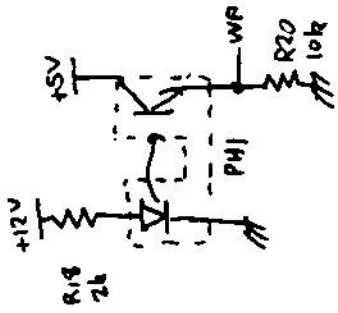
Read Data



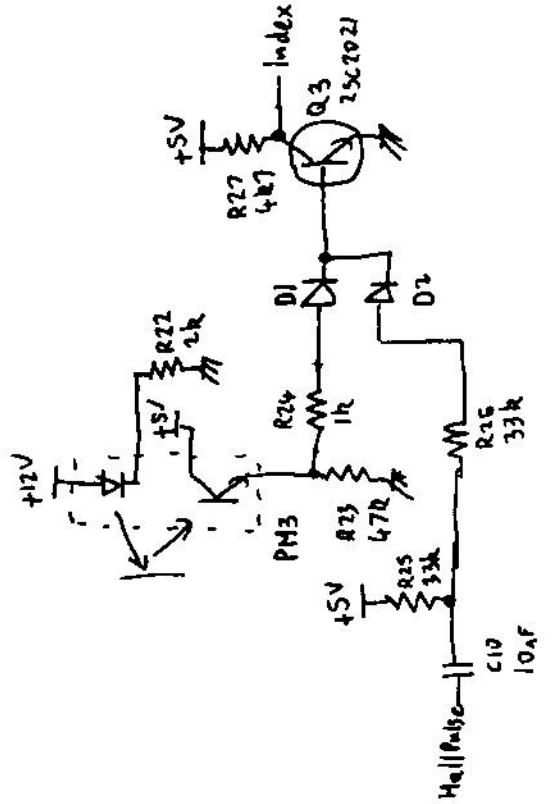
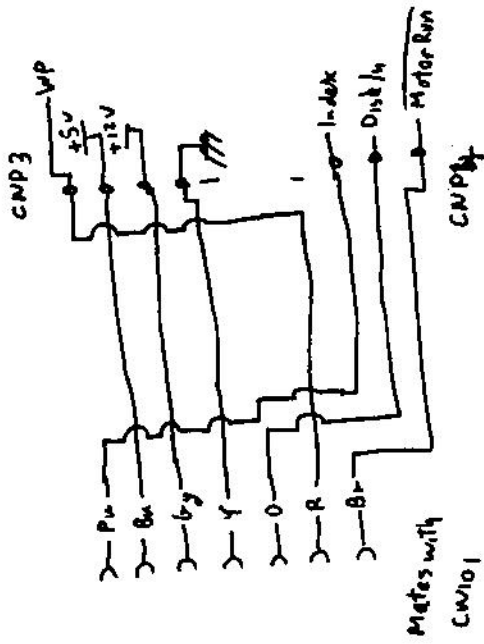
(To CNI)





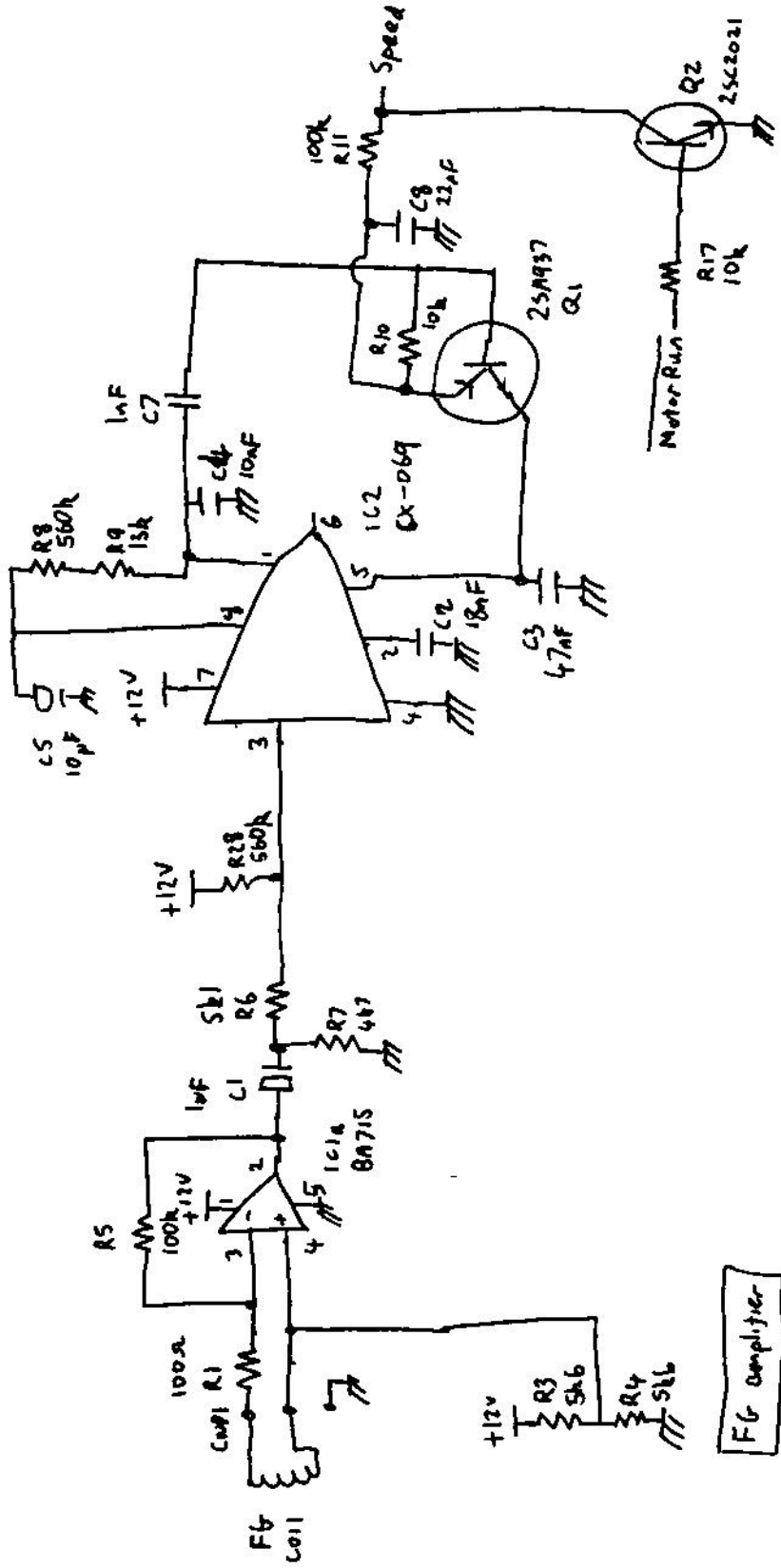


Sensors



Sony Floppy Drive Spindle Motor. Sheet ①

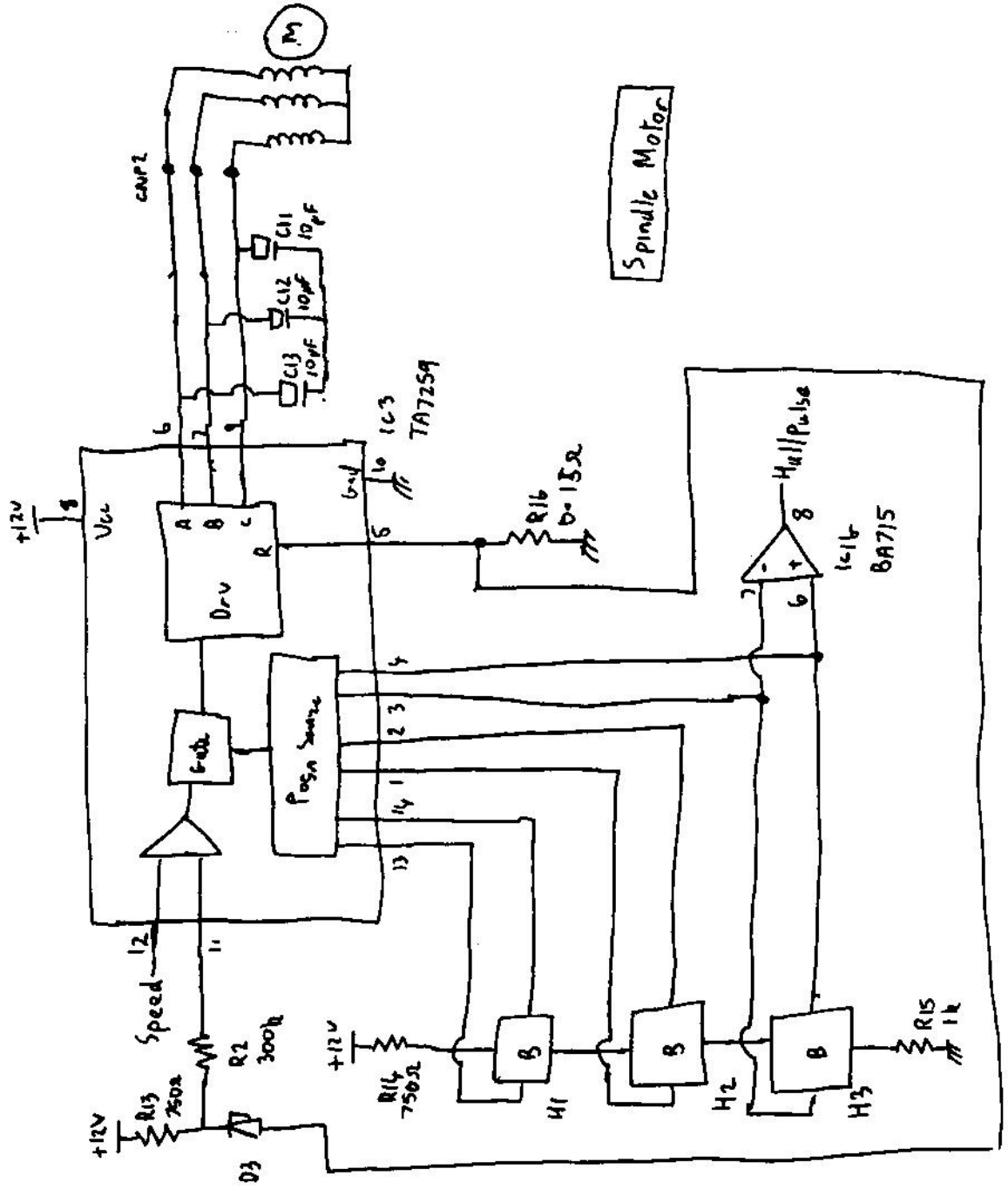




Spindle Speed

FG amplifier

Sony Floppy Drive Spindle Motor sheet 2



Spindle Motor