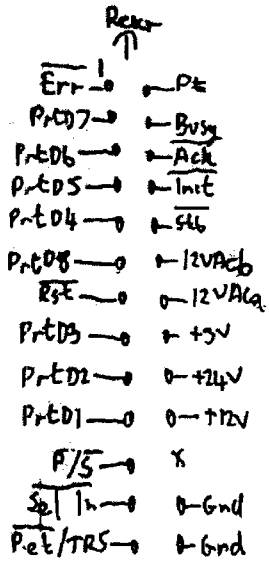
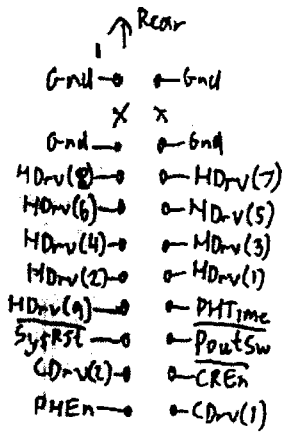


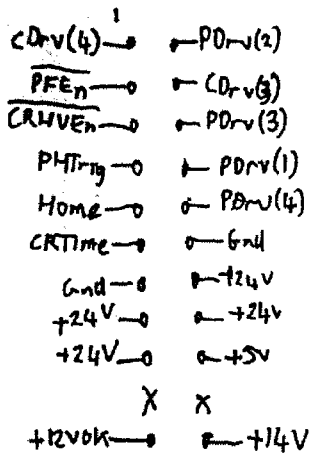
# HP82905



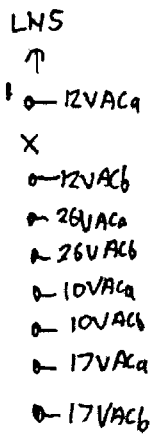
## CN3 (Interface PCB)



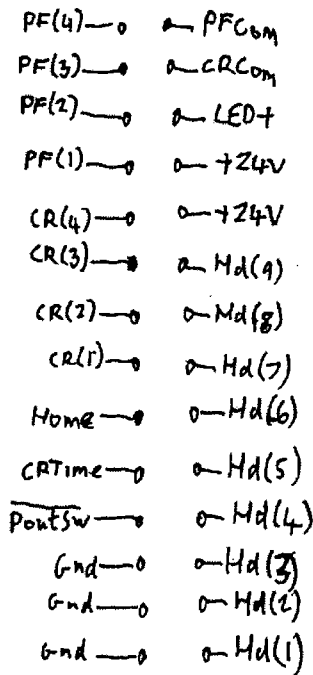
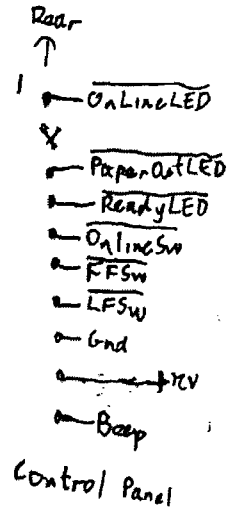
## CN4



## CN5 (Driver PCB)

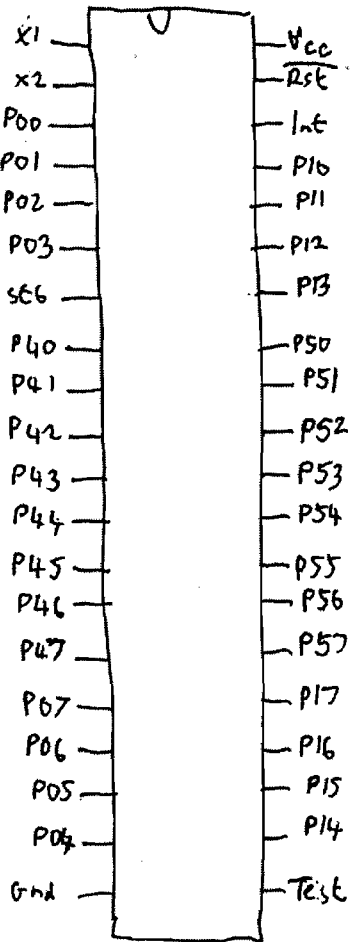


## CN2 (Transformer)

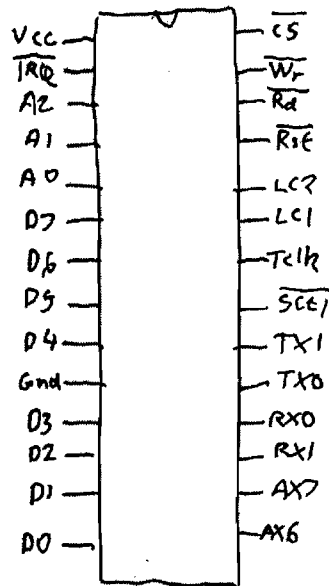


## CN6 (Mechanism)

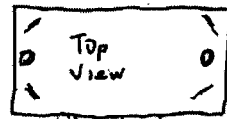
HPB2905



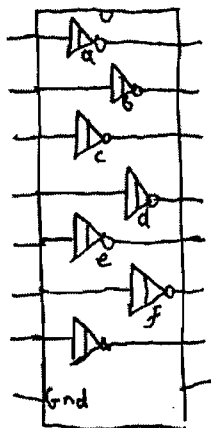
MK3870  
Microcontroller



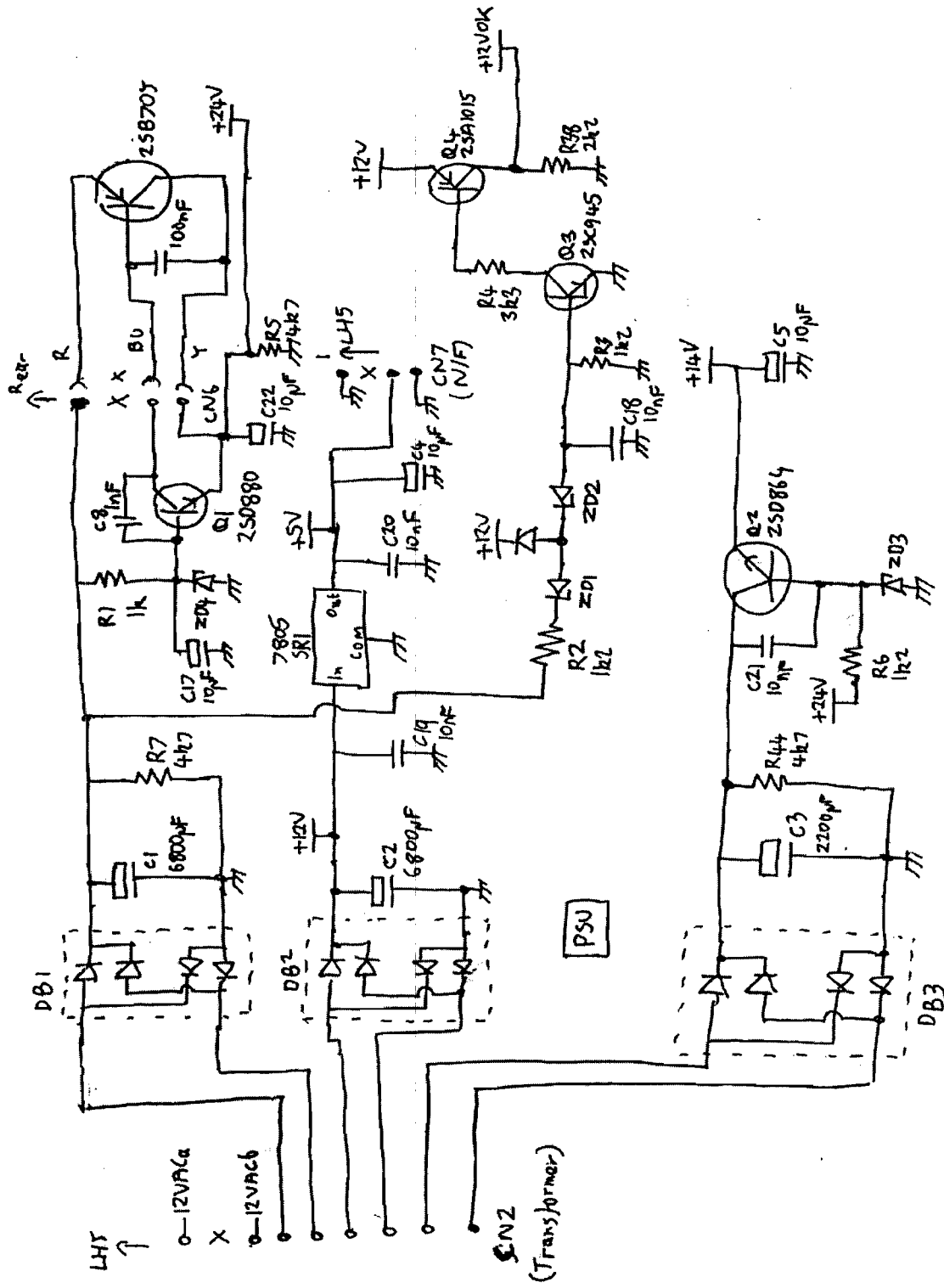
1LB3  
HPIL Interface

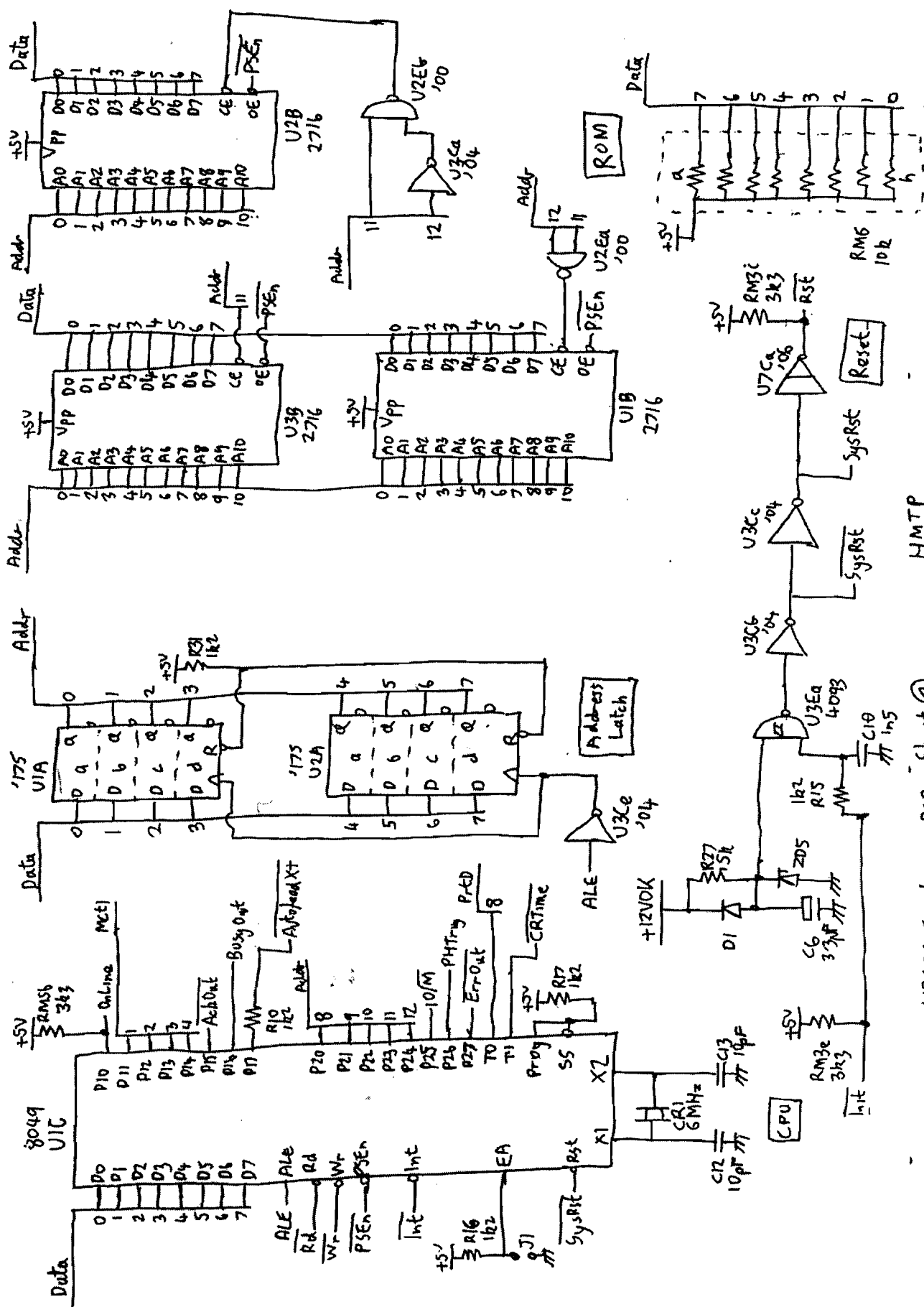


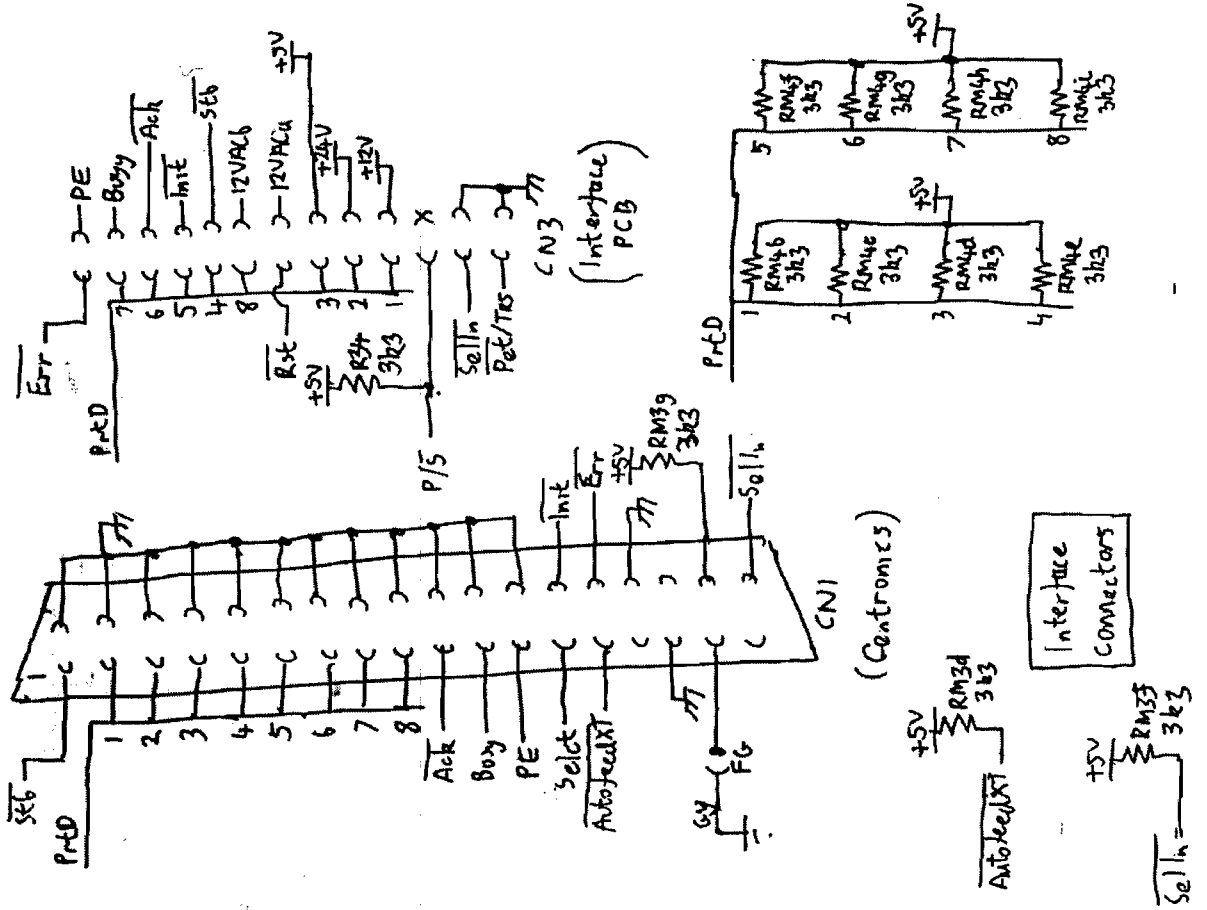
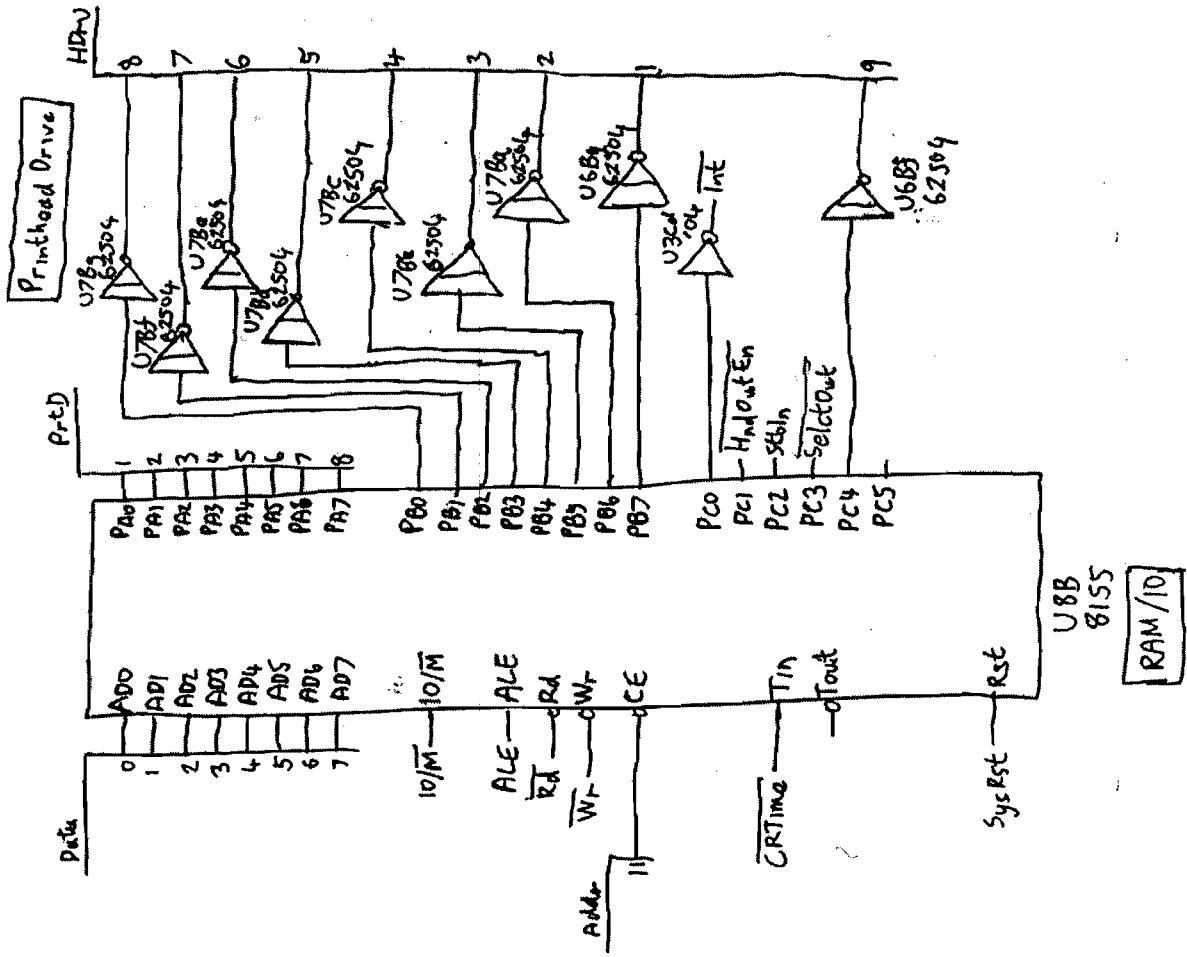
2SB705  
PNP  
Transistor



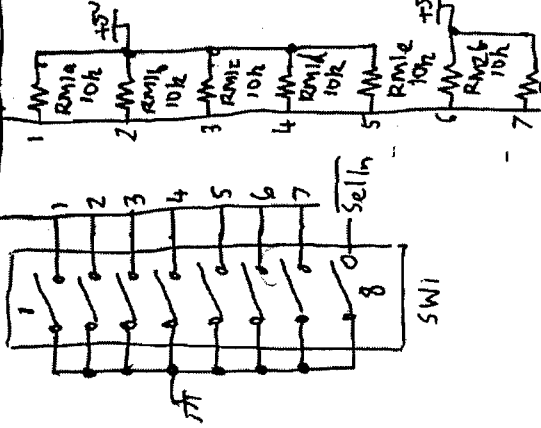
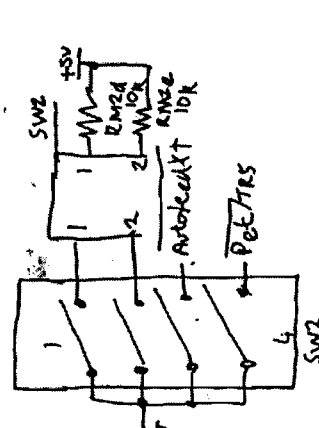
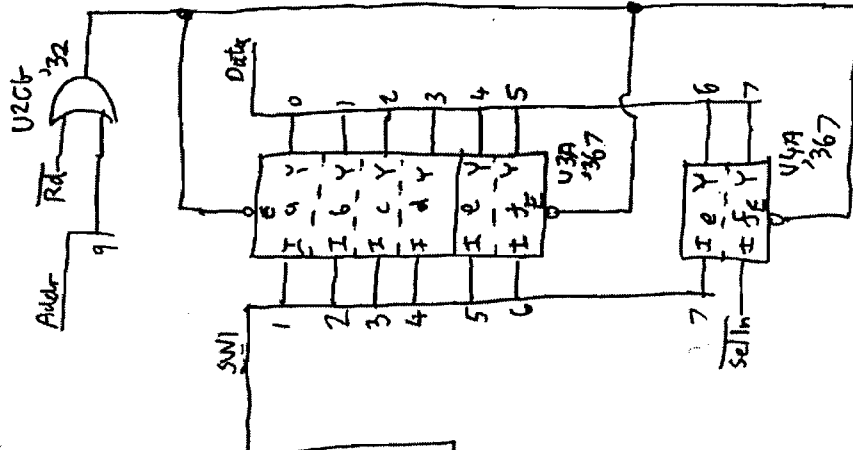
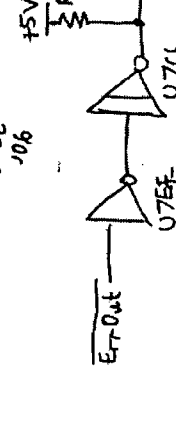
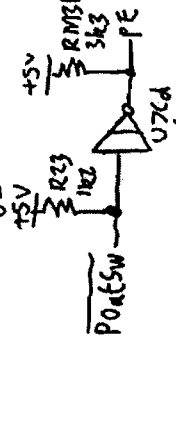
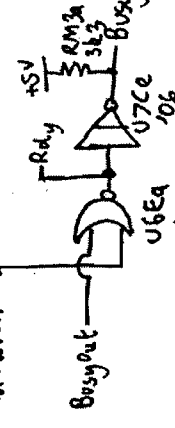
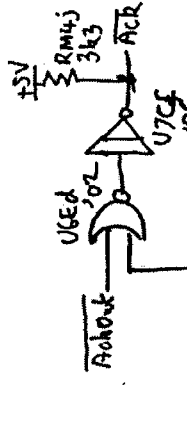
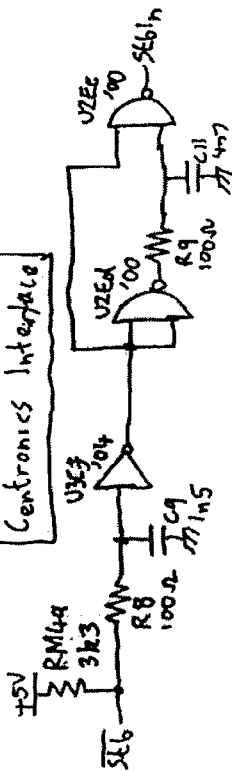
7062504  
7-stage  
open collector  
NOR



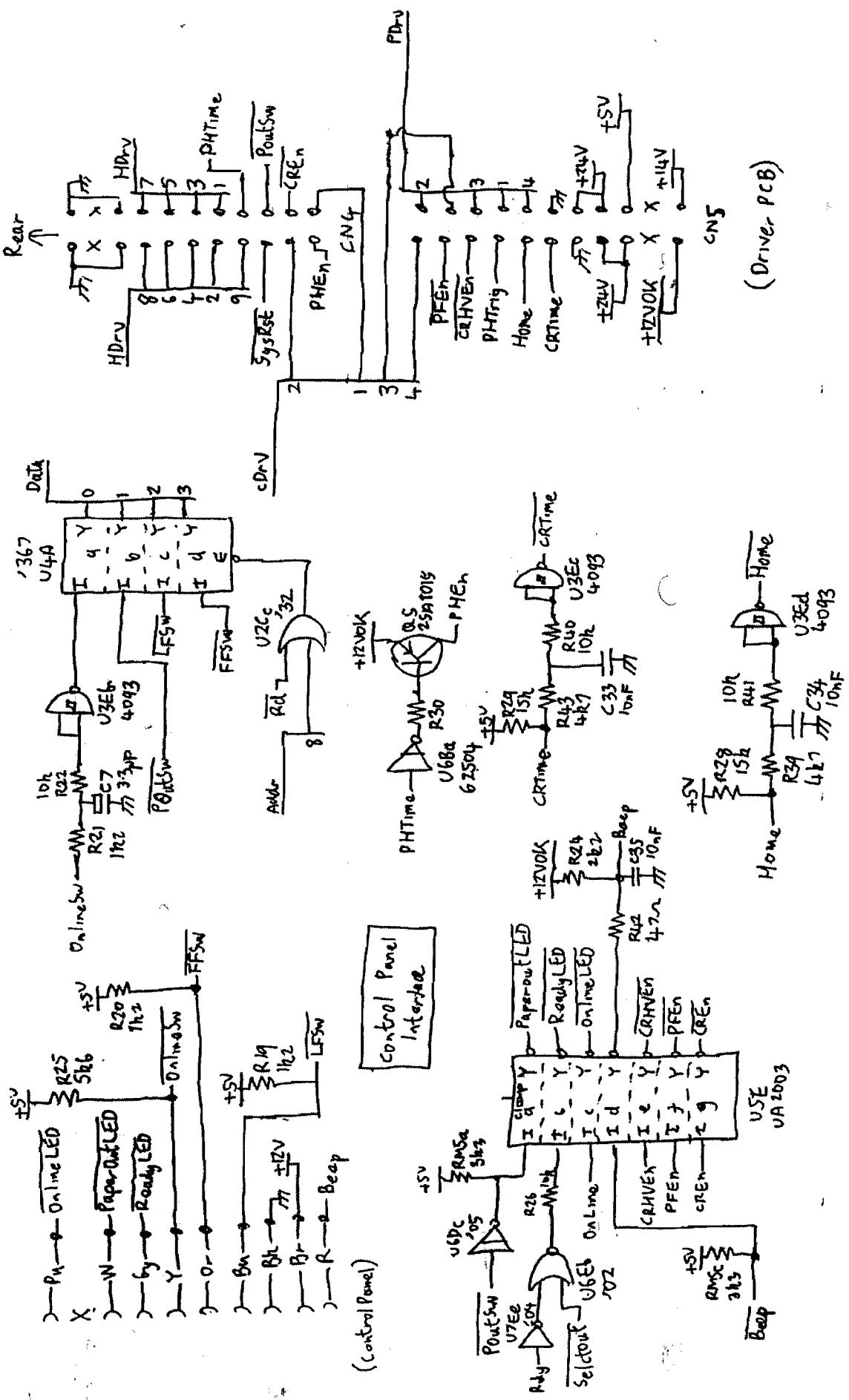




Centronics Interface

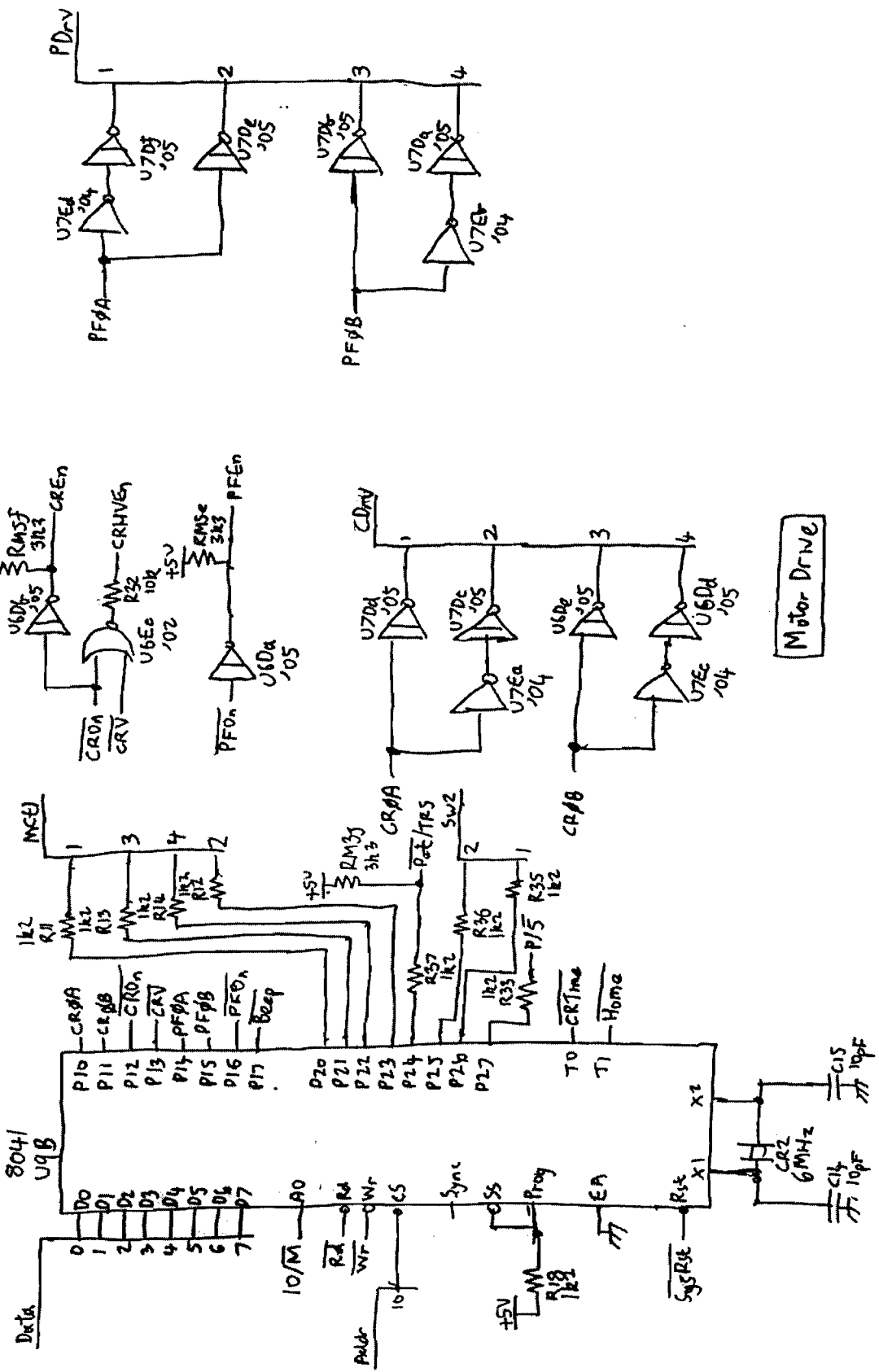


Config Switches



(Driver PCB)

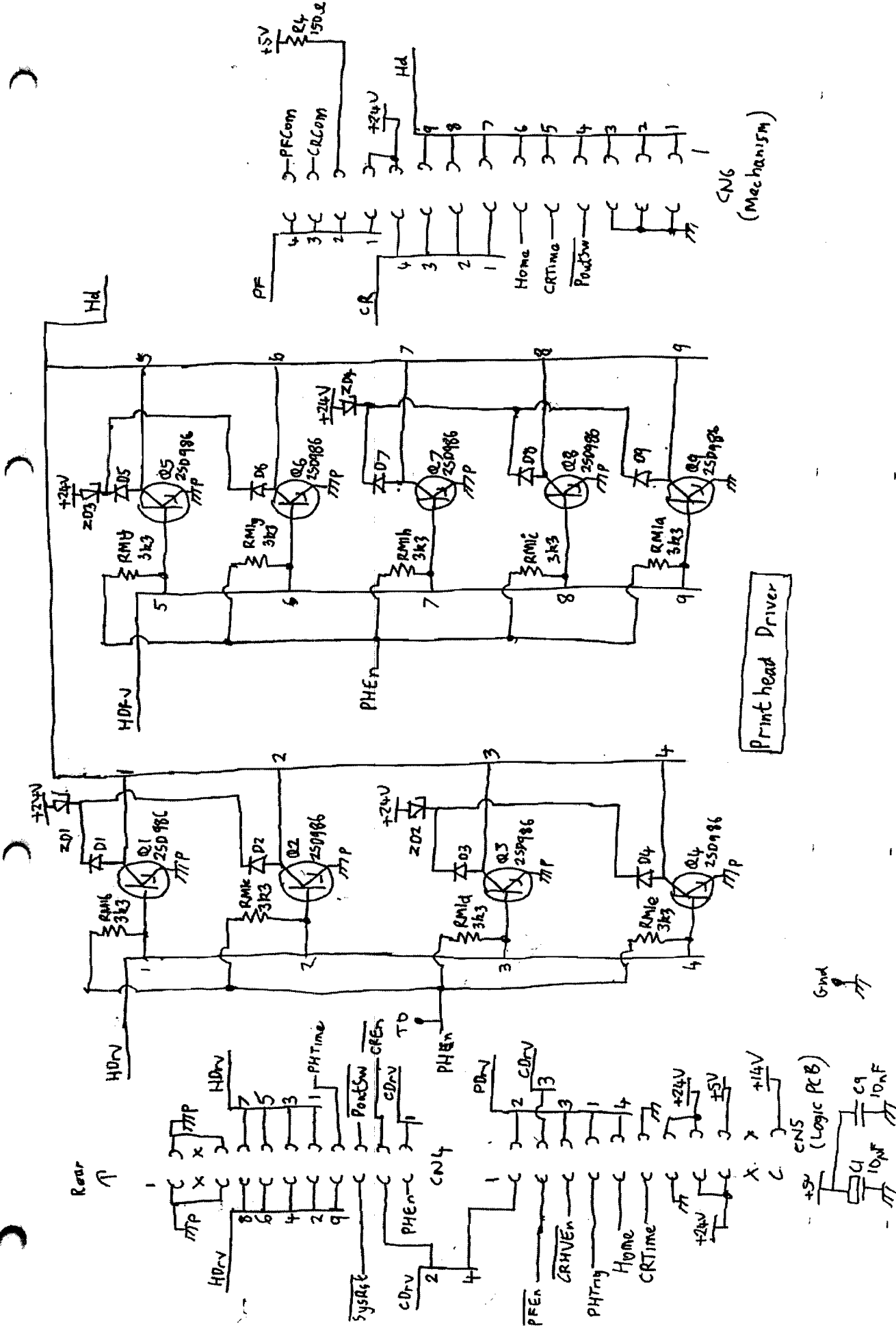
Sensors



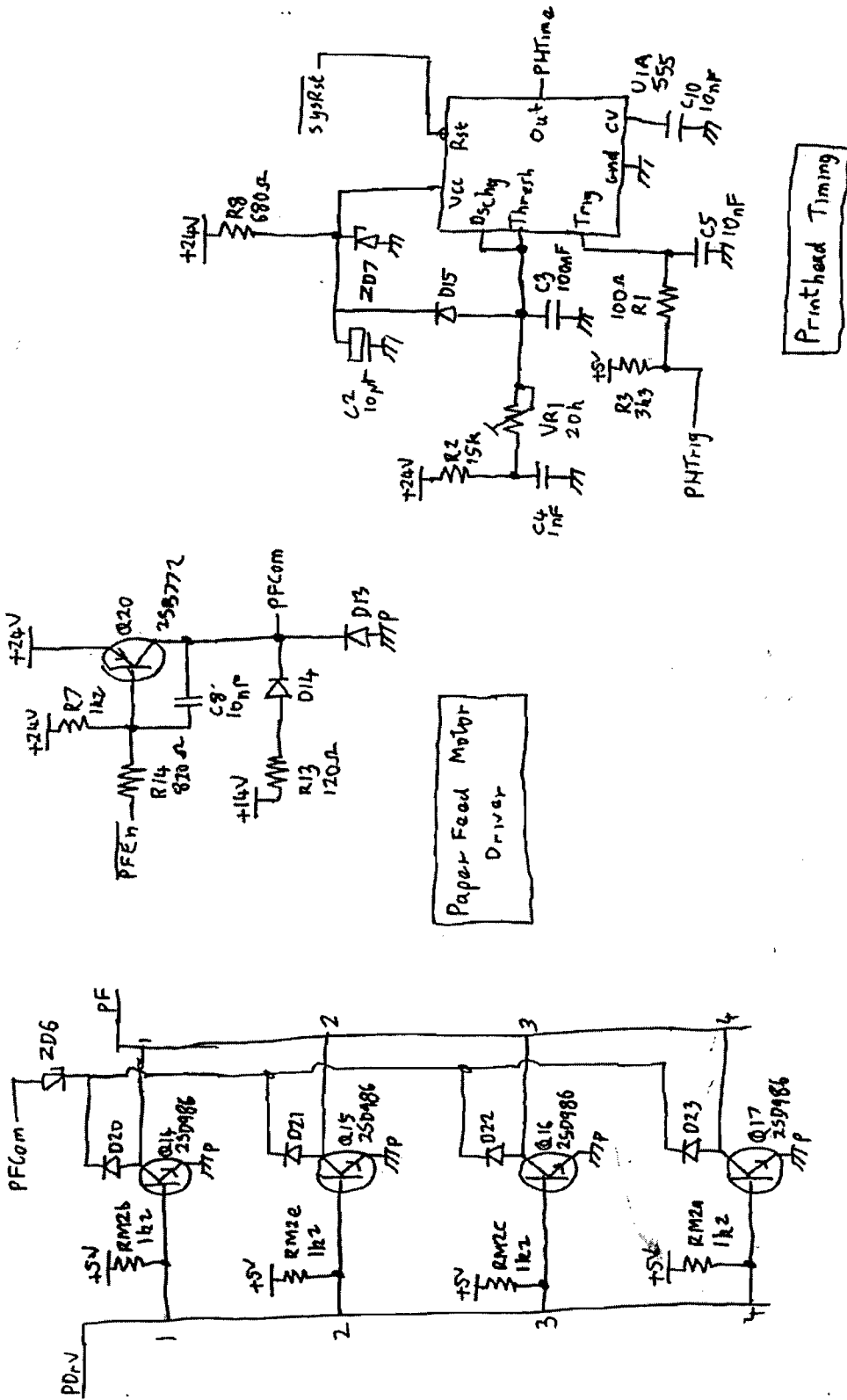
Motor Drive

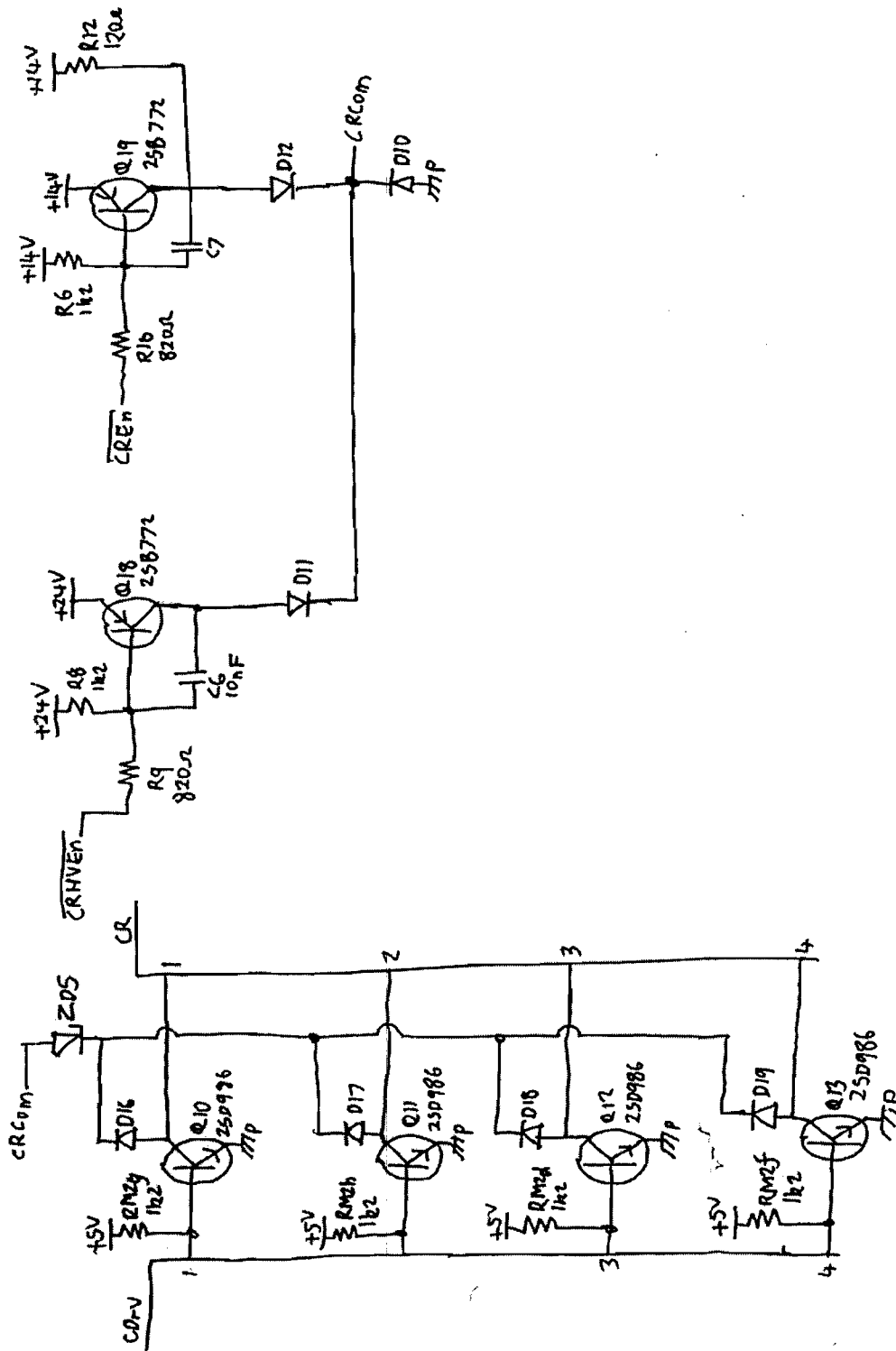
Motor Controller

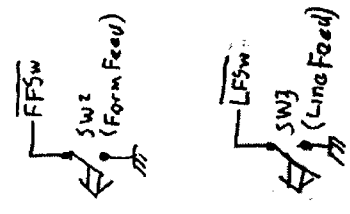
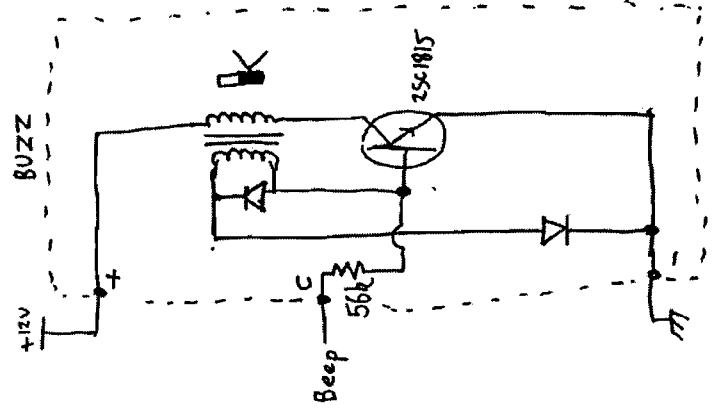
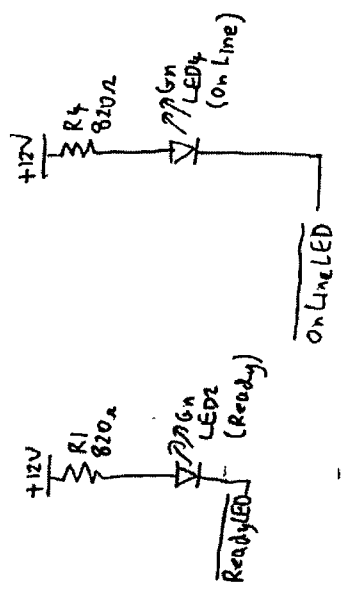
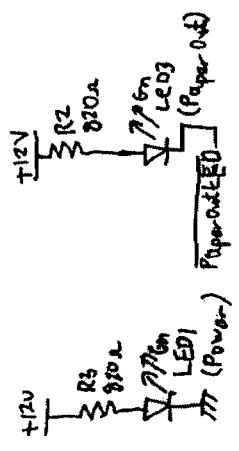
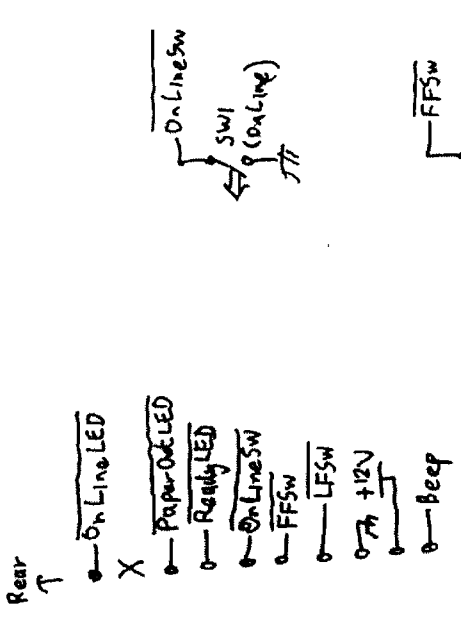


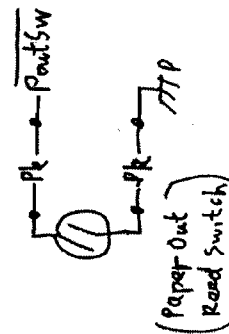
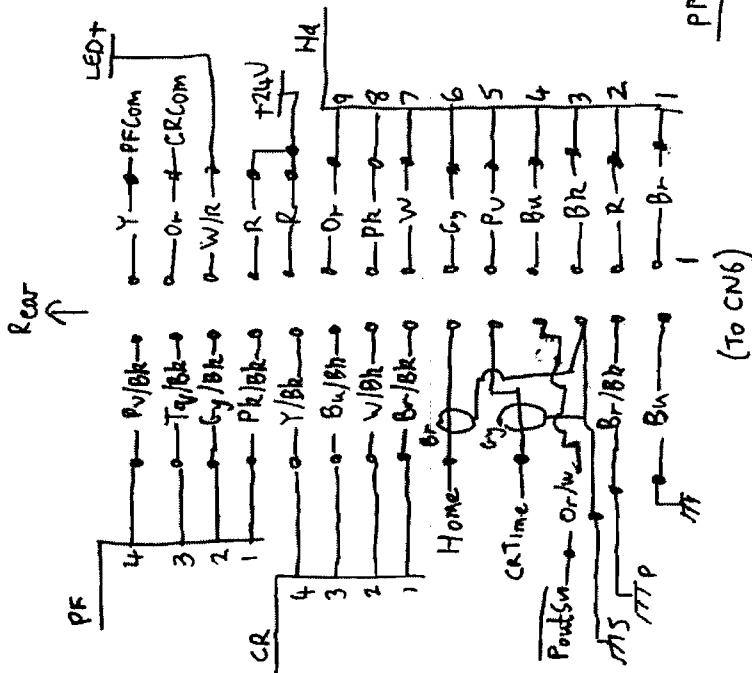
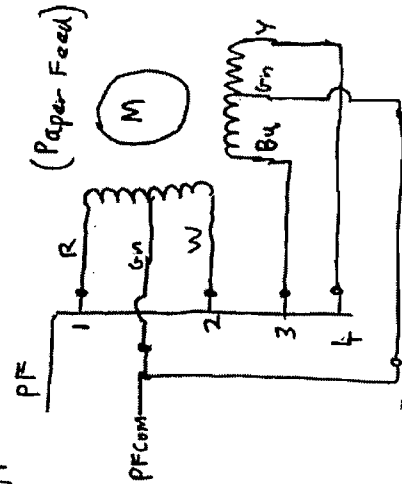
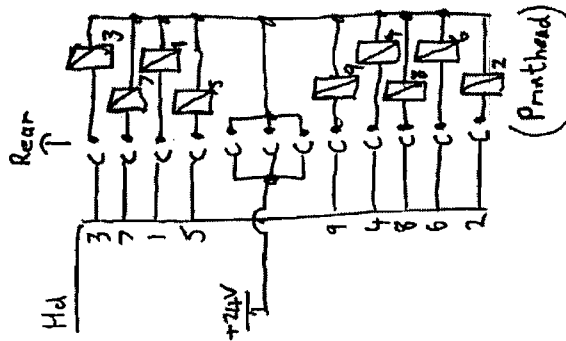
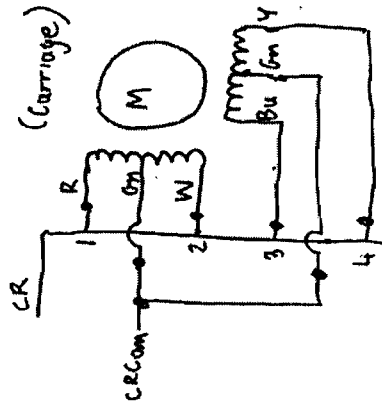
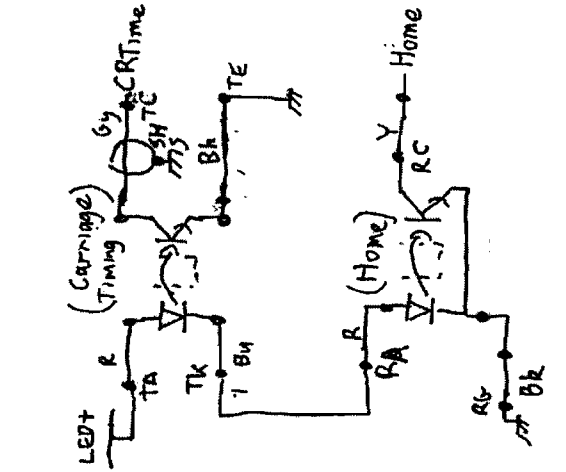


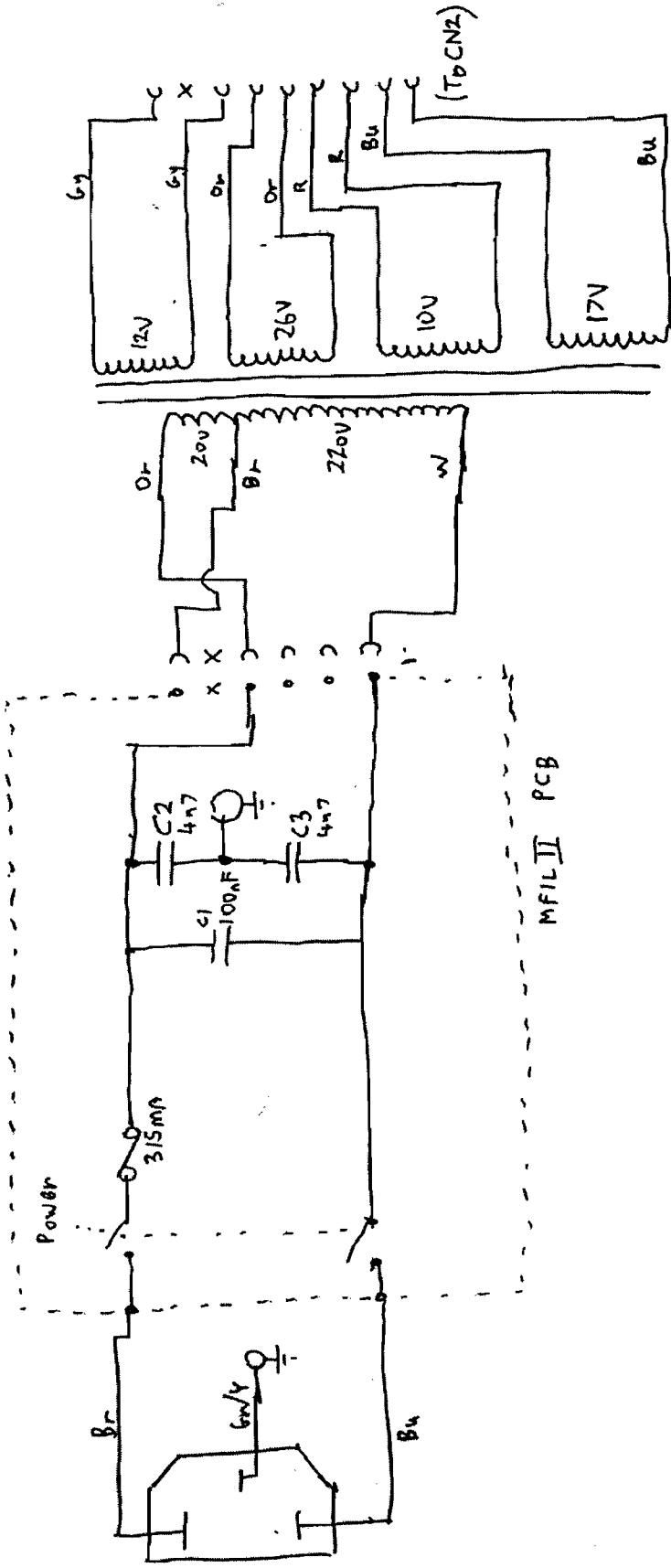
Print head Driver



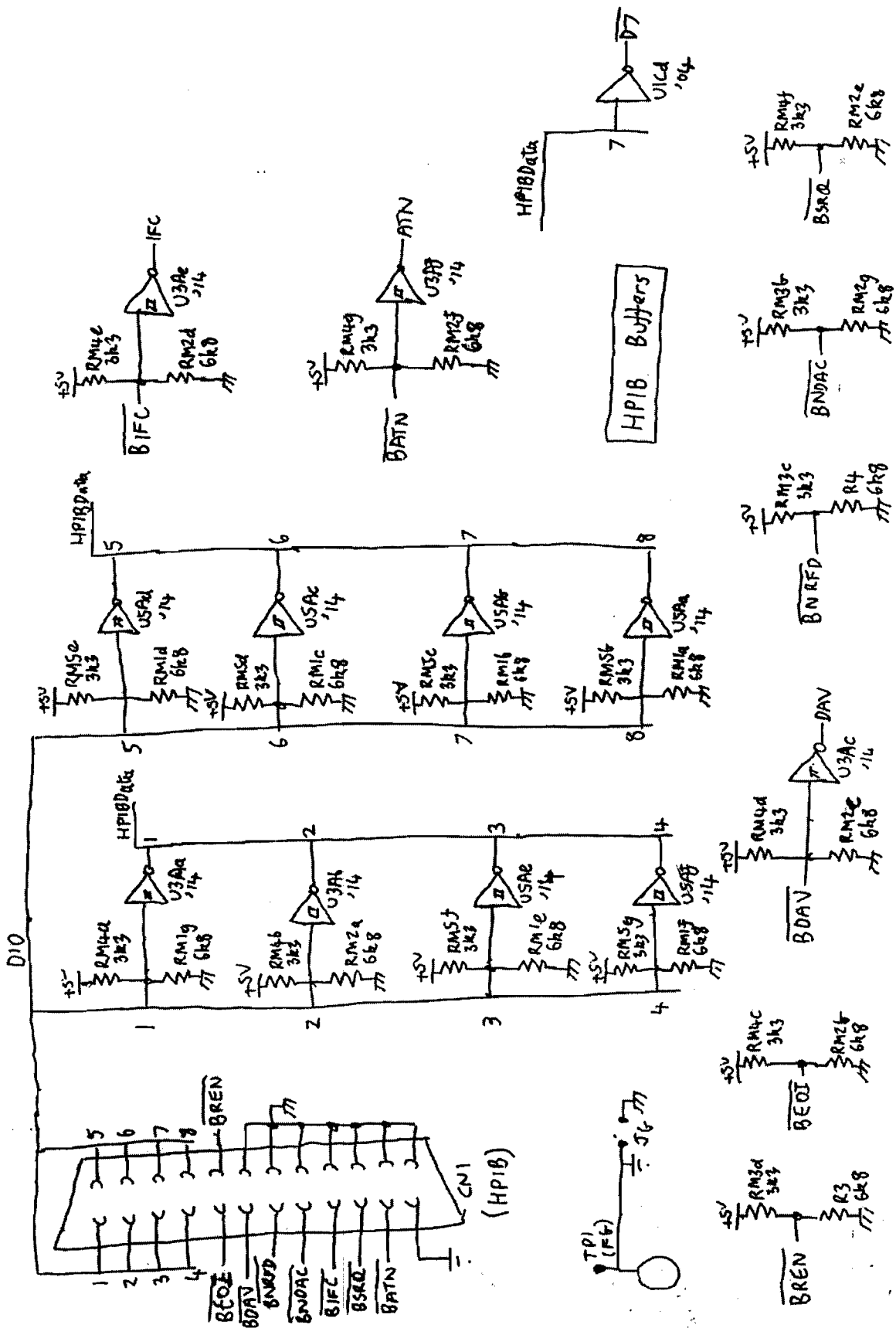


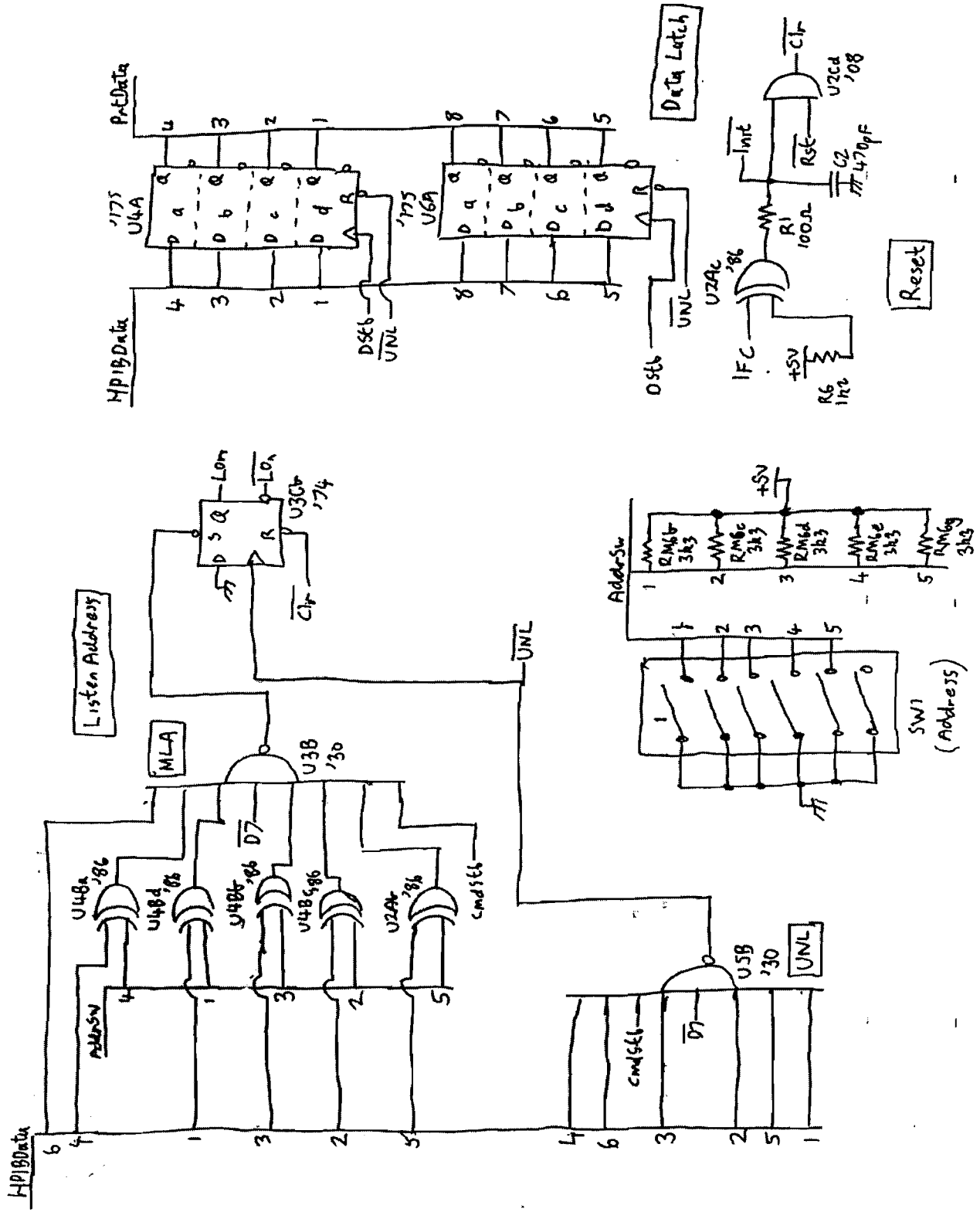




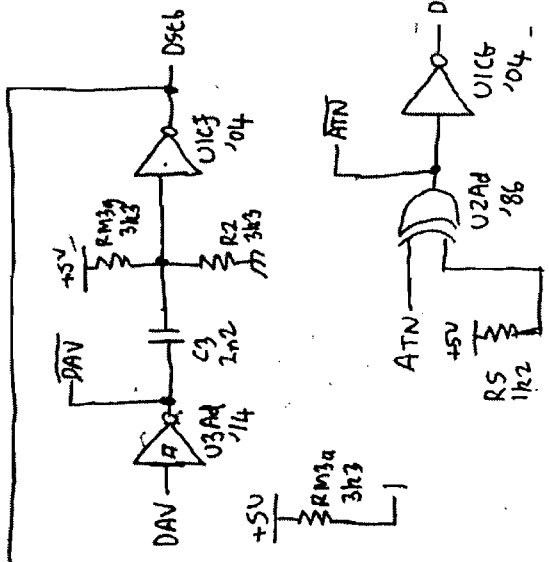
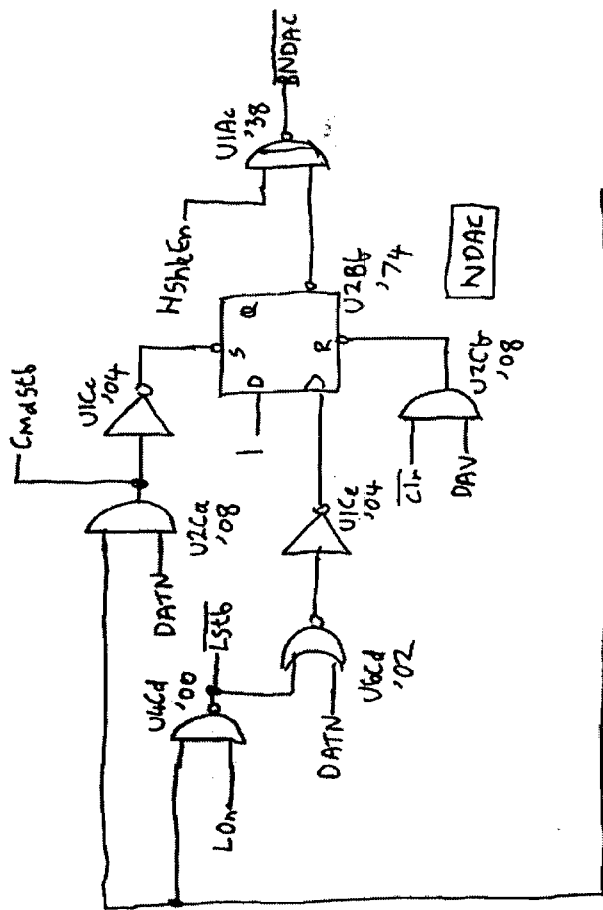
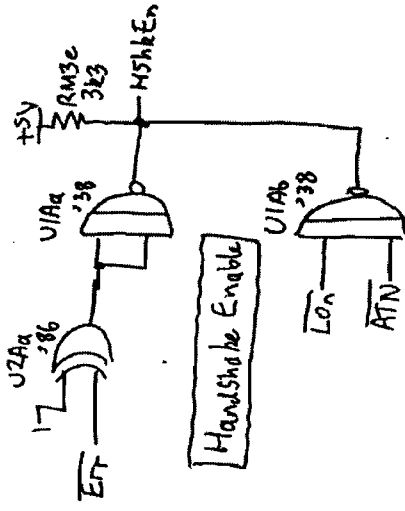
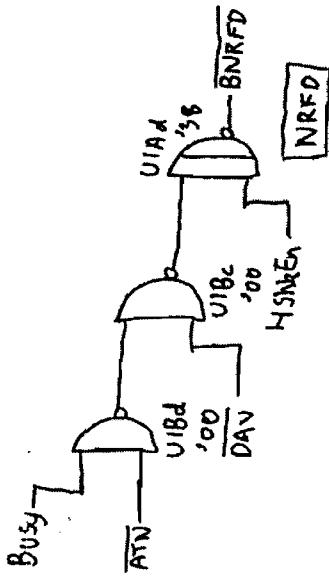


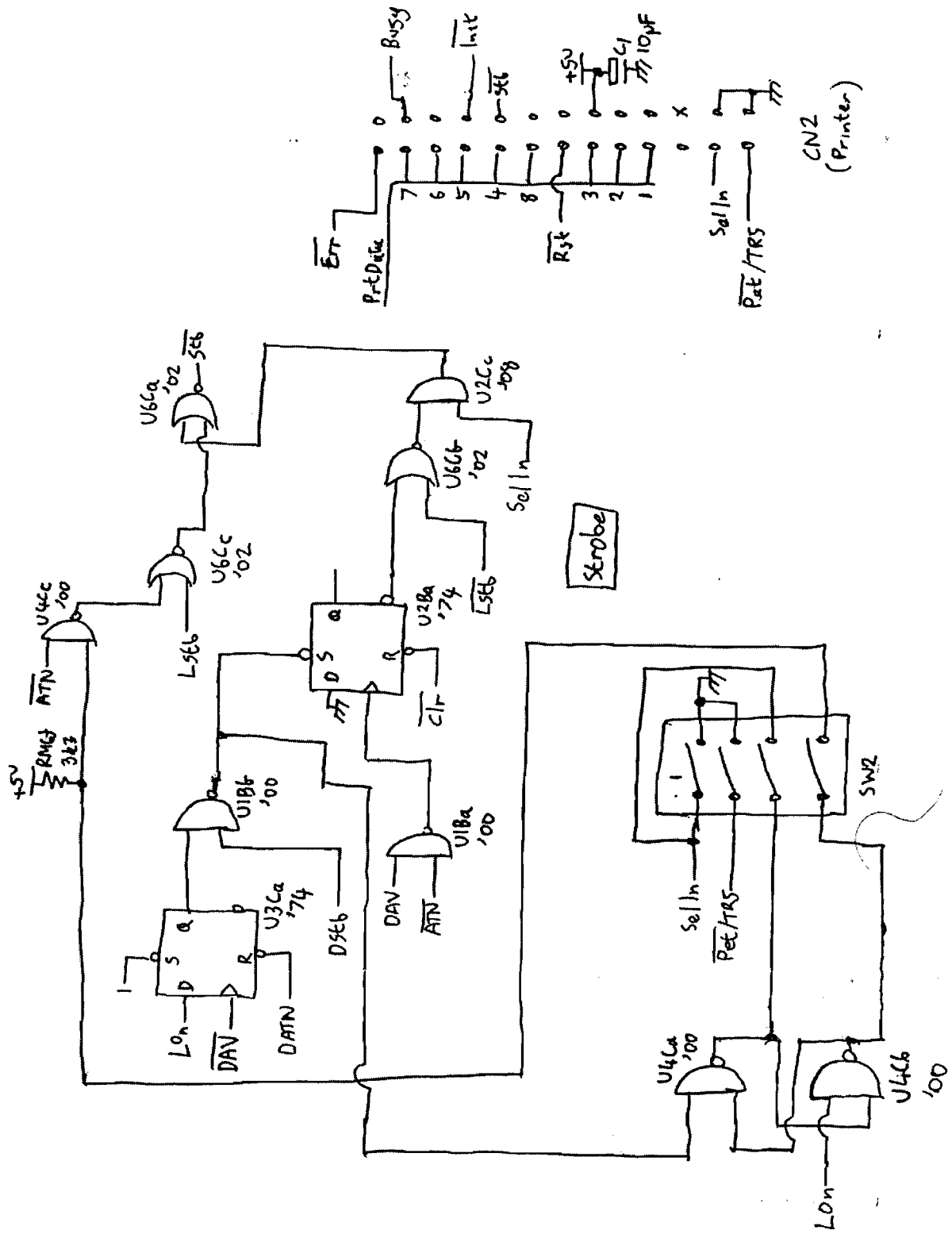
HP 82905 Transformer Wiring

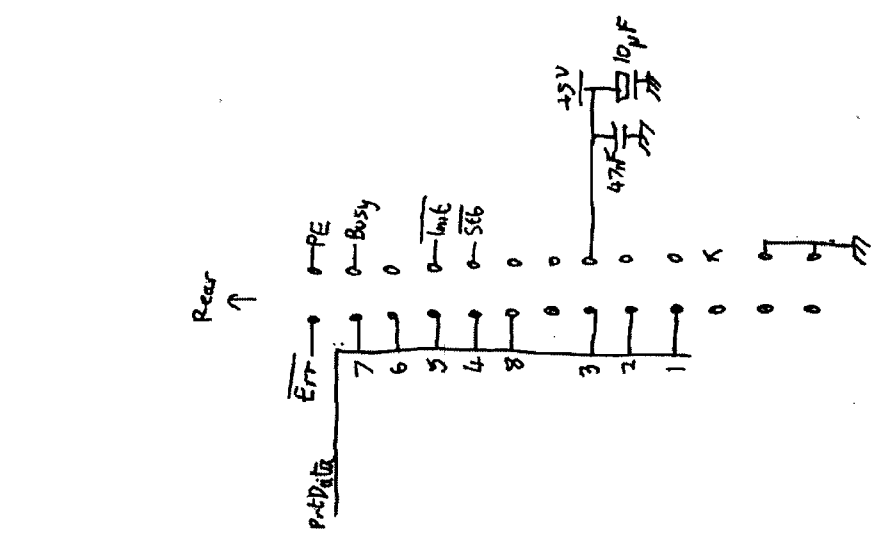
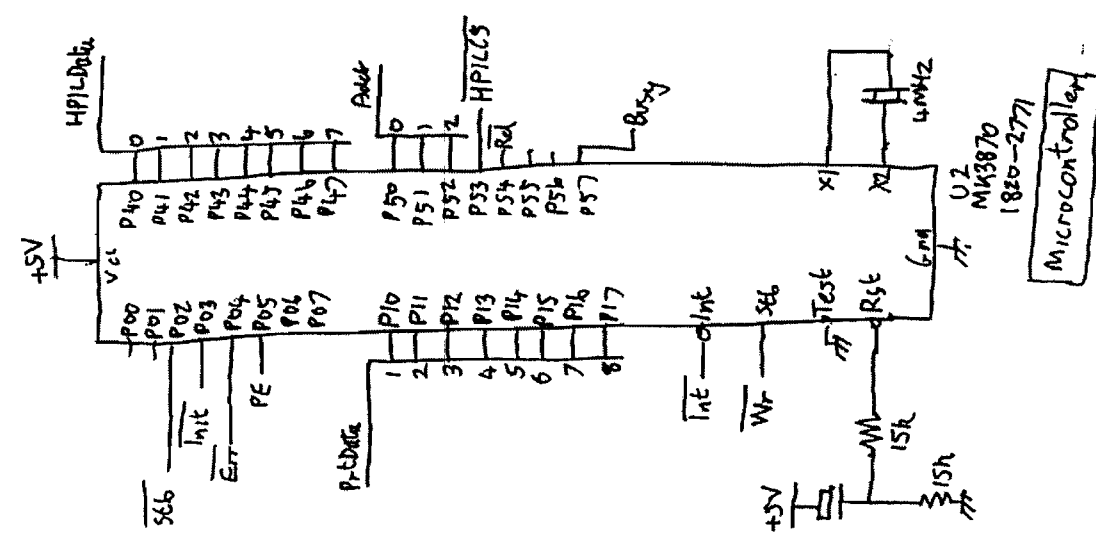
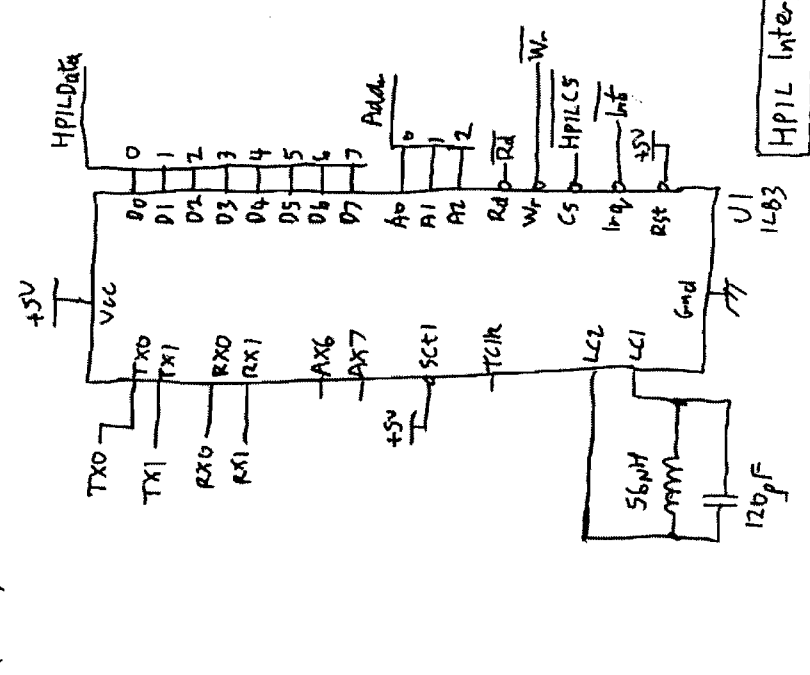
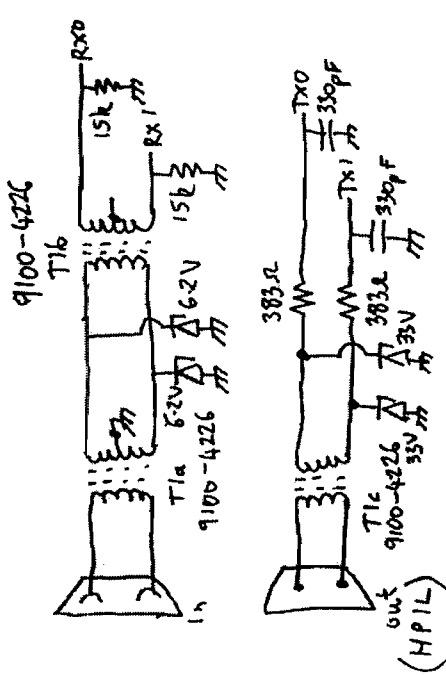












HP 82905 HPIL Interface PCB 82905-60001

