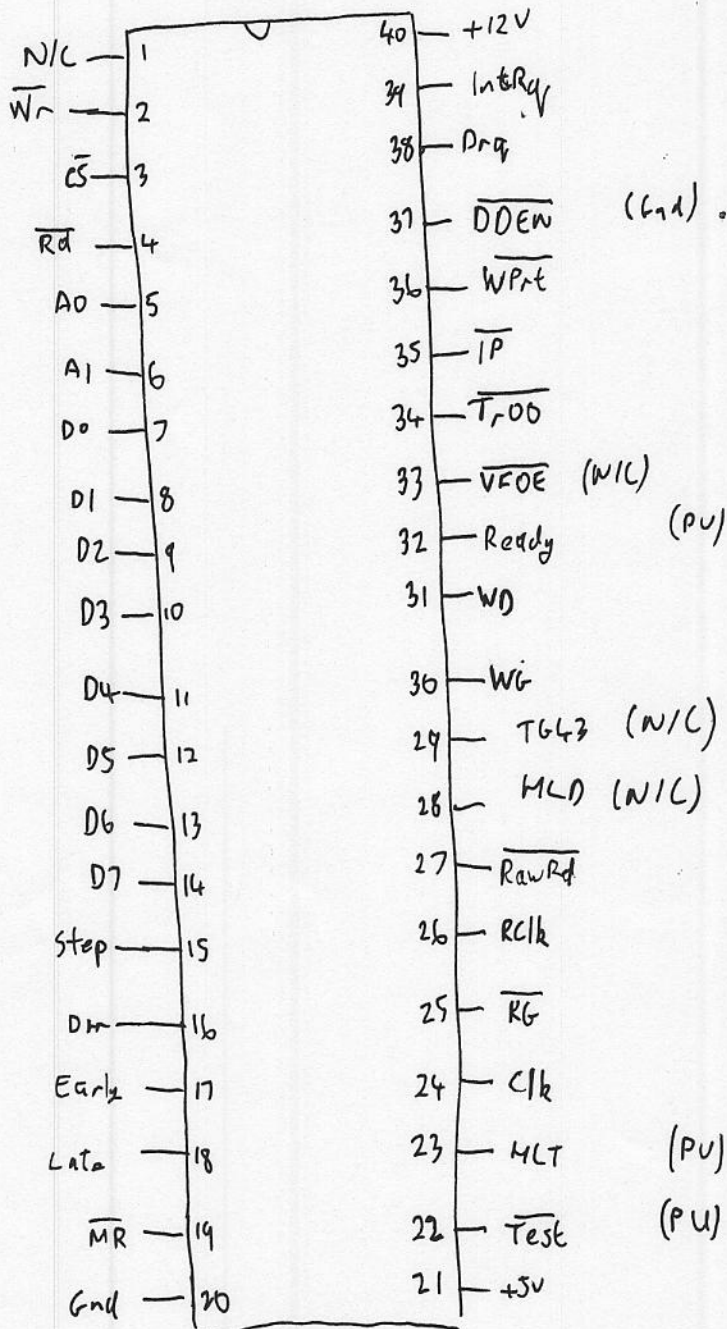
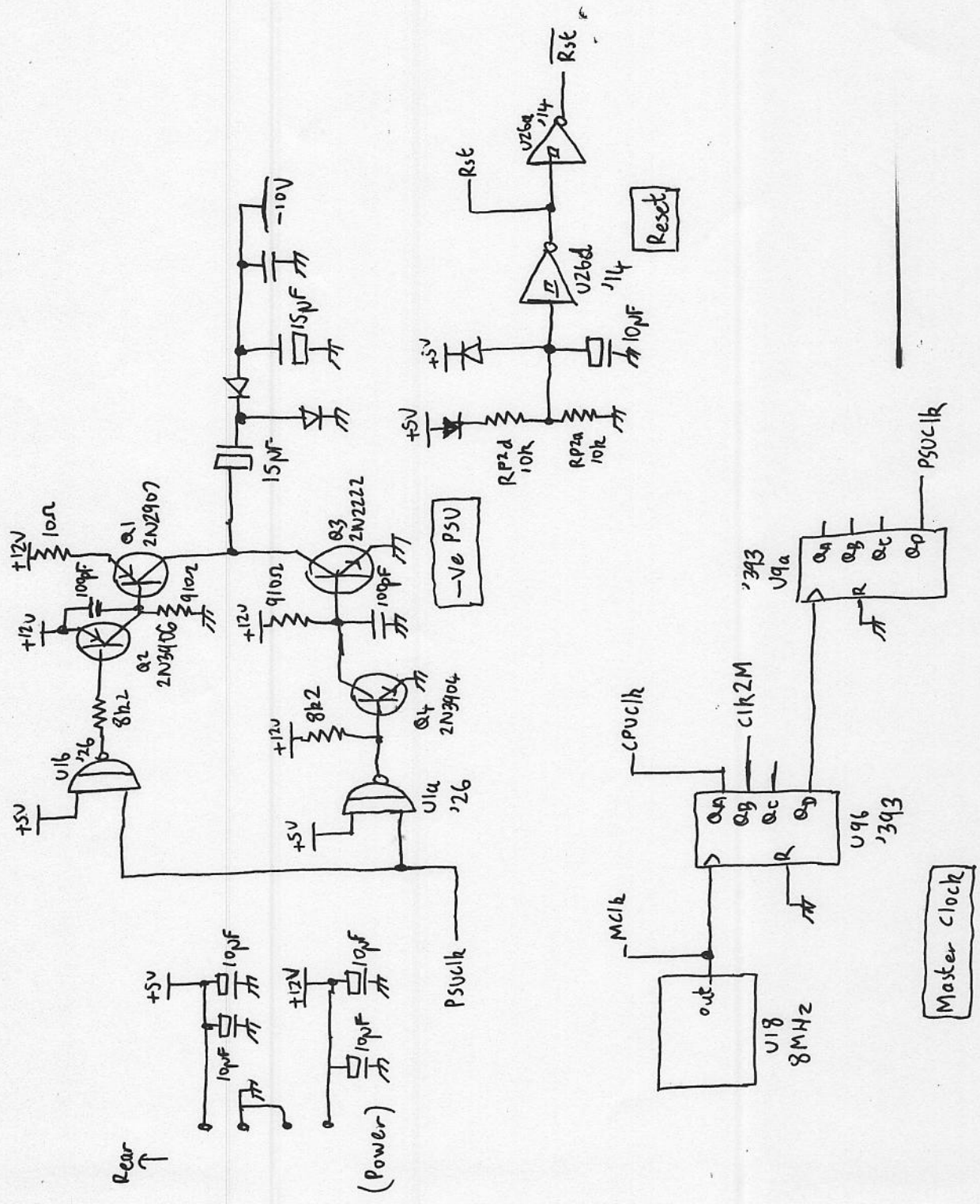
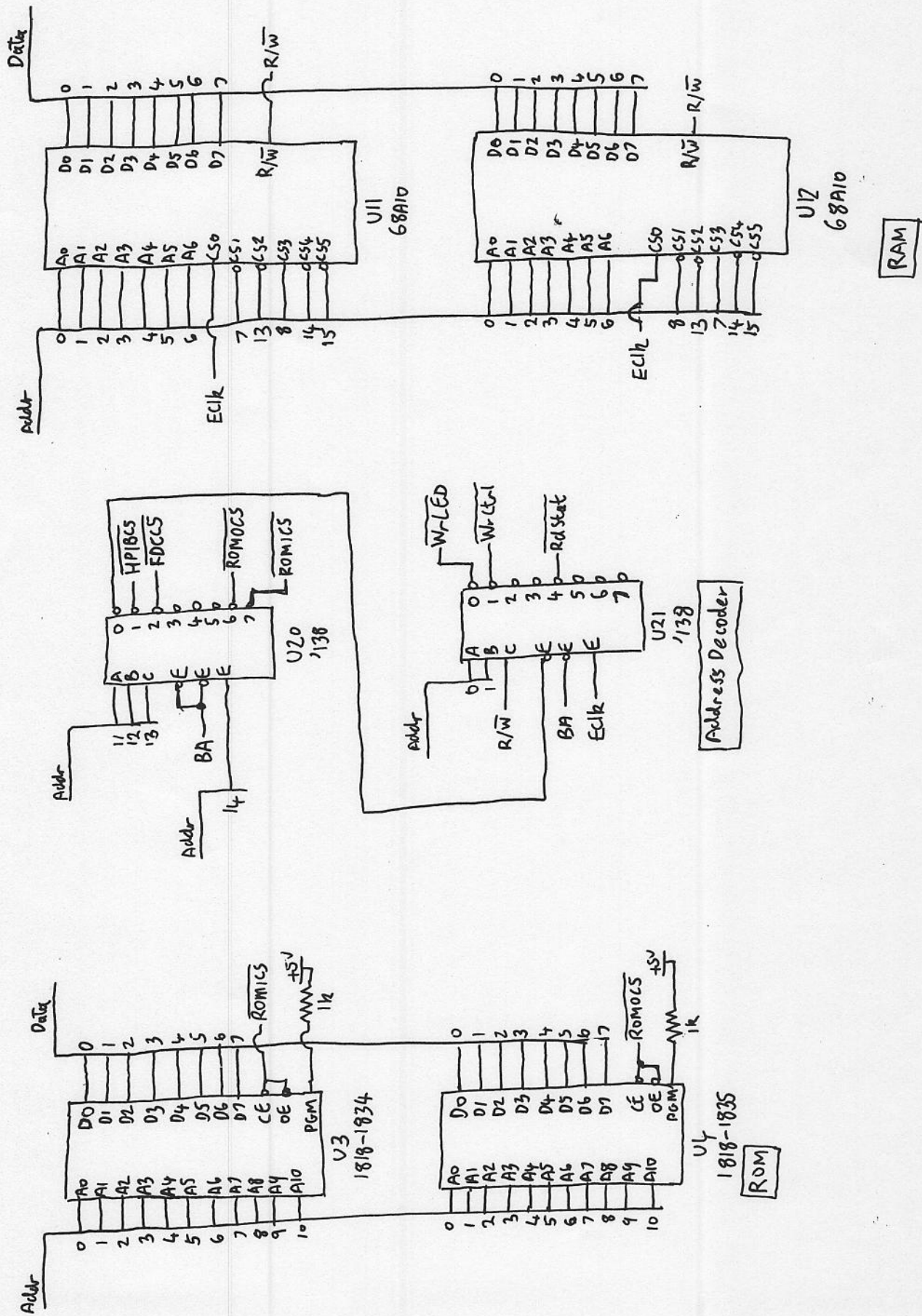
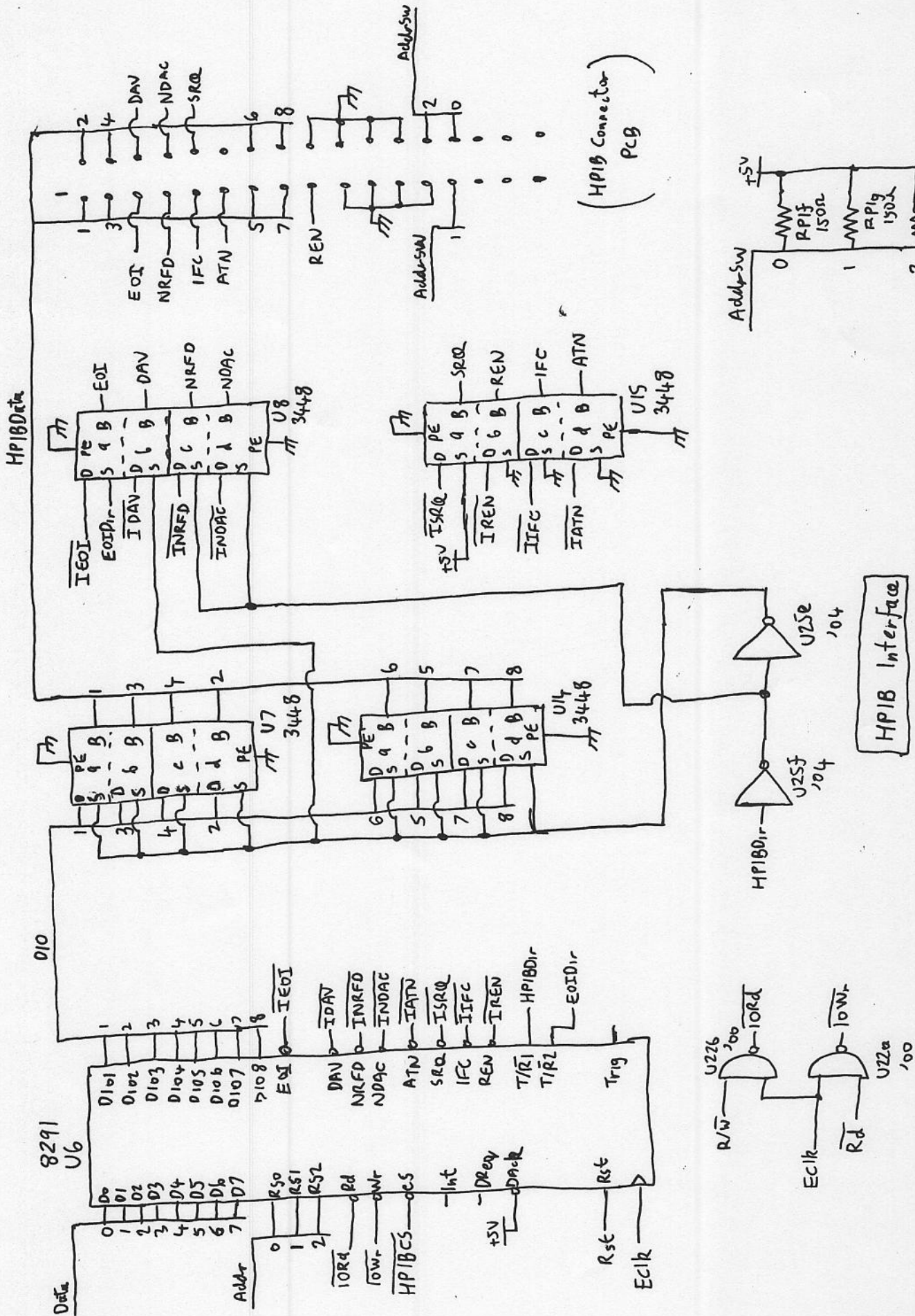


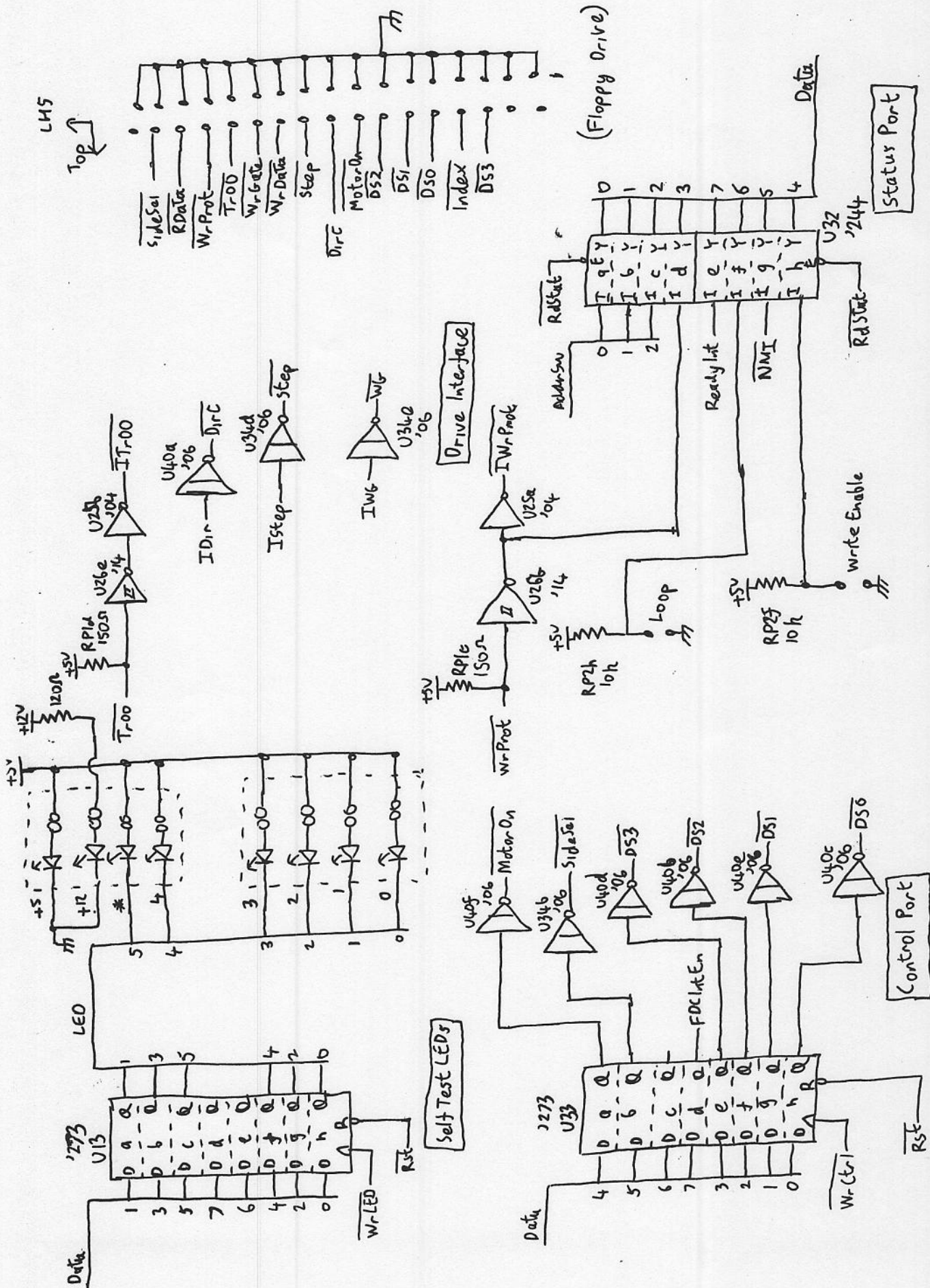
MB8866

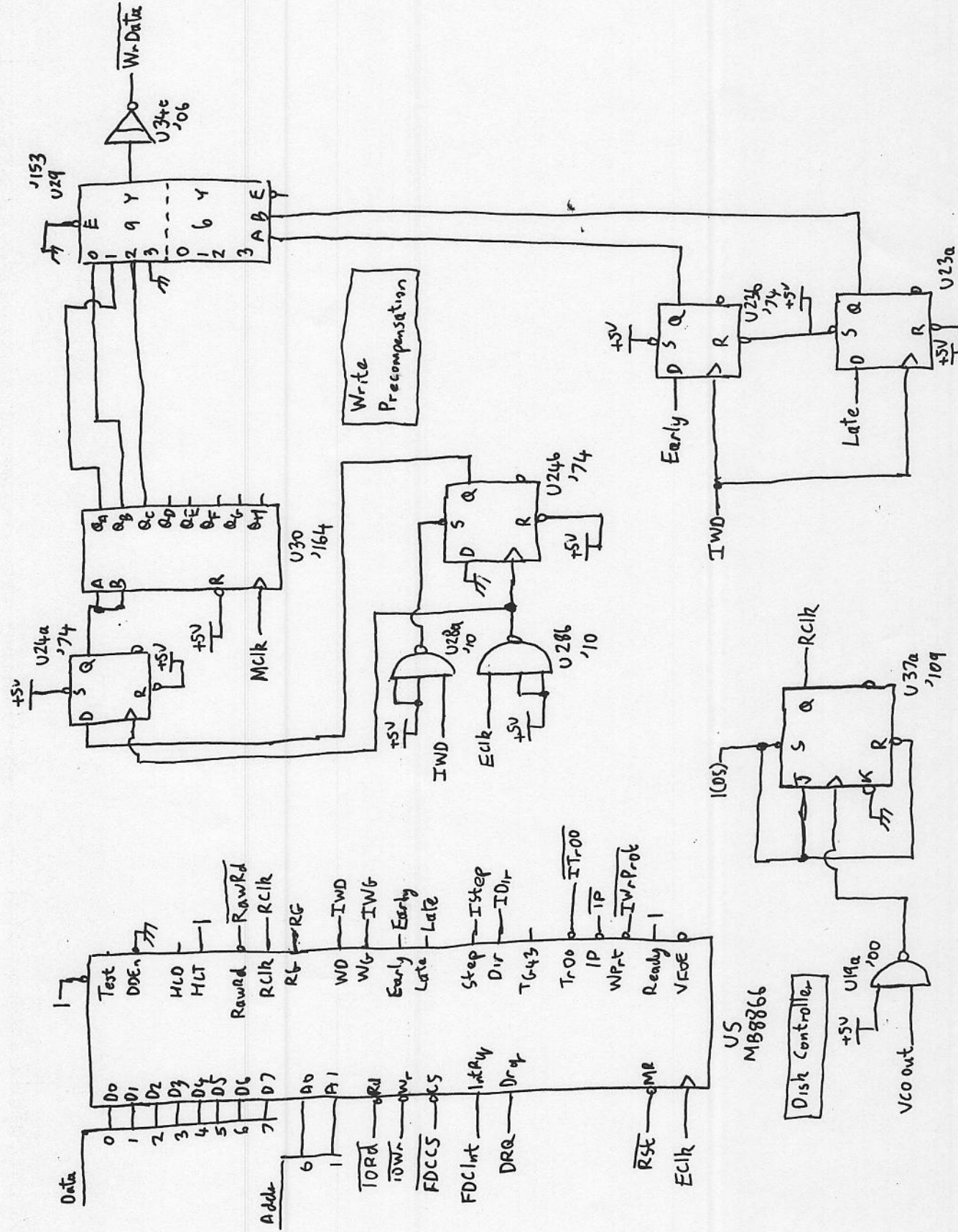






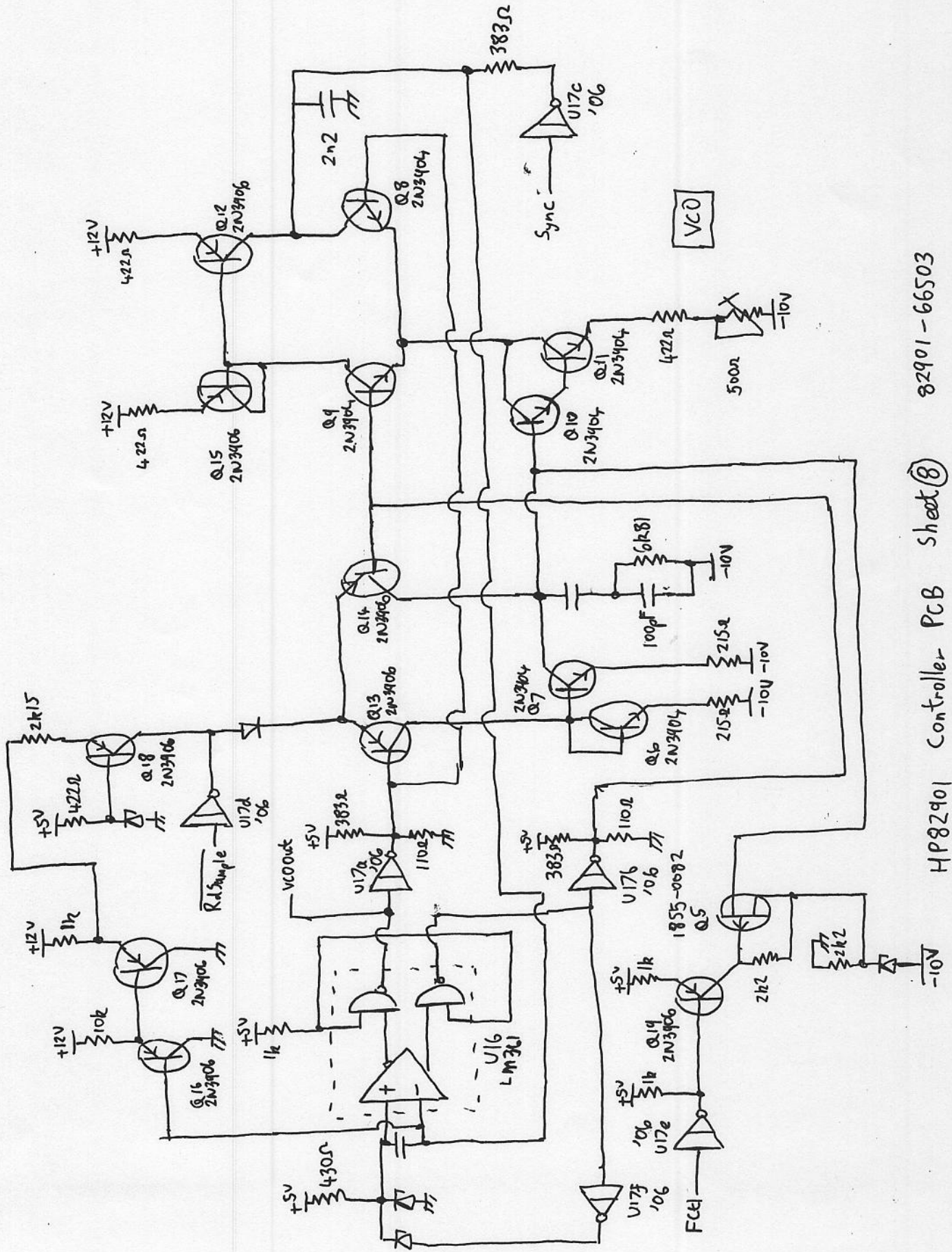






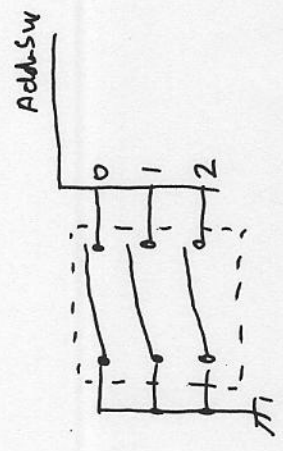
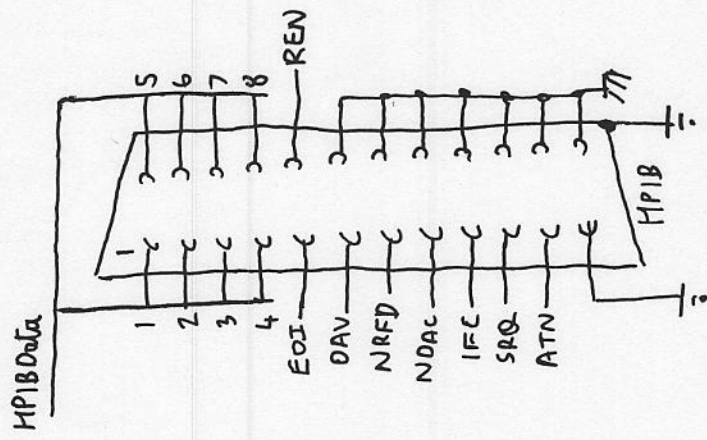
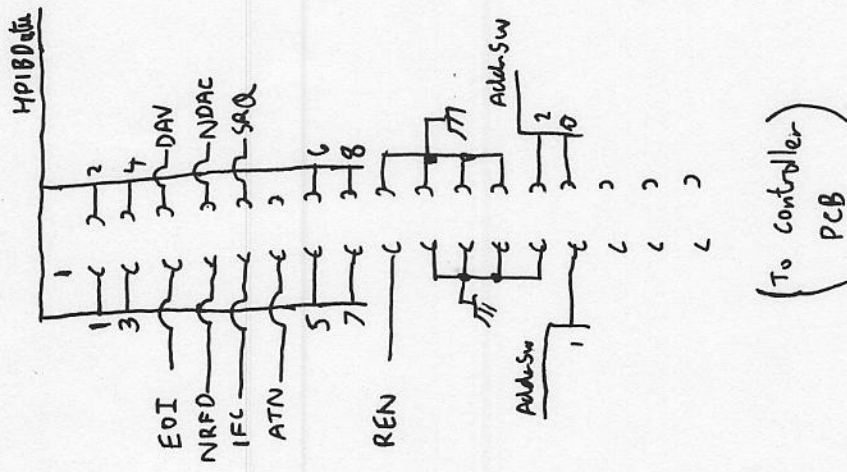
82901-66503

HP82901 Controller PCB Sheet 6



82901-66503

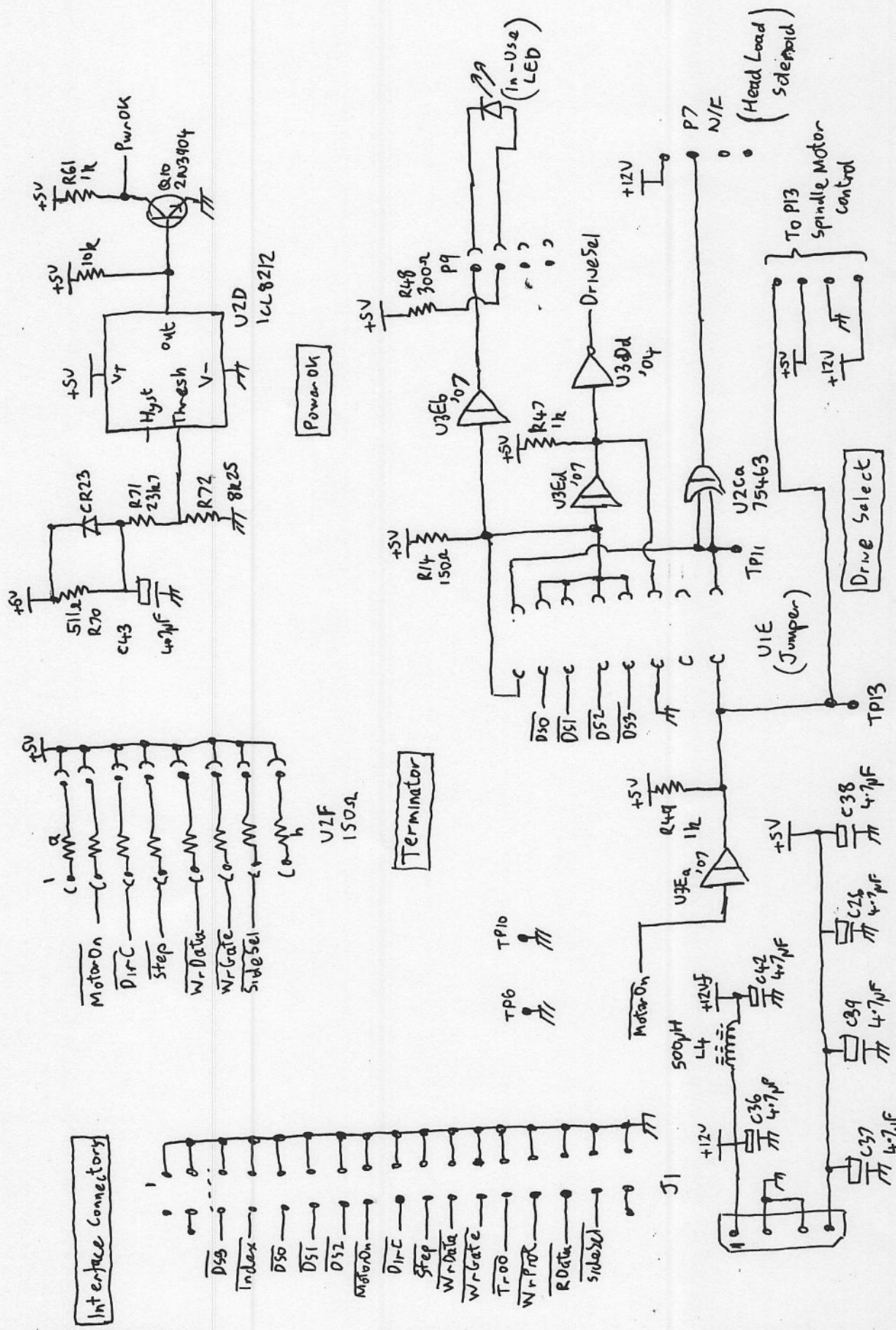
HP82901 Controller PCB Sheet 8



3021-1303

HP1B Connector PCB

HP82901



Interface Connector

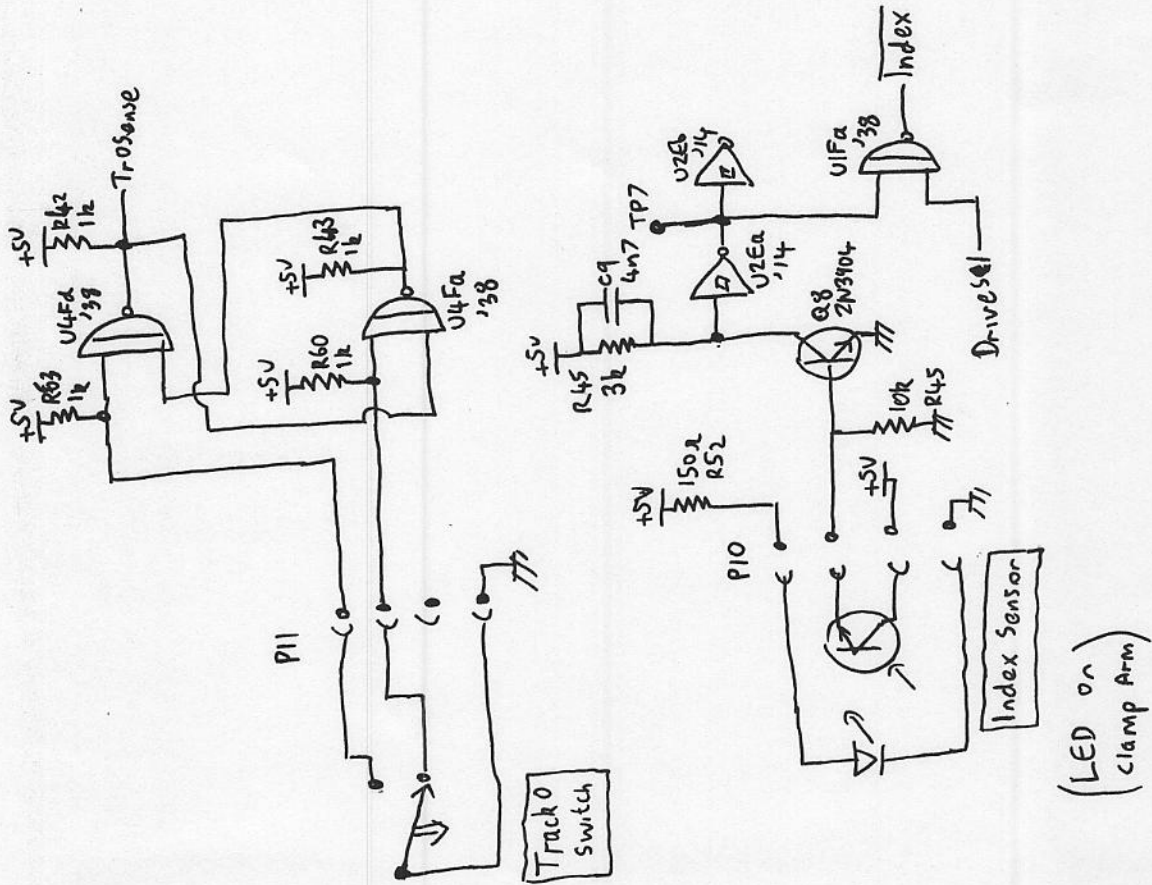
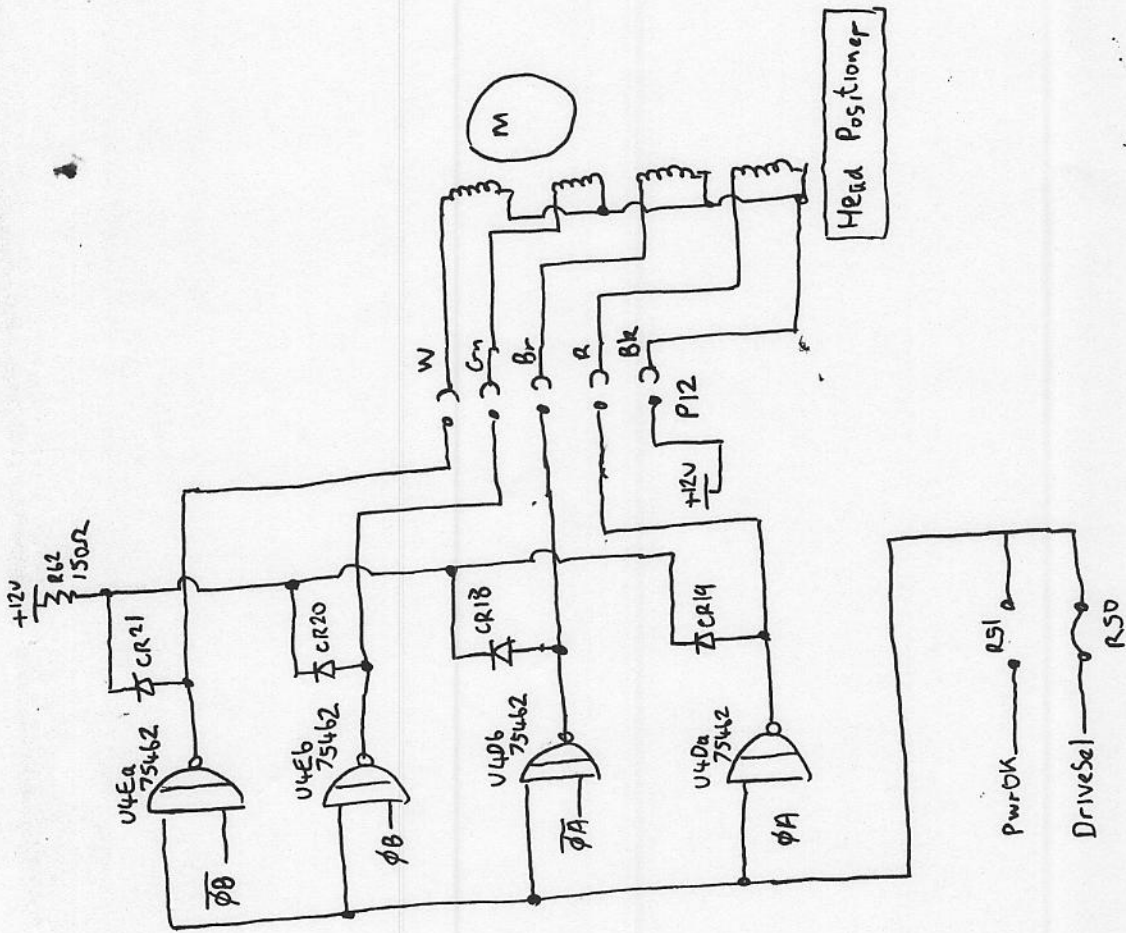
Power OK

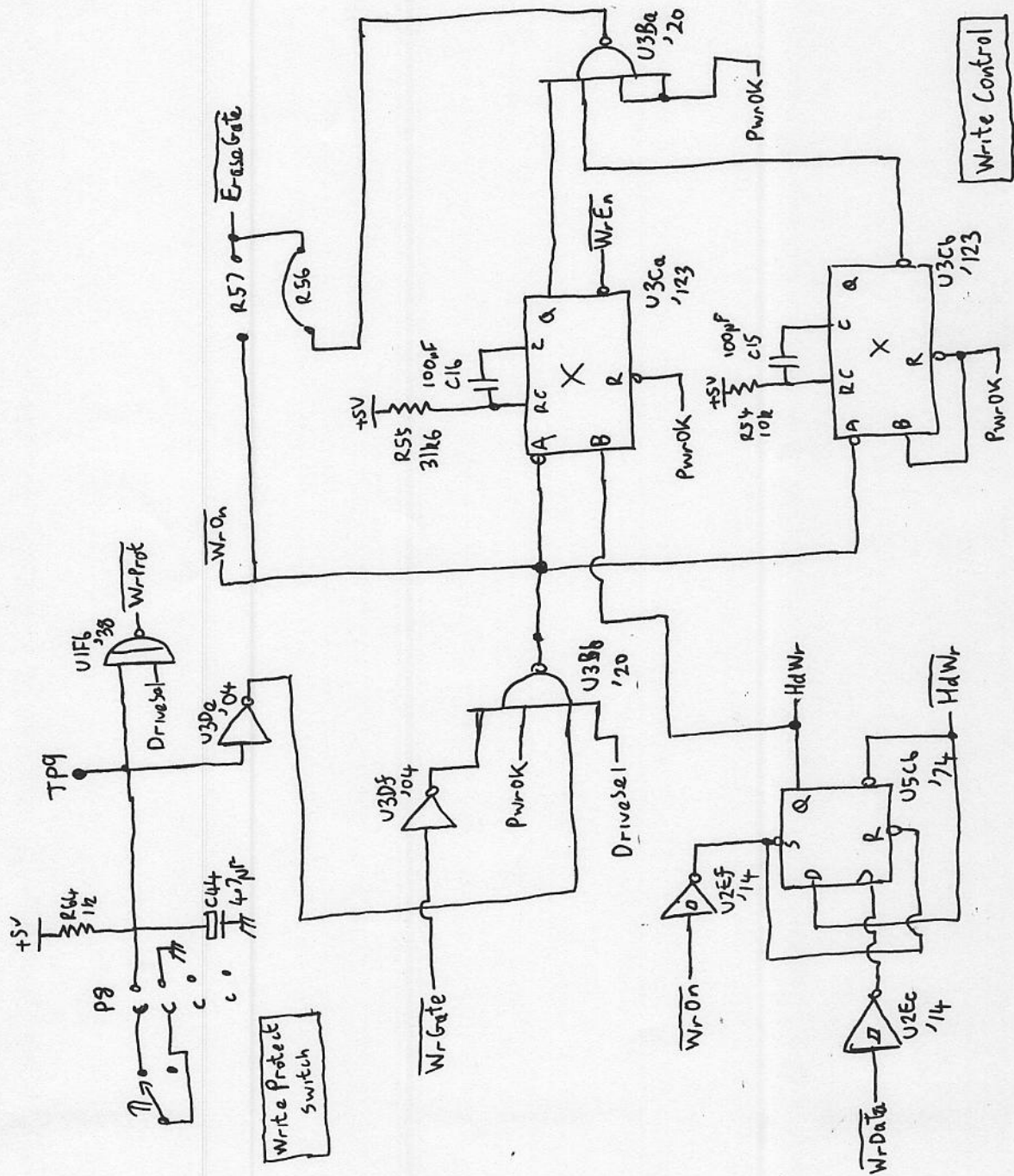
Terminator

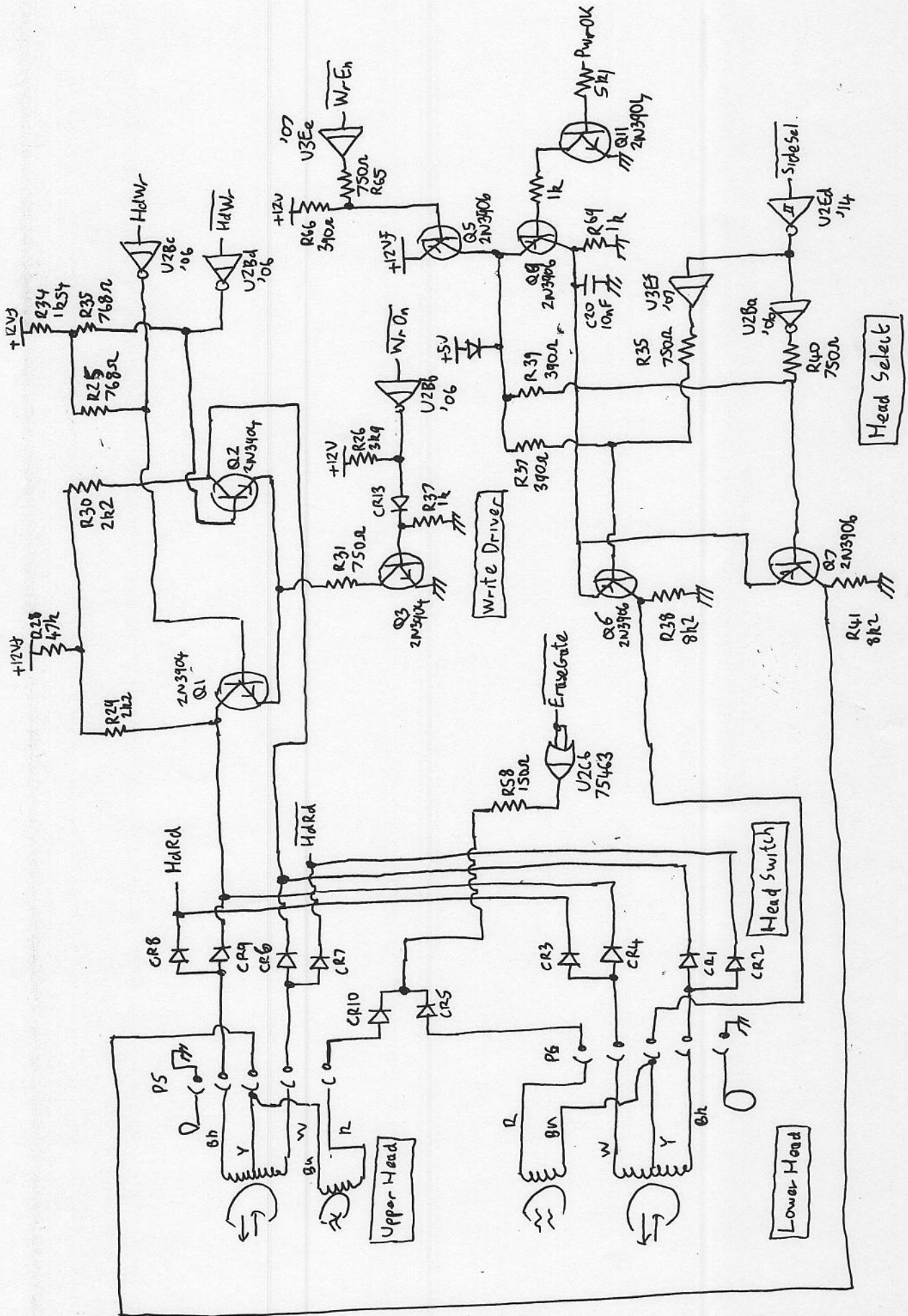
Drive Select

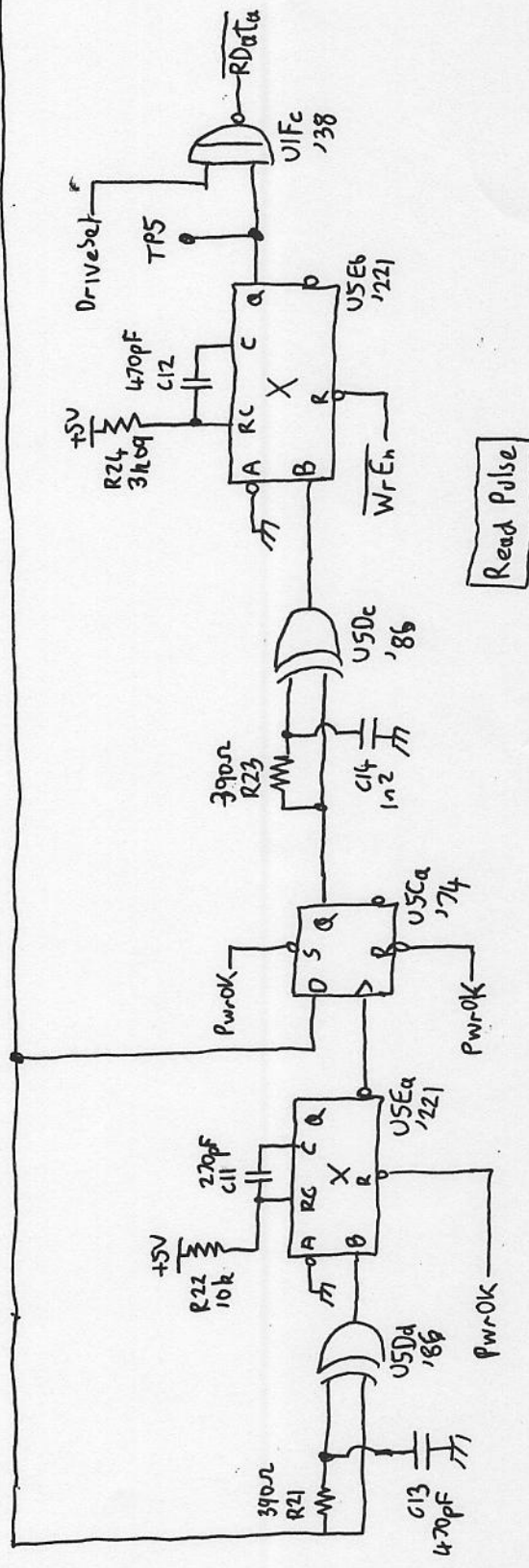
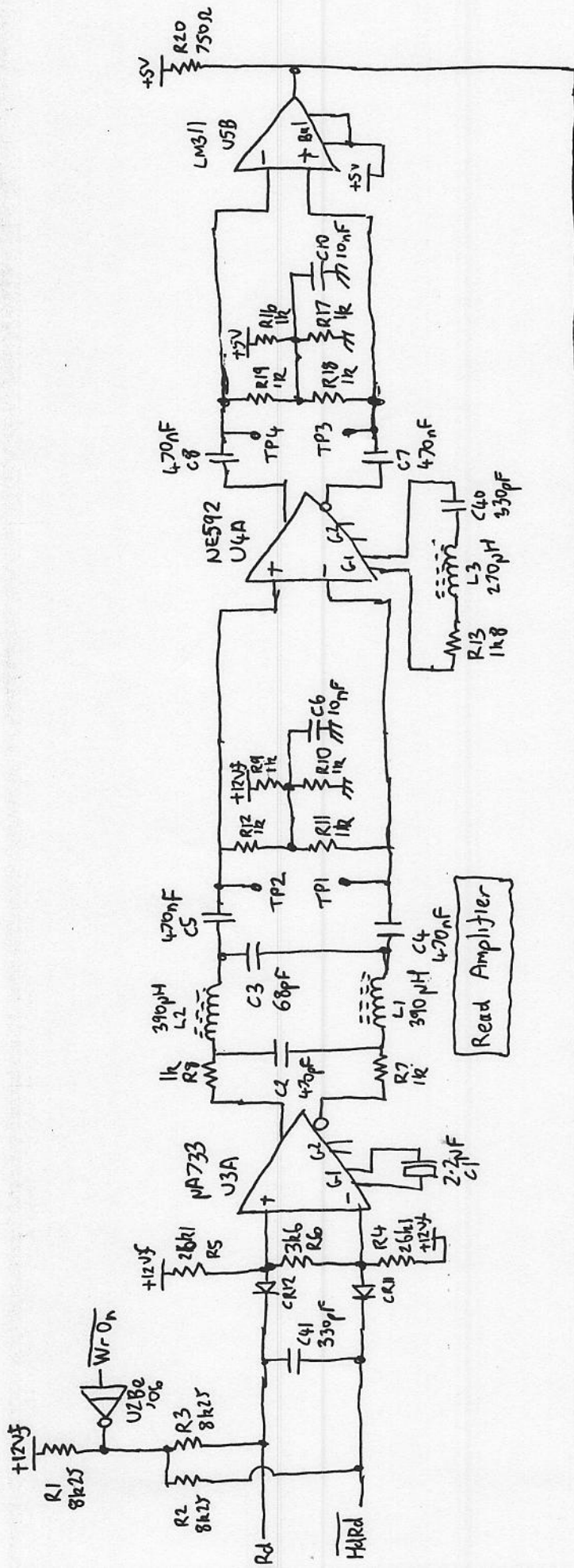
09130-66501

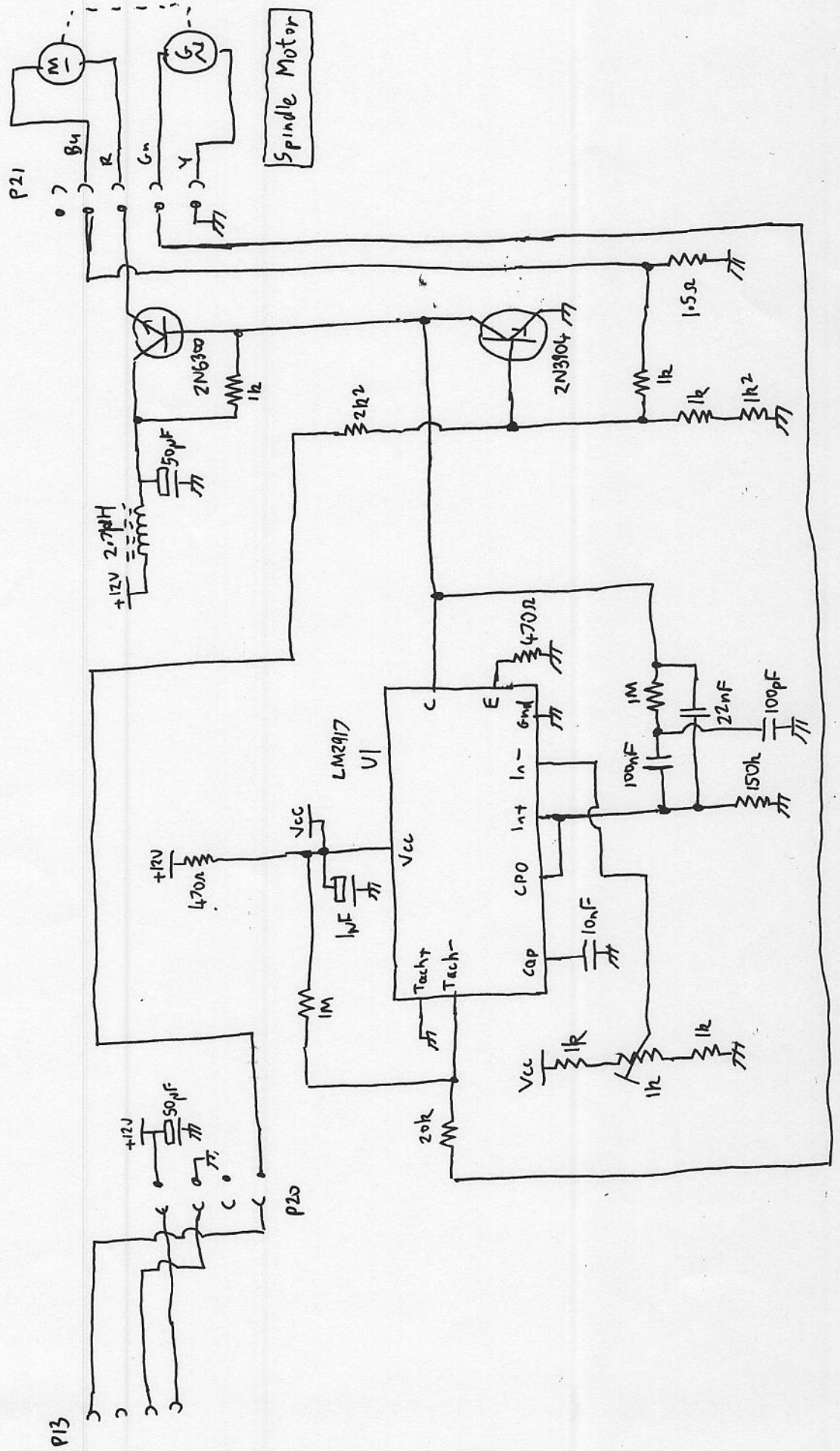
HP9130 Disk Drive Logic PCB Sheet ①





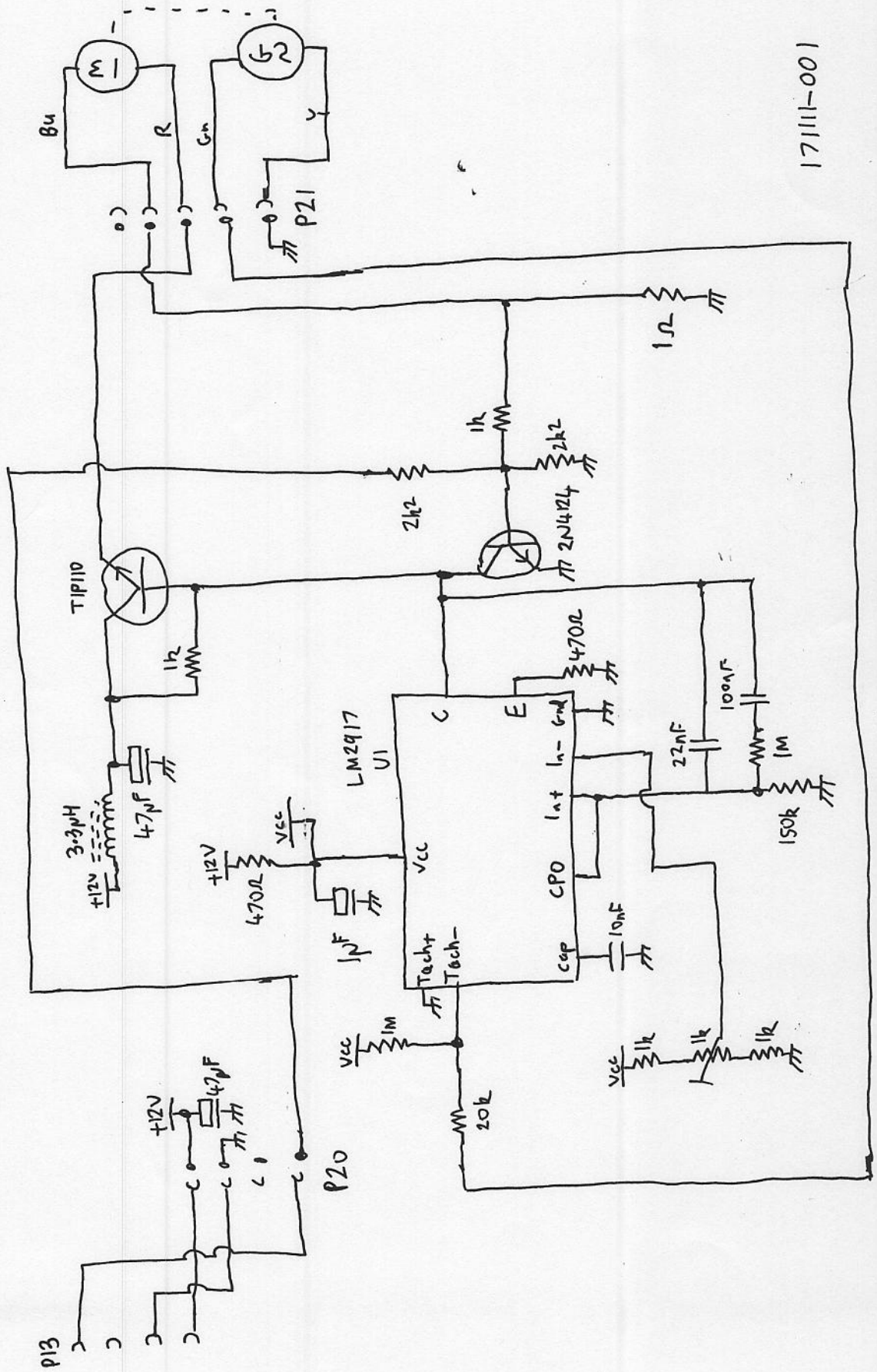






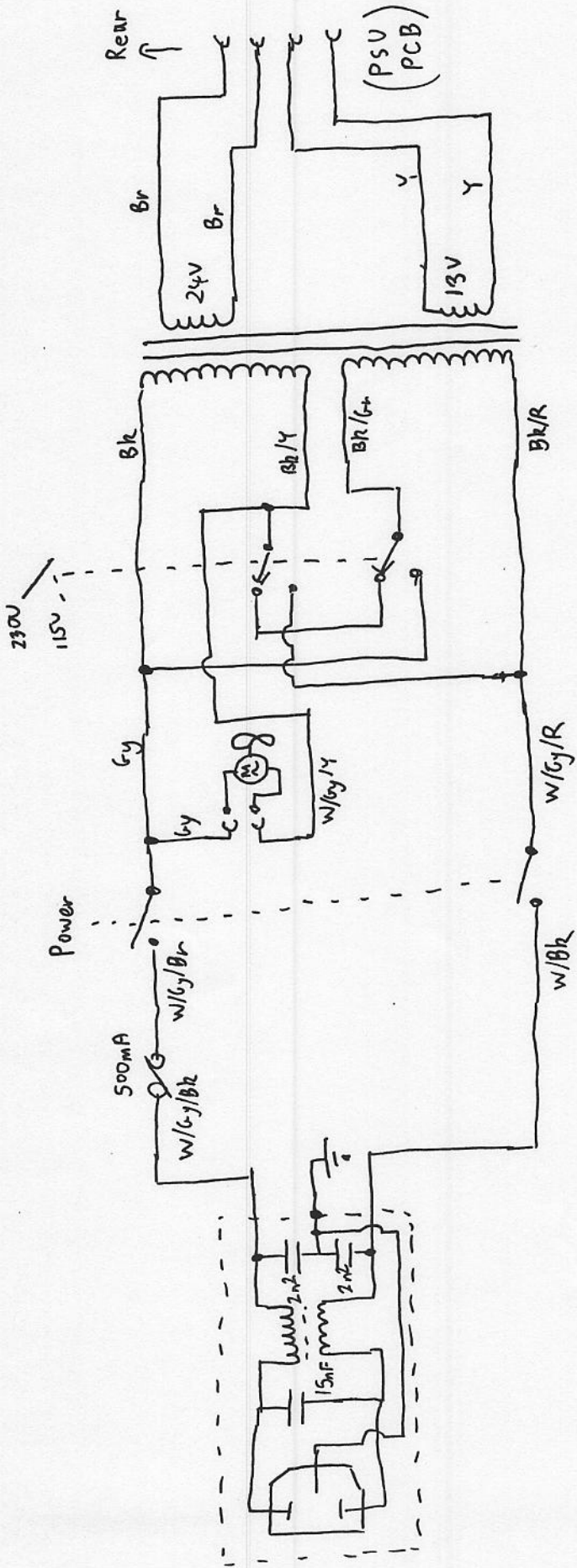
09130-66500

HP9130 Spindle Motor Control PCB

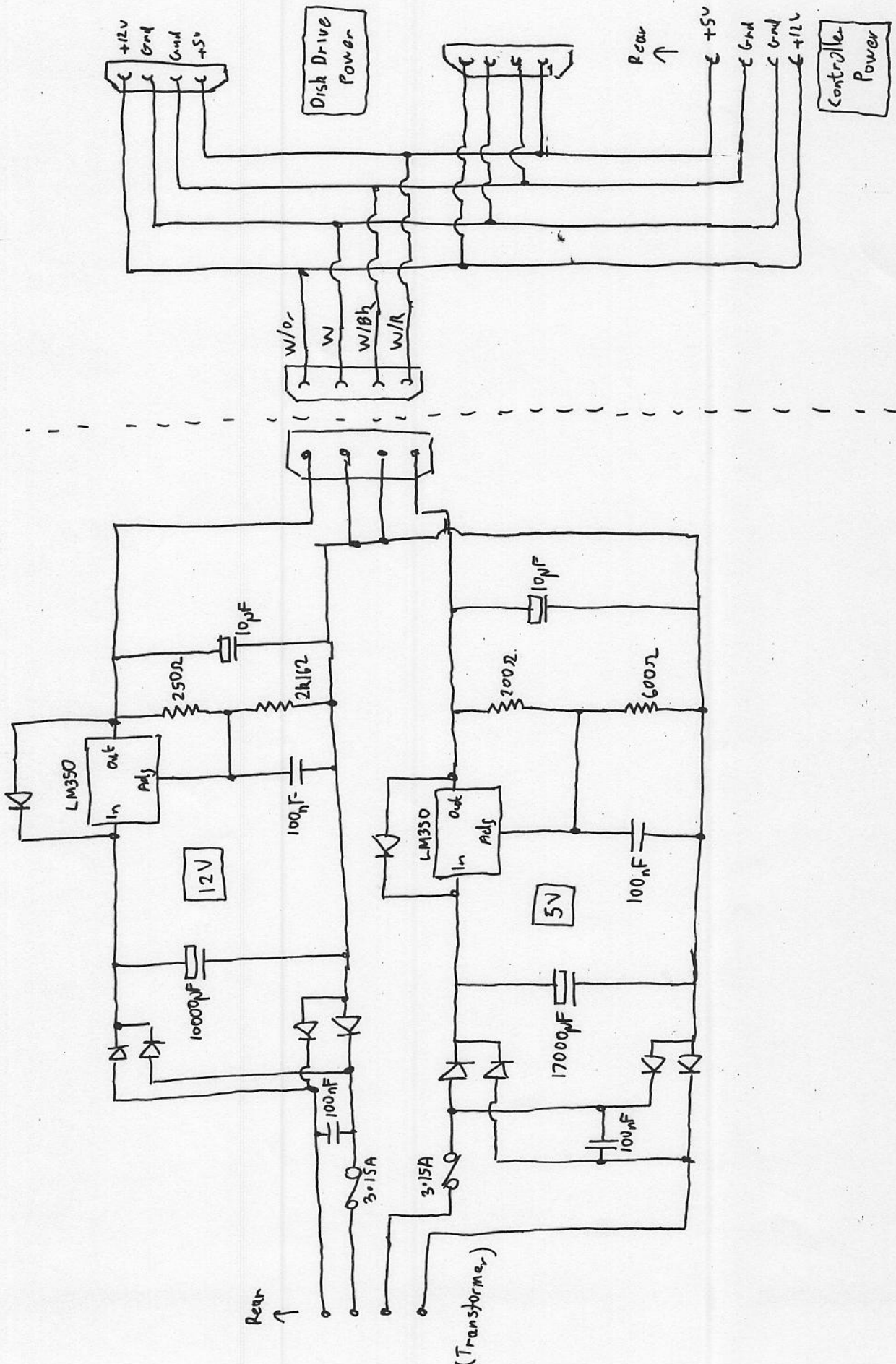


17111-001

HP9130 Spindle Motor Control PCB



HP82901 Transformer wiring.



82901 - 60001

HP82901 PSU PCB