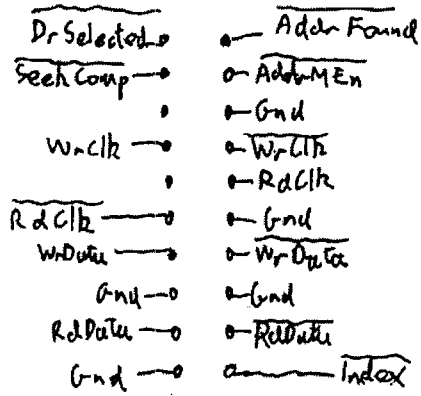
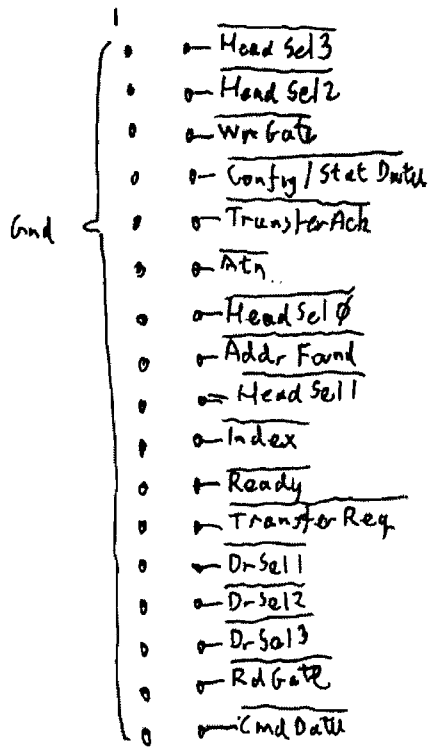


HP7959B



LHS
↑

- -12V
- Gnd
- +12V
- PVAL
- X
- Gnd
- +5V
- Gnd
- +5V
- Gnd
- +5V
- Gnd
- +5V
- Gnd
- +12VP
- Gnd
- +12VP } Fan

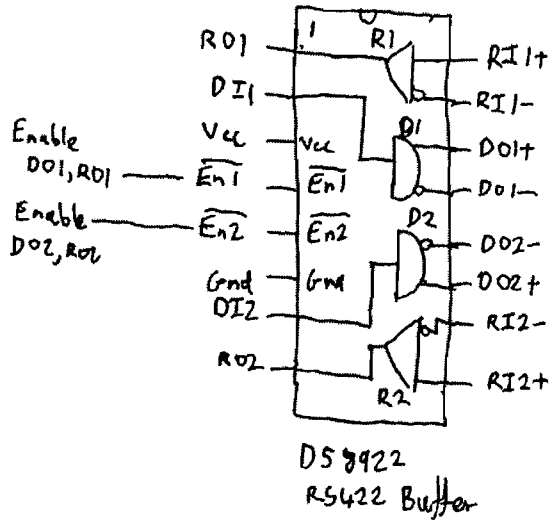
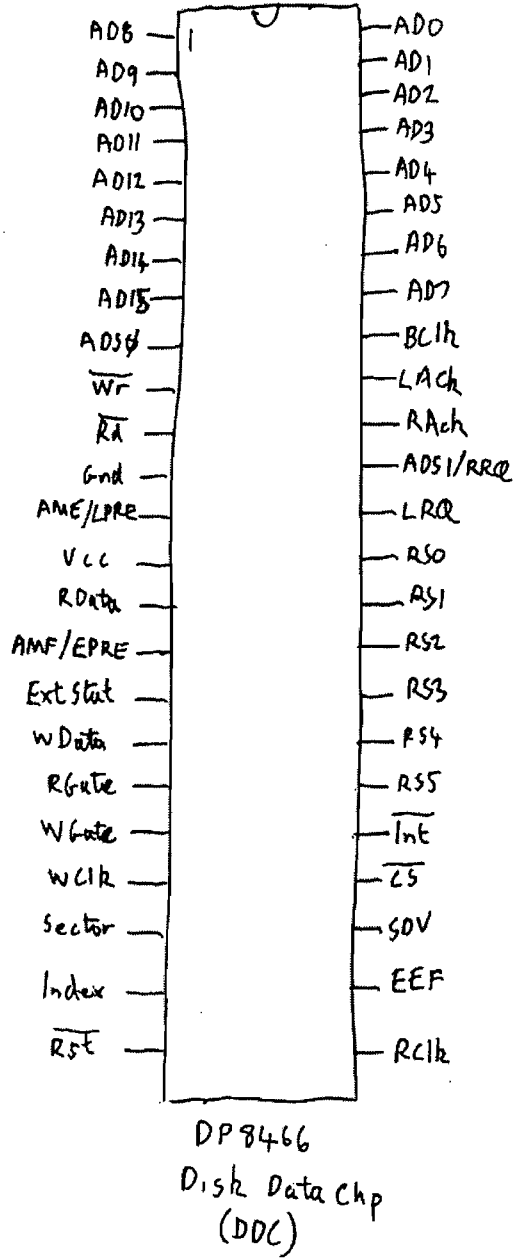
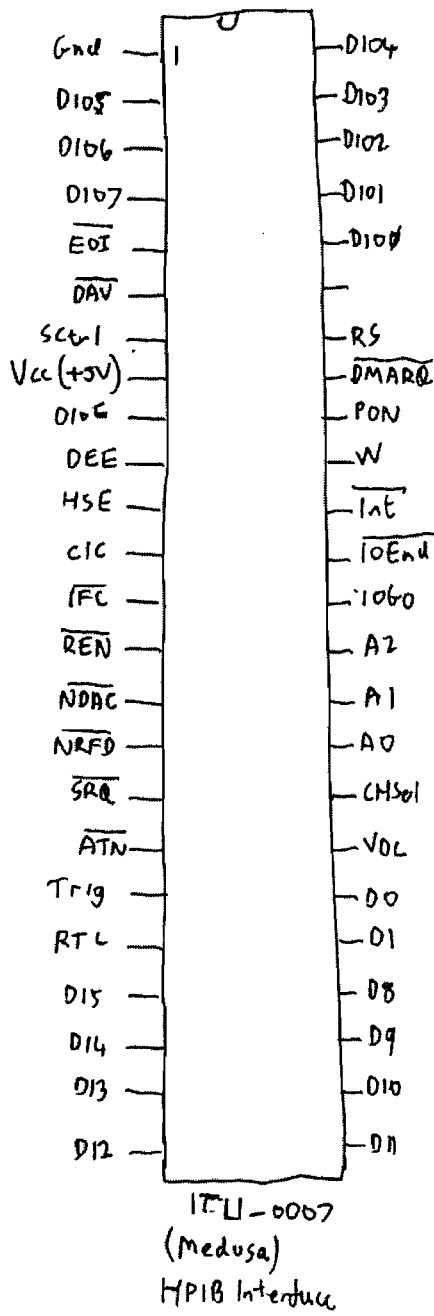
PSU Output

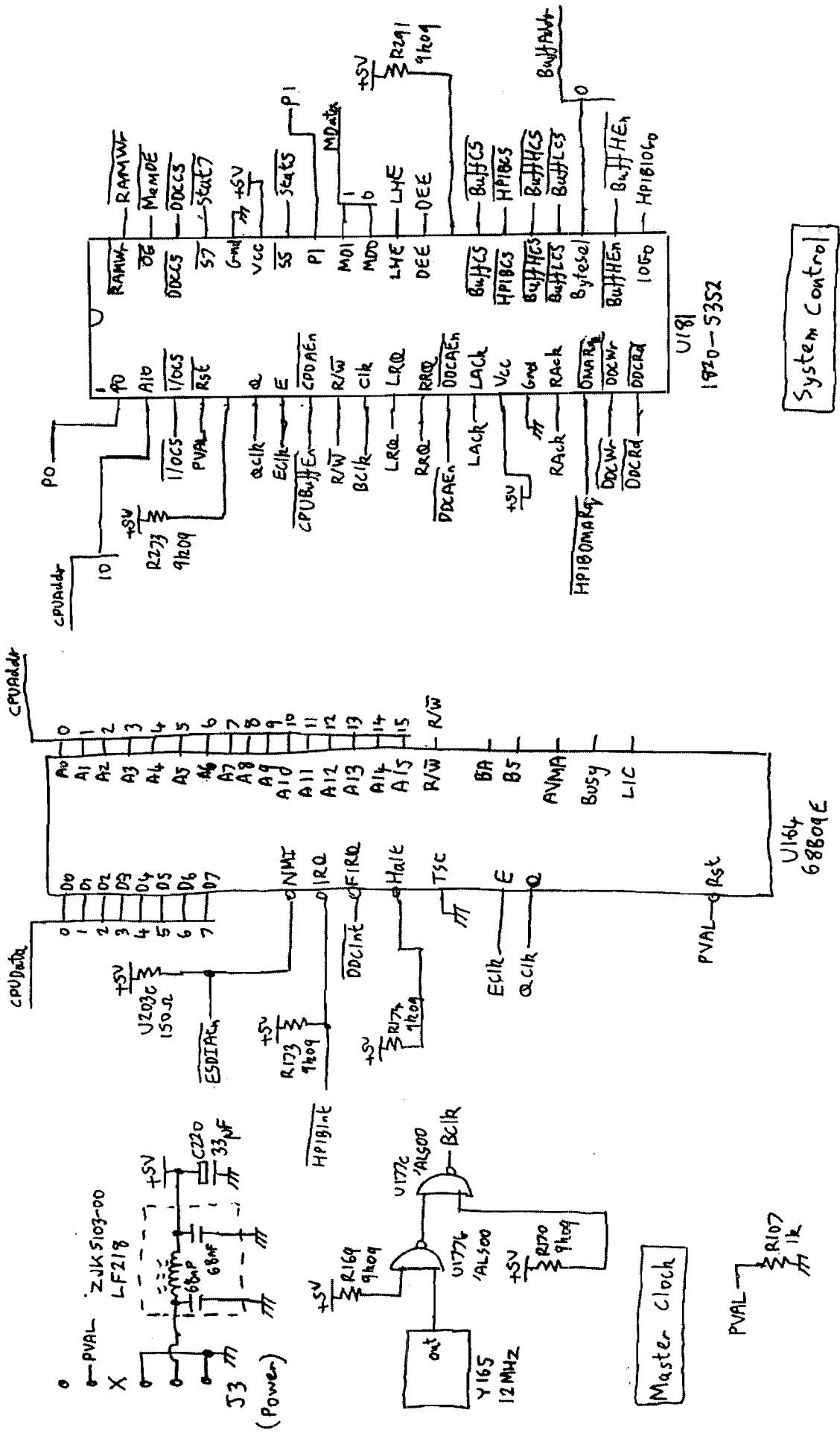
LHS
↑

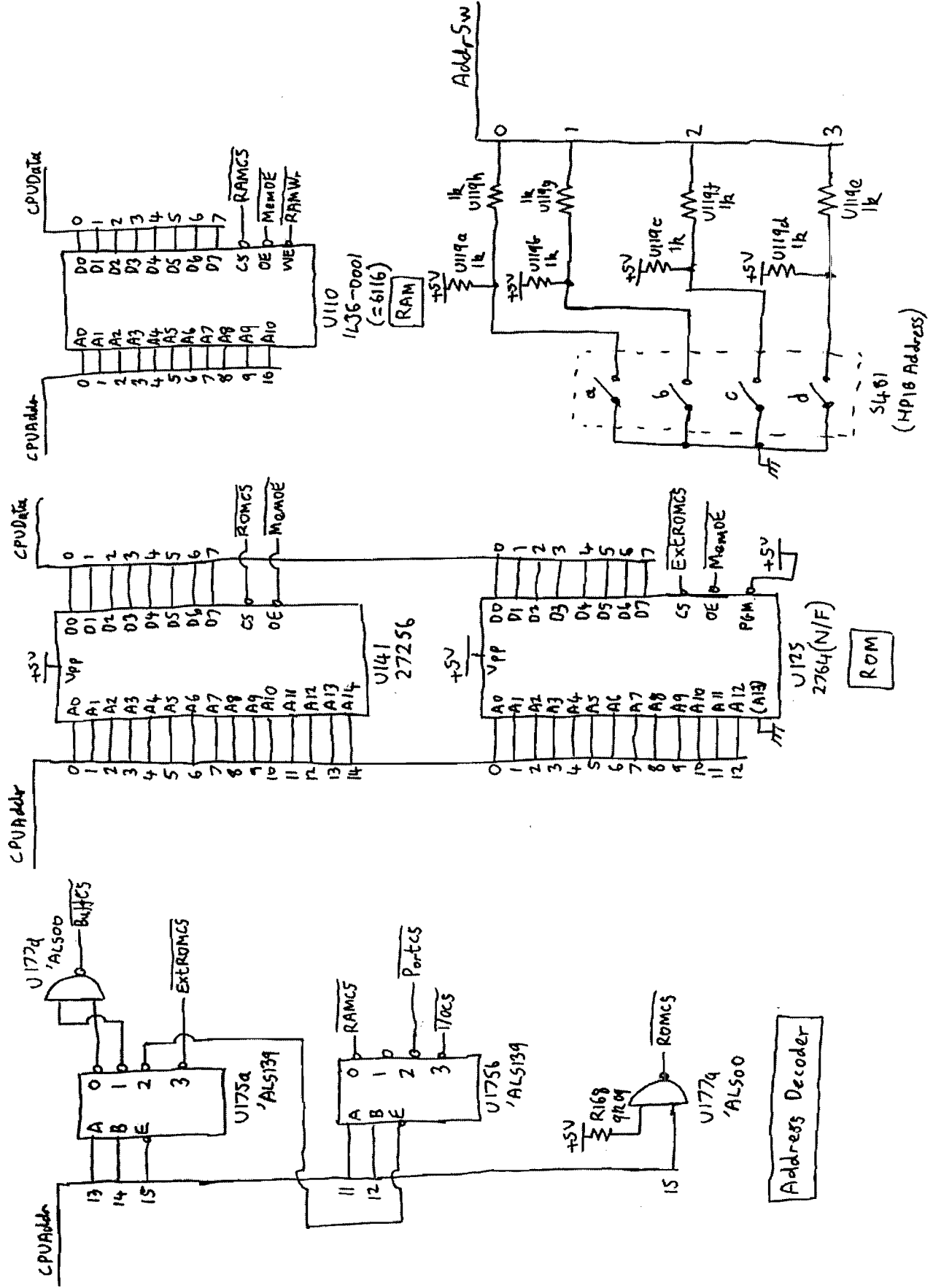
- N/C
- PVAL
- X
- Gnd
- +5V
- Gnd

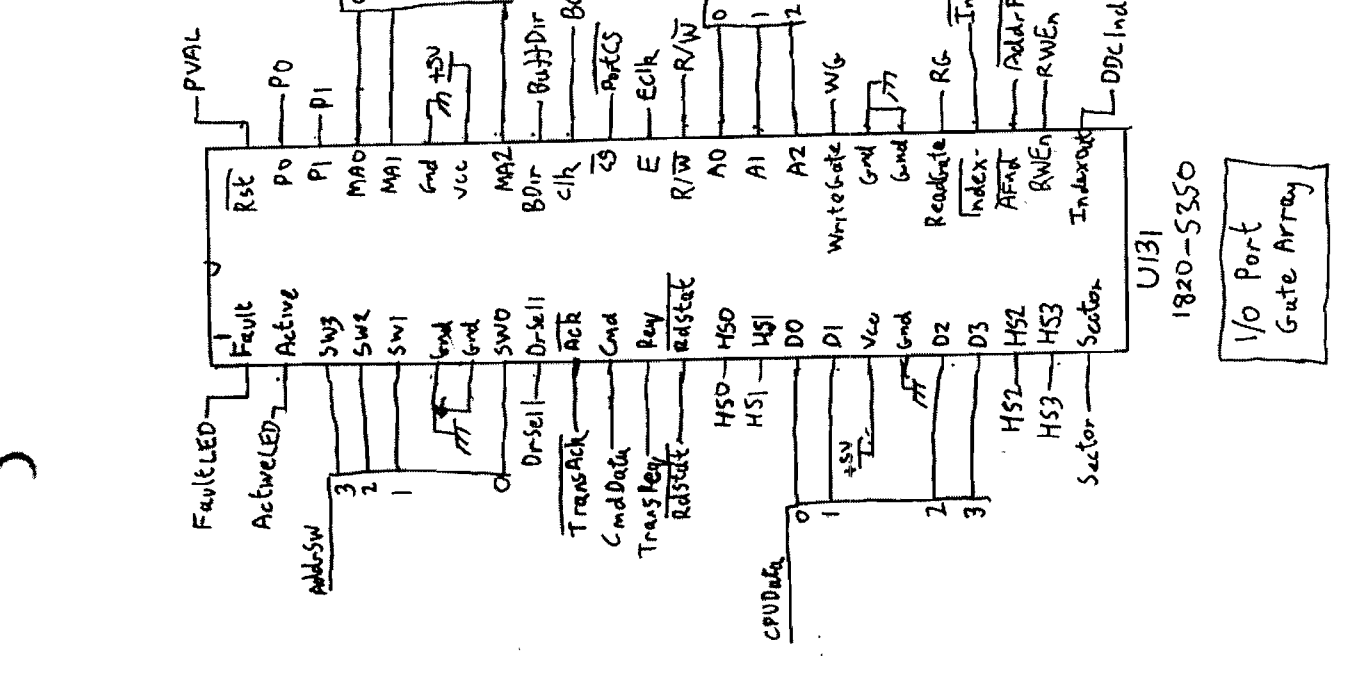
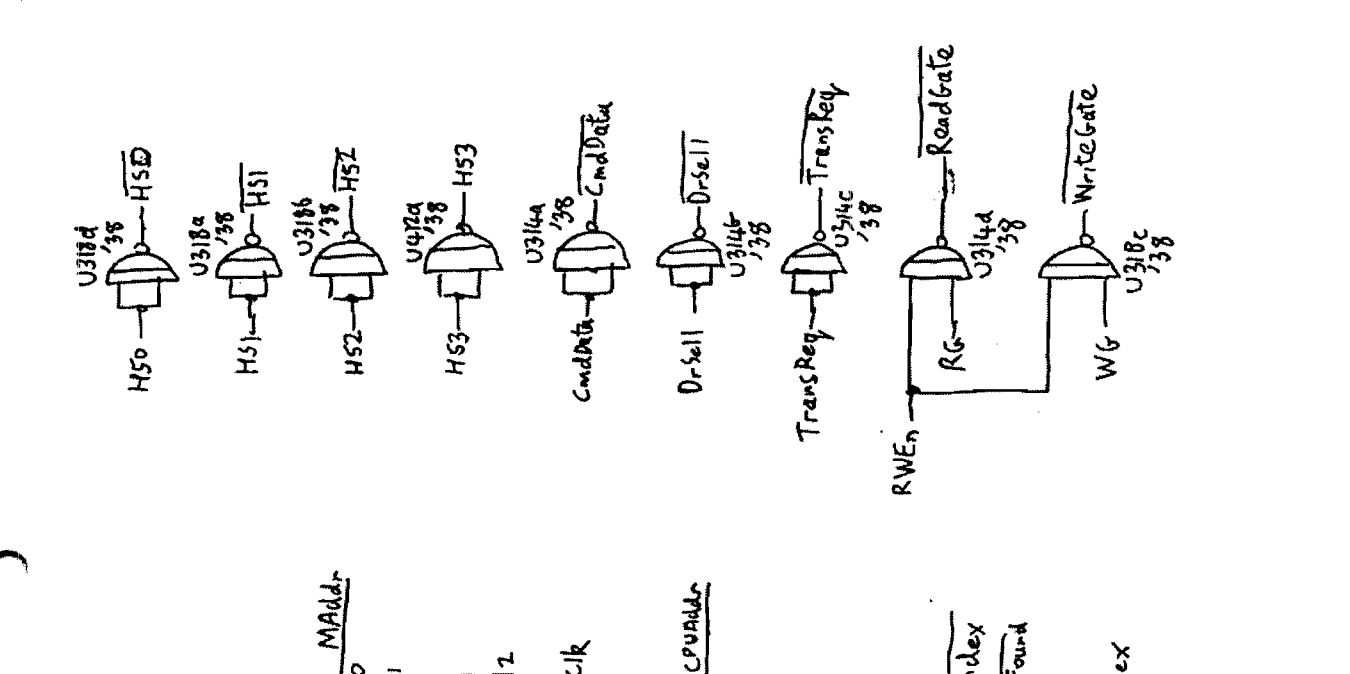
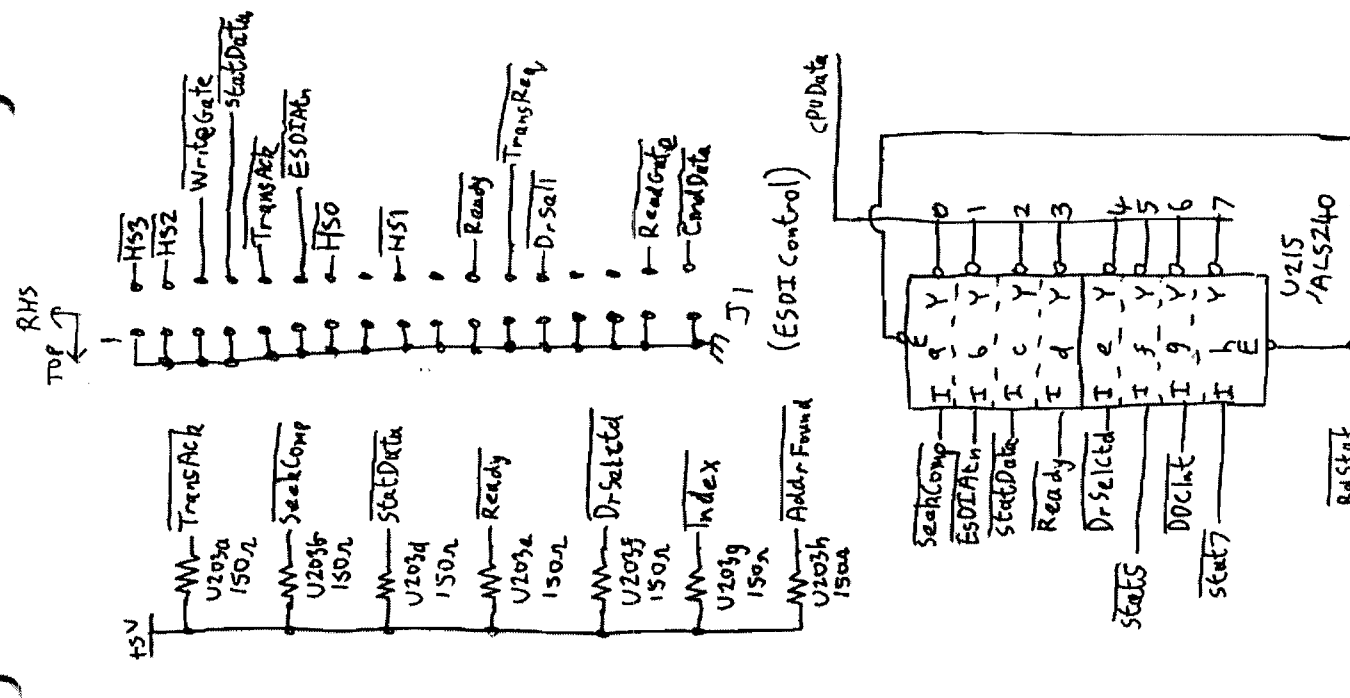
Controller
Power

HP7959B

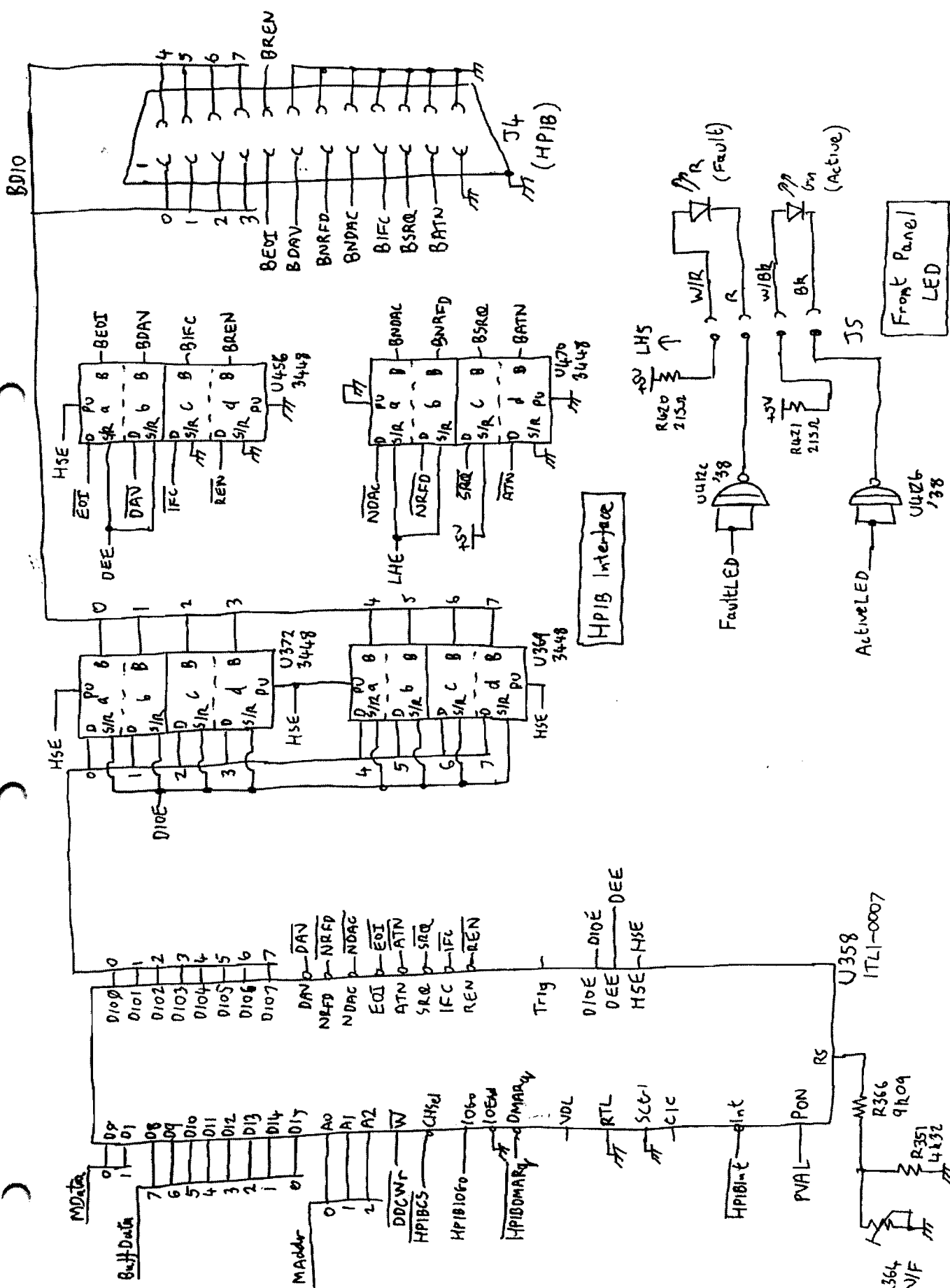


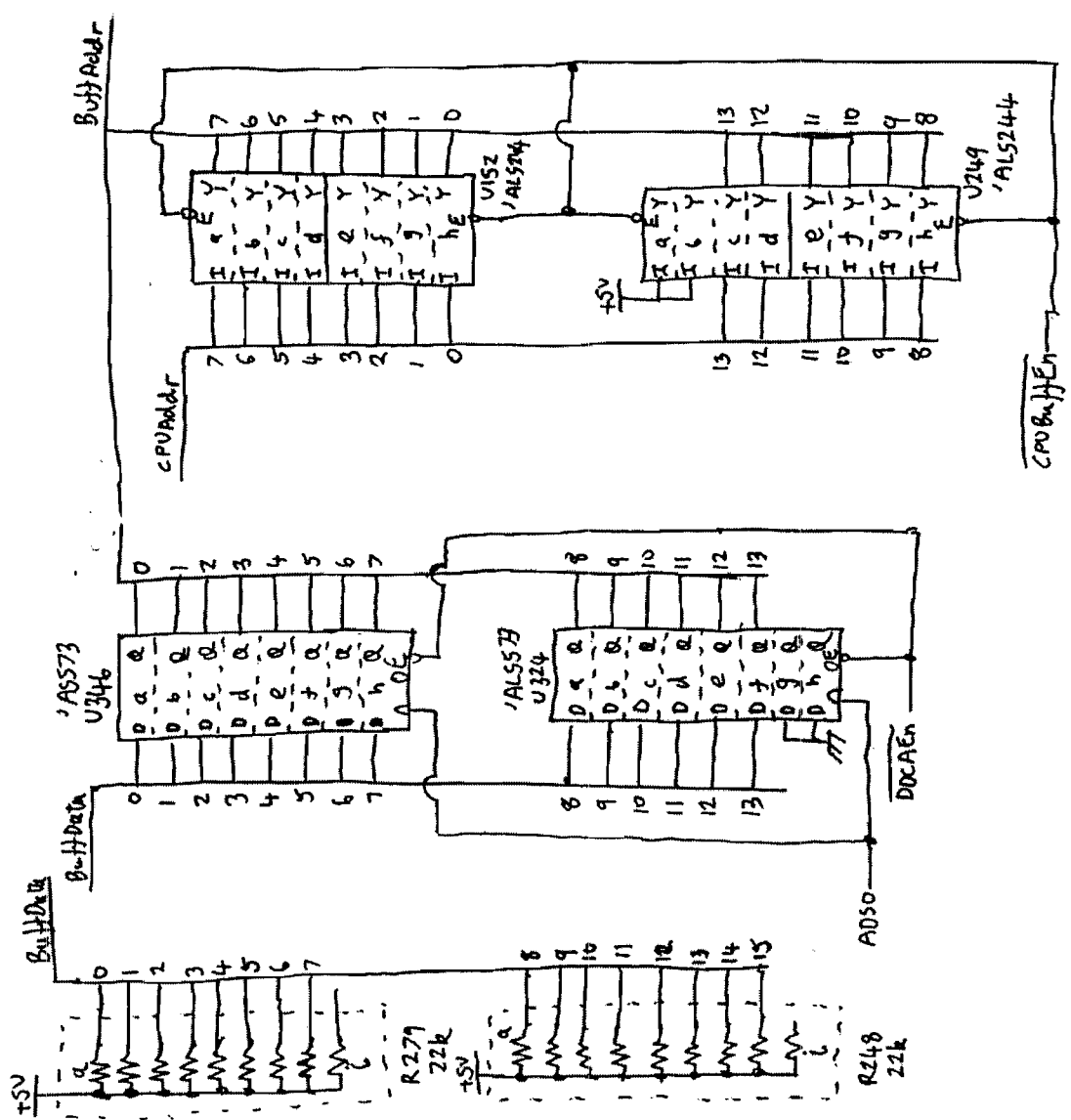




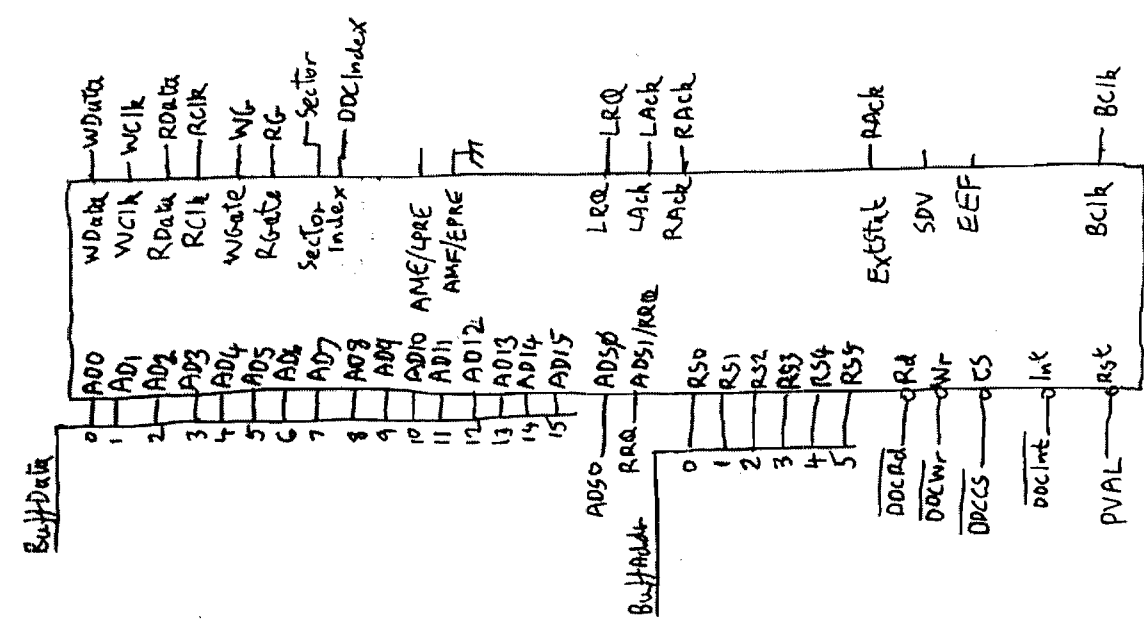


I/O Port Gate Array



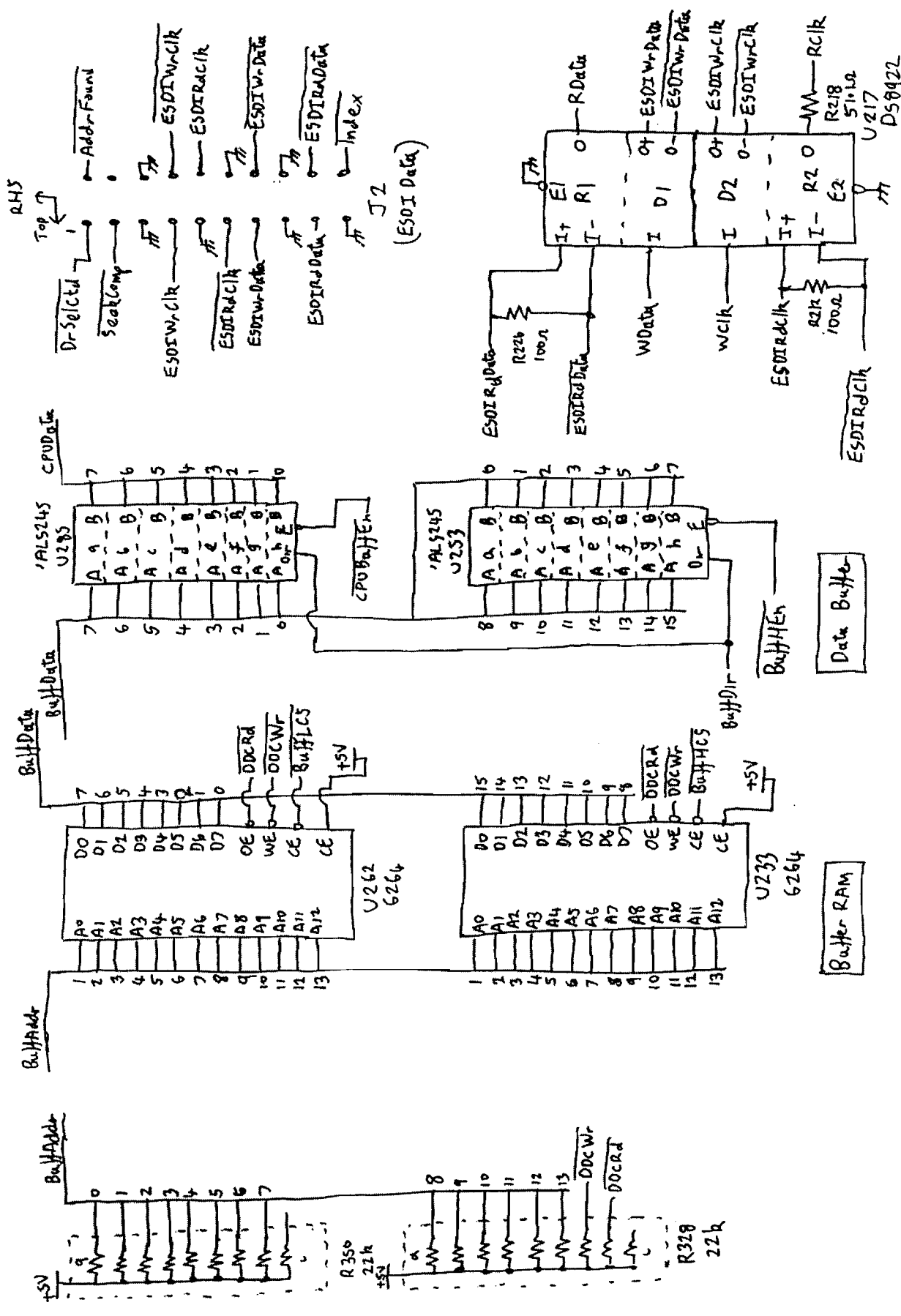


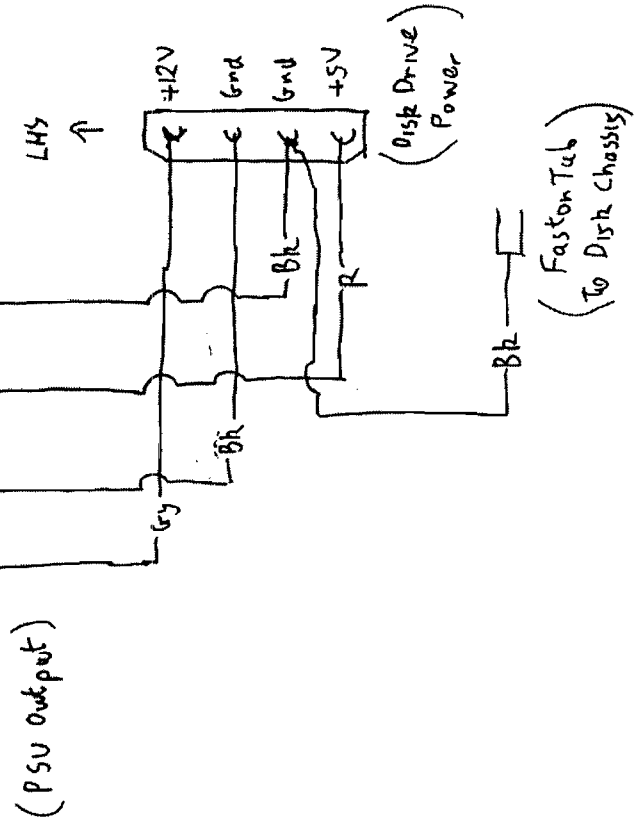
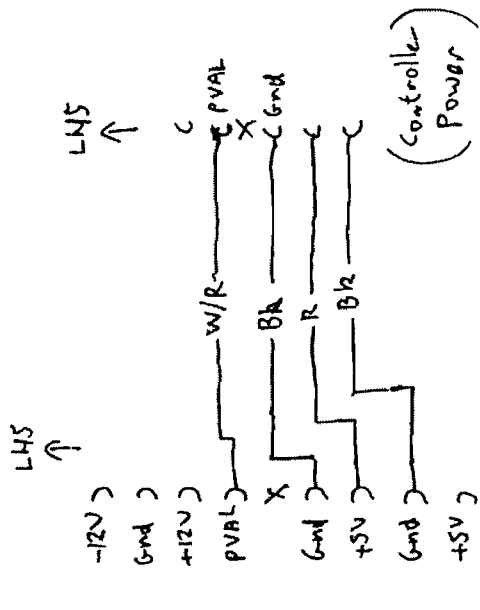
Buffer Address



U336
DP8466

DPC

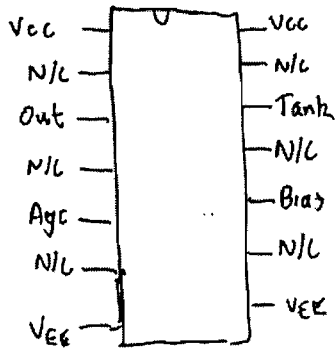




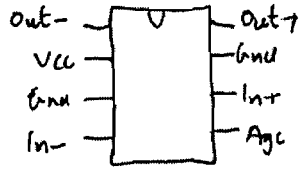
07957-60092

HP 7959B Power Cable

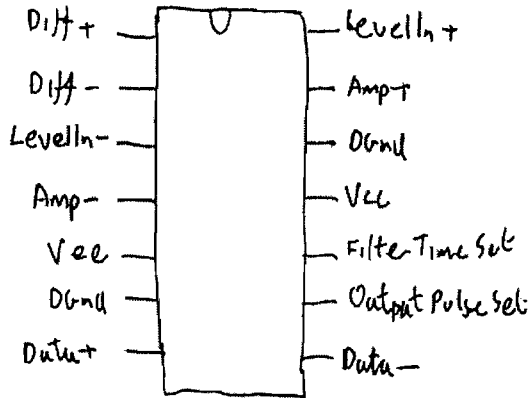
HP97536



MC1648
Oscillator



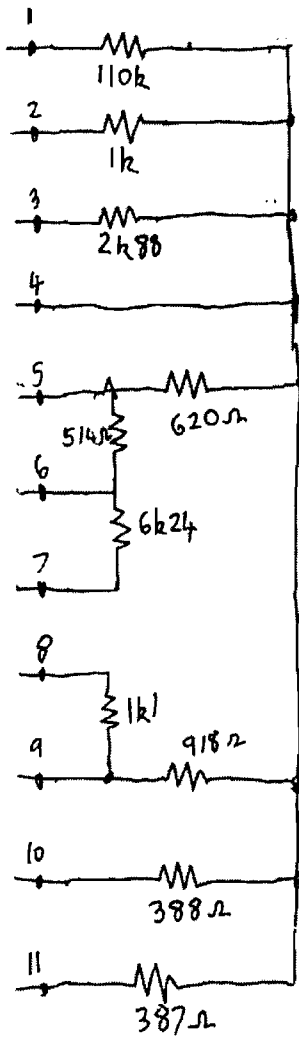
MC1350
IF Amplifier



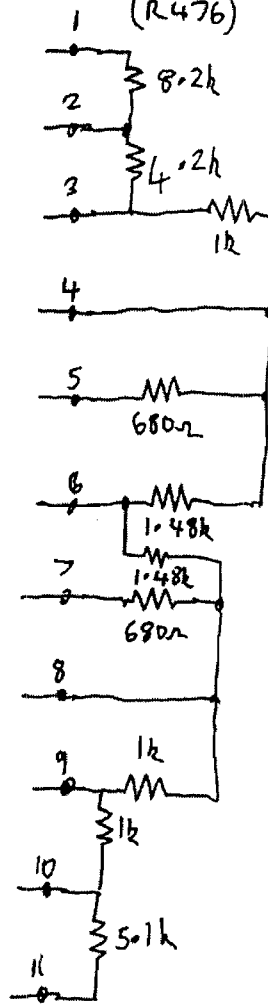
A0891
Rigid Disk Data Channel Qualifier
1820-5489

(Thanks to Steven Canning for identification
of this IC)

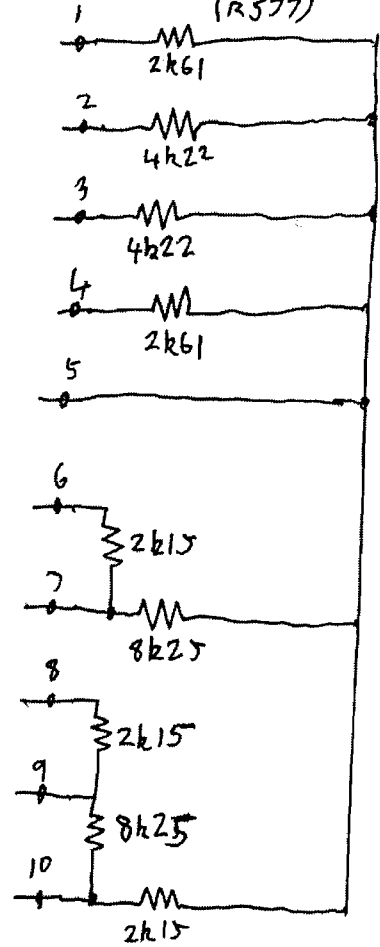
Resistor Array (R355)
1810-1135

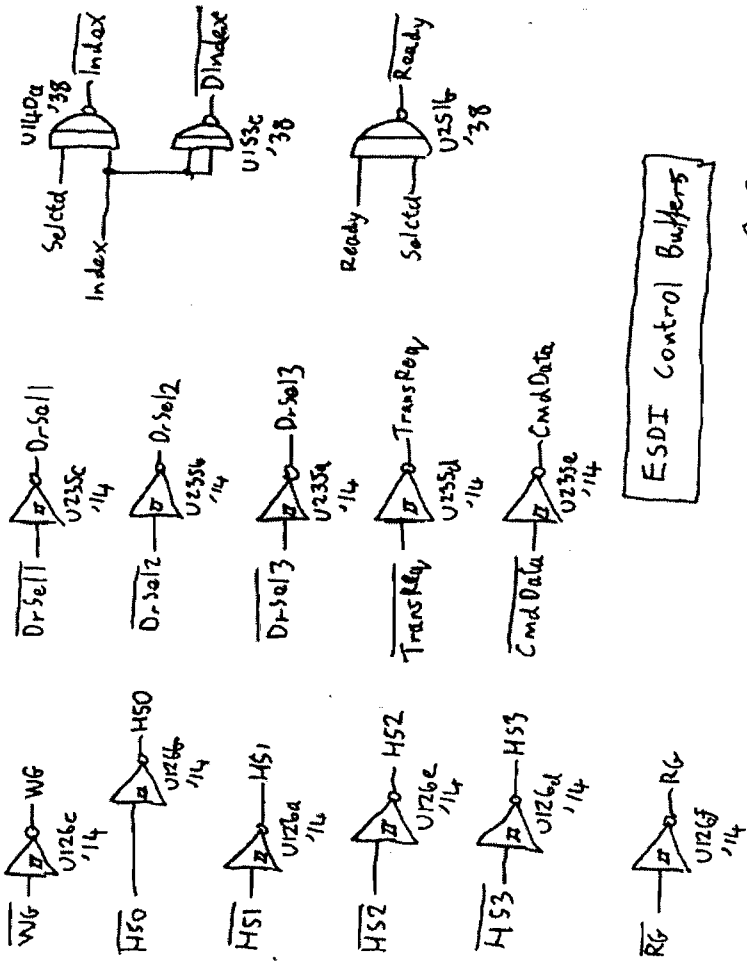
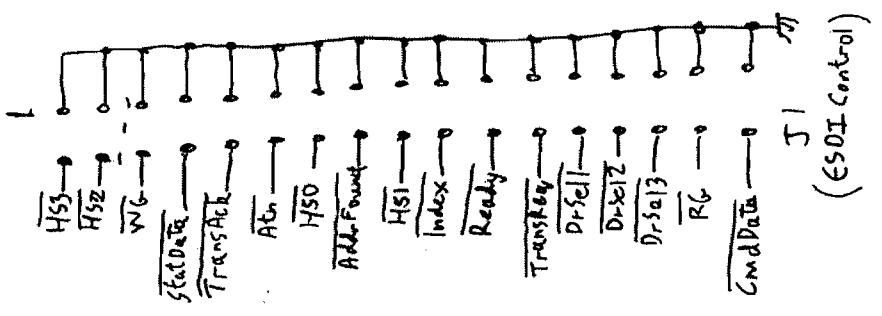
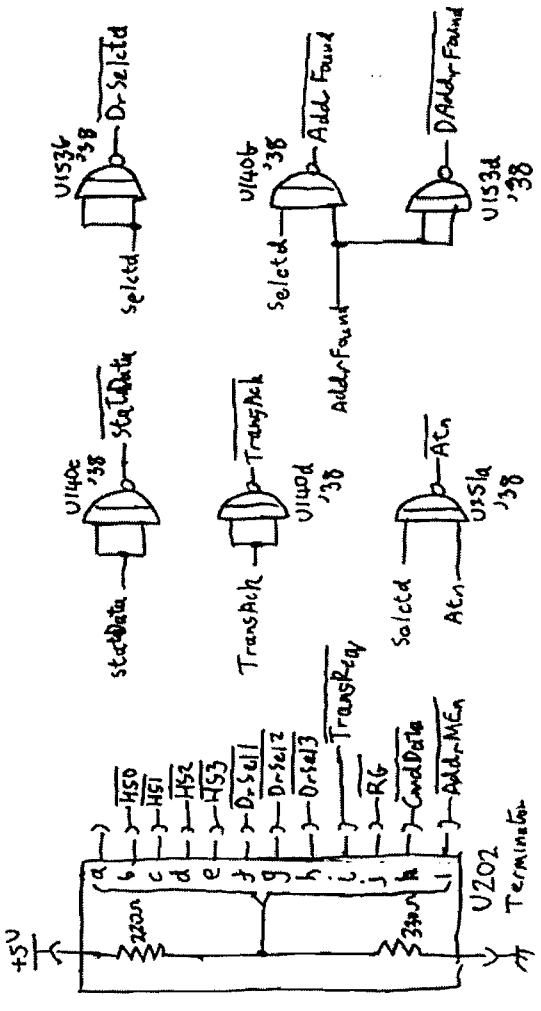
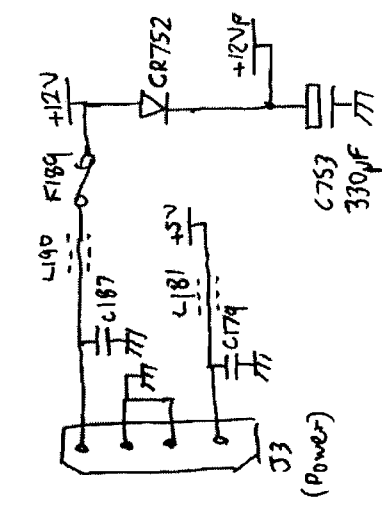


Resistor Array
1810-1133
(R476)

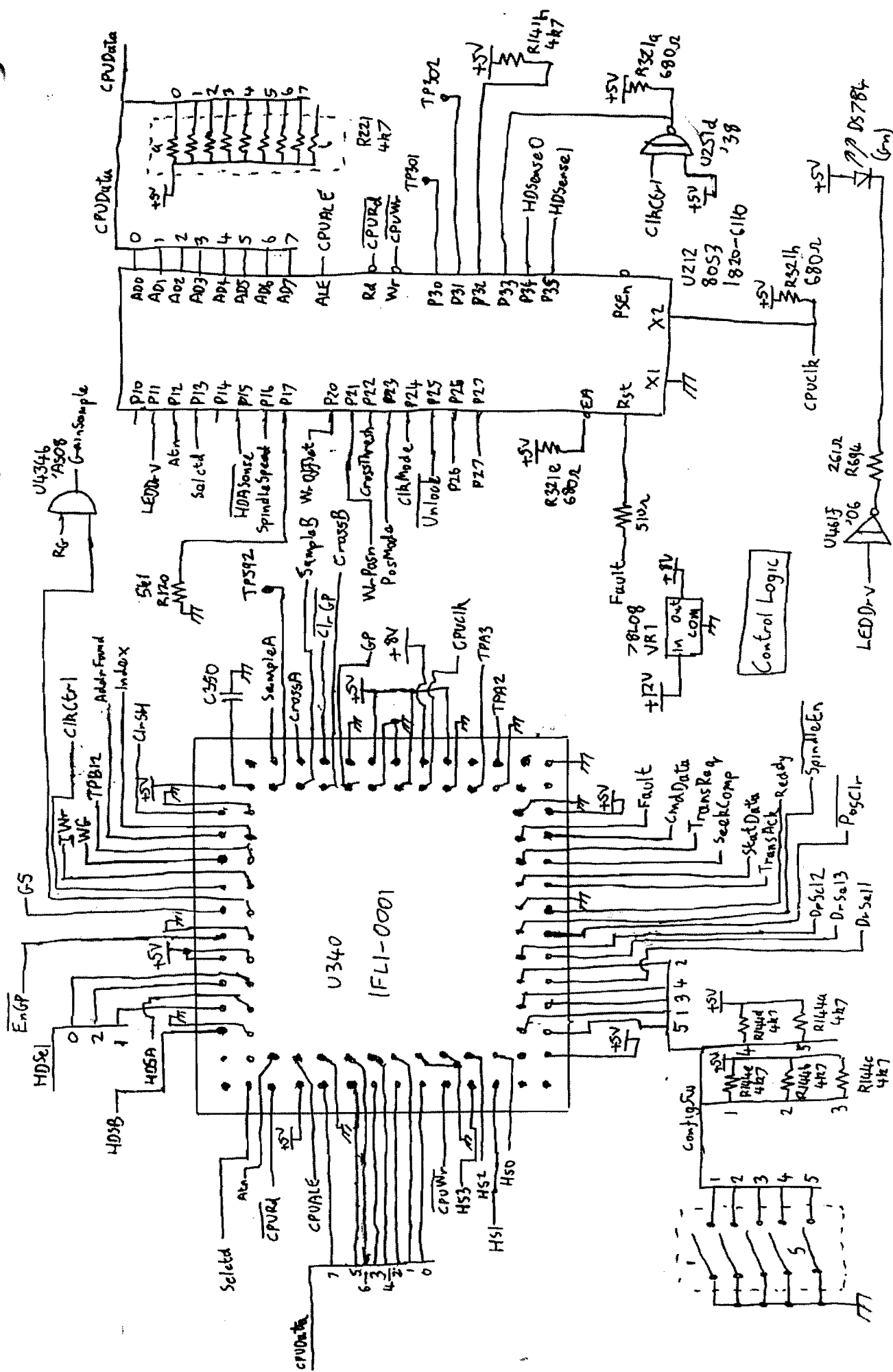


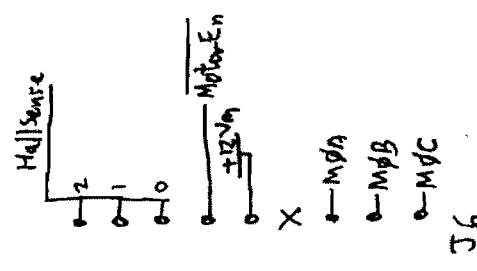
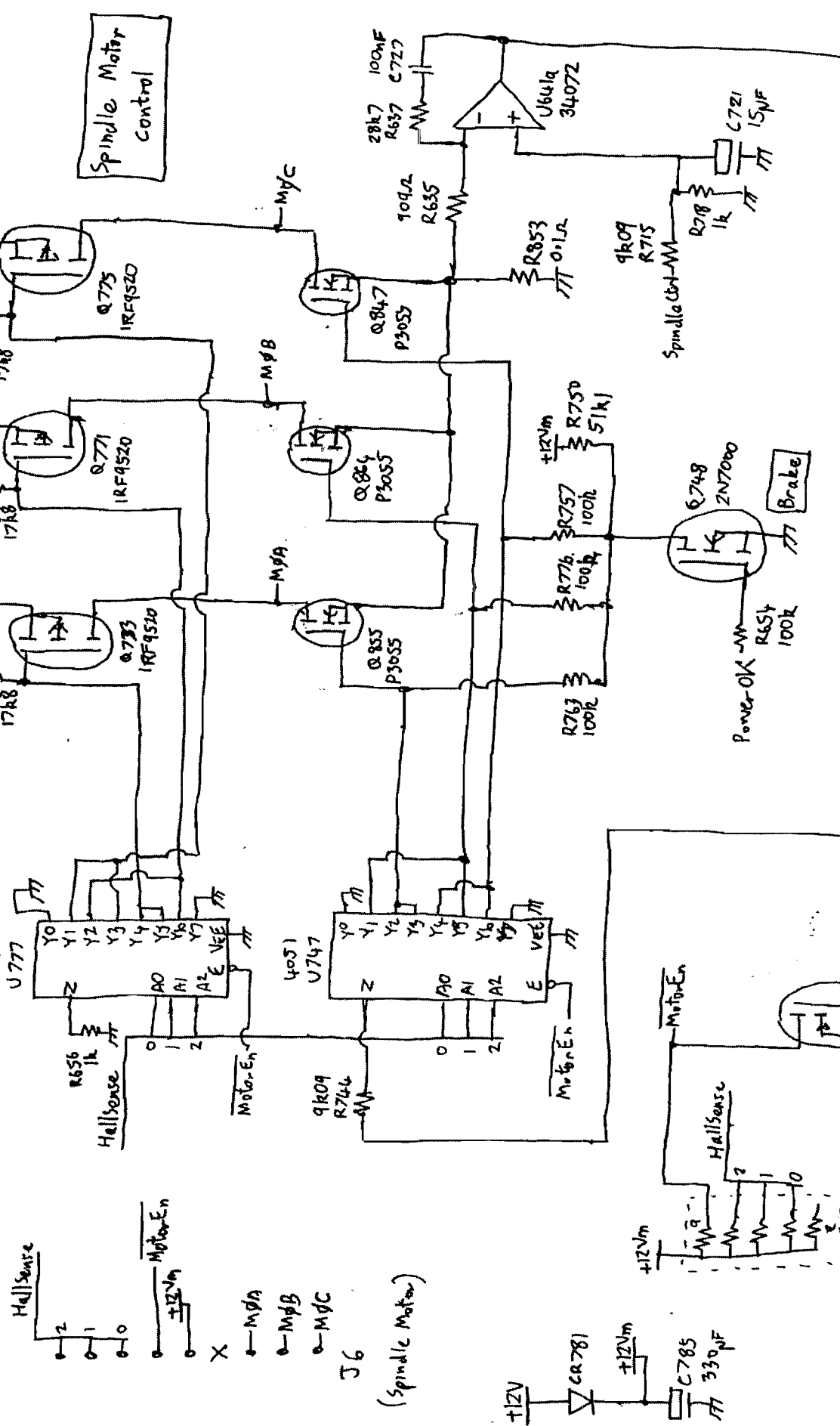
Resistor Array
T5723
(R577)



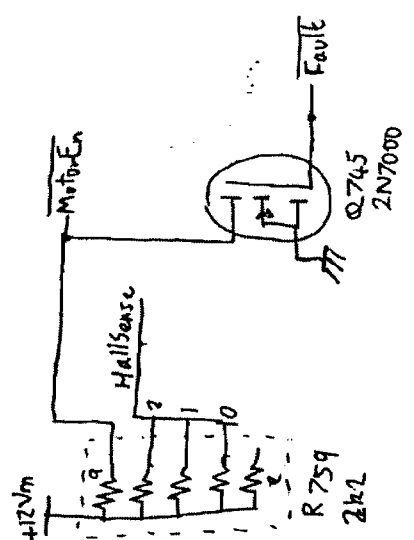
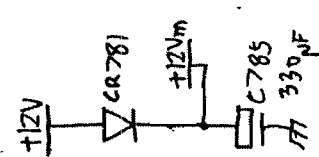


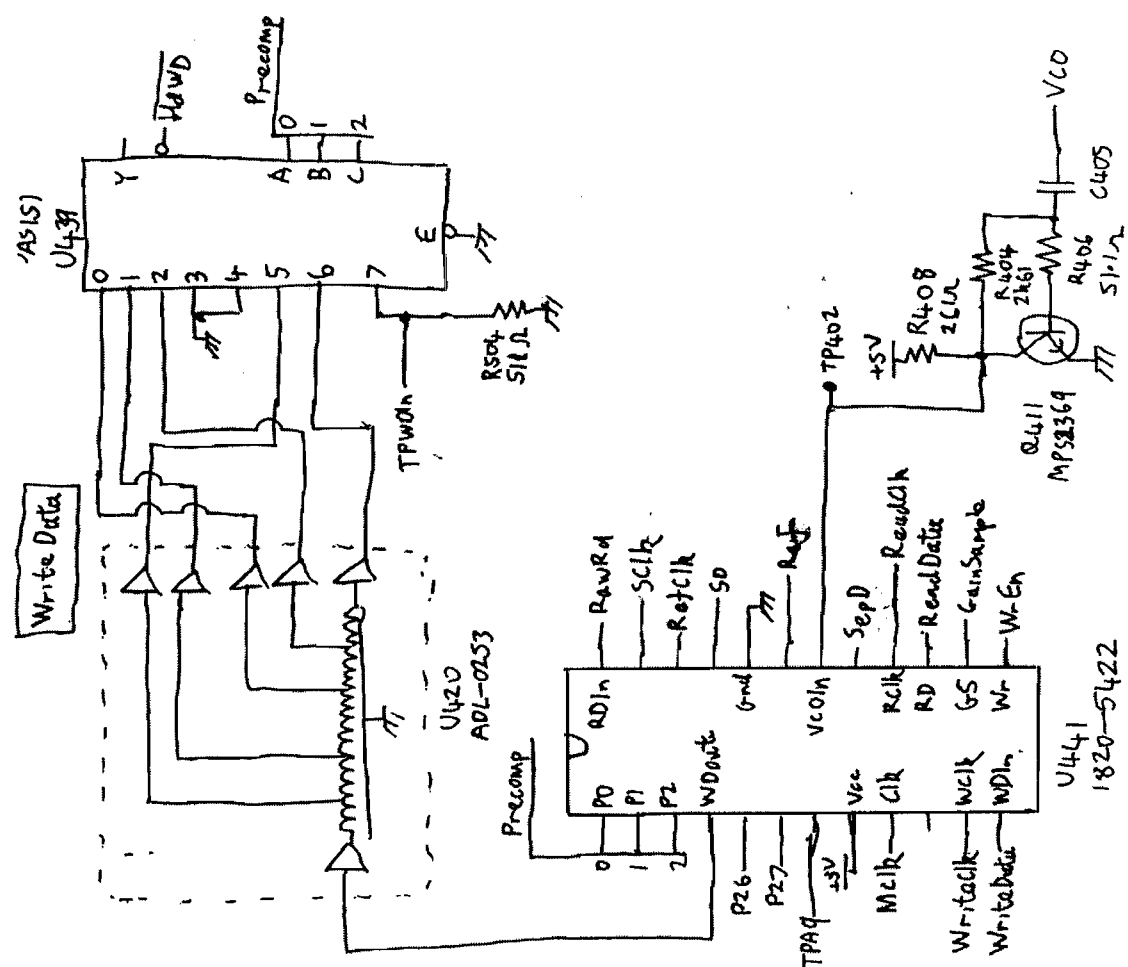
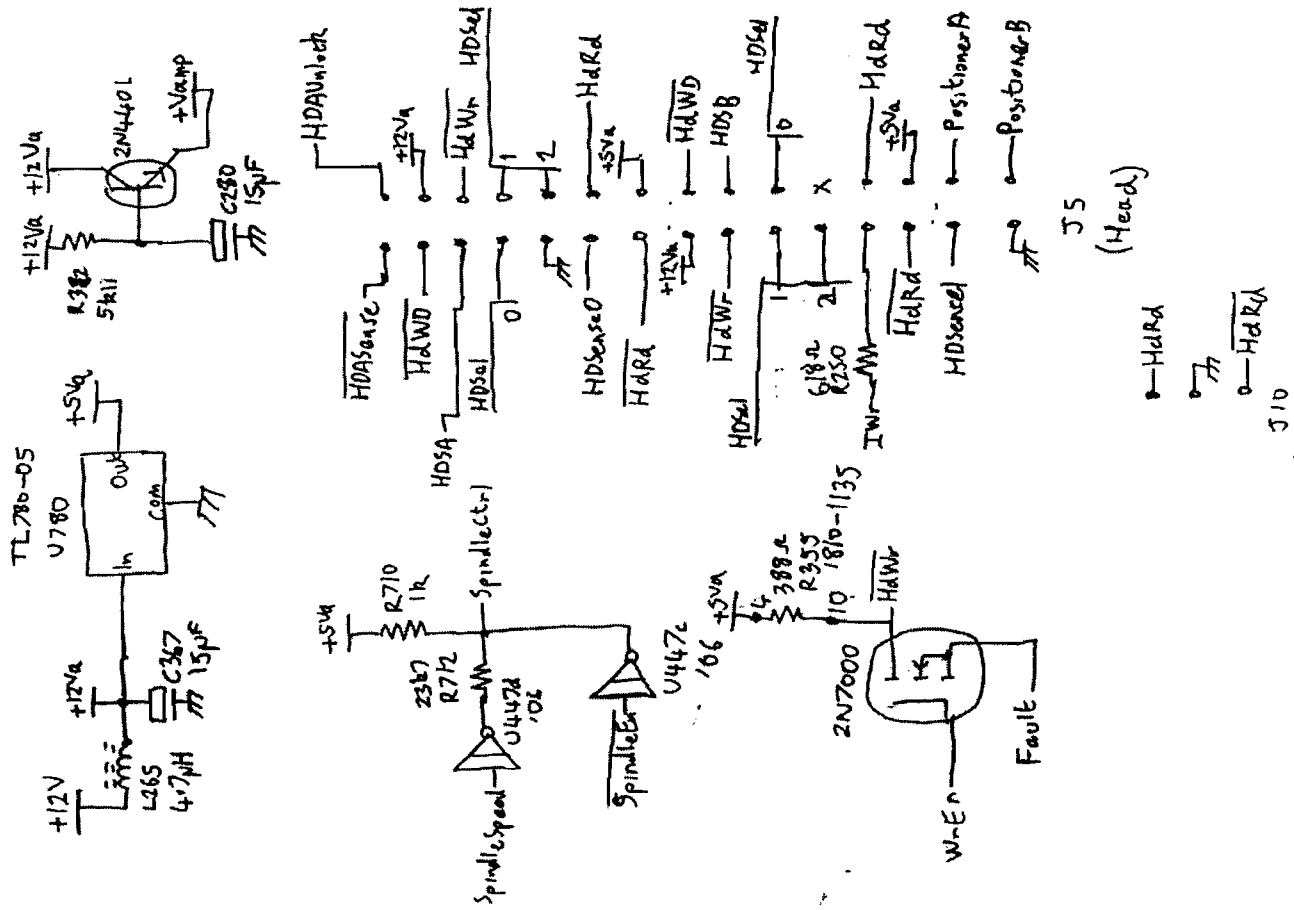
ESDI Control Buffers



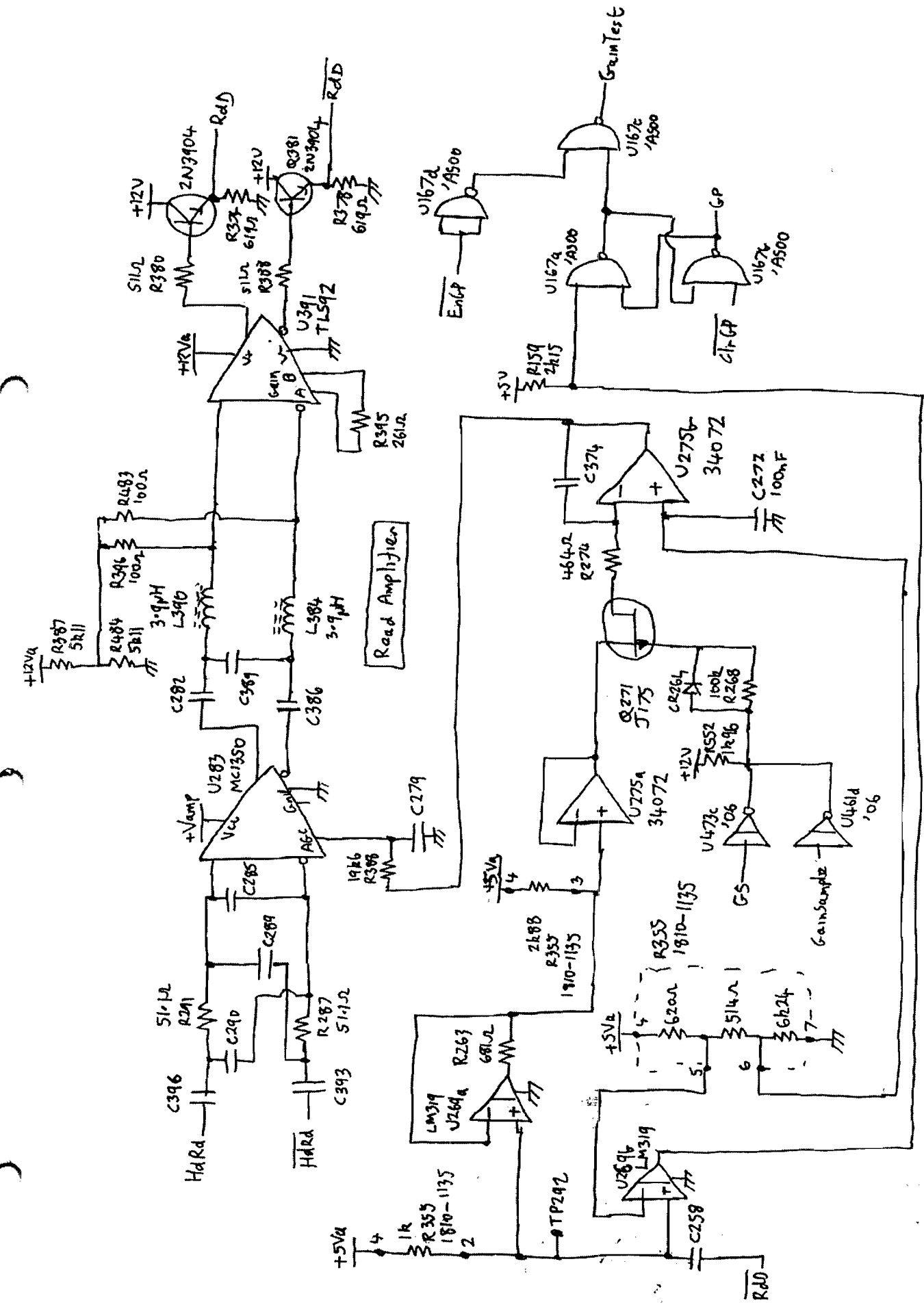


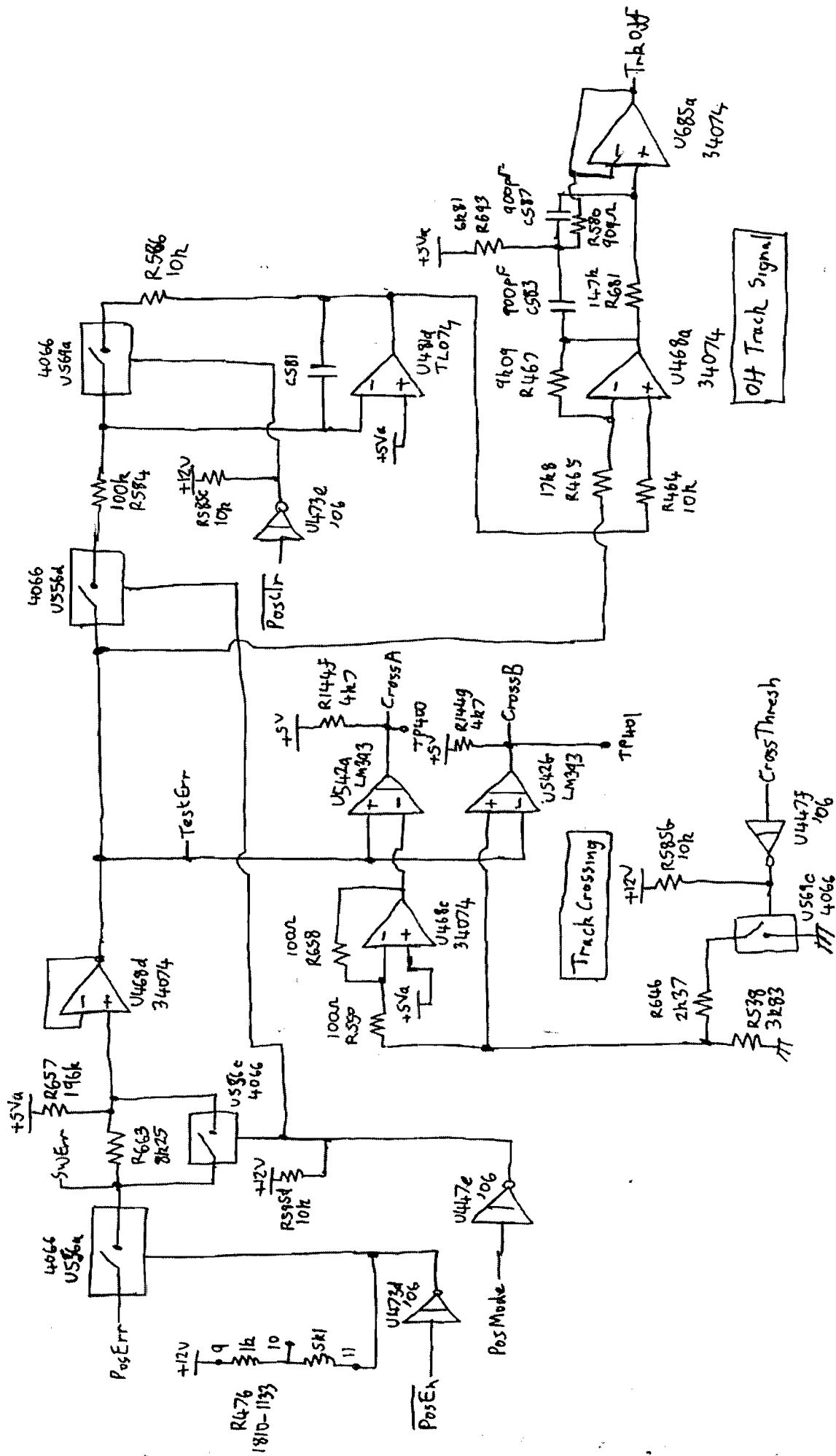
J6
(Spindle Motor)

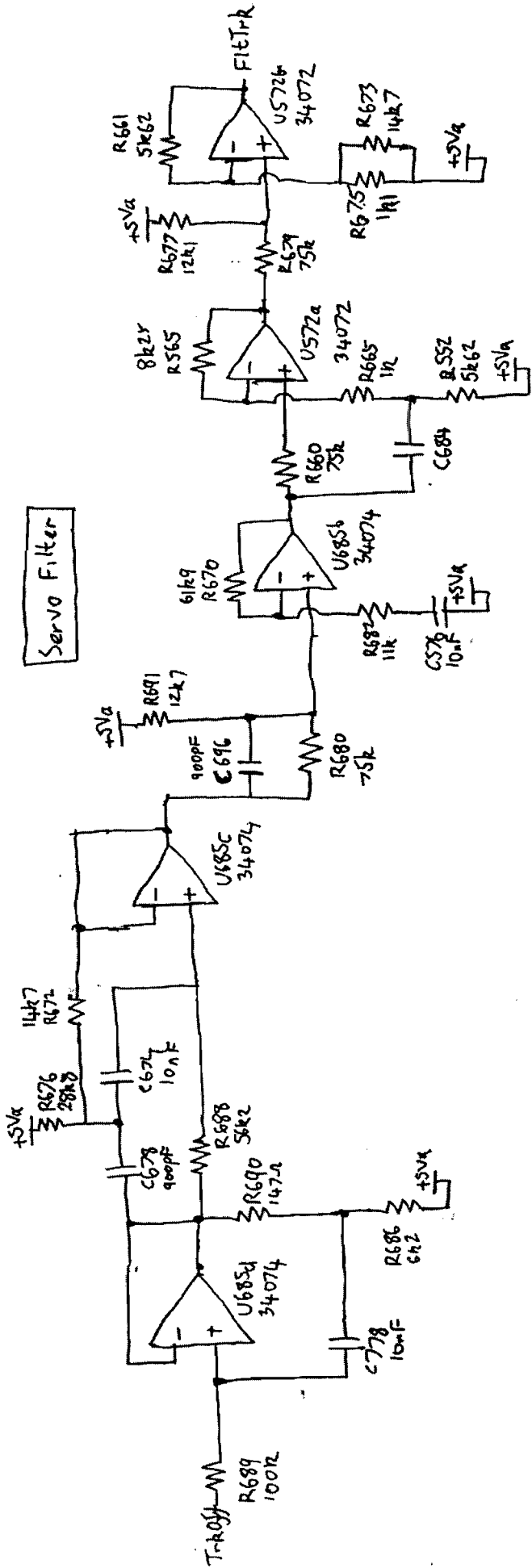




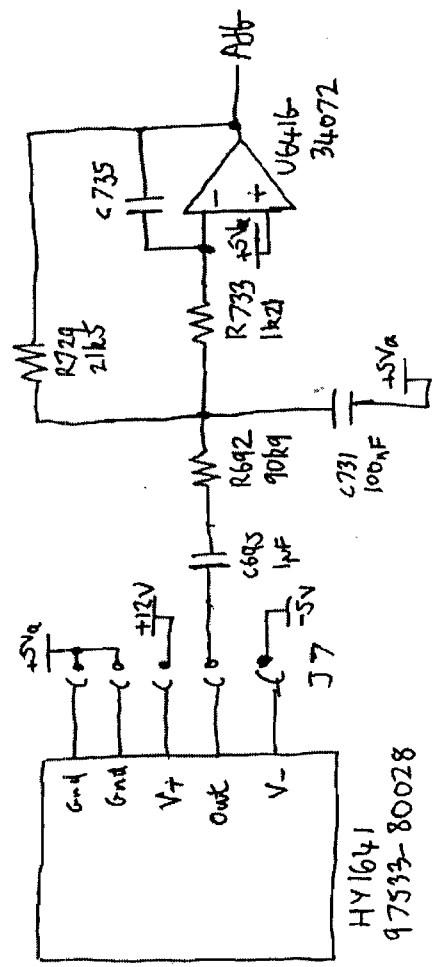
HP97536 Disk Drive Logic PCB sheet 5 97533-60004





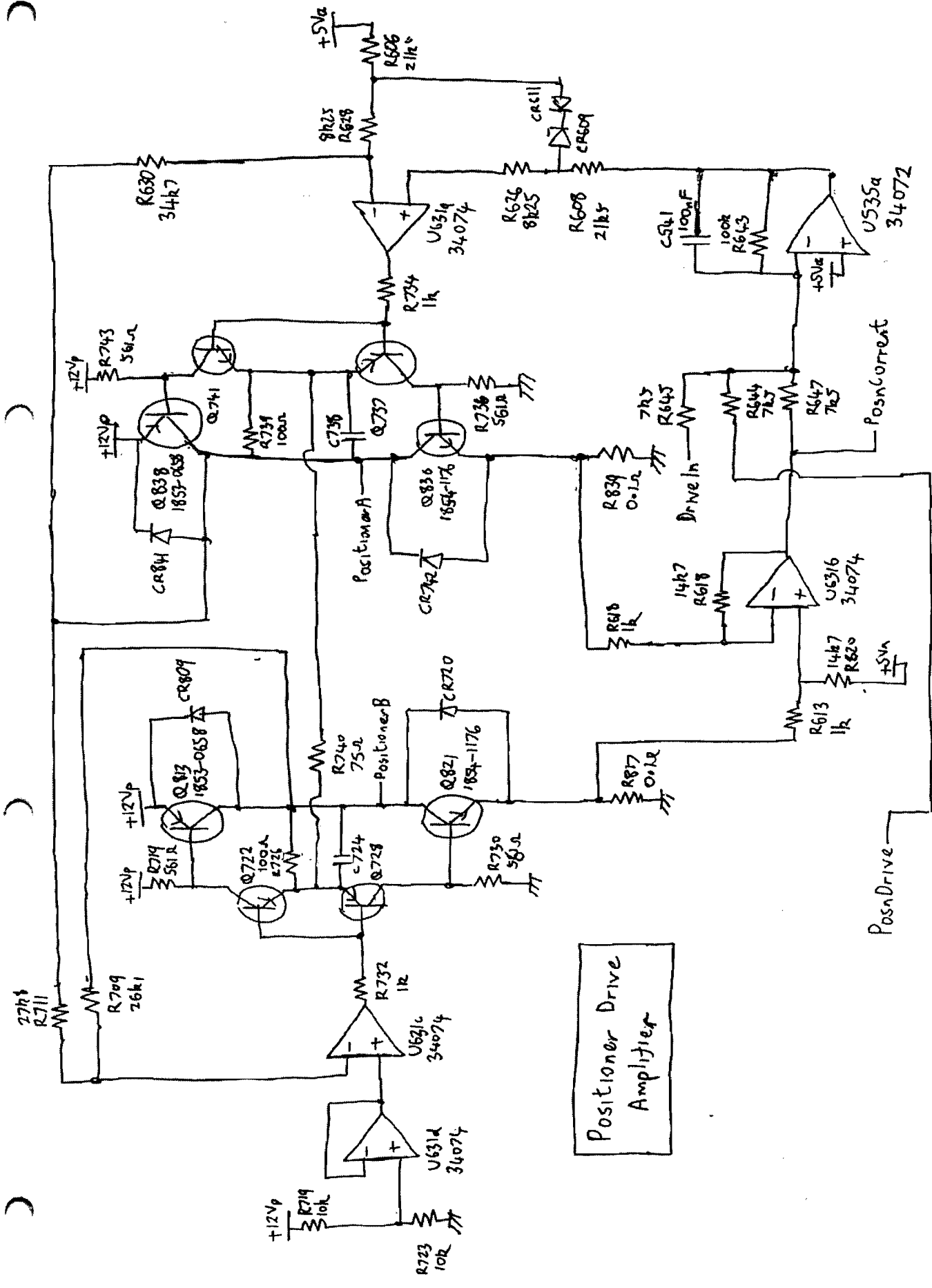


Servo Filter

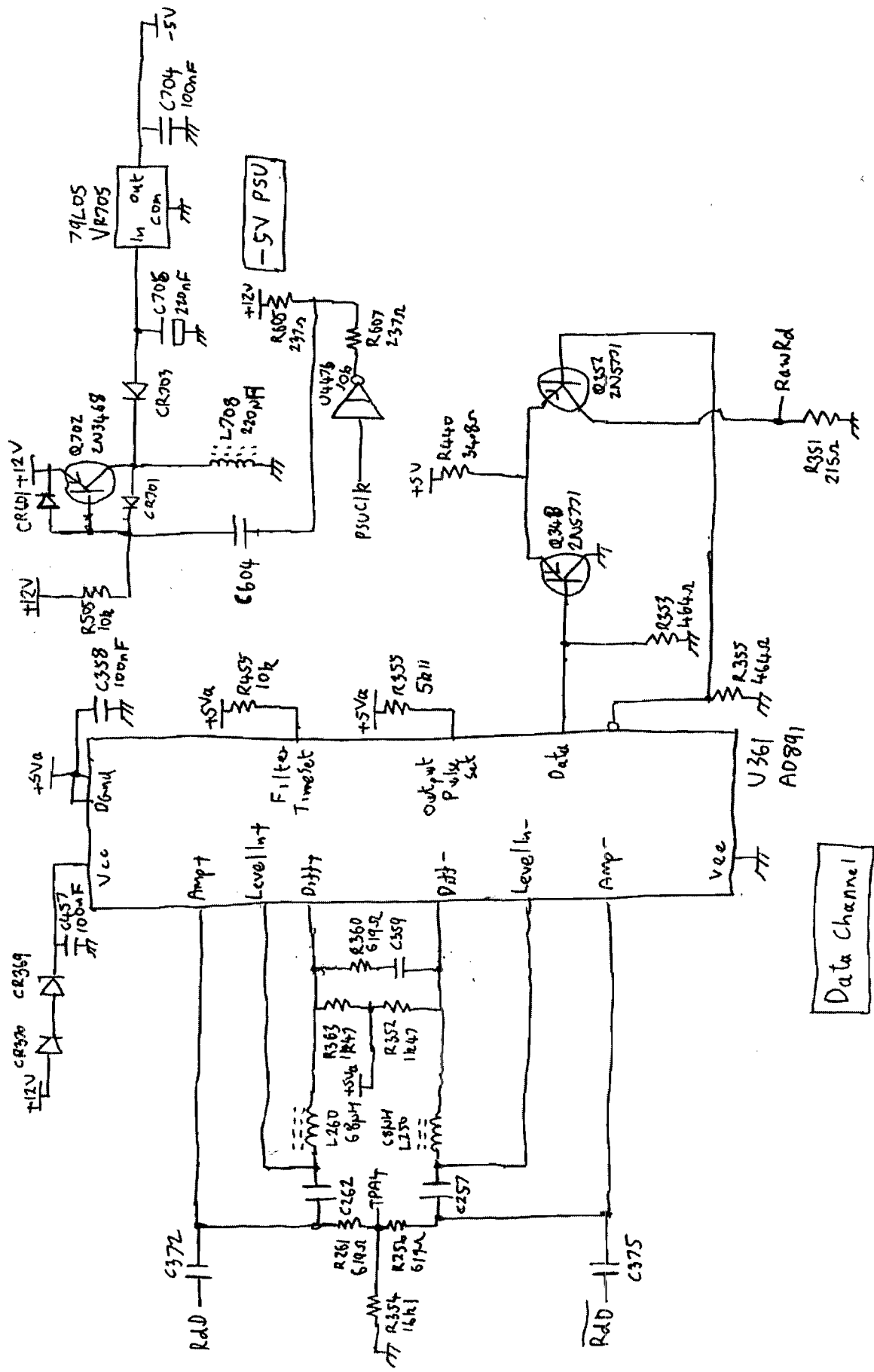


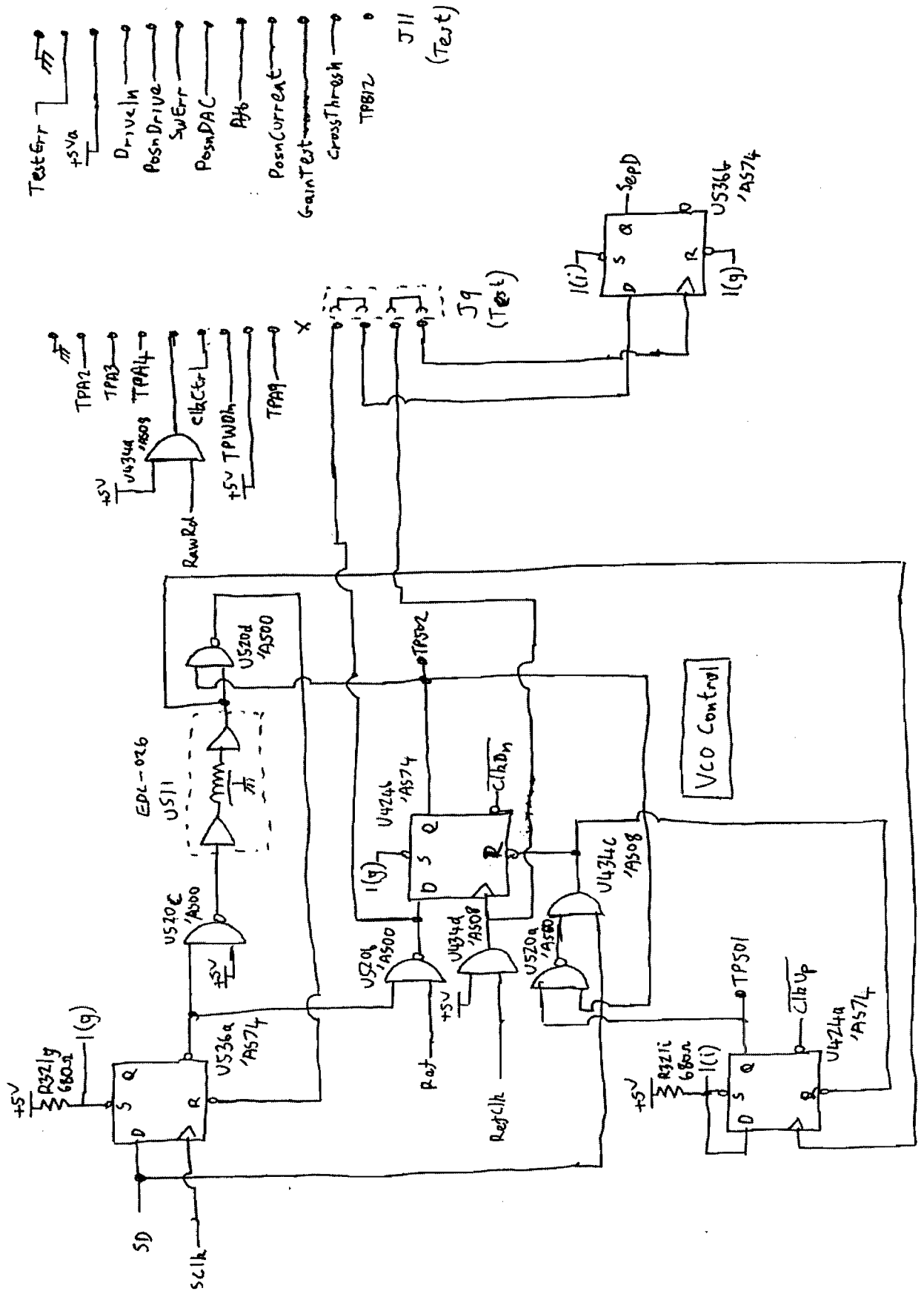
Accelerometer

HY1641
97533-80028



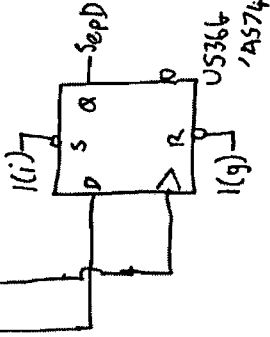
Positioner Drive Amplifier

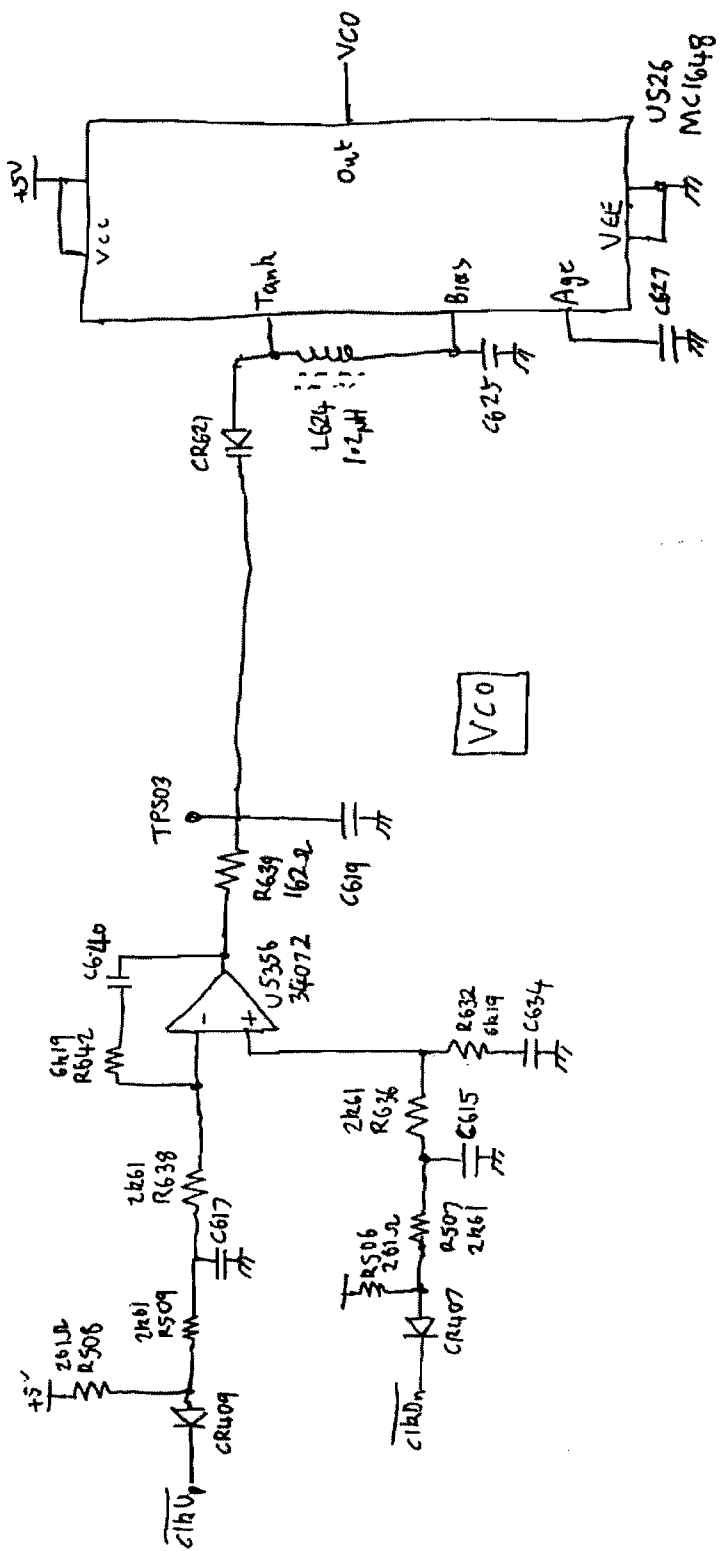


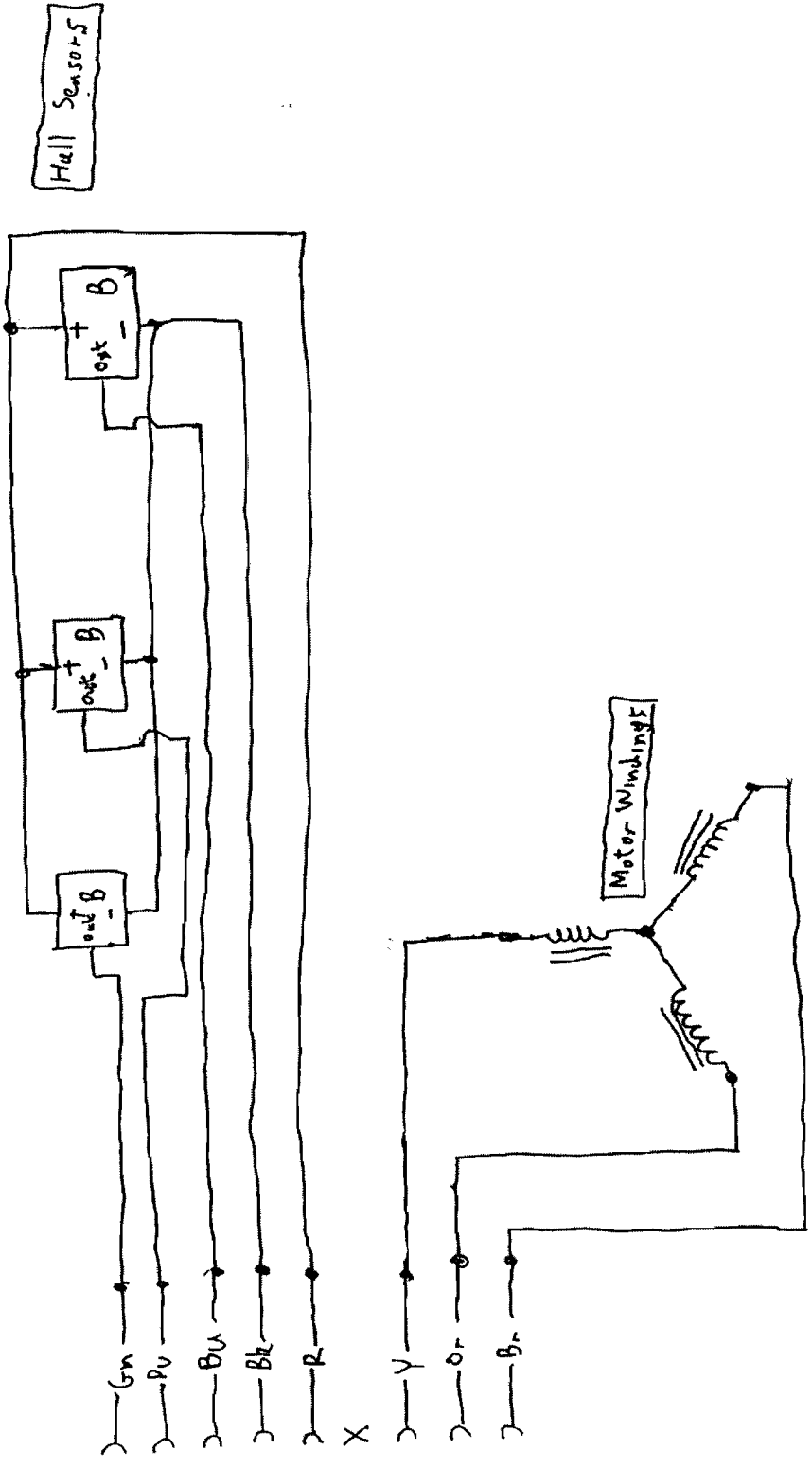


- TestErr
- +5Va
- DriveIn
- Posn Drive
- SwErr
- Posn DAC
- Aff6
- Posn Current
- Gain Test
- CrossThresh
- TPB1Z
- J11
- (Test)

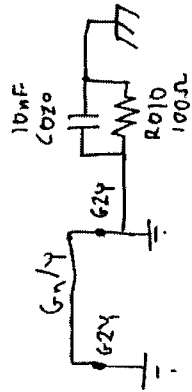
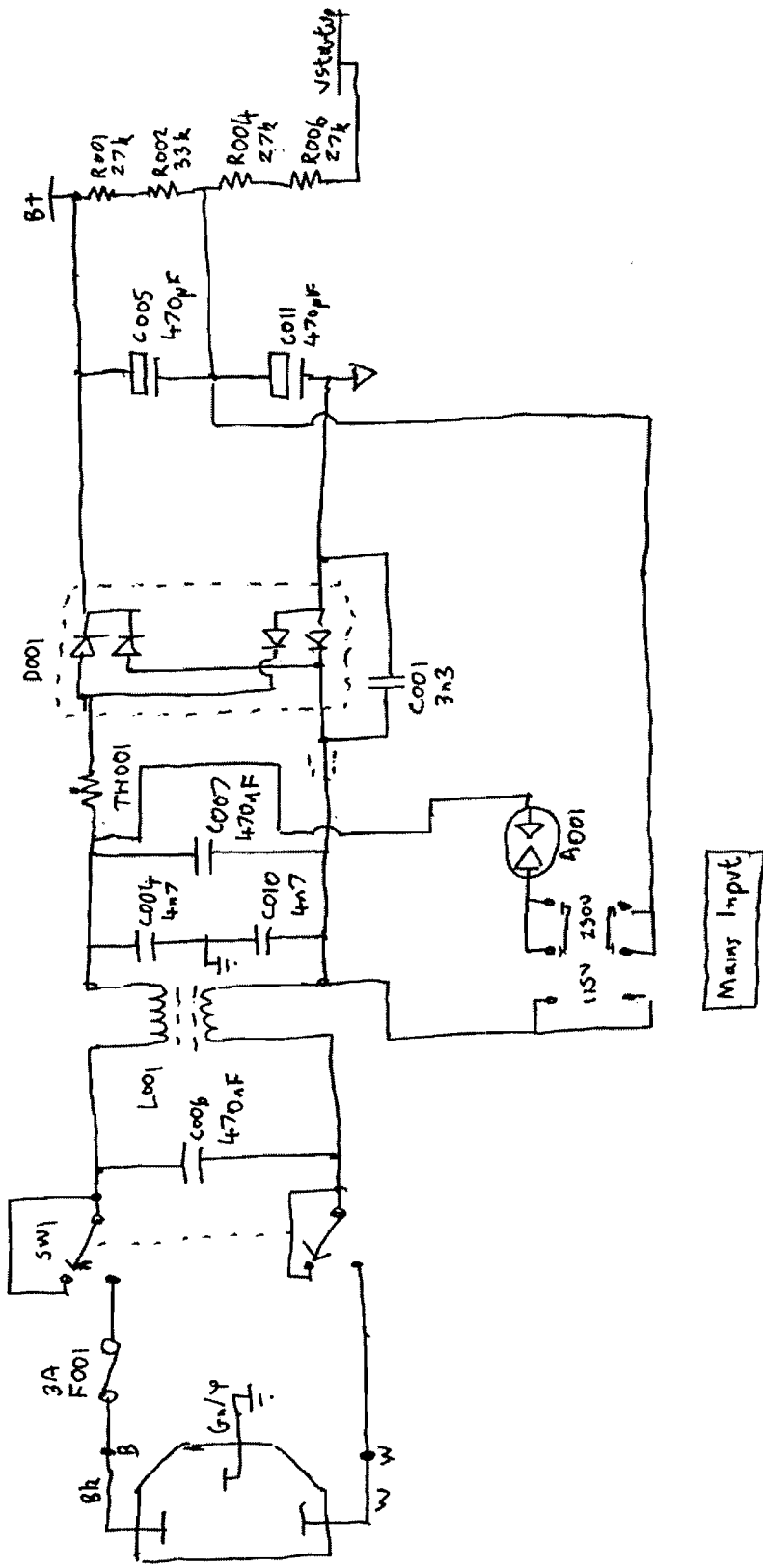
- TPA2
- TPA3
- TPA4
- U4344
- RawRd
- clock
- +5V TPWDh
- TPA9
- X

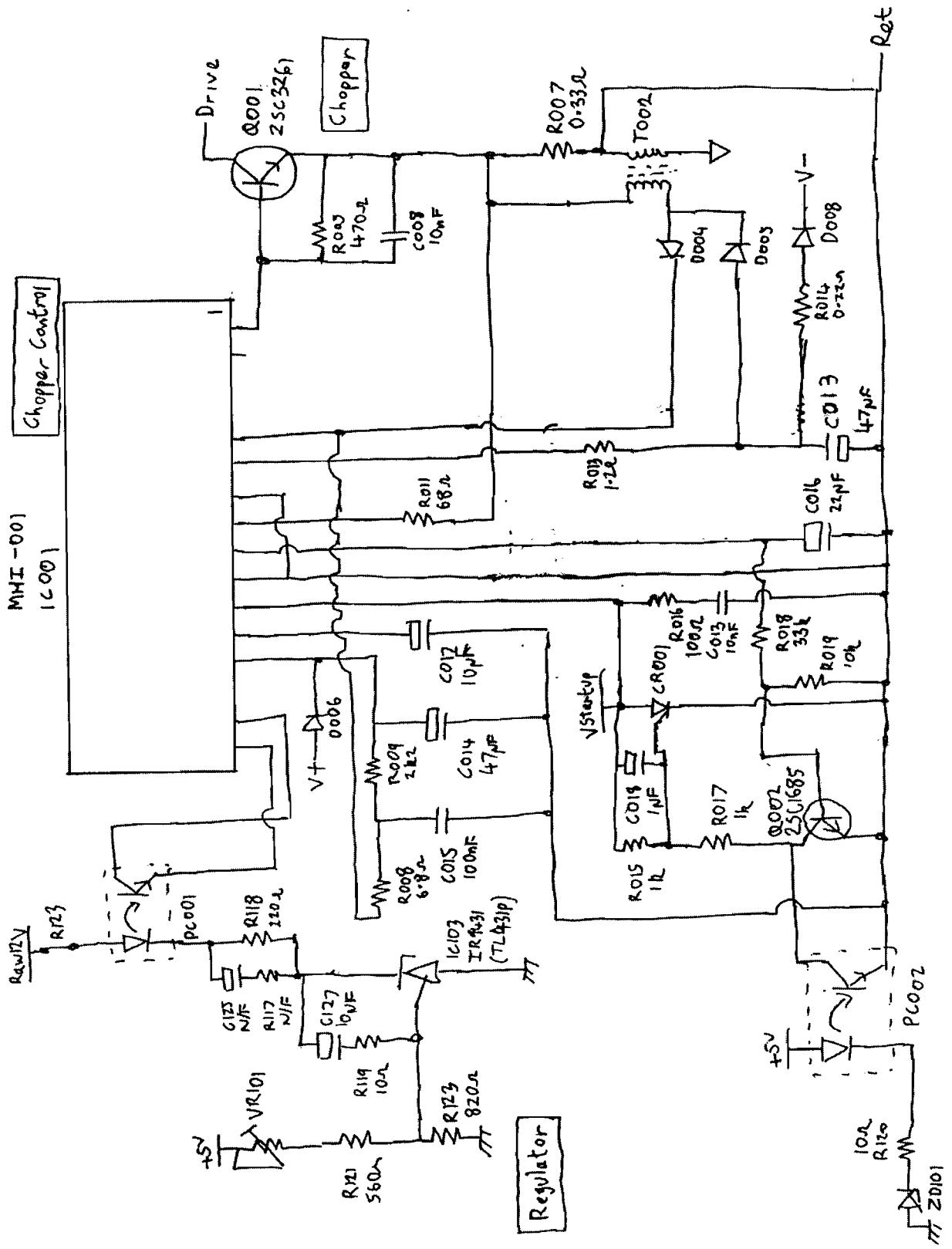


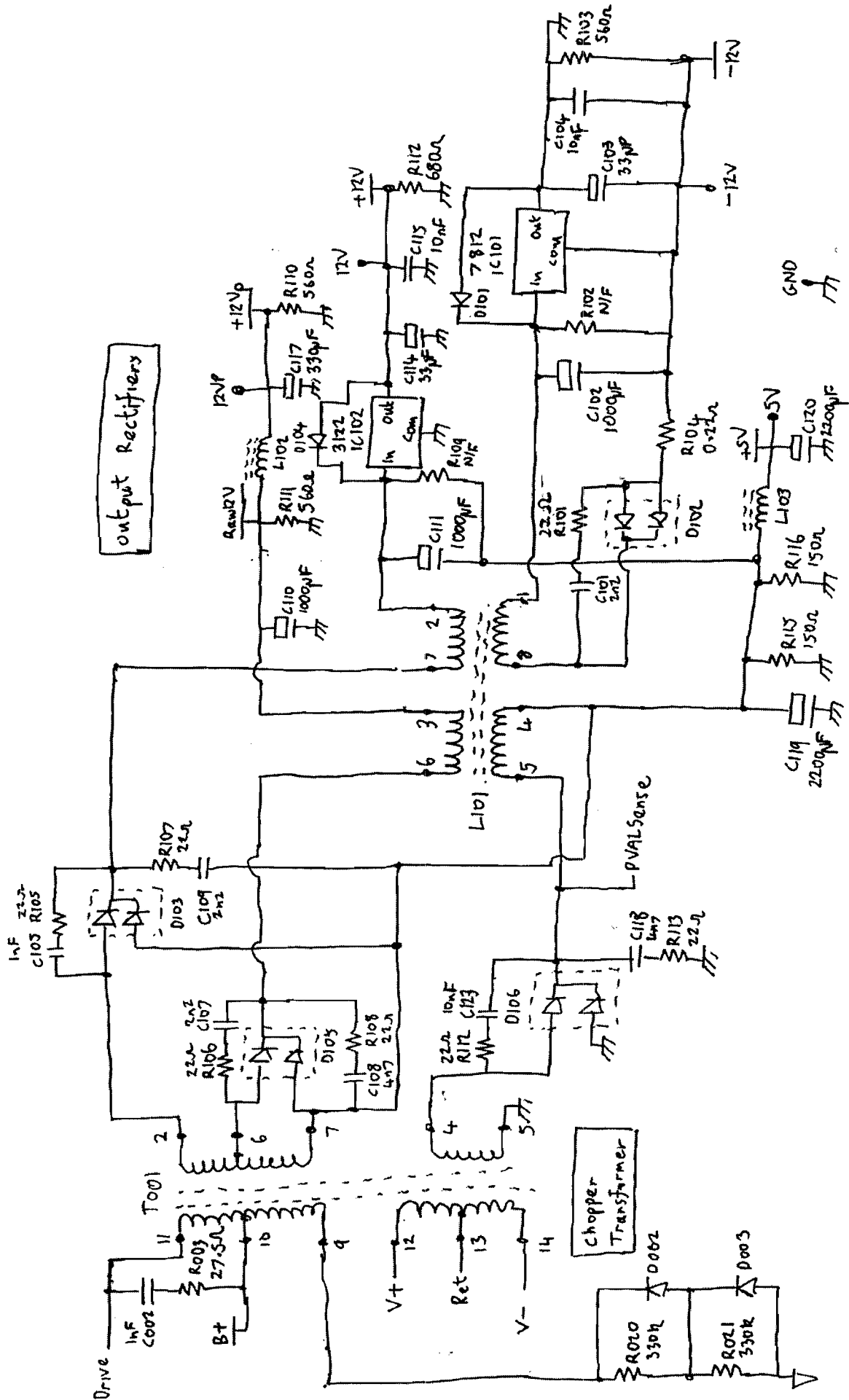




HP 97536 Disk Drive spindle Motor



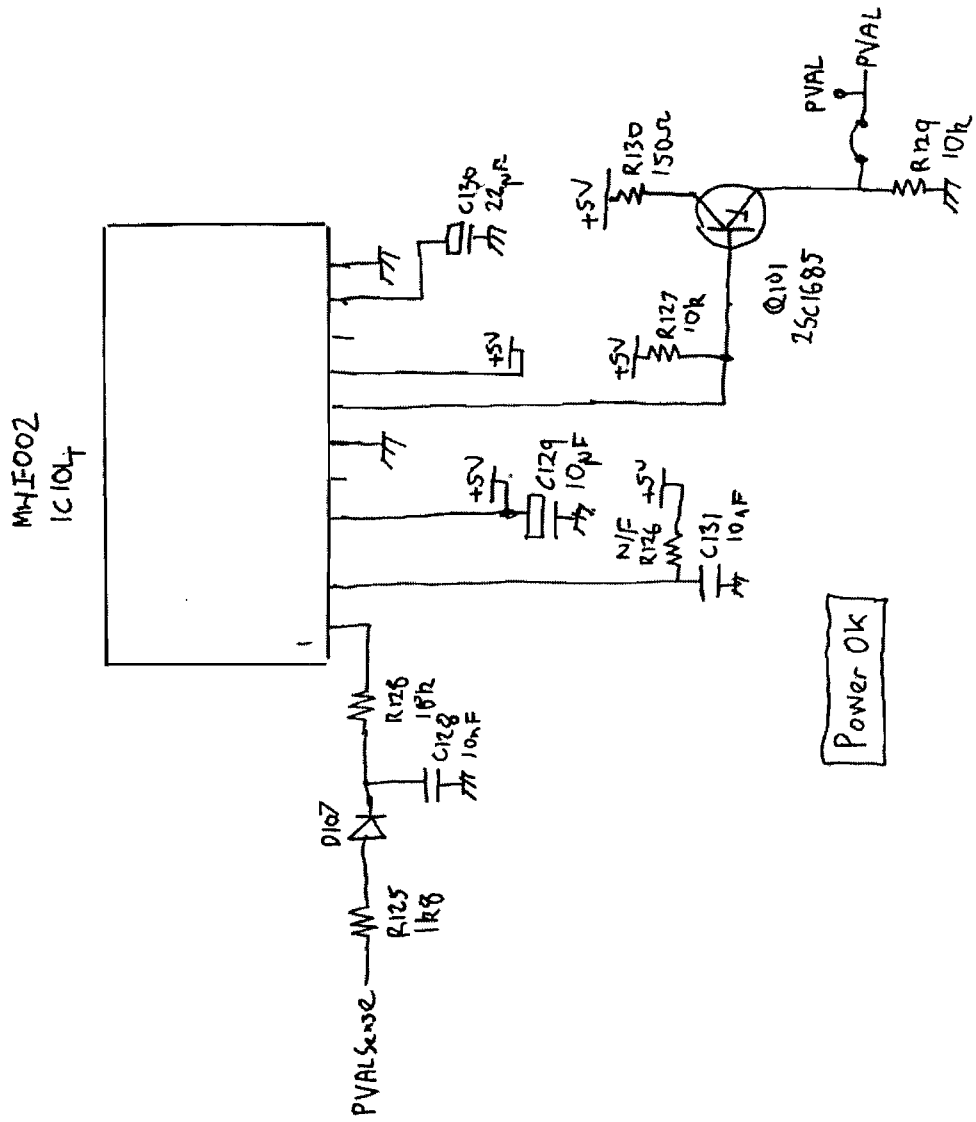
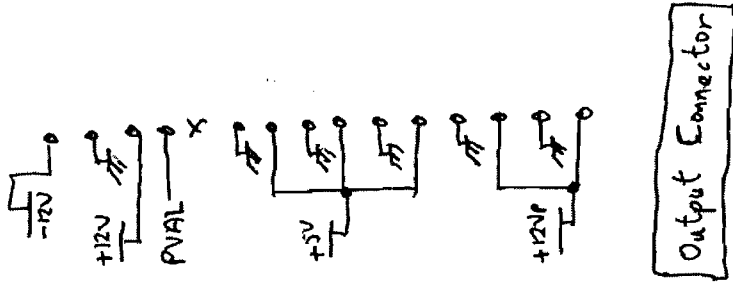




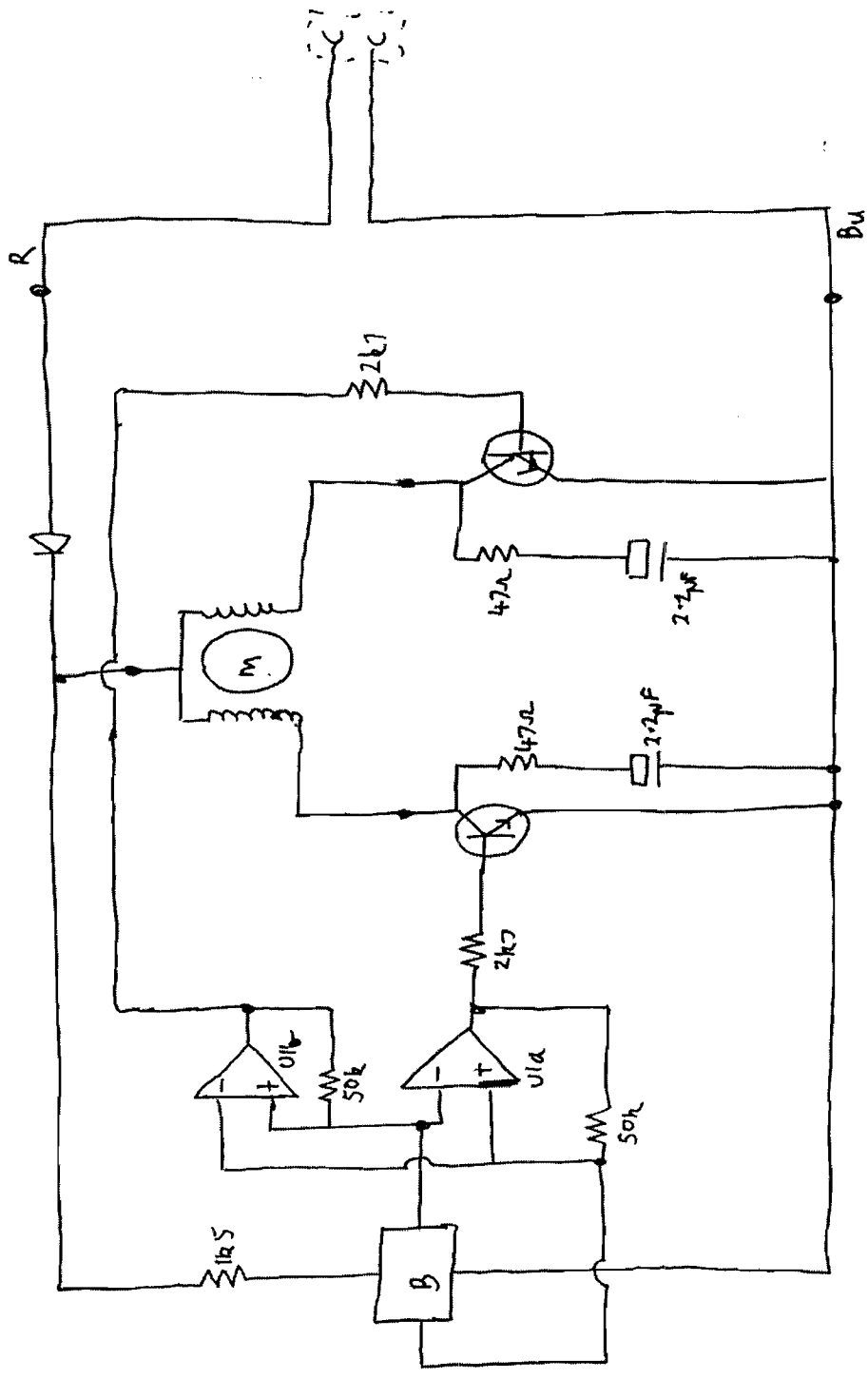
Output Rectifiers

Chopper Transformer

PVALsense



Power OK



HP Mass Storage Unit Fan Fan₆Flo FBH-08A 12M

