

Model 743i (HP-UX) (A4260A) and Model 743rt (HP-RT) (A4261A)

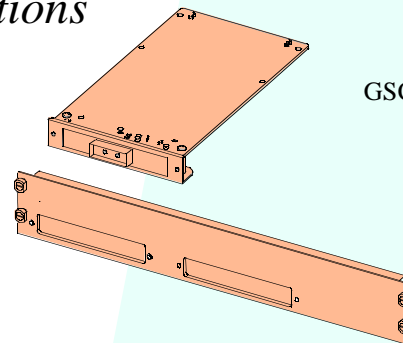
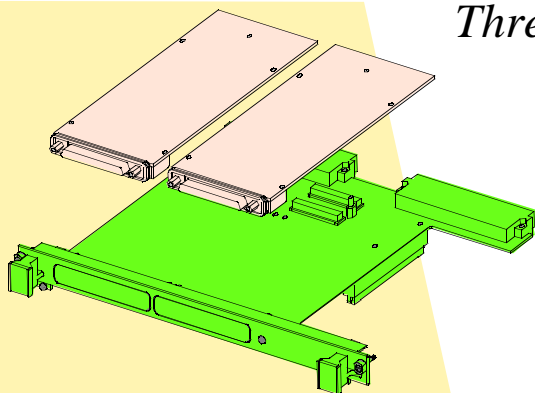
Configuration Options

Three Slot Solutions

PMC Expansion Adapter (A4509A)

Allows 2 PMC Cards
- third party cards available

Requires PMC Bridge Adapter



GSC ATM Card (J3420B)

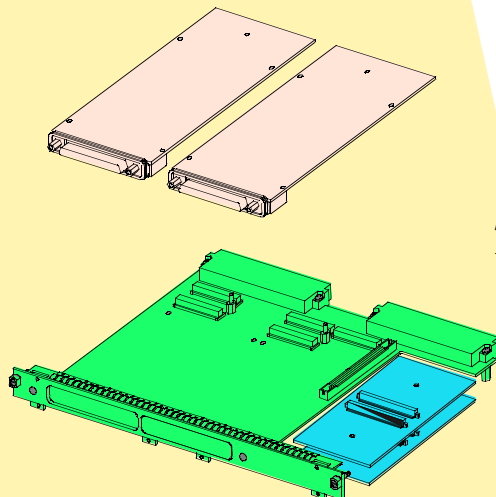
- requires GSC Expansion Kit (A4219A)
- allows one additional GSC card
(available for HP-UX systems only)

PMC Bridge Adapter (A4504A)

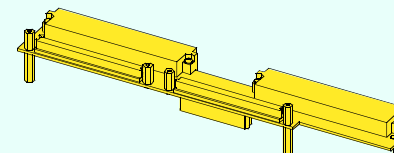
Allows 2 PMC Cards
- third party cards available

AND

Two additional memory cards
allowed (up to 256 MB)



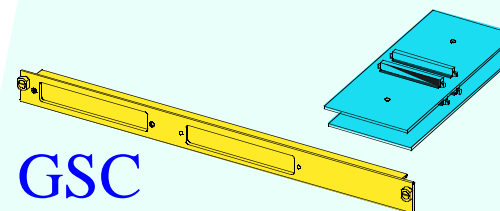
Two Slot Solutions



GSC Expansion Kit (A4219A)
- allows 2 GSC Cards

AND

Two additional memory cards
allowed (up to 256 MB)



PMC

or

GSC

Single Slot Solutions

Internal SE SCSI bus
CD-quality audio
2 asynch, RS-232C ports
1 HP Parallel port
1 LAN AUI port
2 mini-DIN PS/2 ports
2 sites for memory cards

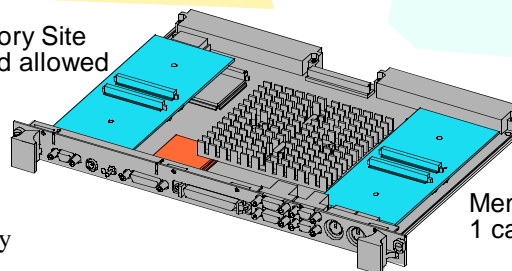
Options:

64 or 100 MHz CPU

Onboard graphics*

32 to 128 MB main memory

Memory Site
1 card allowed



Memory Site
1 card allowed

Option 201=64 MHz w/o graphics
Option 202=64 MHz w/graphics
Option 203=100 MHz w/o graphics
Option 204=100 MHz w/graphics

A4265A=32MB, A4266A=64MB

*Maximum of 4 graphics displays with HP-UX 10.20 ACE