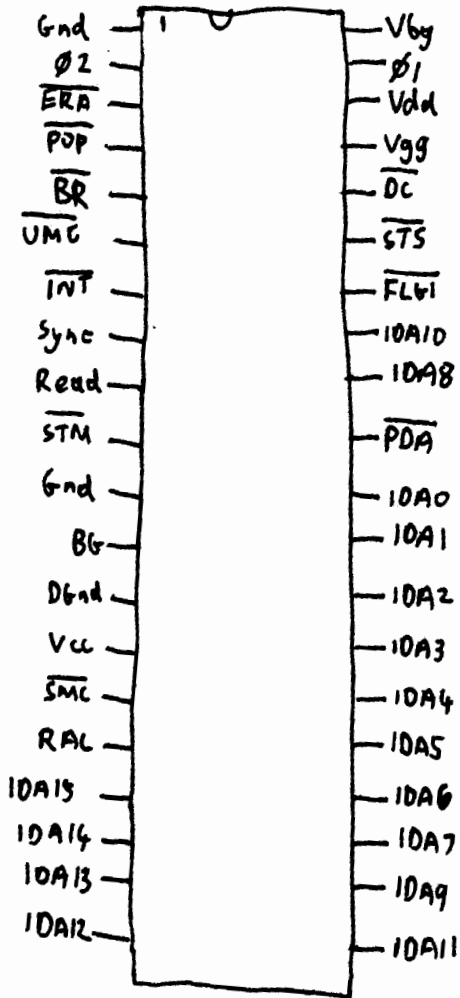


HP 7245A Printer/Plotter

MP7245A

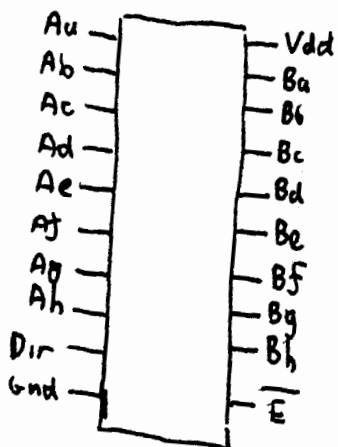
Processor

1818-2500



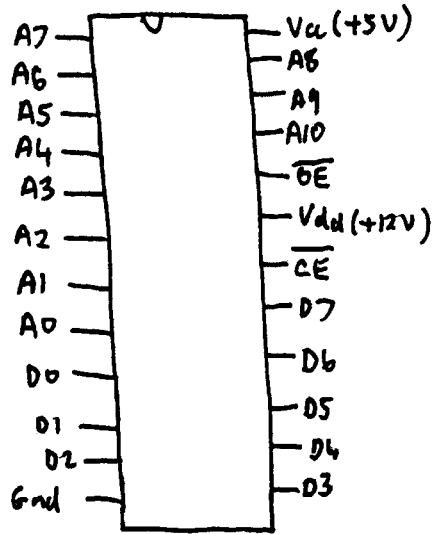
1820-1584

Octal Inverting Bus Transceiver

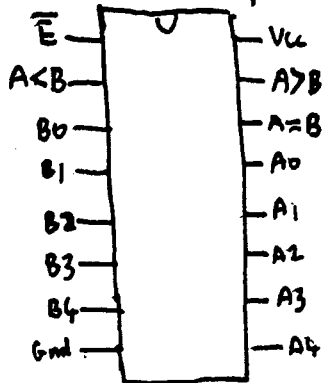


Dir	\bar{E}	
x	H	High Z A, B
H	L	B → A
L	H	A → B

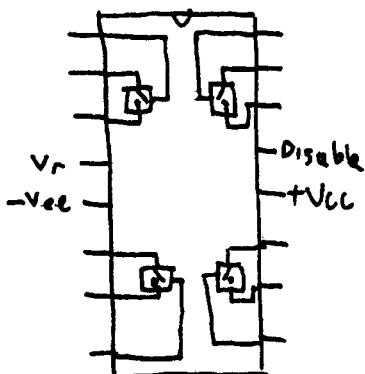
9216
2K x 8 ROM



93L24
5 bit Comparator



LF13331
Quad Analogue Switch (N.O.)



HP7245A Backplane

ROM
LHS ↑

Gnd — C —> Gnd
 +26V — C —> -26V
 +12V — C —> -12V
 +5V — C —> +5V
 +5V — C —> +5V
 N/C C —> N/C
 Gnd — C —> Gnd
 Gnd — C —> Gnd
 STM — C —> Gnd
 (ExSmc) N/C C —> Gnd
 N/C C —> PS5tb
 Wr — C —> N/C
 I/OEn — C —> N/C (RdMem)
 N/C C —> N/C
 RstSw — C —> N/C
 SMC — C —> POR
 N/C C —> PUP
 AD8 — C —> AD7
 AD9 — C —> AD6
 AD10 — C —> AD5
 AD11 — C —> AD4
 AD12 — C —> AD3
 AD13 — C —> AD2
 AD14 — C —> AD1
 AD15 — C —> AD0

I/O (31)

07245-60117

N/C C —> N/C
 N/C C —> N/C
 +12V — C —> -12V (N/C)
 +5V — C —> +5V
 +5V — C —> +5V
 N/C C —> +7V
 Gnd — C —> Gnd
 Gnd — C —> Gnd
 STM — C —> Gnd
 ExSmc — C —> Gnd
 (VME)N/C C —> Gnd
 N/C C —> Gnd
 (I/OEn) N/C C —> RdMem
 N/C C —> N/C
 N/C C —> N/C
 SMC — C —> N/C
 N/C C —> N/C (PUP)
 AD8 — C —> AD7
 AD9 — C —> AD6
 AD10 — C —> AD5
 AD11 — C —> AD4
 AD12 — C —> AD3
 AD13 — C —> AD2
 AD14 — C —> AD1
 AD15 — C —> AD0

ROM/RAM (J2)

07245-60122

HP7245A Backplane



<u>Inq</u> — C	→ Motor Clk
<u>Wr Motor</u> — C	→ N/C
+12V — C	→ -12V
+5V — C	→ +5V
+5V — C	→ +5V
N/C — C	→ +7V
Gnd — C	→ Gnd
Gnd — C	→ Gnd
Gnd — C	→ Gnd
STM — C	→ Gnd
Ex SMC — C	→ Gnd
UMC — C	→ Gnd
Wr — C	→ Gnd
<u>I/O En</u> — C	→ Rd Mem
<u>Rd HP1B1</u> — C	→ Rd HP1B0
<u>Rst Sw</u> — C	→ Wr HP1B0
SMC — C	→ POR
<u>Wr HP1B1</u> — C	→ PUP
A08 — C	→ A07
A09 — C	→ A06
A010 — C	→ A05
A011 — C	→ A04
A012 — C	→ A03
A013 — C	→ A02
A014 — C	→ A01
A015 — C	→ A00

<u>Inq</u> — C	→ Motor Clk
<u>Wr Motor</u> — C	→ N/C
+12V — C	→ -12V
+5V — C	→ +5V
+5V — C	→ +5V
N/C — C	→ PS566
Gnd — C	→ Gnd
Gnd — C	→ Gnd
+26V — C	→ -26V
Pgnd — C	→ PGnd
XφA — C	→ XφA Ret
XφADrv — C	→ XφBDrv
XφB Ret — C	→ XφB
YφADrv — C	→ YφA Ret
YφA — C	→ YφB
YφB Ret — C	→ YφBDrv
N/C — C	→ PUP
(A08) N/C — C	→ N/C (A07)
(A09) N/C — C	→ N/C (A06)
(A010) N/C — C	→ N/C (A05)
(A011) N/C — C	→ N/C (A04)
A012 — C	→ A03
A013 — C	→ A02
A014 — C	→ A01
A015 — C	→ A00

Processo- (33)
07245-60118

Motor Control (J4)
07245-60120

HP 7245A Backplane

RHS
 ↑
 ↳ Top

+5V	-C	↳	Gnd
+5V	-C	↳	Gnd
N/C	-C	↳	N/C
N/C	-C	↳	N/C
N/C	-C	↳	N/C
N/C	-C	↳	N/C
RdHP1B1	-C	↳	RdHP1B0
N/C	-C	↳	WrHP1B0
N/C	-C	↳	N/C
WrHP1B1	-C	↳	PVP
AD8	-C	↳	AD7
AD9	-C	↳	AD6
AD10	-C	↳	AD5
AD11	-C	↳	AD4
AD12	-C	↳	AD3
AD13	-C	↳	AD2
AD14	-C	↳	AD1
AD15	-C	↳	AD0

Gnd	-C	↳	Gnd
+5V	-C	↳	+5V
Gnd	-C	↳	Gnd
N/C	-C	↳	+7V
-12V	-C	↳	+12V
+26V	-C	↳	+26V
-26V	-C	↳	-26V
P6nd	-C	↳	P6nd
P6nd	-C	↳	P6nd
N/C	-C	↳	N/C
POK	-C	↳	N/C
YφB	-C	↳	YφBDv
YφA	-C	↳	YφADv
XφB	-C	↳	XφBDv
XφA	-C	↳	XφADv

PSW (J7)

HP1B(36)
 07245-60115

Rear
 ↑

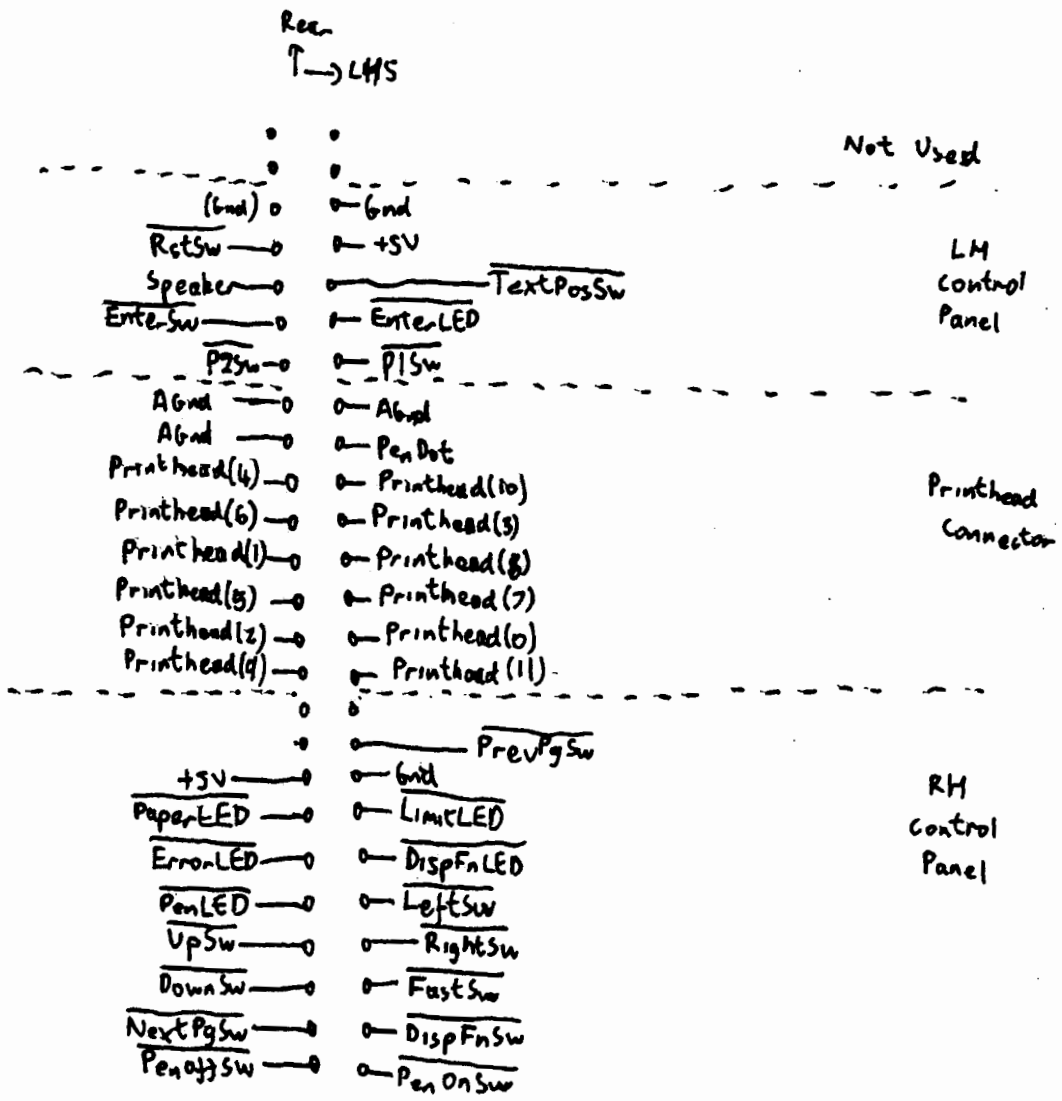
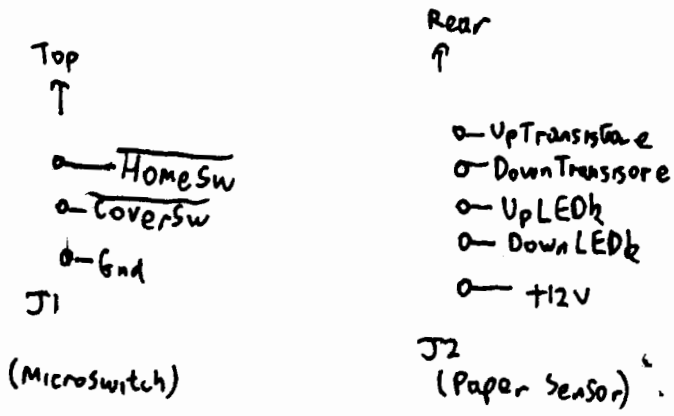
-26V
 ↳ Gnd

Fan (J5)

o-xφARet
 o-xφA
 o-xφB
 o-xφBRet
 X Motor (J9)

o-YφARet
 o-YφA
 o-YφB
 o-YφBRet
 Y Motor (J8)

HP7245A I/O PCB



HP7245A PSU Connectors

LHS
↑

- B+
- N/C
- Bnd
- N/C
- Fan
- N/C
- Fan
- X
- Mains Neutral
- N/C
- Mains Live

J301
(Mains Input → Harness)

Top ↑ J300

- B+
- N/C
- Bnd
- X
- Mains Neutral
- N/C
- Mains Live
- N/C
- BCT

J300, J400
(Mains Input → Mains Rectifier)

Top ↑

- Mains Neutral
- N/C
- Fan Supply
- N/C
- 100V Tap
- N/C
- 120V Tap
- X
- 220V Tap
- N/C
- 240V Tap

J302
(Mains Input → Startup Transformer)

Rear ↑

- N/C
- Bnd
- N/C
- B+

J200
(Chopper Input)

LHS ↑

- Pri B
-
- Bnd (Screen)
-
- Pri A

J202
(Chopper Transformer Primary)

HP7245A PSU Connectory

Rear
↑

- RegB
○ N/C
- RegL
○ N/C
- RegE
○ N/C
- X
- PriA
○ N/C
- DrvA
○ N/C
- DrvB
○ N/C
- PriB
○ N/C
- DrvC
○ N/C
- DrvD
○ N/C
- Bgnd

J201
(Chopper Drive)

Top
↑

- 14VACa
- Gnd
- 14VACb

J504
(Startup Transformer → output PCB)

Top
←

Rear
↑

ChopDrvB — C	→	ChopDrvA
Gnd — C	→	MainsRef
ISenseA — C	→	POR
ISenseB — C	→	+5V
+VPSU — C	→	Gnd
RegDrv — C	→	+12VPSU

J503
(PSU Control → Output PCB)

Rear
↑

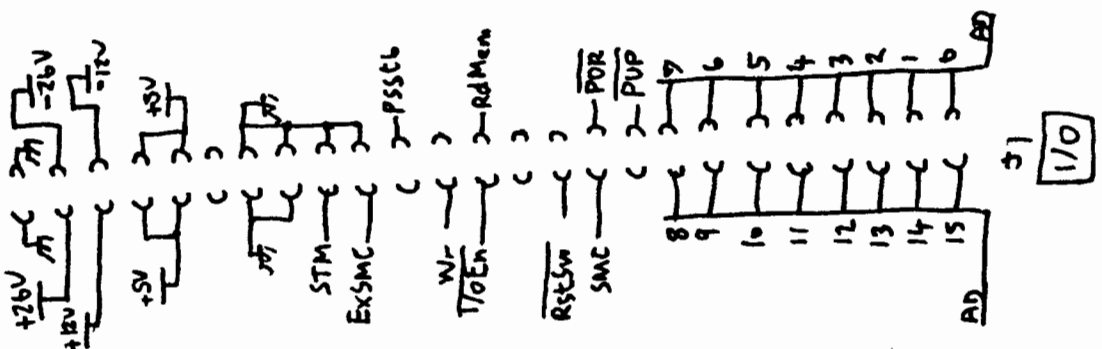
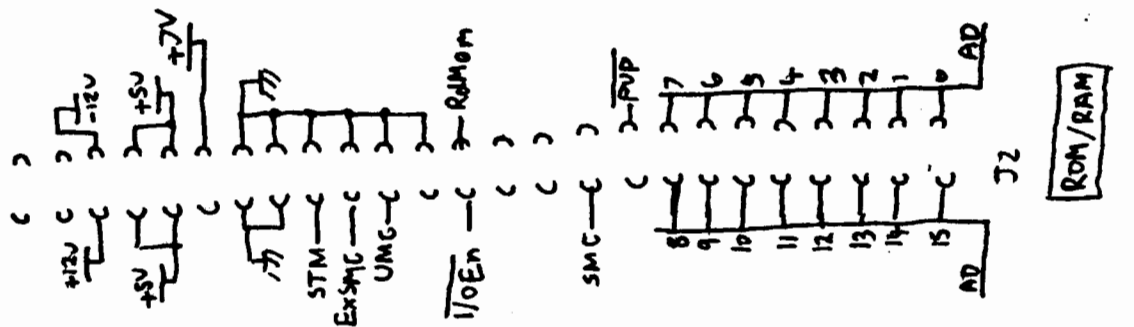
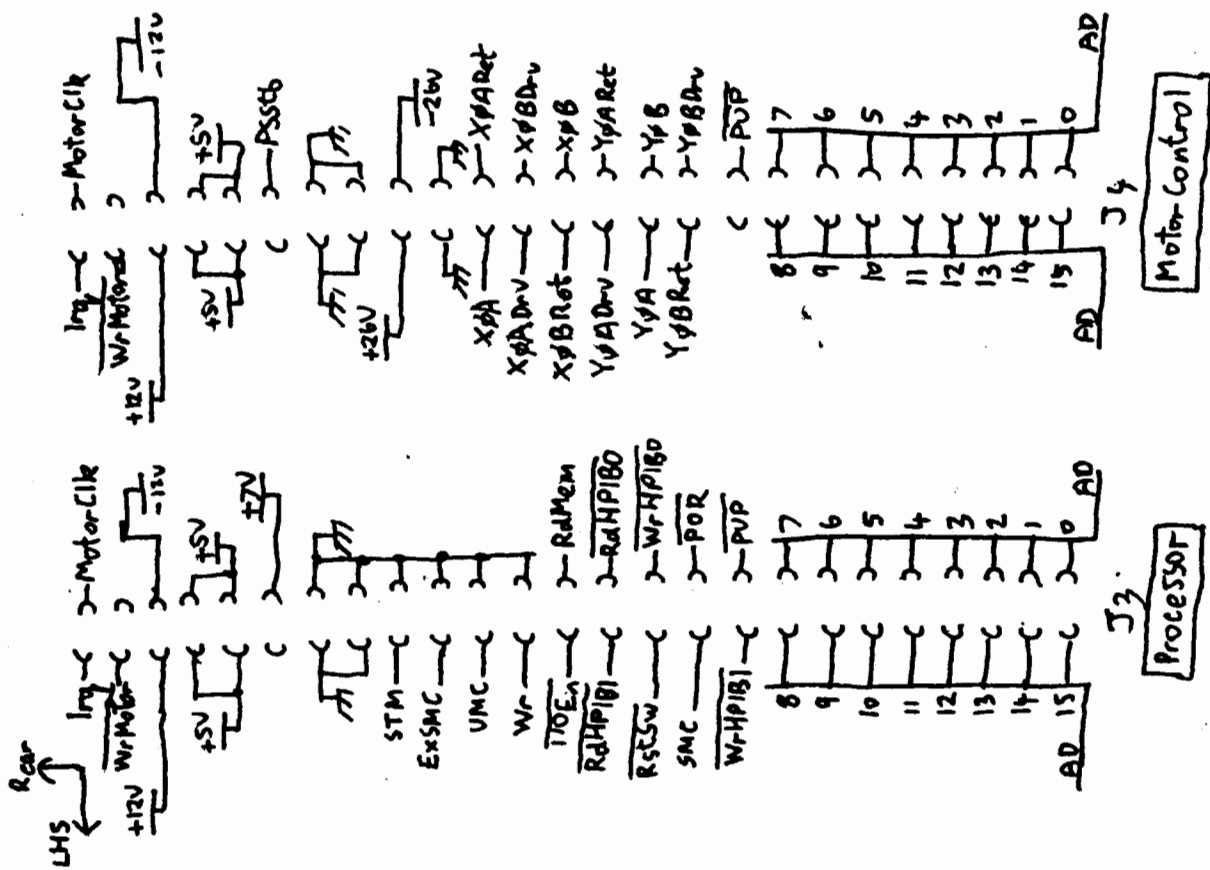
- +12VPSU
- +12V14
- +12V
- StartupIn
- Gnd
- Gnd

J500/P101
(Motor Driver → Output PCB Front)

Rear
↑

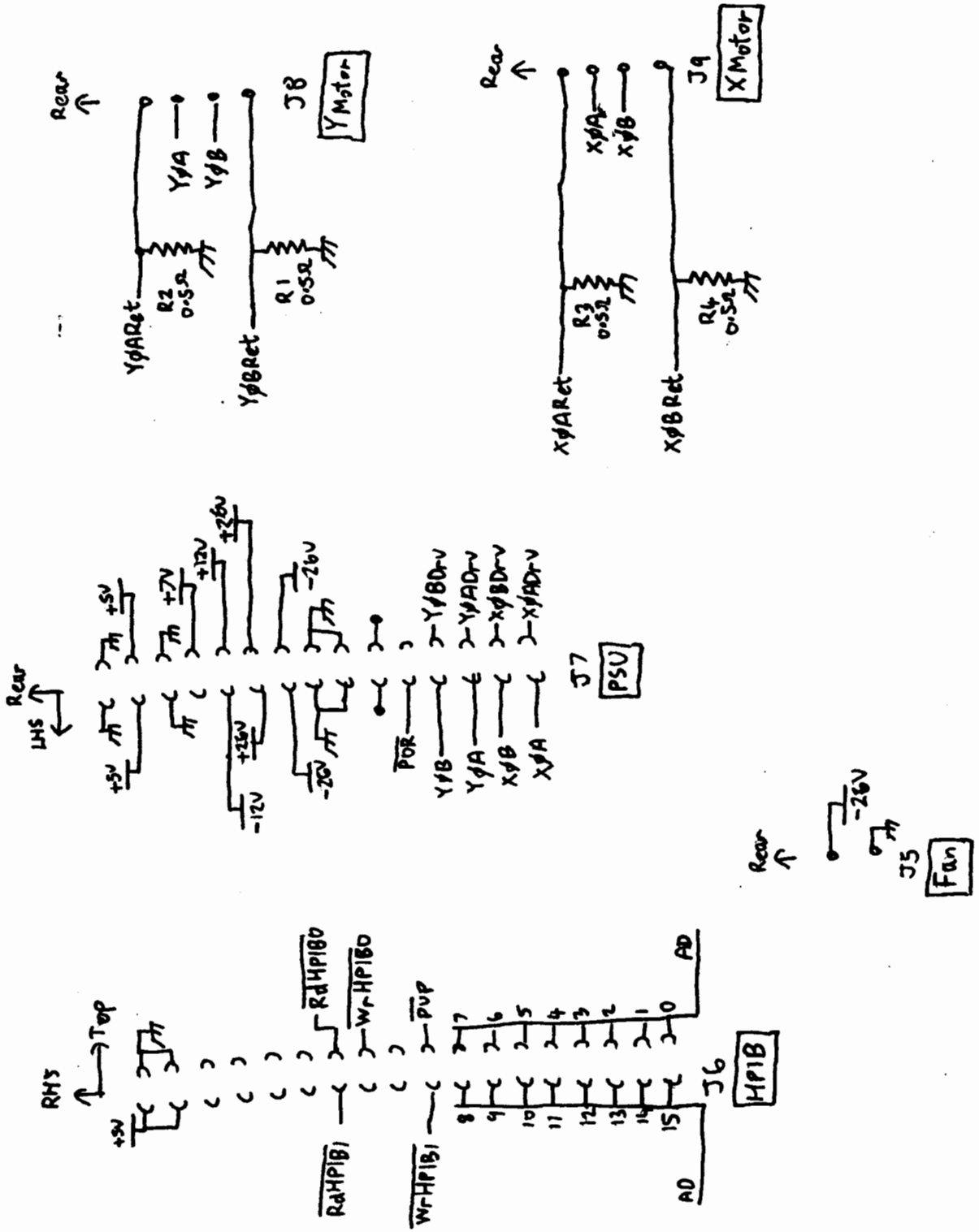
- +26V
- -26V
- XφA
- XφA Drv
- YφB Drv
- YφA Drv
- XφB Drv
- XφB
- YφA
- YφB

J505/P100
(Motor Driver → Output PCB Rear)



Sheet 1 07245-60121

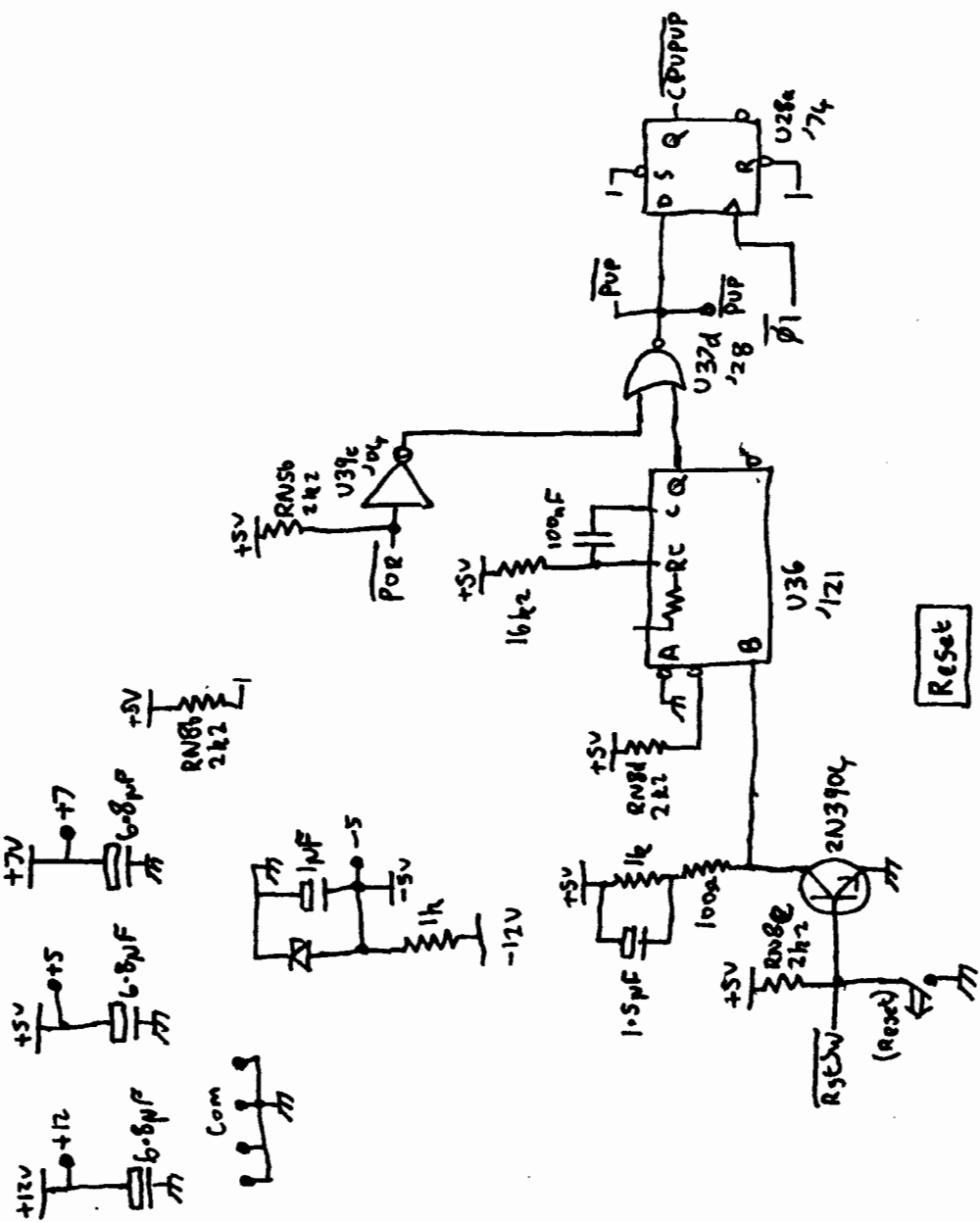
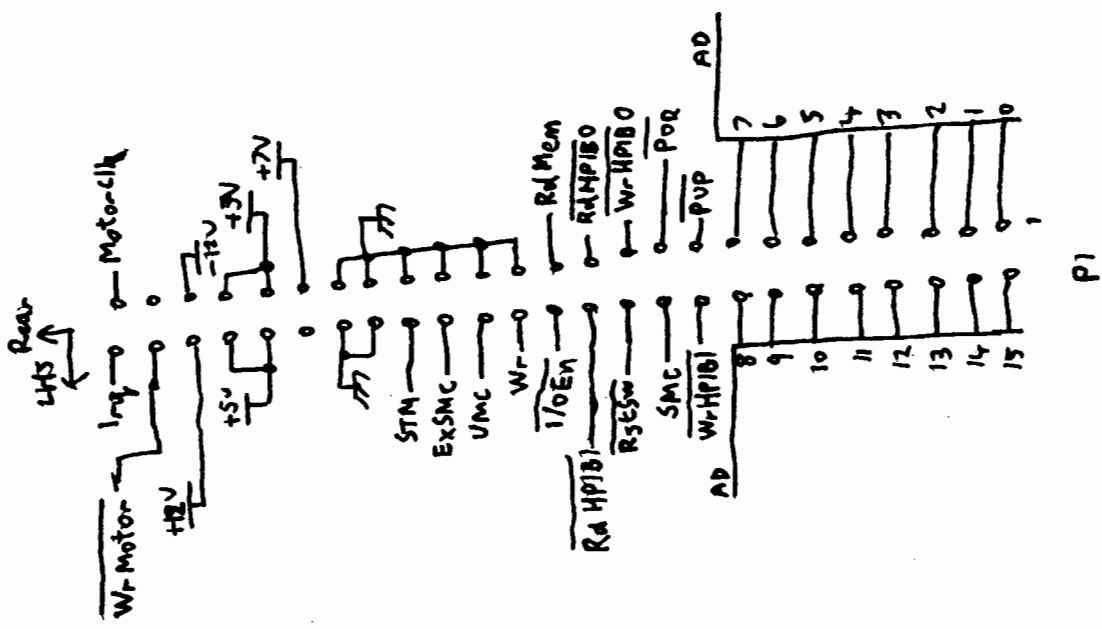
HP 7245A Backplane



07245-60121

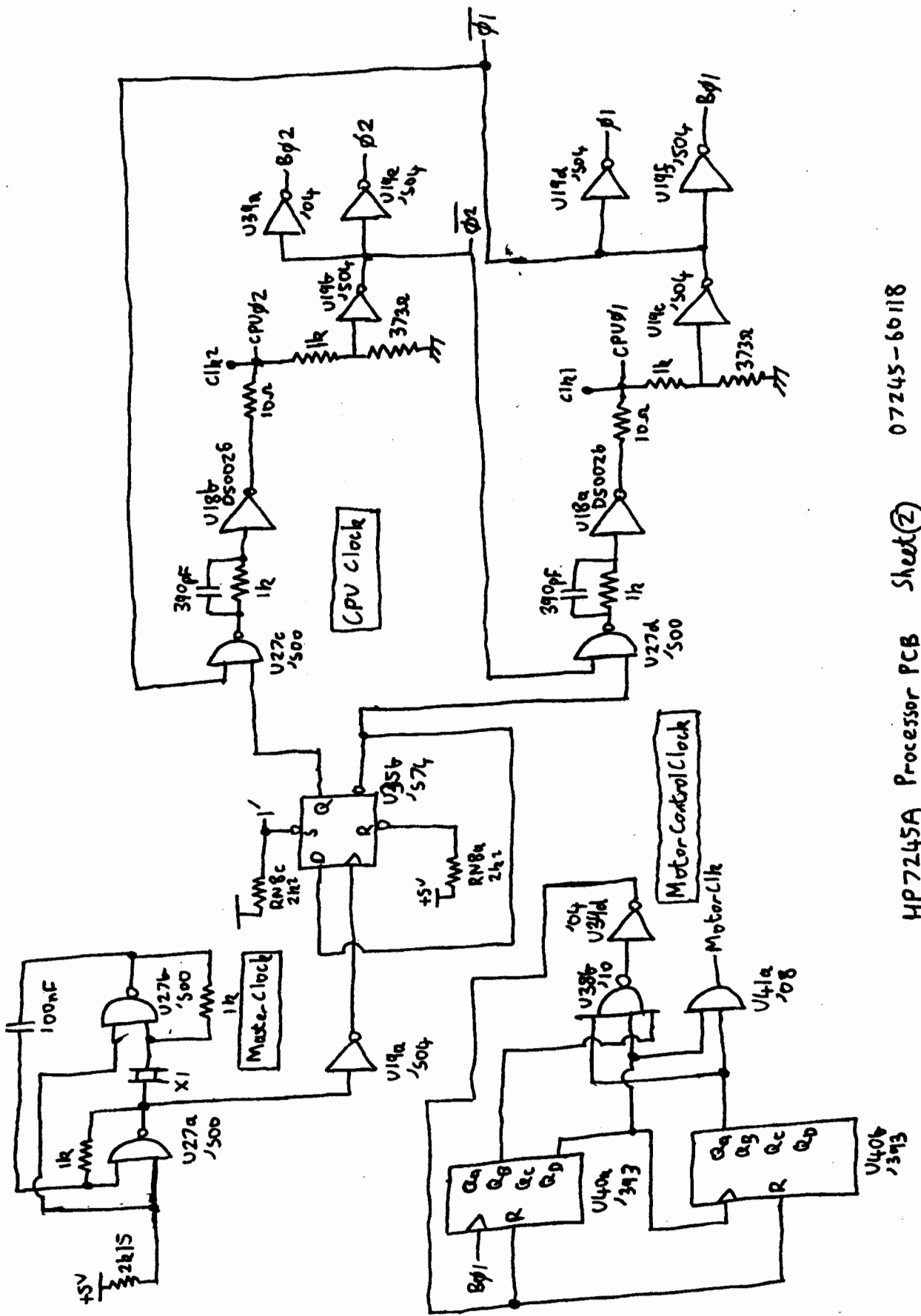
Sheet 2

HP 7245A Backplane

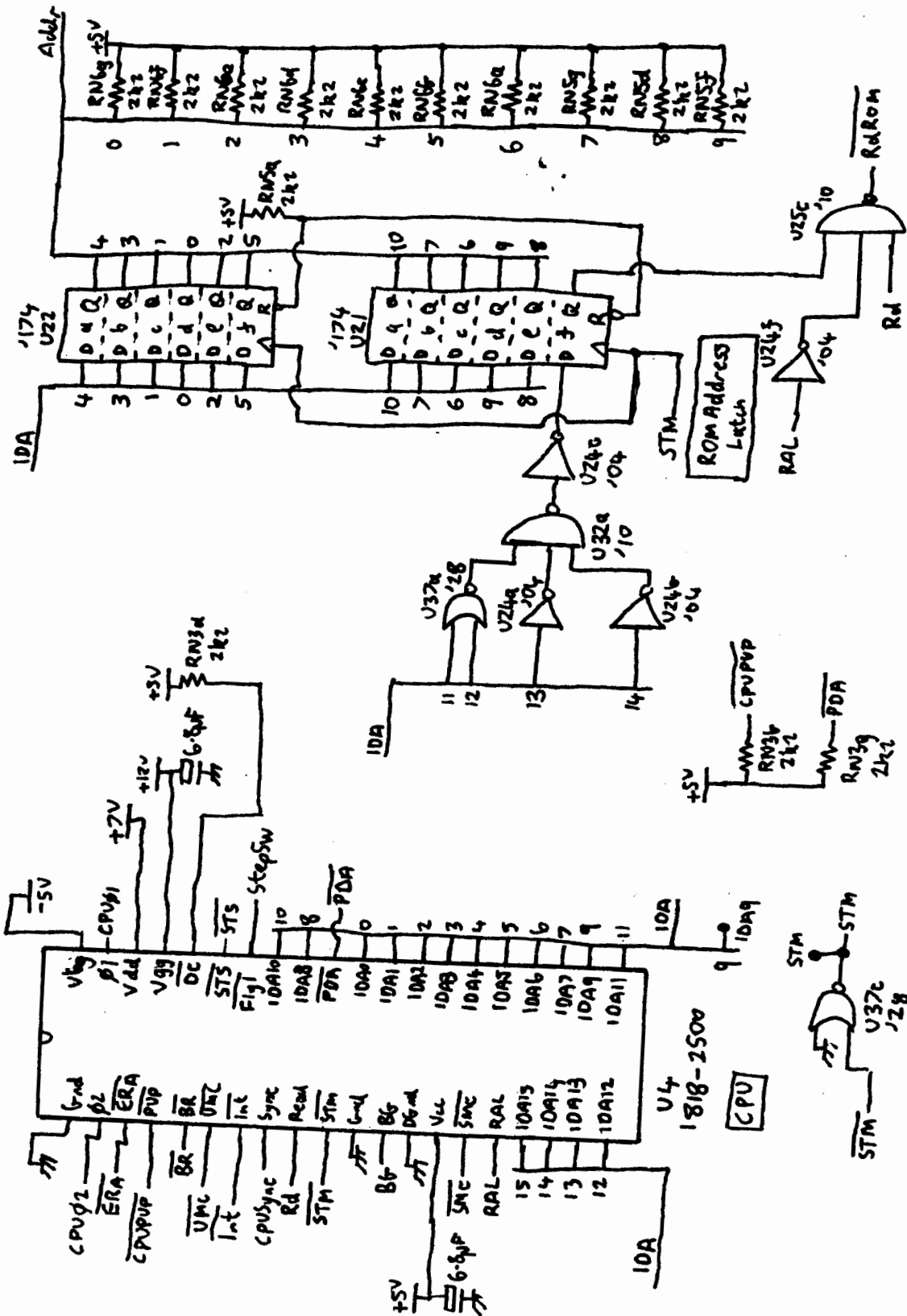


07245-60118

HP7245A Processor PCB Sheet ①

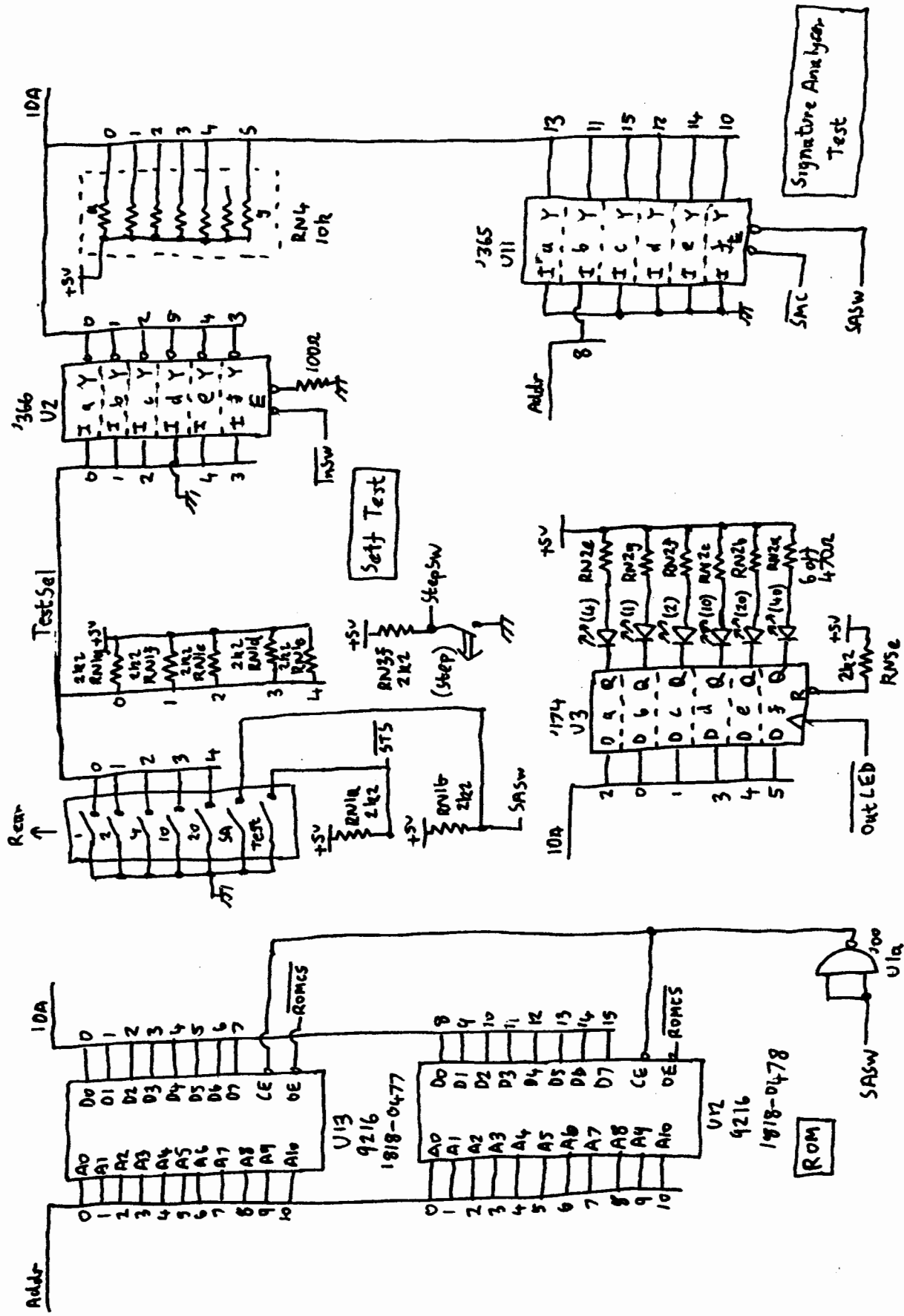


HP7245A Processor PCB Sheet 2 07245-60118

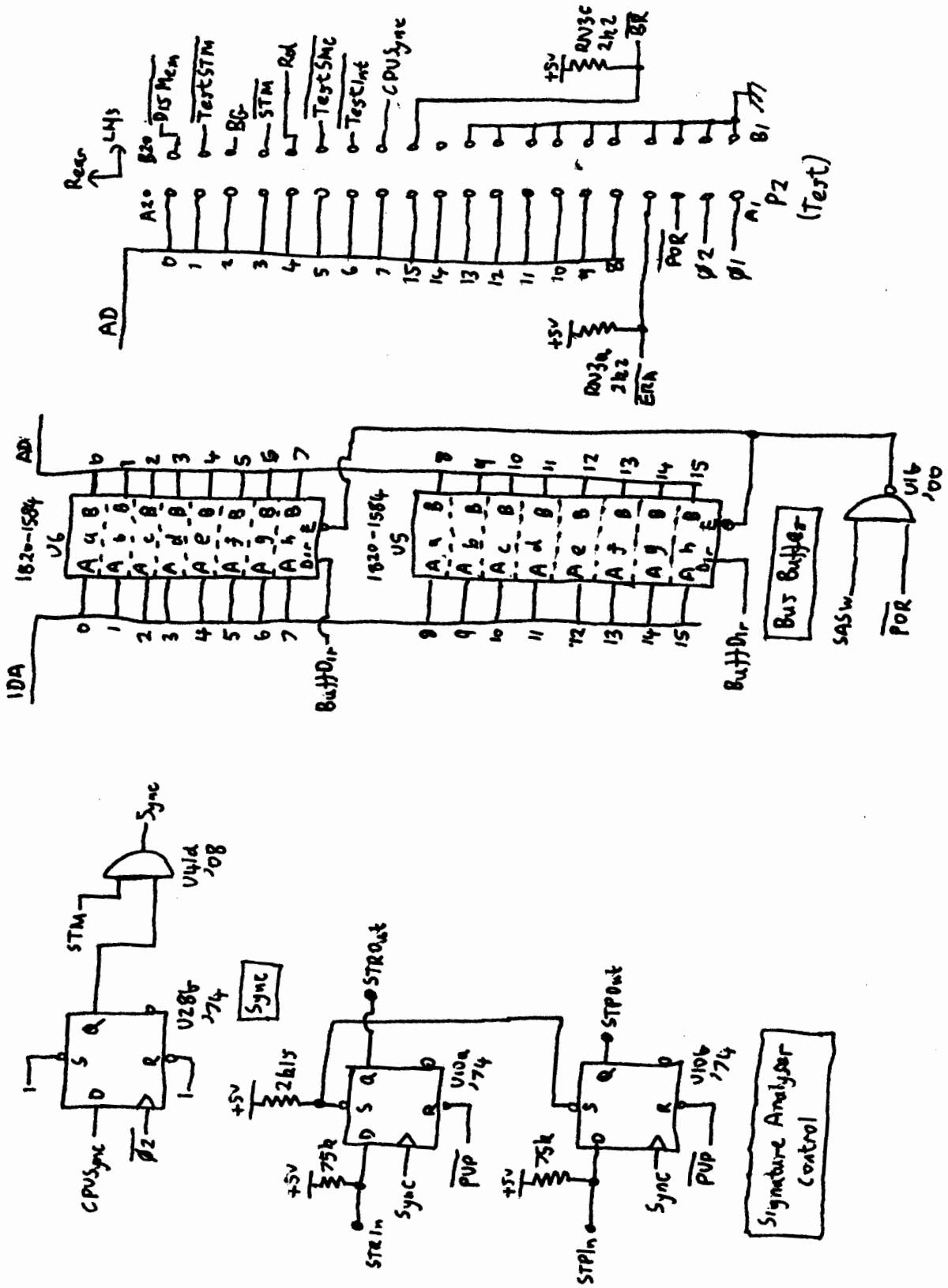


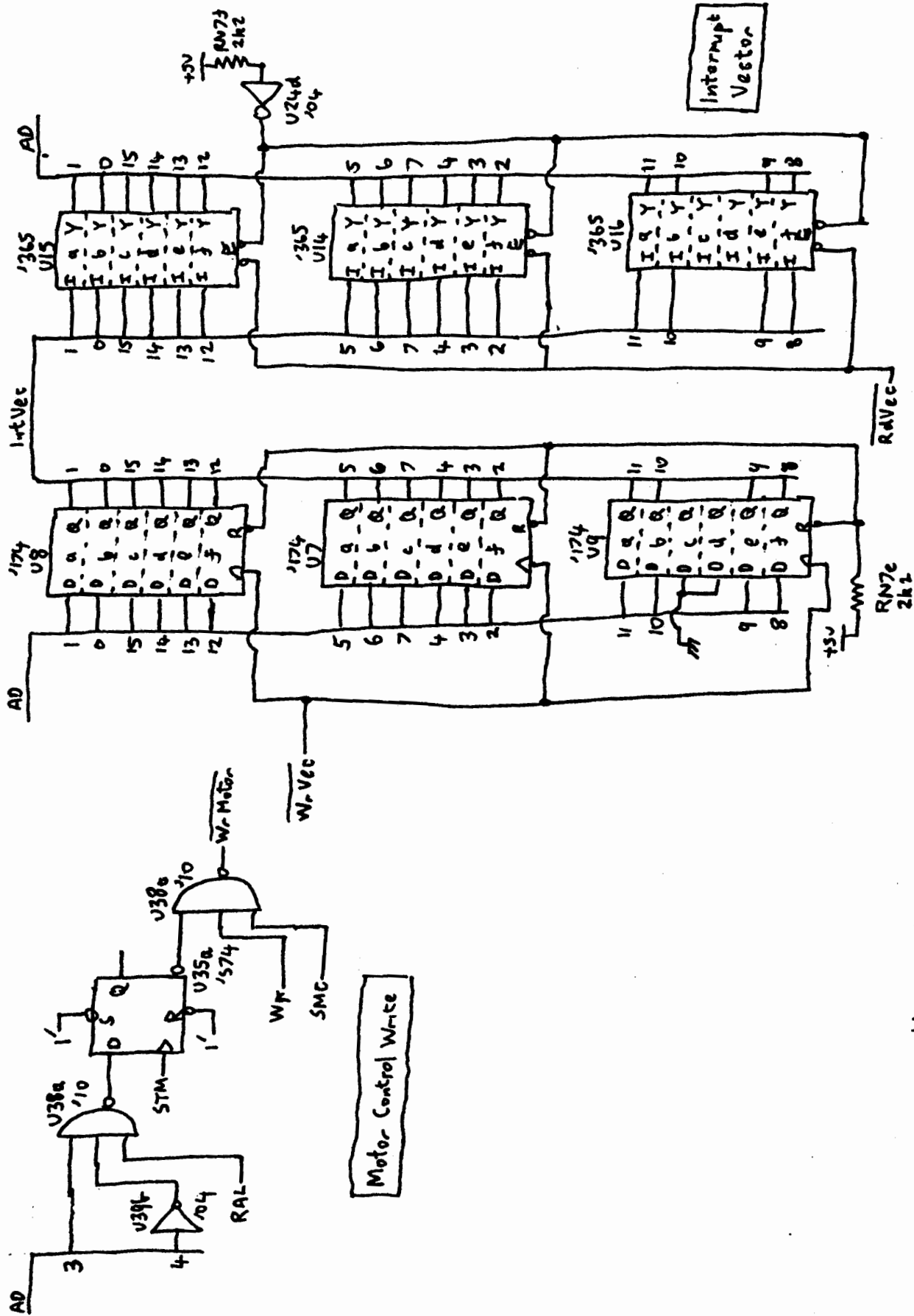
07245-60118

HP7245A Processor PCB Sheet 3

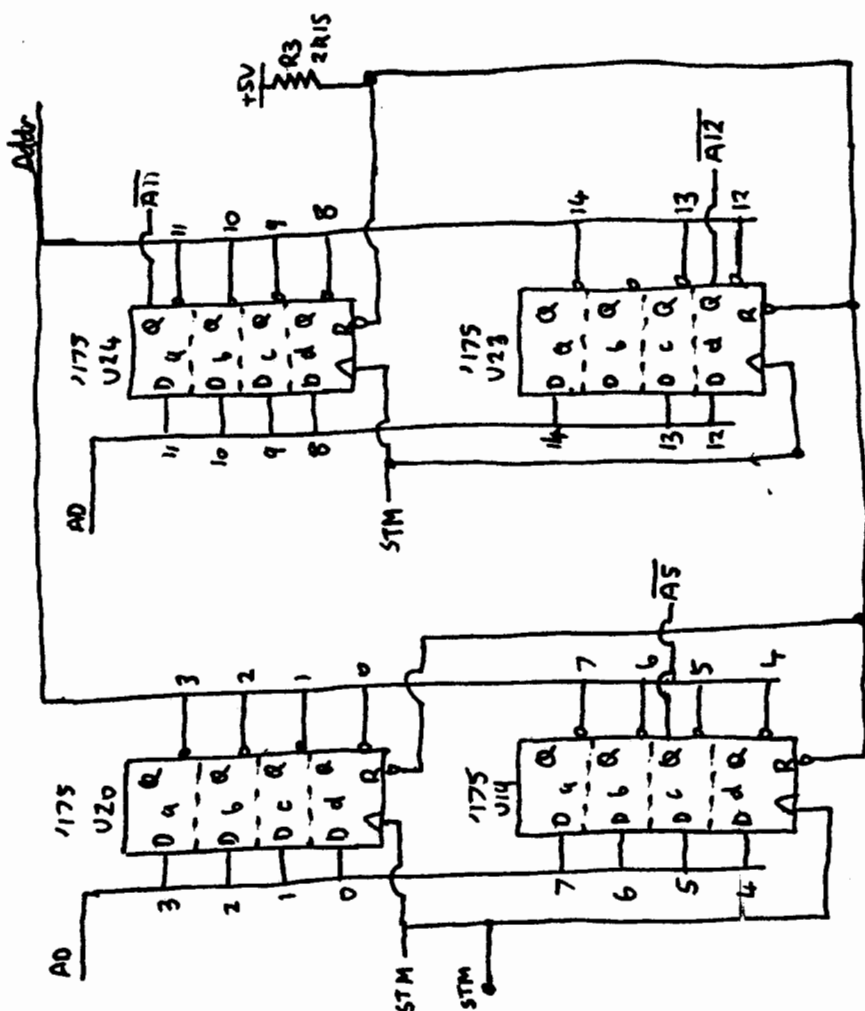


HP7245A Processor PCB Sheet (5) 07245-6018

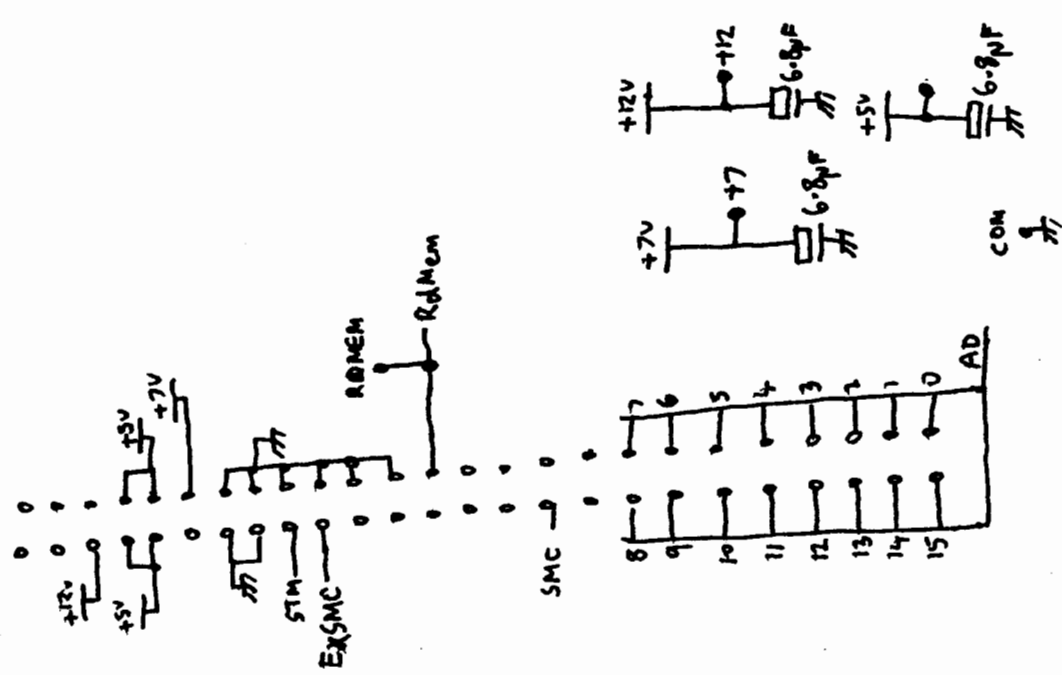


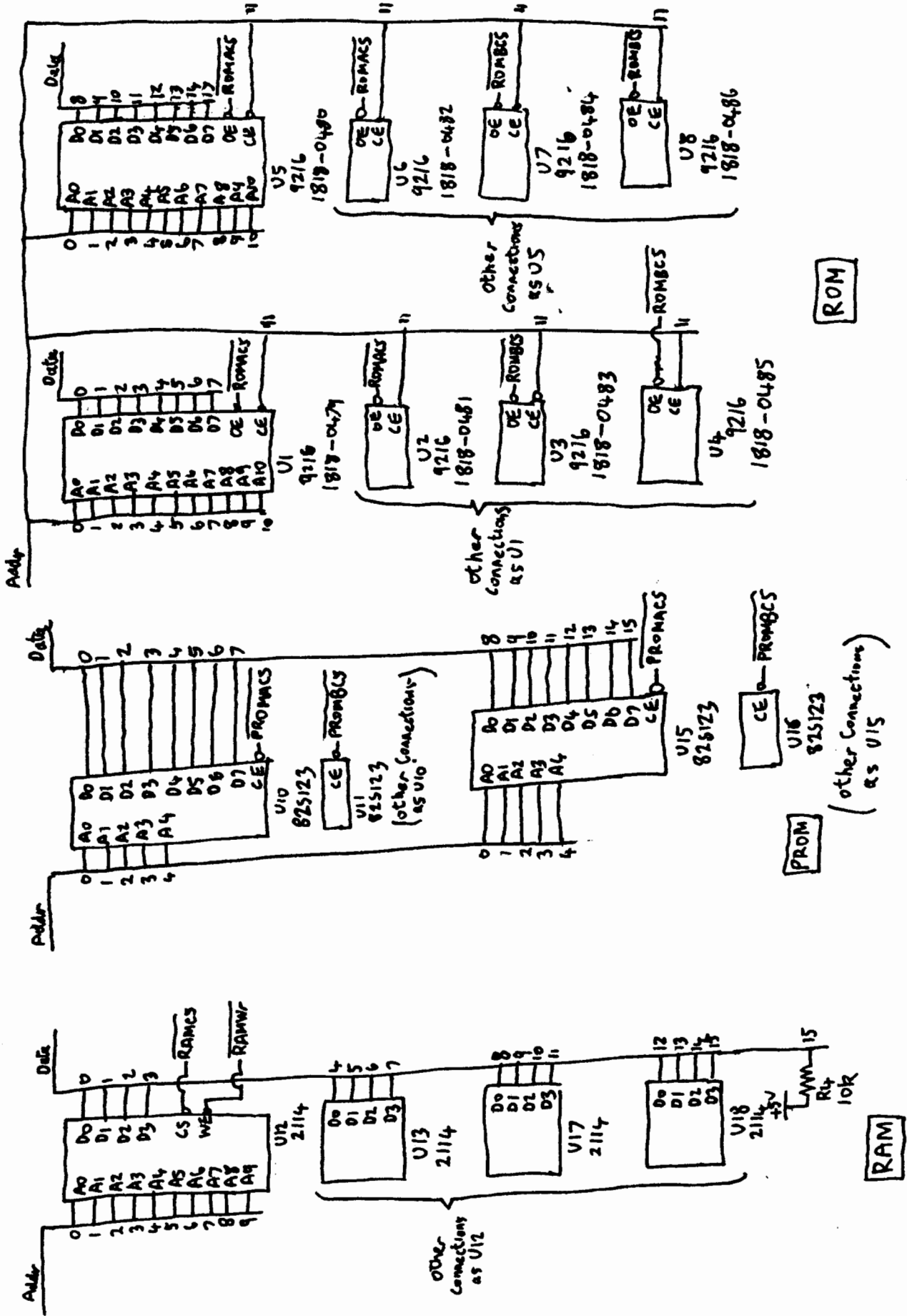


HP 7245A Processor PCB sheet 8 07245-60118



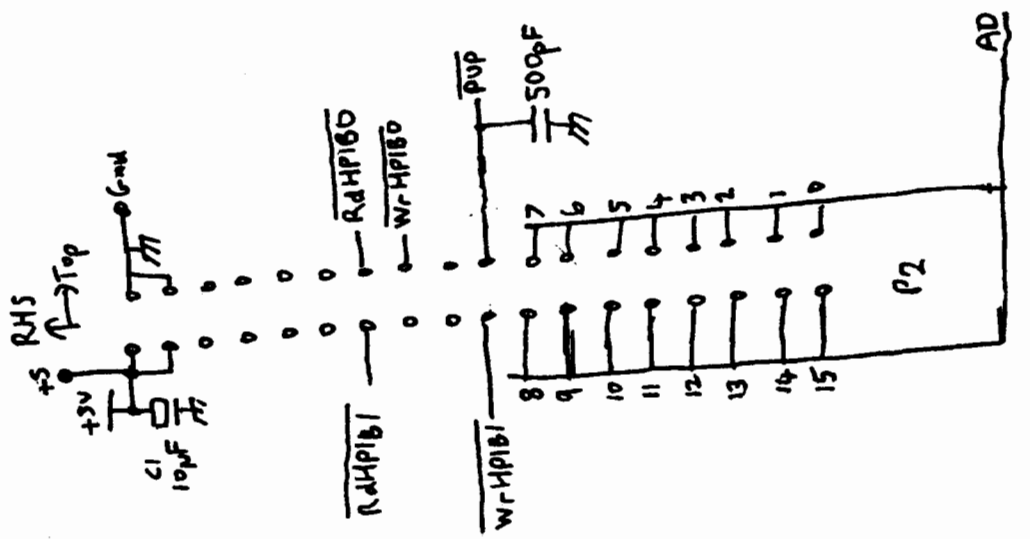
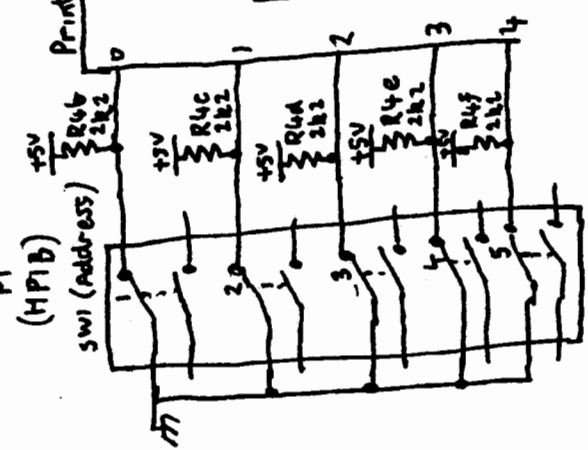
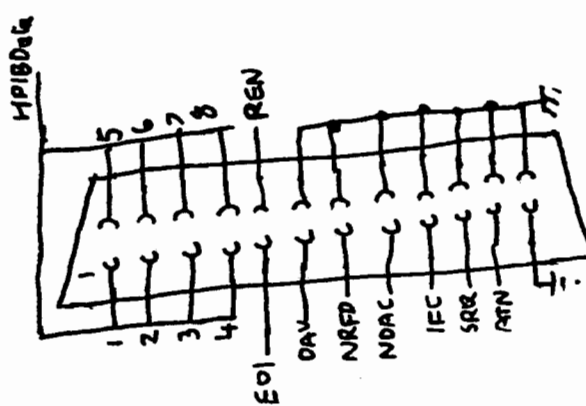
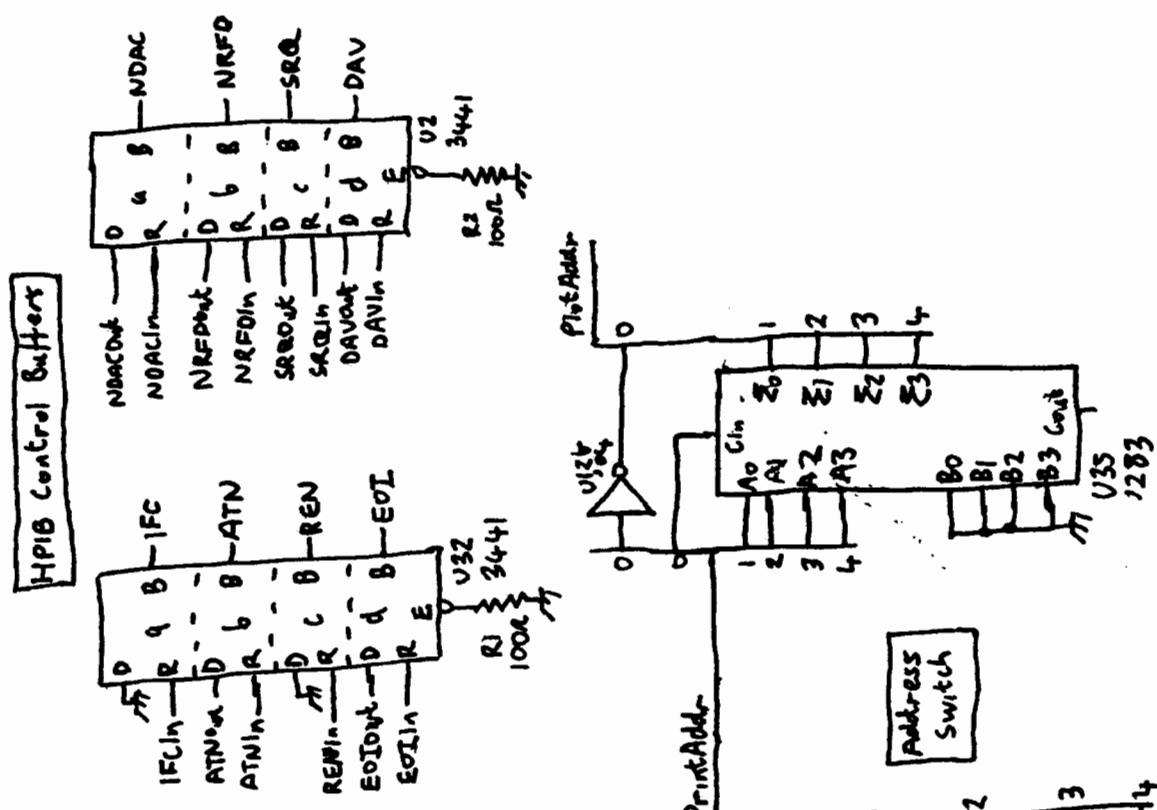
Address Latch



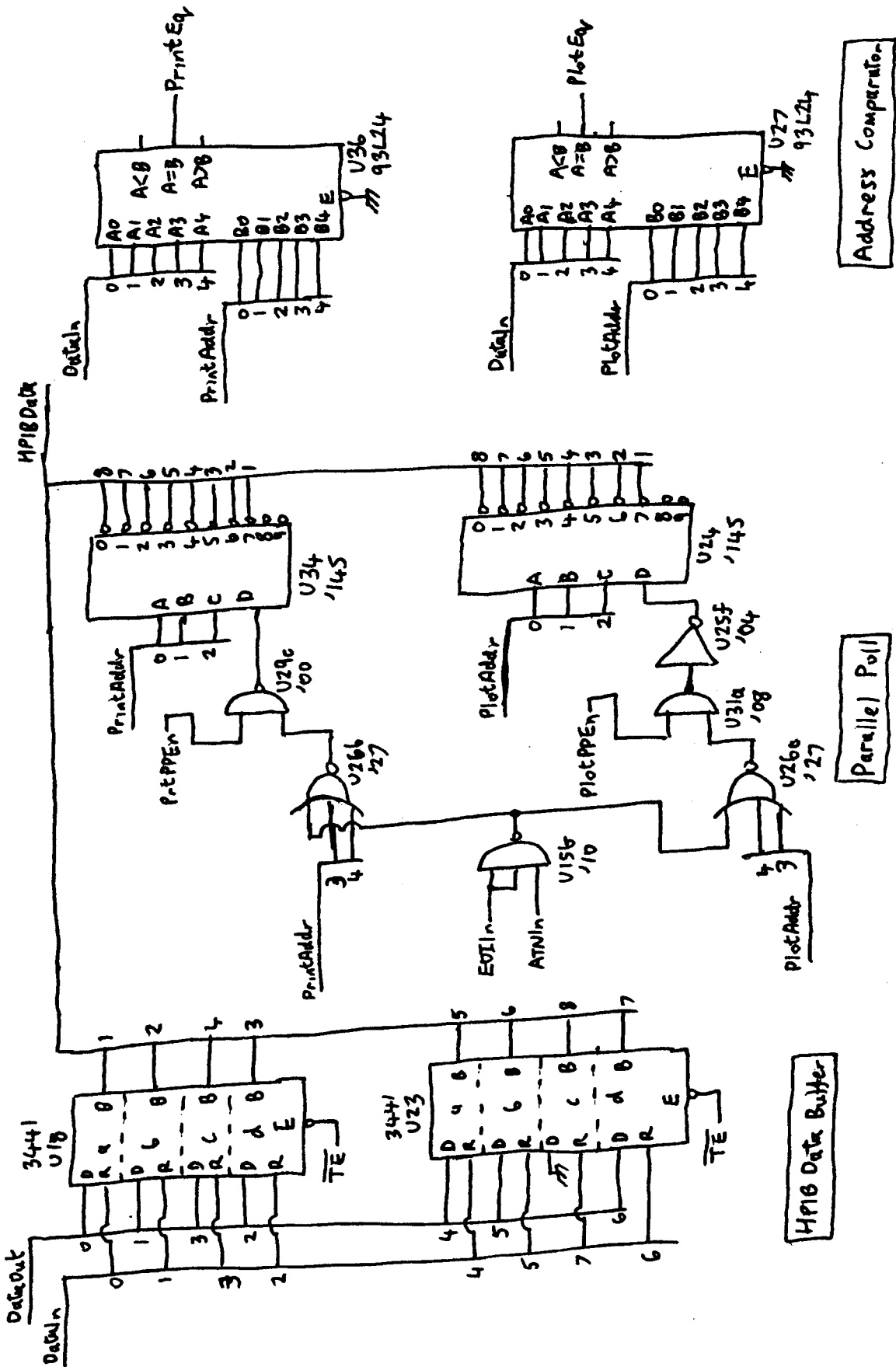


07245-60122

HP7245A ROM/RAM PCB Sheet ③



HP7245A HP1B PCB Sheet ① 07245-6015



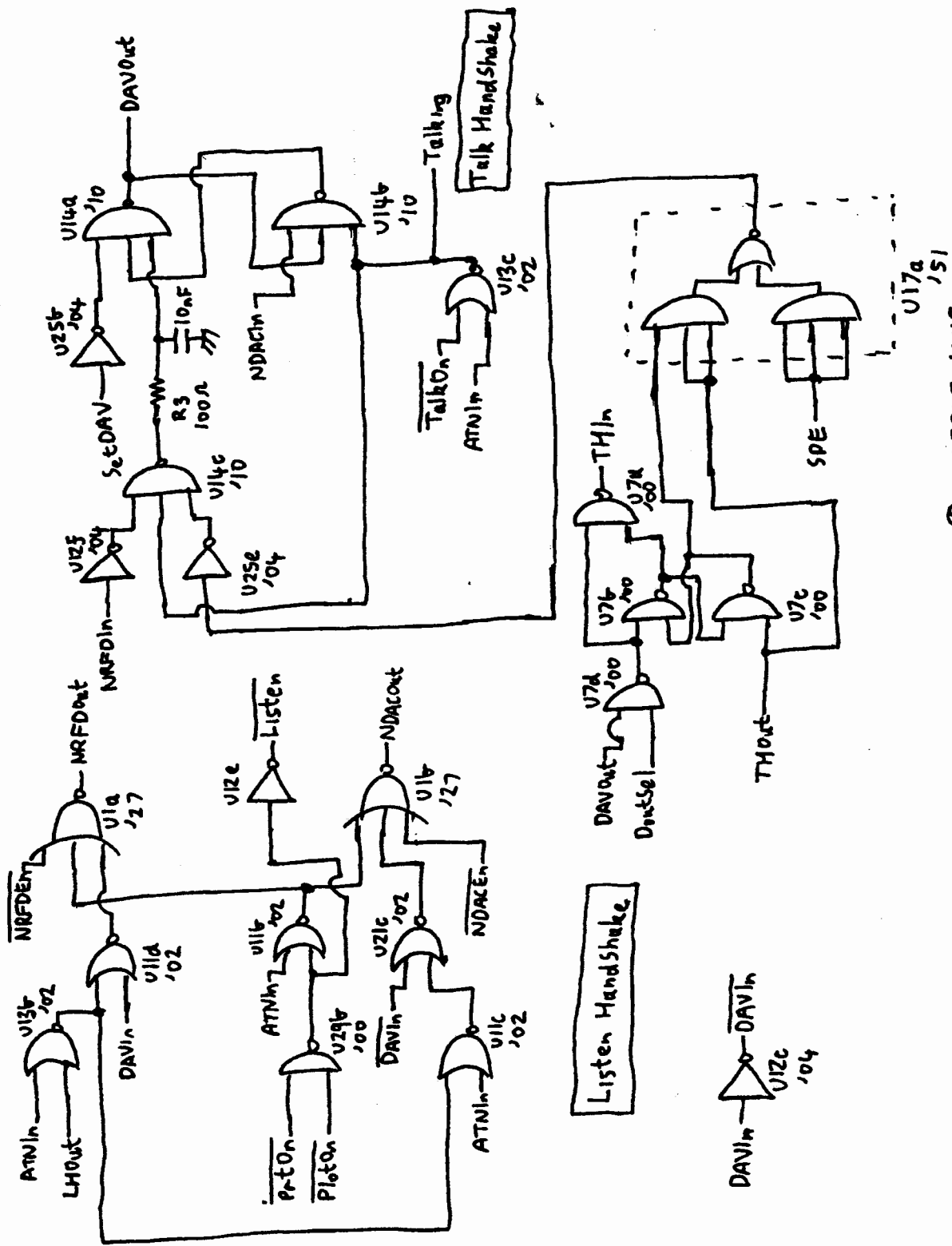
07245-6015

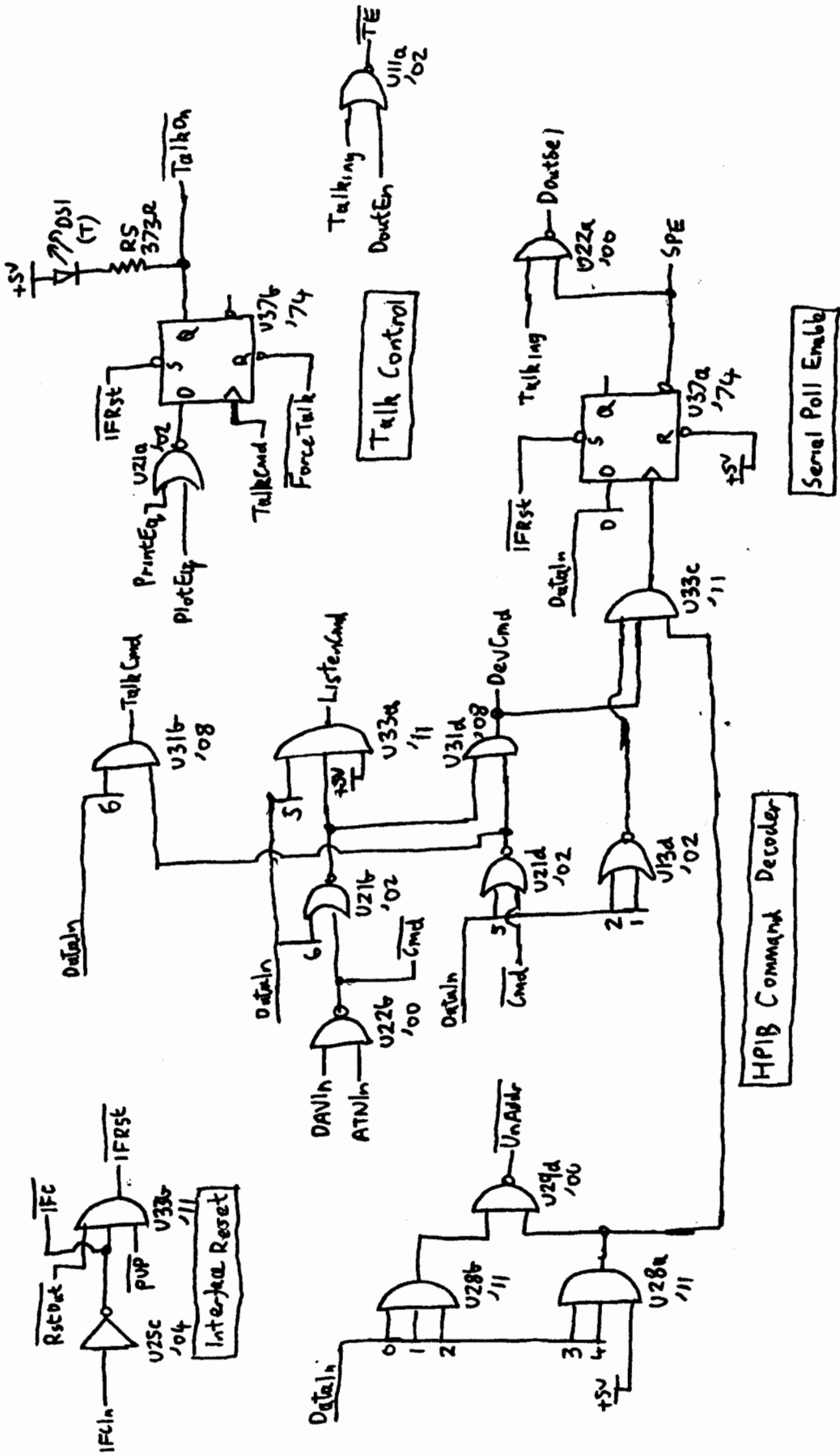
HP7245A HP1B PCB sheet ②

HP1B Data Buffer

Parallel Poll

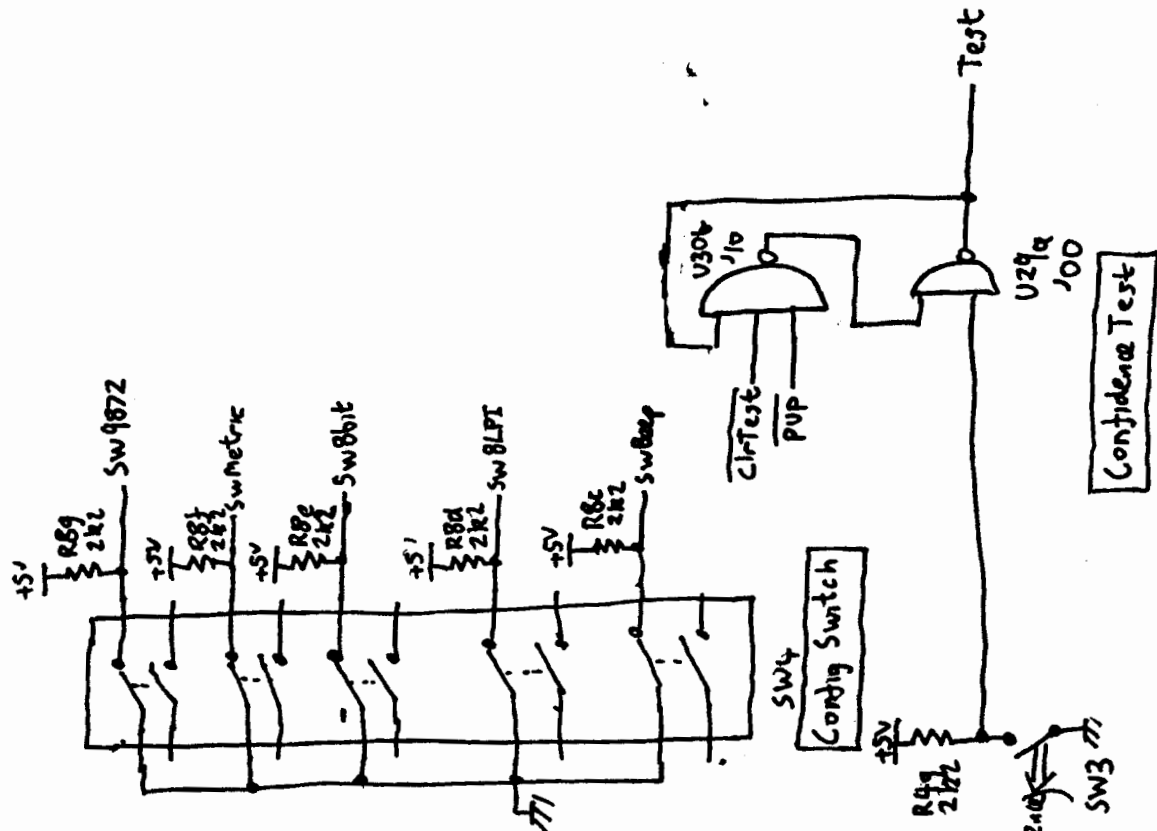
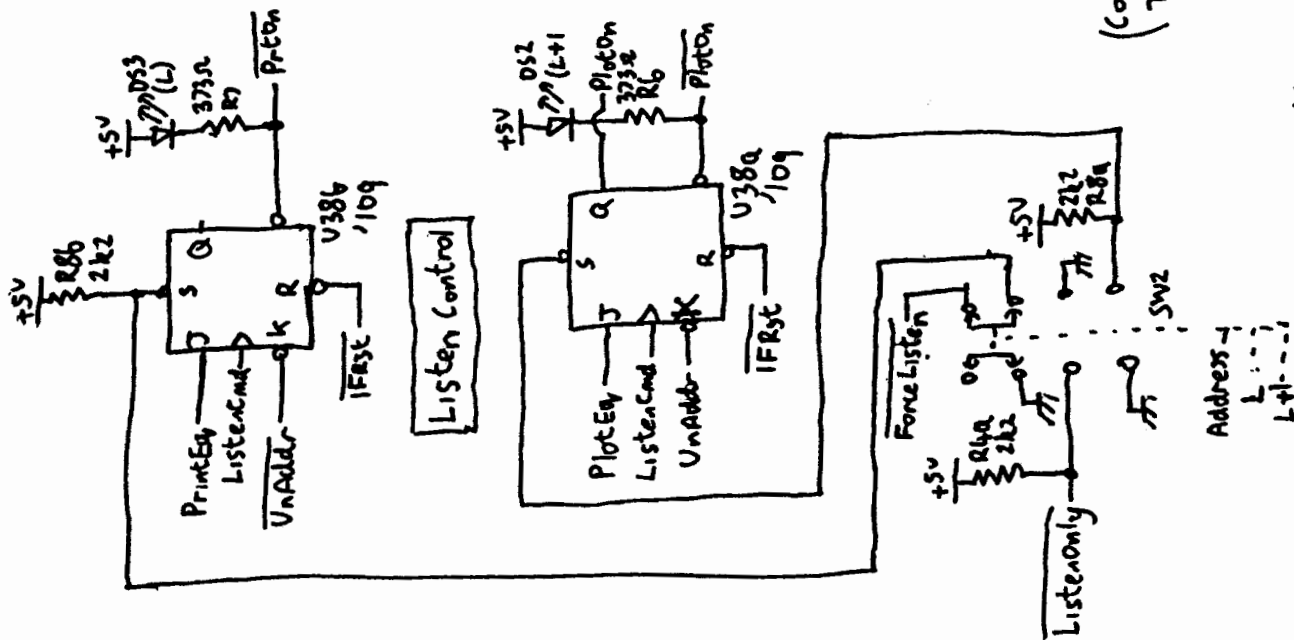
Address Comparator



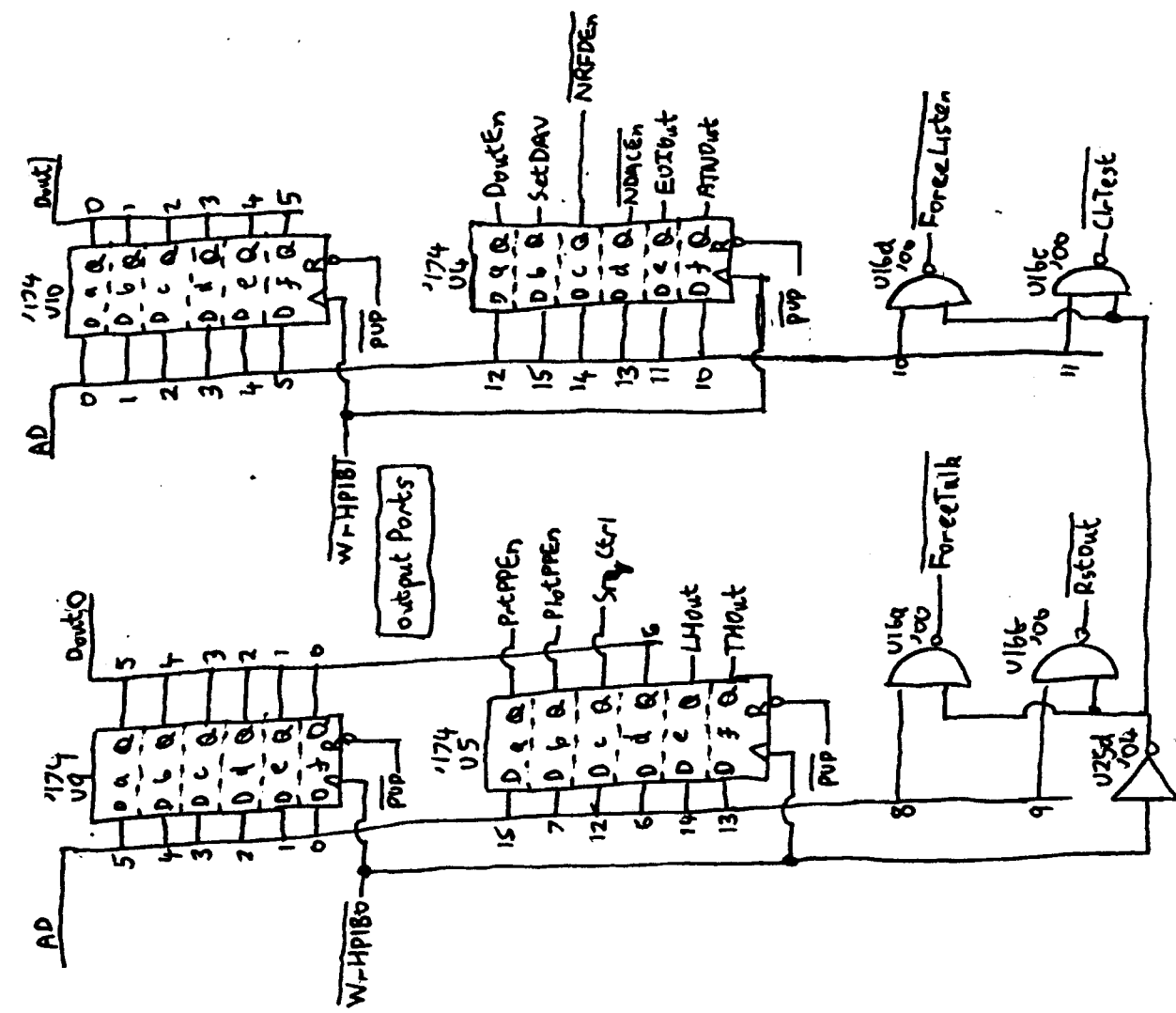
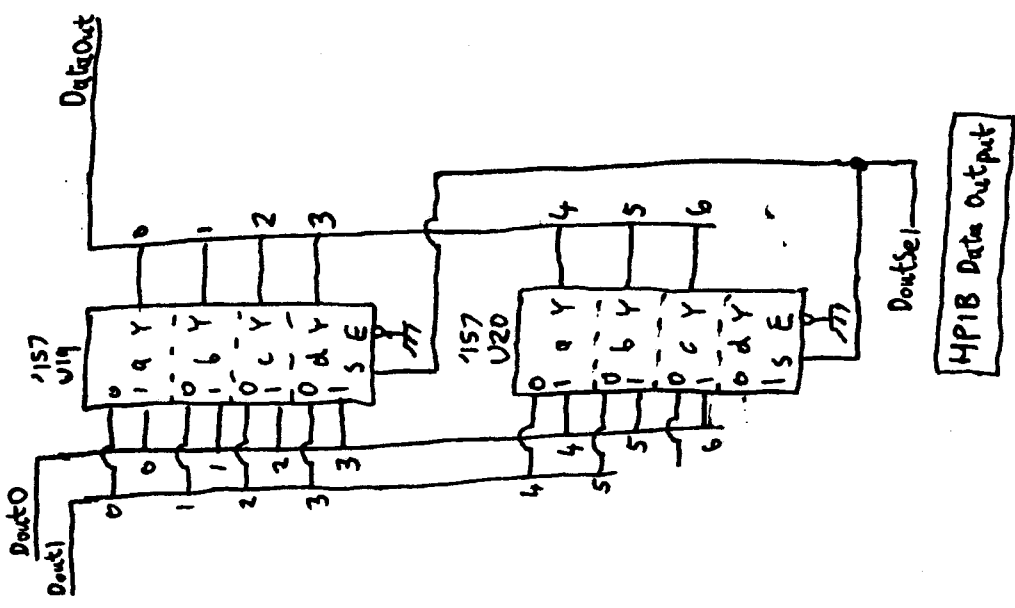


07245-6015

HP7245A HP1B PCB Sheet (4)

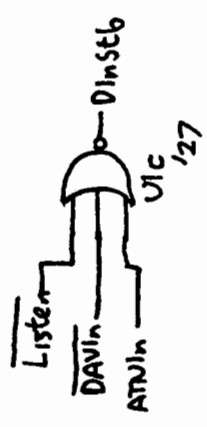
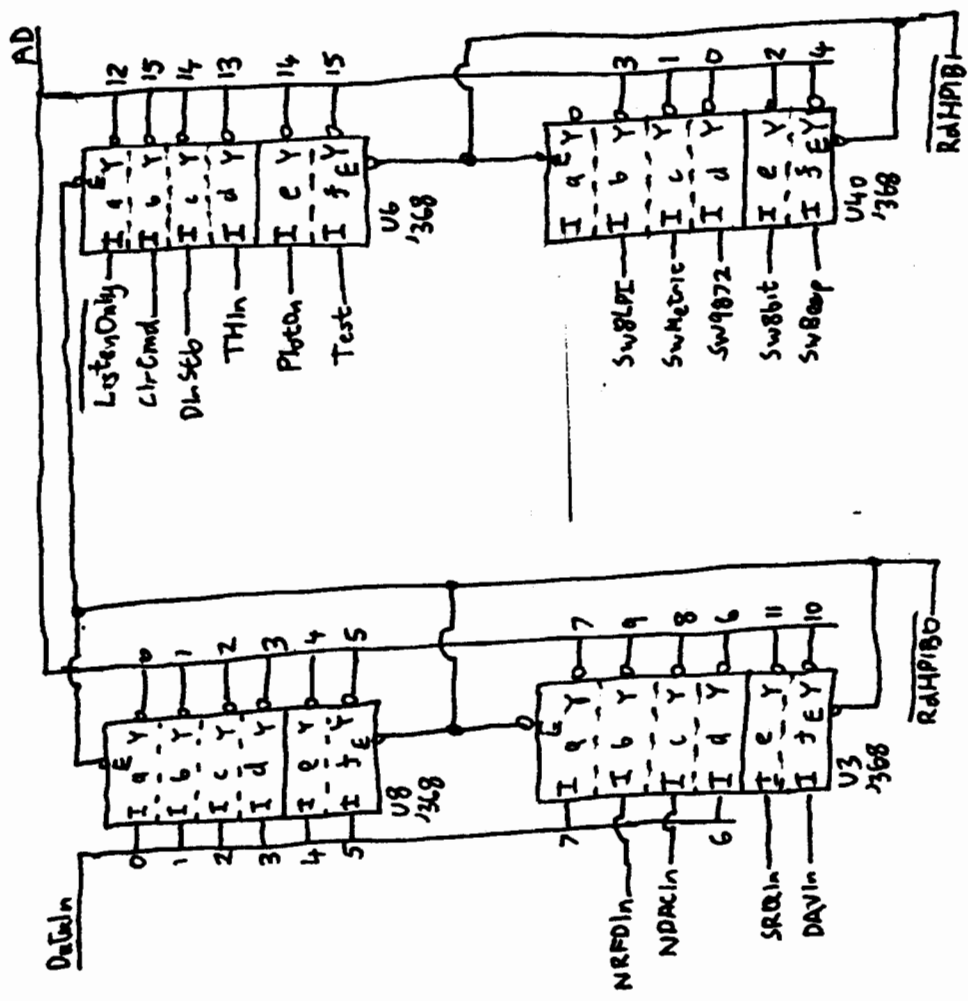


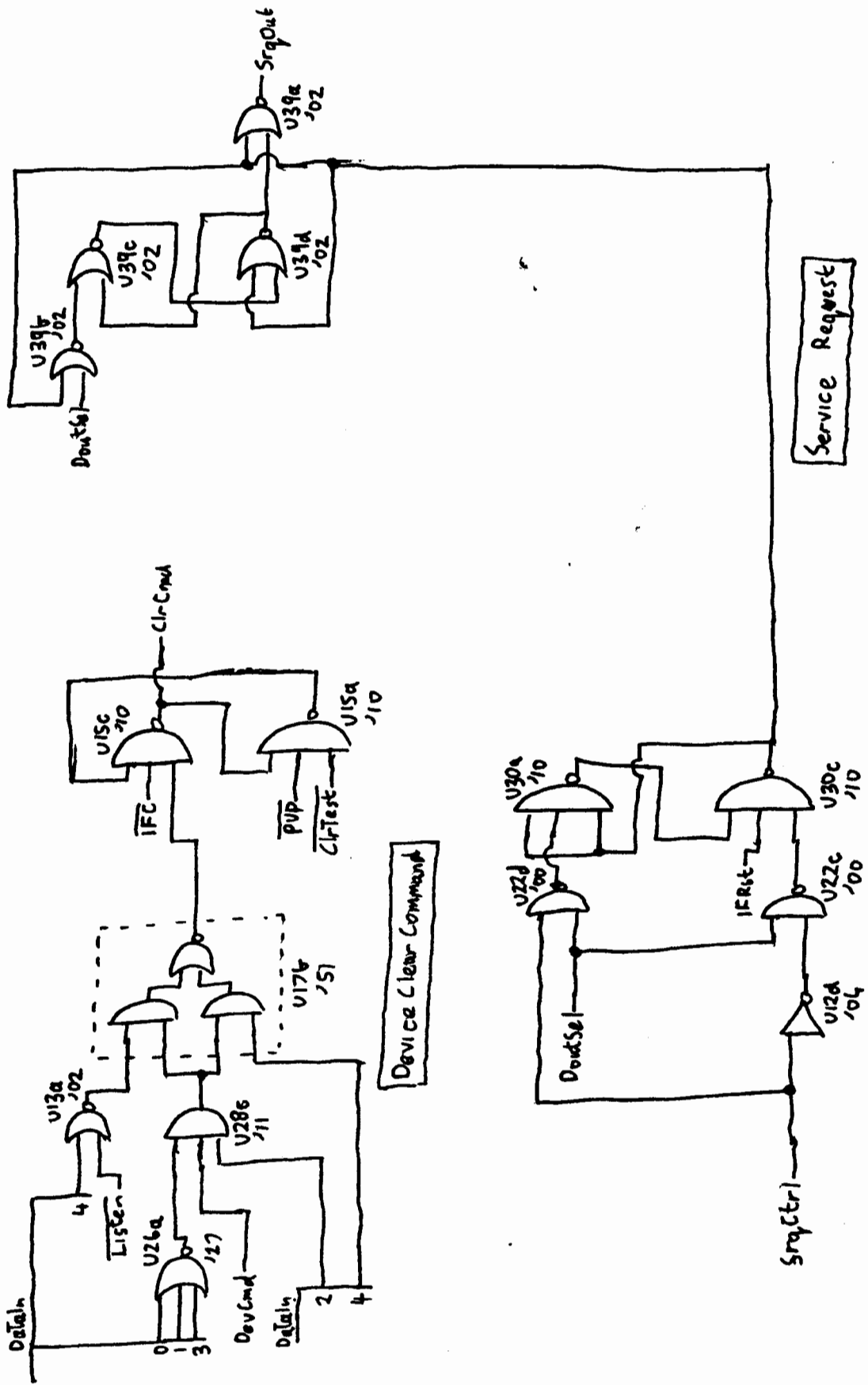
HP7245A HP18 PCB Sheet 5 07245-6015



07245-6015

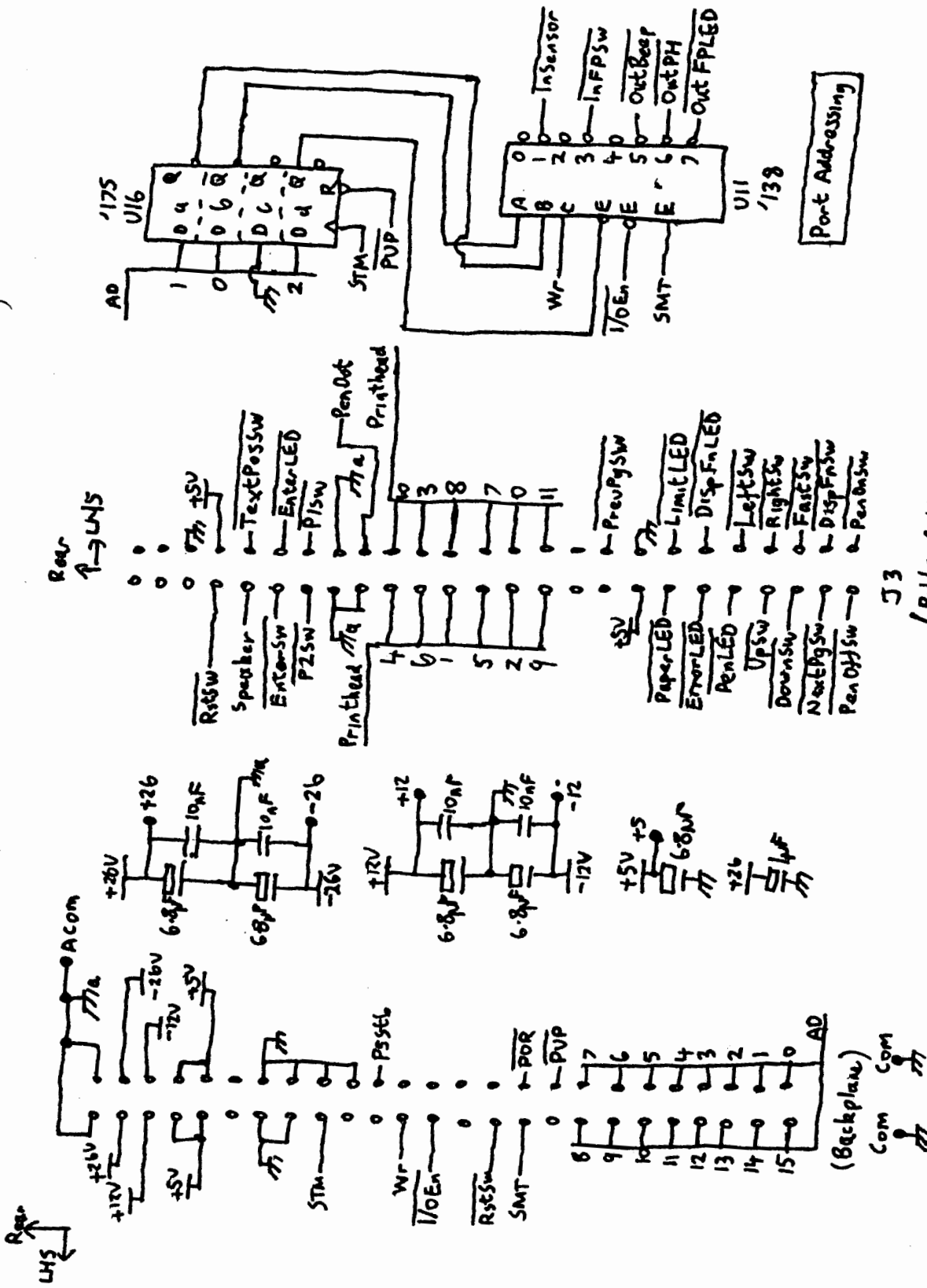
HP7245A HP1B PCB Sheet 6





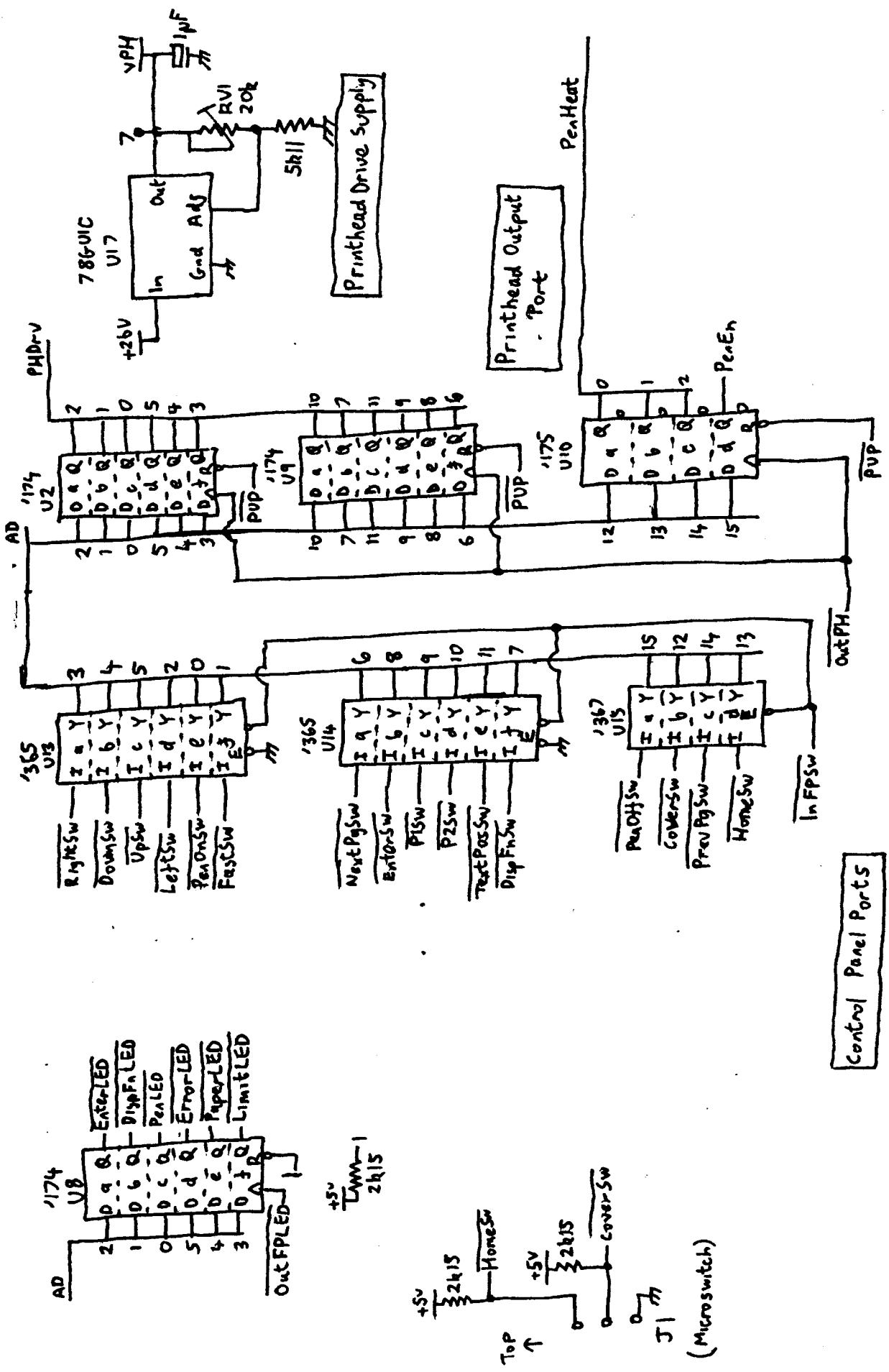
07245-60115

HP 7245 HP1B PCB Sheet 8



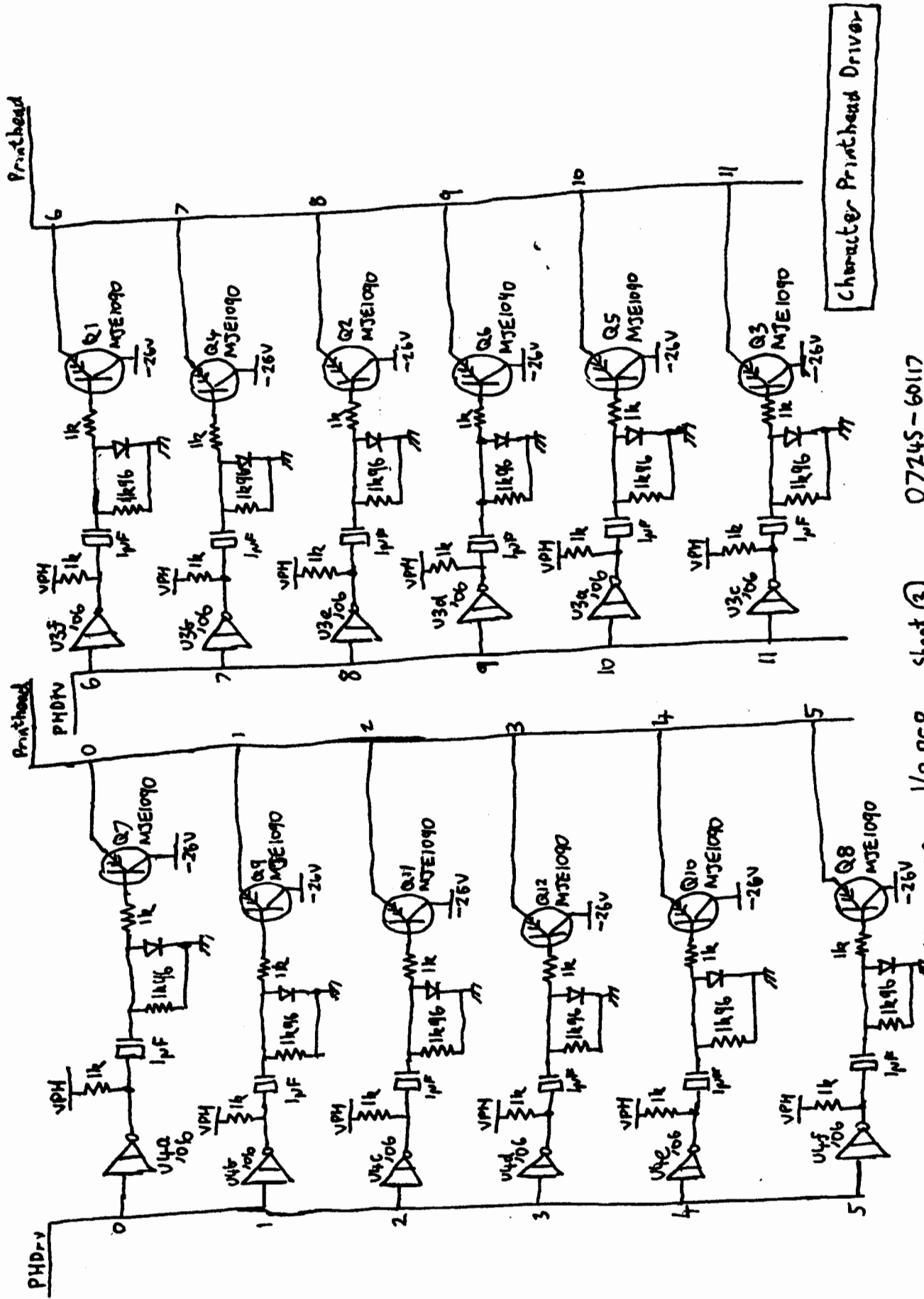
Port Addressing

J3
 (Ribbon Cable
 to Control Panels
 and Printhead
 Connectors)



Control Panel Ports

HP 7245A I/O PCB Sheet 2 07245 -60117



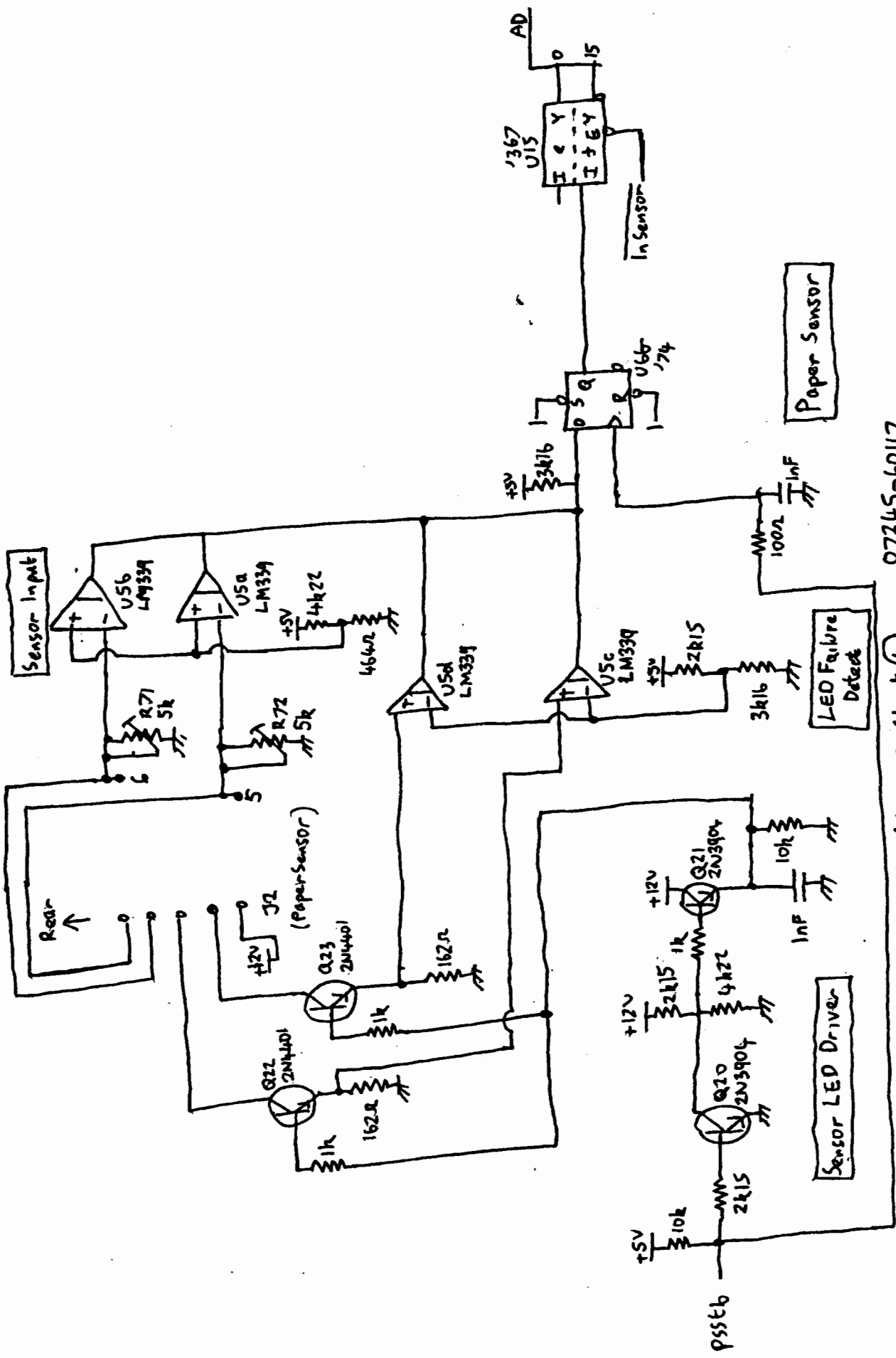
Character Printhead Driver

07245-60117

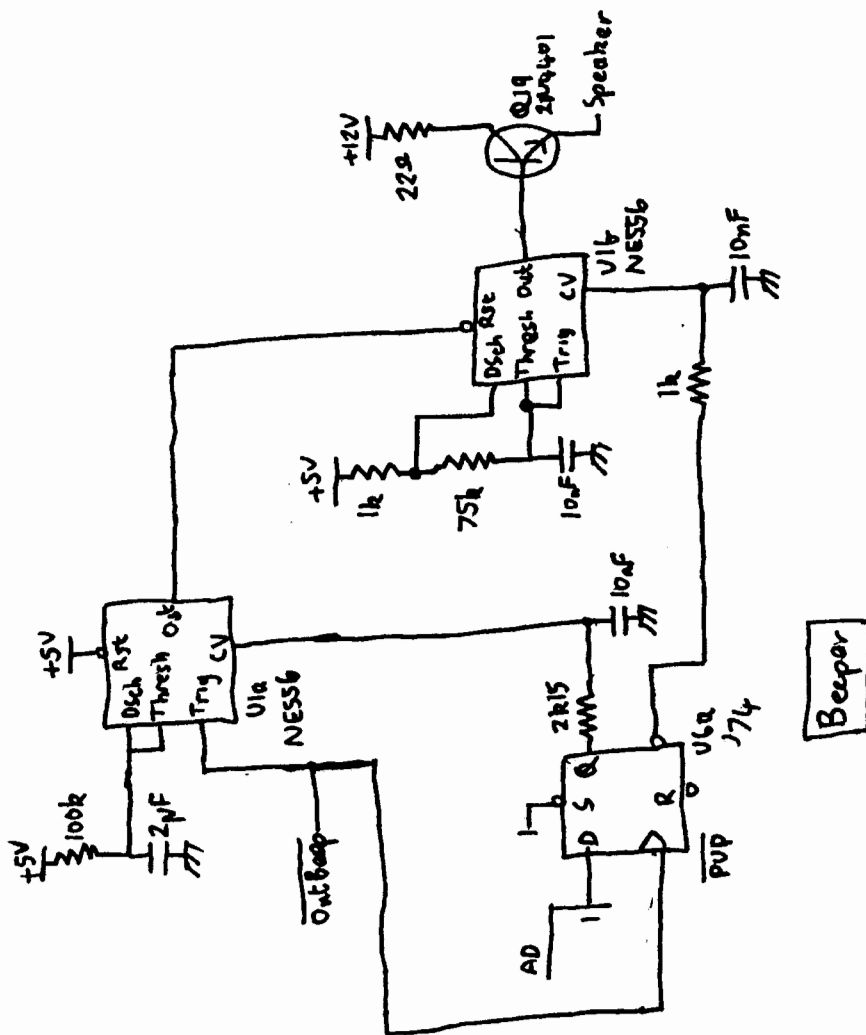
Sheet 3

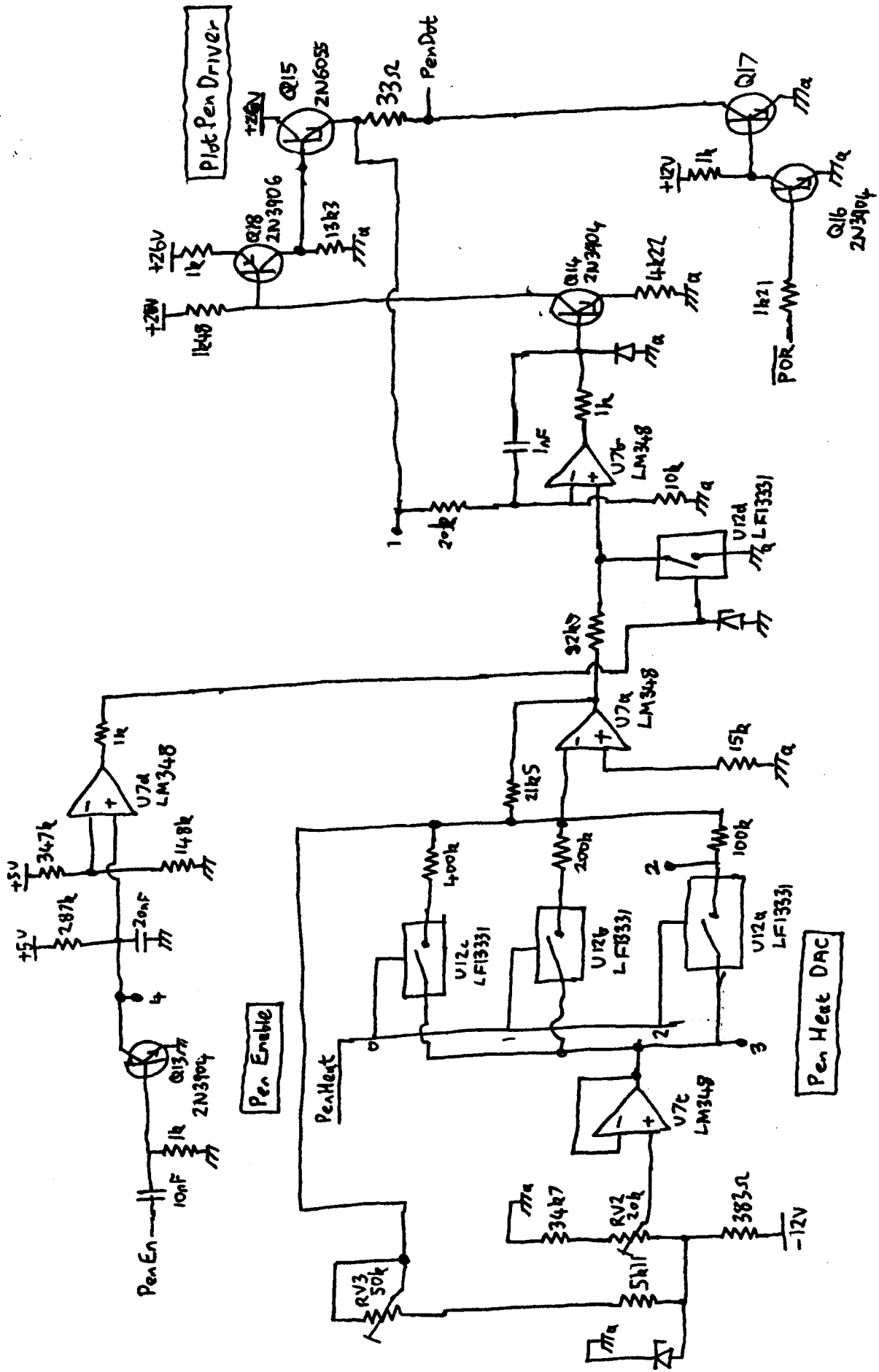
1/0 PCB

HP7245A



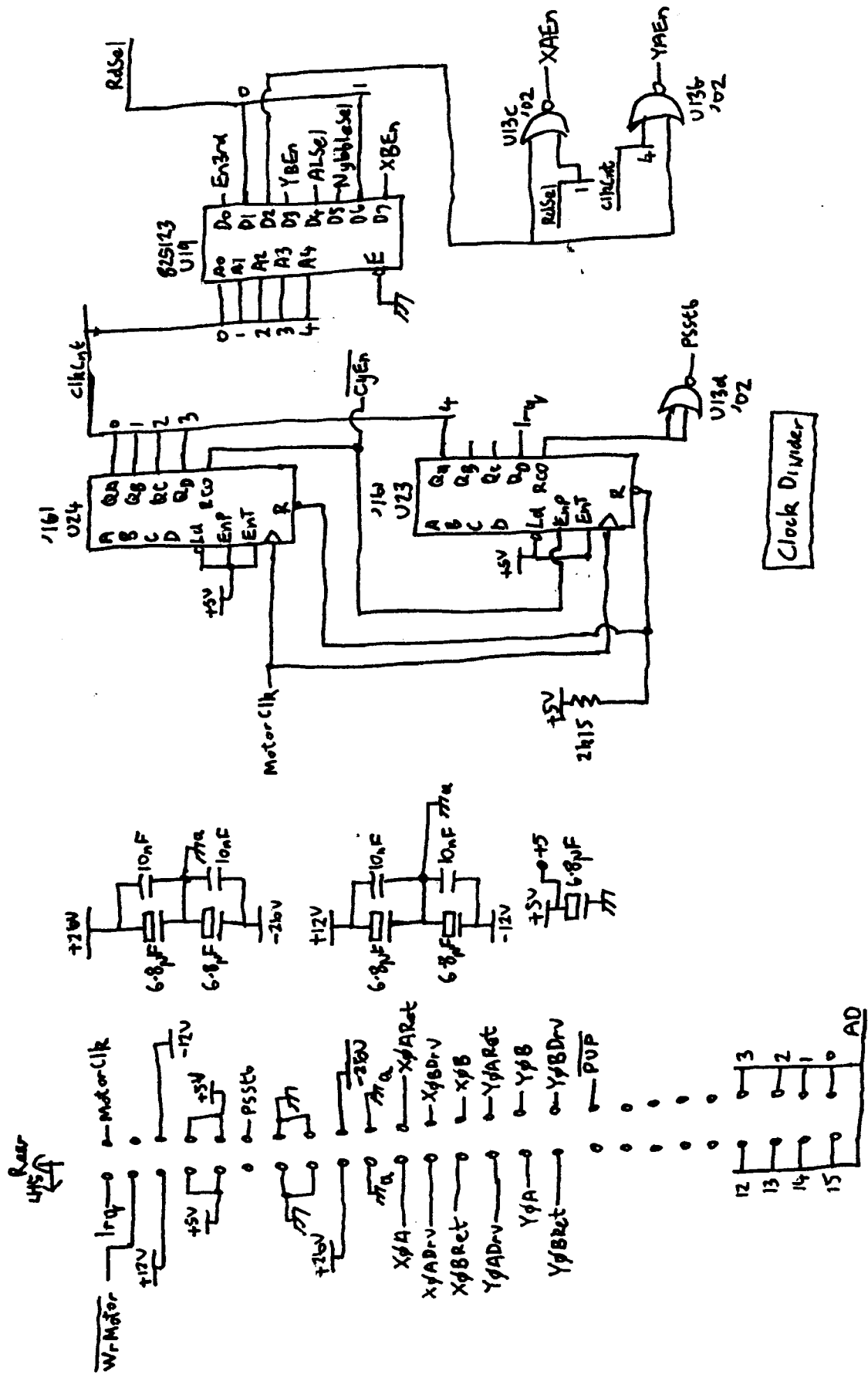
HP7245A I/O PCB Sheet (4) 07245-60117

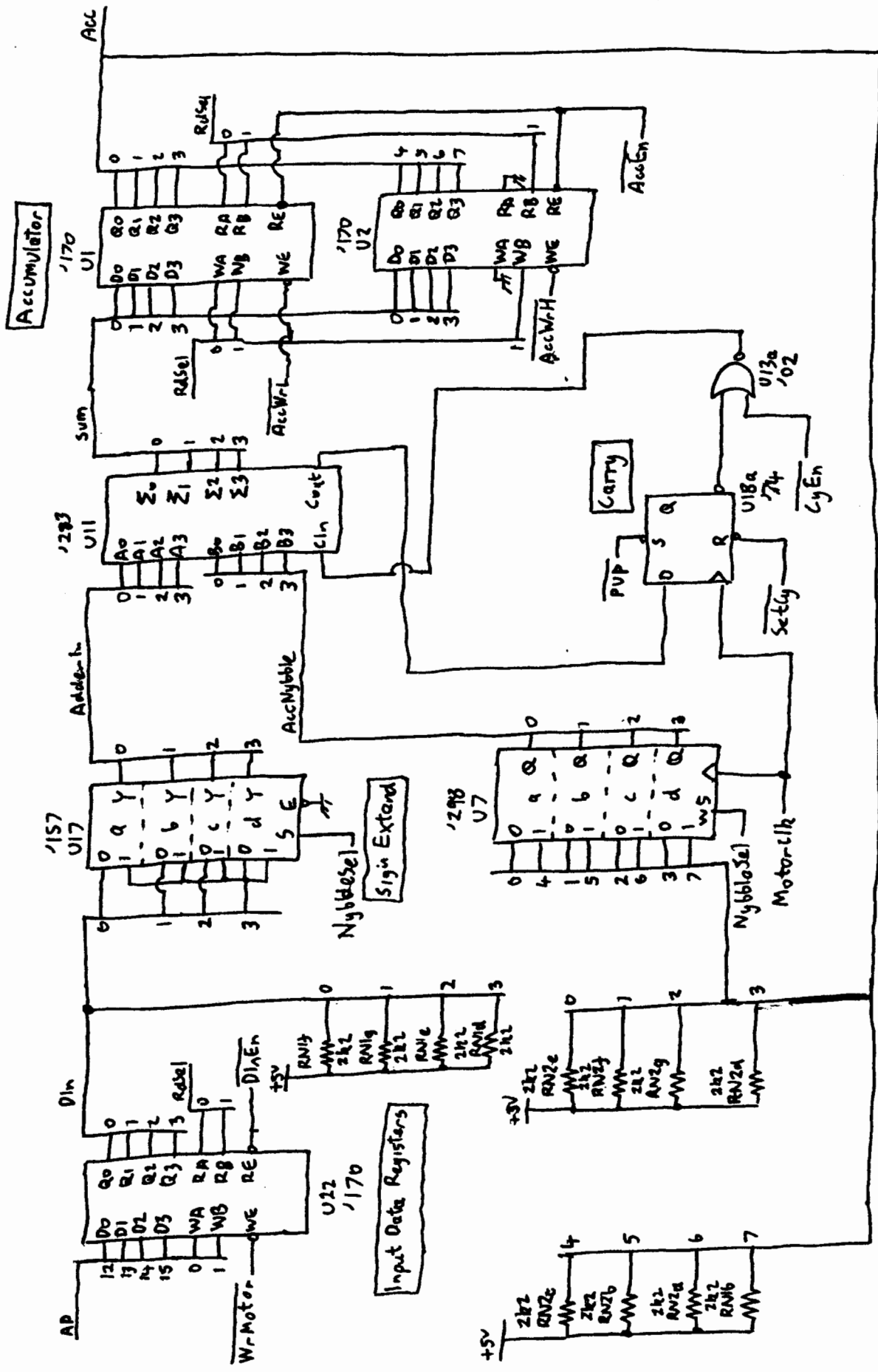




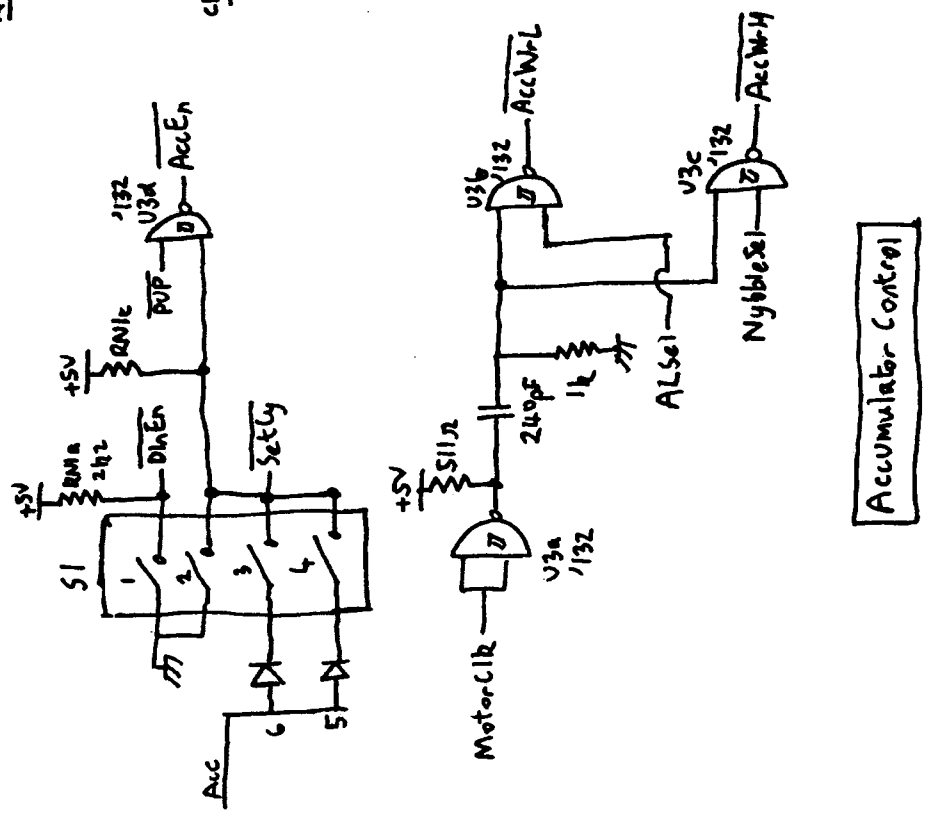
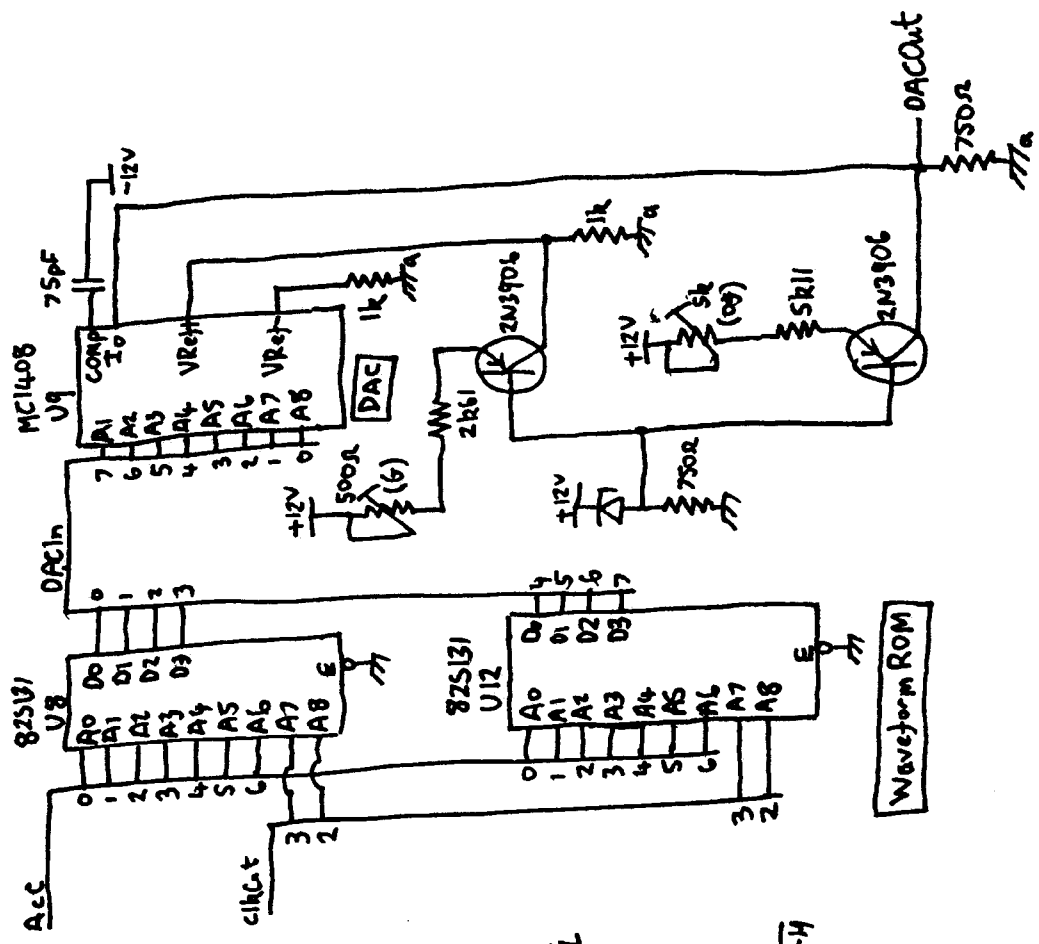
07245-60117

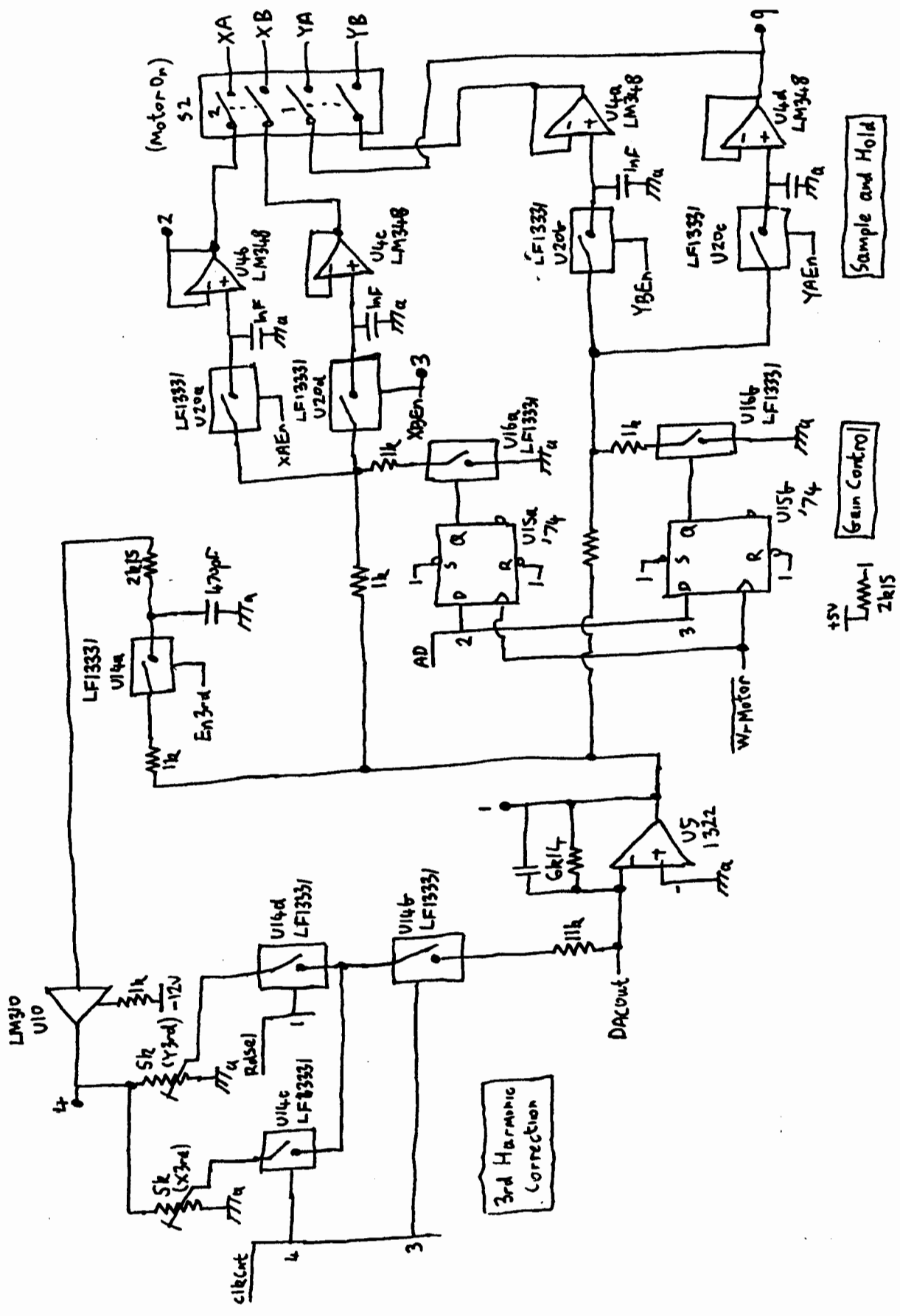
HP7245A I/O PCB Sheet 6

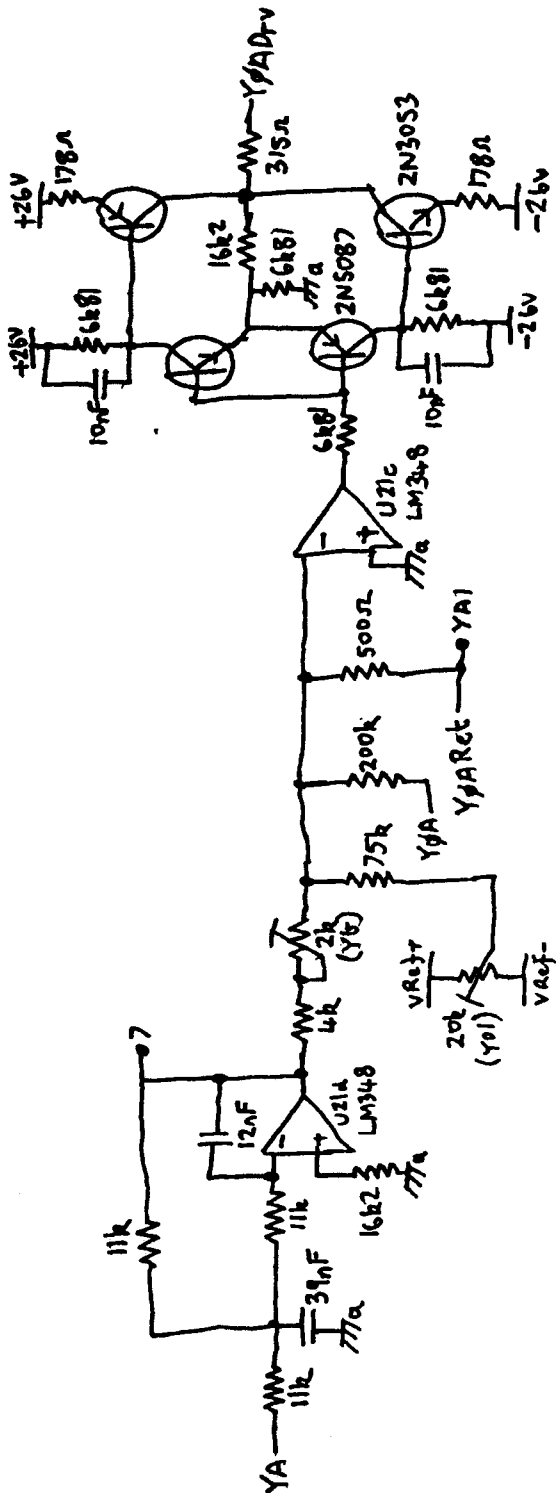




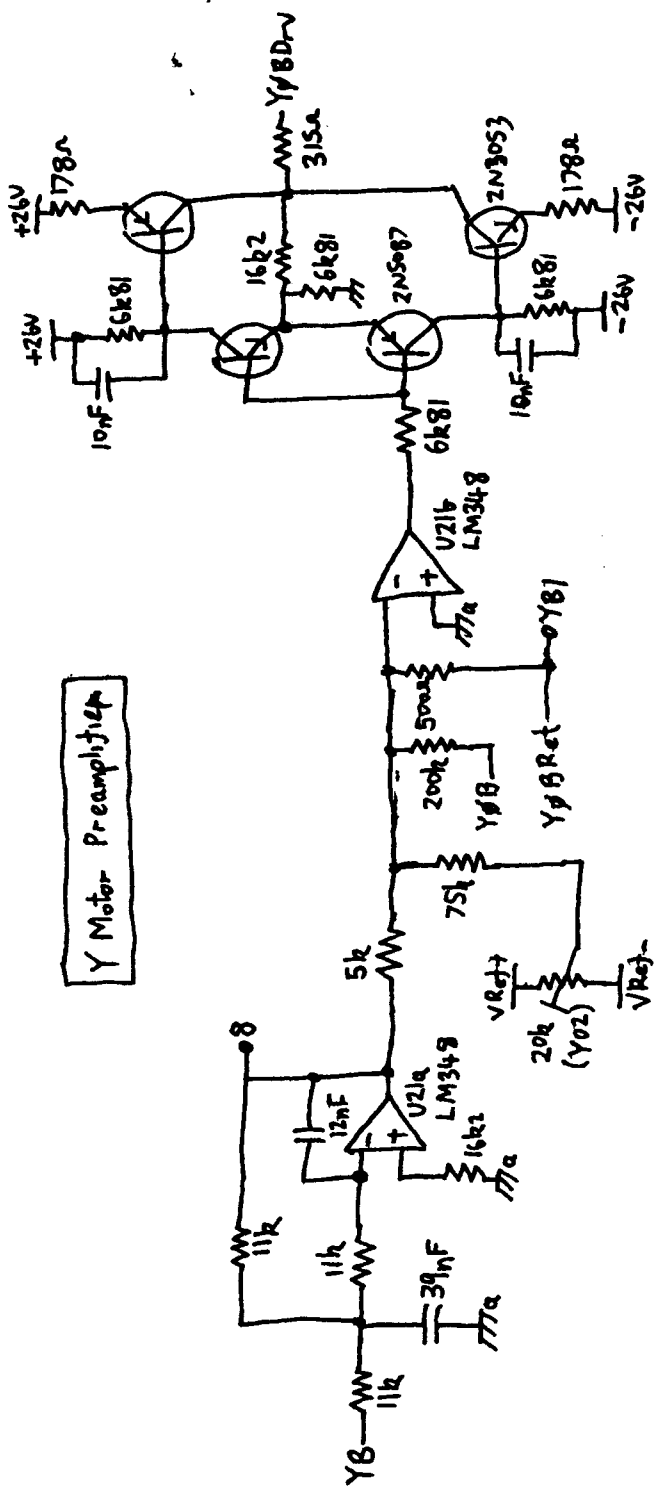
HP7245A Motor Control PCB Sheet 2 07245-60120







Y Motor Pre-amplifier



07245-60120

Motor Control PCB Sheet 6

HP7245A

Enter	Text
Pos	

P1	P2
----	----

Reset

Left Hand

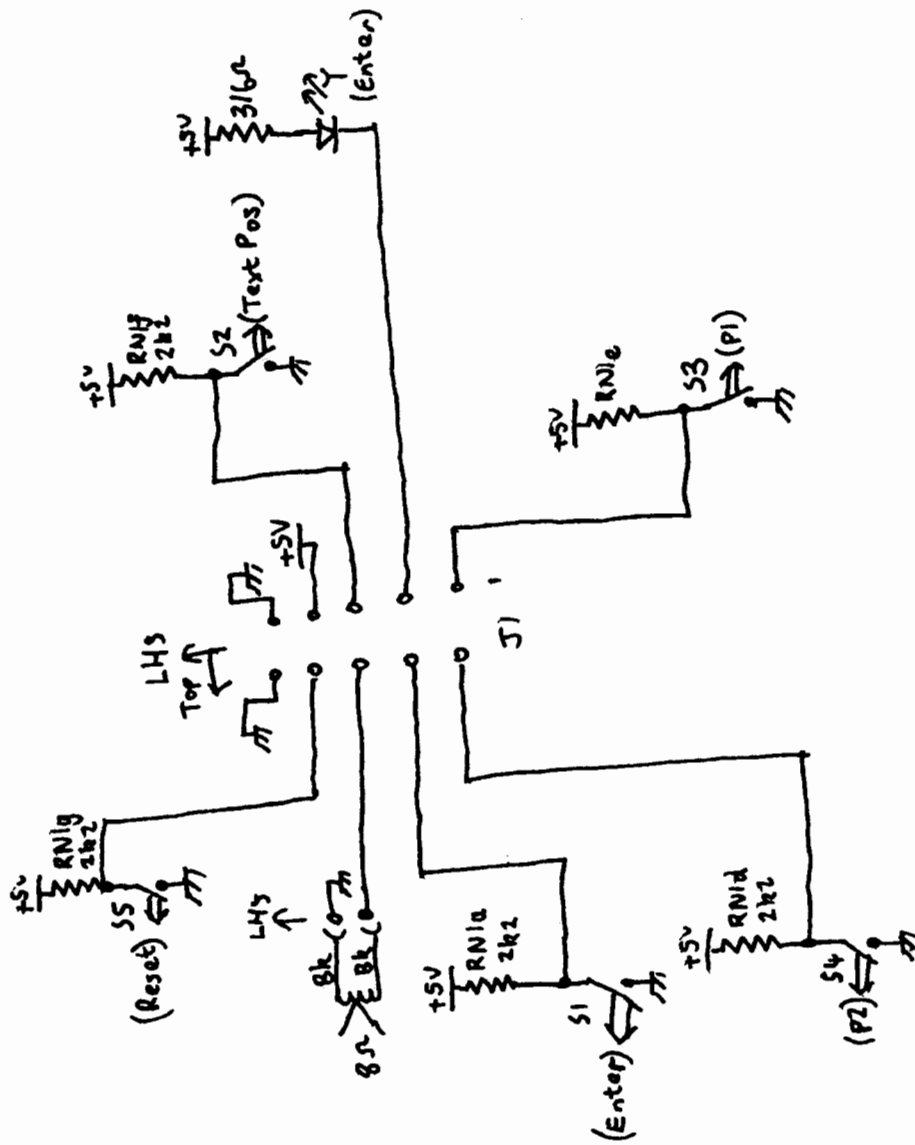
A	→
Fast	
←	↓

Pen On	Pen Off	Display Focus
--------	---------	---------------

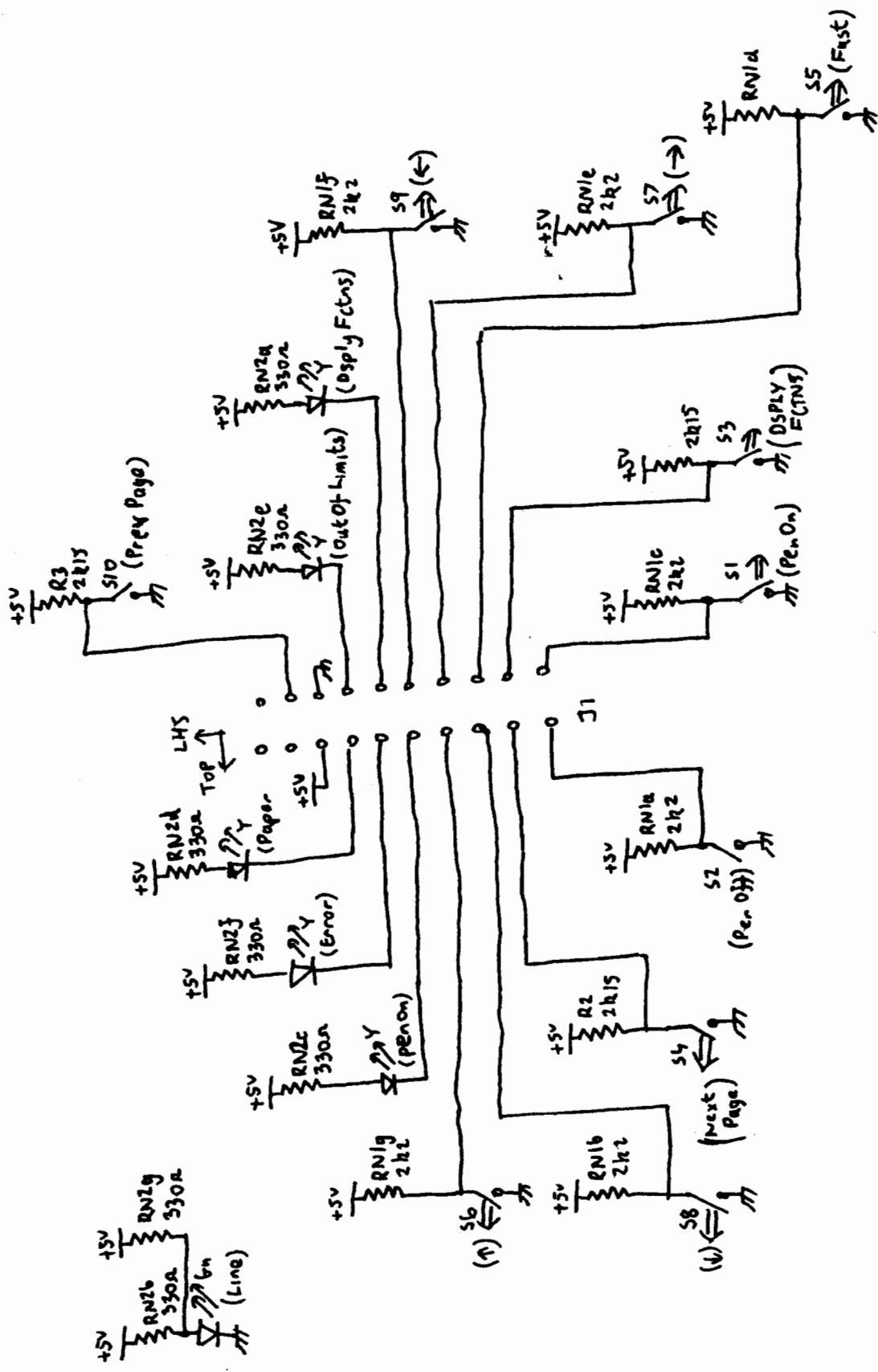
Prev Page	Next Page
-----------	-----------

Right Hand

HP7245A Control Panels



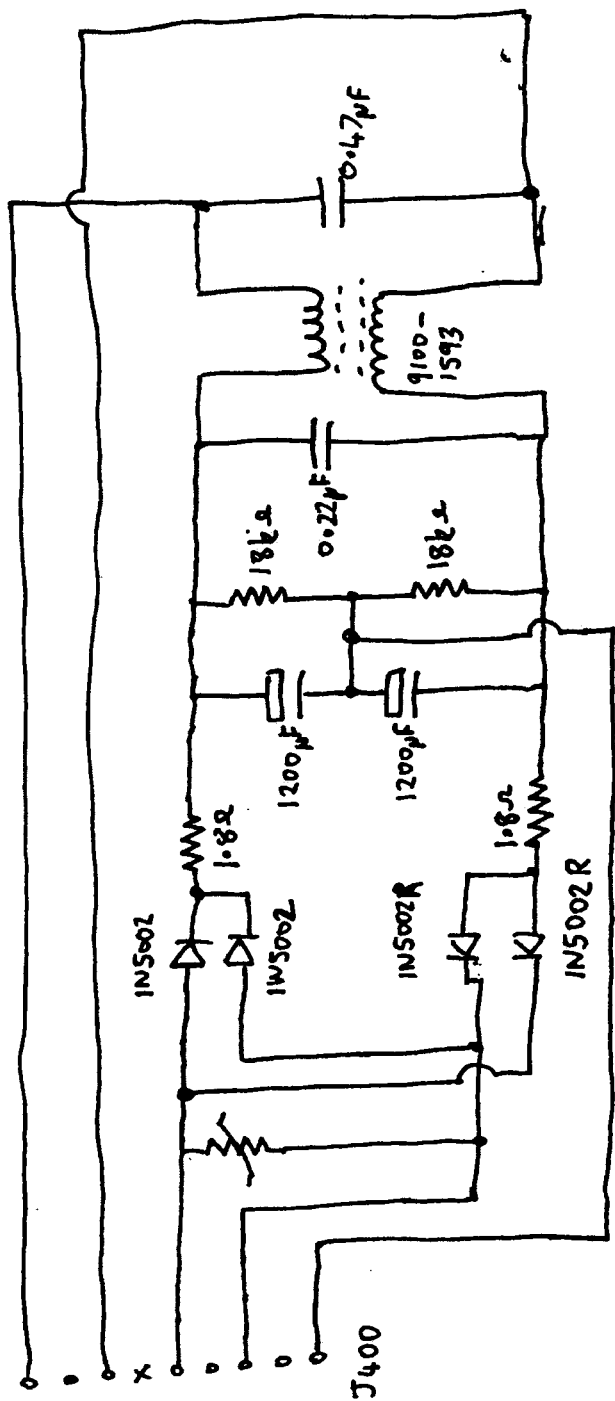
HP7245A Left-Hand Control Panel PCB 07245-60113



07245-60114

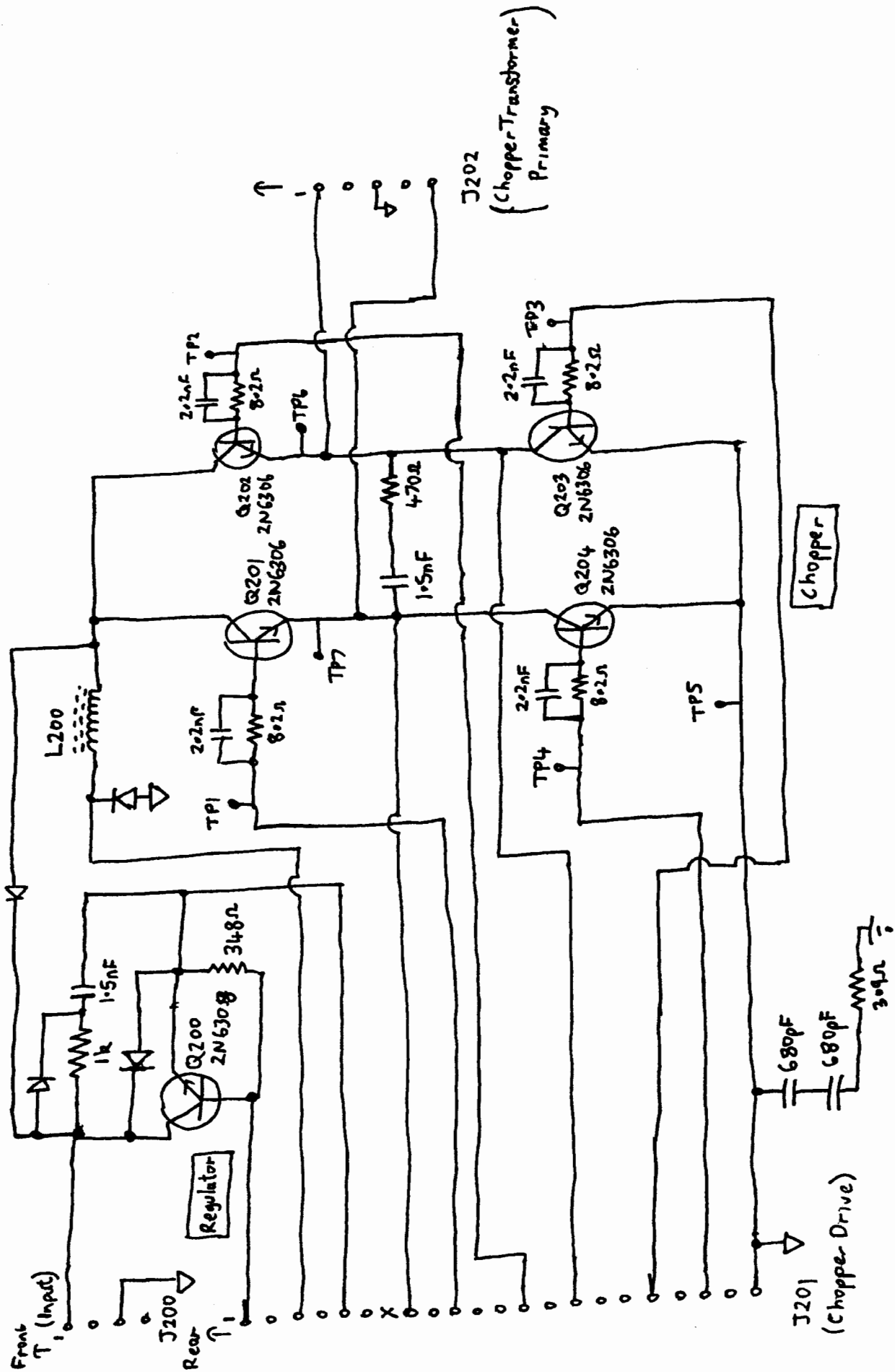
Right-Hand Control Panel PCB

HP7245A

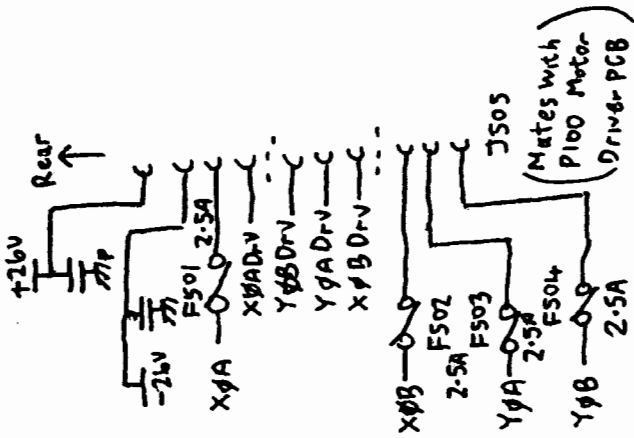


07245-60106

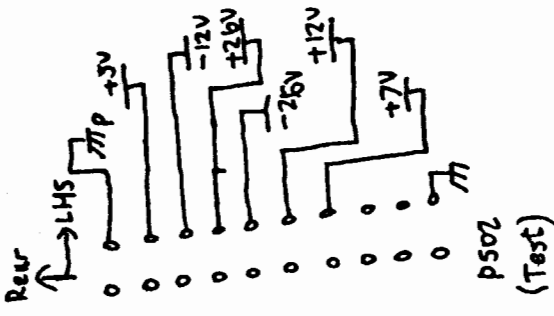
HP7245A Mains Rectifier PCB



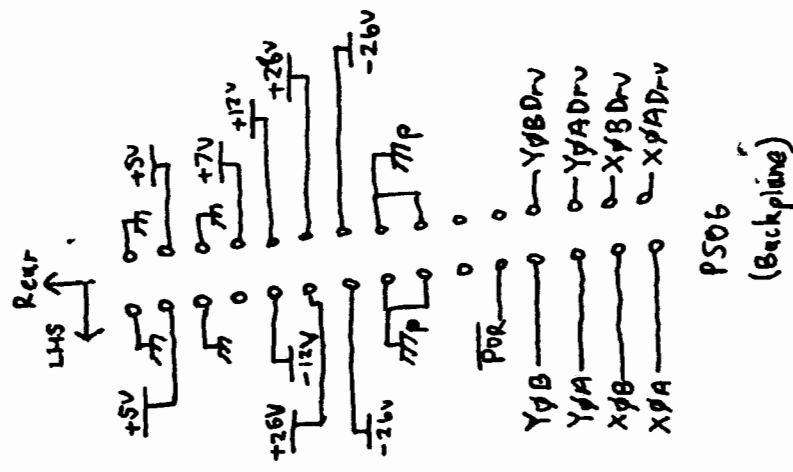
HP7245A Chopper PCB 07245-60108

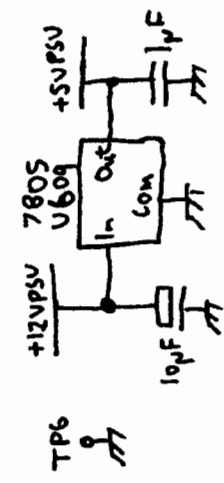
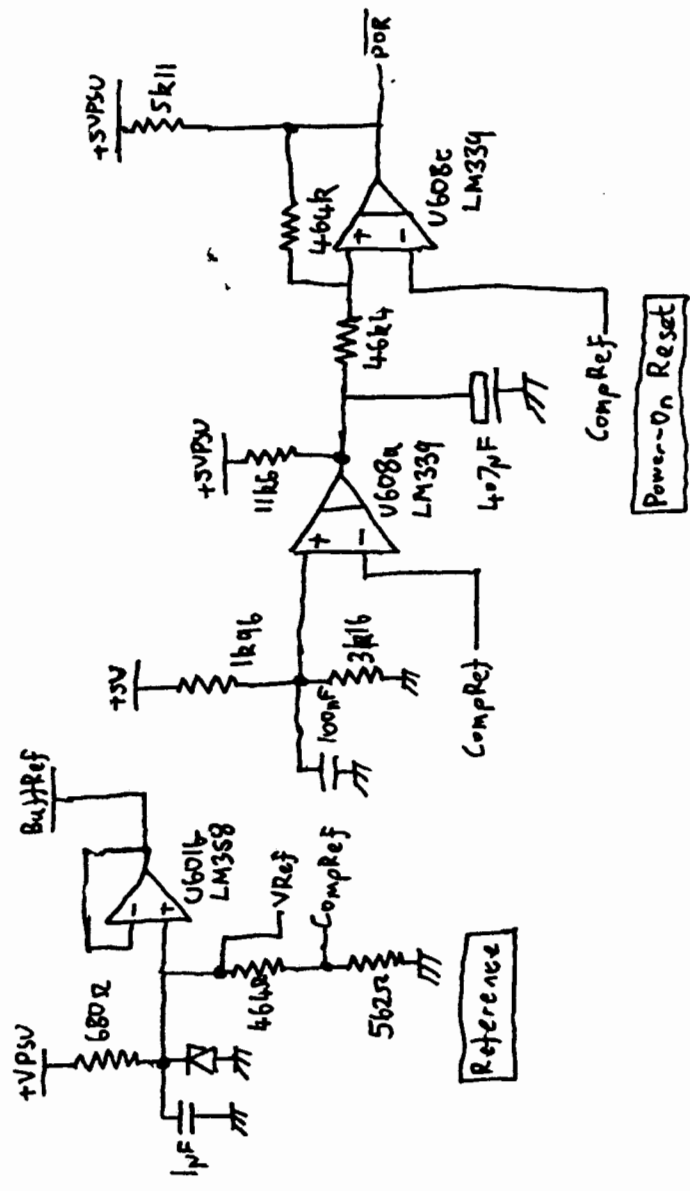
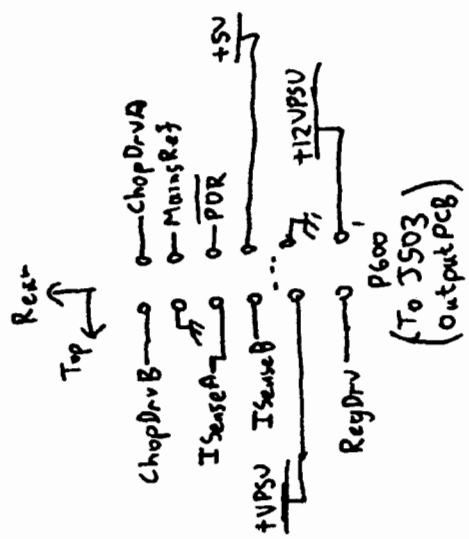
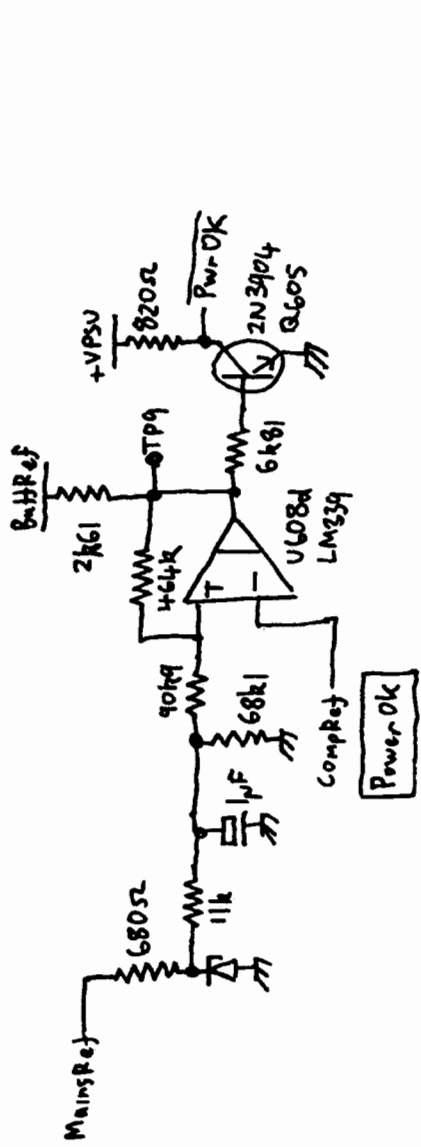


Motor Driver Connector

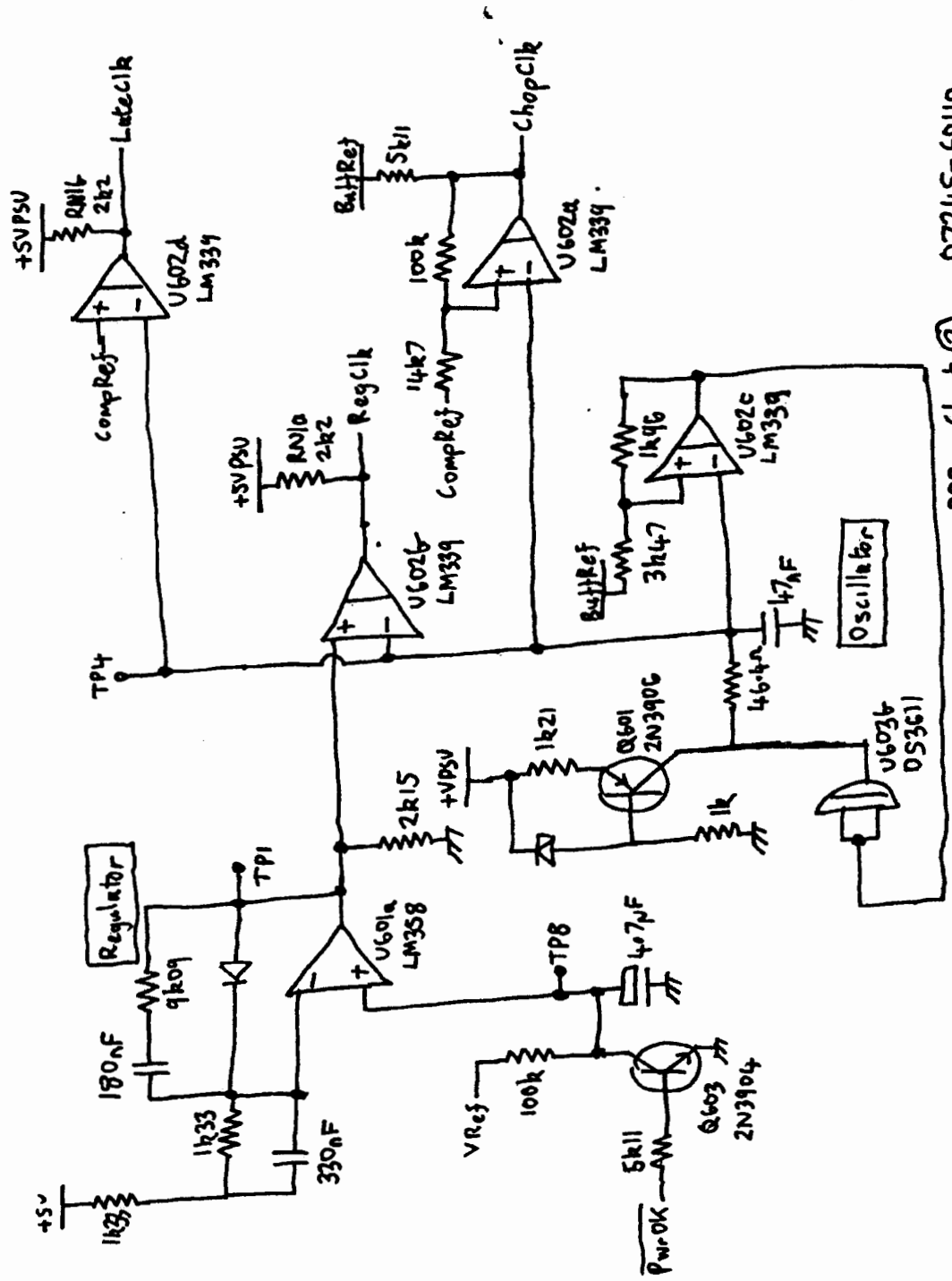


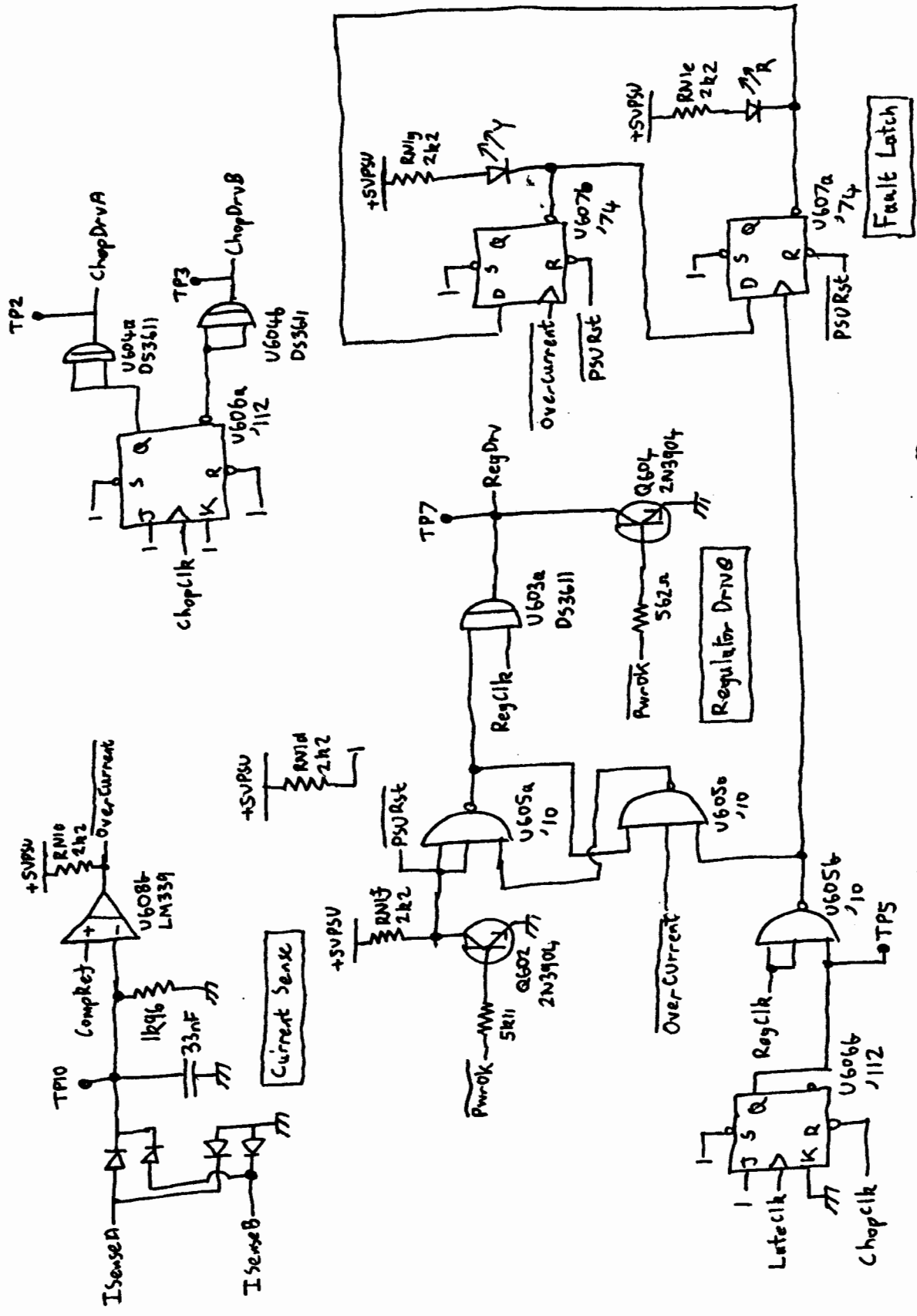
Output Connector



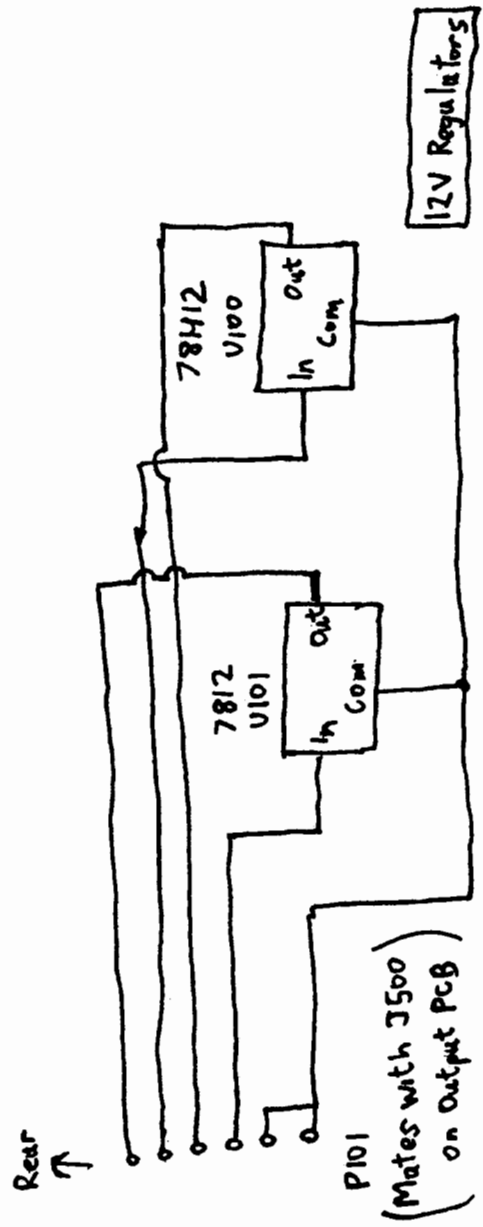
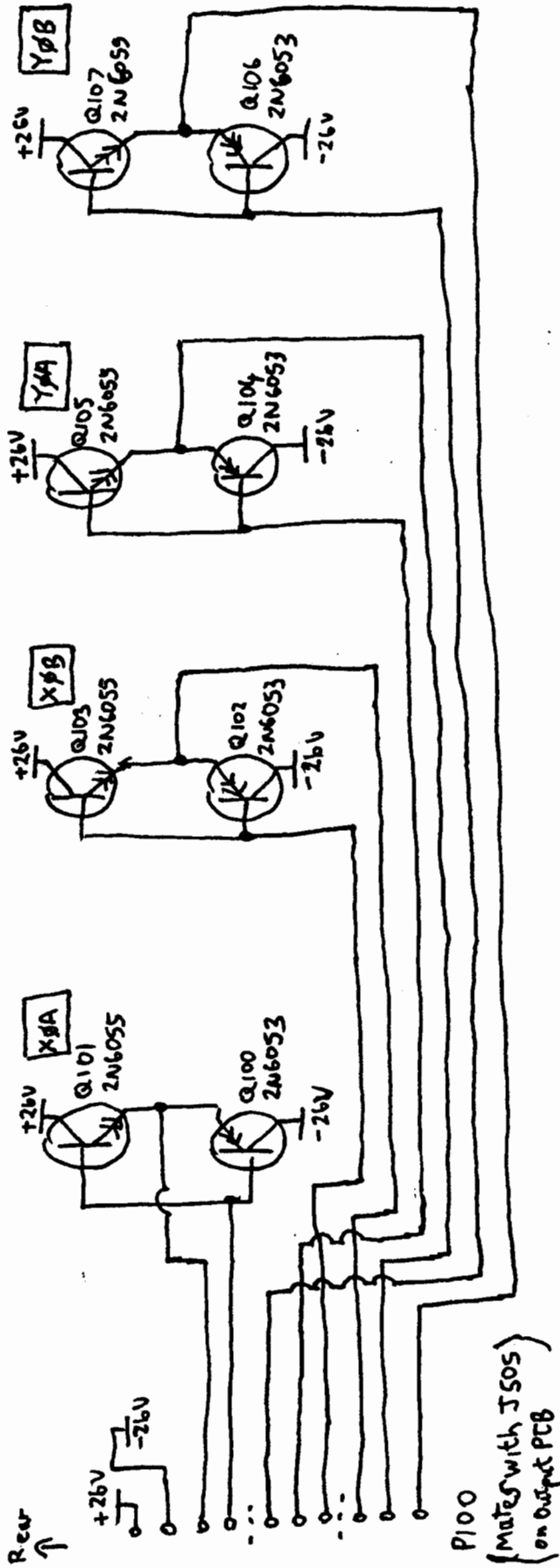


HP7245A PSU Control PCB sheet ① 07245-60110

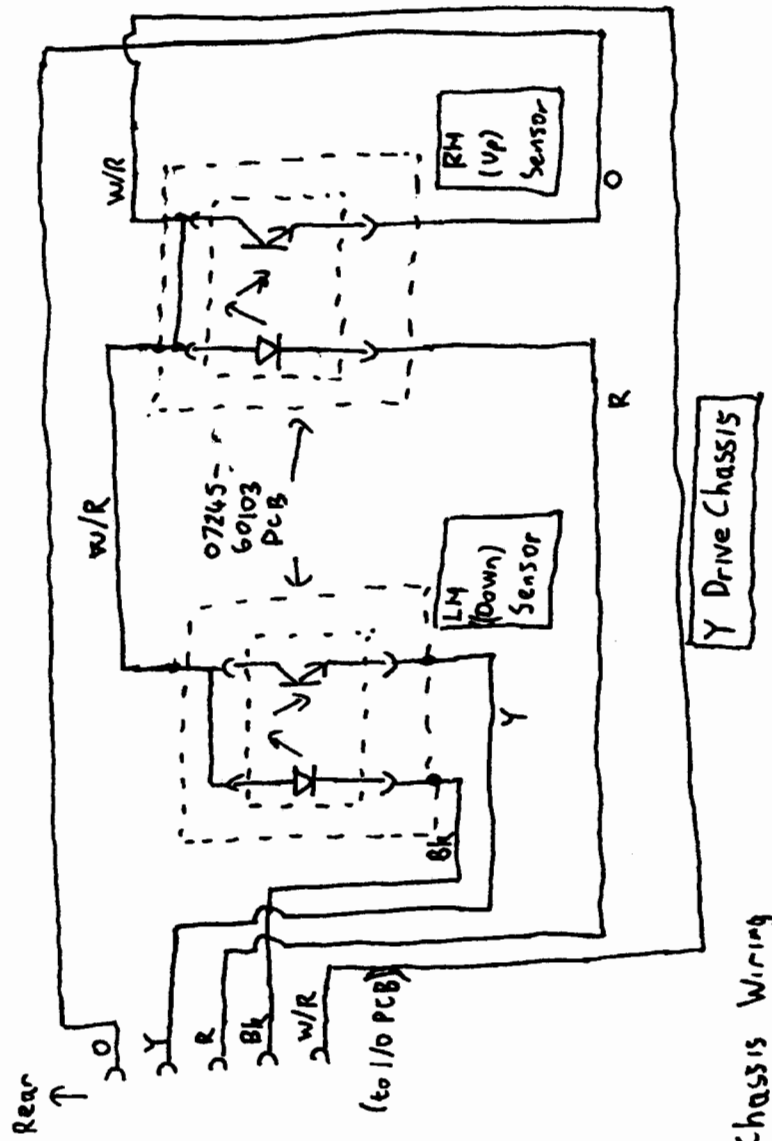
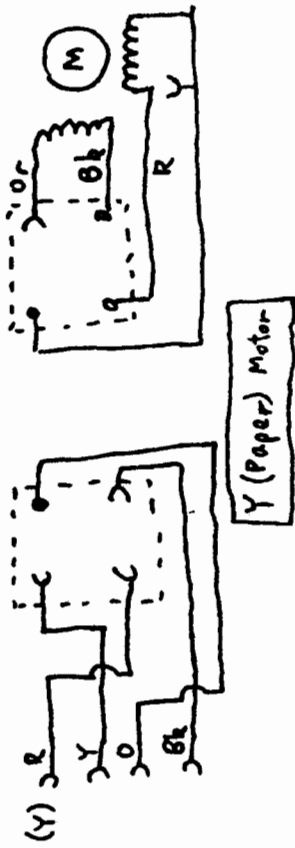
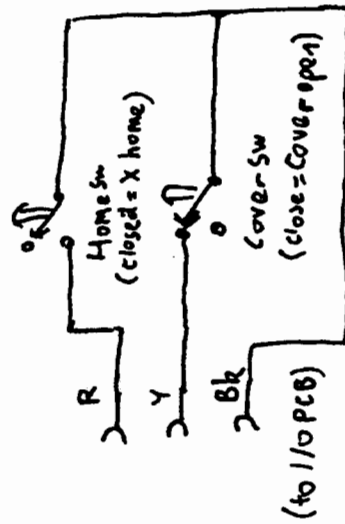
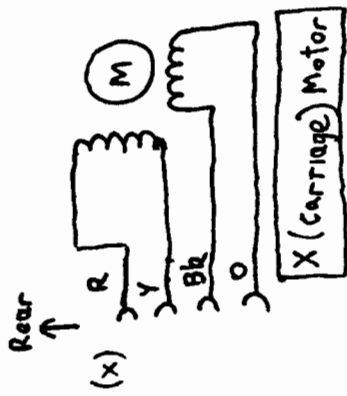




HP7245A PSU Control PCB sheet ③ 07245-60110



HP 7245A Motor Driver PCB 07245-60109



HP7245A Chassis Wiring

