
HP Apollo 9000 Series 700 U.S. Price Guide

For internal use only



HP Computer Museum
www.hpmuseum.net

For research and education purposes only.

HP Apollo 9000 Series 700

WORKSTATIONS, SERVERS, OPTIONS & PERIPHERALS

All Workstations include a high performance PA-RISC processor, a memory management unit, a local area network interface and an integrated high resolution bit-mapped graphics display with detachable keyboard. A license to use the HP-UX Run-Time Environment operating system, pursuant to Hewlett Packard's then current applicable software license terms and conditions, is granted by Hewlett Packard with each workstation.



THIS PRICE GUIDE IS PROVIDED FOR INFORMATION PURPOSES AND IS SUBJECT TO CHANGE WITHOUT NOTICE. FOR A FORMAL QUOTE OF THESE PRODUCTS PLEASE CONTACT THE NEAREST HEWLETT PACKARD SALES OFFICE. THE SALE OF EQUIPMENT AND LICENSE OF HEWLETT PACKARD'S PROPRIETARY SOFTWARE PROGRAMS SHALL BE GOVERNED BY HEWLETT PACKARD'S THEN CURRENT APPLICABLE TERMS AND CONDITIONS. HEWLETT PACKARD MAKES NO WARRANTIES OR REPRESENTATIONS WITH RESPECT TO THE PRODUCTS OR SERVICES DESCRIBED HEREIN, INCLUDING THE IMPLIED WARRANTIES OF MERCHANTABILITY OR FITNESS FOR A PARTICULAR PURPOSE.

For detailed product information concerning this price guide you should reference the **SERIES 700 QUICK-REFERENCE CONFIGURATION GUIDE (5091-0978E)**.

ALL PRICES INCLUDE FACTORY BASE PLUS FREIGHT IN U.S.A.

TABLE OF CONTENTS

	PAGE
GENERAL INFORMATION	1
INTRODUCTION TO HP APOLLO 9000 SERIES 700	4
WORKSTATION/SERVER SYSTEMS OVERVIEW	5
OPERATING ENVIRONMENT	6
GRAPHICS OPTIONS	6
ORDERING EXAMPLE	7
INTRODUCTION TO CORE FUNCTIONALITY (Temporary Section)	C-1
CORE FUNCTIONALITY - MODEL 720 DESKTOP WORKSTATIONS	C-5
CORE FUNCTIONALITY - MODEL 730 DESKTOP PA-RISC WORKSTATIONS	C-11
CORE FUNCTIONALITY - PERIPHERALS	C-17
CORE FUNCTIONALITY - SOFTWARE	C-19
MODEL 720 DESKTOP WORKSTATIONS	9
Model 720 System Standard Features	9
Model 720 System Options Diagram	9
Model 720 Workstations/Server	10
Model 720 Factory Integrated Options	11
Model 720 Localization Kit	12
Model 720 Factory Integrated Configuration Matrix	13
Model 720 Workstations and Servers Factory Configuration Flow Chart	14
Model 720 Add-on Options (Customer or Field installed)	15
MODEL 730 MIDRANGE DESKTOP WORKSTATIONS	19
Model 730 System Standard Features	19
Model 730 System Options Diagram	19
Model 730 Workstations/Server	20
Model 730 Factory Integrated Options	21
Model 730 Localization Kit	22
Model 730 Factory Integrated Configuration Matrix	23
Model 730 Workstations and Servers Factory Configuration Flow Chart	24
Model 730 Add-on Options (Customer or Field installed)	25
MODEL 750 DESKSIDE WORKSTATIONS	29
Model 750 System Standard Features	29
Model 750 System Options Diagram	29
Model 750 Workstations/Servers	30
Model 750 Factory Integrated Options	31
Model 750 Localization Kit	32
Model 750 Factory Integrated Configuration Matrix	33
Model 750 Workstations and Servers Factory Configuration Flow Chart	34
Model 750 Add-on Options (Customer or Field installed)	35

TABLE OF CONTENTS

	PAGE
SERIES 700 UPGRADES	39
PERIPHERALS	41
Laser Printers	41
Color Ink Jet Printers	41
Impact Printers	41
Electrostatic Plotters	42
Pen Plotters	42
HP-HIL Devices (HP-UX)	43
CABLES	45
SCSI II Cables	45
SCSI II Cabling and Terminators for Series 700 (Chart)	47
Serial, Parallel, and HP-IB Cables	48
SOFTWARE	49
Introduction - Software on CD-Media	49
Adding software to the Series 700 (Flow Chart)	51
Software Products	52
DOCUMENTATION	59
HARDWARE SUPPORT	61
SOFTWARE SUPPORT	70

WORKSTATIONS & SERVERS

INTRODUCTION

What is in this Guide

In this guide, you should find all the product ordering, pricing, and configuration information you need to order your Series 700 system with confidence. It includes:

- the workstations and servers for the Model 720, Model 730, and Model 750
- the factory integrated options available for each model (installed prior to delivery)
- customer installable add-on options available for each model (installed by customer or HP service technician after delivery)
- upgrades
- hardcopy and other input/output peripherals
- cables
- software
- hardware and software support

In addition, there are configuration diagrams, charts, prerequisites and ordering instructions included at key points to assist you in configuring and ordering the system best suited to meet your needs.

How to Use this Guide

Immediately following this introduction is a summary System Overview. There, you will find a brief listing of system standard features for each of the Series 700 models, for the various graphics options available, and for the HP-UX Release 8.05 operating system. When you have chosen the model and graphics option that seems appropriate, you can turn to the section of the Price Guide on that model. The ordering examples that follow show some of the typical choices made in ordering one of these workstations.

The sections of this guide that cover the workstation/server models (Model 720, Model 730, and Model 750) are organized around the three categories of hardware from which you may want to order:

- 1) A fully operational basic workstation (including SPU, graphics, RAM, and, in most cases, a disk) is ordered on a single product number called a *Standard Configuration*. A *localization kit* must be ordered with each *Standard Configuration*.
- 2) Factory integrated *Configuration Options* are also available to provide a wide range of choices of system RAM, internal storage, and other options (installed prior to delivery).
- 3) Customer or field installable *Add-on Options* allow many of the same choices for configuration that are available with the factory integrated options, in case the decision to add functionality is made after the initial system has been installed. In addition, these options provide configuration choices not available with the factory integrated options.

In order to guide you through the simple steps of configuring your system, a *System Options Diagram*, a *Factory Configuration Matrix*, and a configuration flow chart are also provided for each model. The *Systems Options Diagram* graphically depicts the technical configuration constraints of each model. Not every technically feasible combination of options can be factory integrated, however. To determine if the combination of features you want is available in a factory integrated configuration, check the *Factory Configuration Matrix*. The configuration flow chart shows a logical order for choosing configuration options. Most standard configurations and options can be completely configured at the factory. If not, choose from other options in the add-on section. A complete example of this process is worked out at the end of the Model 720 Section of this guide, using the *Configuration Worksheet*. Blank copies of *Configuration Worksheets* for Models 720, 730 and 750 are included at the back of the Price Guide.

Now that your workstation is complete, turn to the other sections of the Series 700 Price Guide to add any further peripherals and the cables required to connect them, software and support.

For further configuration information, consult the "Quick-Reference Configuration Guide" (Part #5091-0978E).

WORKSTATION/SERVERS SYSTEMS OVERVIEW

Model 720 - Desktop Workstation/Server

- 50MHz PA-RISC processor integral with 50MHz floating point co-processor
- delivers 55.5 SPECmarks, 57 MIPS, and 17 MFLOPS
- configurable with 16 to 64MB main memory
- configurable with a maximum of 2 internal 3.5" storage devices
- 2 asynchronous RS-232C ports
- 1 Centronics parallel port
- external SCSI II port (support for a total of up to 7 devices - including internal)
- IEEE 802.3 Ethernet LAN interface configured with ThinLAN
- optional 32 bit EISA bus (1 slot)
- auto selecting power supply 115V/230V
- operating environment: HP-UX 8.05 Run-Time, 2 user license-to-use
- documentation (Owner's Guide and General Usage manuals:
HP VUE User's Guide, Using the X windows System,
A Beginner's Guide to HP-UX, Finding Information (HP-UX)).
- stand and labels for optional deskside use

Model 730 - Midrange Desktop Workstation/Server

- 66MHz PA-RISC processor integral with 66MHz floating point co-processor
- delivers 72.2 SPECmarks, 76 MIPS, and 22 MFLOPS
- configurable with 16 to 64MB main memory
- configurable with a maximum of 2 internal 3.5" storage devices
- 2 asynchronous RS-232C ports
- 1 Centronics parallel port
- external SCSI II port (support for a total of up to 7 devices - including internal)
- IEEE 802.3 Ethernet LAN interface configured with ThinLAN
- includes EISA bus (1 slot)
- auto selecting power supply 115V/230V
- operating environment: HP-UX 8.05 Run-Time, 2 user license-to-use
- documentation (Owner's Guide and General Usage manuals:
HP VUE User's Guide, Using the X windows System,
A Beginner's Guide to HP-UX, Finding Information (HP-UX)).
- stand and labels for optional deskside use

Model 750 - Deskside Workstation/Server

- 66MHz PA-RISC processor integral with 66MHz floating point co-processor
- delivers 72.2 SPECmarks, 76 MIPS, and 22 MFLOPS
- configurable with 16 to 192MB main memory
- Configurable with maximum of 2 full height 5 1/4" SCSI II disks and 2 half height or 1 full height removable media SCSI II devices
- 2 asynchronous RS-232C ports
- 1 Centronics parallel port
- external SCSI II port (support for a total of up to 7 devices - including internal)
- IEEE 802.3 Ethernet LAN interface configured with ThinLAN
- includes EISA bus (4 slots)
- auto selecting power supply 115V/230V
- operating environment: HP-UX 8.05 Run-Time, 2 user license-to-use
- documentation (Owner's Guide and General Usage manuals:
HP VUE User's Guide, Using the X windows System,
A Beginner's Guide to HP-UX, Finding Information (HP-UX)).

Operating Environment

HP-UX Release 8.05 Run-Time Environment Key Standard Features:

- HP-UX 8.05 Operating Systems
 - HP VUE 2.01
 - ARPA Berkeley services
 - Network File System (NFS)
 - HP Diskless
 - LAN Link software
 - Native Language Support (NLS)
 - System Administration Manager (SAM)
 - Run-Time C Compiler
 - Disk quotas
 - Keyshell - the new, easy-to-use, menu-driven shell
 - Diagnostics
 - Compliance with XPG, POSIX, FIPS, SVID
- Run-Time support for:
 - Network License Server (NetLS)
 - Network Computing System (NCS)
 - Applications using Starbase Graphics Library
 - Applications using Starbase Display List
 - Applications taking advantage of shared libraries
 - Applications built on OSF Motif and X Window

Graphics Options

GRX Grayscale

- 8-bit Grayscale
- 256 shades of gray
- 1280x1024 resolution, 19" display
- 72 Hz monitor refresh rate
- Accelerated X11 performance
- Hardware cursor

PVRX 3D Color

- 8/8 plane double-buffering
- 256 colors
- 1280x1024 resolution, 19" display
- 60Hz monitor refresh rate
- 16-bit Z-buffer
- Hardware dithering
- Screen door transparency
- Wireframe depth cueing
- Sectioning and capping
- The Personal Visualizer, Radiosity and Ray-Tracing

CRX Color

- 8-bit color
- 256 colors
- 1280x1024 resolution, 19" display
- 8/8 plane double-buffering
- 72 Hz monitor refresh rate
- Accelerated X11 performance
- 2D/3D color vector performance
- Hardware cursor

TVRX 3D Color (T2 or T4)

- 24 image planes (12/12 double-buffered)
- 16.7 million colors
- 1280x1024 resolution, 19" display
- 72Hz monitor refresh rate
- 24-bit Z-buffer
- 12x12 double buffering with dithering
- 2 (T2) or 4 (T4) transform engines
- Sub-pixel addressing
- 12-bit color indexing
- Transparency (screen door/alpha blending)
- Wireframe depth cueing
- The Personal Visualizer, Radiosity and Ray-Tracing

Ordering Example

As a guide to stepping through the process of ordering a particular system configuration, we present at this point an example. The ordering flowcharts contained in the price guide graphically depict the choice of systems and options available at each step of the ordering process. We will examine the required paths through the flowcharts as we construct the sample configurations.

In this example, the order consists of five entry level desktop workstations supported by a high-end deskside server system. The graphics requirements are for 2D color/3D wireframe. The entry desktop systems must have 32MB RAM while the deskside system needs to have 64MB RAM. For mass storage and media, the entry desktops will have 420MB disks with 3.5" floppies, and the deskside system will have 2.6GB of disk with an internal tape for backup. The installed network is Ethernet wired with Thicknet cabling. Finally, the order specifies the Instant Ignition option which pre-loads the HP-UX operating system.

Sample order configuration: Entry Desktop System (Order Quantity 5)

Model 720 (50MHz CPU) CRX 2D/3D color graphics 32MB RAM 420MB disk 3.5" floppy Network: Thick Ethernet Instant Ignition HP-UX pre-load	Model 720 A1933A # AN8 included # AMB # AL9 # 0DC	<i>CRX 420MB disk std config add 16MB to std 16MB included in std config add 3.5" floppy drive select LAN AUI</i>
Required Localization Kit U.S. English	A1099A # ABA	

- CPU, Graphics** The first step in ordering this configuration is to locate the appropriate starting system building block. Turning to the Model 720 page in the price guide, we see different basic Model 720 configurations ordered by graphics subsystem (GRX, CRX, PVRX, TVRX, Server). Looking at the choices for Model 720 CRX Color 2D/3D we see two choices, one for a diskless bundle and one for a 420MB bundle.
- Disk, Memory** The correct choice in this case is A1933A, the Model 720 CRX 420MB disk bundle. Turning next to memory, note that all Series 700 systems come with 16MB RAM standard. In order to get to the specified 32MB RAM, we need to order option # AN8 from the memory choices on the Model 720 factory integrated options page. Looking down on the same page, we see the internal storage options from which we select option # AMB for the 3.5" floppy. Since a 420MB disk is included in the A1933A bundle, we do not need to select additional factory integrated internal storage for this order.
- Options** The other options are also ordered from this page. Since the existing network is Thick Ethernet, we need to select option # AL9 to have the factory configure the system for Thick Ethernet. Typically, Ethernet network cabling is based on ThinNET, so the Series 700 has ThinNET Ethernet as the default configuration with an onboard transceiver. Note that when the Thick Ethernet option # AL9 is specified, an external transceiver is required (available from HP DMK). The Instant Ignition option has also been specified. Looking at the prerequisite for this option # 0DC, we see a note which indicates that this option may not be ordered with a diskless system; since we have ordered a 420MB disked bundle, the prerequisite is satisfied.
- Localization** Finally, we must not forget the required localization kit which provides the correct keyboard, mouse, and power cord for the particular language and electrical requirements. The kit has a separate product number, A1099A, which we must order with the correct localized version, in this case option # ABA.

Ordering Example (continued)

Sample order configuration: High-end Deskside Server (Order Quantity 1)

Model 750 (66MHz CPU) Server (requires terminal) 64MB RAM 2.6GB disk DDS (4mm DAT) tape Network: Thick Ethernet Instant Ignition HP-UX pre-load	Model 750 A1977A # AND # AMG # AM7 # AL9 # 0DC	<i>server 1.3GB disk std config add 48MB to std 16MB add 1.3GB disk to std config add DDS format tape drive select LAN AUI</i>
Required Localization Option (server) North America	power cord # 903	
Required Terminal (server) HP 700/92 Terminal Soft White Display U.S. English	C1001W # ABA	
Terminal Cable	24542G	<i>order from HP DMK</i>

CPU, Graphics Note that most Model 750 systems will be ordered in workstation configurations with graphics subsystems. In this example, a Model 750 server configuration is used to illustrate some of the ordering differences. Turning to the Model 750 page in the price guide, we see different basic Model 750 configurations ordered by graphics subsystem (CRX, PVRX, TVRX, Server). Looking at the choices for Model 750 Server we see two choices, one for a 660MB disk bundle and one for a 1.3GB bundle.

Disk, Memory The correct choice in this case is A1977A, the Model 750 Server 1.3GB disk bundle, to which we will add a factory integrated 1.3GB disk to meet the 2.6GB total disk requirement. Before we order the disk option, let's look at memory. All Series 700 systems come with 16MB RAM standard. In order to arrive at the specified 64MB RAM, we need to select option # AND, from the memory options section of the Model 750 factory integrated options page, which adds 48MB to the standard 16MB. From the next section, internal storage, we select option # AMG for the additional factory integrated 1.3GB disk.

Options For the internal tape drive, we choose option # AM7, also from the internal storage section. Since the existing network is Thick Ethernet, we need to select option # AL9 to have the factory configure the system for Thick Ethernet. Typically, Ethernet network cabling is based on ThinNET, so the Series 700 has ThinNET Ethernet as the default configuration with an onboard transceiver. Note that when the Thick Ethernet option # AL9 is specified, an external transceiver is required (available from HP DMK). For this order, the Instant Ignition option # 0DC is needed to provide the HP-UX pre-load.

Server Options The required localization is a little different for servers. Rather than a separate localization kit with a separate product number as with workstations, an option on the server bundle specifying the correct power cord is required, in this case, option #903. Finally, a terminal must be specified for server configurations (optionally, a server graphics upgrade could be ordered instead of a terminal). Turning to the Model 750 Add-on Options pages, we find the Server Terminal options and choose product number C1001W with option # ABA for U.S. English localization. Note that the terminals require a cable, product number 24542G, that must be ordered separately from HP DMK.

- Introduction to Core Functionality -**Core Functionality – Another Tool to Help You Win Early Sales.**

The Series 700 is being introduced as a leading family PA-RISC workstations, shipping in volume about 12 weeks after introduction. We have made special arrangements to give you the capability of delivery certain configurations earlier than that, to help you win availability-sensitive deals. This capability is known as Core Functionality.

Product Availability and this Guide

This guide contains two main sections: **Core Functionality (color coded pages)** and **Full Functionality (white pages)**. These sections are intended to clearly represent the products that are available for shipment in the months immediately following the introduction of the Series 700. All of the products in this guide will be orderable at introduction. For orders that must ship within the first three months, sell the Core Functionality systems described in this section.

What is “Core Functionality”

Core Functionality describes all Series 700 workstations to be shipped prior to the shipment of HP-UX Release 8.05, scheduled for July. It is intended to clearly denote that these systems, though they contain the complete Series 700 hardware, will be shipping with HP-UX Release 8.01 to provide for quick availability. All of these workstations will automatically receive the update to 8.05 when it is released. For a complete discussion of the capabilities of these systems, please read the remainder of this section.

Core Functionality in this Price Guide

This section of the Price Guide, dealing with Core Functionality, is color coded and perforated to clearly set it off from the sections which describe the systems to be shipped with HP-UX 8.05 in July 1991 and thereafter. A version of this guide which excludes Core Functionality is available for distribution to customers. This careful treatment is intended to avoid confusing customers with technical and availability choices where they are not necessary. At the same time, it should allow you to clearly explain those choices when they are important to a customer's specific situation. When the full functionality systems begin shipping in July, product numbers and options specifically related to the Core Functionality systems will be obsoleted. At that time, this color coded section should be removed from the Price Guide.

When to Use Core Functionality

Sell the Core Functionality systems only when the customer requires shipment within the window between introduction and July 1991.

If the time requirement is not urgent, or the requested shipping date is close to the end of this period, full functionality systems will probably be more desirable. The customer ends up with full functionality in either case, but use of the full functionality system from the beginning avoids a software update, and may allow a more complete configuration to be shipped from the factory. Some hardware and software products and options are not available in the Core Functionality section because they are not available until HP-UX 8.05 ships. Do not order these products in the same section used for a Core Functionality product. They will only delay the entire shipment until they are available. Also note that not all Core Functionality products are available immediately following introduction. Consult the availability guides in this section to determine when a specific product or option will be available. Remember that the product with the latest availability governs the shipment of all items within a single section of your order.

How to Use Core Functionality

If you determine that a Core Functionality system is right for a specific customer situation, order it, and all associated hardware and software from the Core Functionality section. This will ensure that it is not inadvertently delayed by products not available in the Core Functionality period. Explain the Core Functionality constraints and the automatic update to HP-UX 8.05 to the customer, in order to properly set their expectations.

- Introduction to Core Functionality Cont'd -

What You Need To Know About Software On Core Functionality Series 700 Systems

If your customer will not be ordering Core Functionality systems, it is not necessary for you to read any further. Otherwise, please read on. Customers who need quick delivery of the new Series 700 systems will receive Core Functionality systems to allow them to begin working right away. The purpose of this section is to cover the product and ordering anomalies associated with Core Functionality systems.

HP-UX 8.01

Core Functionality systems ship with a core functionality version of HP-UX, called HP-UX 8.01. All model 720 and 730 core systems will ship with Instant Ignition of the HP-UX 8.01 Run-Time environment. This delivers HP-UX 8.01 and VUE 2.01 pre-installed and pre-configured on disk. Also, customers who do in-house development may optionally order Instant Ignition of the C Developer's Bundle, freeing them from the need to install their frequently used development tools. All core functionality systems will also receive the following:

- * License to Use HP-UX (covers 8.01 and 8.05)
- * The HP-UX General User Set of documentation
- * Owner's Guide
- * Free update to HP-UX 8.05 Run-Time Environment

MEDIA

The only software media type available for shipment with Core Functionality systems is DDS format DAT Tape. CD-ROM media for both software and documentation will ship in conjunction with the 8.05 release, currently planned for June. Consequently, Core Functionality work groups should have access to a DAT drive for both software distribution and backup. They are encouraged to transition to CD-ROM over time to take advantage of its many benefits for software distribution and documentation. HP software will NOT be available on cartridge tape for the Series 700.

FREE UPDATE TO HP-UX 8.05

All Core Functionality customers will receive the following:

- * a free update of HP-UX 8.05
- * a free update of purchased layered software that changed between 8.01 and 8.05
- * a free update of bundled and purchased documentation that is new/changed between 8.01 and 8.05

Because core functionality customers are expected to have at least one DAT drive available on site, this update will only be shipped on DDS format DAT media. The update is to be performed by the customer, and all required software and documentation will be provided at no charge. Customers are encouraged to update to 8.05 as soon as they receive their update since support for 8.01 will be curtailed shortly thereafter. Updates will be processed on a per order basis: one update tape per order, or one tape per every ten systems for large orders.

THE HP-UX 8.01 RECOVERY/SUPPORT KIT

For HP-UX 8.01, operating environment media products (DDS/DAT, CD-ROM) are not available since 8.01 is not customer installable. However, the HP-UX 8.01 Recovery/Support Kit (B2380A) provides for the recovery (in the advent of failure) of the initial Instant Ignition environment only. This kit also includes key pieces of documentation. A minimum of one B2380A should be purchased per local work group or per system administrator. As always, it is also strongly recommended that customers create a recovery image and backup of their unique environment as soon as possible, including all applications and customizations.

The HP-UX 8.01 Recovery/Support Kit includes the following items:

- * Recovery images (DDS format DAT media only)
- * System Administration Tasks manual
- * Installing Peripherals manual
- * VUE System Administration manual
- * Owner's Guide

The U.S. list price for this kit is a nominal \$195. It exists primarily to ensure that customers who have system problems are able to quickly and easily get back to work. In addition, it provides key manuals needed for system administration. With 8.05, normal installation media products are available on CD-ROM and DDS/DAT.

- Introduction to Core Functionality Cont'd -

LAYERED SOFTWARE/DOCUMENTATION AVAILABLE WITH HP-UX 8.01

The following layered software products are available with HP-UX 8.01 (current estimated availability dates are in parentheses):

* C/ANSI C	(March)
* FORTRAN	(March)
* PASCAL	(March)
* C++ Run Time	(March)
* C++ Developer's	(March)
* COBOL	(May)
* PHIGS DEVELOPMENT	(March)
* PHIGS RUN-TIME	(March)
* GKS	(March)
* NLIO Japanese, Korean, T.Chinese, S.Chinese	(March)
* NETLS DEVELOPMENT	(March)
* HP-UX 8.01 32 USER UPGRADE	(March)
* HP-UX GENERAL PROGRAMMING TOOLS	(March)
* HP-UX DOCUMENTATION	(March - hardcopy only)
* LSLOCK	(April)
* NCS/NIDL	(April)
* OPEN DIALOGUE DEVELOPER'S KIT	(April)

There are a few manuals which will not ship until 8.05 ships. As indicated in the update section above, all Core customers will automatically receive:

- * All manuals new to 8.05 to which they are entitled based on their Core order for software and documentation,
- * All manuals they receive with their Core system which are changed in conjunction with the 8.05 release.

KEY DIFFERENCES BETWEEN HP-UX 8.01 AND 8.05

Features found in 8.05 not in 8.01 are:

- * no EISA support on 8.01
- * no Diskless capability on 8.01
- * partial System Administration (SAM) support in 8.01
- * no support for Model 750
- * fewer peripherals supported with 8.01
- * no HP-IB support with 8.01 (no 9144/45 tape drives)
- * no CD-ROM software distribution
- * no installation and kernel configuration capability with 8.01
- * limited X-terminal support with 8.01
- * no floppy drive support in 8.01

SEPARATING ORDERS FOR CORE FUNCTIONALITY AND 8.05-based SYSTEMS

When ordering both Core Functionality and 8.05-based systems for a customer, you should enter the orders on separate sections. Also, any layered software to be used with Core Functionality systems should be included in that Core order section. *This will ensure that customers will receive prompt delivery of Core systems and all related software.*



HEWLETT
PACKARD

apollo
systems division

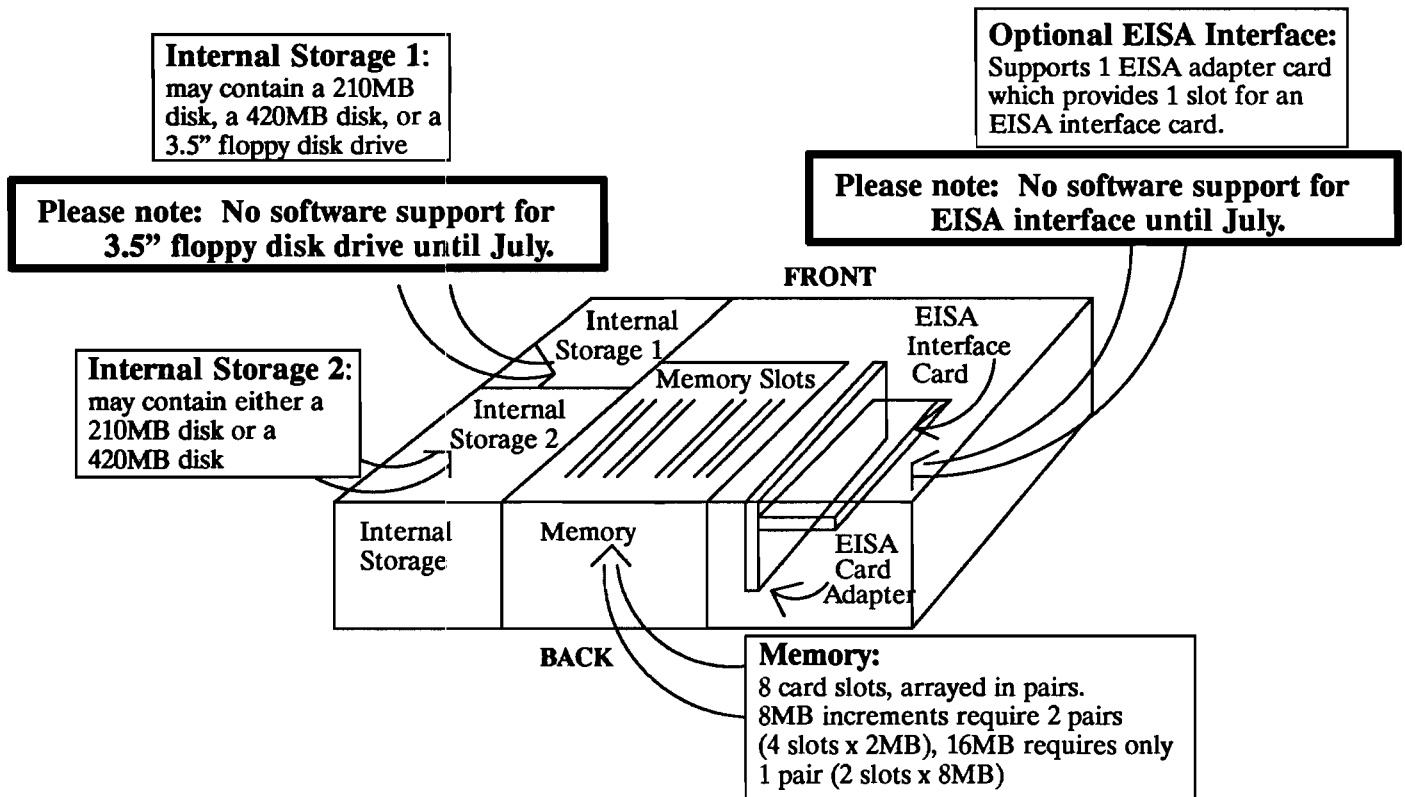
HP Apollo 9000 Series 700

Core Functionality – Model 720 Desktop Workstations

System Standard Features

- 50MHz PA-RISC processor integral with 50MHz floating point processor
- configurable with 16 to 64 MB main memory
- 2 asynchronous RS-232C ports
- 1 Centronics parallel port
- external SCSI II port (support for a total of up to 5 devices – including internal)
- IEEE 802.3 Ethernet LAN interface configured with ThinLAN
- auto selecting power supply 115V/230V
- operating environment: HP-UX 8.01 Run-Time, 2 user license-to-use
- HP-UX 8.01 Run-Time Instant Ignition, 2-user
- documentation (Owner's Guide, General Usage manuals:
 HP VUE User's Guide, Using the X windows System,
 A Beginner's Guide to HP-UX, Finding Information (HP-UX)).
- no-charge update to HP-UX 8.05 (including Run-Time license to use)
- stand and labels for optional deskside use

Core Functionality Model 720 System Options Diagram



Important Note: This Diagram includes some Model 720 options that will not be available immediately. For the availability of factory configured options, consult the Core Functionality Model 720 Factory Configuration Matrix in this section.

CORE FUNCTIONALITY-MODEL 720 WORKSTATIONS

Product Number	Description	Prerequisite	U.S. LIST \$	Next Day Service
Model 720 GRX Grayscale Workstations				
A1936A	GRX, 19" grayscale monitor, 16MB RAM, two 210MB internal SCSI II disks Available options AN8, AND, AL9, 801,	Localization kit see next page	\$15,890.	
A1937A	GRX, 19" grayscale monitor, 16MB RAM, one 420MB internal SCSI II disk Available options AN8, AND, AL9, 801,	Localization kit see next page	\$15,390.	
Model 720 CRX Color 2D/3D Workstations				
A1930A	CRX, 19" color monitor, 16MB RAM, two 210MB internal SCSI II disks Available options AN8, AND, AL9, 801,	Localization kit see next page	\$22,890.	\$24.
A1931A	CRX, 19" color monitor, 16MB RAM, one 420MB internal SCSI II disk Available options AN8, AND, AL9, 801,	Localization kit see next page	\$22,390.	\$74.
Model 720 PVRX Color 3D Workstation				
A1927A	PersonalVRX, 19" color monitor, 16MB RAM, two 210MB internal SCSI II disks Available options AN8, AND, AL9, 801	Localization kit see next page	\$34,890.	\$110.
A1926A	PersonalVRX, 19" color monitor, 16MB RAM, one 420MB internal SCSI II disk Available options AN8, AND, AL9, 801	<i>Better for Windows</i> Localization kit see next page	\$34,390.	\$106.
Model 720 TVRX Color 3D Workstations				
A1938A	TurboVRX T2, 19" color monitor, 16MB RAM, one 420MB internal SCSI II disk Available options AN8, AND, AL9, 801	Localization kit see next page	\$74,390.	
A1939A	TurboVRX T4, 19" color monitor, 16MB RAM, one 420MB internal SCSI II disk Available options AN8, AND, AL9, 801	Localization kit see next page	\$94,390.	



**HEWLETT
PACKARD**

apollo
systems division

HP Apollo 9000 Series 700

CORE FUNCTIONALITY-MODEL 720 FACTORY INTEGRATED OPTIONS

Product Number	Description	Prerequisite	U.S. LIST \$	Next Day Service
----------------	-------------	--------------	--------------	------------------

MEMORY

#AN8	Add 16MB memory for a total of 32MB, factory integrated. <i>Maximum of one factory integrated memory option per workstation. May NOT be ordered concurrently with options AND.</i>		\$5,600.	\$8.
#AND	Add 48MB memory for a total of 64MB, factory integrated. <i>Maximum of one factory integrated memory option per workstation. May NOT be ordered concurrently with options AN8.</i>		\$16,800.	\$24.

OTHER OPTIONS

#AL9	Factory select LAN AUI configuration. <i>This option overrides default ThinNET Ethernet connection.</i>	External Transceiver		N/C
#801	HP-UX 8.01 C/ANSI C Developer's Instant Ignition. <i>Pre-loaded and pre-configured HP-UX 8.01 C/ANSI C Developer's Bundle and HP-UX 8.01 Run-Time Environment, 2-user. Includes License-to-use for one workstation. See description for B2354A.</i> <i>Note: All Core Functionality systems automatically receive instant ignition of HP-UX 8.01 Run-Time.</i>	Requires 420MB internal disk	\$1,870.	

WORKSTATION LOCALIZATION KIT

(MUST ORDER WITH EVERY SERIES 700 WORKSTATION)

A1099A	HP-UX Localization kit. Includes keyboard, mouse and power cord.	Must order localization option.	\$100.		
Localized options #ABA through #AB1 (below)				N/C	
#ABA	U.S. English	#ABK	ICON	#ABW	Belgian Dutch
#ABC	French Canadian	#ABM	Latin Spanish	#ABX	Finnish
#ABD	German	#ABN	Norwegian	#ABY	Danish
#ABE	European	#ABP	Swiss German	#ABZ	Italian
#ABF	European French	#ABQ	Swiss French	#AB0	Taiwan
#ABH	Dutch	#ABS	Swedish	#AB1	Korean
#ABJ	Katakana	#ABU	UK		

22,000
4,000
\$ 18,000



**Core Functionality
Model 720 Factory Configuration Matrix**

(including first availability)

	Memory		Other Options	
	Only one memory option may be ordered per workstation.		No more than one of each available option may be ordered per workstation.	
Option Standard Configuration	AN8 Add 16MB	AND Add 48MB	AL9 LAN-AUI	801 Devel Preload
A1936A GRX 19" grayscale, 16MB, 2x210MB (\$15,890)	April \$5,600	April \$16,800	April N/C	April \$1,870
A1937A GRX 19" grayscale, 16MB, 420MB (\$15,390)	May \$5,600	May \$16,800	May N/C	May \$1,870
A1930A CRX 19" color, 16MB, 2x210MB (\$22,890)	April \$5,600	April \$16,800	April N/C	April \$1,870
A1931A CRX 19" color, 16MB, 420MB (\$22,390)	May \$5,600	May \$16,800	May N/C	May \$1,870
A1927A PVRX 19" 3D color, 16MB, 2x210MB (\$34,890)	March \$5,600	March \$16,800	March N/C	March \$1,870
A1926A PVRX 19" 3D color, 16MB, 420MB (\$34,390)	May \$5,600	May \$16,800	May N/C	May \$1,870
A1938A TVRX 19" 3D color, 16MB, 420MB (\$74,390)	May \$5,600	May \$16,800	May N/C	May \$1,870
A1939A TVRX 19" 3D color, 16MB, 420MB (\$94,390)	May \$5,600	May \$16,800	May N/C	May \$1,870



**HEWLETT
PACKARD**

apollo
systems division

HP Apollo 9000 Series 700

CORE FUNCTIONALITY-MODEL 720 ADD-ON OPTIONS (customer or field installed)

Product Number	Description	Prerequisite	U.S. LIST \$	Next Day Service
MEMORY				
A1979A	16MB RAM add-on See System Configuration Diagram for maximum memory constraints	Series 700	\$5,600	\$8.
*INTERNAL STORAGE				
A1983A	Second 420MB SCSI II Disk	Model 720 w/single internal disk only	\$3,500	\$24.
*EXTERNAL STORAGE				
C2213A	Model 660s Mass Storage System with 660MB SCSI II drive	Model 720 SCSI II interface cable and SCSI II terminator	\$5,175	\$20.
#003	Add 1.3GB DDS (4mm DAT) Tape Drive		\$4,700	\$27.
#004	Add 600MB CD-ROM Drive		\$1,250	\$19.
	<i>Note: No bootable or layered HP software available on CD-ROM until HP-UX 8.05.</i>			
A1999A	600MB CD-ROM Drive standalone <i>Note: No bootable or layered HP software available on CD-ROM until HP-UX 8.05. Must Specify power cord option below:</i>	Model 720	\$1,300	\$21.
	Power Cord options #900 through #919 (below)		N/C	
#900	United Kingdom	#912	Denmark	
#901	Australia, New Zealand	#917	Republic of South Africa, India	
#902	European	#918	Japan	
#903	North America, Taiwan, Korea	#919	Israel	
#906	Switzerland			
C1512A	1.3GB DDS (4mm DAT) Tape Drive standalone	Model 720	\$5,700	\$30.



INSTANT IGNITION RECOVERY/SUPPORT KIT

(Recommended for Workgroups using Core Functionality Systems)

B2380A	HP-UX 8.01 Recovery/Support Kit Includes HP-UX 8.01 recovery/support disk images and documentation (System Administration Tasks manual, Peripherals Installation manual, HP VUE System Administration manual, Owner's Guide).		\$195.	
--------	--	--	--------	--

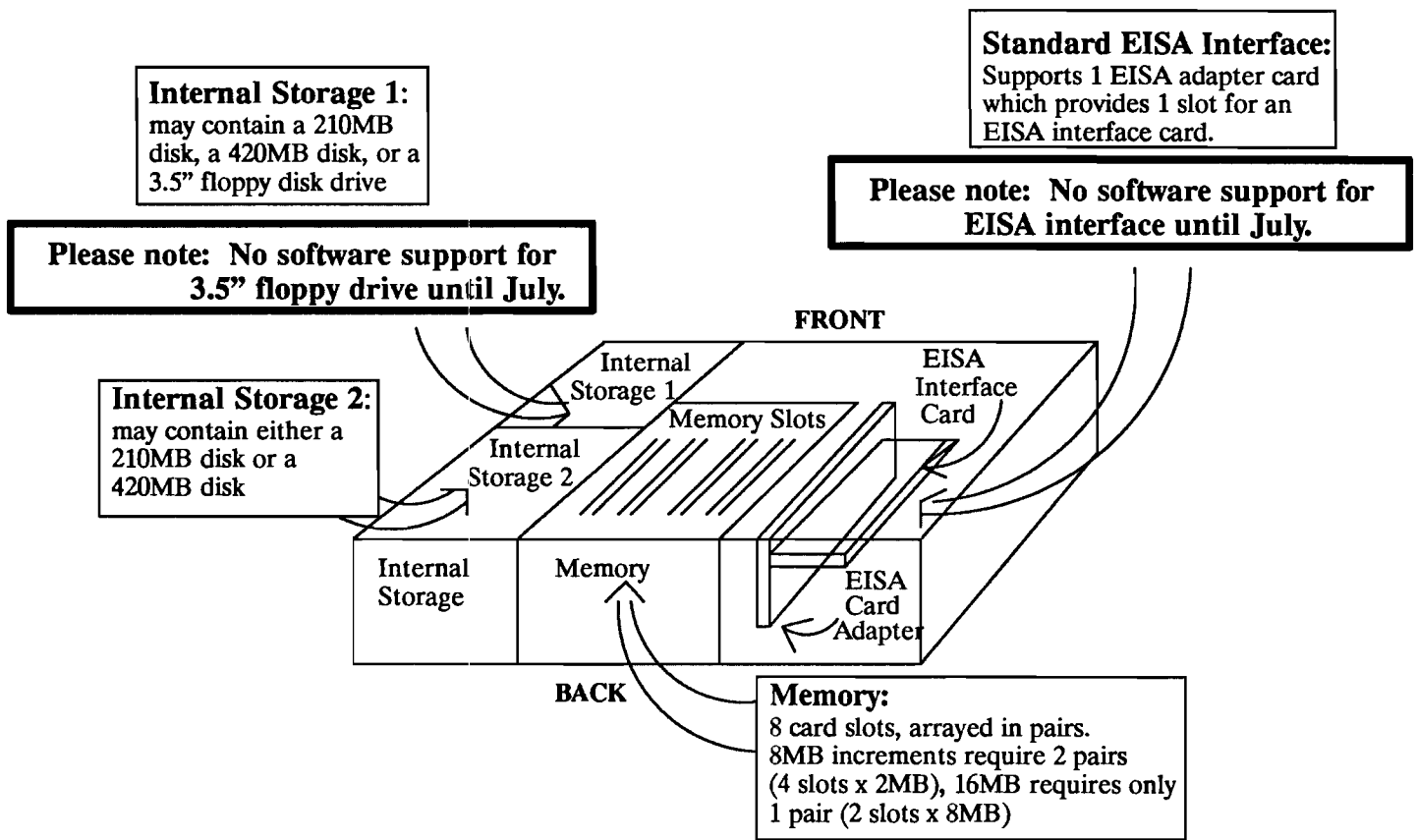
* Note: All HP Apollo 9000 Series 700 storage products comply with the SCSI II specifications. The SCSI II specification allows for a variety of implementations, and HP uses this variety to achieve the range of price/performance required by our customers.

Core Functionality - Model 730 Midrange Desktop Workstations

System Standard Features

- 66MHz PA-RISC processor integrated with 66MHz floating point processor
- configurable with 16 to 64 MB main memory
- 2 asynchronous RS-232C ports
- 1 Centronics parallel port
- external SCSI II port (support for a total of up to 5 devices - including internal)
- IEEE 802.3 Ethernet LAN interface configured with ThinLAN
- includes 32-bit EISA bus (1 slot - software support starts at 8.05)
- auto selecting power supply 115V/230V
- operating environment: HP-UX 8.01 Run-Time, 2 user license-to-use
- HP-UX 8.01 Run-Time Instant Ignition, 2-user
- documentation (Owner's Guide, General Usage manuals:
HP VUE User's Guide, Using the X windows System,
A Beginner's Guide to HP-UX, Finding Information (HP-UX)).
- no-charge update to HP-UX 8.05 (including Run-Time license to use)
- stand and labels for optional deskside use

Core Functionality Model 730 System Options Diagram



Important Note: This Diagram includes some Model 730 options that will not be available immediately. For the availability of factory configured options, consult the Core Functionality Model 730 Factory Configuration Matrix in this section.

CORE FUNCTIONALITY-MODEL 730 WORKSTATIONS

Product Number	Description	Prerequisite	U.S. LIST'S	Next Day Service
Model 730 GRX Grayscale Workstations				
A1958A	GRX, 19" grayscale monitor, 16MB RAM, two 210MB internal SCSI II disks Available options AN8, AND, AL9, 801	42186 EXRAX	Localization kit see next page	\$21,890. \$70.
A1959A	GRX, 19" grayscale monitor, 16MB RAM, one 420MB internal SCSI II disk Available options AN8, AND, AL9, 801	41222 (92.72)	Localization kit see next page	\$21,390. \$66.
Model 730 CRX Color 2D/3D Workstations				
A1947A	CRX, 19" color monitor, 16MB RAM, two 210MB internal SCSI II disks Available options AN8, AND, AL9, 801	55677 (92.72)	Localization kit see next page	\$28,890. \$84.
A1948A	CRX, 19" color monitor, 16MB RAM, one 420MB internal SCSI II disk Available options AN8, AND, AL9, 801	54713	Localization kit see next page	\$28,390. \$80.
Model 730 PVRX Color 3D Workstation				
A1952A	PersonalVRX, 19" color monitor, 16MB RAM, two 210MB internal SCSI II disks Available options AN8, AND, AL9, 801		Localization kit see next page	\$40,890. \$117.
A1953A	PersonalVRX, 19" color monitor, 16MB RAM, one 420MB internal SCSI II disk Available options AN8, AND, AL9, 801		Localization kit see next page	\$40,390. \$113.
Model 730 TVRX Color 3D Workstations				
A1960A	TurboVRX T2, 19" color monitor, 16MB RAM, one 420MB internal SCSI II disk Available options AN8, AND, AL9, 801		Localization kit see next page	\$80,390. \$210.
A1965A	TurboVRX T4, 19" color monitor, 16MB RAM, one 420MB internal SCSI II disk Available options AN8, AND, AL9, 801		Localization kit see next page	\$100,390. \$290.



**HEWLETT
PACKARD**

apollo
systems division

HP Apollo 9000 Series 700

CORE FUNCTIONALITY-MODEL 730 FACTORY INTEGRATED OPTIONS

Product Number	Description	Prerequisite	U.S. LIST \$	Next Day Service
----------------	-------------	--------------	--------------	------------------

MEMORY

#AN8	Add 16MB memory for a total of 32MB, factory integrated. <i>Maximum of one factory integrated memory option per workstation. May NOT be ordered concurrently with options AND.</i>		\$5,600.	\$8.
#AND	Add 48MB memory for a total of 64MB, factory integrated. <i>Maximum of one factory integrated memory option per workstation. May NOT be ordered concurrently with options AN8.</i>		\$16,800.	\$24.

OTHER OPTIONS

#AL9	Factory select LAN AUI configuration. <i>This option overrides default ThinNET Ethernet connection.</i>	External Transceiver		N/C
#801	HP-UX 8.01 C/ANSI C Developer's Instant Ignition. <i>Pre-loaded and pre-configured HP-UX 8.01 C/ANSI C Developer's Bundle and HP-UX 8.01 Run-Time Environment, 2-user. Includes License-to-use for one workstation. See description for B2354A.</i>	Requires 420MB internal disk	\$1,870.	

WORKSTATION LOCALIZATION KIT

(MUST ORDER WITH EVERY SERIES 700 WORKSTATION)

A1099A	HP-UX Localization kit. Includes keyboard, mouse and power cord.	Must order localization option.	\$100.	
--------	--	---------------------------------	--------	--

Localized options #ABA through #AB1 (below)

#ABA	U.S. English	#ABK	ICON	#ABW	Belgian Dutch
#ABC	French Canadian	#ABM	Latin Spanish	#ABX	Finnish
#ABD	German	#ABN	Norwegian	#ABY	Danish
#ABE	European	#ABP	Swiss German	#ABZ	Italian
#ABF	European French	#ABQ	Swiss French	#AB0	Taiwan
#ABH	Dutch	#ABS	Swedish	#AB1	Korean
#ABJ	Katakana	#ABU	UK		

**Core Functionality
Model 730 Factory Configuration Matrix
(including first availability)**

Option Standard Configuration	Memory		Other Options	
	AN8 Add 16MB	AND Add 48MB	AL9 LAN- AUI	801 Devel Preload
A1958A GRX 19" grayscale, 16MB, 2x210MB (\$21,890)	May \$5,600	May \$16,800	May N/C	May \$1,870
A1959A GRX 19" grayscale, 16MB, 420MB (\$21,390)	May \$5,600	May \$16,800	May N/C	May \$1,870
A1947A CRX 19" color, 16MB, 2x210MB (\$28,890)	May \$5,600	May \$16,800	May N/C	May \$1,870
A1948A CRX 19" color, 16MB, 420MB (\$28,390)	May \$5,600	May \$16,800	May N/C	May \$1,870
A1952A PVRX 19" 3D color, 16MB, 2x210MB (\$40,890)	May \$5,600	May \$16,800	May N/C	May \$1,870
A1953A PVRX 19" 3D color, 16MB, 420MB (\$40,390)	May \$5,600	May \$16,800	May N/C	May \$1,870
A1960A TVRX 19" 3D color, 16MB, 420MB (\$80,390)	May \$5,600	May \$16,800	May N/C	May \$1,870
A1965A TVRX 19" 3D color, 16MB, 420MB (\$100,390)	May \$5,600	May \$16,800	May N/C	May \$1,870



HEWLETT
PACKARD

apollo
systems division

HP Apollo 9000 Series 700

CORE FUNCTIONALITY - MODEL 730 ADD-ON OPTIONS (customer or field installed)

Product Number	Description	Prerequisite	U.S. LIST \$	Next Day Service
----------------	-------------	--------------	--------------	------------------

MEMORY

A1979A	16MB RAM add-on See System Configuration Diagram for maximum memory constraints	Series 700	\$5,600.	\$8.
--------	--	------------	----------	------

*INTERNAL STORAGE

A1983A	Second 420MB SCSI II Disk	Model 730 w/single internal disk only	\$3,500.	\$24.
--------	---------------------------	--	----------	-------

*EXTERNAL STORAGE

C2213A	Model 660s Mass Storage System with 660MB SCSI II drive	SCSI II interface cable and SCSI II terminator	\$5,175.	\$20.
--------	---	--	----------	-------

#003	Add 1.3GB DDS (4mm DAT) Tape Drive		\$4,700.	\$27.
#004	Add 600MB CD-ROM Drive		\$1,250.	\$19.

Note: No bootable or layered HP software available on CD-ROM until HP-UX 8.05.

A1999A	600MB CD-ROM Drive standalone <i>Note: No bootable or layered HP software available on CD-ROM until HP-UX 8.05. Must Specify power cord option below:</i>	Model 730	\$1,300	\$21.
--------	--	-----------	---------	-------

Power Cord options #900 through #919 (below) N/C

#900	United Kingdom	#912	Denmark
#901	Australia, New Zealand	#917	Republic of South Africa, India
#902	European	#918	Japan
#903	North America, Taiwan, Korea	#919	Israel
#906	Switzerland		

C1512A	1.3GB DDS (4mm DAT) Tape Drive standalone		\$5,700.	\$30.
--------	---	--	----------	-------

INSTANT IGNITION RECOVERY/SUPPORT KIT

(Recommended for Workgroups using Core Functionality Systems)

B2380A	HP-UX 8.01 Recovery/Support Kit Includes IIP-UX 8.01 recovery/support disk images and documentation (System Administration Tasks manual, Peripherals Installation manual, HP VUE System Administration manual, Owner's Guide).		\$195.	
--------	---	--	--------	--

* Note: All HP Apollo 9000 Series 700 storage products comply with the SCSI II specifications. The SCSI II specification allows for a variety of implementations, and HP uses this variety to achieve the range of price/performance required by our customers.



**HEWLETT
PACKARD**

apollo
systems division

HP Apollo 9000 Series 700

PERIPHERALS

Product Number	Description	Prerequisite	U.S. LIST \$	Next Day Service
LASER PRINTERS				
33449A	HP LaserJet III printer with RS232-C and Centronics parallel interfaces.	Requires cable see cable chart	\$2,395.	\$22.
COLOR INK JET PRINTERS				
C1602A	HP PaintJet XL color graphics printer. User's guide, set up guide, supplies and power cord included. <i>Must specify option</i>	Requires cable see cable chart	\$2,495.	\$6.
#1AX	HP PaintJet XL color graphics printer with RS232-C and Centronics parallel interfaces.		N/C	
IMPACT PRINTERS				
2562C	Line Matrix printer <i>Must order option #053</i>	Requires cable see cable chart	\$5,500.	\$46.
#053	Centronics interface subsystem.		\$150.	
2563C	Impact printer - 420 lpm <i>Must order option #053</i>	Requires cable see cable chart	\$8,490.	\$50.
#053	Centronics interface subsystem.		\$200.	
2564C	Impact printer - 840 lpm <i>Must order option #053</i>	Requires cable see cable chart	\$13,490.	\$81.
#053	Centronics interface subsystem.		\$200.	
2566C	Impact printer - 1200 lpm <i>Must order option #053</i>	Requires cable see cable chart	\$26,950.	\$190.
#053	Centronics interface subsystem.		\$385.	
2567C	Impact printer - 1600 lpm <i>Must order option #053</i>	Requires cable see cable chart	\$34,000.	\$201.
#053	Centronics interface subsystem.		\$385.	

PERIPHERALS Cont'd

Product Number	Description	Prerequisite	U.S. LIST \$	Next Day Service
----------------	-------------	--------------	--------------	------------------

ELECTROSTATIC PLOTTERS

C1620A	HP 7600 Series Model 355, color electrostatic plotter. <i>Must specify localization option.</i>	Requires cable see cable chart	\$49,900.	\$206.
--------	--	-----------------------------------	-----------	--------

PEN PLOTTERS

7550B	HP 7550 Plus plotter for A/B-size. <i>Must specify option #005.</i>	Requires cable see cable chart	\$3,995.	\$15.
#005	Serial Interface		\$200.	
7576A	HP DraftPro EXL plotter for A through E-size, 8-pen plotter. RS232-C interface standard.	Requires cable see cable chart	\$6,495.	\$11.

HP-HIL DEVICES (HP-UX)

46084A	HP-HIL ID Module.		\$200.	
46085A	HP-HIL Control Dial Module. 9 user definable RPG knobs		\$1,450.	
46086A	HP-HIL button box with 32 keys		\$965.	
46021A	HP-HIL U.S. Keyboard. For use with HP-HIL interface. Keyboard cable included when ordering with a system or terminal. When ordered alone a 46020-60001 must also be added.		\$185.	
46060B	HP-HIL 3 button mouse		\$180.	
M1309A	HP-HIL 3 button Trackball input device.		\$302.	
45911C	HP-HIL Digitizer, 11" x 11". Includes stylus, 4-button cursor, HP-HIL cable, overlay hold-down protector and user manual.		\$599.	\$3.
46088C	HP-HIL Digitizer, ANSI B/ISO A3 size. Includes tip-switch stylus.		\$1,405.	\$16.

CORE FUNCTIONALITY SOFTWARE

Product Number	Description	U.S. LIST \$
----------------	-------------	--------------

HP-UX 8.01 RUN-TIME ENVIRONMENT

B2359A	HP-UX 8.01 Run-Time Environment, 32-user License-to-use HP-UX 8.01 runtime environment, 32 user. <i>Note:</i> capability limited by physical connections available. Customer will receive update to 32 user HP-UX 8.05 Run-Time environment when available	\$1,895.
#AAH	Provides software on DDS (4mm DAT) tape.	\$195.

DOCUMENTATION

B2355A	HP-UX Documentation. Documentation is available on CD-ROM or in hardcopy form.	
#0BD	General Usage. Includes hardcopy general user's guides for HP-UX, HP VUE, and X windows. <i>NOTE: this set is shipped with each HP-UX workstation.</i>	\$130.
#0BE	HP-UX System Administration and Installation. Includes hardcopy administration and installation manuals for HP-UX, networking, and HP VUE.	\$650.
#0BF	General Programming. Includes hardcopy manuals for assembler, device I/O, native language support and general HP-UX programming techniques.	\$325.
#0BG	HP-UX User's Guides. Includes hardcopy manual for UUCP, mail, text formatting/processing, shells and editors.	\$175.
#0BL	User Environment. Includes hardcopy programming manuals for X Tollokit, Intrinsics, Xlib, HP VUE and OSF/Motif.	\$695.
#0BM	Starbase. Includes hardcopy programming manuals for Starbase, Starbase Display List, and Radiosity . an Ray Tracing	\$975.
#0BT	C/ANSI C. Includes Hardcopy manuals for C/ANSI C and symbolic debugger.	\$195.

RECOVERY/SUPPORT KIT

B2380A	HP-UX 8.01 Recovery/Support Kit Includes HP-UX 8.01 recovery/support disk images and documentation (System Administration Tasks manual, Peripherals Installation manual, HP VUE System Administration manual, Owner's Guide).	\$195.
---------------	---	---------------

DEVELOPMENT PRODUCTS

C/ANSI C Developer's Bundle available via instant ignition option #0DE

B2357A	HP-UX General Programming Tools. Includes site license-to-use General Programming and version control commands.	
#AAH	Provides software on DDS (4mm DAT) tape.	\$195.

CORE FUNCTIONALITY SOFTWARE Cont'd

Product Number	Description	U.S. LIST \$
DEVELOPMENT PRODUCTS Cont'd		
B2402A	HP C++ License-to-use HP C++ compiler, based on AT&T's 2.1 version for Series 700. <i>Requires prior or concurrent purchase of C++ media/manual product (B2403A).</i> <i>Prerequisites:</i> Must specify a minimum of one license-to-use option below:	
#0AN	License-to-use HP C++ version 2.1 on one (1) seat.	\$1,700.
#0A9	License-to-use HP C++ version 2.1 on ten (10) seats.	\$13,600.
#0AG	License-to-use HP C++ version 2.1 on twenty-five (25) seats.	\$29,750.
#0AA	License-to-use HP C++ version 2.1 on fifty (50) seats.	\$51,000.
B2403A	HP C++ media and manuals HP C++ media and manuals (B2402A) on Series 700. HP C++ compatible with HP-UX 8.01 and later releases. Must specify media option.	
#AAH	Provides software on DDS (4mm DAT) tape.	\$240.
#0BJ	Hardcopy manuals HP C++	\$195.
B2406A	HP C++ Developer License-to-use HP C++ Developer Browsing and Construction Tool for Series 700.	
#0AN	License-to-use HP C++ version 2.1 on one (1) seat.	\$2,000.
#0A9	License-to-use HP C++ version 2.1 on ten (10) seats.	\$18,000.
#0AG	License-to-use HP C++ version 2.1 on twenty-five (25) seats.	\$37,500.
#0AA	License-to-use HP C++ version 2.1 on fifty (50) seats.	\$60,000.
B2407A	HP C++ Developer media and manuals HP C++ Developer and manuals (B2406A) on Series 700.	
#AAH	Provides software on DDS (4mm DAT) tape.	\$195.
B2408A	Fortran 77 License-to-use Fortran for one Series 700 workstation.	\$1,800.
#AAH	Provides software on DDS (4mm DAT) tape.	\$195.
#0BJ	Hardcopy manuals Fortran 77	\$195.
B2413A	C/ANSI License-to-use C/ANSI C for one Series 700 workstation.	\$1,500.
#AAH	Provides software on DDS (4mm DAT) tape.	\$195.
#0BJ	Hardcopy manuals C/ANSI C	\$195.
B2414A	Pascal License-to-use Pascal for one Series 700 workstation.	\$1,500.
#AAH	Provides software on DDS (4mm DAT) tape.	\$195.
#0BJ	Hardcopy manuals Pascal	\$195.



CORE FUNCTIONALITY SOFTWARE Cont'd

Product Number	Description	U.S. LIST \$
GRAPHICS		
B2361A	HP-GKS Libraries License-to-use HP-GKS graphics library for one Series 700 workstation HP-UX version 8.01.	\$1,500.
#AAH	Provides software on DDS (4mm DAT) tape.	\$195.
#0BJ	Hardcopy manuals HP-GKS	\$300.
B2363A	HP-PHIGS 2.1 Development Libraries License-to-use HP-PHIGS 2.1 development libraries for one Series 700 workstation. For use with HP-UX version 8.01 & 8.05. Supports PersonalVRX only. Order only with Core Funtionality PersonalVRX configurations, for TurboVRX and CRX, see B2363B	\$3,400.
#AAH	Provides software on DDS (4mm DAT) tape.	\$195.
#0BJ	Hardcopy manual HP-PHIGS 2.1	\$350.
B2364A	HP-PHIGS 2.1 Run-Time Libraries License-to-use HP-PHIGS 2.1 Run-Time product for one Series 700 workstation. For use with HP-UX version 8.01 & 8.05. Supports PersonalVRX only. Order only with Core Funtionality PersonalVRX configurations, for TurboVRX and CRX, see B2364B	\$500.
#AAH	Provides software on DDS (4mm DAT) tape.	\$195.
B2363B	HP-PHIGS 2.11 Development Libraries License-to-use HP-PHIGS 2.11 development libraries for one Series 700 workstation. For use with HP-UX version 8.01 & 8.05. Supports PersonalVRX, TurboVRX and CRX.	\$3,400.
#AAH	Provides software on DDS (4mm DAT) tape.	\$195.
#0BJ	Hardcopy manual	\$350.
B2364B	HP-PHIGS 2.11 Run-Time Libraries License-to-use HP-PHIGS 2.11 Run-Time product for one Series 700 workstation. For use with HP-UX version 8.01 & 8.05. Supports PersonalVRX, TurboVRX and CRX.	\$500.
#AAH	Provides software on DDS (4mm DAT) tape.	\$195.

CORE FUNCTIONALITY SOFTWARE Cont'd

Product Number	Description	U.S. LIST \$
OTHER		
B2144A	LSLOCK HP Binary for Series 700. Licensing Software Products and Managing Software Products with the Network License System.	\$4,808.
#AAH #0BJ	Provides software on DDS (4mm DAT) tape. Hardcopy manuals LSLOCK	\$195. \$47.
B2673A	Open Dialogue Developer's Kit for Series 700. License-to-use Open Dialogue Developer's Kit on one Series 700 workstation.	\$1,845.
#AAH #0BJ	Provides software on DDS (4mm DAT) tape. Hardcopy manuals en Dialogue Developer's Kit	\$195. \$75.
B2674A	NCS/NIDL for Series 700. License-to-use NIDL compiler on one Series 700 workstation.	\$860.
#AAH #0BJ	Provides software on DDS (4mm DAT) tape. Hardcopy manuals NIDL	\$195. \$150.

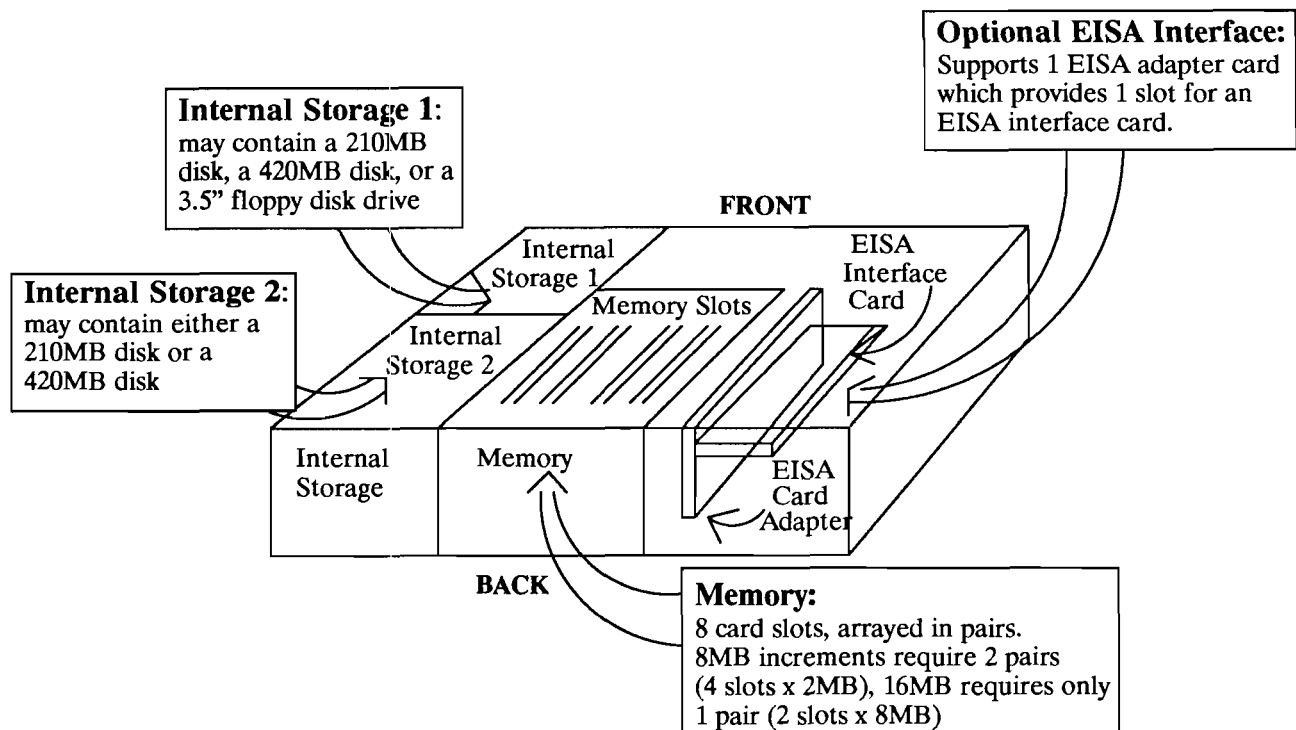
Model 720 Desktop Workstations

System Standard Features

- 50MHz PA-RISC processor integral with 50MHz floating point processor
- delivers 55.5 SPECmarks, 57 MIPS, and 17 MFLOPS
- configurable with 16 to 64 MB main memory
- configurable with a maximum of 2 internal 3.5" storage devices
- 2 asynchronous RS-232C ports
- 1 Centronics parallel port
- external SCSI II port (support for a total of up to 7 devices - including internal)
- IEEE 802.3 Ethernet LAN interface configured with ThinLAN
- optional EISA bus (1 slot)
- auto selecting power supply 115V/230V
- operating environment: HP-UX 8.05 Run-Time, 2 user license-to-use
- documentation (Owner's Guide and General Usage manuals:
 HP VUE User's Guide, Using the X windows System,
 A Beginner's Guide to HP-UX, Finding Information (HP-UX)).
- stand and labels for optional desktide use



Model 720 System Options Diagram



MODEL 720 PA-RISC WORKSTATIONS/SERVER

Product Number	Description	Prerequisite	U.S. LIST \$	Next Day Service
----------------	-------------	--------------	--------------	------------------

Model 720 GRX Grayscale Workstations

A1928A	GRX, 19" grayscale monitor, 16MB RAM, diskless Available options AN4, AN8, AND, AM0, AMB ALD, AL9, 0DC <i>If ordering option "0DC" you must also order "AM0" (210MB)</i> <i>Connection to a server is recommended for adequate user file space.</i>	Localization Kit See next page	\$11,890.	\$36.
A1929A	GRX, 19" grayscale monitor, 16MB RAM, one 420MB internal SCSI II disk Available options AN4, AN8, AND, AMH, AMB ALD, AL9, 0DC, 0DE	Localization Kit See next page	\$15,390.	\$60.

Model 720 CRX Color 2D/3D Workstations

A1932A	CRX, 19" color monitor, 16MB RAM, diskless Available options AN4, AN8, AND, AM0, AMB ALD, AL9, 0DC <i>If ordering option "0DC" you must also order "AM0" (210MB)</i> <i>Connection to a server is recommended for adequate user file space.</i>	Localization Kit See next page	\$18,890.	\$50.
A1933A	CRX, 19" color monitor, 16MB RAM, one 420MB internal SCSI II disk Available options AN4, AN8, AND, AMH, AMB ALD, AL9, 0DC, 0DE	Localization Kit See next page	\$22,390	\$74.

Model 720 PVRX Color 3D Workstation

A1935A	PersonalVRX, 19" color monitor, 16MB RAM, one 420MB internal SCSI II disk Available options AN4, AN8, AND, AMH, AMB ALD, AL9, 0DC, 0DE	Localization Kit See next page	\$34,390.	\$106.
--------	---	-----------------------------------	-----------	--------

Model 720 TVRX Color 3D Workstations

A1941A	TurboVRX T2, 19" color monitor, 16MB RAM, one 420MB internal SCSI II disk Available options AN4, AN8, AND, AMH, AMB ALD, AL9, 0DC, 0DE	Localization Kit See next page	\$74,390	\$203.
A1943A	TurboVRX T4, 19" color monitor, 16MB RAM, one 420MB internal SCSI II disk Available options AN4, AN8, AND, AMH, AMB ALD, AL9, 0DC, 0DE	Localization Kit See next page	\$94,390.	\$284.

Model 720 Server

A1944A	16MB RAM, one 420MB internal SCSI II disk, one EISA bus interface (1 slot) Available options AN4, AN8, AND, AMH, AMB AL9, 0DC, 0DE 900, 901, 902, 903, 906, 912, 917, 918, 919	Must order power cord option below. <i>Requires terminal or graphics subsystem see add-on section</i>	\$15,990.	\$50.
--------	--	--	-----------	-------

Sever Power Cord options #900 through #919 (below)

#900	United Kingdom	#912	Denmark
#901	Australia, New Zealand	#917	Republic of South Africa, India
#902	European	#918	Japan
#903	North America, Taiwan, Korea	#919	Israel
#906	Switzerland		

N/C

MODEL 720 FACTORY INTEGRATED OPTIONS

Product Number	Description	Prerequisite	U.S. LIST \$	Next Day Service
Memory				
#AN4	Add 8MB memory for a total of 24MB, factory integrated. <i>Maximum of one factory integrated memory option per workstation. May NOT be ordered concurrently with options AN8 or AND.</i>		\$2,800.	\$4.
#AN8	Add 16MB memory for a total of 32MB, factory integrated. <i>Maximum of one factory integrated memory option per workstation. May NOT be ordered concurrently with options AN4 or AND.</i>		\$5,600.	\$8.
#AND	Add 48MB memory for a total of 64MB, factory integrated. <i>Maximum of one factory integrated memory option per workstation. May NOT be ordered concurrently with options AN4 or AN8.</i>		\$16,800.	\$24.
Internal Storage				
<i>Note: All HP Apollo 9000 Series 700 storage products comply with the SCSI II specifications. The SCSI II specification allows for a variety of implementations, and HP uses this variety to achieve the range of price/performance required by our customers.</i>				
#AM0	Add 210MB SCSI II disk drive, factory integrated. <i>Maximum of one option AM0 per workstation.</i>	Model 720 diskless systems	\$2,000.	\$14.
#AMH	Add Second 420MB SCSI II disk drive, factory integrated. <i>Maximum of one option AMH per workstation. May NOT be ordered concurrently with option AMB.</i>	Model 720 system w/single 420MB internal disk.	\$3,500.	\$24.
#AMB	Add 1.4MB 3.5" SCSI II floppy disk drive, factory integrated	Model 720 with no more than one disk	\$500.	\$8
EISA Options				
#ALD	Add one EISA Interface slot, factory integrated. <i>Maximum of one option ALD per workstation.</i>		\$1,500.	
#ALE	Add EISA SCSI II Host Adapter <i>May not be ordered with #ALF or #ALG.</i>	Model 720 w/EISA upgrade	\$1,195.	
#ALF	Add EISA HP-IB Host Adapter <i>May not be ordered with #ALE or #ALG.</i>	Model 720 w/EISA upgrade	\$1,195.	
#ALG	Add EISA LAN/9000 <i>May not be ordered with #ALE or #ALF.</i>	Model 720 w/EISA upgrade	\$1,395.	
Other Options				
#AL9	Factory select LAN AUI configuration. This option overrides default ThinNET Ethernet connection.	External Transceiver	N/C	
#0DC	HP-UX 8.05 Run-Time Instant Ignition, 2-user Pre-loaded and pre-configured HP-UX 8.05 Run-Time Environment.	May not be ordered with a diskless system.	\$75.	
#0DE	HP-UX 8.05 C/ANSI C Developer's Instant Ignition. Pre-loaded and pre-configured HP-UX 8.05 C/ANSI C Developer's Bundle and HP-UX 8.05 Run-Time Environment, 2-user. Includes license-to-use for one workstation. See description B2354A. <i>Note: #0DC not required.</i>	Requires minimum of 420MB disk	\$1,870.	

MODEL 720 FACTORY INTEGRATED OPTIONS

Product Number	Description	Prerequisite	U.S. LIST \$	Next Day Service
----------------	-------------	--------------	--------------	------------------

WORKSTATION LOCALIZATION KIT

(MUST ORDER WITH EVERY SERIES 700 WORKSTATION)

A1099A	HP-UX Localization kit. Includes keyboard, mouse and power cord.	Must order localization option.	\$100.
--------	--	---------------------------------	--------

Localized options #ABA through #AB1 (below)

N/C

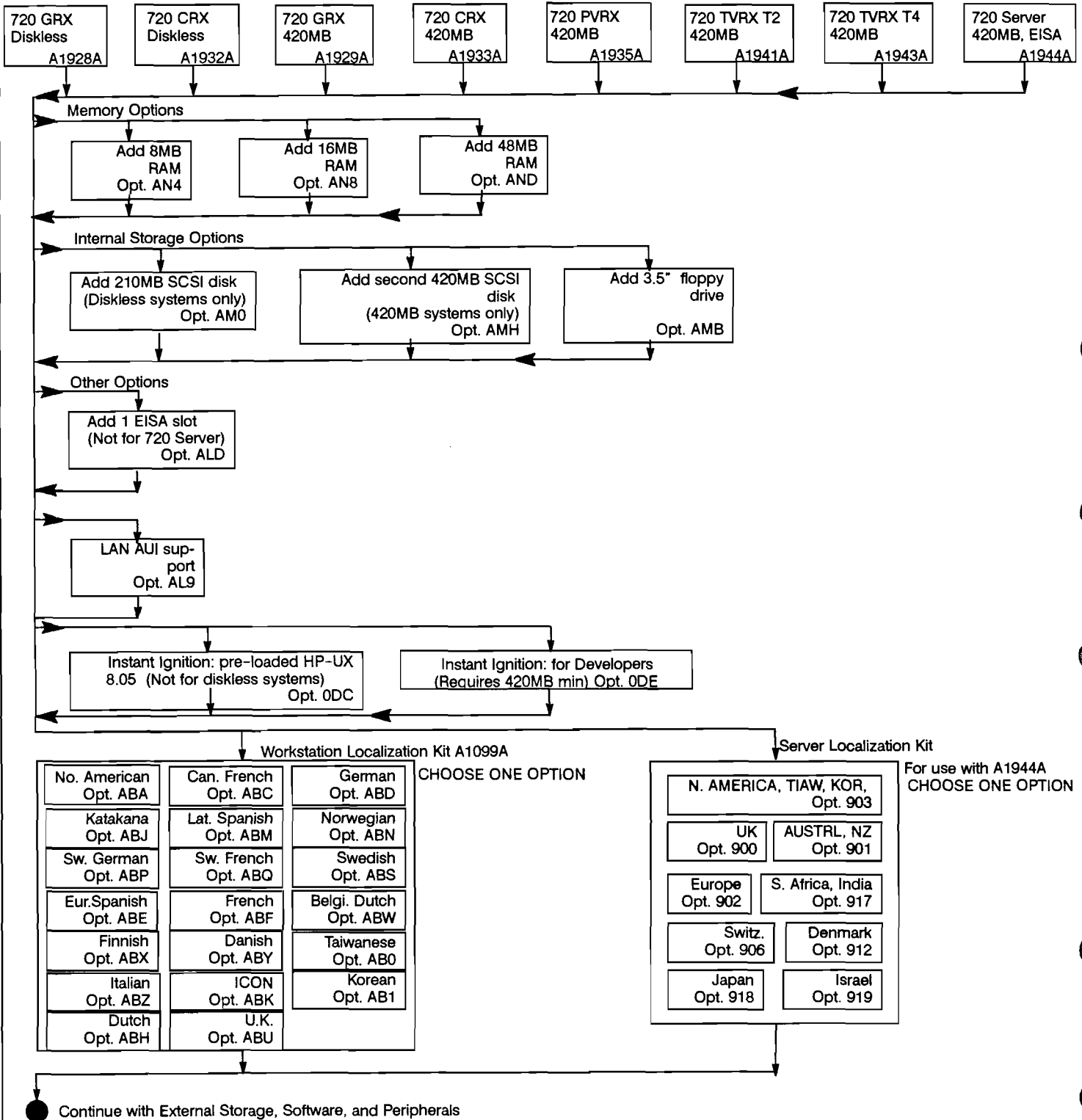
#ABA	U.S. English	#ABK	ICON	#ABW	Belgian Dutch
#ABC	French Canadian	#ABM	Latin Spanish	#ABX	Finnish
#ABD	German	#ABN	Norwegian	#ABY	Danish
#ABE	European	#ABP	Swiss German	#ABZ	Italian
#ABF	European French	#ABQ	Swiss French	#AB0	Taiwan
#ABH	Dutch	#ABS	Swedish	#AB1	Korean
#ABJ	Katakana	#ABU	UK		

Model 720 Factory Integrated Configuration Matrix

Option Standard Configuration	Memory			Internal Storage			EISA Interface Options				Other Options		
	AN4 Add 8MB	AN8 Add 16MB	AN8 Add 48MB	AM0 210MB Disk	AMH 420MB Disk	AMB 1.4MB Floppy	ALD EISA Slot	ALE EISA SCSI II Adapter	ALF EISA HP-IB Adapter	ALG EISA LAN Card	AL9 LAN- AUI	0DC HP-UX Preload	ODE Devel Preload
A1928A GRX 19" grayscale, 16MB, diskless (\$11,890)	\$2,800	\$5,600	\$16,800	\$2,000		\$500	\$1,500	\$1,195	\$1,195	\$1,395	N/C	must order option AM0 see Note \$75	
A1929A GRX 19" grayscale, 16MB, 420MB (\$15,390)	\$2,800	\$5,600	\$16,800		options may not be ordered together \$3,500	\$500	\$1,500	\$1,195	\$1,195	\$1,395	N/C	options may not be ordered together \$75	\$1,870
A1932A CRX 19" color, 16MB, diskless (\$18,890)	\$2,800	\$5,600	\$16,800	\$2,000		\$500	\$1,500	\$1,195	\$1,195	\$1,395	N/C	must order option AM0 see Note \$75	
A1933A CRX 19" color, 16MB, 420MB (\$22,390)	\$2,800	\$5,600	\$16,800		options may not be ordered together \$3,500	\$500	\$1,500	\$1,195	\$1,195	\$1,395	N/C	options may not be ordered together \$75	\$1,870
A1935A PVRX 19" 3D color 16MB, 420MB (\$34,390)	\$2,800	\$5,600	\$16,800		options may not be ordered together \$3,500	\$500	\$1,500	\$1,195	\$1,195	\$1,395	N/C	options may not be ordered together \$75	\$1,870
A1941A TVRX 19" 3D color 16MB, 420MB (\$74,390)	\$2,800	\$5,600	\$16,800		options may not be ordered together \$3,500	\$500	\$1,500	\$1,195	\$1,195	\$1,395	N/C	options may not be ordered together \$75	\$1,870
A1943A TVRX 19" 3D color, 16MB, 420MB (\$94,390)	\$2,800	\$5,600	\$16,800		options may not be ordered together \$3,500	\$500	\$1,500	\$1,195	\$1,195	\$1,395	N/C	options may not be ordered together \$75	\$1,870
A1944A Server, EISA, 16MB, 420MB (\$15,990)	\$2,800	\$5,600	\$16,800		options may not be ordered together \$3,500	\$500		\$1,195	\$1,195	\$1,395	N/C	options may not be ordered together \$75	\$1,870

Note: Option 0DC may only be ordered for Standard Configurations A1928A and A1932A in conjunction with Option AM0. These configurations are recommended only where connection to a server can provide adequate user file space.

Model 720 Workstations & Servers - Factory Configurations



MODEL 720 ADD-ON OPTIONS (customer or field installed)

Product Number	Description	Prerequisite	U.S. LIST \$	Next Day Service
MEMORY				
A1978A	8MB RAM add-on See System Configuration Diagram for maximum memory constraints	Series 700	\$2,800.	\$4.
A1979A	16MB RAM add-on See System Configuration Diagram for maximum memory constraints	Series 700	\$5,600.	\$8.
*INTERNAL STORAGE				
A1980A	210MB internal SCSI II disk	Model 720 diskless systems	\$2,000.	\$14.
A1981A	Second 210MB SCSI II Disk	Model 720 w/single internal disk only	\$2,000.	\$14.
A1982A	420MB internal SCSI II disk	Model 720 diskless systems	\$3,500.	\$24.
A1983A	Second 420MB SCSI II Disk	Model 720 w/single internal disk only	\$3,500.	\$24.
A1984A	Add 1.4MB 3.5" Floppy Disk Drive	Model 720 with no more than one disk	\$500.	\$8
*EXTERNAL STORAGE				
C2482A	Model 1350sx disk storage system with 1.3GB fast/differential SCSI II disk drive	Model 720 with EISA SCSI II Adapter and SCSI cable see cable chart	\$8,375.	
C2492A	1.3GB fast/differential SCSI II disk upgrade kit <i>Adds 1.3GB SCSI II disk to C2482A.</i>	C2482A disk storage systems	\$8,025.	
#0D1	Factory installation into C2482A disk storage system		N/C	
#0DF	Customer installation into C2482A		\$100.	
#0DG	Field service installation into C2482A		\$200.	
C2213A	Model 660s Mass Storage System with 660MB SCSI II drive	Model 720, SCSI cable and terminator see cable chart	\$5,175.	\$20.
#002	Add one 660MB Fixed disk		\$4,850.	\$15.
#022	Add two 660MB Fixed disks		\$9,700.	\$31.
#003	Add DDS (4mm DAT) Tape Drive		\$4,700.	\$27.
#004	Add 600MB CD-ROM Drive		\$1,250.	\$19.
#005	Add 650MB Magneto-Optical Drive		\$5,400.	\$19.

* Note: All HP Apollo 9000 Series 700 storage products comply with the SCSI II specifications. The SCSI II specification allows for a variety of implementations, and HP uses this variety to achieve the range of price/performance required by our customers.

MODEL 720 ADD-ON OPTIONS (customer or field installed) Cont'd

Product Number	Description	Prerequisite	U.S. LIST \$	Next Day Service
EXTERNAL STORAGE				
A1999A	600MB CD-ROM Drive standalone	Model 720, SCSI cable and terminator see cable chart	\$1,300.	\$21.
C1512A	1.3GB 4mm DAT Tape standalone	Model 720, SCSI cable and terminator see cable chart	\$5,700.	\$30.
C1701A	650MB Magneto-Optical Drive standalone	Model 720 and SCSI cable see cable chart	\$6,435.	\$23.
C1700A	20GB Magneto-Optical autochanger	Model 720 and SCSI cable see cable chart	\$42,000.	\$107.
9144A	67MB 1/4" Cartridge Tape Drive standalone	Model 720 w/EISA HP-IB adapter and cable see cable chart	\$2,600.	\$11.
9145A	133MB 1/4" Cartridge Tape Drive standalone	Model 720 W/EISA HP-IB Adapter and cable see cable chart	\$4,055.	\$11.
EISA INTERFACE OPTIONS				
<i>(Optional on Model 720)</i>				
A1986A	EISA Upgrade Kit Adds one EISA interface slot	Model 720 w/out EISA	\$1,500	N/C
25525A	EISA SCSI II Host Adapter Connects SCSI II fast/differential devices through EISA slot. Includes a differential, low density terminator.	Model 720 w/EISA upgrade	\$1,195	
25560A	EISA HP-IB Host Adapter Connects HP-IB peripherals through EISA slot.	Model 720 w/EISA upgrade	\$1,195	
25567A	EISA LAN/9000 for Series 700 provides second Ethernet LAN. Includes LAN hardware built in ThinMAU and BNC connector.	Model 720 w/EISA upgrade	\$1,395	
#740	Add ThickMAU, tap, and 6 M AUI cable		\$395	
#840	Add EtherTwist MAU and 1 M cable		\$195	



MODEL 720 ADD-ON OPTIONS (customer or field installed) Cont'd

Product Number	Description	Prerequisite	U.S. LIST \$	Next Day Service
TERMINALS				
<i>(Required for Server operation)</i>				
C1001A	HP 700/92 Terminal Amber Display 14" screen, 8 pages of memory, 80/132 column, printer PORT and ANSI 3.64 with VT220 compatibility <i>Must specify localization option.</i>	<i>Requires cable 24542G, (order from HP Apollo Direct Channel) localization option</i>	\$895.	\$4.
C1001G	HP 700/92 Terminal Green Display 14" screen, 8 pages of memory, 80/132 column, printer PORT and ANSI 3.64 with VT220 compatibility <i>Must specify localization option.</i>	<i>Requires cable 24542G (order from HP Apollo Direct Channel) localization option</i>	\$895.	\$4.
C1001W	HP 700/92 Terminal Soft White Display 14" screen, 8 pages of memory, 80/132 column, printer PORT and ANSI 3.64 with VT220 compatibility <i>Must specify localization option.</i>	<i>Requires cable 24542G (order from HP Apollo Direct Channel) localization option</i>	\$895.	\$4.

TERMINAL LOCALIZATION KIT

(MUST ORDER WITH EVERY TERMINAL)

Localized options #ABA through #AB1 (below)

#ABA	U.S. English	#ABK	ICON	#ABW	Belgian Dutch
#ABC	French Canadian	#ABM	Latin Spanish	#ABX	Finnish
#ABD	German	#ABN	Norwegian	#ABY	Danish
#ABE	European	#ABP	Swiss German	#ABZ	Italian
#ABF	European French	#ABQ	Swiss French	#AB0	Taiwan
#ABH	Dutch	#ABS	Swedish	#AB1	Korean
#ABJ	Katakana	#ABU	UK		



N/C



HEWLETT
PACKARD

apollo
systems division

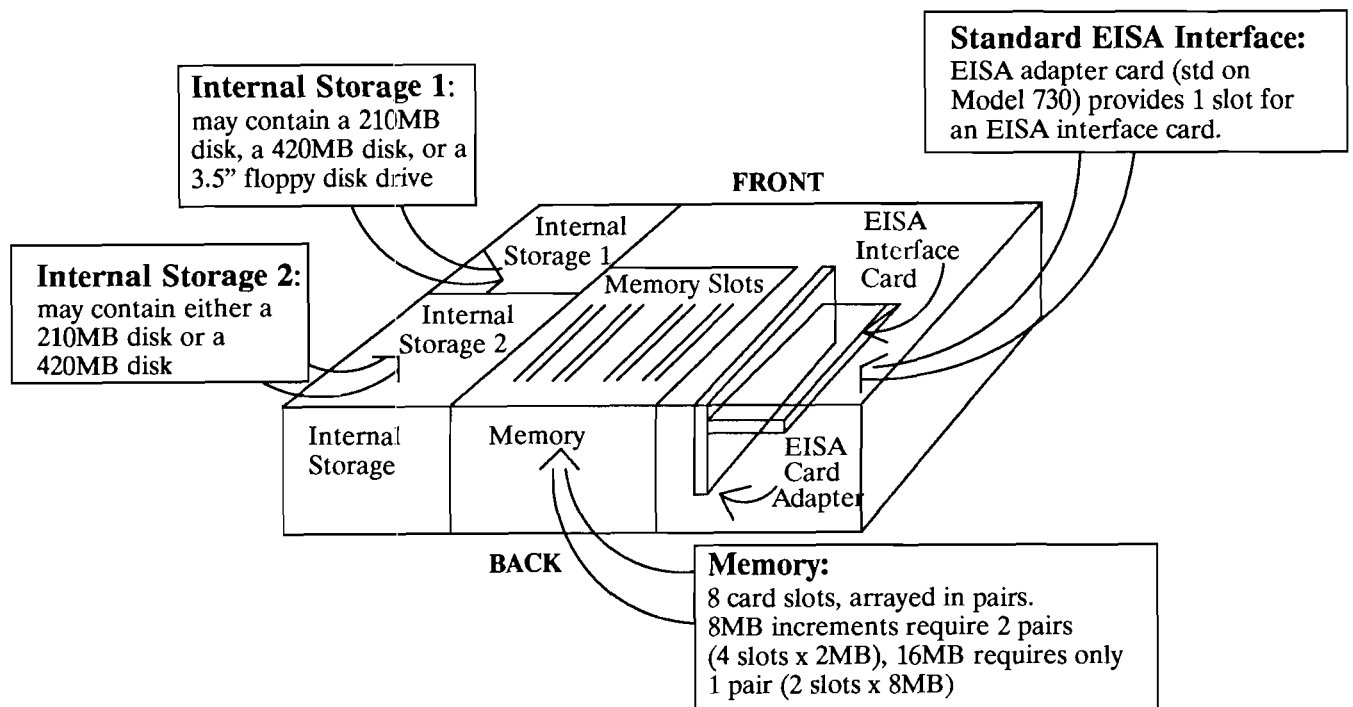
HP Apollo 9000 Series 700

Model 730 Midrange Desktop Workstations

System Standard Features

- 66MHz PA-RISC processor integral with 66MHz floating point processor
- delivers 72.2 SPECmarks, 76 MIPS, and 22 MFLOPS
- configurable with 16 to 64 MB main memory
- configurable with a maximum of 2 internal 3.5" storage devices
- 2 asynchronous RS-232C ports
- 1 Centronics parallel port
- external SCSI II port (support for a total of up to 7 devices - including internal)
- IEEE 802.3 Ethernet LAN interface configured with ThinLAN
- includes EISA bus (1 slot)
- auto selecting power supply 115V/230V
- operating environment: HP-UX 8.05 Run-Time, 2 user license-to-use
- documentation (Owner's Guide and General Usage manuals:
 HP VUE User's Guide, Using the X windows System,
 A Beginner's Guide to HP-UX, Finding Information (HP-UX)).
- stand and labels for optional deskside use

Model 730 System Options Diagram



MODEL 730 WORKSTATIONS/SERVER

Product Number	Description	Prerequisite	U.S. LIST \$	Next Day Service
----------------	-------------	--------------	--------------	------------------

Model 730 GRX Grayscale Workstations

A1945A	GRX, 19" grayscale monitor, 16MB RAM, one 210MB internal SCSI II disk Available options AN4, AN8, AND, AMB, AL9, 0DC	Localization Kit See next page.	\$19,890.	\$56.
A1946A	GRX, 19" grayscale monitor, 16MB RAM, one 420MB internal SCSI II disk Available options AN4, AN8, AND, AMH, AMB, AL9, 0DC, 0DE	Localization Kit See next page.	\$21,390.	\$66.

Model 730 CRX Color 2D/3D Workstations

A1949A	CRX, 19" color monitor, 16MB RAM, one 210MB internal SCSI II disk Available options AN4, AN8, AND, AMB, AL9, 0DC	Localization Kit See next page.	\$26,890.	\$70.
A1950A	CRX, 19" color monitor, 16MB RAM, one 420MB internal SCSI II disk Available options AN4, AN8, AND, AMH, AMB, AL9, 0DC, 0DE	Localization Kit See next page.	\$28,390.	\$80.

Model 730 PVRX Color 3D Workstation

A1951A	PersonalVRX, 19" color monitor, 16MB RAM, one 420MB internal SCSI II disk Available options AN4, AN8, AND, AMH, AMB, AL9, 0DC, 0DE	Localization Kit See next page.	\$40,390.	\$113.
--------	---	------------------------------------	-----------	--------

Model 730 TVRX Color 3D Workstations

A1954A	TurboVRX T2, 19" color monitor, 16MB RAM, two 420MB internal SCSI II disks Available options AN4, AN8, AND, AL9, 0DC, 0DE	Localization Kit See next page.	\$83,890.	\$234.
A1955A	TurboVRX T4, 19" color monitor, 16MB RAM, two 420MB internal SCSI II disks Available options AN4, AN8, AND, AL9, 0DC, 0DE	Localization Kit See next page.	\$103,890.	\$314.

Model 730 Server

A1956A	16MB RAM, two 420MB internal SCSI II disks, Available options AN4, AN8, AND, AL9, 0DC, 0DE 900, 901, 902, 903, 906, 912, 917, 918, 919	Must order power cord option below. <i>Requires terminal or graphics subsystem</i>	\$23,990.	\$80.
--------	---	---	-----------	-------

Sever Power Cord options #900 through #919 (below)

#900	United Kingdom	#912	Denmark
#901	Australia, New Zealand	#917	Republic of South Africa, India
#902	European	#918	Japan
#903	North America, Taiwan, Korea	#919	Israel
#906	Switzerland		

N/C

MODEL 730 FACTORY INTEGRATED OPTIONS

Product Number	Description	Prerequisite	U.S. LIST \$	Next Day Service
Memory				
#AN4	Add 8MB memory for a total of 24MB, factory integrated. <i>Maximum of one factory integrated memory option per workstation. May NOT be ordered concurrently with options AN8 or AND.</i>		\$2,800.	\$4.
#AN8	Add 16MB memory for a total of 32MB, factory integrated. <i>Maximum of one factory integrated memory option per workstation. May NOT be ordered concurrently with options AN4 or AND.</i>		\$5,600.	\$8.
#AND	Add 48MB memory for a total of 64MB, factory integrated. <i>Maximum of one factory integrated memory option per workstation. May NOT be ordered concurrently with options AN4 or AN8.</i>		\$16,800.	\$24.
Internal Storage				
<i>Note: All HP Apollo 9000 Series 700 storage products comply with the SCSI II specifications. The SCSI II specification allows for a variety of implementations, and HP uses this variety to achieve the range of price/performance required by our customers.</i>				
#AMH	Add Second 420MB SCSI II disk drive, factory integrated. <i>Maximum of one option AMH per workstation. May NOT be ordered concurrently with option AMB.</i>	Model 730 w/single 420MB internal disk.	\$3,500.	\$24.
#AMB	Add 1.4MB 3.5" SCSI II floppy disk drive, factory integrated	Model 730 with no more than one disk	\$500.	\$8
EISA Options				
#ALE	Add EISA SCSI II Host Adapter <i>May not be ordered with #ALF or #ALG.</i>	Model 730	\$1,195.	
#ALF	Add EISA HP-IB Host Adapter <i>May not be ordered with #ALE or #ALG.</i>	Model 730	\$1,195.	
#ALG	Add EISA LAN/9000 <i>May not be ordered with #ALE or #ALF.</i>	Model 730	\$1,395.	
Other				
#AL9	Factory select LAN AUI configuration. This option overrides default ThinNET Ethernet connection.	External Transceiver	N/C	
#0DC	HP-UX 8.05 Run-Time Instant Ignition, 2-user Pre-loaded and pre-configured HP-UX 8.05 Run-Time Environment.		\$75.	
#0DE	HP-UX 8.05 C/ANSI C Developer's Instant Ignition. Pre-loaded and pre-configured HP-UX 8.05 C/ANSI C Developer's Bundle and HP-UX 8.05 Run-Time Environment, 2-user. Includes license-to-use for one workstation. See description B2354A. <i>Note: #0DC not required.</i>	Requires minimum of 420MB disk	\$1,870.	

MODEL 730 FACTORY INTEGRATED OPTIONS

Product Number	Description	Prerequisite	U.S. LIST \$	Next Day Service
----------------	-------------	--------------	--------------	------------------

WORKSTATION LOCALIZATION KIT

(MUST ORDER WITH EVERY SERIES 700 WORKSTATION)

A1099A	HP-UX Localization kit. Includes keyboard, mouse and power cord.	Must order localization option.	\$100.
--------	--	---------------------------------	--------

Localized options #ABA through #AB1 (below)

N/C

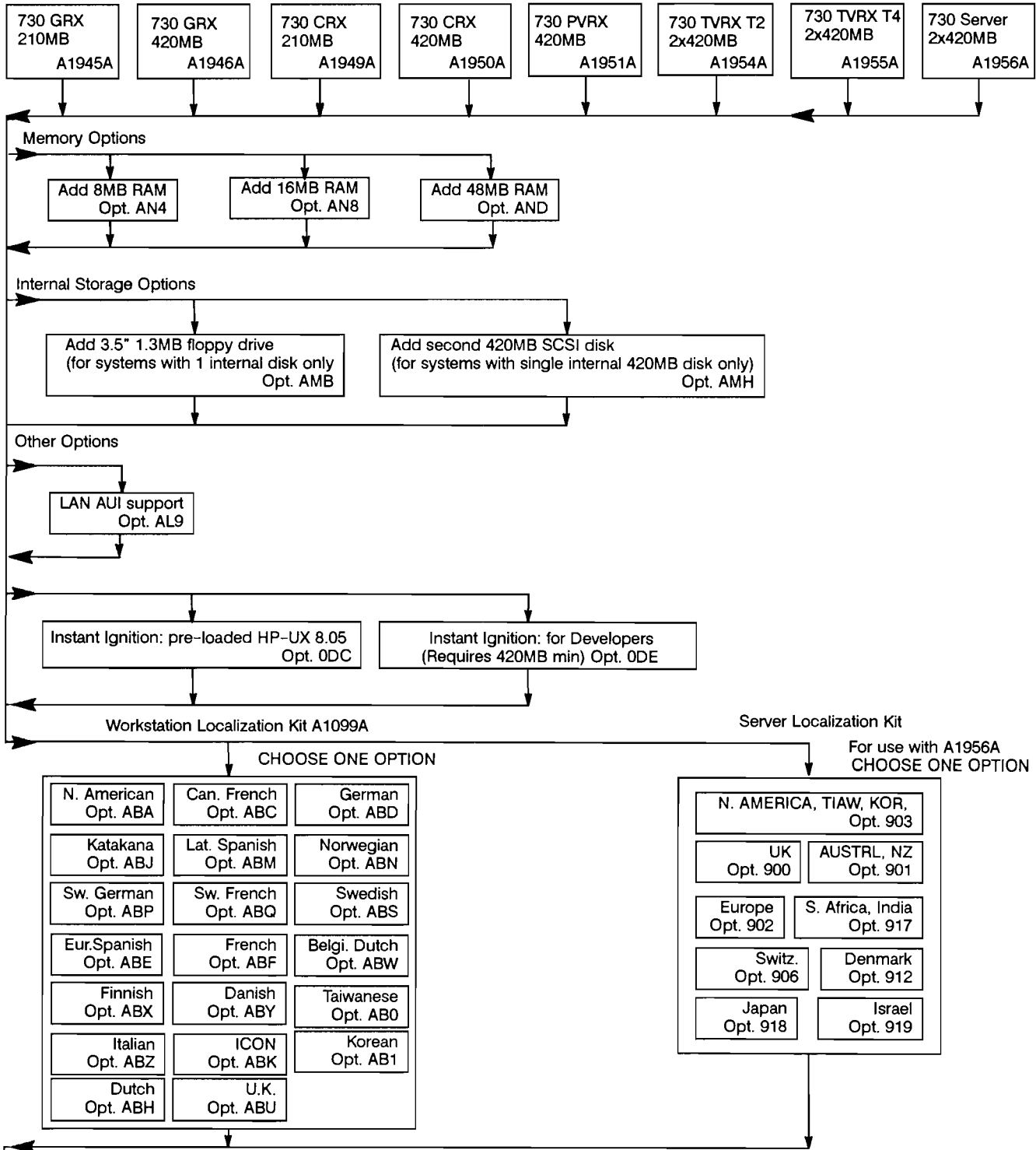
#ABA	U.S. English	#ABK	ICON	#ABW	Belgian Dutch
#ABC	French Canadian	#ABM	Latin Spanish	#ABX	Finnish
#ABD	German	#ABN	Norwegian	#ABY	Danish
#ABE	European	#ABP	Swiss German	#ABZ	Italian
#ABF	European French	#ABQ	Swiss French	#AB0	Taiwan
#ABH	Dutch	#ABS	Swedish	#AB1	Korean
#ABJ	Katakana	#ABU	UK		

Model 730 Factory Integrated Configuration Matrix

Option Standard Configuration	Memory			Internal Storage		EISA Interface Options			Other Options		
	AN4 Add 8MB	AN8 Add 16MB	AND Add 48MB	AMH 420MB Disk	AMB 1.4MB Floppy	ALE EISA SCSI II Adapter	ALF EISA HP-IB Adapter	ALG EISA LAN Card	AL9 LAN-AUI	0DC HP-UX Preload	0DE Devel Preload
A1945A GRX 19" grayscale, 16MB, 210MB (\$19,890)	\$2,800	\$5,600	\$16,800		\$500	\$1,195	\$1,195	\$1,395	N/C	see Note \$75	
A1946A GRX 19" grayscale, 16MB, 420MB (\$21,390)	\$2,800	\$5,600	\$16,800	options may not be ordered together \$3,500 \$500		\$1,195	\$1,195	\$1,395	N/C	options may not be ordered together \$75	\$1,870
A1949A CRX 19" color, 16MB, 210MB (\$26,890)	\$2,800	\$5,600	\$16,800		\$500	\$1,195	\$1,195	\$1,395	N/C	see Note \$75	
A1950A CRX 19" color, 16MB, 420MB (\$28,390)	\$2,800	\$5,600	\$16,800	options may not be ordered together \$3,500 \$500		\$1,195	\$1,195	\$1,395	N/C	options may not be ordered together \$75	\$1,870
A1951A PVRX 19" 3D color, 16MB, 420MB (\$40,390)	\$2,800	\$5,600	\$16,800	options may not be ordered together \$3,500 \$500		\$1,195	\$1,195	\$1,395	N/C	options may not be ordered together \$75	\$1,870
A1954A TVRX 19" 3D color, 16MB, 2x420MB (\$83,890)	\$2,800	\$5,600	\$16,800			\$1,195	\$1,195	\$1,395	N/C	options may not be ordered together \$75	\$1,870
A1955A TVRX 19" 3D color, 16MB, 2x420MB (\$103,890)	\$2,800	\$5,600	\$16,800			\$1,195	\$1,195	\$1,395	N/C	options may not be ordered together \$75	\$1,870
A1956A Server, 16MB, 2x420MB (\$23,990)	\$2,800	\$5,600	\$16,800			\$1,195	\$1,195	\$1,395	N/C	options may not be ordered together \$75	\$1,870

Note: These configurations are recommended only where connection to a server can provide adequate user file space.

Model 730 Workstations & Servers - Factory Configurations



Continue with External Storage, Software, and Peripherals

MODEL 730 ADD-ON OPTIONS (customer or field installed)

Product Number	Description	Prerequisite	U.S. LIST \$	Next Day Service
MEMORY				
A1978A	8MB RAM add-on See System Configuration Diagram for maximum memory constraints	Series 700	\$2,800.	\$4.
A1979A	16MB RAM add-on See System Configuration Diagram for maximum memory constraints	Series 700	\$5,600.	\$8.
*INTERNAL STORAGE				
A1981A	Second 210MB SCSI II Disk	Model 730 w/single internal disk only	\$2,000.	\$14.
A1983A	Second 420MB SCSI II Disk	Model 730 w/single internal disk only	\$3,500.	\$24.
A1984A	Add 1.4MB 3.5" Floppy Disk Drive	Model 730 with no more than one disk	\$500.	\$8.
*EXTERNAL STORAGE				
C2482A	Model 1350sx disk storage system with 1.3GB fast/differential SCSI II disk drive	Model 730 with EISA SCSI II Adapter and SCSI cable see cable chart	\$8,375.	
C2492A	1.3GB fast/differential SCSI II disk upgrade kit <i>Adds 1.3GB SCSI II disk to C2482A.</i>	C2482A disk storage systems	\$8,025.	
#0D1	Factory installation into C2482A disk storage system		N/C	
#0DF	Customer installation into C2482A		\$100.	
#0DG	Field service installation into C2482A		\$200.	
C2213A	Model 660s Mass Storage System with 660MB SCSI II drive	Model 730, SCSI cable and terminator see cable chart	\$5,175.	\$20.
#002	Add one 660MB Fixed Disk		\$4,850.	\$15.
#022	Add two 660MB Fixed Disks		\$9,700.	\$31.
#003	Add DDS (4mm DAT) Tape Drive		\$4,700.	\$27.
#004	Add 600MB CD-ROM Drive		\$1,250.	\$19.
#005	Add 650MB Magneto-Optical Drive		\$5,400.	\$19.

* Note: All HP Apollo 9000 Series 700 storage products comply with the SCSI II specifications. The SCSI II specification allows for a variety of implementations, and HP uses this variety to achieve the range of price/performance required by our customers.



MODEL 730 ADD-ON OPTIONS (customer or field installed) Cont'd

Product Number	Description	Prerequisite	U.S. LIST \$	Next Day Service
EXTERNAL STORAGE				
A1999A	600MB CD-ROM Drive standalone	Model 730, SCSI cable and terminator see cable chart	\$1,300.	\$21.
C1512A	1.3GB 4mm DAT Tape standalone	Model 730, SCSI cable and terminator see cable chart	\$5,700.	\$30.
C1701A	650MB Magneto-Optical Drive standalone	Model 730 and SCSI cable see cable chart	\$6,435.	\$23.
C1700A	20GB Magneto-Optical autochanger	Model 730 and SCSI cable see cable chart	\$42,000.	\$107.
9144A	67MB 1/4" Cartridge Tape Drive standalone	Model 730 w/EISA HP-IB adapter and cable see cable chart	\$2,600.	\$11.
9145A	133MB 1/4" Cartridge Tape Drive standalone	Model 730 W/EISA HP-IB Adapter and cable see cable chart	\$4,055.	\$11.
EISA INTERFACE OPTIONS				
<i>(Standard on Model 730)</i>				
25525A	EISA SCSI II Host Adapter Connects SCSI II fast/differential devices through EISA slot. Includes a differential, low density terminator.	Model 730 w/EISA slot	\$1,195	
25560A	EISA HP-IB Host Adapter Connects HP-IB peripherals through EISA slot.	Model 730 w/EISA slot	\$1,195	
25567A	EISA LAN/9000 for Series 700 provides second Ethernet LAN. Includes LAN hardware built in ThinMAU and BNC connector.	Model 730 w/EISA slot	\$1,395	
#740	Add ThickMAU, tap, and 6 M AUI cable		\$395	
#840	Add EtherTwist MAU and 1 M cable		\$195	



HEWLETT
PACKARD

apollo
systems division

HP Apollo 9000 Series 700

MODEL 730 ADD-ON OPTIONS (customer or field installed) Cont'd

Product Number	Description	Prerequisite	U.S. LIST \$	Next Day Service
TERMINALS				
<i>(Required for Server operation)</i>				
C1001A	HP 700/92 Terminal Amber Display 14" screen, 8 pages of memory, 80/132 column, printer PORT and ANSI 3.64 with VT220 compatibility <i>Must specify localization option.</i>	<i>Requires cable 24542G, (order from HP Apollo Direct Channel) localization option</i>	\$895.	\$4.
C1001G	HP 700/92 Terminal Green Display 14" screen, 8 pages of memory, 80/132 column, printer PORT and ANSI 3.64 with VT220 compatibility <i>Must specify localization option.</i>	<i>Requires cable 24542G (order from HP Apollo Direct Channel) localization option</i>	\$895.	\$4.
C1001W	HP 700/92 Terminal Soft White Display 14" screen, 8 pages of memory, 80/132 column, printer PORT and ANSI 3.64 with VT220 compatibility <i>Must specify localization option.</i>	<i>Requires cable 24542G (order from HP Apollo Direct Channel) localization option</i>	\$895.	\$4.

TERMINAL LOCALIZATION KIT

(MUST ORDER WITH EVERY TERMINAL)

Localized options #ABA through #AB1 (below)

#ABA	U.S. English	#ABK	ICON	#ABW	Belgian Dutch
#ABC	French Canadian	#ABM	Latin Spanish	#ABX	Finnish
#ABD	German	#ABN	Norwegian	#ABY	Danish
#ABE	European	#ABP	Swiss German	#ABZ	Italian
#ABF	European French	#ABQ	Swiss French	#AB0	Taiwan
#ABH	Dutch	#ABS	Swedish	#AB1	Korean
#ABJ	Katakana	#ABU	UK		

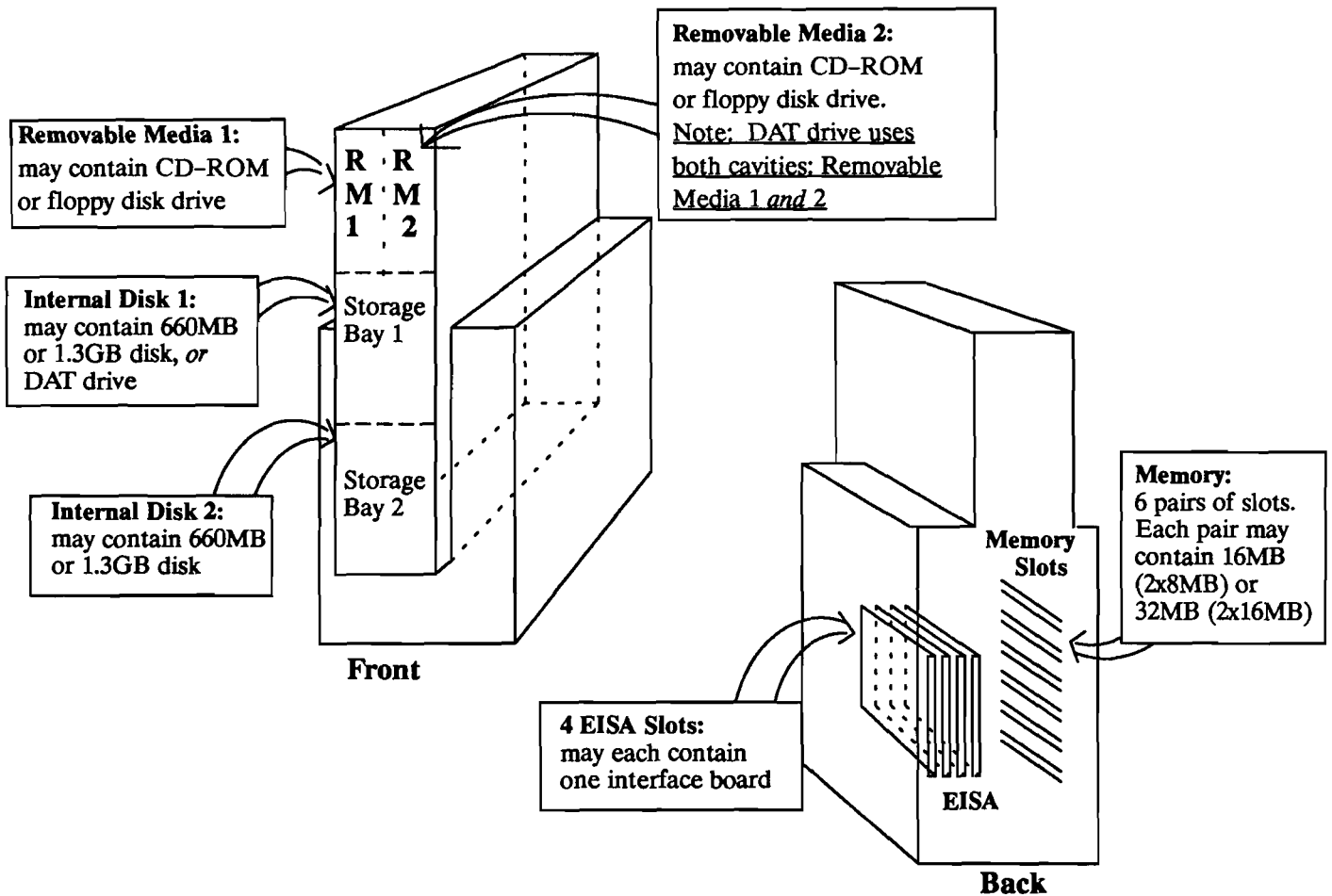
N/C

Model 750 Deskside Workstations

System Standard Features

- 66MHz PA-RISC processor integral with 66MHz floating point processor
- delivers 72.2 SPECmarks, 76 MIPS, and 22 MFLOPS
- configurable with 16 to 192 MB main memory
- 2 asynchronous RS-232C ports
- 1 Centronics parallel port
- external SCSI II port (support for a total of up to 7 devices - including internal)
- IEEE 802.3 Ethernet LAN interface configured with ThinLAN
- includes EISA bus (4 slots)
- auto selecting power supply 115V/230V
- operating environment: HP-UX 8.05 Run-Time, 2 user license-to-use
- documentation (Owner's Guide and General Usage manuals:
HP VUE User's Guide, Using the X windows System,
A Beginner's Guide to HP-UX, Finding Information (HP-UX)).

Model 750 System Options Diagram



MODEL 750 WORKSTATIONS/SERVERS

Product Number	Description	Prerequisite	U.S. LIST \$	Next Day Service
----------------	-------------	--------------	--------------	------------------

Model 750 CRX Color 2D/3D Workstations

A1961A	CRX, 19" color monitor, 16MB RAM, one 660MB internal SCSI II disk Available options AN8, AND, 112, 176, AMB, AM7, AM8, AL9, 0DC, 0DE	localization kit See next page	\$43,090.	\$79.
A1962A	CRX, 19" color monitor, 16MB RAM, one 1.3GB SCSI II disk Available options AN8, AND, 112, 176, AMB, AMG, AM7, AM8, AL9, 0DC, 0DE	localization kit See next page	\$46,090.	\$90.

Model 750 PVRX Color 3D Workstation

A1963A	PersonalVRX, 19" color monitor, 16MB RAM, one 660MB internal SCSI II disk Available options AN8, AND, 112, 176, AMB, AM7, AM8, AL9, 0DC, 0DE	localization kit See next page	\$55,090.	\$112.
A1964A	PersonalVRX, 19" color monitor, 16MB RAM, one 1.3GB SCSI II disk Available options AN8, AND, 112, 176, AMB, AMG, AM7, AM8, AL9, 0DC, 0DE	localization kit See next page	\$58,090.	\$122.

Model 750 TVRX Color 3D Workstations

A1969A	TurboVRX T2, 19" color monitor, 16MB RAM, one 1.3GB SCSI II disk Available options AN8, AND, 112, 176, AMB, AMG, AM7, AM8, AL9, 0DC, 0DE	localization kit See next page	\$98,090.	\$219.
A1970A	TurboVRX T4, 19" color monitor, 16MB RAM, one 1.3GB SCSI II disk Available options AN8, AND, 112, 176, AMB, AMG, AM7, AM8, AL9, 0DC, 0DE	localization kit See next page	\$118,090.	\$300.

Model 750 Server

A1971A	16MB RAM, one 660MB internal SCSI II disk, Available options AN8, AND, 112, 176, AMB, AM7, AM8, AL9, 0DC, 0DE 900, 901, 902, 903, 906, 912, 917, 918, 919	Must order power cord See below. <i>Requires terminal graphics subsystem</i>	\$39,690.	\$55.
A1977A	16MB RAM, one 1.3GB internal SCSI II disk, Available options AN8, AND, 112, 176, AMB, AMG, AM7, AM8, AL9, 0DC, 0DE 900, 901, 902, 903, 906, 912, 917, 918, 919	Must order power cord See below. <i>Requires terminal graphics subsystem</i>	\$42,690.	\$92.

Sever Power Cord options #900 through #919 (below)

#900	United Kingdom	#912	Denmark
#901	Australia, New Zealand	#917	Republic of South Africa, India
#902	European	#918	Japan
#903	North America, Taiwan, Korea	#919	Israel
#906	Switzerland		

N/C

MODEL 750 FACTORY INTEGRATED OPTIONS

Product Number	Description	Prerequisite	U.S. LIST \$	Next Day Service
Memory				
#AN8	Add 16MB memory for a total of 32MB, factory integrated. <i>Maximum of one factory integrated memory option per workstation. May NOT be ordered concurrently with options AND, 112 or 176.</i>		\$5,600.	\$8.
#AND	Add 48MB memory for a total of 64MB, factory integrated. <i>Maximum of one factory integrated memory option per workstation. May NOT be ordered concurrently with options AN8, 112 or 176</i>		\$16,800.	\$24.
#112	Add 112MB memory for a total of 128MB, factory integrated. <i>Maximum of one factory integrated memory option per workstation. May NOT be ordered concurrently with options AN8, AND or 176.</i>		\$39,200.	\$56.
#176	Add 176MB memory for a total of 192MB, factory integrated. <i>Maximum of one factory integrated memory option per workstation. May NOT be ordered concurrently with options AN8, AND or 112.</i>		\$61,600.	\$88.
Internal Storage				
<i>Note: All HP Apollo 9000 Series 700 storage products comply with the SCSI II specifications. The SCSI II specification allows for a variety of implementations, and HP uses this variety to achieve the range of price/performance required by our customers.</i>				
#AMG	Add 1.3GB SCSI II disk drive, factory integrated. <i>May NOT order more than one per workstation.</i>	Model 750 w/single 1.3GB disk	\$8,000.	\$26.
#AM7	Add 4mm SCSI II DAT drive, factory integrated. <i>May NOT be ordered concurrently with option AMB.</i>	Model 750 with available full height bay see system diagram	\$4,700.	\$26.
#AM8	Add 600MB SCSI II CD-ROM, factory integrated.	Model 750 with available half height bay see system diagram	\$1,000.	\$21.
#AMB	Add 1.4MB 3.5" SCSI II floppy disk drive, factory integrated. <i>May NOT be ordered together with option AM7</i>	Model 750 with available half height bay see system diagram	\$500.	\$8.
EISA Options				
(More than one of each EISA option card may be ordered up to the system maximum of four.)				
#ALE	Add EISA SCSI II Host Adapter	Model 750	\$1,195.	
#ALF	Add EISA HP-IB Host Adapter	Model 750	\$1,195.	
#ALG	Add EISA LAN/9000	Model 750	\$1,395.	
Other				
#AL9	Factory select LAN AUI configuration. <i>This option overrides default ThinNET Ethernet connection.</i>	External transceiver required.	N/C	
#0DC	HP-UX 8.05 Run-Time Instant Ignition, 2-user <i>Pre-loaded and pre-configured HP-UX 8.05 Run-Time Environment.</i>		\$75.	
#0DE	HP-UX 8.05 C/ANSI C Developer's Instant Ignition. <i>Pre-loaded and pre-configured HP-UX 8.05 C/ANSI C Developer's Bundle and HP-UX 8.05 Run-Time Environment, 2-user. Includes license-to-use for one workstation. See description B2354A. Note: #0DC not required.</i>		\$1,870.	

MODEL 750 FACTORY INTEGRATED OPTIONS

Product Number	Description	Prerequisite	U.S. LIST \$	Next Day Service
----------------	-------------	--------------	--------------	------------------

WORKSTATION LOCALIZATION KIT

(MUST ORDER WITH EVERY SERIES 700 WORKSTATION)

A1099A	HP-UX Localization kit. Includes keyboard, mouse and power cord.	Must order localization option.	\$100.	
	Localized options #ABA through #AB1 (below)		N/C	

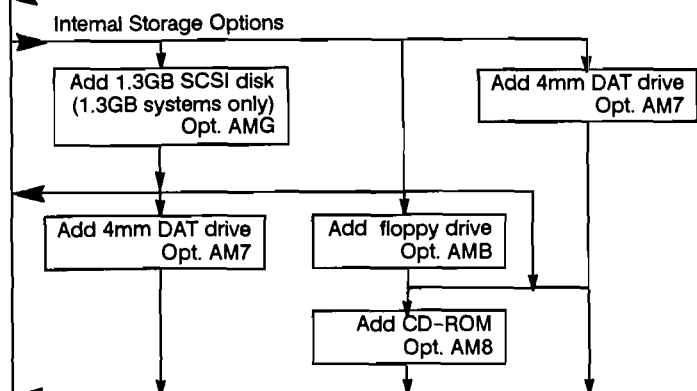
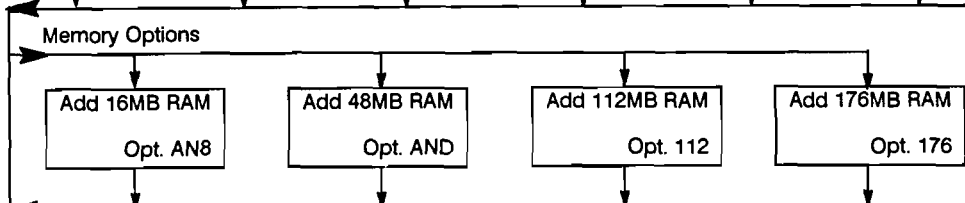
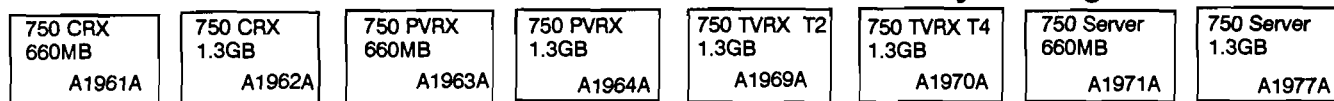
#ABA	U.S. English	#ABK	ICON	#ABW	Belgian Dutch
#ABC	French Canadian	#ABM	Latin Spanish	#ABX	Finnish
#ABD	German	#ABN	Norwegian	#ABY	Danish
#ABE	European	#ABP	Swiss German	#ABZ	Italian
#ABF	European French	#ABQ	Swiss French	#AB0	Taiwan
#ABH	Dutch	#ABS	Swedish	#AB1	Korean
#ABJ	Katakana	#ABU	UK		

Model 750 Factory Configuration Matrix

Option	Memory				Internal Storage				EISA Interface Options			Other Options		
	AN8 Add 16MB	AND Add 48MB	112 Add 48MB	176 Add 48MB	AMG 1.3GB Disk	AM8 600MB CDROM	AM7 1.3GB DAT	AMB 1.4MB Floppy	ALE EISA SCSI II Adapter	ALF EISA HP-IB Adapter	ALG EISA LAN Card	AL9 LAN-AUI	0DC HP-UX Preload	0DE Devel Preload
Standard Configuration	Only one memory option may be ordered per workstation.				No more than one of each available option may be ordered per workstation.				More than one of each EISA option card may be ordered up to system maximum of four.			No more than one of each available option may be ordered per workstation.		
A1961A CRX 19" color, 16MB, 660MB (\$43,090)	\$5,600	\$16,800	\$39,200	\$61,600		\$1,000	options may not be ordered together	\$500	\$1,195	\$1,195	\$1,395	N/C	\$75	\$1,870
A1962A CRX 19" color, 16MB, 1.3GB (\$46,090)	\$5,600	\$16,800	\$39,200	\$61,600	\$8,000	\$1,000	see Note	\$500	\$1,195	\$1,195	\$1,395	N/C	\$75	\$1,870
A1963A PVRX 19" 3D clr 16MB, 660MB (\$55,090)	\$5,600	\$16,800	\$39,200	\$61,600		\$1,000	options may not be ordered together	\$500	\$1,195	\$1,195	\$1,395	N/C	\$75	\$1,870
A1964A PVRX 19" 3D clr 16MB, 1.3GB (\$58,090)	\$5,600	\$16,800	\$39,200	\$61,600	\$8,000	\$1,000	see Note	\$500	\$1,195	\$1,195	\$1,395	N/C	\$75	\$1,870
A1969A TVRX 19" 3D clr 16MB, 1.3GB (\$98,090)	\$5,600	\$16,800	\$39,200	\$61,600	\$8,000	\$1,000	see Note	\$500	\$1,195	\$1,195	\$1,395	N/C	\$75	\$1,870
A1970A TVRX 19" 3D clr 16MB, 1.3GB (\$118,090)	\$5,600	\$16,800	\$39,200	\$61,600	\$8,000	\$1,000	see Note	\$500	\$1,195	\$1,195	\$1,395	N/C	\$75	\$1,870
A1971A Server, 16MB, 660MB (\$39,690)	\$5,600	\$16,800	\$39,200	\$61,600	\$8,000	\$1,000	see Note	\$500	\$1,195	\$1,195	\$1,395	N/C	\$75	\$1,870
A1977A Server, 16MB, 1.3GB (\$42,690)	\$5,600	\$16,800	\$39,200	\$61,600	\$8,000	\$1,000	see Note	\$500	\$1,195	\$1,195	\$1,395	N/C	\$75	\$1,870

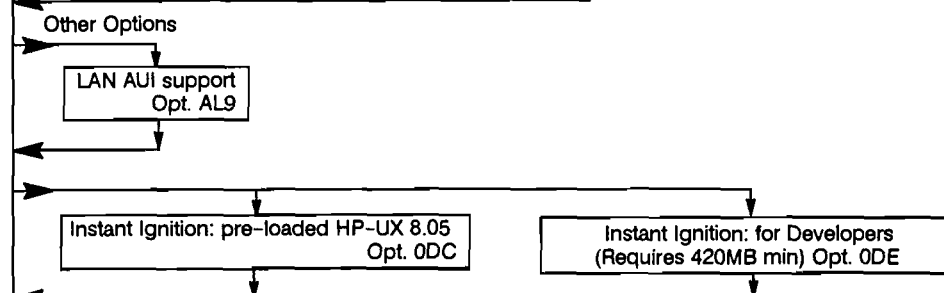
Note: 1.3GB DAT drive (option AM7) may not be ordered with floppy (AMB). If it is ordered with the 1.3GB disk drive, CD-ROM (AM8) may not be ordered.

Model 750 Workstations & Servers - Factory Configurations



RULES FOR CONFIGURING INTERNAL STORAGE:

1. You can add a 1.3GB disk only to a standard configuration that has one 1.3GB disk - not to one that contains a 660MB disk.
2. You can also add any **one** of the removable media options to any hard disk configuration.
3. A DAT drive and CD-ROM combination is supported but not with the second 1.3GB drive.
4. A DAT drive, CD-ROM and floppy combination configuration can be ordered by combining factory and field installed options.



Workstation Localization Kit A1099A

Server Localization Kit

CHOOSE ONE OPTION

N. American Opt. ABA	Can. French Opt. ABC	German Opt. ABD
Katakana Opt. ABJ	Lat. Spanish Opt. ABM	Norwegian Opt. ABN
Sw. German Opt. ABP	Sw. French Opt. ABQ	Swedish Opt. ABS
Eur. Spanish Opt. ABE	French Opt. ABF	Belgi. Dutch Opt. ABW
Finnish Opt. ABX	Danish Opt. ABY	Taiwanese Opt. AB0
Italian Opt. ABZ	ICON Opt. ABK	Korean Opt. AB1
Dutch Opt. ABH	U.K. Opt. ABU	

Must order A1971A or A1977A
CHOOSE ONE OPTION

N. AMERICA, TIAW, KOR, Opt. 903	
UK Opt. 900	AUSTRAL. NZ Opt. 901
Europe Opt. 902	S. Africa, India Opt. 917
Switz. Opt. 906	Denmark Opt. 912
Japan Opt. 918	Israel Opt. 919

Continue with External Storage, Software, and Peripherals



HEWLETT
PACKARD

apollo
systems division

HP Apollo 9000 Series 700

MODEL 750 ADD-ON OPTIONS (customer or field installed)

Product Number	Description	Prerequisite	U.S. LIST \$	Next Day Service
MEMORY				
A1979A	16MB RAM add-on See System Configuration Diagram for maximum memory constraints	Series 700	\$5,600.	\$8.
A1987A	32MB RAM add-on See System Configuration Diagram for maximum memory constraints	Model 750	\$11,200.	\$16.
*INTERNAL STORAGE				
<i>(See System Configuration Diagram for maximum internal storage constraints)</i>				
A1988A	Add 660MB Internal SCSI II Disk	Model 750 w/single internal disk	\$5,000.	\$15.
A1989A	Add 1.3GB internal SCSI II disk	Model 750 w/single internal disk	\$8,000.	\$26.
A1985A	Add 600MB CD-ROM Drive	Model 750 with available half height bay see system diagram	\$1,000.	\$21.
A1990A	Add 1.3GB 4mm DAT Tape Drive	Model 750 with available full height bay see system diagram	\$4,700.	\$26.
A1968A	Add 1.4MB 3.5" Floppy Disk Drive	Model 750 with available half height bay see system diagram	\$500.	\$8.
*EXTERNAL STORAGE				
C2482A	Model 1350sx disk storage system with 1.3GB fast/differential SCSI II disk drive	Model 750 with EISA SCSI II Adapter, SCSI cable and terminator see cable chart	\$8,375.	
C2492A	1.3GB fast/differential SCSI II disk upgrade kit Adds 1.3GB SCSI II disk to C2482A.	C2482A disk storage systems	\$8,025.	
#0D1	Factory installation into C2482A disk storage system		N/C	
#0DF	Customer installation into C2482A		\$100.	
#0DG	Field service installation into C2482A		\$200.	
C2213A	Model 660s Mass Storage System with 660MB SCSI II drive	Model 750, SCSI cable and terminator see cable chart	\$5,175.	\$20.
#002	Add one 660MB Fixed Disk		\$4,850.	\$15.
#022	Add two 660MB Fixed Disks		\$9,700.	\$31.
#003	Add DDS (4mm DAT) Tape Drive		\$4,700.	\$27.
#004	Add 600MB CD-ROM Drive		\$1,250.	\$19.
#005	Add 650MB Magneto-Optical Drive		\$5,400.	\$19.



* Note: All HP Apollo 9000 Series 700 storage products comply with the SCSI II specifications. The SCSI II specification allows for a variety of implementations, and HP uses this variety to achieve the range of price/performance required by our customers.

MODEL 750 ADD-ON OPTIONS (customer or field installed) Cont'd

Product Number	Description	Prerequisite	U.S. LIST \$	Next Day Service
EXTERNAL STORAGE				
A1999A	600MB CD-ROM Drive standalone	Model 750, SCSI cable and terminator see cable chart	\$1,300.	\$21.
C1512A	1.3GB 4mm DAT Tape standalone	Model 750, SCSI cable and terminator see cable chart	\$5,700.	\$30.
C1701A	650MB Magneto-Optical Drive standalone	Model 750 and SCSI cable see cable chart	\$6,435.	\$23.
C1700A	20GB Magneto-Optical autochanger	Model 750 and SCSI cable see cable chart	\$42,000.	\$107.
9144A	67MB 1/4" Cartridge Tape Drive standalone	Model 750 w/EISA HP-IB adapter and cable see cable chart	\$2,600.	\$11.
9145A	133MB 1/4" Cartridge Tape Drive standalone	Model 750 W/EISA HP-IB Adapter and cable see cable chart	\$4,055.	\$11.
EISA INTERFACE OPTIONS				
<i>(4 EISA slots standard on Model 750)</i>				
25525A	EISA SCSI II Host Adapter Connects SCSI II fast/differential devices through EISA slot. Includes a differential, low density terminator.	Model 750 with available EISA slot	\$1,195	
25560A	EISA HP-IB Host Adapter Connects HP-IB peripherals through EISA slot.	Model 750 with available EISA slot	\$1,195	
25567A	EISA LAN/9000 for Series 700 provides second Ethernet LAN. Includes LAN hardware built in ThinMAU and BNC connector.	Model 750 with available EISA slot	\$1,395	
#740	Add ThickMAU, tap, and 6 M AUI cable		\$395	
#840	Add EtherTwist MAU and 1 M cable		\$195	

MODEL 750 ADD-ON OPTIONS (customer or field installed) Cont'd

Product Number	Description	Prerequisite	U.S. LIST \$	Next Day Service
TERMINALS				
<i>(Required for Server operation)</i>				
C1001A	HP 700/92 Terminal Amber Display 14" screen, 8 pages of memory, 80/132 column, printer PORT and ANSI 3.64 with VT220 compatibility <i>Must specify localization option.</i>	<i>Requires cable 24542G, (order from HP Apollo Direct Channel) localization option</i>	\$895.	\$4.
C1001G	HP 700/92 Terminal Green Display 14" screen, 8 pages of memory, 80/132 column, printer PORT and ANSI 3.64 with VT220 compatibility <i>Must specify localization option.</i>	<i>Requires cable 24542G (order from HP Apollo Direct Channel) localization option</i>	\$895.	\$4.
C1001W	HP 700/92 Terminal Soft White Display 14" screen, 8 pages of memory, 80/132 column, printer PORT and ANSI 3.64 with VT220 compatibility <i>Must specify localization option.</i>	<i>Requires cable 24542G (order from HP Apollo Direct Channel) localization option</i>	\$895.	\$4.

TERMINAL LOCALIZATION KIT

(MUST ORDER WITH EVERY TERMINAL)

Localized options #ABA through #AB1 (below)

#ABA	U.S. English	#ABK	ICON	#ABW	Belgian Dutch
#ABC	French Canadian	#ABM	Latin Spanish	#ABX	Finnish
#ABD	German	#ABN	Norwegian	#ABY	Danish
#ABE	European	#ABP	Swiss German	#ABZ	Italian
#ABF	European French	#ABQ	Swiss French	#AB0	Taiwan
#ABH	Dutch	#ABS	Swedish	#AB1	Korean
#ABJ	Katakana	#ABU	UK		

N/C



HP Apollo 9000 Series 700

SERIES 700 UPGRADES (customer or field installed)

Product Number	Description	Prerequisite	U.S. LIST \$	Next Day Service
----------------	-------------	--------------	--------------	------------------

CPU UPGRADES

A1957A	Upgrades a Model 720 to a Model 730 (board upgrade)	Model 720 with EISA upgrade	\$9,000.	\$6.
--------	---	-----------------------------	----------	------

GRAPHICS UPGRADES

98768A	Upgrades a Series 700 Server configuration to a CRX accelerated color graphics workstation Includes graphics interface and 1280x1024, 72Hz monitor	Series 700 SPU	\$9,000.	
98767A	Upgrades a Series 700 Turbo VRX T2 to a T4 configuration. Includes dual transform engine.	Series 700 TurboVRX T2	\$20,000.	
98757A	Upgrades TurboVRX graphics subsystem for a Series 400 to TurboVRX graphics subsystem for a Series 700	Series 400 TurboVRX graphics subsystem	\$10,000.	
#001	For Series 400 Turbo VRX T1 to Series 700 Turbo VRX T2		\$10,000.	
#002	For Series 400 Turbo VRX T2 to Series 700 Turbo VRX T2		N/C	
#003	For Series 400 Turbo VRX T3 to Series 700 Turbo VRX T4		\$10,000.	

STORAGE UPGRADES

C2293A	600MB CD-ROM drive upgrade kit	C2213A Mass Storage Sytem	\$1,450.	\$18.
C2294A	650MB Magneto-Optical Drive upgrade kit	C2213A Mass Storage Sytem	\$5,850.	\$19.

PERIPHERALS

Product Number	Description	Prerequisite	U.S. LIST \$	Next Day Service
LASER PRINTERS				
33471A	HP LaserJet IIP printer with RS232-C and Centronics parallel interfaces.	Requires cable see cable chart	\$1,295.	\$10.
33447A	HP LaserJet IID printer. Includes dual input tray, duplex printing, 24 fonts,, RS232-C and Centronics interface.	Requires cable see cable chart	\$2,630.	\$31.
33449A	HP LaserJet III printer with RS232-C and Centronics parallel interfaces.	Requires cable see cable chart	\$2,395.	\$22.
COLOR INK JET PRINTERS				
3630A	HP PaintJet color ink jet printer for text and graphics. <i>Must specify option #001 or #004</i>	Requires cable see cable chart	\$1,395.	\$5.
#001	HP PaintJet color graphics printer with RS232-C interface.		N/C	
#004	HP PaintJet color graphics printer with Centronics interface.		N/C	
C1602A	HP PaintJet XL color graphics printer. User's guide, set up guide, supplies and power cord included. <i>Must specify option #1AX</i>	Requires cable see cable chart	\$2,495.	\$6.
#1AX	HP PaintJet XL color graphics printer with RS232-C and Centronics parallel interfaces.		N/C	
IMPACT PRINTERS				
2562C	Line Matrix printer <i>Must order option #049 or #053</i>	Requires cable see cable chart	\$5,500.	\$46.
#049	RS232-C interface subsystem.		\$150.	
#053	Centronics interface subsystem.		\$150.	
2563C	Impact printer - 420 lpm <i>Must order option #049 or #053</i>	Requires cable see cable chart	\$8,490.	\$50.
#049	RS232-C interface subsystem.		\$200.	
#053	Centronics interface subsystem.		\$200.	
2564C	Impact printer - 840 lpm <i>Must order option #049 or #053</i>	Requires cable see cable chart	\$13,490.	\$81.
#049	RS232-C interface subsystem.		\$240.	
#053	Centronics interface subsystem.		\$200.	
2566C	Impact printer - 1200 lpm <i>Must order option #049 or #053</i>	Requires cable see cable chart	\$26,950.	\$190.
#049	RS232-C interface subsystem.		\$385.	
#053	Centronics interface subsystem.		\$385.	
2567C	Impact printer - 1600 lpm <i>Must order option #049 or #053</i>	Requires cable see cable chart	\$34,000.	\$201.
#049	RS232-C interface subsystem.		\$385.	
#053	Centronics interface subsystem.		\$385.	

PERIPHERALS Cont'd

Product Number	Description	Prerequisite	U.S. LIST \$	Next Day Service
ELECTROSTATIC PLOTTERS				
C1625A	HP 7600 Series Model 250 , monochrome electrostatic plotter. <i>Must specify localization option. For HP-IB connectivity an HP-IB interface board is required.</i>	Requires cable see cable chart	\$27,900.	\$82.
C1627A	HP 7600 Series Model 255 , monochrome electrostatic plotter. <i>Must specify localization option. For HP-IB connectivity an HP-IB interface board is required.</i>	Requires cable see cable chart	\$31,900.	\$103.
C1620A	HP 7600 Series Model 355 , color electrostatic plotter. <i>Must specify localization option. For HP-IB connectivity an HP-IB interface board is required.</i>	Requires cable see cable chart	\$49,900.	\$206.
PEN PLOTTERS				
7440A	HP ColorPro plotter for A-size. <i>Must specify option #001.</i>	Requires cable see cable chart	\$1,295.	\$4.
#001	RS232-C interface.		N/C	
7475A	HP 7475A plotter for A/B-size. <i>Must specify option #001.</i>	Requires cable see cable chart	\$1,895.	\$8.
#001	RS232-C interface.		N/C	
7550B	HP 7550 Plus plotter for A/B-size. <i>Must specify option #005.</i>	Requires cable see cable chart	\$3,995.	\$15.
#005	Serial Interface		\$200.	
7570A	HP DraftPro plotter for C/D-size, 8-pen plotter. RS232-C interface standard.	Requires cable see cable chart	\$3,995.	\$11.
7575A	HP DraftPro DXL plotter for A through D-size, 8-pen plotter. RS232-C interface standard.	Requires cable see cable chart	\$4,995.	\$11.
7576A	HP DraftPro EXL plotter for A through E-size, 8-pen plotter. RS232-C interface standard.	Requires cable see cable chart	\$6,495.	\$11.
7595B	HP DraftMaster SX plotter High performance for . A through E-size, 8-pen plotter. Single sheet feeder. RS232-C interface standard.	Requires cable see cable chart	\$8,495.	\$23.
7596B	HP DraftMaster RX plotter High performance for . A through E-size, 8-pen plotter. Roll or sheet feed. RS232-C interface standard.	Requires cable see cable chart	\$9,995.	\$23.
7599A	HP DraftMaster MX plotter High performance for . A through E-size, 8-pen plotter. Roll or sheet feed. Four RS232-C ports and 20-megabyte hard disk standard.	Requires cable see cable chart	\$11,995.	\$27.

PERIPHERALS Cont'd

Product Number	Description	Prerequisite	U.S. LIST \$	Next Day Service
HP-HIL DEVICES (HP-UX)				
46084A	HP-HIL ID Module.		\$200.	
46085A	HP-HIL Control Dial Module. 9 user definable RPG knobs		\$1,450.	
46086A	HP-HIL button box with 32 keys		\$965. —	
46021A	HP-HIL U.S. Keyboard. For use with HP-HIL interface. Keyboard cable included when ordering with a system or terminal. When ordered alone a 46020-60001 must also be added.		\$185.	
46060B	HP-HIL 3 button mouse		\$180.	
M1309A	HP-HIL 3 button Trackball input device.		\$302.	
45911C	HP-HIL Digitizer, 11" x 11". Includes stylus, 4-button cursor, HP-HIL cable, overlay hold-down protector and user manual.		\$599.	\$3.
46087C	HP-HIL Digitizer, ANSI A/ISO A4 size. Includes tip-switch stylus.		\$875.	\$15.
46088C	HP-HIL Digitizer, ANSI B/ISO A3 size. Includes tip-switch stylus.		\$1,405.	\$16.
46090C	HP-HIL Digitizer, ANSI A/ISO A4 size. Includes 4-button cursor with crosshair.		\$875.	\$16.

CABLES

SCSI II Cables

CAUTION: SCSI II cables and terminators for connecting external peripherals to Series 700 computers **MUST** be ordered separately. Failure to order these parts as needed will result in delivery of unusable systems.

Because of the variety of connectors used with SCSI II devices throughout the industry, and because we cannot have prior knowledge of cable lengths required for individual configurations at each site, neither Hewlett Packard Series 700 workstations nor (most) Hewlett Packard peripherals include SCSI II cables.

Cables are available from Hewlett Packard in all necessary combinations of connectors and in several lengths. The peripherals they connect and the specific cable types for each peripheral are detailed in Table 1 below.

Connectors

There are currently 2 SCSI II connector types recommended for use with the workstations and SCSI II peripherals listed in this guide:

1. The SCSI II connector recommended for attachment to Series 700 computers is a High Density Thumb Screw connector.
2. Hewlett Packard supplied SCSI II peripheral devices supported under HP-UX are attached through the use of a Low Density Bail Lock connector.

The cable required depends upon the two devices being connected. The first external device will be connected to the SPU, so one connector of the cable should be the High Density Thumb Screw connector. **Connecting first SCSI II device:** The other connector for attachment to a Hewlett Packard supplied SCSI II peripheral devices supported under HP-UX will be the Low Density Bail Lock type. **Connecting subsequent SCSI II devices:** If a second HP SCSI II device is attached to the first device, the cable must be one with low density connectors on both ends.

Cable Length

Choices of length are available for each cable type. Remember that the definition of single-ended SCSI II limits the total cable length of SCSI II cables to 6 meters, while differential SCSI II systems are limited to 25 meters.. This includes the length of cabling internal to each device. Internal cable lengths are shown in Table 1.

Internal SCSI II Cable Length for Various Devices

Table 1

Peripheral	Description	Internal Length
C1700A	6300 20GB/A	0.9 Meters
C1701A	6300 650/A Optical	0.1 Meters
C2213A	6000 664 MB Disk	1.5 Meters
C2214A	6000 1.4 GB Disk	1.5 Meters
A1999A	6100 700/S CD-ROM	0.1 Meters
C1512A	6400 1300/S 4mm DAT	TBD
C2482A	1350sx 1.3GB Fast/Differential Disk	TBD

CABLES Cont'd

Series 700 SCSI II Restrictions

1. Only Hewlett Packard approved SCSI II cables should be used with the Series 700 and any connected SCSI II devices.. Always use the shortest possible cable(s) for your configuration. Use of non-HP cables may result in significant problems with system operation.
2. If the Series 700 has internal disk drives, you must count them as SCSI II devices for device count and cable length.
3. It is recommended that when adding third party SCSI II devices, total cable length external to the Series 700 system unit (both external cables and cables internal to the devices) be limited to 4.6 meters (15 feet) for single-ended devices and 25 meters for differential devices.

Cables and Terminators for Connecting Series 700 to External Drives and Tapes

Device support changes more often than this manual can be updated. Please check with your local HP Sales office for a current support matrix. Remember that SCSI II cables are not shipped with the Series 700 workstations or with most HP SCSI II peripheral devices (check prerequisites for specific devices). For added convenience cables may be ordered separately from HP Apollo Direct Channel. For orders in the U.S., call 1-800-225-5290 (this order method is not yet available outside the U.S.).

The SCSI II bus must always be terminated. A terminator for the Series 700 workstations is shipped with both the Series 700 workstation and the EISA SCSI II host adapter card to be used where no external device is connected. If external devices are connected, the last device in the daisy-chain must be terminated. The proper terminator for the external device connector type must be used.

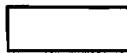
The table on the next page details the SCSI II cables and terminators used to connect and terminate the listed devices when used with the Series 700.



HP Apollo 9000 Series 700

SCSI-II CABLING AND TERMINATORS FOR THE SERIES 700

CONNECTING FROM	TO					
	Series 6000 Model 660 Mass Stor. Sys. C2213A	Series 6400 Model 1300s DDS Standalone C1512A	CD-ROM Standalone A1999A	Series 6300 Model 650A Mag. optic. Standalone C1701A	Series 6300 Mag. optic. 20GB Disk Changer C1700A	Model 1350SX Fast (Differential) Disk Tower C2482A
Model 720, 730, 750 Standard SCSI-II Port	Order Thumb Screw Cable: K2296 .9 meter or or * K2297 1.5 meter			Order Terminator: K2291 For last HP peripheral		
Model 720, 730, 750 EISA Fast SCSI-II Port (Differential) (part # 25525A)						Order Cable: K2296 .9 meter or K2297 1.5 meter Terminator Included with EISA SCSI II Adapter Card Prod. # 25525A
Series 6000 Model 660s Mass Stor. Sys. C2213A	Order Cable: 92222A .5 meter or 92222B 1.0 meter or 92222C 2.0 meter			Order Terminator: K2291 For last HP peripheral		
Series 6400 Model 1300s DDS Standalone C1512A						
CD-ROM Standalone A1999A						
Series 6300 Model 650A Mag. optic. Standalone C1701A	Order Cable: 92222A .5 meter or 92222B 1.0 meter or 92222C 2.0 meter					
Mag. optical 20 GB Disk Changer C1700A	Order Terminator: K2291 For last HP peripheral					
Model 1350SX Fast (Differential) Disk Tower C2482A						Order Cable: 92222A .5 meter or 92222B 1.0 meter or 92222C 2.0 meter Terminator Included with EISA SCSI II Adapter Card Prod. # 25525A



Match intersecting systems and select cable and terminator shown in white space.



CONFIGURATION NOT SUPPORTED
Fast differential SCSI-II will not work with normal (single-ended) SCSI-II.
HP-UX only supports one of each removable drive type per system.

* The Series 700 integral SCSI II connector can accommodate both thumb screw and squeeze lock SCSI cables. Thumb screw connectors are judged to be superior and more reliable, squeeze locks more convenient.

Note: Take care not to exceed 7 SCSI-II devices when connecting expansion systems on each SCSI-II Bus. Order only one terminator per chain.

CABLES Cont'd

CAUTION: Cables for connecting hardcopy peripherals to Series 700 **MUST** be ordered separately. Failure to order these parts as needed will result in delivery of unusable peripherals.

RS232-C Interface

The primary cable for a serial connection to the HP/Apollo 9000 Series 700 is cable model #24542G which is 9-pin F/25-pin M serial printer/Plotter cable 3.0 m (9.9 ft.) The serial connection can be extended as follows:

- * 50 ft. Extension: cable model #92215F (25-pin F/25-pin M, 15.0m cable).
- * 100 ft. Extension: cable model #92215T (25-pin F/25-pin M, 30.0m cable).

Centronics Parallel Interface

The primary Centronics parallel interface cable is cable model # 92284A which is a 36-pin M/25-pin M cable, 2.13m (6.6 ft.) long. This cable can be extended by an additional 9.9 ft. (3.0m) by using cable model #17355D (25-pin F/25-pin M straight-through cable.).

HP-IB Interface

The HP-IB interface is offered with only one primary cable with the suffix denoting the cable length. The cables for this connection are as follows:

- * Model #10833A 1.0m (3.3 ft.)
- * Model #10833B 2.0m (6.6 ft.)
- * Model #10833C 4.0m (13.2 ft.)
- * Model #10833D 0.5m (1.6 ft.)

DEVICE \ INTERFACE	RS-232	Centronics	HP-IB
LaserJet Series: IID, IIP, III, IIID, and IIISi	24542G	92284A	Not Supported
PaintJet, PaintJet XL	24542G	92284A	Not Currently Supported
2562C, 2563C, 2564C, 2566C and 2567C	24542G	92284A	Not Currently Supported
All Pen Plotters except HP7550B	24542G	Not Supported	Not Currently Supported
HP7550B	24542H	Not Supported	Not Currently Supported
Electrostatic Plotters HP7600 Series 355, 255 and 250	24542G	92284A	10833A 10833B 10833C 10833D



- SOFTWARE INTRODUCTION -

ADDING SOFTWARE TO THE SERIES 700

HP-UX RUN TIME LICENSE

All Series 700 Workstations include a 2-user license-to-use for the HP-UX Run-Time environment. A 32-user license can also be ordered. The actual HP-UX software, however, must be explicitly loaded onto the workstation's disk by one of two methods:

Method A

Order Instant Ignition. HP-UX 8.05 Run-Time Instant Ignition delivers the Run-Time environment pre-installed and preconfigured on the Series 700 disk. For customers developing software in C, HP-UX 8.05 C/ANSI C Developer's Bundle Instant Ignition is a new Instant Ignition option that pre-loads and pre-configures not only the HP-UX 8.05 Run-Time Environment, but also the new C/ANSI C Developer's Bundle. Ordering information on Instant ignition is included in the hardware sections of this Price Guide.

Method B

Order the HP-UX software on either DDS format (4mm DAT) tape or CD-ROM media and load the software onto the disk.

No matter which method of loading HP-UX Run-Time is used above, at least one copy of HP-UX media is strongly recommended per workgroup (primarily for recovery, installation, and administration needs). All HP-UX media products include a core set of installation and administration documentation.

In addition to HP-UX, other HP software is frequently desired. To order Series 700 HP software, follow these general steps: For pictorial representation of this process, see the flow chart at the end this section.

STEP 1: Order the appropriate HP-UX media product (one per workgroup recommended)

A. CD-ROM customers:

1. Order the CD-ROM media kit, B2358A. Option AAB is recommended to allow delivery of a pre-computed codeword.
2. If a 32 user HP-UX environment is desired, also order B2353A with option AAU.

B. DDS (Digital Audio Tape) customers:

1. If a 2 user HP-UX environment will suffice, order B2352A with option AAH. ✓
2. If a 32 user HP-UX environment is needed, order B2353A with option AAH.



STEP 2: Order other software products required:

A. CD-ROM customers:

Order all desired products and be sure to select the no-charge CD-ROM option (#AAU) for each. This will allow delivery of a codeword to "unlock" all ordered products from the CD-ROM media kit (B2358A). When ordering multiple licenses, the option #AAU only needs to be selected once for each workgroup. For example, 10 Fortran licenses must be ordered to use Fortran on 10 workstations. However, one option #AAU selection is sufficient to allow the customer to install Fortran from the CD-ROM set (and optionally distribute the software over the network). The general rule is that one option #AAU selection is needed per product for each CD-ROM media kit. Also, note that *in order to receive the pre-computed codeword, the additional software, with option #AAU, must be ordered in the same order section as the CD media kit.* (For more details on the new CD-ROM ordering process, see the Field Training Manual for HP-UX Software on CD-ROM and the Field Training Manual for HP-UX 8.0.)

B. DDS (Digital Audio Tape) customers:

Order all desired products and select option #AAH for media. As with HP-UX, at least one copy of media for each product is recommended per workgroup.

- SOFTWARE INTRODUCTION Cont'd -

An Explanation of CD-ROM Software Distribution

Optional HP Software for the Series 700, like HP-UX, is available only on DDS (4mm DAT) Tape or CD-ROM. Ordering and distribution of software on DDS format tape is similar to the traditional HP-UX magnetic media options. The methods for ordering and installing HP software on CD-ROM are new, and need some explanation.

All HP software distributed on CD-ROM comes loaded on the discs included in **HP-UX Software on CD Media (B2358A)**. Most can only be accessed using a special **codeword** which "unlocks" it. The basic 2-user HP-UX Run-Time and other free software are unlocked and immediately available on the CD media (B2358A) when it is delivered. Access to additional software is provided through codewords. If you order CD media (B2358A) with the HP-HIL ID module (option #AAB), and order additional HP software products through the CD-ROM certificate (option #AAU) in the same section of the order, then the CD-ROM codeword is delivered with the shipment to provide access to the software products. The codeword is made up of elements specific to the CD-ROM disc, the HP-HIL ID module, and the additional software ordered. Since all these elements are available in this case, the codewords can be precomputed and available to unlock the software immediately upon delivery of the software products. Ordering option #AAB is strongly recommended to provide the convenience of the pre-computed codewords.

If you order the CD disc set without the HP-HIL ID module (option #AAF), a CD-ROM entitlement certificate for any additional software you order will be delivered. Instructions are provided on how to contact HP for necessary codeword. The process requires that the customer provide the "hardware ID", CD-ROM disc part numbers, and information from the CD-ROM entitlement certificates. This may be an existing HP-HIL ID module, a C1707A serial number, or the "SW ID" of the Series 700 SPU. This process is also used when ordering additional software on an order subsequent to the order for the CD media (no additional copy of the CD media is required). HP will provide the codeword within eight hours of a completed request.

Once the codeword is obtained for a software product, additional licenses for workstations in the same workgroup may be purchased without the CD certificate. The software may be installed over the network (through the "netdist" command), or locally installed at each workstation using the same hardware ID device, CD-ROM media, and codeword used for the original installation.

ORDERING DOCUMENTATION FOR THE SERIES 700

Documentation may be ordered in two formats: Hardcopy or CD-ROM.

To order documents on CD-ROM, order the **HP-UX Series 700 Documentation** base product (B2355A) and select option #0BC which delivers the documentation on CD-ROM and access software with 1-user license-to-use. Additional user licenses are available in multiples of 4, through the 4-user add-on (option #UA2).

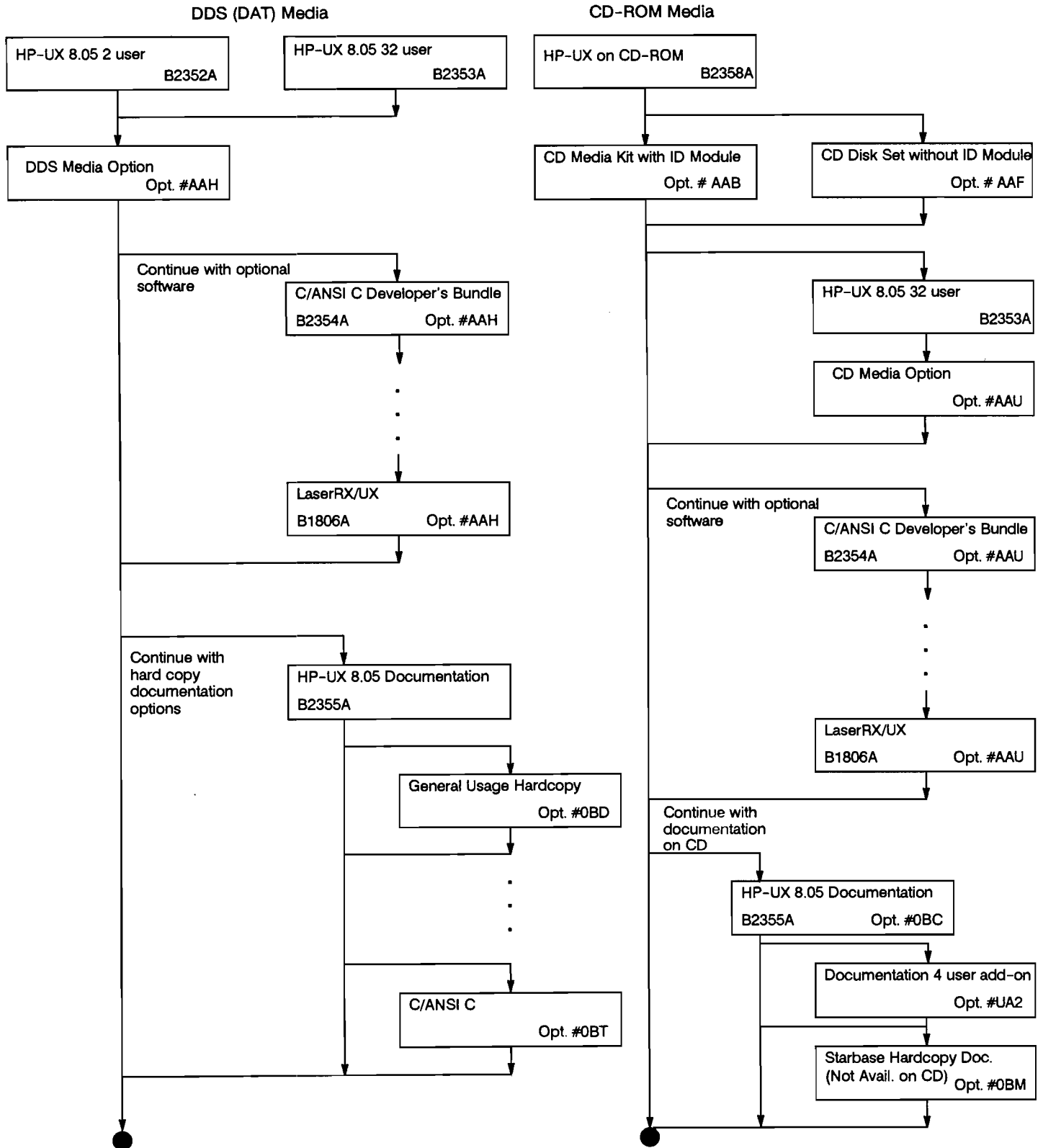
Hardcopy documents can be ordered in three ways: (1) as a document set option to the **HP-UX Series 700 Documentation** base product (B2355A), (2) as an option to a software license (option #0BJ), or (3) as an individual document from the HP Apollo Direct Channel or from HP DMK (Direct Marketing Division). To order the document sets, simply order the base product (B2355A) and the desired document set option. To order individual documents, see the Document part-number table at the back of this Software section.



HP Apollo 9000 Series 700

ADDING SOFTWARE TO THE SERIES 700

Select a Media Option First



SOFTWARE

Product Number	Description	U.S. LIST \$
----------------	-------------	--------------

SOFTWARE ON CD MEDIA

B2358A	HP-UX Software on CD Media. Includes HP-UX 8.05 and related software products (as available) on CD-ROM media.	
#AAB	CD Media Kit. Includes software on CD-ROM, pre-computed codeword for software products ordered concurrently, and HP-HIL ID module. Documentation included: Installing and Updating HP-UX, Installing Peripheral, HP VUE configuration guide, and HP VUE System Administration manual.	\$595.
#AAF	CD Disc Set. Includes software on CD-ROM. Does not include HP-HIL ID module. Documentation included: Installing and Updating HP-UX, Installing Peripheral, HP VUE configuration guide, and HP VUE System Administration manual.	\$495.

HP-UX 8.05 RUN-TIME ENVIRONMENT

B2352A	HP-UX 8.05 Run-Time Environment, 2 user. Includes HP-UX operating system, HP VUE, NFS, ARPA, Diskless, SAM, and runtime support for X11, OSF/Motif, Starbase, Starbase Display List, NCS and NetLS.. <i>NOTE:</i> Software is also available on CD-ROM media (B2358A). For complete documentation, see B2355A.	
#AAH	Provides software on DDS (4mm DAT) tape. Documentation included: Installing and Updating HP-UX, Installing Peripheral, HP VUE configuration guide, and HP VUE System Administration manual. For complete documentation see B2355A.	\$395.
B2353A	HP-UX 8.05 Run-Time Environment, 32 user. Includes 32-user HP-UX operating system, HP VUE, NFS, ARPA, Diskless, SAM, and runtime support for X11, OSF/Motif, Starbase, Starbase Display List, NCS and NetLS.. <i>NOTE:</i> Software is also available on CD-ROM media (B2358A). For complete documentation, see B2355A.	\$1,895.
#AAH	Provides software on DDS (4mm DAT) tape. Documentation included: Installing and Updating HP-UX, Installing Peripheral, HP VUE configuration guide, and HP VUE System Administration manual. For complete documentation see B2355A.	\$395.
#AAU	CD-ROM certificate. Required to access software on CD-ROM media.	N/C

DOCUMENTATION

B2355A	HP-UX 8.05 Documentation. Documentation is available on CD-ROM or in hardcopy form.	
#0BC	Documentation on CD-ROM. Includes 1-user license-to-use.	\$795.
#UA2	4-user add-on for CD-ROM Documentation. Provides license-to-use for 4 additional users on CD-ROM documentation access software.	\$395.
#0BD	General Usage. Includes hardcopy general user's guides for HP-UX, HP VUE, and X windows. <i>NOTE: this set is shipped with each HP-UX workstation.</i>	\$130.
#0BE	HP-UX System Administration and Installation. Includes hardcopy administration and installation manuals for HP-UX, networking, and HP VUE.	\$650.
#0BF	General Programming. Includes hardcopy manuals for assembler, device I/O, native language support and general HP-UX programming techniques.	\$325.
#0BG	HP-UX User's Guides. Includes hardcopy manual for UUCP, mail, text formatting/processing, shells and editors.	\$175.
#0BL	User Environment. Includes hardcopy programming manuals for X Tollokit, Intrinsics, Xlib, HP VUE and OSF/Motif.	\$695.
#0BM	Starbase. Includes hardcopy programming manuals for Starbase, Starbase Display List, and Radiosity . an Ray Tracing	\$975.
#0BT	C/ANSI C. Includes Hardcopy manuals for C/ANSI C and symbolic debugger.	\$195.

SOFTWARE Cont'd

Product Number	Description	U.S. LIST \$
DEVELOPMENT PRODUCTS		
B2354A	HP-UX 8.05 C/ANSI C Developer's Bundle. Includes license-to-use for one workstation; C/ANSI C compiler, debugger; development tools for X11, OSF/Motif, HP VUE, Starbase, Starbase Display List, and General Programming Tools. <i>NOTE:</i> Software is available on CD-ROM media (B2358A). For complete documentation, see B2355A.	\$1,795.
#AAH	Provides software on DDS (4mm DAT) tape.	\$195.
#AAU	CD-ROM certificate. Required to access software on CD-ROM media.	N/C
B2356A	HP-UX 8.05 Developer's Toolkit Includes license-to-use for one workstation; Development Tools for X11, OSF/Motif, HP VUE, Starbase, Starbase Display List, and General Programming Tools. <i>NOTE:</i> Software is available on CD-ROM media (B2358A). For complete documentation, see B2355A.	\$395.
#AAH	Provides software on DDS (4mm DAT) tape.	\$195.
#AAU	CD-ROM certificate. Required to access software on CD-ROM media.	N/C
B2357A	HP-UX 8.05 General Programming Tools. Includes site license-to-use General Programming and version control commands. <i>NOTE:</i> Software is available ("unlocked") on CD-ROM media (B2358A). For complete documentation, see B2355A.	
#AAH	Provides software on DDS (4mm DAT) tape.	\$195.
B2413A	C/ANSI C License-to-use C/ANSI C for one Series 700 workstation.	\$1,500.
#AAH	Provides software on DDS (4mm DAT) tape.	\$195.
#AAU	CD-ROM certificate. Required to access software on CD-ROM media.	N/C
#OBJ	Hardcopy manuals	\$195.
B2408A	Fortran 77 License-to-use Fortran for one Series 700 workstation.	\$1,800.
#AAH	Provides software on DDS (4mm DAT) tape.	\$195.
#AAU	CD-ROM certificate. Required to access software on CD-ROM media.	N/C
#OBJ	Hardcopy manuals	\$195.
B2414A	Pascal License-to-use Pascal for one Series 700 workstation.	\$1,500.
#AAH	Provides software on DDS (4mm DAT) tape.	\$195.
#AAU	CD-ROM certificate. Required to access software on CD-ROM media.	N/C
#OBJ	Hardcopy manuals	\$195.
B2430A	COBOL/HP-UX Developer Package for HP9000 Series 700	\$8,250.
#AAH	Provides software on DDS (4mm DAT) tape.	\$195.
#OBJ	Hardcopy manual	\$195.

SOFTWARE Cont'd

Product Number	Description	U.S. LIST \$
DEVELOPMENT PRODUCTS Cont'd		
B2431A	COBOL/HP-UX Compiler for HP9000 Series 700	\$4,950.
#AAH	Provides software on DDS (4mm DAT) tape.	\$195.
#0BJ	Hardcopy manual	\$195.
B2432A	COBOL/HP-UX Run-Time System for HP9000 Series 700	\$1,250.
#AAH	Provides software on DDS (4mm DAT) tape.	\$195.
B2402A	HP C++ License-to-use HP C++ compiler, based on AT&T's 2.1 version for Series 700. <i>Requires prior or concurrent purchase of C++ media/manual product (B2403A).</i> <i>Prerequisites:</i> Must specify a minimum of one license-to-use option below:	
#0AN	License-to-use HP C++ version 2.1 on one (1) seat.	\$1,700.
#0A9	License-to-use HP C++ version 2.1 on ten (10) seats.	\$13,600.
#0AG	License-to-use HP C++ version 2.1 on twenty-five (25) seats.	\$29,750.
#0AA	License-to-use HP C++ version 2.1 on fifty (50) seats.	\$51,000.
B2403A	HP C++ media and manuals HP C++ media and manuals (B2402A) on Series 700. HP C++ compatible with HP-UX 8.01 and later releases. Must specify media option.	
#AAH	Provides software on DDS (4mm DAT) tape.	\$240.
#AAU	CD-ROM certificate. Required to access software on CD-ROM media.	N/C
B2406A	HP C++ Developer License-to-use HP C++ Developer Browsing and Construction Tool for Series 700.	
#0AN	License-to-use HP C++ version 2.1 on one (1) seat.	\$2,000.
#0A9	License-to-use HP C++ version 2.1 on ten (10) seats.	\$18,000.
#0AG	License-to-use HP C++ version 2.1 on twenty-five (25) seats.	\$37,500.
#0AA	License-to-use HP C++ version 2.1 on fifty (50) seats.	\$60,000.
B2407A	HP C++ Developer media and manuals HP C++ Developer and manuals (B2406A) on Series 700.	
#AAH	Provides software on DDS (4mm DAT) tape.	\$195.
#AAU	CD-ROM certificate. Required to access software on CD-ROM media.	N/C
B2673A	Open Dialogue Developer's Kit for Series 700. License-to-use Open Dialogue Developer's Kit on one Series 700 workstation.	\$1,845.
#AAH	Provides software on DDS (4mm DAT) tape.	\$195.
#AAU	CD-ROM certificate. Required to access software on CD-ROM media.	N/C
#0BJ	Hardcopy manuals	\$75.
B2425A	HP Ada Development System for Series 700. License-to-use V5.45.	\$6,985.
#AAH	Provides software on DDS (4mm DAT) tape.	\$195.
#AAU	CD-ROM certificate. Required to access software on CD-ROM media.	N/C
#0BJ	Hardcopy manuals	\$155.



SOFTWARE Cont'd

Product Number	Description	U.S. LIST \$
----------------	-------------	--------------

DEVELOPMENT PRODUCTS Cont'd

B2424A	HP Ada Bindings for Series 700. License-to-use V5.45, GKS, Starbase, HP-UX, XLib and Xtk/Motif bindings.	\$6,965.
#AAH	Provides software on DDS (4mm DAT) tape.	\$195.
#AAU	CD-ROM certificate. Required to access software on CD-ROM media.	N/C
#0BJ	Hardcopy manuals	\$155.
B2424B	HP Ada Bindings for Series 700. License-to-use V5.45, XLib and Xtk/Motif bindings.	\$3,965.
#AAH	Provides software on DDS (4mm DAT) tape.	\$195.
#AAU	CD-ROM certificate. Required to access software on CD-ROM media.	N/C
#0BJ	Hardcopy manuals	\$155.

GRAPHICS

B2377A	HP-GKS Libraries License-to-use HP-GKS graphics library for one Series 700 workstation HP-UX version 8.05.	\$1,500.
#AAH	Provides software on DDS (4mm DAT) tape.	\$195.
#AAU	CD-ROM certificate. Required to access software on CD-ROM media.	N/C
#0BJ	Hardcopy manuals	\$300.
B2363B	HP-PHIGS 2.11 Development Libraries License-to-use HP-PHIGS 2.11 development libraries for one Series 700 workstation. For use with HP-UX version 8.01 & 8.05. Supports PersonalVRX, TurboVRX and CRX.	\$3,400.
#AAH	Provides software on DDS (4mm DAT) tape.	\$195.
#AAU	CD-ROM certificate. Required to access software on CD-ROM media.	N/C
#0BJ	Hardcopy manual	\$350.
B2364B	HP-PHIGS 2.11 Run-Time Libraries License-to-use HP-PHIGS 2.11 runtime product for one Series 700 workstation. For use with HP-UX version 8.01 & 8.05. Supports PersonalVRX, TurboVRX and CRX.	\$500.
#AAH	Provides software on DDS (4mm DAT) tape.	\$195.
#AAU	CD-ROM certificate. Required to access software on CD-ROM media.	N/C

DOS EMULATION

B2382A	SoftPC3.0 License-to-use License-to-use SoftPC 3.0 for one Series 700 workstation.	\$700.
#AAH	Provides software on DDS (4mm DAT) tape.	\$195.
#AAU	CD-ROM certificate. Required to access software on CD-ROM media.	N/C
#0BJ	Hardcopy manuals	\$150.

SOFTWARE Cont'd

Product Number	Description	U.S. LIST \$
NATIVE LANGUAGES		
B2201A	NLIO Japanese for Series 700 License-to-use Japanese NLIO on one Series 700 workstation.	\$605.
#AAH	Provides software on DDS (4mm DAT) tape.	\$195.
#AAU	CD-ROM certificate. Required to access software on CD-ROM media.	N/C
#0BJ	Hardcopy manuals	\$105.
B2205A	NLIO Korean for Series 700 License-to-use Korean NLIO on one Series 700 workstation.	\$605.
#AAH	Provides software on DDS (4mm DAT) tape.	\$195.
#AAU	CD-ROM certificate. Required to access software on CD-ROM media.	N/C
#0BJ	Hardcopy manuals	\$105.
B2209A	NLIO Chinese for Series 700 License-to-use Chinese NLIO on one Series 700 workstation.	\$605.
#AAH	Provides software on DDS (4mm DAT) tape.	\$195.
#AAU	CD-ROM certificate. Required to access software on CD-ROM media.	N/C
#0BJ	Hardcopy manuals	\$105.
B2213A	NLIO Simplified Chinese for Series 700 License-to-use Simplified Chinese NLIO on one Series 700 workstation.	\$605.
#AAH	Provides software on DDS (4mm DAT) tape.	\$195.
#AAU	CD-ROM certificate. Required to access software on CD-ROM media.	N/C
#0BJ	Hardcopy manuals	\$105.
NETWORK COMPUTING DEVELOPMENT TOOLS		
B2144A	LSLOCK HP Binary for Series 700. License to use development tools for the Network license system. Includes licensing software and managing software modules .	\$4,808.
#AAH	Provides software on DDS (4mm DAT) tape.	\$195.
#AAU	CD-ROM certificate. Required to access software on CD-ROM media.	N/C
#0BJ	Hardcopy manuals	\$47.
B2674A	NCS/NIDL for Series 700. License-to-use NIDL compiler on one Series 700 workstation.	\$860.
#AAH	Provides software on DDS (4mm DAT) tape.	\$195.
#AAU	CD-ROM certificate. Required to access software on CD-ROM media.	N/C
#0BJ	Hardcopy manuals	\$150.

SOFTWARE Cont'd

Product Number	Description	U.S. LIST \$
OTHER		
B1504A	HP Visual Editor 2.0 for HP-UX 8.05 License-to-use, Visual Editor 2.0 for Hp-UX 8.05.	\$165.
#AAH	Provides software on DDS (4mm DAT) tape.	\$195.
#AAU	CD-ROM certificate. Required to access software on CD-ROM media.	N/C
#0BJ	Hardcopy manuals	\$25.
J2140A	LTU NS/9000 License-to-use Network Services/9000 on one Series 700 workstation.	\$700.
#AAU	CD-ROM certificate. Required to access software on CD-ROM media.	N/C
#033	Hardcopy manuals	\$75.
B1807A	HP GlancePlus for Series 700 License-to-use HP GlancePlus/UX on a single Series 700 workstation.	\$500.
#0BE	User manual	\$60.
#AAH	Provides software on DDS (4mm DAT) tape.	\$195.
#AAU	CD-ROM certificate. Required to access software on CD-ROM media.	N/C
B1806A	HP LaserRX/UX Collector for Series 700 License-to-use HP LaserRX/UX on a single Series 700 workstation.	\$1,000.
#0BE	User manual	\$60.
#AAH	Provides software on DDS (4mm DAT) tape.	\$195.
#AAU	CD-ROM certificate. Required to access software on CD-ROM media.	N/C



HEWLETT
PACKARD

apollo
systems division

HP Apollo 9000 Series 700

DOCUMENTATION

This table represents the manuals available with the HP-UX Documentation (B2355A) product. These manuals may also be purchased separately by calling Direct Marketing Division (DMK).

B2355A for Series 700	Part numbers	CD-ROM
<p>#0BD General Usage (one set included with each HP-UX workstation)</p> <p>HP VUE User's Guide Using the X Window System A Beginner's Guide to HP-UX Finding Information (HP-UX)</p>	<p>B1171-90022 B1171-90037 B1862-90000 B2355-90007</p>	<p>Yes Yes Yes Yes</p>
<p>#0BE System Administration and Installation</p> <p>Installing and Administering LAN Using Serial Line IP Protocols Networking Overview Using NFS Services Installing and Administering NFS Using ARPA Services Installing and Administering ARPA Services HP VUE Configuration Guide HP VUE System Administration Installing and Updating HP-UX Master Index (HP-UX) Error Message Catalog (HP-UX) How HP-UX Works: Concepts for the System Administrator Managing Clusters of HP 9000 Computers Sharing the HP-UX File System Installing Peripherals System Administration Tasks HP-UX System Security Solving HP-UX Problems HP-UX Reference Managing Software Products with Network License System Managing NCS Software EISA Configuration Utility for HP-UX</p> <p>* Manuals shipped with HP-UX tape products, B2352A, B2353A, and CD-ROM media products, and B2358A.</p>	<p>98194-60526 98194-60522 B1012-90012 B1013-90008 B1013-90009 B1014-90006 B1014-90007 *B1171-90021 *B1171-90023 *B2355-90000 B2355-90008 B1862-90004 B2355-90005 B2355-90009 *B2355-90006 B2355-90003 B1862-90009 B1862-90010 B2355-90004 D-11272-B D-11895-C B2370-90000</p>	<p>Yes Yes Yes Yes Yes Yes Yes Yes Yes Yes N/A Yes Yes Yes Yes Yes N/A N/A Yes</p>
<p>#0BG HP-UX User's Guides</p> <p>Remote Access: Kermit, UUCP, vt Mail System: elm, mailx Terminal Control: curses, Term0, ITE Text Formatting: mm, tbl, nroff Number Processing: bc, bs, dc Text Processing: awk, ed, sed Shells: Bourne, C, Korn, Keyshell, PAM Ultimate Guide to VI and EX Text Editors</p>	<p>B1862-90011 B1862-90012 B1862-90013 B1862-90014 B1862-90015 B1862-90016 B1862-90017 97005-90015</p>	<p>Yes Yes Yes Yes Yes Yes Yes Yes</p>
<p>#0BT C/ANSI C Compiler</p> <p>HP-UX Symbolic Debugger C Programmer's Guide C Programming Tools C Reference</p>	<p>B1864-90005 92434-90002 B1864-90009 92453-90024</p>	<p>Yes Yes Yes Yes</p>

B2355A for Series 700	Part numbers	CD-ROM
<p>#0BF General Programming</p> <p>LLA Programmer's Guide Berkeley IPC Programmer's Guide NetIPC Programmer's Guide Programming and Protocols for NFS Services HP-UX Reference Posix Conformance Document Device I/O: DIL, HP-HIL Native Language Support HP-UX Assembler and Tools HP-UX ADB Tutorial HP-UX Portability Guide Programming on HP-UX</p>	<p>98194-60524 98194-60525 98194-60527 B1013-90010 B2355-90004 B1864-90001 B1864-90002 B1864-90003 92432-90001 92432-90002 B1864-90006 B2355-90010</p>	<p>N/A N/A N/A Yes Yes Yes Yes Yes Yes Yes Yes Yes Yes</p>
<p>#0BL User Environment</p> <p>HP VUE User Environment Programmer's Guide Programming with Xlib X Toolkit Intrinsics Programming X Toolkit Intrinsics Reference X Window System C Quick Reference Mastering Motif Widgets Motif 1.1 Information HP OSF/Motif Style Guide HP OSF/Motif Programmer's Reference HP OSF/Motif Programmer's Guide</p>	<p>B1171-90024 B1171-90026 B1171-90027 B1171-90028 B1171-90029 B1171-90030 B1171-90031 B1171-90032 B1171-90033 B1171-90034</p>	<p>Yes Yes N/A N/A Yes Yes Yes Yes Yes Yes Yes</p>
<p>#0BM Starbase Programming</p> <p>Starbase Device Drivers Library Starbase C Pocket Reference Starbase FORTRAN Pocket Reference Starbase Beginner's Guide Starbase Pascal Pocket Reference Starbase Reference Starbase Graphics Techniques HP Fast Alpha/Font Manager Programmer's Starbase Radiosity and Ray Tracing Starbase Display List Programmer's</p>	<p>98592-90025 98592-90031 98592-90041 98592-90047 98592-90051 98592-90067 98592-90080 98592-90093 98885-90002 B2361-90000</p>	<p>Yes N/A N/A Yes N/A Yes N/A Yes Yes Yes Yes</p>
<p>Additional Manuals included on CD-ROM</p> <p>ALLBASE/SQL Reference ALLBASE/ISQL Reference ALLBASE/SQL Database Administration Guide ALLBASE/SQL Message ALLBASE/SQL Quick Reference ALLBASE/SQL FORTRAN Application Programming ALLBASE/SQL C Application Programming ALLBASE/NET User's Guide EISA Configuration Utility for HP-UX FORTRAN/9000 Reference HP Pascal/HP-UX Migration Guide HP Pascal/HP-UX Reference HP Pascal/HP-UX Programmer's Guide HP Pascal/HP-UX Quick Reference HP-GKS User's Guide HP-GKS Device Drivers Library Native Language I/O System Administrators Guide Native Language I/O Access User's Guide Terminal Session Manager: User's Guide Visual Editor Getting Started</p>	<p>36217-90001 36217-90004 36217-90005 36217-90009 36217-90012 36217-90013 36217-90014 36217-90093 B2370-90000 B2408-90003 92431-90004 92431-90005 92431-90006 92431-90007 B2362-90001 B2362-90002 B2200-90006 B2200-90005 B2351-90000 B1503-90001</p>	<p>Yes Yes</p>
<p>N/A: Not Available</p>		

SUPPORT

HP Apollo Maintenance Services

HP Apollo Maintenance Services for workstations provide you with high-quality support that enables you to maximize computer system uptime and productivity. Hewlett-Packard's professionalism and commitment to quality ensure that you receive maximum availability from your HP computer products.

HP Apollo Maintenance can provide the following:

- * Remote problem solving assistance: Get the most productivity out of your systems by working with experts at the HP Response Center to quickly solve your computing problems, or electrical access support information through HP Support Line.
- * On-site hardware support: Maximize computer system uptime and productivity through assistance from local HP engineers, backed by local and worldwide resources.
- * Personalized technical assistance: Maximize the effectiveness of your people and improve the productivity of system through an account-assigned support consultant who understands your business goals and knows your operating environment.
- * Software Updates: Protect your investment in computer systems through software updates which ensure your system is compatible with new hardware, software and peripherals.

Choose the program which best meets your business needs

We give you a choice of three ways to purchase support. Choose the program that best matches your business needs. You may choose from:

- * HP Apollo Comprehensive Maintenance – provides your total support needs in a single product and best price.
- * HP Apollo Separate Services – gives you the flexibility to tailor the support deliveries to best meet your needs.
- * HP Apollo Custom Support Plan – lets you mix contractual support with other support services such as education and consulting, creating a customized support solution to meet your needs.

HP Apollo Comprehensive Maintenance

Now you can buy comprehensive support coverage for your entire workstation environment in a single service. HP Apollo Comprehensive Maintenance Service provides support for your hardware, software and even network. Complete support simplifies contract management and makes administration easier as your systems and needs change in the future. This program includes all the features and benefits of HP's separate support services in a simplified package and at the lowest price. Some additional features of HP Apollo Comprehensive Maintenance include:

- * Comprehensive support. HP Apollo Comprehensive Maintenance provides complete coverage for your computing environment. HP owns your problems and a single telephone call puts HP's worldwide support resources at your fingertips.
- * Simple support to manage. Contract management is simplified. You spend less time understanding contract documentation and handling contract changes, and spend more time focusing on critical business issues.
- * Cost-effective. HP Apollo Comprehensive Maintenance covers your complete workstation environment at a price that's more cost-effective than purchasing individual hardware, software and network support services.

HP Apollo Comprehensive Support is highly flexible and can be adapted to a variety of workstation environments, including:

- * Simple all HP LAN Environments: Within a simple, single segment LAN, HP Apollo Comprehensive Support for workstations provides all your support needs:
H2579A HP Apollo workstation Maintenance Services for workstations. Provides hardware and software phone assistance. Next day on-site needs.
- * Complex Network Environments: HP Apollo Comprehensive Support for networked workstations provides total support for more complex networks – including multivendor workstations and peripherals, as well as bridges, hubs, routers, and other dedicated network products.
H2580A HP Apollo Comprehensive Workstation Maintenance for networked workstations. Provides hardware and software phone assistance, network problem management assistance, and fault isolation. Next day on-site response.

HP Apollo Workstation Support is a single package which provides hardware, software, and network support for all your workstation products. Your actual monthly price will depend upon your workstation configuration and support features required. Contact your local sales representative for more information.

SUPPORT Cont'd

HP-UX SERIES 700 HARDWARE SUPPORT

HP SuccessLine Service
On-Site Computer Hardware Support Service

HP SuccessLine service provides you with high-quality support that enables you to maximize computer system uptime and productivity. It gives you the flexibility to choose response times and coverage periods that meet your service needs, while providing superior value for your money.

Hewlett Packard's professionalism and commitment to quality ensure that you receive maximum availability from your HP computer products. If a hardware problem arises, you will receive assistance from local HP engineers, backed by our local and worldwide resources. HP's engineers are professionals trained on the latest support technology who can implement a support plan for a single site or a worldwide network.

With HP SuccessLine service, you have the flexibility to choose the service level that meets your needs. The right choice for you depends upon the critical nature of your applications and the availability of alternate computing resources. While these service levels meet the needs of most customers, HP also has the flexibility to individualize service for you. Your HP support representative can discuss these alternatives with you.

Support Selection Guide for HP SuccessLine Service				
	Priority Plus	Priority	Next Day	Scheduled
Coverage Hours	24 hours 7 days	8 am - 9 pm* Mon - Fri	8 am - 5 pm Mon - Fri	8 am - 5 pm Mon - Fri
Response Time	Best response; not to exceed 4 hours	Best response; not to exceed 4 hours	Next working day	Scheduled weekly visits
Usage Environment	Highly critical	Urgent	Less critical	Multiple units; spare equipment
* If you request service before 5:00 pm, an HP engineer will respond on-site with 4 hours, if an on-site call is necessary.				

You may choose from four standard service levels:

Priority Plus Service.

If your applications are extremely critical and calls for maximum availability, this service level will provide you with maximum coverage hours and days HP's best possible response.(1) This coverage is ideal if you have crucial applications or multiple-shift operations.

Priority Support.

If you require maximum availability during standard business hours and evenings and a very rapid response from HP, then this service level will meet your needs. On-site service is available for several hours beyond the standard business day, and HP will respond to your service request as quickly as possible.(1) This coverage is provided during the normal work week.

Next Day Service.

If your application allows for service delivery on the following business day, then this service level will be your most cost-effective solution for support. This solution is ideal if you have spare or substitute equipment.

Scheduled Support.

This service level offers the lowest cost support for your HP computer products. It is an economical support solution if you have alternate PCs or workstations and your users are running less-critical applications. An HP engineer makes scheduled weekly visits to a central site at your location.

(1) Response time of 4 hours, but typical response times are shorter.



HEWLETT
PACKARD

apollo
systems division

HP Apollo 9000 Series 700

SUPPORT Cont'd

Product Number	Description	02A	02C	02G	02L	16A	16B	17A
A1926A	M720 19" PVRX 16MB, 400MB	133	106	166	80	75	3	420
#AL9	Select LAN AUI Configuration	0	0	0	0			
#AN8	Add 16 MB RAM	10	8	12	6			
#AND	Add 48 MB RAM	30	24	36	18			
A1927A	M720 19" PVRX 16MB, 2x200MB	139	110	174	84	75	3	420
#AL9	Select LAN AUI Configuration	0	0	0	0			
#AN8	Add 16 MB RAM	10	8	12	6			
#AND	Add 48 MB RAM	30	24	36	18			
A1928A	M720 19" GRX 16MB, dl	50	36	62	26	75	3	420
#ALD	Add one EISA Interface Slot	0	0	0	0			
#AL9	Select LAN AUI Configuration	0	0	0	0			
#AM0	Add 200 MB SCSI II Disk	18	14	23	11			
#AMB	Add 3.5" 1.4MB Floppy Disk Dri	10	8	13	6			
#AN4	Add 8 MB RAM	5	4	6	3			
#AN8	Add 16 MB RAM	10	8	12	6			
#AND	Add 48 MB RAM	30	24	36	18			
A1929A	M720 19" GRX 16MB, 400MB	80	60	100	44	75	3	420
#ALD	Add one EISA Interface Slot	0	0	0	0			
#AL9	Select LAN AUI Configuration	0	0	0	0			
#AMB	Add 3.5" 1.4MB Floppy Disk Dri	10	8	13	6			
#AMH	Add 2nd 400MB SCSI II Disk	30	24	38	18			
#AN4	Add 8 MB RAM	5	4	6	3			
#AN8	Add 16 MB RAM	10	8	12	6			
#AND	Add 48 MB RAM	30	24	36	18			
A1930A	M720 19" CRX 16MB, 2x200MB	98	78	123	59	75	3	420
#AL9	Select LAN AUI Configuration							
#AN8	Add 16 MB RAM	10	8	12	6			
#AND	Add 48 MB RAM	30	24	36	18			
A1931A	M720 19" CRX 16MB, 400MB	92	74	115	55	75	3	420
#AL9	Select LAN AUI Configuration	0	0	0	0			
#AN8	Add 16 MB RAM	10	8	12	6			
#AND	Add 48 MB RAM	30	24	36	18			
A1932A	M720 19" CRX 16MB, dl	62	50	77	37	75	3	420
#ALD	Add one EISA Interface Slot	0	0	0	0			
#AL9	Select LAN AUI Configuration	0	0	0	0			
#AM0	Add 200MB internal SCSI II Disk	18	14	23	11			
#AMB	Add 3.5" 1.4MB Floppy Disk Dri	10	8	13	6			
#AN4	Add 8 MB RAM	5	4	6	3			
#AN8	Add 16 MB RAM	10	8	12	6			
#AND	Add 48 MB RAM	30	24	36	18			

SUPPORT Cont'd

Product Number	Description	02A	02C	02G	02L	16A	16B	17A
A1933A	M720 19" CRX 16MB, 400MB	92	74	115	55	75	3	420
#ALD	Add one EISA Interface Slot	0	0	0	0			
#AL9	Select LAN AUI Configuration	0	0	0	0			
#AMB	Add 3.5" 1.4MB Floppy Disk Dri	10	8	13	6			
#AMH	Add 2nd 400MB SCSI II Disk	30	24	38	18			
#AN4	Add 8 MB RAM	5	4	6	3			
#AN8	Add 16 MB RAM	10	8	12	6			
#AND	Add 48 MB RAM	30	24	36	18			
A1935A	M720 19" PVRX 16MB, 400MB	133	106	166	80	75	3	420
#ALD	Add one EISA Interface Slot	0	0	0	0			
#AL9	Select LAN AUI Configuration	0	0	0	0			
#AMB	Add 3.5" 1.4MB Floppy Disk Dri	10	8	13	6			
#AMH	Add 2nd 400MB SCSI II Disk	30	24	38	18			
#AN4	Add 8 MB RAM	5	4	6	3			
#AN8	Add 16 MB RAM	10	8	12	6			
#AND	Add 48 MB RAM	30	24	36	18			
A1936A	M720 19" GRX 16MB, 2x200MB	86	64	108	48	75	3	420
#AL9	Select LAN AUI Configuration	0	0	0	0			
#AN8	Add 16 MB RAM	10	8	12	6			
#AND	Add 48 MB RAM	30	24	36	18			
A1937A	M720 19" GRX 16MB, 400MB	80	60	100	44	75	3	420
#AL9	Select LAN AUI Configuration	0	0	0	0			
#AN8	Add 16 MB RAM	10	8	12	6			
#AND	Add 48 MB RAM	30	24	36	18			
A1938A	M720 19" TVRX T2 16MB, 400MB	254	203	317	152	75	3	420
#AL9	Select LAN AUI Configuration	0	0	0	0			
#AN8	Add 16 MB RAM	10	8	12	6			
#AND	Add 48 MB RAM	30	24	36	18			
A1939A	M720 19" TVRX T4 16MB, 400MB	355	284	443	213	75	3	420
#AL9	Select LAN AUI Configuration	0	0	0	0			
#AN8	Add 16 MB RAM	10	8	12	6			
#AND	Add 48 MB RAM	30	24	36	18			
A1941A	M720 19" TVRX T2 16MB, 400MB	254	203	317	152	75	3	420
#ALD	Add one EISA Interface Slot	0	0	0	0			
#AL9	Select LAN AUI Configuration	0	0	0	0			
#AMB	Add 3.5" 1.4MB Floppy Disk Dri	10	8	13	6			
#AMH	Add 2nd 400MB SCSI II Disk	30	24	38	18			
#AN4	Add 8 MB RAM	5	4	6	3			
#AN8	Add 16 MB RAM	10	8	12	6			
#AND	Add 48 MB RAM	30	24	36	18			



HEWLETT
PACKARD

apollo
systems division

HP Apollo 9000 Series 700

SUPPORT Cont'd

Product Number	Description	02A	02C	02G	02L	16A	16B	17A
A1943A	M720 19" TVRX T4 16MB, 400MB	355	284	443	213	75	3	420
#ALD	Add one EISA Interface Slot	0	0	0	0			
#AL9	Select LAN AUI Configuration	0	0	0	0			
#AMB	Add 3.5" 1.4MB Floppy Disk Dri	10	8	13	6			
#AMH	Add 2nd 400MB SCSI II Disk	30	24	38	18			
#AN4	Add 8 MB RAM	5	4	6	3			
#AN8	Add 16 MB RAM	10	8	12	6			
#AND	Add 48 MB RAM	30	24	36	18			
A1944A	M720 Server 16MB, 400MB, EISA	62	50	77	37	75	3	420
#AL9	Select LAN AUI Configuration	0	0	0	0			
#AMB	Add 3.5" 1.4MB Floppy Disk Dri	10	8	13	6			
#AMH	Add 2nd 400MB SCSI II Disk	30	24	38	18			
#AN4	Add 8 MB RAM	5	4	6	3			
#AN8	Add 16 MB RAM	10	8	12	6			
#AND	Add 48 MB RAM	30	24	36	18			
A1945A	M730 19" GRX 16MB, 200MB, EISA	76	56	95	42	75	3	420
#AL9	Select LAN AUI Configuration	0	0	0	0			
#AMB	Add 3.5" 1.4MB Floppy Disk Dri	10	8	13	6			
#AN4	Add 8 MB RAM	5	4	6	3			
#AN8	Add 16 MB RAM	10	8	12	6			
#AND	Add 48 MB RAM	30	24	36	18			
A1946A	M730 19" GRX 16MB, 400MB, EISA	88	66	110	49	75	3	420
#AL9	Select LAN AUI Configuration	0	0	0	0			
#AMB	Add 3.5" 1.4MB Floppy Disk Dri	10	8	13	6			
#AMH	Add 2nd 400MB SCSI II Disk	30	24	38	18			
#AN4	Add 8 MB RAM	5	4	6	3			
#AN8	Add 16 MB RAM	10	8	12	6			
#AND	Add 48 MB RAM	30	24	36	18			
A1947A	M730 19" CRX 16MB, 2x200MB, EISA	106	84	134	64	75	3	420
#AL9	Select LAN AUI Configuration	0	0	0	0			
#AN8	Add 16 MB RAM	10	8	12	6			
#AND	Add 48 MB RAM	30	24	36	18			
A1948A	M730 19" CRX 16MB, 400MB, EISA	100	80	126	60	75	3	420
#AL9	Select LAN AUI Configuration	0	0	0	0			
#AN8	Add 16 MB RAM	10	8	12	6			
#AND	Add 48 MB RAM	30	24	36	18			



HP Apollo 9000 Series 700

SUPPORT Cont'd

Product Number	Description	02A	02C	02G	02L	16A	16B	17A
A1949A	M730 19" CRX 16MB, 200MB, EISA	88	70	110	53	75	3	420
#AL9	Select LAN AAI Configuration	0	0	0	0			
#AMB	Add 3.5" 1.4MB Floppy Disk Dri	10	8	13	6			
#AN4	Add 8 MB RAM	5	4	6	3			
#AN8	Add 16 MB RAM	10	8	12	6			
#AND	Add 48 MB RAM	30	24	36	18			
A1950A	M730 19" CRX 16MB, 400MB, EISA	100	80	126	60	75	3	420
#AL9	Select LAN AUI Configuration	0	0	0	0			
#AMB	Add 3.5" 1.4MB Floppy Disk Dri	10	8	13	6			
#AMH	Add 2nd 400MB SCSI II Disk	30	24	38	18			
#AN4	Add 8 MB RAM	5	4	6	3			
#AN8	Add 16 MB RAM	10	8	12	6			
#AND	Add 48 MB RAM	30	24	36	18			
A1951A	M730 19" PVRX 16MB, 400MB, EISA	141	113	176	85	75	3	420
#AL9	Select LAN AUI Configuration	0	0	0	0			
#AMB	Add 3.5" 1.4MB Floppy Disk Dri	10	8	13	6			
#AMH	Add 2nd 400MB SCSI II Disk	30	24	38	18			
#AN4	Add 8 MB RAM	5	4	6	3			
#AN8	Add 16 MB RAM	10	8	12	6			
#AND	Add 48 MB RAM	30	24	36	18			
A1952A	M730 19" PVRX 16MB, 2x200MB, EISA	147	117	185	89	75	3	420
#AL9	Select LAN AUI Configuration	0	0	0	0			
#AN8	Add 16 MB RAM	10	8	12	6			
#AND	Add 48 MB RAM	30	24	36	18			
A1953A	M730 19" PVRX 16MB, 400MB, EISA	141	113	176	85	75	3	420
#AL9	Select LAN AUI Configuration	0	0	0	0			
#AN8	Add 16 MB RAM	10	8	12	6			
#AND	Add 48 MB RAM	30	24	36	18			
A1954A	M730 19" TVRX T2 16MB, 2x400, EISA	292	234	351	175	75	3	420
#AL9	Select LAN AUI Configuration	0	0	0	0			
#AN4	Add 8 MB RAM	5	4	6	3			
#AN8	Add 16 MB RAM	10	8	12	6			
#AND	Add 48 MB RAM	30	24	36	18			
A1955A	M730 19" TVRX T4 16MB, 2x400, EISA	393	314	478	236	75	3	420
#AL9	Select LAN AUI Configuration	0	0	0	0			
#AN4	Add 8 MB RAM	5	4	6	3			
#AN8	Add 16 MB RAM	10	8	12	6			
#AND	Add 48 MB RAM	30	24	36	18			



SUPPORT Cont'd

Product Number	Description	02A	02C	02G	02L	16A	16B	17A
A1956A	M730 Server 16MB, 2x400MB,EISA	100	80	111	60	75	3	420
#AL9	Select LAN AUI Configuration	0	0	0	0			
#AN4	Add 8 MB RAM	5	4	6	3			
#AN8	Add 16 MB RAM	10	8	12	6			
#AND	Add 48 MB RAM	30	24	36	18			
A1957A	Upgrade from 720 to 730	8	6	10	5			165
A1958A	M730 19" GRX 16MB, 2x200MB	94	70	118	53	75	3	420
#AL9	Select LAN AUI Configuration	0	0	0	0			
#AN8	Add 16 MB RAM	10	8	12	6			
#AND	Add 48 MB RAM	30	24	36	18			
A1959A	M730 19" GRX 16MB, 400MB	88	66	110	49	75	3	420
#AL9	Select LAN AUI Configuration	0	0	0	0			
#AN8	Add 16 MB RAM	10	8	12	6			
#AND	Add 48 MB RAM	30	24	36	18			
A1960A	M730 19" TVRX T2 16MB 400MB	262	210	327	157	75	3	420
#AL9	Select LAN AUI Configuration	0	0	0	0			
#AN8	Add 16 MB RAM	10	8	12	6			
#AND	Add 48 MB RAM	30	24	36	18			
A1961A	M750 19" CRX 16MB, 660MB, EISA	99	79	123	59	75	3	420
#AL9	Select LAN AUI Configuration	0	0	0	0			
#AM7	Add 4MM DAT Drive	32	26	40	18			
#AM8	Add CD-ROM	26	21	33	15			
#AMB	Add 3.5" 1.4MB Floppy Disk Dri	10	8	13	6			
#AN8	Add 16 MB RAM	10	8	12	6			
#AND	Add 48 MB RAM	30	24	36	18			
#112	Add 112 MB RAM	70	56	84	42			
#176	Add 176 MB RAM	110	88	132	66			
A1962A	M750 19" CRX 16MB, 1.4GB, EISA	112	90	140	67	75	3	420
#AL9	Select LAN AUI Configuration	0	0	0	0			
#AM7	Add 4MM DAT Drive	32	26	40	18			
#AM8	Add CD-ROM	26	21	33	15			
#AMB	Add 3.5" 1.4MB Floppy Disk Dri	10	8	13	6			
#AMG	Add 1.4 GB SCSI II Disk Drive	32	26	40	19			
#AN8	Add 16 MB RAM	10	8	12	6			
#AND	Add 48 MB RAM	30	24	36	18			
#112	Add 112 MB RAM	70	56	84	42			
#176	Add 176 MB RAM	110	88	132	66			

SUPPORT Cont'd

Product Number	Description	02A	02C	02G	02L	16A	16B	17A
A1963A	M750 19" PVRX 16MB, 660MB,EISA	140	112	174	84	75	3	420
#AL9	Select LAN AUI Configuration	0	0	0	0			
#AM7	Add 4MM DAT Drive	32	26	40	18			
#AM8	Add CD-ROM	26	21	33	15			
#AMB	Add 3.5" 1.4MB Floppy Disk Dri	10	8	13	6			
#AN8	Add 16 MB RAM	10	8	12	6			
#AND	Add 48 MB RAM	30	24	36	18			
#112	Add 112 MB RAM	70	56	84	42			
#176	Add 176 MB RAM	110	88	132	66			
A1964A	M750 19" PVRX 16MB, 1.4GB,EISA	153	122	191	92	75	3	420
#AL9	Select LAN AUI Configuration	0	0	0	0			
#AM7	Add 4MM DAT Drive	32	26	40	18			
#AM8	Add CD-ROM	26	21	33	15			
#AMB	Add 3.5" 1.4MB Floppy Disk Dri	10	8	13	6			
#AMG	Add 1.4 GB SCSI II Disk Drive	32	26	40	19			
#AN8	Add 16 MB RAM	10	8	12	6			
#AND	Add 48 MB RAM	30	24	36	18			
#112	Add 112 MB RAM	70	56	84	42			
#176	Add 176 MB RAM	110	88	132	66			
A1965A	M730 19" TVRX T4 16MB 400MB	363	290	453	218	75	3	420
#AL9	Select LAN AUI Configuration	0	0	0	0			
#AN8	Add 16 MB RAM	10	8	12	6			
#AND	Add 48 MB RAM	30	24	36	18			
A1969A	M750 19"TVRX T2 16MB,1.4GB,EIS	274	219	342	169	75	3	420
#AL9	Select LAN AUI Configuration	0	0	0	0			
#AM7	Add 4MM DAT Drive	32	26	40	18			
#AM8	Add CD-ROM	26	21	33	15			
#AMB	Add 3.5" 1.4MB Floppy Disk Dri	10	8	13	6			
#AMG	Add 1.4 GB SCSI II Disk Drive	32	26	40	19			
#AN8	Add 16 MB RAM	10	8	12	6			
#AND	Add 48 MB RAM	30	24	36	18			
#112	Add 112 MB RAM	70	56	84	42			
#176	Add 176 MB RAM	110	88	132	66			
A1970A	M750 19"TVRX T4 16MB,1.4GB,EIS	375	300	469	225	75	3	420
#AL9	Select LAN AUI Configuration	0	0	0	0			
#AM7	Add 4MM DAT Drive	32	26	40	18			
#AM8	Add CD-ROM	26	21	33	15			
#AMB	Add 3.5" 1.4MB Floppy Disk Dri	10	8	13	6			
#AMG	Add 1.4 GB SCSI II Disk Drive	32	26	40	19			
#AN8	Add 16 MB RAM	10	8	12	6			
#AND	Add 48 MB RAM	30	24	36	18			
#112	Add 112 MB RAM	70	56	84	42			
#176	Add 176 MB RAM	110	88	132	66			

SUPPORT Cont'd

Product Number	Description	02A	02C	02G	02L	16A	16B	17A
A1971A	M750 Server 16MB, 660MB, EISA	69	55	85	41	75	3	420
#AL9	Select LAN AUI Configuration	0	0	0	0			
#AM7	Add 4MM DAT Drive	32	26	40	18			
#AM8	Add CD-ROM	26	21	33	15			
#AMB	Add 3.5" 1.4MB Floppy Disk Dri	10	8	13	6			
#AN8	Add 16 MB RAM	10	8	12	6			
#AND	Add 48 MB RAM	30	24	36	18			
#112	Add 112 MB RAM	70	56	84	42			
#176	Add 176 MB RAM	110	88	132	66			
A1977A	M750 Server 16MB, 1.4GB, EISA	82	66	102	50	75	3	420
#AL9	Select LAN AUI Configuration	0	0	0	0			
#AM7	Add 4MM DAT Drive	32	26	40	18			
#AM8	Add CD-ROM	26	21	33	15			
#AMB	Add 3.5" 1.4MB Floppy Disk Dri	10	8	13	6			
#AMG	Add 1.4 GB SCSI II Disk Drive	32	26	40	19			
#AN8	Add 16 MB RAM	10	8	12	6			
#AND	Add 48 MB RAM	30	24	36	18			
#112	Add 112 MB RAM	70	56	84	42			
#176	Add 176 MB RAM	110	88	132	66			
A1978A	Add 8 MB RAM	5	4	6	3			
A1979A	Add 16 MB RAM	10	8	12	6			
A1980A	Add 200MB internal SCSI II disk	18	14	23	11			165
A1981A	Add 2nd 200MB internal SCSI II	18	14	23	11			165
A1982A	Add 400MB internal SCSI II disk	30	24	38	18			165
A1983A	Add 2nd 400MB internal SCSI II	30	24	38	18			165
A1984A	Add 1.4MB 3.5" Floppy Disk Dri	10	8	13	6			165
A1985A	Add internal CD-ROM	26	21	33	15			330
A1986A	EISA Upgrade Kit	0	0	0	0			165
A1987A	Add 32 MB RAM	20	16	24	12			
A1988A	Add 660 MB SCSI II Disk Drive	19	15	23	11			165
A1989A	Add 1.4 GB SCSI II Disk Drive	32	26	40	19			165
A1990A	Add 4MM DAT Drive	32	26	40	18			330
A1999A	Add external CD-ROM	26	21	33	15			330

SUPPORT Cont'd

HP SOFTWARE SUPPORT

HP 9000 Software Support Program

HP offers you a complete contractual software support program designed to provide you with the level of support that best meets your individual needs.

HP TeamLine

HP TeamLine software support service upgrade for HP 9000 and select Domain computer systems provides an assigned HP support consultant to help you maximize the effectiveness of your people, and improve the productivity of your system. Your HP consultant develops an understanding of your operating environment, applications and business goals. That knowledge is combined with a detailed understanding of HP products to result in effective personal assistance tailored to your specific environment.

HP TeamLine software support service required HP ResponseLine for HP Network ResponseLine as a prerequisite.

What HP TeamLine Includes:

- * Account assigned support consultant
- * Personalized technical assistance and services
- * Access to HP technical specialists
- * Pro-active support planning
- * Added services for HP applications software

HP ResponseLine and HP Network ResponseLine

HP ResponseLine and HP Network ResponseLine provide you with access to the HP Response Centers which are available with rapid customer assistance and quality solutions for your system needs. These services provide support for your operating system and applications, and allow you to choose between two levels of network support designed to meet the specific needs of your environment. When your HP 9000 systems operate independently, or are connected to other HP workstations, HP ResponseLine provides you with problem solving assistance. This enables you to call the HP Response Center with problems related to your operating system, HP to HP system connections and software applications. HP Network ResponseLine extends that coverage to support HP systems networked to both HP and other vendor workstations using hubs, bridges, repeaters, routers, gateways, switches and transmission lines.

What HP ResponseLine includes:

- * Access to the HP Response Centers for operating system, application and HP to HP connectivity fault isolation and problem solving assistance
- * Software License for updates
- * Guaranteed 2 hour call return
- * Electronic access to product and support information
- * Electronic access to patch information and code (available Summer 1991)

What HP Network ResponseLine includes:

- * All the features of HP ResponseLine extended to HP supported network devices and network software
- * Single point of contact for multi-vendor network fault isolation
- * Multi-vendor network problem management

HP BasicLine Software Support

HP BasicLine software support service for HP 9000 computer systems provides on-line access to current, comprehensive support information along with detailed descriptions of problems and recommended solutions. This service also includes the software license for updates for all HP licensed software on your system (in conformance with the license terms that apply to underlying software). This allows you to install and use updates as they become available, ensuring that your software and documentation are kept current.

SUPPORT Cont'd

What HP BasicLine Includes:

- * Software License for updates
- * On-line access to comprehensive problem solving information
- * On-line access to training schedules, product and support news

HP 9000 SERIES 700 SOFTWARE SUPPORT PRICING				
	HP TeamLine		HP ResponseLine	HP/VAB BasicLine
	H2010A + T00	UPGRADE* H2584A + T00	H2011B + H00 (US) H2011A + H00 (Eur/ICON)	H2012A + L00/ H2029A + L00
Processor/user				
#UA1 Series 700 (2 user)	\$190	110	80	35
#UA7 Series 700 (32 user)	\$380	230	130	65
Applications				
#0N1 SW DEV	\$160	90	70	N/A
<i>*HP ResponseLine or HP Network ResponseLine is a prerequisite</i>				
	HP/VAB OP Sys Updates**		HP/VAB OP Sys Updates w/ CD-ROM Doc	HP/VAB SW Update
	H2070A + S00/ H2076A + S00		H2069A + S00/ H2077A + S00	H2014A + S00 H2034A + S00
Processor/user				
#UA1 Series 700 (2 user)		45**	45	20
#UA7 Series 700 (32 user)		45**	45	20
Software				
#AAH DDS) (700/800)		15	15	N/A
#AAF CD-ROM (300/400/700)		0	0	-5
**Does Not Include Operating System Documentation Updates - Must order MUS (see below)				
SERIES 700 MANUAL UPDATE SERVICES				
B2355A + Q00-0BD	General Usage		\$5/mo	
B2355A + Q00-0BE	System Administration		\$20/mo	
B2355A + Q00-0BL	User Environment Documentation		\$20/mo	
B2355A + Q00-0BM	Starbase Programming		\$20/mo	
B2355A + Q00-0BF	General Programming		\$10/mo	
B2355A + Q00-0BG	User's Guides		\$10/mo	
B2355A + Q00-0BT	C/Ansi C		\$5/mo	

