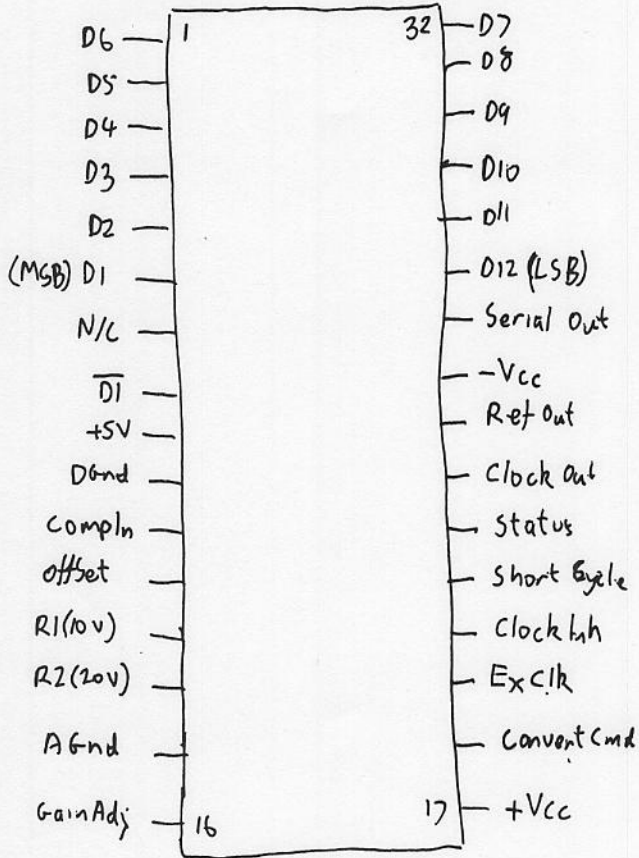
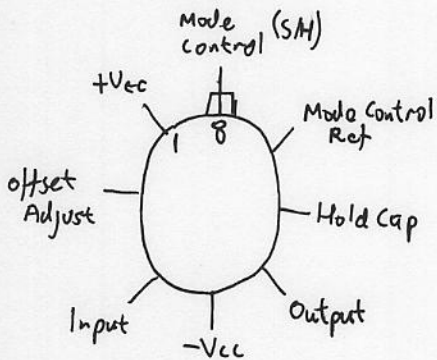


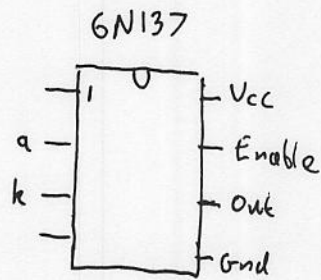
HP69422



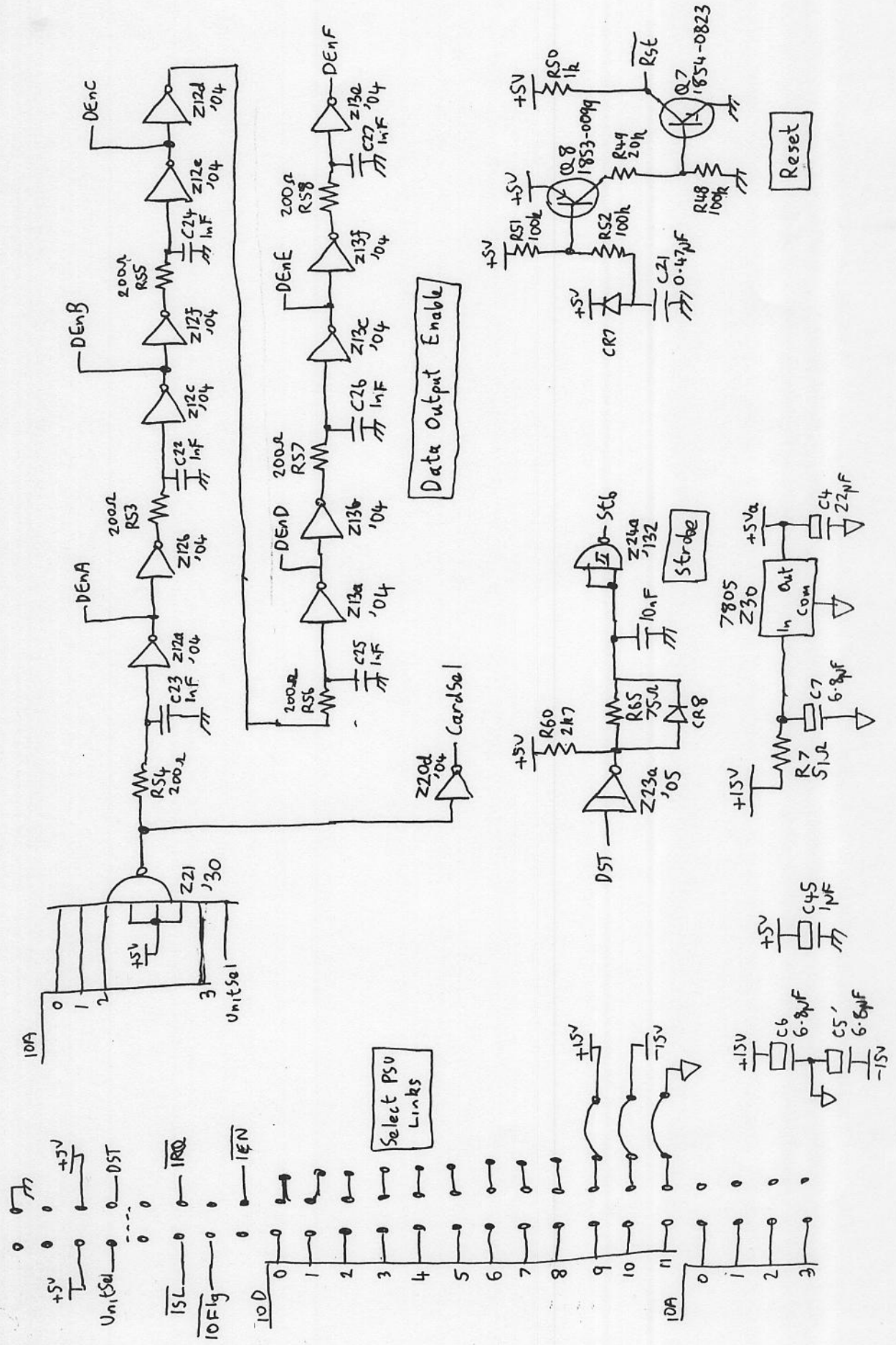
ADC80A6-12  
ADC Hybrid



SHC298  
Sample/Hold



Optoisolator



69422-60020

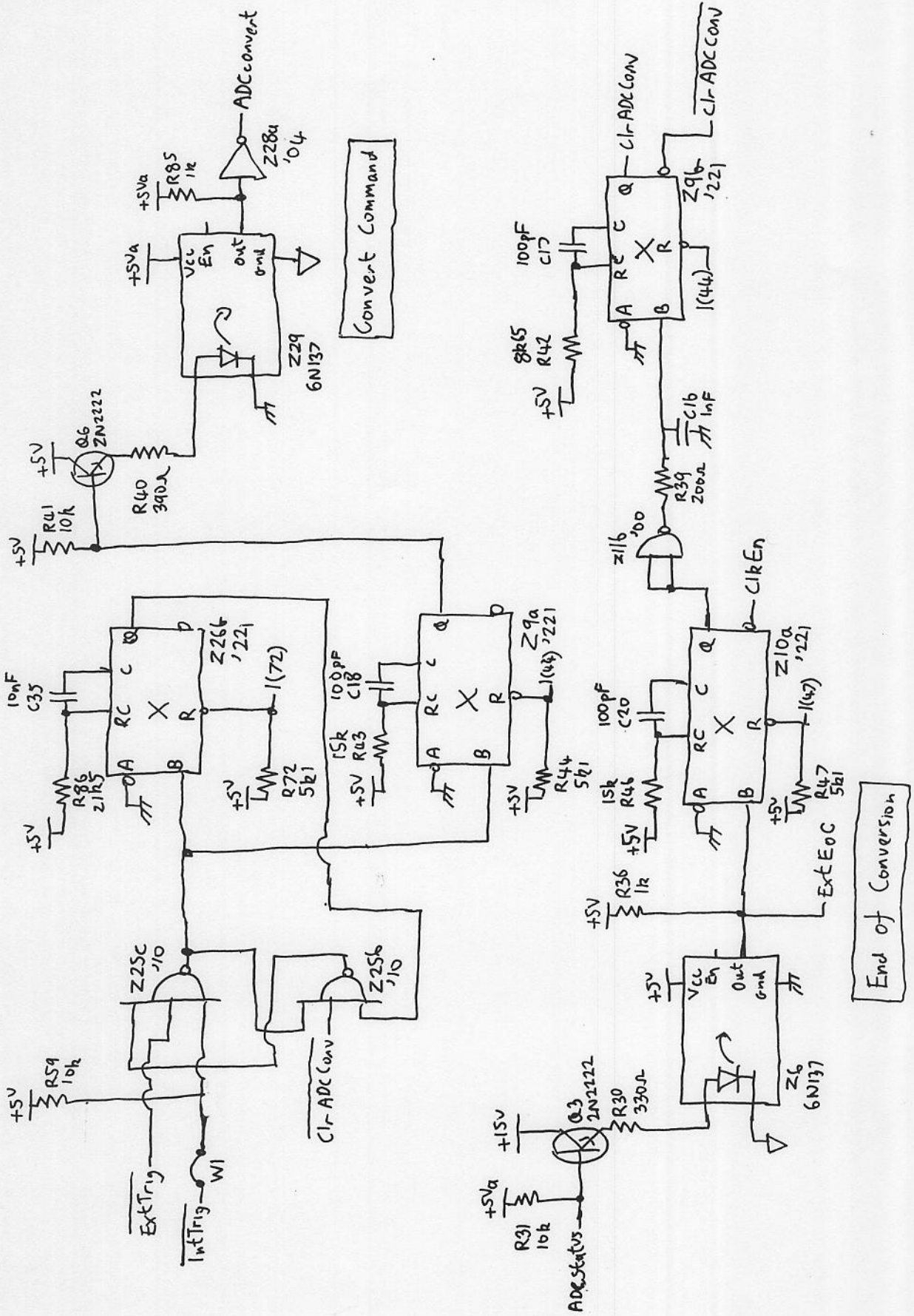
Sheet 1

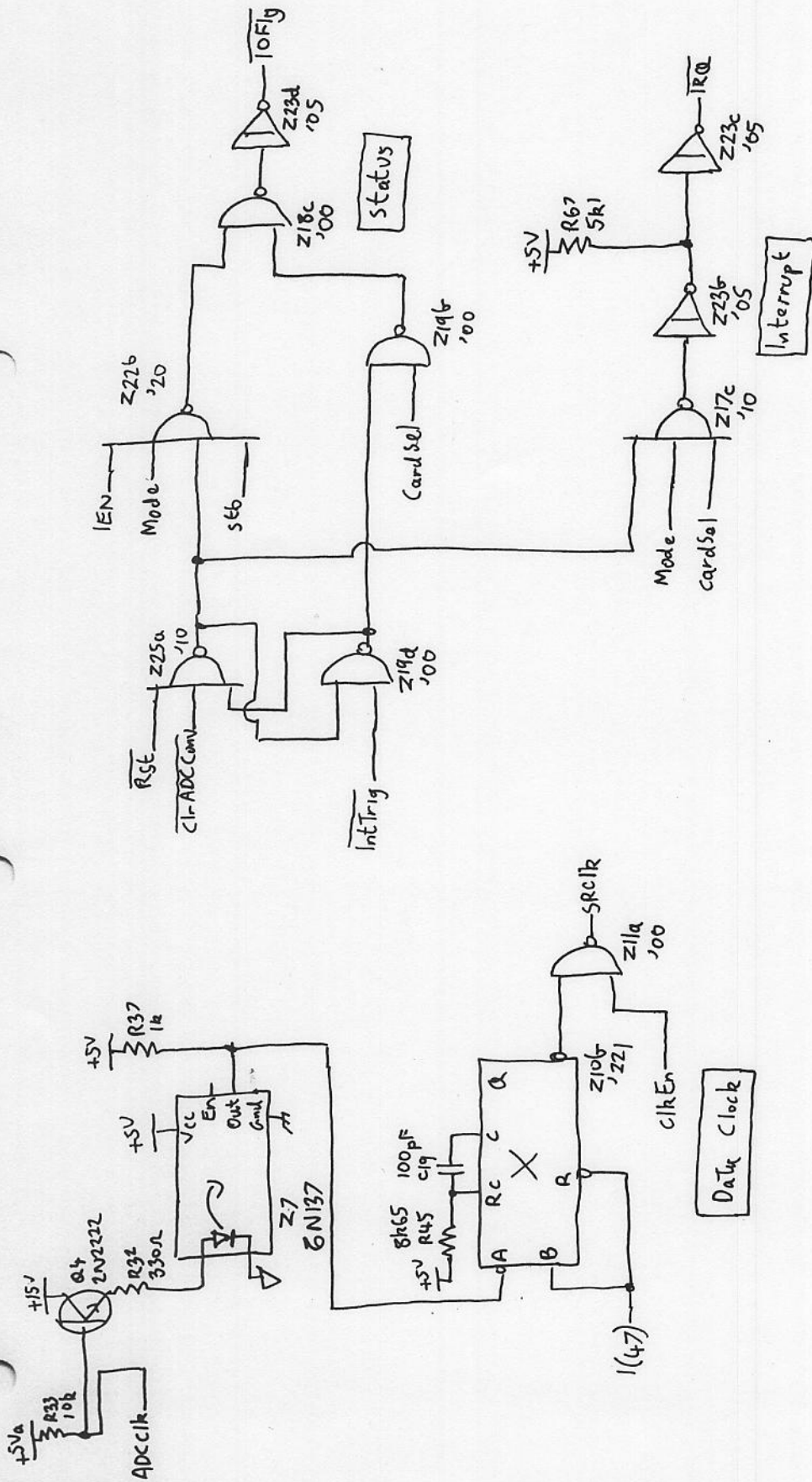
High Speed A/D

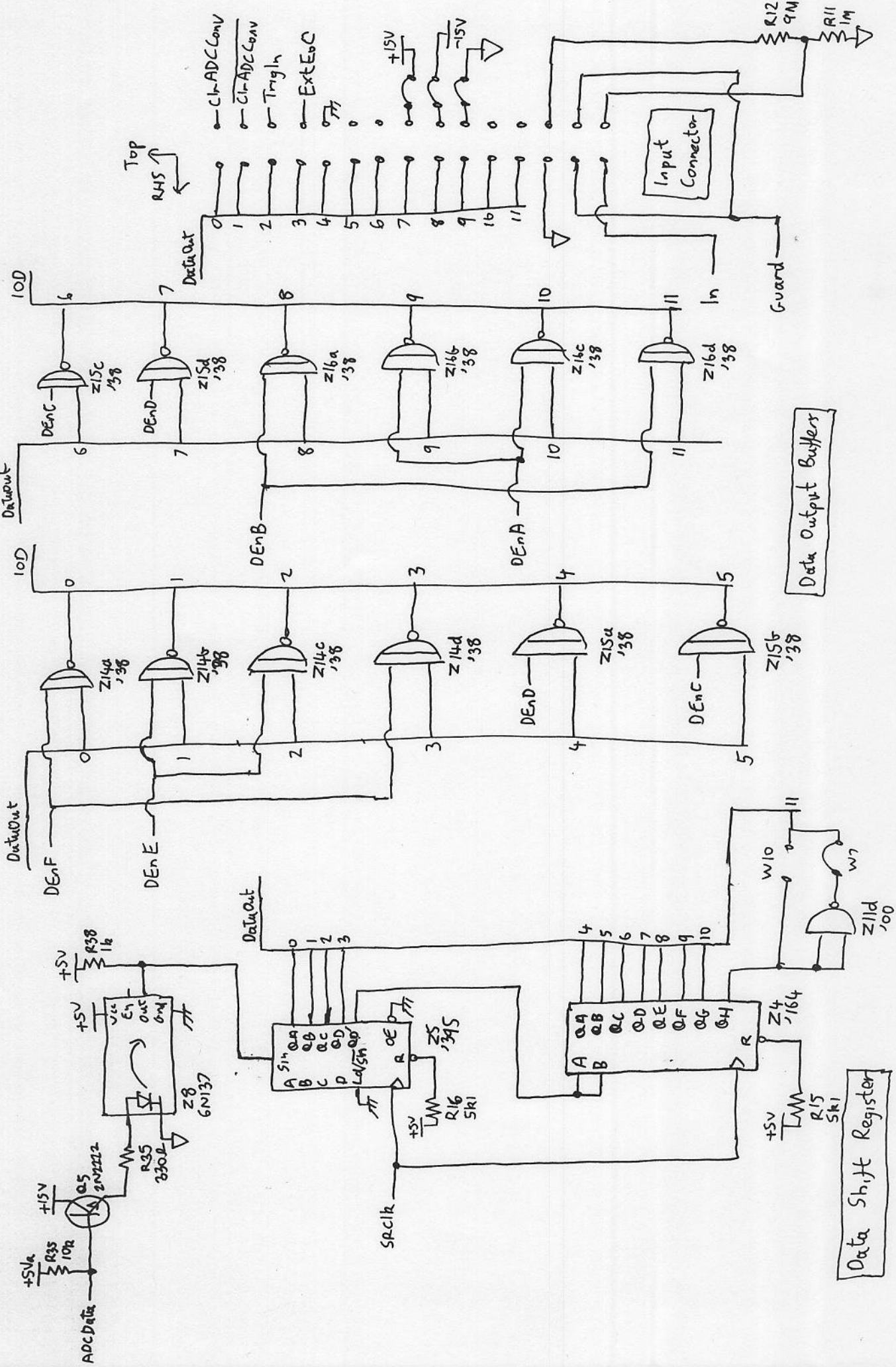
HP 69422 A











69422-60020

HP69422A High Speed A/D Sheet 5



