



Installation/Service/Terminal Interface Guide

**MC68360 Emulator/Analyzer
(HP 64780A)**

Notice

Hewlett-Packard makes no warranty of any kind with regard to this material, including, but not limited to, the implied warranties of merchantability and fitness for a particular purpose. Hewlett-Packard shall not be liable for errors contained herein or for incidental or consequential damages in connection with the furnishing, performance, or use of this material.

Hewlett-Packard assumes no responsibility for the use or reliability of its software on equipment that is not furnished by Hewlett-Packard.

© Copyright 1993, 1996, Hewlett-Packard Company.

This document contains proprietary information, which is protected by copyright. All rights are reserved. No part of this document may be photocopied, reproduced or translated to another language without the prior written consent of Hewlett-Packard Company. The information contained in this document is subject to change without notice.

MS-DOS(R) is a U.S. registered trademark of Microsoft Corporation.

UNIX(R) is a registered trademark in the United States and other countries, licensed exclusively through X/Open Company Limited.

Hewlett-Packard Company
P.O. Box 2197
1900 Garden of the Gods Road
Colorado Springs, CO 80901-2197, U.S.A.

RESTRICTED RIGHTS LEGEND. Use, duplication, or disclosure by the U.S. Government is subject to restrictions set forth in subparagraph (C) (1) (ii) of the Rights in Technical Data and Computer Software Clause at DFARS 252.227-7013. Hewlett-Packard Company, 3000 Hanover Street, Palo Alto, CA 94304 U.S.A. Rights for non-DOD U.S. Government Departments and Agencies are as set forth in FAR 52.227-19(c)(1,2).

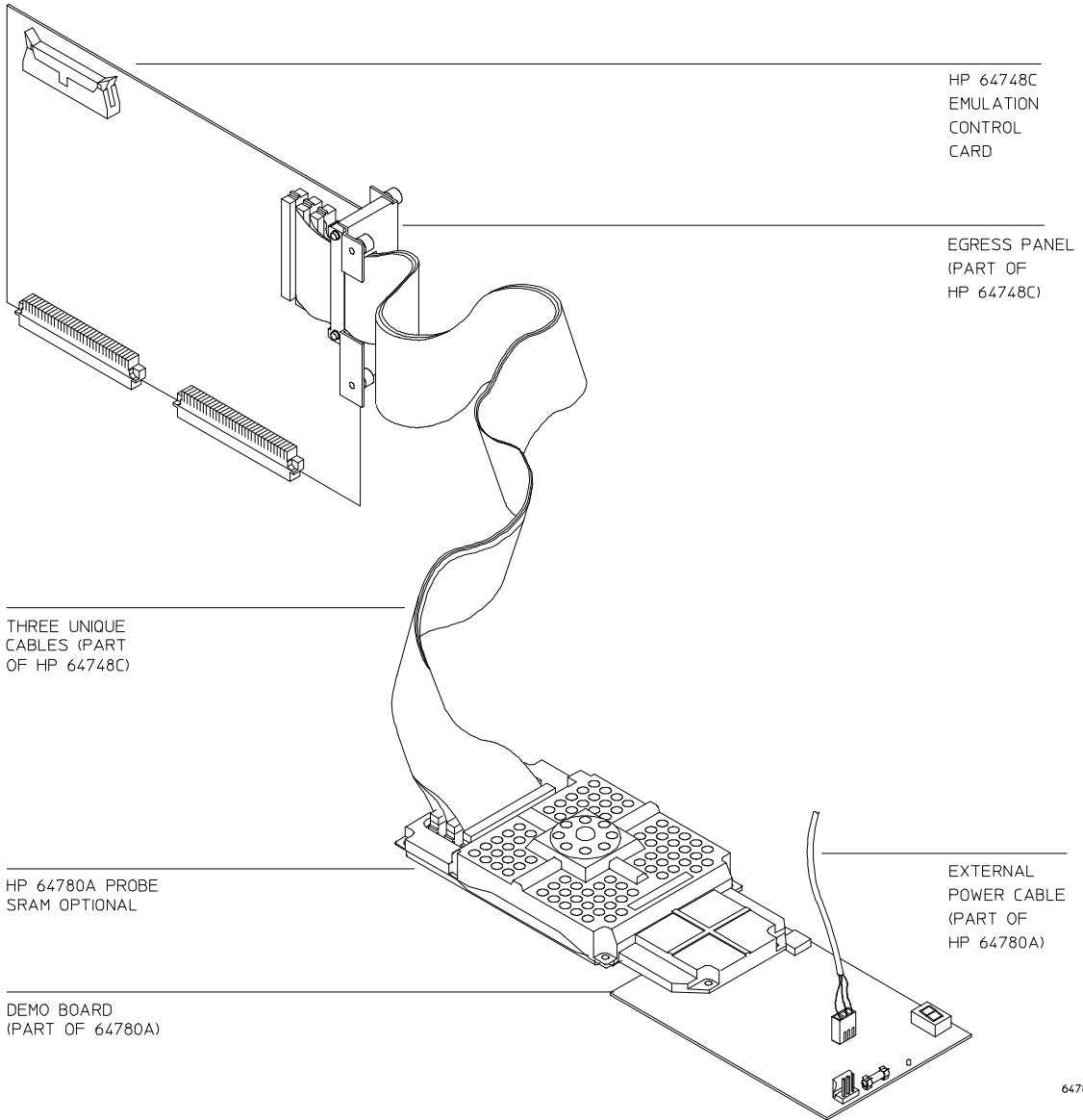
Printing History

New editions are complete revisions of the manual. Many product updates and fixes do not require manual changes, and manual corrections may be done without accompanying product changes. Therefore, do not expect a one-to-one correspondence between product updates and manual revisions.

Edition 1	64780-97000, December 1993
Edition 2	64780-97001, March 1996
Edition 3	64780-97002, September 1996

Safety and Certification and Warranty

Safety information, and certification and warranty information can be found at the end of this manual on the pages before the back cover.



The HP 64780A Emulator

Description

The HP 64780A emulator supports the Motorola 68360 and 68EN360 microprocessor operating at clock speeds up to 33 MHz. The emulator supports both 5V and 3.3V operation. The emulator plugs directly into a PGA socket, and it can be plugged into a PQFP target system using optional accessories.

In this manual, the emulator is referred to by Model Number 64780A, and the Motorola microprocessor is referred to by MC68360.

The emulator plugs into the modular HP 64700 instrumentation card cage and offers 80 channels of processor bus analysis with the HP 64794A or HP 64704A emulation-bus analyzer. Up to eight megabytes of emulation memory may be installed on the probe. High performance download is achieved through the use of a LAN (standard in the HP 64700B; optional in HP 64700A) or RS-422 interface. An RS-232 port and a firmware-resident interface allow debugging of a target system at remote locations.

For software development, the HP AxCASE environment is available on SUN SPARC systems and on HP workstations. This environment includes an ANSI standard C compiler, assembler/linker, a debugger, the HP Software Performance Analyzer that allows you to optimize your product software, and the HP Branch Validator for test suite verification. The C compiler, assembler/linker, and debugger are also available for MS-DOS systems.

Language support is also available from several third-party vendors. This capability is provided through the HP 64700's ability to consume several industry standard output file formats.

Ada language support is provided on HP 9000 workstations by third-party vendors such as Alsys and Verdix. An Ada application developer can use the HP emulator and any compiler that generates HP/MRI IEEE-695 to do exhaustive, real-time debugging in-circuit or out-of-circuit.

Motorola's initial release of the MC68360 was "Revision A1". HP used that original version in its first emulator shipments. Since that time, Motorola has released follow-on versions "B1," "B2," "C," and "MC68MH360". Each

subsequent version fixed errata from the previous version. HP is currently using 33-MHz Revision C in its HP 64780A emulator.

Motorola continues to ship prior revisions of the MC68360, and the MC68MH360. If you would like to use one of the non-Revision C parts in your HP 64780A emulator, HP offers an upgrade kit. Contact your local HP field engineer for ordering information.

Along with the upgrade kit, you will have to supply your own non-Revision C part (order separately). You will install your non-Revision C part in the processor socket on the emulator probe by following instructions supplied with the upgrade kit.

Features

HP 64780A Emulator

- 33 MHz active probe emulator
- 5V and 3.3V operation
- No wait states required to access target memory for processor speeds up to 33 MHz
- Fast termination cycles to target memory up to 33 MHz
- Unlimited software breakpoints
- Symbolic support
- 36 inch cable and 219 mm (8.8") x 102 mm (4") probe, terminating in PGA package
- Background and foreground monitors
- Simulated I/O with workstation interfaces
- Consumes IEEE-695, HP-OMF, Motorola S-Records, and Extended Tek Hex File formats directly. (Symbols are available with IEEE-695 and HP-OMF formats.)
- Multiprocessor emulation
 - synchronous start of 32 emulation sessions
 - cross triggerable from another emulator, logic analyzer, or oscilloscope
- Demo board and self test module included

Emulation-bus analyzer

- 80-channel emulation-bus analyzer
- Post-processed dequeued trace with symbols
- Eight events, each consisting of address, status, and data comparators
- Events may be sequenced eight levels deep and can be used for complex trigger qualification and selective store

Emulation memory

- Up to 8 Mbytes of emulation memory
- All emulation memory is dual-ported
- Mapping resolution is 256 bytes
- No wait states required to access emulation memory for processor speeds up to
33 MHz when using 20ns SIMM memories, and
25 MHz when using 25 ns SIMM memories
(1 wait state required above 25 MHz with 25 ns SIMMs)
- Fast termination cycles to emulation memory supported up to 10 MHz

In This Book

This manual covers the HP 64780A emulator for the MC68360 microprocessor. It is divided into the following parts:

Part 1, “Installation,” shows you how to install and connect all of the emulator/analyzer hardware in the card cage, connect the card cage to a host computer in several typical configurations, and connect the emulator probe into the demo board and into your target system.

Part 2, “Service,” shows you how to install and update emulator/analyzer firmware, solve problems you may encounter while using the emulator/analyzer, and obtain replacement parts for the emulator/analyzer from Hewlett-Packard.

Part 3, “Terminal Interface Reference,” introduces the interfaces available to use with the emulator/analyzer, and shows you how to use the terminal interface for the emulator/analyzer.

This manual replaces the Terminal Interface Reference which accompanied earlier HP emulators. For information on the Terminal Interface, see Part 3.

You should read the book *Concepts of Emulation and Analysis* when you have the chance to do so; it contains a good conceptual introduction to the emulation process, and also describes how an emulation monitor works. Another book, the *HP 64700 Card Cage Installation/Service Guide*, tells you more about installation and configuration of the HP 64700 Card Cage. If you have a problem with the emulator and don't understand how to fix it, a listing of HP Sales and Service offices is in the *Support Services Guide* in the back of this binder.

Contents

Part 1 Installation Guide

1 Preparing the Emulator

Preparing the Emulator 4

What you need 5

Antistatic precautions 6

Step 1. Install optional memory modules on Deep Analyzer card (if using the deep analyzer) 7

Step 2. Connect the Emulator Probe Cables 9

Step 3. Install Boards into the HP 64700 Card Cage 11

Step 4. Install emulation memory modules and system clock modules on emulator probe 24

Step 5. Connect the power cord 30

2 Connecting to a Host Computer

Step 1: Choose a system configuration 34

Step 2: Connect the LAN cable 34

Step 3: Install host software 35

Step 4: Configure the LAN parameters 36

To configure LAN parameters using "ipconfig700" 37

To configure LAN parameters using the terminal interface 40

If "telnet" does not access the emulator 43

3 Connecting to the Demo Board

Installation 46

Step 1. Connect the emulator probe to the demo target system 47

Step 2. Apply power to the HP 64700 49

Step 3. Verify the performance of the emulator 50

4 Connecting the Emulator to a Target System

Plugging The Emulator Into A Target System 52

Understanding an emulator 52

Target system design 52

Buffering and AC specifications 53

DC specifications 53

Clocks 53

Target power 54

Equivalent circuits 55

Connecting the emulator to the target system 58

Verifying Operation Of The Emulator In Your Target System 59

Additional equipment 59

Probing 59

Selecting a clock module 60

Clock module information 61

Clock module circuits 63

If you have problems working with a target oscillator 64

If you have problems working with a target crystal 64

If a different clock frequency is required 65

Running the emulator configured like the processor 67

To verify operation of the target system 69

Interpreting the trace list 75

Fixing timing problems 77

Installing the emulator in a target system without known good software 78

Installing Emulator Features	80
Evaluating the reset facilities	80
Installing the background monitor	82
Resetting into the background monitor	82
Testing memory accesses with the background monitor	84
Running a program from the background monitor	85
Breaking into the background monitor	86
Exiting the background monitor	86
Software breakpoint entry into the background monitor	87
Stepping with the background monitor	88
Installing the foreground monitor	89
Resetting into the foreground monitor	90
Dealing with keep-alive circuitry by using the custom foreground monitor	92
Testing memory access with the foreground monitor	93
Running a program from the foreground monitor	94
Breaking into the foreground monitor	95
Exiting the foreground monitor	95
Software breakpoint entry into the foreground monitor	95
Stepping with the foreground monitor	96
Installing emulation memory	96

Part 2 Service

5 Installing/Updating Emulator Firmware

When to update the firmware 100

Updating the firmware using a workstation 100

Updating the firmware using a PC 101

Step 1. Connect the HP 64700 card cage to your PC 102

Step 2: Install the firmware update utility 103

Step 3: Run "progflash" to update emulator firmware 105

If the "progflash" routine won't work 108

6 Solving Problems

To verify the performance of the emulator 111

What is pv doing to the Emulator? 113

Troubleshooting 113

To ensure software compatibility 114

To display the emulator status 115

To check the version of the Terminal Interface software 116

If the Performance Verification reports massive PV failures 116

If the emulator appears to be malfunctioning 116

If interrupts are not detected by your emulator 117

If the analyzer triggers on a program address when it should not 118

If trace disassembly appears to be partially incorrect 118

If you see unexplained states in the trace list 119

If the analyzer won't trigger 119

If you suspect that the emulator is broken 120

If emulation memory behavior is erratic 120

If emulation memory addressing appears incorrect 121

If you're having problems with DMA 124

If you see exclamation marks "!" in count columns of the trace lists 124

If you see negative time or state counts in trace lists 125

If you do not see the counter overflow indication "!" where you expected to see it in a trace list 125

7 Parts List

Parts List 128

What is an Exchange Part? 128

Part 3 Terminal Interface Reference

8 Using the Terminal Interface

When to Use the Terminal Interface 134

Learning About the Terminal Interface 135

To start the Terminal Interface 135

To view a list of available commands 136

To view help on individual commands 137

To view help on command syntax 138

Graphical Interfaces 139

Why use a graphical interface? 139

9 Specifications and Characteristics

Processor Compatibility 142

Electrical 142

Motorola JTAG and BDM 142

HP 64780A Maximum Ratings 143

HP 64780A Electrical Specifications 144

HP 64780A Timing Specifications 146

HP 64780A AC Timing Specifications 146

Physical 155

Environmental 156

BNC, labeled TRIGGER IN/OUT 156

Communications 157

Glossary

Index

Part 1

Installation Guide





Preparing the Emulator

How to connect the emulator probe and power cord.

Preparing the Emulator

This chapter shows you how to install the emulation and analysis hardware in the emulator card cage.

The installation tasks are described in the following steps:

- 1 Install optional memory modules on the deep analyzer card, if desired.
- 2 Connect the HP 64780A emulator probe to the HP 64748C emulator control card.
- 3 Install cards into the HP 64700 card cage.
- 4 Install emulation memory modules on the emulator probe.
- 5 Connect a power cord to the HP 64700 Card Cage.

What you need

Equipment supplied

The minimum system contains:

- HP 64780A 68360 PGA Emulator Probe
- Demo target system (shipped with the emulator probe).
- HP 64748C Emulation Control card.
- HP 64794A/C/D Emulation-Bus Analyzer (deep analyzer with) card, or HP 64704A Emulation-Bus Analyzer (1K analyzer) card.
- 80-Channel Analyzer Extender Ribbon Cable.
- HP 64700A or HP 64700B Card Cage.

Optional parts are:

- HP 64172A 256-Kbyte Memory Modules for additional memory depth.
- HP 64172B 1-Mbyte Memory Modules for additional memory depth.
- HP 64173A 4-Mbyte Memory Modules for additional memory depth.
- HP 64708A Software Performance Analyzer.
- HP 64701A LAN Interface card (HP 64700A only).

Equipment and tools needed

In order to install and use the MC68360 emulation system, you need:

- Flat-blade screwdriver with shaft at least 5 inches long (13 mm approx).
- Torx T-10 screwdriver (if installing the optional LAN card for the HP 64700A).

The illustrations in this manual show the HP 64700B Card Cage. The locations of some components may be slightly different if you are using an HP 64700A Card Cage.

Antistatic precautions

Printed-circuit boards contain electrical components that are easily damaged by small amounts of static electricity. To avoid damage to the emulator boards, follow these guidelines:

- If possible, work at a static-free workstation.
- Handle the boards only by the edges; do not touch components or traces.
- Use a grounding wrist strap that is connected to the HP 64700 chassis.

Note

If you already have a modular HP 64700 Series Card Cage and want to remove the existing emulator and insert an HP 64780A emulator in its place, the HP 64700 Series generic firmware and analyzer firmware may NOT be compatible, and the software will indicate incompatibility. In this event, you must purchase a Flash EPROM board to update the firmware. Instructions for installing this board and programming it from a PC or HP 9000 are provided in the HP 64700 Card Cage Installation/Service manual. Instructions for installing and updating emulator firmware are covered in Chapter 5, "Installing/Updating Emulator Firmware".

Note

If you already have a modular HP 64700 Series Card Cage and want to remove the 1K analyzer and install the deep analyzer in its place, the analyzer firmware will be updated by your installation because the analyzer firmware is contained on the analyzer card.

Step 1. Install optional memory modules on Deep Analyzer card (if using the deep analyzer)

Step 1. Install optional memory modules on Deep Analyzer card (if using the deep analyzer)

Observe antistatic precautions

With no optional memory modules installed on the deep analyzer card, the trace memory depth is 8K. If you are going to use the deep analyzer with this default trace memory depth, skip this step.

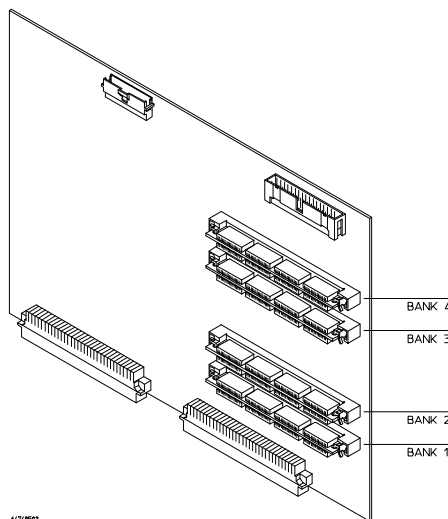
1 Determine placement of the optional memory modules. Two types of modules may be installed: 256-Kbyte (HP 64172A), and 1-Mbyte (HP 64172B). Either module type may be installed in the banks on the analyzer card. Do not use HP 64171A/B or HP 64173A memory modules; they are too slow.

If you install no memory modules, the deep analyzer will have 8K maximum memory depth.

If you install four 256-Kbyte memory modules, the analyzer will have 64K maximum memory depth.

If you install four 1-Mbyte memory modules, the analyzer will have 256K maximum memory depth.

If you install a combination of 256-Kbyte memory modules and 1-Mbyte memory modules, the analyzer will have 64K maximum memory depth. All four connectors must have memory modules installed before the analyzer depth will be increased.



Step 1. Install optional memory modules on Deep Analyzer card (if using the deep

2 To ensure correct installation of optional memory modules on the deep analyzer card, there is a cutout at one end of the memory modules so they can only be installed the correct way.

To install a memory module:

Align the groove in the memory module with the alignment rib in the connector.

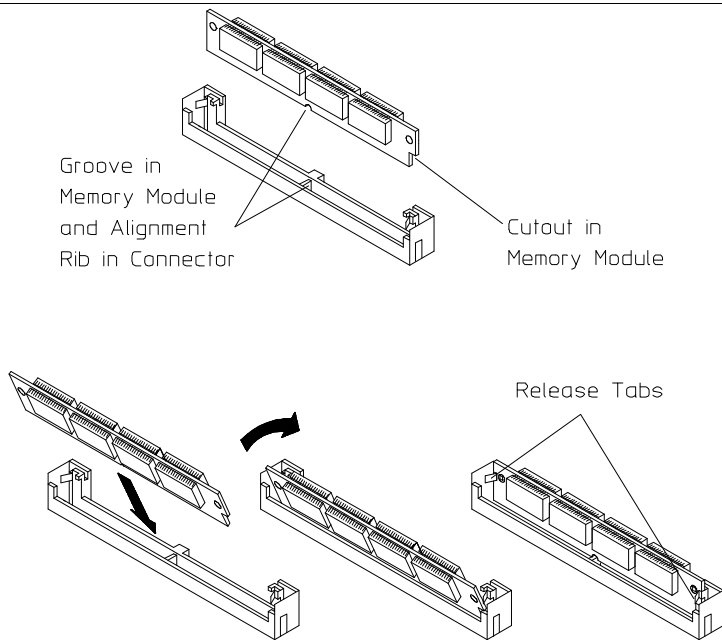
Align the cutout in the memory module with the projection in the connector.

Place the memory module into the connector groove at an angle.

Firmly press the memory module into the connector and make sure it is completely seated.

Rotate the memory module forward so that the pegs on the connector fit into the holes on the memory module.

Make sure the release tabs at each end of the connector snap around the memory module to hold it in place.



64794E03

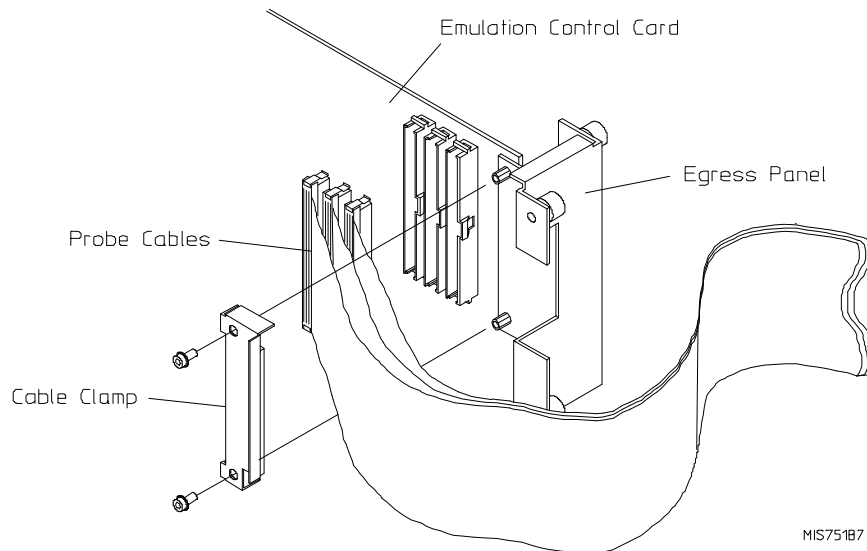
Step 2. Connect the Emulator Probe Cables

Three ribbon cables connect the HP 64748C emulation control card to the HP 64780A emulator probe.

The shortest cable connects from J1 of the emulation control card to J3 of the emulator probe. The medium length cable connects from J2 of the emulation control card to J2 of the emulator probe. The longest cable connects from J3 of the emulation control card to J1 of the emulator probe.

Make sure the cable connectors are seated. There are stainless steel clips on the cable connectors; these must be properly latched inside the sockets. Otherwise, the cables will work loose and you will see erratic operation. See illustration next page (step 2).

1 Connect the emulator probe cables to the emulation control card.

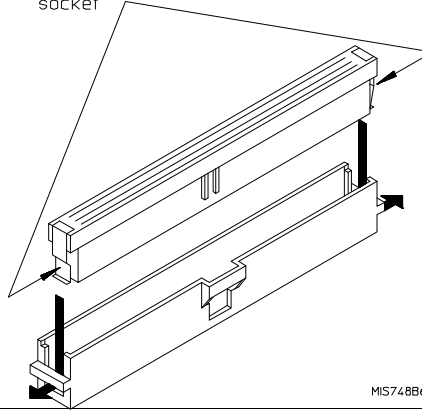


Chapter 1: Preparing the Emulator

Step 2. Connect the Emulator Probe Cables

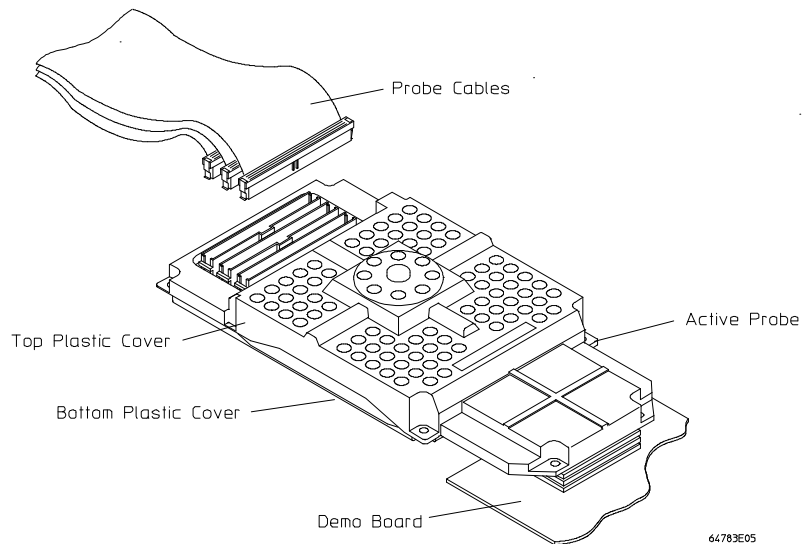
2 When inserting cable connectors into the sockets, press inward on the connector clips so that they hook into the sockets as shown. The order of connecting cables was given in step 1.

Push in on clips
so they hook into
socket



MIS748B6

3 Connect the other ends of the cables to the emulator probe. Make sure the stainless steel clips on the cable connectors are properly latched within the sockets.



64783E05

Step 3. Install Boards into the HP 64700 Card Cage

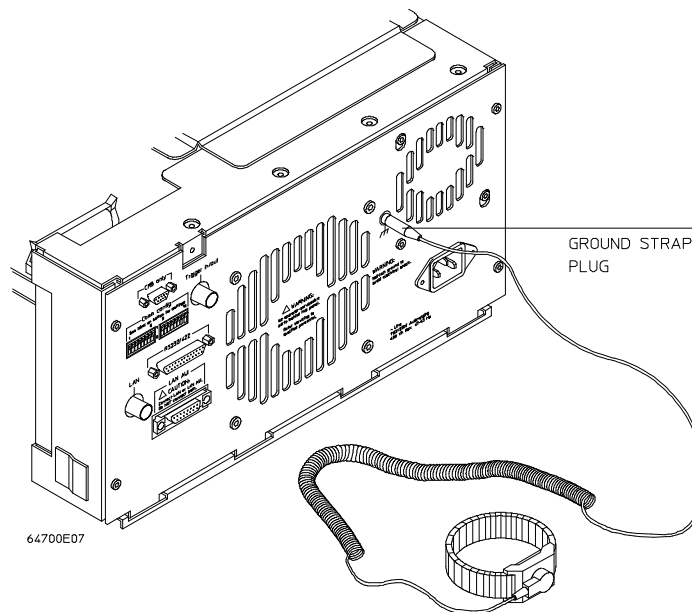
WARNING

Before removing or installing parts in the HP 64700 Card Cage, make sure that the card cage power is off and that the power cord is disconnected.

CAUTION

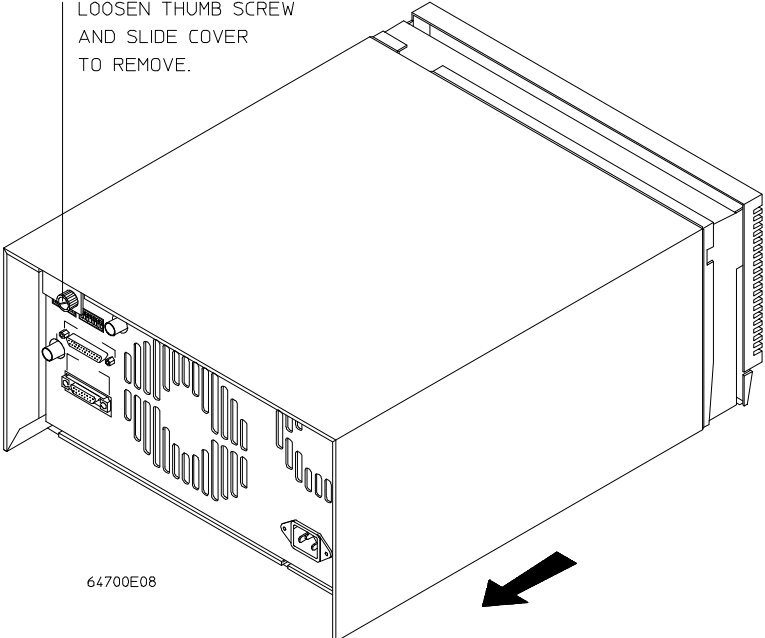
Do NOT stand the HP 64700 Card Cage on the rear panel. You could damage the rear panel ports and connectors.

- 1 Use a ground strap when removing or installing boards into the HP 64700 Card Cage to reduce the risk of damage to the circuit cards from static discharge. A jack on the rear panel of the HP 64700 Card Cage is provided for this purpose.



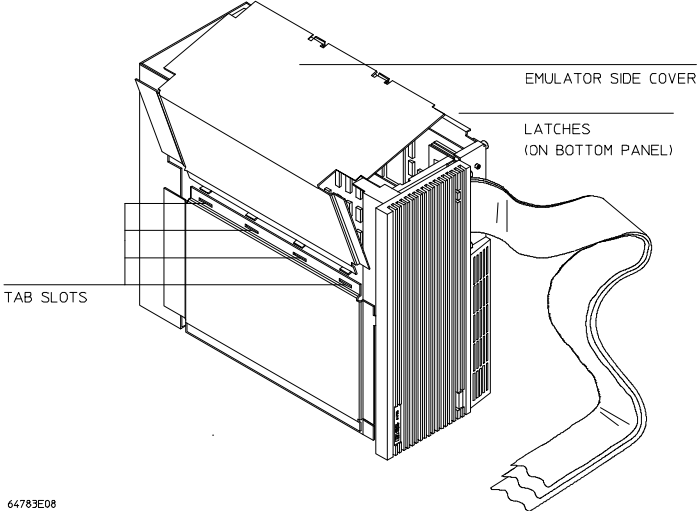
Chapter 1: Preparing the Emulator
Step 3. Install Boards into the HP 64700 Card Cage

2 Turn the thumb screw and remove the top cover by sliding the cover toward the rear and up.

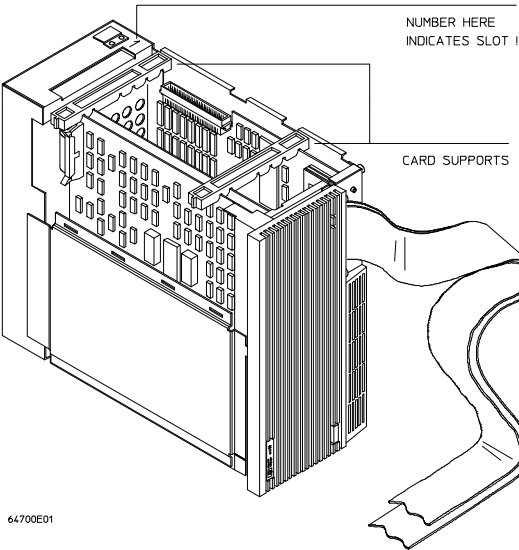


Chapter 1: Preparing the Emulator
Step 3. Install Boards into the HP 64700 Card Cage

3 Remove the side cover by unsnapping the two latches and lifting off.



4 Remove the card supports.

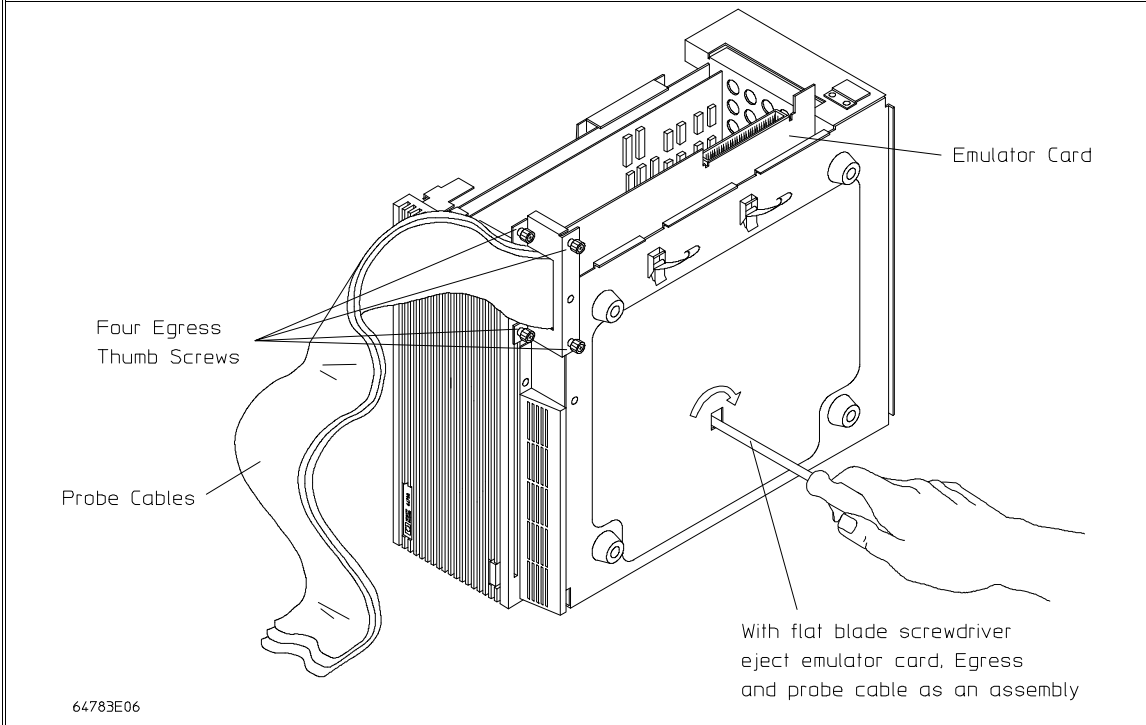


Chapter 1: Preparing the Emulator

Step 3. Install Boards into the HP 64700 Card Cage

5 First, completely loosen the four egress thumb screws.

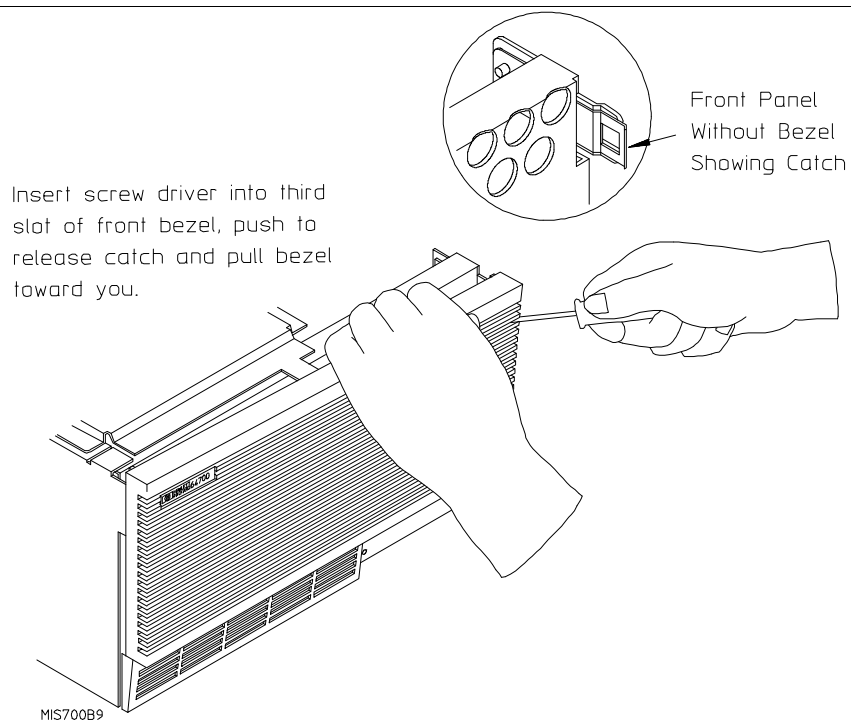
To remove emulator cards, insert a flat blade screwdriver in the access hole and eject the emulator cards by rotating the screwdriver.



Chapter 1: Preparing the Emulator
Step 3. Install Boards into the HP 64700 Card Cage

6 Insert a screw driver into the third slot of the right side of the front bezel, push to release catch, and pull the right side of the bezel about one-half inch away from the front of the HP 64700. Then, do the same thing on the left side of the bezel. When both sides are released, pull the bezel toward you approximately 2 inches.

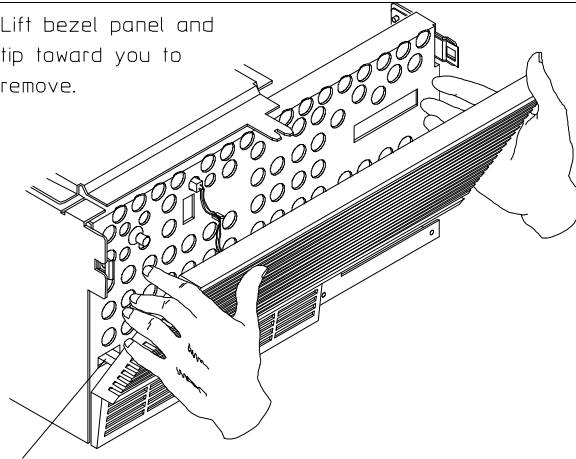
Be careful because the plastic ears are easily broken on the front bezel.



Step 3. Install Boards into the HP 64700 Card Cage

7 Lift the bezel panel to remove. Be careful not to put stress on the power switch extender.

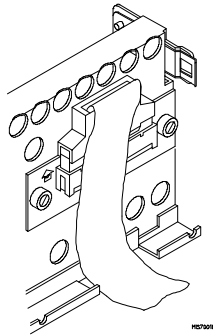
Lift bezel panel and
tip toward you to
remove.



Be careful not to
put stress on power
switch extender.

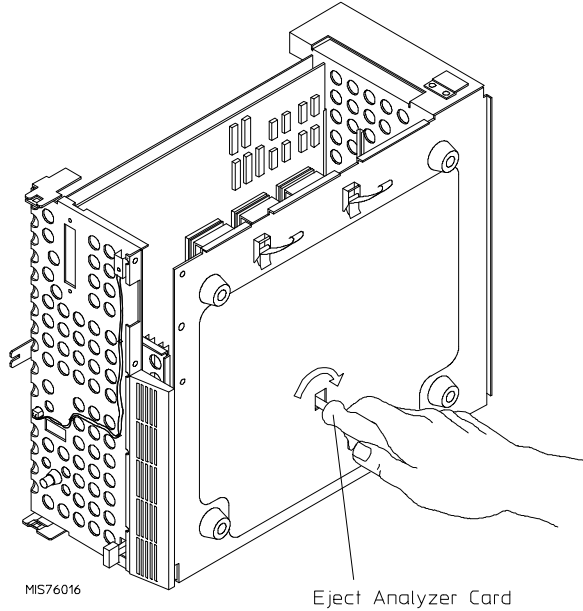
MS70011

8 If you're removing an existing analyzer card that provides external analysis, remove the right-angle adapter board by turning the thumb screws counterclockwise.



Chapter 1: Preparing the Emulator
Step 3. Install Boards into the HP 64700 Card Cage

9 To remove the analyzer card, insert a flat blade screwdriver in the access hole and eject the analyzer card by rotating the screwdriver.



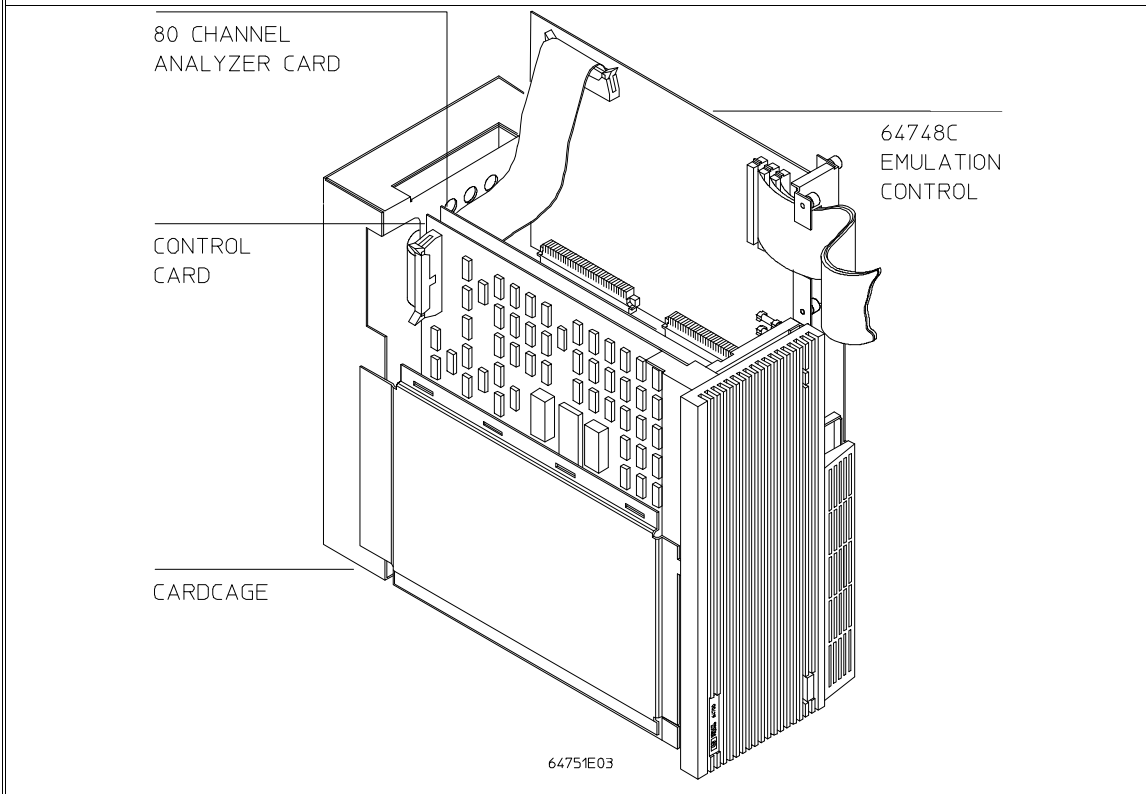
Do not remove the system control board. This board is used in all HP 64700 emulation and analysis systems.

Step 3. Install Boards into the HP 64700 Card Cage

10 Install the analyzer and emulation control cards. The analyzer is installed in the slot next to the system control card. The emulation control card is installed in the second slot from the bottom of the card cage. The software performance analyzer card may occupy any slot between the emulation-bus analyzer and the emulation control card. These cards are identified with labels that show their model numbers and serial numbers. Note that components on the analyzer card face the opposite direction to the other cards.

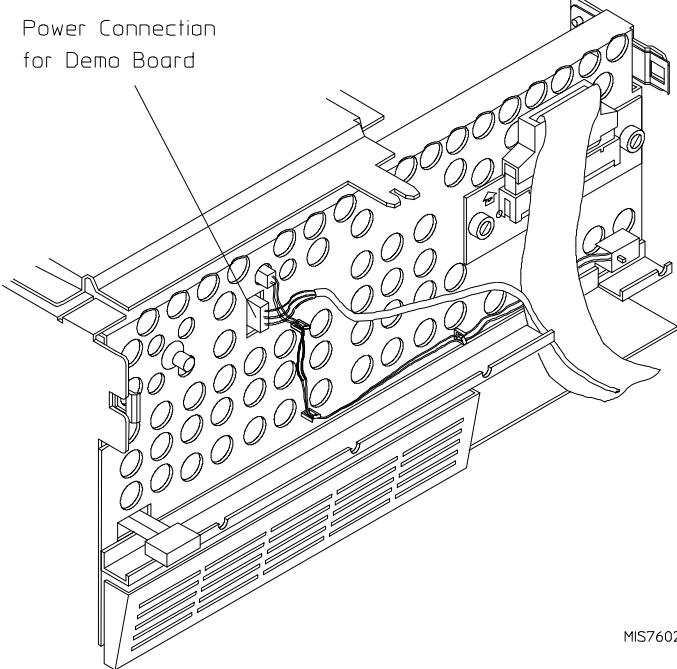
To install a card, insert it into the plastic guides. Make sure the connectors are properly aligned; then, press the card into the mother board socket. Ensure that each card is seated all the way into its socket. If the cards can be removed with your fingers, the cards are NOT seated all the way into the mother board sockets.

Attach the ribbon cable from the emulation control card to the analyzer card, and to the software performance analyzer, if installed. Tighten the thumbscrews that hold the emulation control card to the cardcage frame.



Chapter 1: Preparing the Emulator
Step 3. Install Boards into the HP 64700 Card Cage

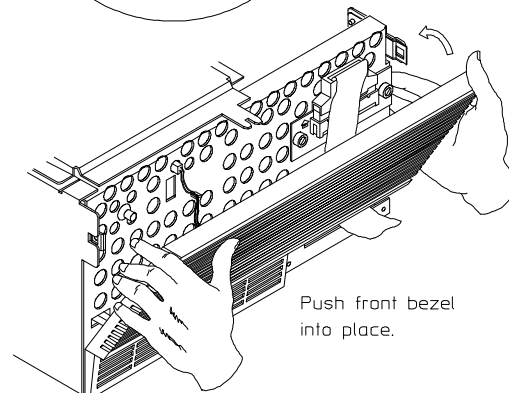
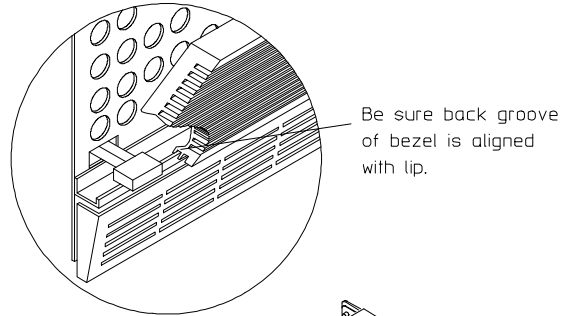
11 Connect the +5 V power cable to the connector in the HP 64700 front panel.



Chapter 1: Preparing the Emulator

Step 3. Install Boards into the HP 64700 Card Cage

12 To reinstall the front bezel, be sure that the bottom rear groove of the front bezel is aligned with the lip as shown below.



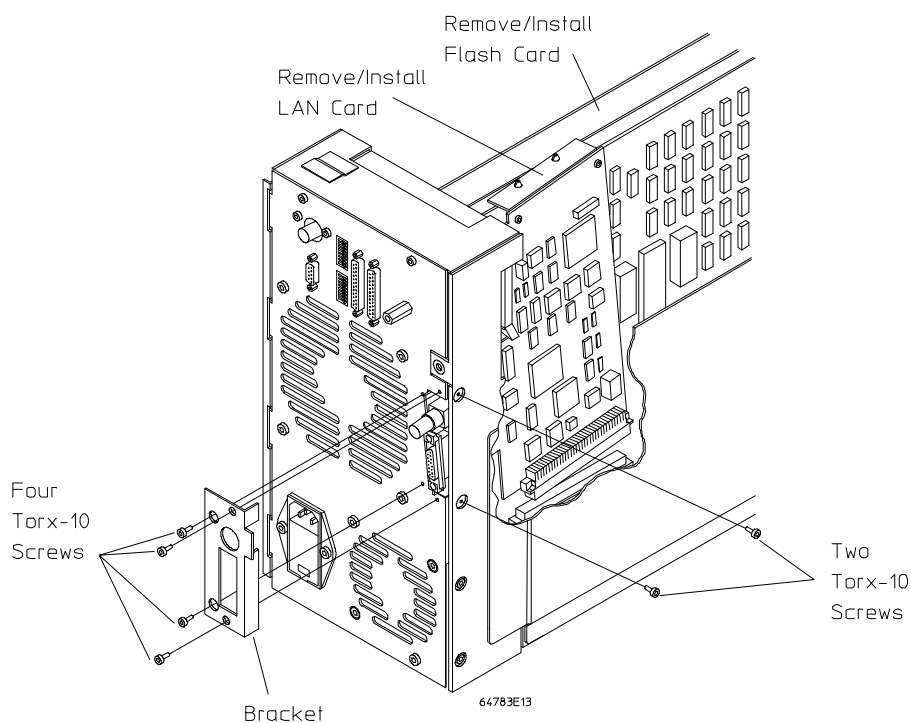
MIS70023

Chapter 1: Preparing the Emulator
Step 3. Install Boards into the HP 64700 Card Cage

13 This step applies only to the HP 64700A. The HP 64700 has a built-in LAN interface.

Before you install the LAN card, you must remove the rear panel cover plate that is replaced by the bracket shown in the figure below.

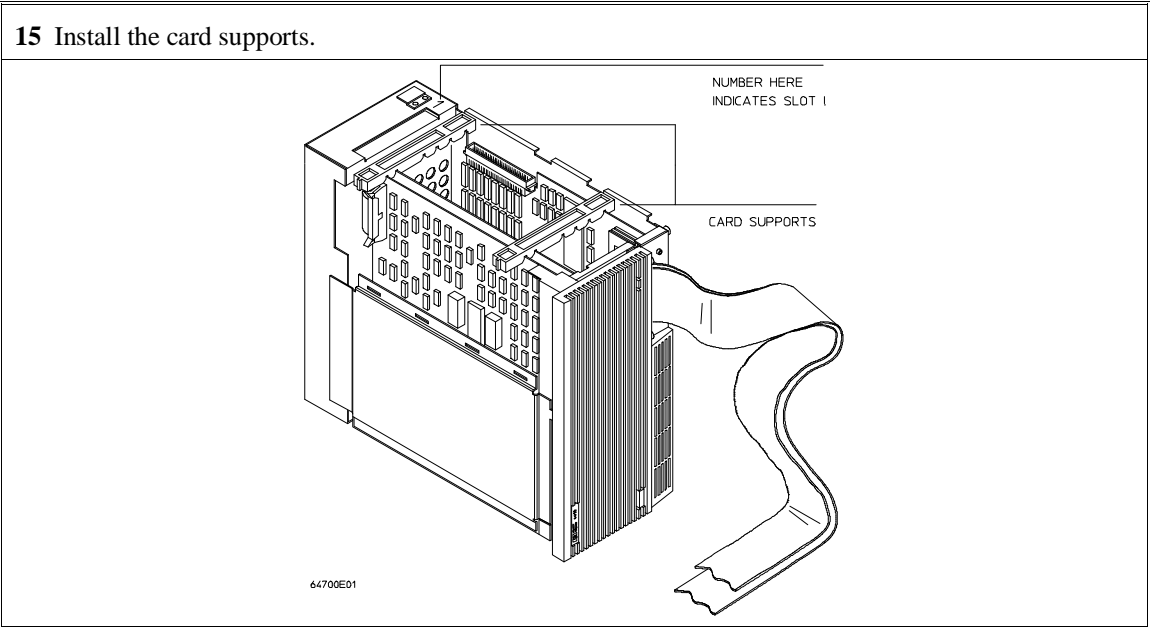
To install the LAN card, position the BNC and 15-pin connectors of the LAN card through the openings in the rear panel, press the card into the mother board socket, secure the card with the two Torx T-10 screws, and mount the bracket to the rear panel with the four Torx T-10 screws.



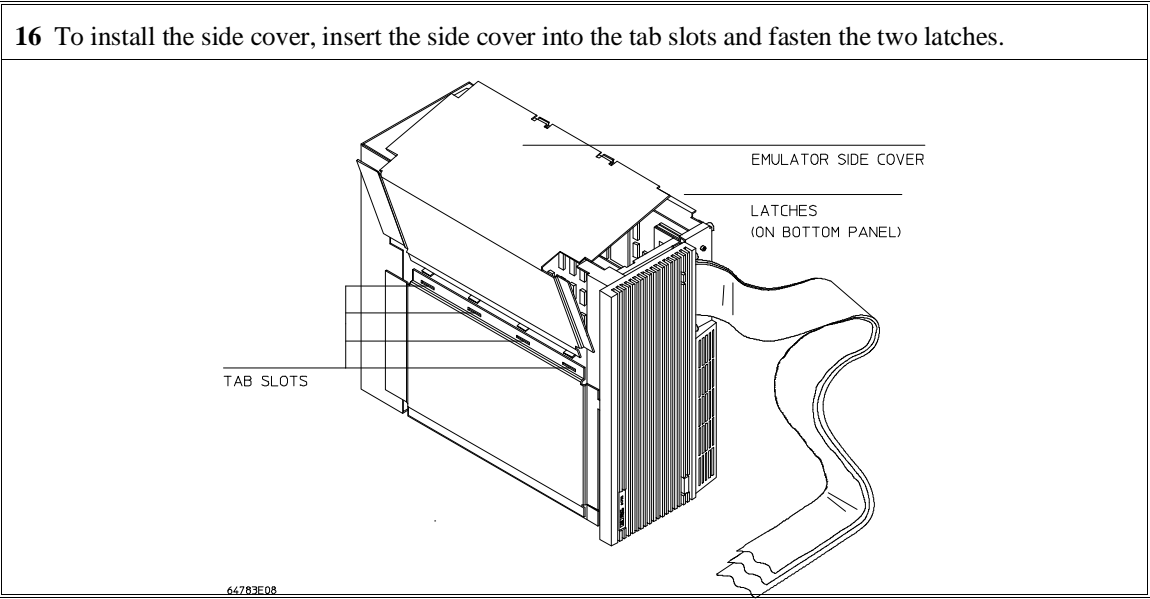
14 This step applies only to the HP 64700A. If you wish to install the flash card (used for updating firmware, see chapter 5), refer to the diagram above. Install the flash card in any available slot between the 80-channel analyzer card and the HP 64748C control card in the cardcage. Insert the flash card in the plastic guides. Make sure the connectors are properly aligned. Then press the card into the mother board sockets. Make sure the card is seated all the way into the sockets.

Chapter 1: Preparing the Emulator
Step 3. Install Boards into the HP 64700 Card Cage

15 Install the card supports.

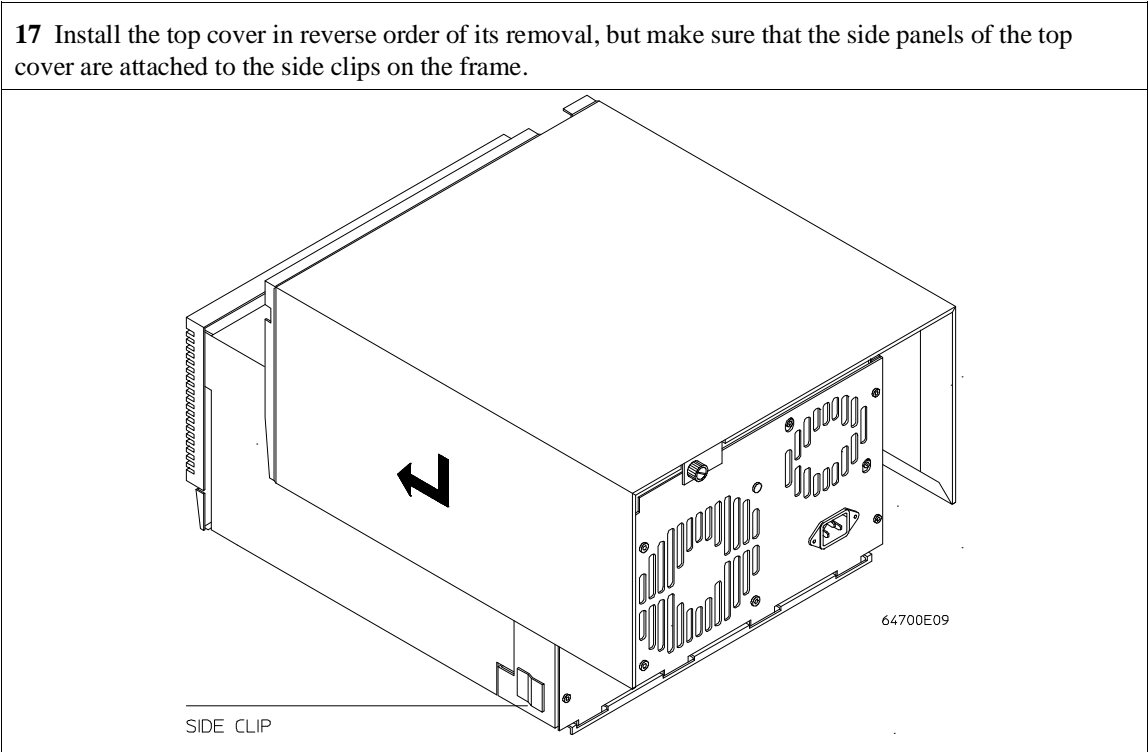


16 To install the side cover, insert the side cover into the tab slots and fasten the two latches.



Chapter 1: Preparing the Emulator
Step 3. Install Boards into the HP 64700 Card Cage

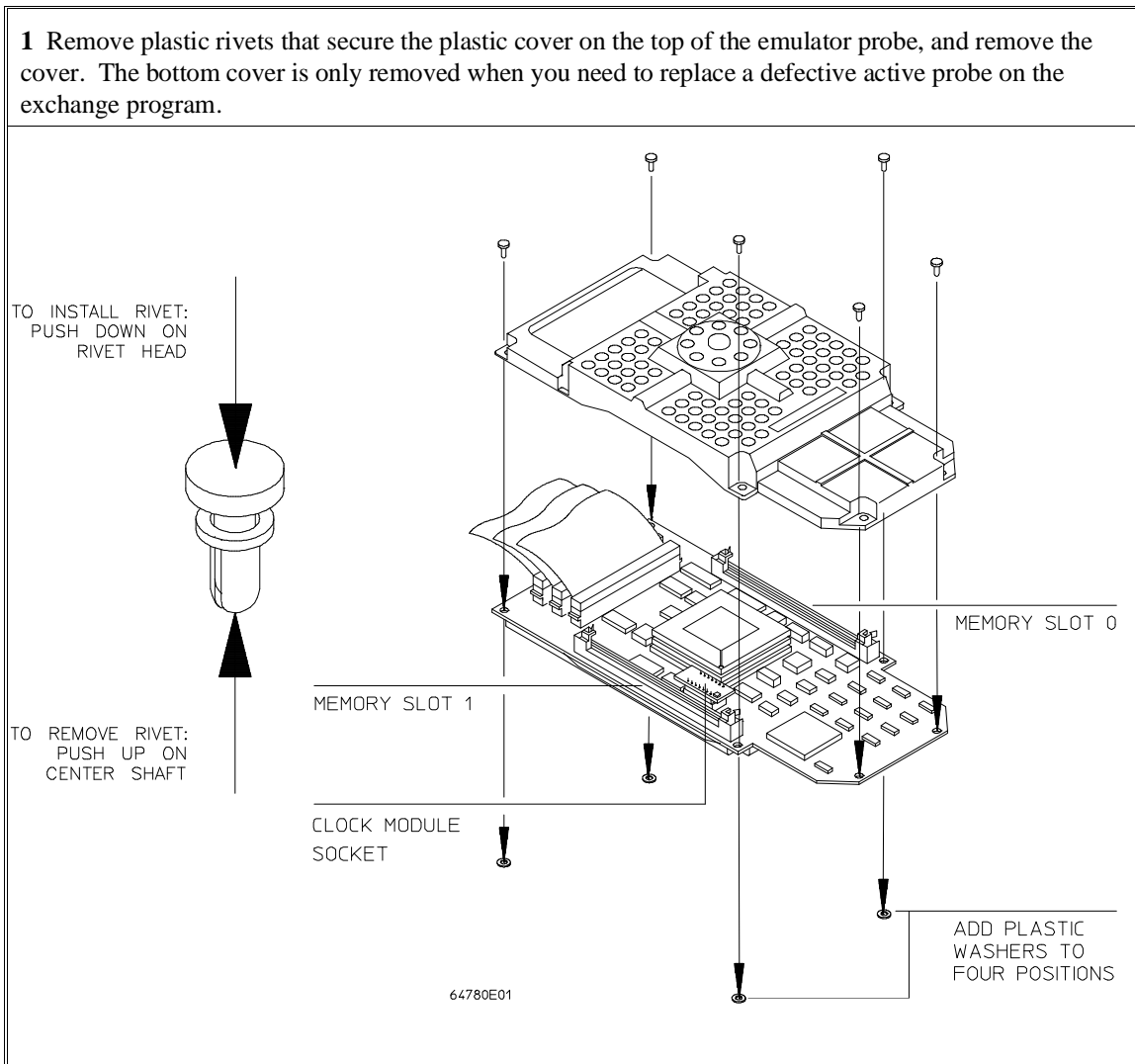
17 Install the top cover in reverse order of its removal, but make sure that the side panels of the top cover are attached to the side clips on the frame.



Step 4. Install emulation memory modules and system clock modules on emulator probe

(Observe antistatic precautions)

1 Remove plastic rivets that secure the plastic cover on the top of the emulator probe, and remove the cover. The bottom cover is only removed when you need to replace a defective active probe on the exchange program.



Step 4. Install emulation memory modules and system clock modules on emulator probe

2 Determine the placement of the emulation memory modules. Three types of modules may be installed: 256 Kbyte (HP 64172A), 1 Mbyte (HP 64172B), and 4 Mbyte (HP 64173A). Any of the emulation memory modules can be installed in either memory slot on the probe. Do not use HP 64171A/B modules; they are too slow.

Memory in both memory slots is divided into four equal blocks that can be allocated by the memory mapper.

If you need new rivets or washers to complete this installation procedure, refer to Chapter 7, "Parts List," for the part number of the Plastic Rivets Kit.

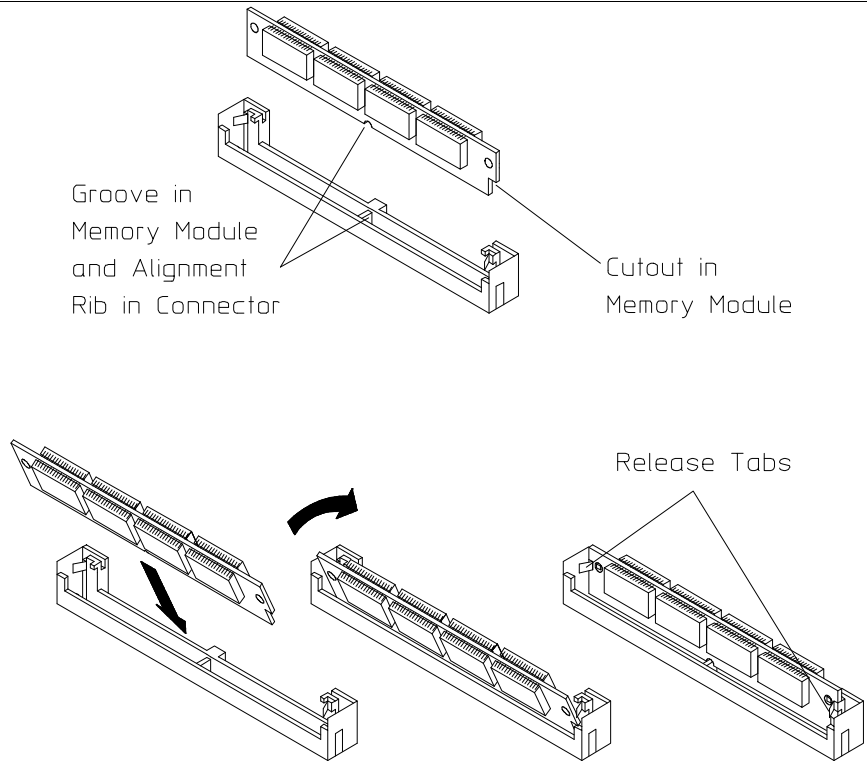


Step 4. Install emulation memory modules and system clock modules on emulator probe

3 Install emulation memory modules on the emulator probe. There is a cutout at one end of the memory modules so they can only be installed the correct way.

To install a memory module:

- 1** Align the groove in the memory module with the alignment rib in the connector.
- 2** Align the cutout in the memory module with the projection in the connector.
- 3** Place the memory module into the connector groove at an angle.
- 4** Firmly press the memory module into the connector and make sure it is completely seated.
- 5** Rotate the memory module to the vertical position so that the pegs on the connector fit into the holes on the memory module.
- 6** Make sure the release tabs at each end of the connector snap around the memory module to hold it in place.



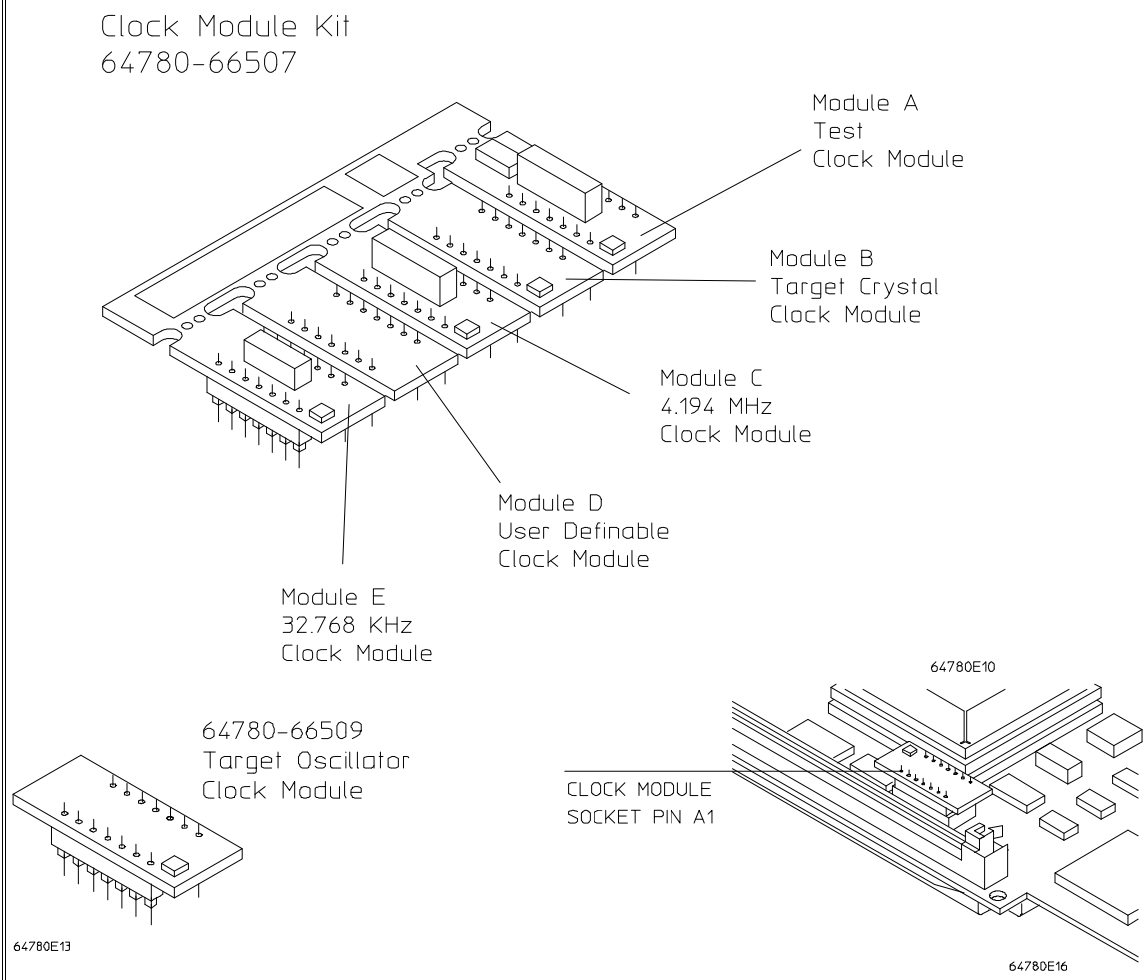
64794E03

Step 4. Install emulation memory modules and system clock modules on emulator probe

4 Select the appropriate clock module to supply the system clock. Guidelines for selecting the clock module are on page 60.

The Target Oscillator Clock Module is a jumper board which comes installed on the emulator probe.

Other clock modules are part of the Clock Module Kit which is supplied with the 68360 emulator. Additional Clock Module Kits can be ordered from Hewlett-Packard for emulator support. To use one of these modules, break off the desired module from the Clock Module Kit, and install it in the clock module socket on the 68360 emulator probe, as shown below and on page 29. Make sure to align pin 1 correctly.

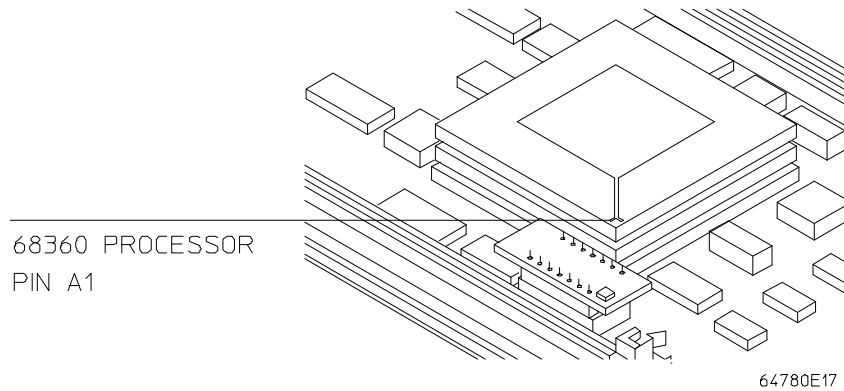


Step 4. Install emulation memory modules and system clock modules on emulator probe

5 If the processor needs to be replaced

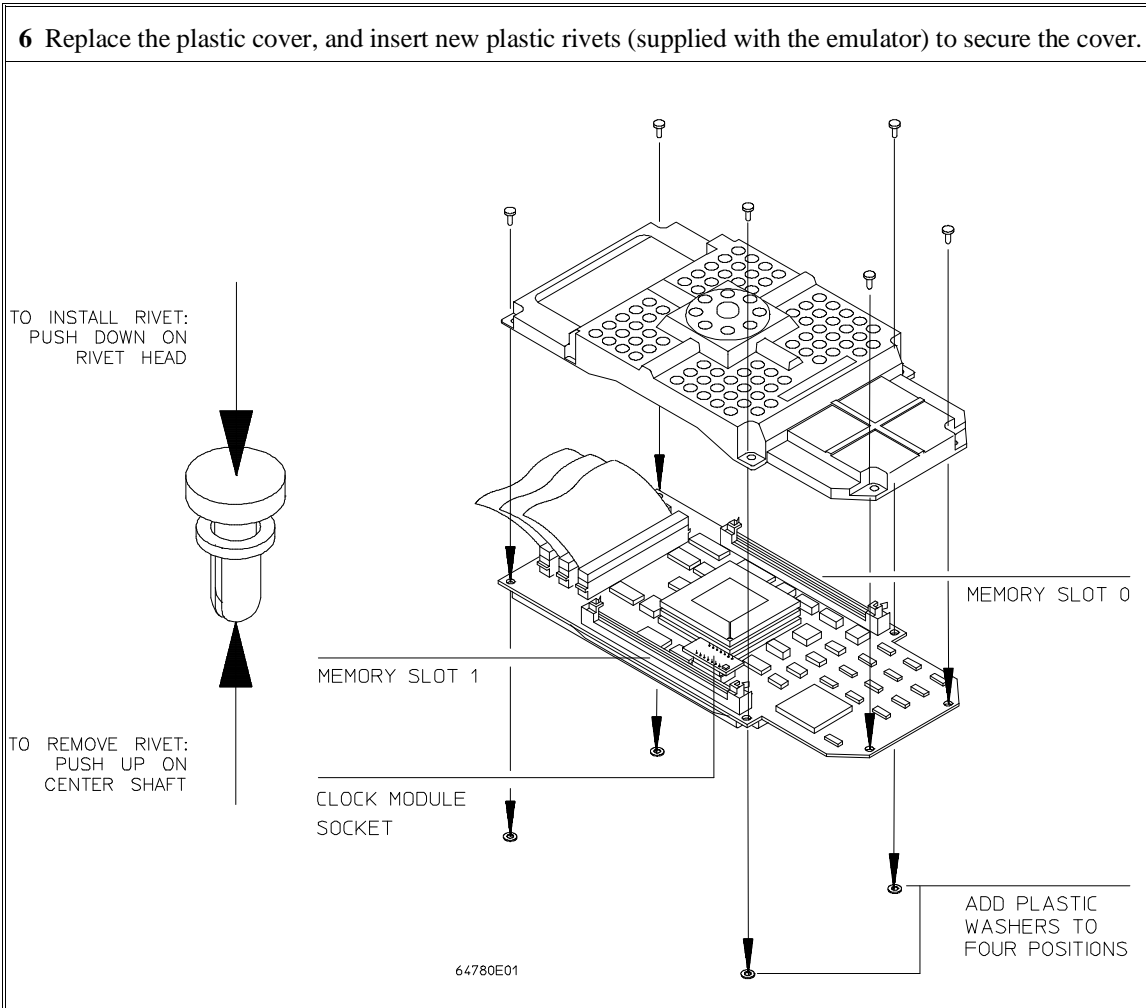
Use a PGA removal tool to extract the processor. If a PGA removal tool is not available, pry the processor up by inserting a wide-blade screw driver along the edge and twisting.

Align the new processor correctly (see illustration) and start to seat the processor. Make sure all pins are properly seated. To fully seat the processor, support the back side of the probe and press firmly.



Step 4. Install emulation memory modules and system clock modules on emulator probe

6 Replace the plastic cover, and insert new plastic rivets (supplied with the emulator) to secure the cover.



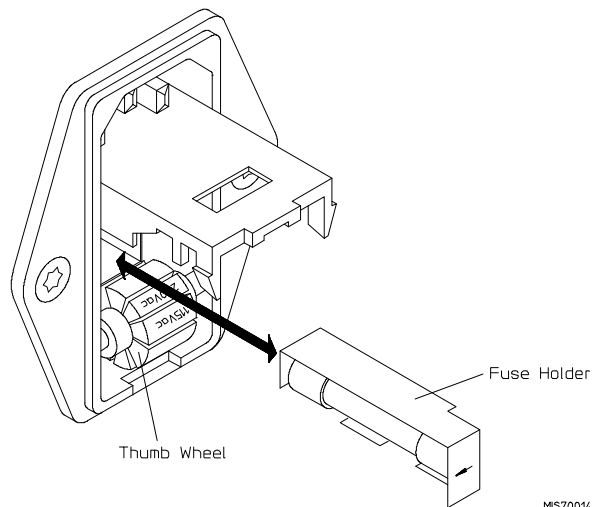
Step 5. Connect the power cord

The HP 64700B automatically selects the 115 Vac or 220 Vac range. In the 115 Vac range, the HP 64700B will draw a maximum of 345 W and 520 VA. In the 220 Vac range, the HP 64700B will draw a maximum of 335 W and 600 VA.

If you have the emulator installed in an HP 64700A card cage, select the line voltage using a thumb-wheel switch inside the power control module on the rear panel of the card cage. The input frequency must be in the range of 48 to 66 Hz. At 115 VAC, the emulator will draw a maximum of 3.0 A. At 220 VAC, it will draw a maximum of 1.5 A.

The HP 64700 is shipped from the factory with a power cable appropriate for your country. You should verify that you have the correct power cable for installation.

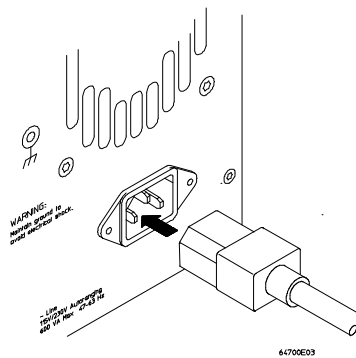
If the cable you received is not appropriate for your electrical power outlet type, contact your Hewlett-Packard sales and service office.

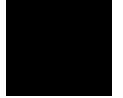


Chapter 1: Preparing the Emulator
Step 5. Connect the power cord

1 Connect the power cord and turn on the HP 64700.

The line switch is a pushbutton located at the lower, left-hand corner of the front panel. To turn ON power to the HP 64700, push the line switch button in to the ON (1) position. The power lamp at the lower, right-hand corner of the front panel will light.





Connecting to a Host Computer

How to connect the emulator to a workstation, PC or terminal.

Step 1: Choose a system configuration

As you follow the steps in this chapter, you will need to refer to the *64700 Card Cage Installation/Service Guide*.

Step 1: Choose a system configuration

- 1 Decide how you will connect the emulator to your host computer. Refer to the "Concepts" chapter in the *64700 Card Cage Installation/Service Guide*.
- 2 If you will be using a LAN connection, continue with the steps in this chapter.

If you will be using a serial connection, refer to the information in the *64700 Card Cage Installation/Service Guide*; you may skip the rest of this chapter.

Step 2: Connect the LAN cable

- Connect the LAN to either the BNC connector or the 15-pin AUI connector.

The card cage can communicate with computers on an IEEE 802.3 or Ethernet Local Area Network. (If you have a 64700A card cage, you need the HP 64701A LAN card to connect to a LAN.) You can use either of two lan connectors:

- A BNC connector that can be directly connected to a ThinLAN (HP's implementation of IEEE 802.3 Type 10BASE2) cable. The card cage provides the functional equivalent of a Medium Attachment Unit (MAU) for ThinLAN.
- A 15-pin connector for an Attachment Unit Interface (AUI) cable. The AUI cable allows you to connect to an off-board MAU for ThinLAN, a ThickLAN (HP's implementation of IEEE 802.3 Type 10BASE5) connection, or to a Pod for a StarLAN 10 (HP's implementation of IEEE 802.3 Type 10BASE-T) connection.

CAUTION

CORRUPTED DATA! The LAN connection to the BNC will maintain software integrity and can maintain communication when subjected to low levels of Electrostatic Discharge (ESD) directly to the LAN connector.

When operating in an environment where ESD pulses are in excess of 2500 volts, using a ThinMAU adapter (instead of a direct connection) is more reliable and less susceptible to data corruption from ESD to the LAN cable.

Use either the BNC or the AUI connector. Do NOT use both. The LAN interface will not work with both connected at the same time.

Step 3: Install host software

- 1 If you have not already done so, install the LAN software on your host computer.
- 2 If you are using a UNIX(R)-based workstation, install the interface software now.

HP supplies the **ipconfig700** command as part of the HP B1471 64700 Operating Environment software. This command will greatly simplify the task of configuring the LAN connection.

Step 4: Configure the LAN parameters

- If you are using a UNIX-based workstation and you have installed the **ipconfig700** command, see "To configure LAN parameters using 'ipconfig700'" in this chapter.
- If you are using an HP-UX workstation, and you have not installed the **ipconfig700** command, see "To configure LAN parameters using BOOTP" in the *64700 Card Cage Installation/Service Guide*.
- If you are using the HP Real-Time C interface on a PC, see the instructions in your Real-Time C interface manual.
- Otherwise, see "To configure LAN parameters using the terminal interface" in this chapter.

To configure LAN parameters using "ipconfig700"

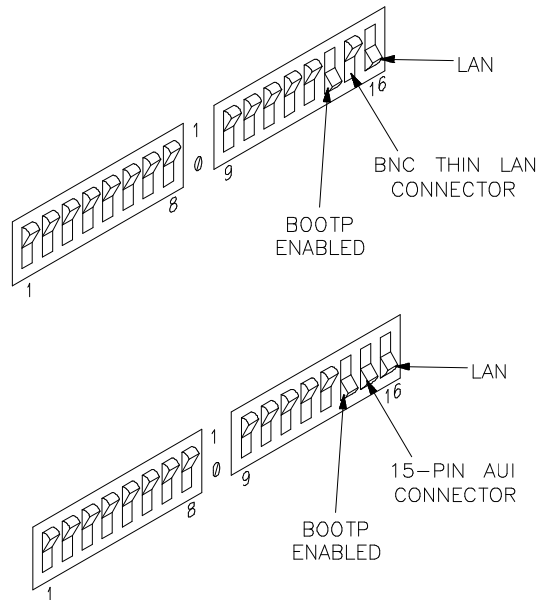
If you are using an HP 9000 Series 300/400/700 computer or Sun SPARCsystem computer and you have installed the HP B1471 64700 Operating Environment software, you can configure the LAN parameters with the **ipconfig700** command.

The **ipconfig700** command sets the Internet Address, Gateway Address, and Subnet Mask on the card cage LAN interface. An Internet Address must be configured for the card cage before a network interface connection can be made.

The **ipconfig700** command cannot be used if your system has a bootp daemon running. If this is the case, use BOOTP to configure LAN parameters.

The following steps need to be taken when configuring the network parameters.

- 1 Connect the card cage to your network. This connection can be made by using either the 15 Pin AUI connector or the BNC connector.
- 2 Set the rear panel dip switches to indicate the type of connection that is to be made.



Chapter 2: Connecting to a Host Computer

To configure LAN parameters using "ipconfig700"

Switch 16 must be set to one (1) indicating that a LAN connection is being made.

Switch 15 should be zero (0) if you are connecting up to the BNC connector or set to one (1) if a 15 pin AUI connection is made.

Switch 14 must be set to one (1) to prepare for the receiving of the network parameters.

Set all other switches to zero (0).

- 3 Turn ON power to the emulator card cage.
- 4 Become the root user on the host computer.
- 5 Enter the **ipconfig700 -l <link> -i <internet> [-g <gateway>] [-s <subnet>]** command.

The **ipconfig700** parameters are:

- | | |
|---------------|---|
| -l <link> | The Link Level Address is entered as 12 character hex ASCII address. This address is configured in each LAN interface shipped from the factory. This address is printed on the rear panel of the card cage. For example, 08000F090B30 is a link level address. |
| -i <internet> | The Internet Address must be obtained from your Local System Administrator. The value is entered in integer dot notation. For example, 192.35.12.6 is an Internet Address. |
| -g <gateway> | The Gateway Address is also an Internet address and is entered in integer dot notation. This entry is optional and will default to 0.0.0.0, meaning all connections are to be made on the local network or subnet. If connections are to be made to workstations on other networks or subnets, this address must be set to the address of the gateway machine. The gateway address must be obtained from your local system administrator. |
| -s <subnet> | The Subnet Mask is also entered in integer dot notation. This entry is optional and will default to 0.0.0.0. The default is valid only on networks that are not subnetted. (A network is subnetted if the host portion of the Internet address is further |

Chapter 2: Connecting to a Host Computer To configure LAN parameters using "ipconfig700"

partitioned into a subnet portion and a host portion.) If the network is subnetted, a subnet mask is required in order for the emulator to work correctly. The subnet mask should be set to all "1"s in the bits which correspond to the network and subnet portions of the Internet address and all "0"s for the host portion. The subnet mask must be obtained from your local system administrator.

If the **ipconfig700** command is entered without any options, the program interactively prompts for the necessary information.

If the Link Level Address on the rear panel of your card cage read 08000F090F30, and your system administrator gave you the Internet Address 192.35.12.6, you could enter the following command:

```
$ ipconfig700 -l 08000F090B30 -i 192.35.12.6 <RETURN>
```

Since no Gateway Address or Subnet Mask was entered these values would default to 0.0.0.0. When the Internet Address is successfully programmed, **ipconfig700** will ask the emulator to display its version information.

- 6 Set switch 14 back to zero (0). Do this so the next time power is cycled on the emulator it will not enter a state waiting for network parameters.
- 7 Verify your emulator is now active and on the network by issuing a **telnet** to the Internet Address. For example:

```
$ telnet 192.35.12.6 <RETURN>
```

This connection will give you access to the emulator's built-in terminal interface. To exit from this telnet session, type <CTRL>d at the emulator prompt.

Once you have entered an Internet Address, and you want to change it to a different number, the best way to accomplish this is to telnet to the emulator and use the terminal interface **lan** command to make the change.

To configure LAN parameters using the terminal interface

- 1 Set all of the rear panel switches to the down position. This will set the serial port (Port A on a 64700A card cage) to 9600 baud and DCE.
- 2 Connect an ASCII terminal to the serial port with a 25-pin RS-232 cable.

You can also connect to a computer's RS-232 port and use a terminal emulation program on the computer. Refer to the "Connecting the HP 64700 Using RS-232/RS-422" chapter in the *64700 Card Cage Installation/Service Guide*.

- 3 Turn ON the emulator card cage. Press the terminal's <RETURN> key a couple times. You should see the "R>" prompt.
- 4 Display the current LAN configuration values by entering the **lan** command:

```
R>lan
lan -i 0.0.0.0
lan -g 0.0.0.0
lan -s 0.0.0.0
lan -p 6470
Ethernet Address : 08000903212f
```

Note the Ethernet Address, also known as the link-level address. This address is preassigned at the factory, and is printed on the rear panel.

- 5 Enter the **lan -i <internet> [-g <gateway>] [-s <subnet>] [-p <port>]** command.

The **lan** command parameters are:

- i <internet> The Internet Address must be obtained from your local system administrator. The value is entered in integer dot notation. For example, 192.35.12.6 is an Internet Address.
- g <gateway> The Gateway Address is also an Internet Address and is entered in integer dot notation. This entry is optional and will default to 0.0.0.0, meaning all connections are to be made on the local network or subnet. If connections are to be made to workstations on other networks or subnets, this address must be

Chapter 2: Connecting to a Host Computer To configure LAN parameters using the terminal interface

set to the address of the gateway machine. The gateway address must be obtained from your local system administrator.

`-s <subnet>` The Subnet Mask is also entered in integer dot notation. This entry is optional and will default to 0.0.0.0. The default is valid only on networks that are not subnetted. (A network is subnetted if the host portion of the Internet address is further partitioned into a subnet portion and a host portion.) If the network is subnetted, a subnet mask is required in order for the emulator to work correctly. The subnet mask should be set to all "1"s in the bits which correspond to the network and subnet portions of the Internet address and all "0"s for the host portion. The subnet mask must be obtained from your local system administrator.

`-p <port>` This changes the base TCP service port number. The host computer interfaces communicate with the emulator through two TCP service ports. The default base port number is 6470. The second port has the next higher number (default 6471). If you change the base port, the new value must also be entered in the `/etc/services` file on the host computer. For example, you could modify the line:

```
hp64700 6470/tcp
```

The default numbers (6470, 6471) can be changed if they conflict with some other product on your network. TCP service port numbers must be greater than 1024.

For example, to assign an Internet Address of 192.6.94.2 to the emulator, enter the following command:

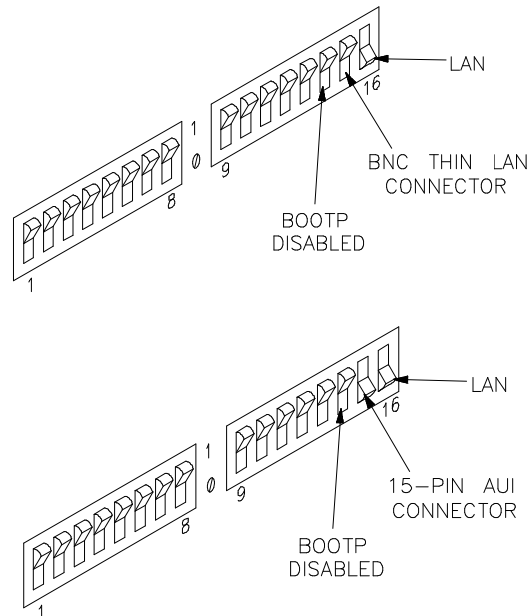
```
R>lan -i 192.6.94.2 <RETURN>
```

The Internet Address and any other LAN parameters you change are stored in nonvolatile memory and will take effect the next time the emulator is powered off and back on again.

- 6 Turn power to the emulator OFF, and connect the the emulator to your network. This connection can be made by using either the 15 Pin AUI connector or the BNC connector.

Chapter 2: Connecting to a Host Computer
To configure LAN parameters using the terminal interface

- 7 Set the rear panel dip switches to indicate the type of connection that is to be made:



Switch 16 must be set to one (1) indicating that a LAN connection is being made.

Switch 15 should be zero (0) if you are connecting up to the BNC connector or set to one (1) if a 15 pin AUI connection is made.

Switch 14 should be zero (0).

Set all other switches to zero (0).

- 8 Turn ON power to the emulator card cage.
- 9 Verify your emulator is now active and on the network by issuing a **telnet** to the Internet Address. For example:

```
$ telnet 192.6.94.2 <RETURN>
```

This connection will give you access to the built-in terminal interface. To exit from this telnet session, type <CTRL>d at the emulator prompt.

The next time LAN parameters need to be configured, telnet to the emulator and use the terminal interface **lan** command.

If "telnet" does not access the emulator

You must use the **telnet** command on the host computer to access the emulator's built-in terminal interface. After powering up the emulator, it takes a minute before the it can be recognized on the network. After a minute, try the **telnet <internet address>** command.

If **telnet** does not make the connection:

- Make sure that you have connected the emulator to the proper power source and that the power light is lit.
- Make sure that the LAN cable is connected. Refer to your LAN documentation for testing connectivity.
- Make sure the rear panel communication configuration switches are set correctly. Switch settings are only used to set communication parameters when power is turned OFF and then ON.
- Make sure that the Internet Address is set up correctly. You must use the RS-232/RS-422 port to verify this that the Internet Address is set up correctly. While accessing the emulator via the RS-232/RS-422 port, run performance verification on the LAN interface hardware with the **lanpv** command.

If **telnet** makes the connection, but no terminal interface prompt (for example, R>, M>, U>, etc.) is supplied:

- It's possible that the emulator interface software is in the process of running a command (for example, if a repetitive command was initiated from telnet in another window). You can use <CTRL>c to interrupt the repetitive command and get the terminal interface prompt.
- It's also possible for there to be a problem with the emulator firmware while the LAN interface is still up and running. In this case, you must cycle power on the emulator card cage.



3



Connecting to the Demo Board

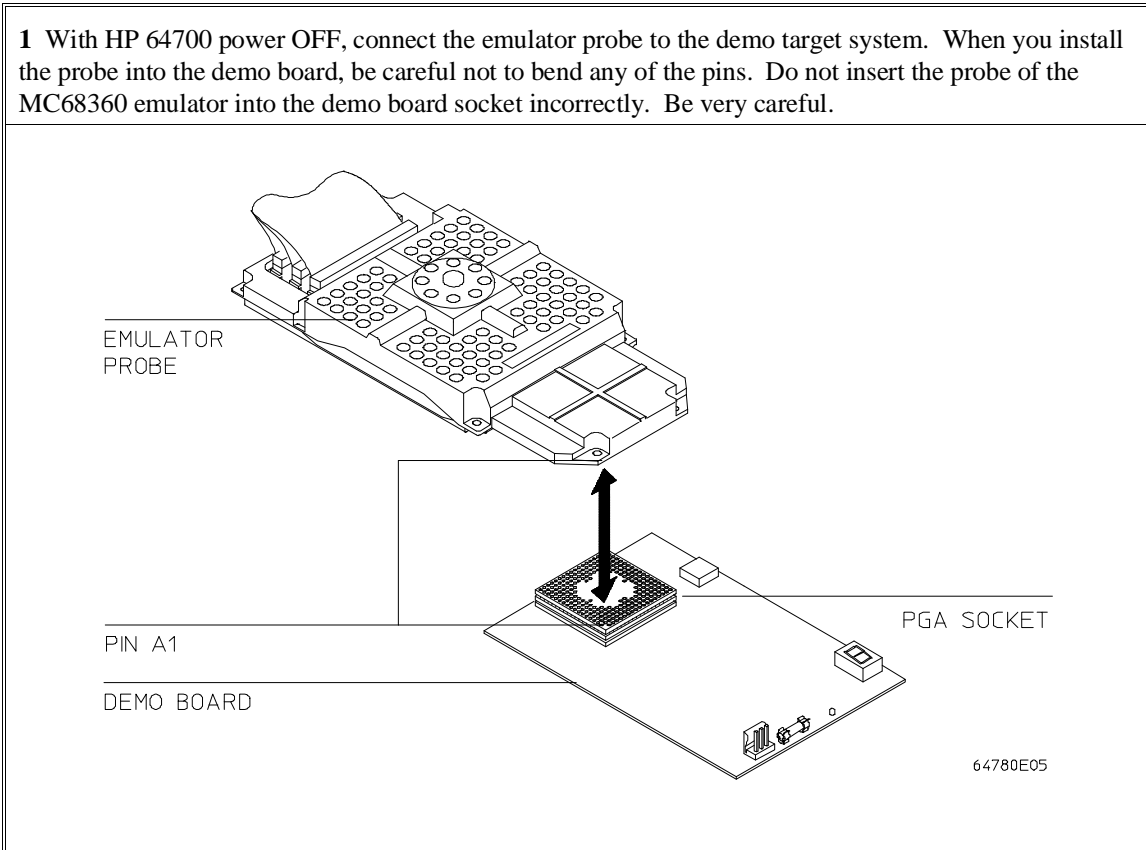
How to connect the emulator to the demonstration target system.

Installation

This chapter shows you how to connect the emulator to the demo target system which is shipped with the emulator. It also shows you how to verify installation by starting the emulator/analyzer interface for the first time.

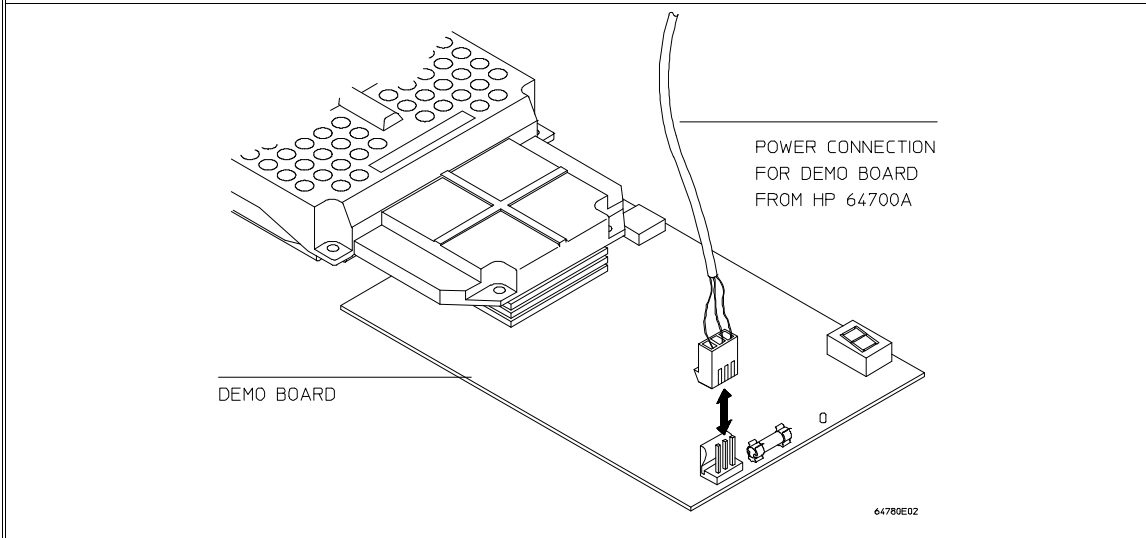
Step 1. Connect the emulator probe to the demo target system

1 With HP 64700 power OFF, connect the emulator probe to the demo target system. When you install the probe into the demo board, be careful not to bend any of the pins. Do not insert the probe of the MC68360 emulator into the demo board socket incorrectly. Be very careful.

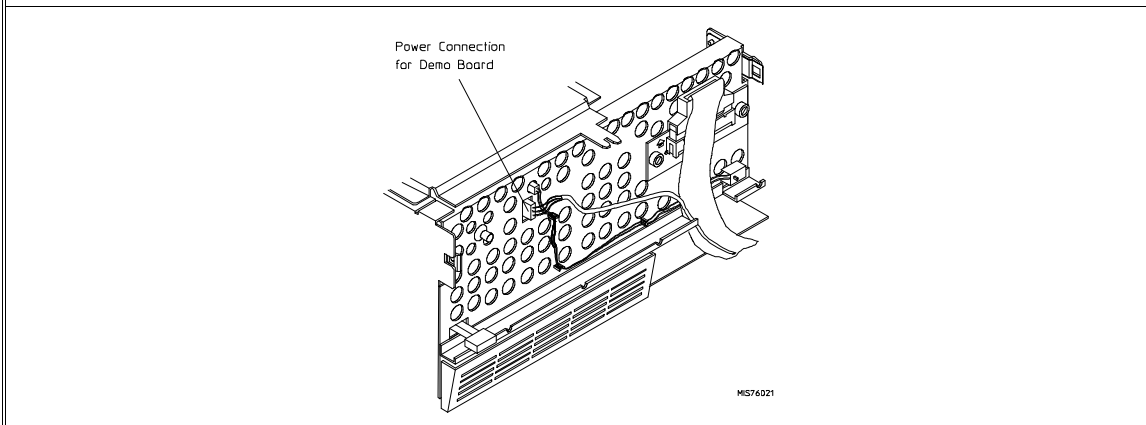


Chapter 3: Connecting to the Demo Board
Installation

2 Connect the power supply wires from the emulator to the demo target system. The 3-wire cable has one power wire and two ground wires. **When attaching the 3-wire cable to the demo target system, make sure the connector is aligned properly so that all three pins are connected.**



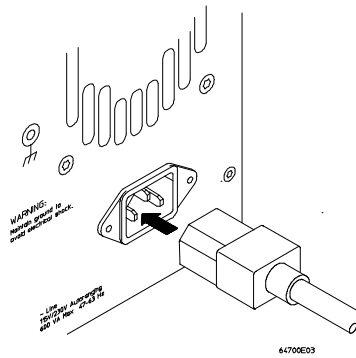
3 If you have not already done so, connect the +5 V power cable to the connector in the HP 64700 front panel. See pages 15, 16, and 19.



Step 2. Apply power to the HP 64700

- 1 Connect the power cord and turn on the HP 64700.

The line switch is a push button located at the lower, left-hand corner of the front panel. To turn ON power to the HP 64700, push the line switch button in to the ON (1) position. The power light at the lower, right-hand corner of the front panel will be illuminated.



Step 3. Verify the performance of the emulator

1 Establish communication with the emulator from your host or ASCII terminal and obtain a prompt (such as **R>**).

2 Enter: **pv 1** <return>

The emulator will print the results of its test, followed by a prompt.

3 Enter: **ver** <return>

The emulator will print some version numbers and the status of the memory modules on the probe, followed by a prompt.

4 Enter: <CTRL>d

This command will end the emulation session.

5 If the emulator reported any failures, refer to Chapter 6.

Examples

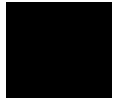
If you are using a LAN, you can use the telnet capability with the built-in Terminal Interface:

1 From your host computer enter the command: **telnet <emulator_name>**.

2 Now enter the command: **pv 1**

Note: the HP 64700 telnet capability is not officially supported by Hewlett-Packard.

4



Connecting the Emulator to a Target System

Things you need to know to successfully connect the emulator to a target system and overcome problems you may encounter.

Plugging The Emulator Into A Target System

The following paragraphs help you understand the emulator. Equivalent circuits are shown, followed by a list of devices that you may need to use to overcome mechanical and electrical constraints in your target system.

Understanding an emulator

An emulator is a tool intended for debugging software, and the interactions between software and hardware. Although emulators can help in debugging certain hardware problems, catastrophic problems often require use of other tools, such as a timing analyzer with a preprocessor, or an oscilloscope. To use an emulator effectively, you need to understand its capabilities and limitations, and how it interacts with your target system. This chapter discusses limitations and interactions of an emulator, as they relate to your target system.

An emulator is designed to be electrically and functionally equivalent to the processor it emulates. Some MC68360 signals are electrically isolated from their counterparts on the target system connection. This is done for both electrical and functional reasons. Equivalent circuits of each processor signal are shown later in this chapter. The impact of these circuits is calculated and presented in the emulator specifications beginning on page 144.

Target system design

A target system that is designed around MC68360 worst case specifications should work with the emulator. Ideally, you would use the emulator specifications listed in this manual when designing your target system instead of the processor specifications. But usually your target system has already been designed and prototyped. If certain circuits in your target system do not allow for variations in the MC68360 specifications, compare the relevant emulator specifications to evaluate their impact on your target system. By keeping the differences between emulator specifications and processor specifications in mind while you design your

Chapter 4: Connecting the Emulator to a Target System

Plugging The Emulator Into A Target System

target system, you can save hours of debugging time when you plug the emulator into your target system.

Buffering and AC specifications

Most signals going to and from the emulator are not intercepted. Of those that are, for example the data bus, most are gated using analog transmission gates which introduce very little delay in these signals. Because these gates don't buffer the signal when they are on, the target system and the internal signals of the emulator are effectively connected. This typically results in the target system seeing more capacitance because of emulator circuitry and traces than with the processor alone. The net result is that even though these transmission gates don't add a lump sum delay, the capacitance may slow the edges of the signal resulting in an extra delay.

A few signals are buffered using LVT family parts. These parts are chosen to provide high speed operation while keeping slew rates to an acceptable level, keep DC loading light, and allow 3.3V operation. The CLK01 output and the AS, DS, and R/W I/Os can be configured to be buffered or not. This buffering can be controlled through the configuration dialogs in the graphical interfaces (see the on-line help for details). In the built-in terminal interface, the **cf clk01** configuration question allows CLK01 to be controlled and the **cf asdsrw** configuration question allows AS, DS, and R/W to be controlled. Different timing specifications are given depending on the selections chosen for these configurations. Signal quality on these signals may be dramatically improved by buffering.

DC specifications

Examine the DC specifications of the emulator to evaluate their differences from processor specifications. Again, you can refer to the equivalent circuit diagrams in this chapter for exact details. Because the emulator does not behave exactly like the processor, you may need to examine signal quality and take appropriate steps to compensate for differences.

Clocks

The 68360 can operate in two basic clock modes; with an oscillator or crystal. The emulator supports both these modes. To provide the most flexibility for supporting these clock modes, the emulator allows operation from either the target system clock source or from an internal clock source. These options are provided through several clock modules. Some of these clock modules provide connections between

Chapter 4: Connecting the Emulator to a Target System

Plugging The Emulator Into A Target System

the target system clock signals EXTAL and XTAL and the processor. Others implement entire clock crystal circuits.

The CLKO1 clock is the most important signal to the emulator because all system timing is derived from this signal. For proper operation the CLKO1 clock signal must always be available to the emulator. To provide this the default operation of the 68360 is changed to enable the CLKO1 output at all times.

To enable the CLKO1 output, the emulator actually enters the background monitor whenever leaving the hard reset state. This entry into the monitor is automatic and occurs whether the emulator or the target system caused the hard reset. The emulator only stays in the monitor long enough to set the CLKO1 output driver to full strength. The CLKOCR is then write protected to prevent further writing to this register. If the EMSIM (emulator copies of the SIM registers) register set is valid these values will also be put into the CLKOCR at this time. Also if the EMSIM set indicates that the upper address lines will be valid, then the monitor will write to the PEPAR register so that these lines will be driven immediately.

When the background monitor is done making these modifications, the soft reset line is pulsed to force the processor to restart its fetch of the reset vectors. What all of this means to the target system is that following release of reset, there will be a fetch from 0 which the emulator will trap as a bus error. Next the target system will see no activity on the bus for several milliseconds while the monitor performs its operations. Finally the target system will see a pulse of the RESETS signal followed by the resumed fetching of the reset vectors.

Target power

The emulator uses power from the target system to operate the emulation processor and some pullup resistors. Target power is sensed to make sure the emulator does not drive the target system until the target is powered up.

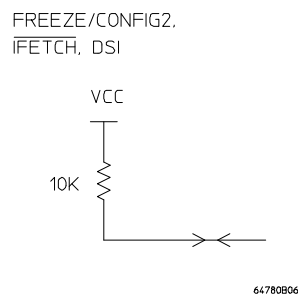
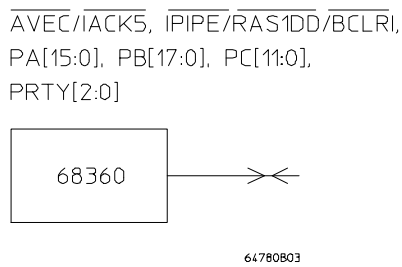
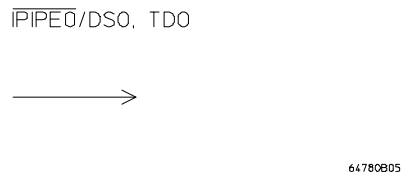
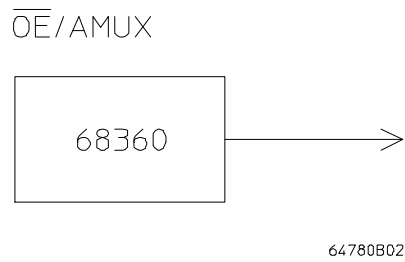
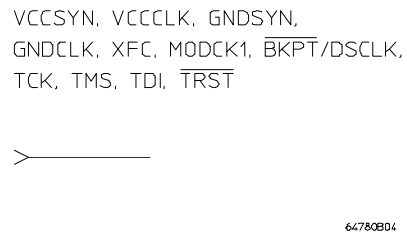
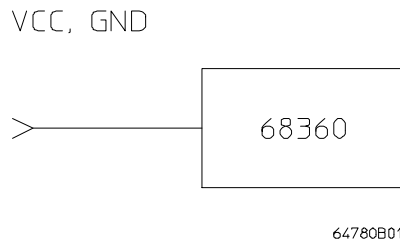
Caution

Possible target system damage.

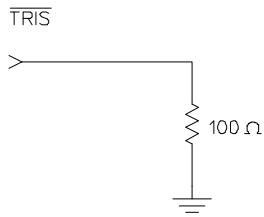
Because of the protections designed into the emulator, always power on the emulator *before* powering on the target system. Always power off the emulator after the target system.

Equivalent circuits

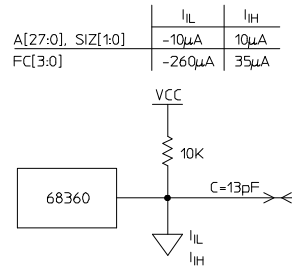
The equivalent circuits shown on this page and the next help you understand connection requirements between the emulator probe and your target system.



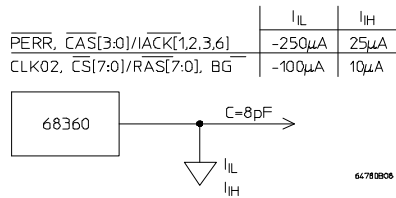
Chapter 4: Connecting the Emulator to a Target System Plugging The Emulator Into A Target System



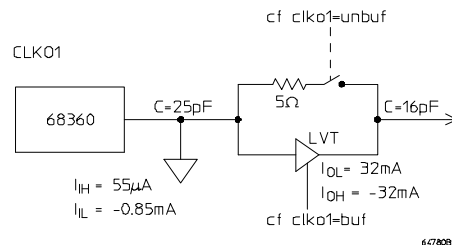
64780907



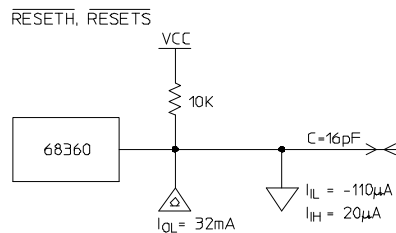
64780910



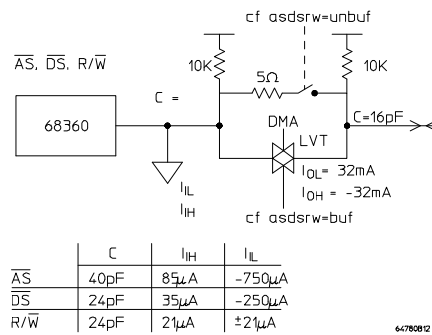
64780908



64780911

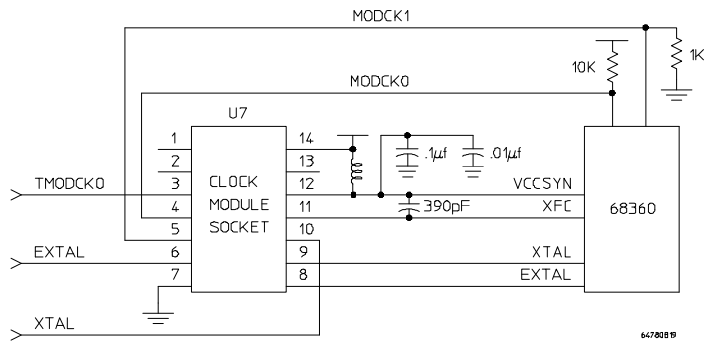
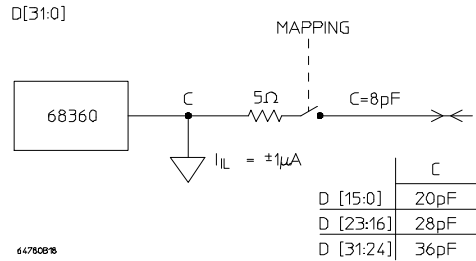
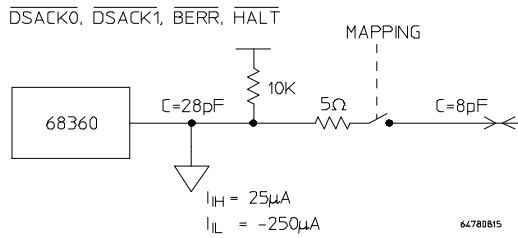
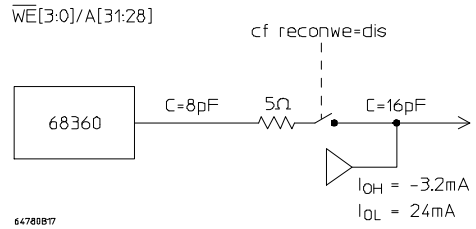
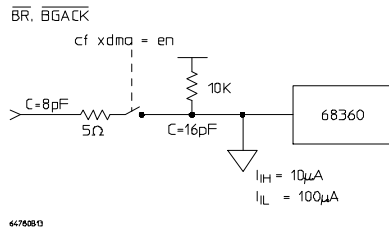
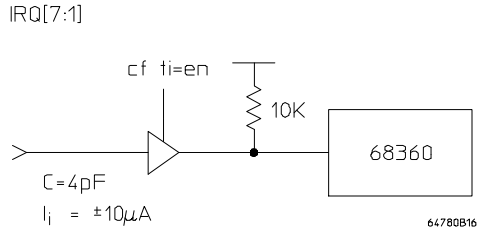
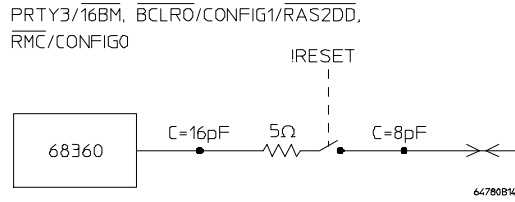


64780909



64780912

Chapter 4: Connecting the Emulator to a Target System Plugging The Emulator Into A Target System

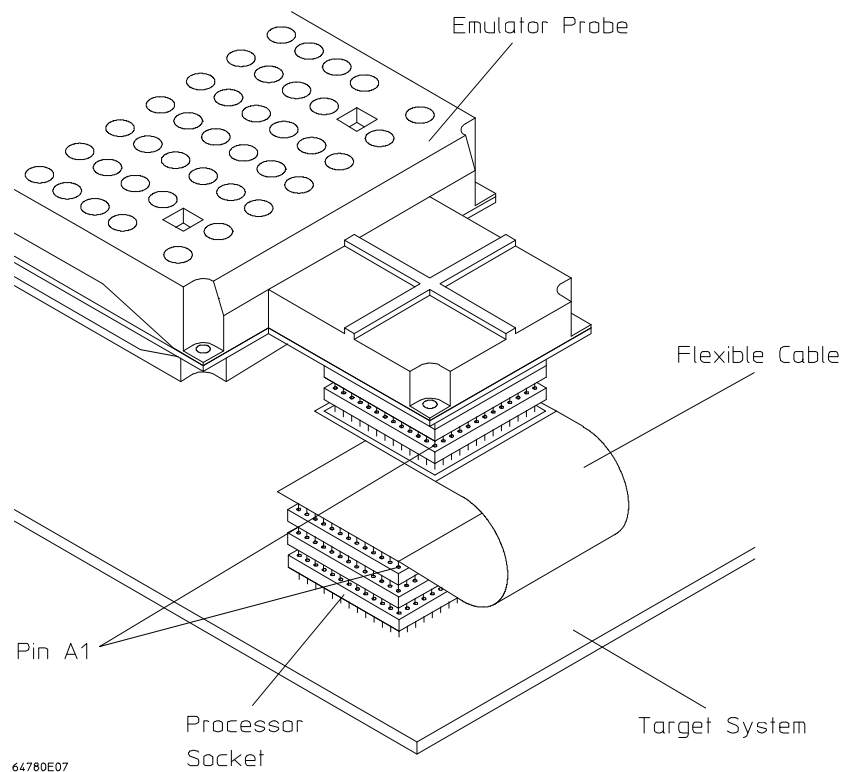


Connecting the emulator to the target system

Plugging the emulator into a target system can be difficult because of mechanical constraints. If the mechanical constraints cannot be removed so that the emulator can be plugged directly into the target socket, there are several accessories available to help with the connection. These accessories are:

- PGA pin protectors, stackable, HP Part Number 1200-1832.
- PGA to PGA Flexible Cable (see below), HP Product Number E3430A.
- QFP adapter.

Unfortunately, these accessories have an electrical impact on your target system. The specifications given for the emulator do not include the impact of these accessories. In addition to delays, the accessories can cause problems with signal quality. Only use these accessories as a last resort.



64780E07

Verifying Operation Of The Emulator In Your Target System

When connecting an emulator into a new target system, the step-by-step approach described in the remainder of this chapter will help you get your system running most quickly. This is a logical procedure that starts out with the most simple requirements and moves toward complete functionality, allowing for verification of installation at each step of the way. This not only helps debug problems if they arise, but builds confidence that the emulator is functioning correctly in your target system.

To begin, run the performance verification procedure described on page 111.

This procedure uses the built-in terminal interface. Once your target system is operating with the emulator, you should begin using one of the graphical user interfaces.

Additional equipment

Some additional equipment may be required to make measurements of MC68360 signals. It will help to have an oscilloscope and high speed timing analyzer to use during these procedures. A 250-MHz timing analyzer may be fast enough, but faster is better. The oscilloscope should have a single-shot bandwidth greater than 500 MHz. You may also need to cross trigger these instruments from the emulator. If there are no trigger inputs to the timing analyzer, you can probably use a timing channel. The BNC trigger output of the 64700 emulation card cage provides a rising edge TTL signal.

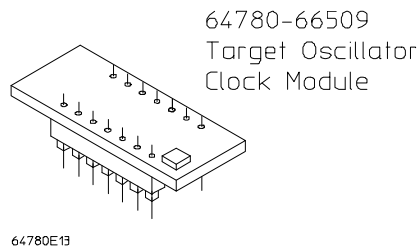
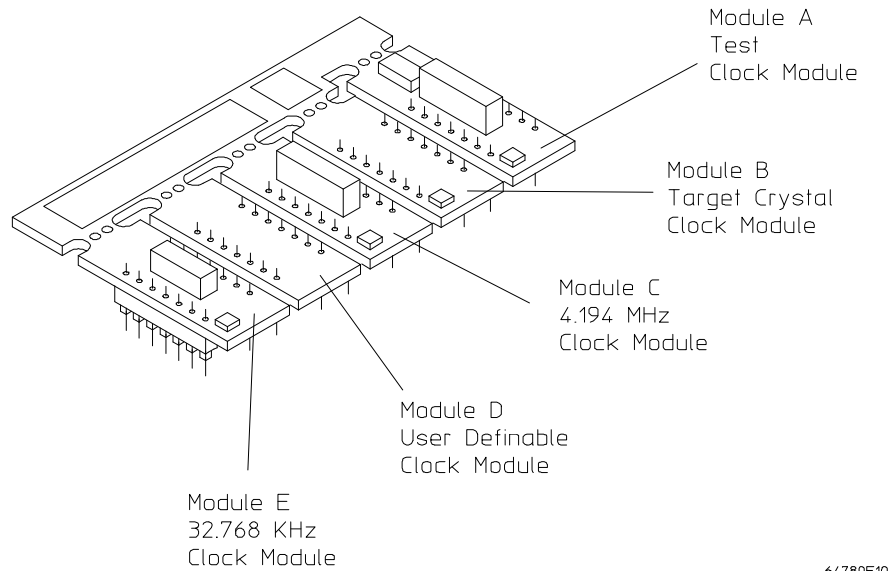
Probing

When making measurements, remember that signals need to be probed at the right place for the measurement being made. The emulator specifications are referenced to the target socket connector on the probe. This is where measurements should be made to verify compliance with the specifications. When probing setup and hold times to circuits in the target system, make the appropriate measurements at the circuits. This will keep connection accessories from impacting the true measurements. Always use ground leads to get the most accurate measurements possible.

Selecting a clock module

If you can, use the clock circuitry from your target system to clock the emulator. Before turning on the emulator, ensure you have the appropriate clock module installed in the emulator probe. The emulator probe is shipped from HP with Clock Module 64780-66509 installed. This configures the emulator for operation with a target system containing an oscillator. If a crystal circuit is used in your target system instead of an oscillator, remove Clock Module 64780-66509 from the emulation probe and install Target Crystal Clock Module B of the HP 64780-66507 in its place.

Clock Module Kit
64780-66507



Chapter 4: Connecting the Emulator to a Target System

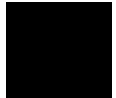
Selecting a clock module

Instructions for aligning and plugging in a clock module are given on page 27.

Once the correct clock module has been installed, skip ahead to "Running the emulator configured like the processor" (page 67). If you have problems getting the clock to operate correctly, return to this section and review the additional information below.

Clock module information

- If the target system uses an external oscillator
 - Use the Target Oscillator Clock Module (64780-66509) that was installed in the emulator probe at the factory.
 - MODCK0=1, driven by emulator.
 - MODCK1=0, driven by emulator.
 - You can run PV to verify operation of the emulator connected to a target system using an external oscillator. See page 111 for details.
- If the target system uses an external crystal
 - Plug in Module B, Target Crystal Clock Module.
 - MODCK0=value driven by target, or '1' if driven by emulator default.
 - MODCK1=0, driven by emulator.
 - Do not run PV. PV will fail with Module B installed.
- If the target system runs with 4.194-MHz clock rate
 - Plug in Module C, 4.194 MHz Clock Module.
 - MODCK0=0, driven by emulator.
 - MODCK1=1, driven by emulator.
 - You can run PV to verify operation of the emulator connected to a target system running at 4.194 MHz. See page 111 for details.
- If the target system runs with 32.768-MHz clock rate
 - Plug in Module E, 32.768 kHz Clock Module.
 - MODCK0=1, driven by emulator.
 - MODCK1=1, driven by emulator.
 - You can run PV to verify operation of the emulator connected to a target system running at 32.768 MHz. See page 111 for details.
- If you wish to run emulator PV to test all modes of operation
 - Plug in Module A, Test Clock Module.
 - Do not use Module A when running any emulation session. Module A is for running PV only. See page 111 for details.



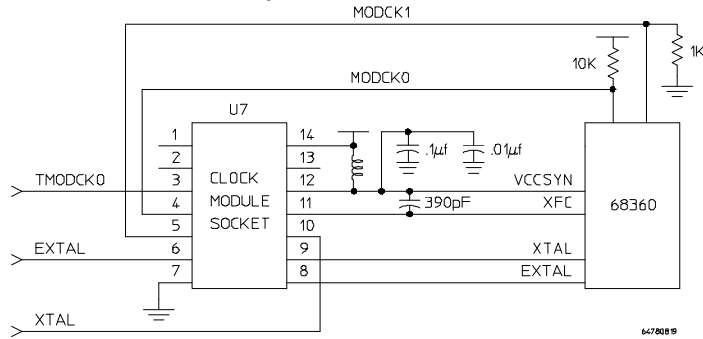
Chapter 4:Connecting the Emulator to a Target System

Selecting a clock module

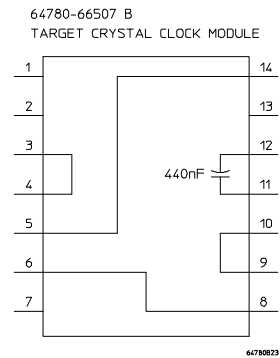
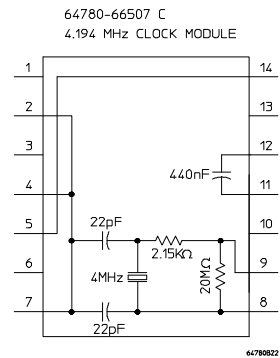
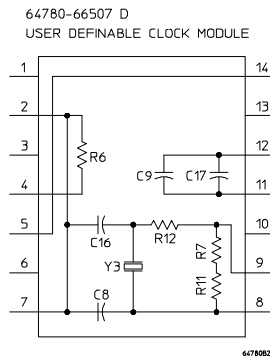
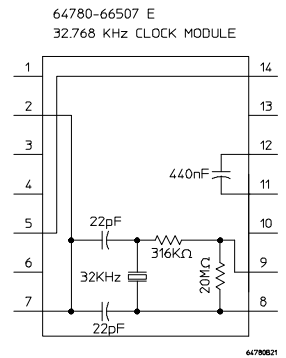
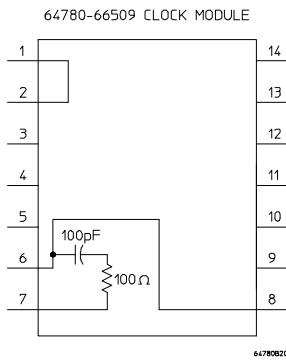
- If you need to design your own clock module
 - Design your clock module on Module D, User Definable Clock Module, and plug it into the emulator probe.
 - See the section titled, "If a different clock frequency is required," on page 65.
 - MODCK0=0, driven by emulator if R6 is loaded with a 0-ohm resistor.
 - MODCK0=1, driven by emulator if R6 is not loaded.
 - MODCK1=1, driven by emulator.
 - Do not run PV with your user-definable clock module installed. PV will fail. See page 111 for details.

Clock module circuits

Emulation Probe circuitry associated with the installed clock module:



Clock module circuits:



If you have problems working with a target oscillator

Typically an oscillator on the target system can be made to work with the emulator by adjusting the signal quality with a termination. The Target Oscillator Clock Module 64780-66509 connects the EXTAL line from the target system to the processor. It also provides an RC termination on this signal. If no termination or a different termination is required, a circuit can be constructed on a 14-pin header. Use the schematic shown for the 64780-66509 as a guide.

If the EXTAL signal is not used on the target system, an internal oscillator can be used as an alternative. The clock module socket is arranged so that a standard 14-pin DIP TTL oscillator can be used. Target system power is provided on pin 14, and ground on pin 7. The EXTAL connection to the processor is on pin 8. Pin 1 is pulled low so that oscillators with output-enable functions can be used.

If you have problems working with a target crystal

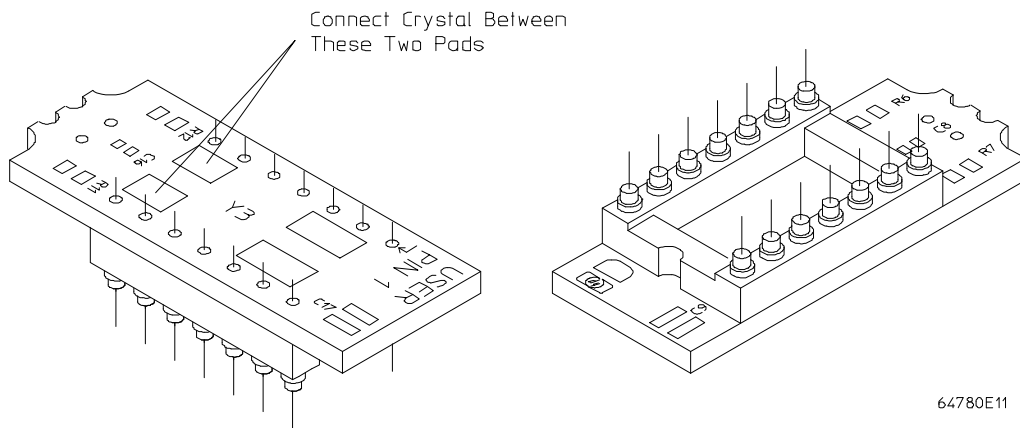
Using a crystal circuit on the target system with an emulator may be a problem, especially when an accessory such as a flexible cable is used to connect the emulator to the target system. Target Crystal Clock Module B of HP 64780-66507 simply connects the XTAL and EXTAL signals to the processor and provides a typical value for the XFC bypass capacitance. If the PLL has problems maintaining a lock, try selecting a different value for the XFC capacitance. Then check to see if there is too much noise on the clock.

If the circuit will not oscillate or there is too much noise on the clock, use an internal crystal circuit. If you are using either of the recommended standard crystal frequencies, place the appropriate clock module in the clock module socket. Use Module E of the HP 64780-66507 for 32.768 KHz operation, or use Module C for 4.194 MHz operation. Both these modules provide the correct crystal circuit for use with the 68360, and a typical value for the XFC bypass capacitance.

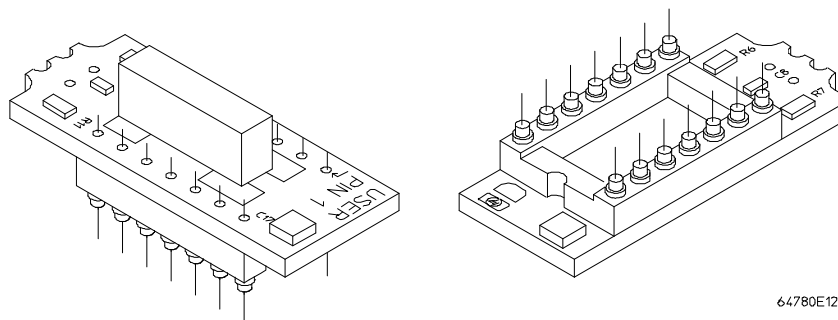
If a different clock frequency is required

If a different frequency is required, User Definable Clock Module D of the HP 64780-66507 provides a platform to customize a clock circuit similar to the standard frequency clock modules. Choose appropriate values for the given topology. Use a parallel resonant crystal. If the prescaler will be used, load R6 with a 0-ohm resistor. Otherwise, leave R6 unloaded.

If you do not wish to use Clock Module D, any 14-pin header can be used as a platform to develop your custom crystal circuit. Make sure all connections shown on the User Definable Clock Module are made on your header.



Example Configuration of User Definable Clock Module



Chapter 4: Connecting the Emulator to a Target System

Selecting a clock module

If only the XFC bypass capacitance needs to be adjusted, construct a circuit on a 14-pin header. Use the schematic for Module B of the HP 64780-66507 as a guide. Make all connections shown, but choose a different value of capacitance.

The MODCK1-0 logic levels on pins 5 and 4 of the clock module socket define the clock operating mode of the 68360 emulator. To define the desired clock operating mode for the user definable clock module, connect pins 5 and 4 appropriately.

Running the emulator configured like the processor

To determine whether the loading and timing changes of the emulator impact your target system, configure the emulator to work like the target system processor. This procedure uses no emulation monitor, or emulation memory, and does not attempt to control any of the processor signals. For this test, the only emulation feature that is operating is the emulation-bus analyzer. The emulation-bus analyzer is passive, like a preprocessor.

This procedure uses the built-in terminal interface. Once your target system is operating with the emulator, you should begin using one of the graphical user interfaces.

If your target system can run a program without the emulator, follow this procedure. Otherwise, go to the next section.

- 1 Turn on power to the emulator.
- 2 Check the emulator prompt by pressing <RETURN>.

The prompt should be "p>". A prompt of "->" indicates a software compatibility problem. Correct problems indicated in error messages (seen in the emulator error log) or check the software version using the **ver** command for more information.

- 3 Determine correct settings for reset modes

The **cf db** configuration must be set to match the target initialization of the DB16 signal. The **cf glbcs** configuration must be set to match the target initialization of the CONFIG2-0 lines.

- 4 Configure the emulator by entering the following commands:

```
cf mon=bg  
cf berr=en  
cf xdma=en  
cf ti=en  
cf db=<32,16>, as appropriate for your target system  
cf glbcs=<32,16,8>, as appropriate for your target system
```

Chapter 4:Connecting the Emulator to a Target System

Selecting a clock module

- 5 Set up the emulation-bus analyzer to capture all MC68360 system cycles.

```
tck -u
tg any
tsto any
tp c
t
```

- 6 Execute your program with the command: **r rst**.

This tells the emulator to deassert reset so that the emulator does not interfere with the target system powerup reset.

- 7 Power on the target system.

- 8 Verify correct operation.

The target system should run just as if the processor was being used. If your target system performs any I/O, check it to see if your system performs it correctly. If your target system appears to work correctly, allow it to reach its stable operating temperature and test it again.

If the target system appears to work correctly, go to the paragraph titled, "Installing the Monitor", later in this chapter. Otherwise, verify operation of the target system as described next.

To verify operation of the target system

Get the prompt by pressing <RETURN>, or use the command `es` to get more information about the emulator status. If the system is working the prompt will normally be "U>", but there are a few situations where the system will be working properly and the prompt will be something different. If the bus is taken away from the MC68360 often or for long periods of time, the emulator can display the "g>" prompt or alternate between "g>" and "U>". If the MC68360 is running code in its internal memory for long periods of time, the emulator may display the "b>" prompt. The emulator may alternate between any of these prompts during normal operation.

All other prompts usually indicate a problem. Even the "g>" or "b>" prompts can indicate a problem. To understand problems indicated by the prompts, you need to know whether bus cycles were executed, how many bus cycles were executed, what type of bus cycles were executed, and whether the target system is still executing bus cycles. You can tell the difference between these conditions by checking the trace status to see if any bus cycles were captured. The analyzer may have states in its internal pipeline that will not be reported until the trace is halted.

```
b>th;ts
  Emulation trace halted
  --- Emulation Trace Status ---
  User trace halted           <- trace status
  Arm ignored
  Trigger not in memory
  Arm to trigger ?
  States 0 (0) ?..?         <- number of states captured
  Sequence term 2
  Occurrence left 1
b>
```

If the trace status indicates that the trace was halted, look at the number of states collected to decide how many bus cycles were executed. If the status indicates that the user trace was completed, a large number of states were executed. If this is the case, it may help to take another trace to see if bus cycles are still being executed. Again, view the trace status to determine if bus cycles are executing.

If the "p>" prompt remains after target powerup, check:

- mechanical installation of the probe.
- blown fuses.
- target system power supply voltage.

Chapter 4: Connecting the Emulator to a Target System

Selecting a clock module

If the prompt is "c>", mechanical installation may be causing the problem, but the most likely cause is a problem with the clock. If using a clock oscillator check EXTAL clock quality. Look at the voltage levels, edges, and duty cycle. If the clock looks suspect, compare it to the target system clock without the emulator. If there is a significant difference, you may need to adjust the target system terminations to account for the emulator's termination. If using a crystal circuit is it oscillating? If not using an internal crystal circuit may be required. Return to the "Selecting a Clock Module" section for information on what to do about clock problems.

If the input clock is not the problem check the CLK01 signal. Is it operating correctly? When using the emulator in oscillator mode, the CLK01 signal will not start until after it has been enabled by the monitor following the release of reset. If the clock has poor quality changing to **cf clk01=buf** may improve the signal.

If the prompt is "r>", either the target system never released reset, or the target system reset itself because of some program error condition. If no bus cycles were captured by the analyzer, the target system never released reset. You need to find out which conditions must occur to release reset, and then investigate these conditions to determine why reset isn't being released.

An example of a failure to release reset might be a multichip system where the master chip starts the slave chips after verifying that they are installed in the system by reading checksums from their ROMs. If a checksum is not read correctly, reset to the associated slave chip is not released. If the emulator interfered with the reading of the checksum, then reset would not be released.

One thing to keep in mind is that the emulator does not trace alternate bus master cycles while it is reset.

If any bus cycles were executed before the reset occurred, then something caused the target system to reassert the reset condition. Usually, this is caused by some type of fault which is detected by the system. This may result from access to a certain address range or because of a watchdog timeout. Refer to "Interpreting the Trace List", later in this chapter, to help you understand what caused the reset.

The default programming of the 68360 chip will cause it to periodically reset the processor unless the watchdog address is appropriately accessed.

If the prompt is "b>", and there are no cycles in the trace list, the processor never attempted to run any bus cycles even if other indications show it should have. This could indicate problems with power, clock, or signal transitions, especially the reset signal. Check power supply voltage levels. Make sure the power up is monotonic. Check clock quality. Check that the reset signal meets its required

Chapter 4: Connecting the Emulator to a Target System

Selecting a clock module

assertion time after power up and clock stabilization. Check signal quality on the reset signal, especially the signal transitions.

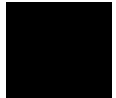
If some cycles were captured in the trace list, but no cycles are occurring now, check for setup and hold violations on the processor signals. The "b>" prompt is not a normal condition for the processor when you find no functional reason. It usually indicates that the processor has malfunctioned.

If bus cycles are occurring, then the "b>" prompt only indicates that bus cycles are infrequent. A type of system that would exhibit this behavior would be an interrupt-driven system. When done processing an interrupt, the system could execute a STOP instruction to wait for the next interrupt. If the interrupts were infrequent a "b>" prompt would be displayed.

If the prompt is "w>", the emulator has stopped in the middle of a bus cycle. Get the emulation status; it will tell you the address and the type of cycle.

```
w>es
M68360--CPU in wait state; 00badad00@sd long read
w>
```

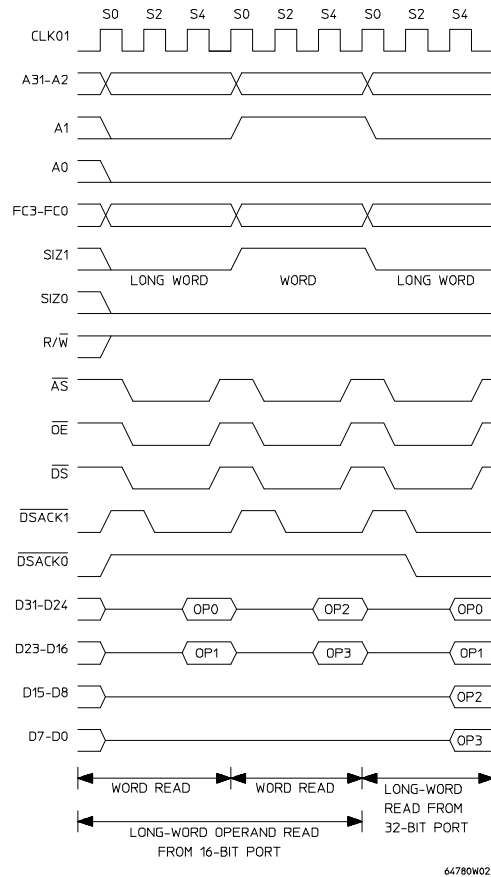
To troubleshoot the above problem, you need to know if the target system provides bus termination for the address. If the answer is no, then the target program must have run incorrectly. The emulation-bus analyzer will have to be used to investigate further. If the answer is yes, then the reason the bus cycle did not complete must be determined, as described next.



Chapter 4: Connecting the Emulator to a Target System

Selecting a clock module

There are many reasons why bus cycle interaction between a target system and an emulator may fail. Usually the cause is that the target system missed the start-of-cycle indication from the emulator, or that the emulator missed the cycle-termination indication from the target system. For a better idea of what is going on, refer to the MC68360 bus cycle diagram, below:



A basic MC68360 bus cycle starts with the transfer start signal, \overline{AS} . The \overline{AS} signal stays low throughout the cycle, and is deasserted between cycles. The end of the cycle occurs when the processor samples a transfer acknowledge $DSACK0$ and/or $DSACK1$ and/or a transfer error acknowledge $BERR$ on the falling edge of the clock. The typical system may sample \overline{AS} on the rising clock edge and then generate a $DSACK$ signal an integral number of clocks later. Wait states are added to a cycle by delaying when the $DSACK$ is asserted.

Chapter 4: Connecting the Emulator to a Target System

Selecting a clock module

If there is no functional reason why the bus cycle would not complete, check the timing relationships between the various bus cycle control signals. Probably the first measurement you will want to make is to see if the assertion of $\overline{\text{DSACK}}$ is within the emulator specification.

If there are no cycles in the trace list, then the processor stopped during the first bus cycle. In this case, it is pretty easy to set up the trace using $\overline{\text{AS}}$ as the trigger because the cycle of interest is the first cycle. If there are only a few cycles in the trace list, the same technique can be used if the oscilloscope or timing analyzer has enough depth.

If there are many cycles in the trace list before the processor stalled, use a different method of triggering. There are a number of different approaches that can be used. The most direct method is to trigger on a condition of $\overline{\text{AS}}$ low for a period of time greater than the length of a memory cycle. Another method is to determine if the system always stops at the same address. This address can then be used as the trigger. One drawback to this method is that you may have to probe a large number of signals to get a unique address.

A better way would be to use the emulation-bus analyzer to generate a trigger. Unfortunately, because the cycle never finishes, the emulation-bus analyzer will not capture this address, so something preceding this event must be used as the trigger. Examine the trace list to find a unique event to use as the trigger. Once you have specified the trigger, you need to configure the emulator to drive the trigger out. The real trick to cross-triggering is to correlate the trigger event to the captured data. In this type of measurement, the correlation is easy because the signals of interest stop transitioning shortly after the trigger occurs.

```
tg addr=00badad00
tp c
tgout trig2
bnct -r trig2
t
```

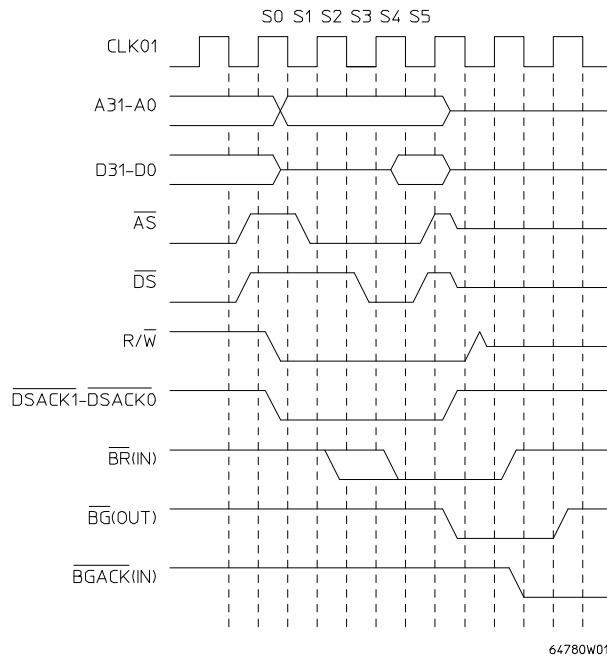
Once you have a trace of the offending cycle, verify that $\overline{\text{DSACK}}$ is present for the duration required to terminate a cycle. If $\overline{\text{DSACK}}$ is not asserted at all, it could be an indication that the target system missed the $\overline{\text{AS}}$. Set up your oscilloscope or logic analyzer to make a measurement on your cycle start circuitry to determine why the target system did not respond to the cycle.

If the prompt is "g>" and there are no cycles in the trace list, the target system never gave the bus to the processor. Check the bus arbitration signals for proper functionality and timing. Refer to the bus arbitration diagram below. Remember

Chapter 4: Connecting the Emulator to a Target System

Selecting a clock module

that the analyzer does not trace alternate bus master cycles while the emulator is reset, but it does once the emulator is running.



When trying to determine why the bus is not being granted to the processor, you will need to determine why either the bus arbitration circuitry or an alternate bus master is not behaving correctly. The processor is the bus master; therefore, it grants the bus with BG in response to a target system bus request BR. The processor does not grant the bus until it is idle so bus ownership changes as soon as the BG signal is asserted. The alternate master asserts BGACK to claim the bus before deasserting BR.

If the bus is granted by the processor, but is not being returned check the bus arbitration signals BR, BG, and BGACK. If the bus is never released, the alternate bus master may be stuck in the middle of a cycle. Check the cycle strobes AS, DSACK, and BERR. These strobes do not have to be asserted during alternate master accesses, but if AS is shown to the processor it will generate memory control signals and may even provide DSACK for the alternate master bus cycle.

Chapter 4: Connecting the Emulator to a Target System

Selecting a clock module

If some cycles are shown in the trace list, but no cycles are occurring now, the processor executed some cycles before getting stuck in a DMA cycle. Examine the bus arbitration signals and cycle strobes around where the target system gets stuck. Use the same techniques to set up a trigger as were described for measuring a bus cycle that stops before it is complete.

If there are bus cycles occurring, then the "g>" prompt indicates that a high percentage of the bus activity is by alternate bus masters.

Interpreting the trace list

There are some cases where a problem caused by an errant bus cycle does not show up until many cycles later. The emulation-bus analyzer must be used to track back thru the sequence of events to the faulty bus cycle. Data problems will often behave like this, but there may be other causes.

If the "h>" prompt is shown, indicating a double bus fault, and if there are only two states in the tracelist, this indicates a problem with the fetching of the initial vectors.

```
h>t1
  Line  addr,H  68360 Mnemonic
-----
    0   00000000  $00000000  supr data long read (ds32)
    1   00000004  $000BADAD  supr data long read (ds32)
    2
h>
```

The first two cycles in the trace list are the initial stack pointer and the initial program counter. The initial program counter must be even or the processor will immediately double bus fault. You should verify that the data captured by the analyzer is what is expected.

If the data for the vectors is wrong, a trace should be set up to check for access problems during the fetch of the initial vectors. If the data is completely incorrect, suspect an address or strobe timing problem. If only a few bits are wrong or if the data in the trace is correct, suspect a data timing problem.

If the tracelist contains many cycles, start from the end and work backwards to understand what caused the double bus fault. If the trace was completed before the processor stopped, modify the trace specification to "trigger on nothing" so that the last bus cycles that were run can be captured.

Chapter 4: Connecting the Emulator to a Target System

Selecting a clock module

Wait until the emulator status shows a double bus fault, and then halt the trace.

tg never

reset the target system

es

th

tl -20

```
h>tl
  Line  addr,H      68360 Mnemonic
-----
-16  00000008  $4AFC0000  supr prog long read (ds32)  <- illegal inst
-15  0000000c  $000BADAD  supr prog long read (ds32)
-14  00000010  $000BADAD  supr prog long read (ds32)
-13  00000014  $00000000  supr prog long read (ds32)
-12  00000018  $00000000  supr prog long read (ds32)
-11  000000ee  $----0010  supr data word write (ds32)  <- illegal inst stack
-10  000000ea  $----0000  supr data word write (ds32)
-9   000000ec  $0008----  supr data word write (ds32)
-8   00000010  $000BADAD  supr data long read (ds32)   <- odd vector
-7   000000e8  $2700----  supr data word write (ds32)
-6   000000e4  $000BADAC  supr data long write (ds32)
-5   000000e2  $----200C  supr data word write (ds32)  <- address error stack
-4   000000de  $----0000  supr data word write (ds32)
-3   000000e0  $0008----  supr data word write (ds32)
-2   0000000c  $000BADAD  supr data long read (ds32)   <- odd vector
-1   000000dc  $2700----  supr data word write (ds32)
h>
```

A double bus fault occurs when the processor encounters an exception that prevents processing of a previous exception. An example of a double bus fault is shown above. This original exception occurred because the target system tried to execute an illegal instruction. During processing of the illegal instruction exception, the processor encountered another exception.

This exception was an address error caused because the vector supplied for the illegal instruction handler was odd. The double bus fault occurred when the vector supplied for the address error handler was also odd. Other things that can cause a double bus fault are bus errors that occur during exception stacking or vector fetch. Keep in mind that bus errors can happen because the the target system asserts **BERR**.

Once you have found the cause of the double bus fault, you need to determine the root cause of the problem. In some cases, the exception is a normal part of execution, but the subsequent faults indicate a problem. In some cases, the first fault indicates a problem directly, such as when the program has already malfunctioned, and the fault is caused by an unintentional accesses.

At this point, the problem is to find the faulty bus cycle that eventually caused a recognizable problem. The same situation exists if the processor stops execution at an address that should not have been executed, or if a program is simply running code incorrectly.

There are really only two ways to go about determining what is wrong. One is to try to trace back the terminal error condition to a faulty bus cycle. The other is to start at the beginning of the trace, or at some other known point, and work forward, comparing the trace to the execution that was expected while looking for the point where execution first becomes unexpected. A listing of the program or a tracelist captured by a preprocessor could be used for this comparison.

When you find a suspected bus cycle, set up a trigger on it so that you can make a timing measurement on the cycle. When looking for clues or shortcuts to the problem, keep in mind that a system is usually made up of many different types of memory devices: ROM, EEPROM, SRAM, DRAM, and peripheral ports. Each of these devices may have different timing characteristics. Also, keep in mind that unique characteristics of a bus cycle, such as size, and number of wait states, may result in unique timing requirements.

Fixing timing problems

When a timing problem is identified, you must decide how to fix it. First, examine the signal to make sure that signal quality is not affecting the timing. Look for AC or DC drive problems or reflections caused by transmission line problems. If you can find no other solution to the problem, you may have to lower the clock speed.

Buffering the AS, DS, and RW signals by configuring "cf asdsrw=buf" may improve signal quality and even timing on these signals. If there are problems associated with these signals this should be tried. The same goes for problems related to the clock. Try configuring "cf clk01=buf" if there are timing problems associated with the clock.

If the timing problem only occurs during data accesses, another possible solution is to add wait states to the memory access. This assumes that the problem is with the amount of time it takes to access the memories in the system and is not a problem with a setup time to a synchronous circuit. A good indicator of this type of problem is when the data setup time to the emulator is being missed.

Selecting a clock module

Another possible solution to data access problems is to use faster memories while using the emulator.

Installing the emulator in a target system without known good software

If you do not have a program in ROM on your target system that you can run to electrically test the emulator, you will need to create a test environment. The initial step of this is to use the emulator's memory to install a simple program that will run from reset. To do this, proceed as follows:

- 1 Turn on emulator power.
- 2 Check the prompt by pressing <RETURN>. The prompt should be "p>". A "->" prompt indicates a software compatibility problem. Correct problems indicated in error messages or check the version "ver" for more information.
- 3 Configure the emulator by entering the following commands:

```
cf mon=bg  
cf berr=en  
cf xdma=en  
cf ti=en  
cf db=<32,16>, as appropriate for your target system  
cf glbcs=<32,16,8>, as appropriate for your target system
```

- 4 Map memory with the following command:

```
map 0..0fff eram dstgt
```

This maps a block of emulation memory starting at address 0 so that the reset vectors will be accessed from this block. The block is configured to be interlocked to the target system strobes because all systems must have some memory that responds at address 0 to operate.

Chapter 4: Connecting the Emulator to a Target System
Selecting a clock module

5 Load a program with the following commands:

```
mo -ax -dl  
m 0=0f00,100  
mo -dw  
m 100=60fe
```

This sets up the reset vectors ISP=0f00 and IPC=100. It then loads the most simple program imaginable: jump to self.

6 Setup a trace to capture all MC68360 cycles, as follows:

```
tck -u  
tg any  
tsto any  
tp c  
t
```

7 Execute **r rst**.

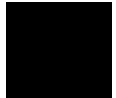
This tells the emulator to deassert reset so that the emulator does not interfere with the target system powerup reset.

8 Power on the target system.

9 Verify correct operation.

The prompt should be "U". If you examine the trace, the program should be looping at address 100.

If the target system appears to work properly, go ahead to the paragraph titled "Installing a Monitor". If you suspect problems, return to "Verifying System Operation" in the previous paragraphs. Keep in mind that the emulator must receive strobes from the target system for emulation memory accesses to complete. Also, because these cycles are from internal emulation memory, the data on the target system will not be the same as what the processor sees.



Installing Emulator Features

Once the emulator is transparently running in the target system, it is time to start adding other emulator features. Dividing the installation of features into two tasks is the easiest way to debug problems. The monitor is the facility that provides the majority of the emulator's features, but some features like the reset circuitry do not require the monitor. The first feature to be installed does not depend on the monitor.

Evaluating the reset facilities

Now is a good time to use the emulator to find out how the emulator reset interacts with your target system. The first question to answer is whether or not the emulator reset command is adequate to reset your target system. Perform the following steps:

- 1 Run your target program by following the procedure in the previous steps.
- 2 Reset the emulation processor and run your program using the emulator commands:

r rst

Note that the **r rst** command pulses the processor reset line.

- 3 Verify correct operation.

If your program does not run correctly after performing the above procedure, your target system has other circuitry besides the processor that must be reset. The emulator only resets the emulation processor when it responds to a reset command. Other circuitry on your target system does not get reset. The following sequence determines if an additional reset circuit is required.

- 1 Run your target program following the procedure in the previous steps.
- 2 Reset the emulation processor and run your target program using these emulator commands:

rst

Reset the target system using whatever facility is available.

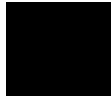
r rst

- 3 Verify correct operation of the target system.

An example of a target system that requires an additional reset circuit is one that normally has RAM starting at address 0, but for the first two bus cycles after reset, maps ROM to this area instead to provide the initial vectors. If this remapping does not occur, the system will attempt to fetch these vectors out of RAM, which will fail.

One additional thing to keep in mind is that your target system can initiate a reset without the knowledge of the emulator. A reset that is initiated by your target system will reset the emulator. If the emulator was running your target program at the time of the reset, then when your system releases reset, the emulator will run as if an **r rst** command had been issued. If the emulator was executing in the monitor at the time of the reset, it will return to the monitor when the reset is released.

Another resetting method that may provide more convenience than the first method requires use of the monitor. This method works well for target systems such as those in the example above. This method resets the emulator into the monitor instead of running the target system program immediately. Once in the monitor, the initial stack pointer and initial PC can be loaded into the appropriate registers, and then a run of the target program can be initiated. This method will be illustrated in the next section.



Installing the background monitor

The emulator allows you to choose between use of a background and foreground monitor.

The background monitor is normally used unless interrupts need to be serviced while in the monitor. Other conditions associated with the 68360 communication facilities may also require the use of the foreground monitor.

The background monitor does not show cycles to your target system. It uses the built in BDM mode of the processor. Therefore, the background monitor is transparent to your target system. Even though the background monitor does not show any cycles to the target system, the initial vector fetch cycles are shown to the target system and interlocked with the target system strobes. Memory access cycles caused by the background monitor are called background cycles. All other cycles are called foreground cycles.

Resetting into the background monitor

There are three ways to initially get into the background monitor. The first of these ways is to enter the monitor from reset. Perform the following command sequence to enter the monitor:

- 1 Reset the emulator and the target system if necessary using any reset procedure you determined to work adequately.
- 2 Configure the emulator by entering the following commands:

```
cf mon=bg  
cf berr=en  
cf xdma=en  
cf ti=en  
cf db=<32,16>, as appropriate for your target system  
cf glbcs=<32,16,8>, as appropriate for your target system
```


Chapter 4: Connecting the Emulator to a Target System

Installing Emulator Features

- 3 Set up a trace to capture all MC68360 cycles, including background monitor cycles, by entering the following commands:

```
tck -ub
tsto any
tg any
t
```

- 4 Execute the command: **rst -m**. This tells the emulator to release reset, but enter the monitor.
- 5 Verify that the emulator is in the monitor.

The prompt should be "M>", indicating that operation is in the monitor. There is not much that can go wrong up to this point because everything required has been previously verified.

If you see the following error messages, something went wrong during the initial vector fetches from the target system. Check these cycles for problems.

```
!STATUS 170! Emulator terminated hung bus cycle: 000000000@sd long read
!STATUS 170! Emulator terminated hung bus cycle: 000000004@sd long read
```

If you get the "?>" prompt or something other than the "M>" prompt, this indicates something went wrong with monitor operation. This may indicate problems with the clock or reset signals. Because the emulator provides all control signals for the background monitor, typically problems are with signals that can prevent the processor from running bus cycles.

Note that the emulator performs a reset by executing an external hard reset (RESETH). This causes the controller to assert the following reset lines: INTRST, INTSYSRST, CLKRST, and EXTSYSRST.

Testing memory accesses with the background monitor

Once the background monitor looks like it is running properly, you can use it to test accesses to different ranges of memory in your target system. This may be an easier way to diagnose problems than by running a program that accesses each memory range. It is also easy to check accesses of different sizes using the monitor.

mo -al -dl
m 0badad=12345678

When accesses to your target memory do not execute exactly right, the monitor attempts to diagnose these problems and resolve them so the monitor program does not malfunction. However, the monitor does not read back write cycles to check the integrity of the data written. When testing memory accesses, the data should be checked to make sure that it is correct.

```
M>m 0badad
  0000badad  ffd00ff
```

If your target memory does not respond to a bus cycle, the monitor will force termination of the cycle and report this error message:

```
!STATUS 170! Emulator terminated hung bus cycle: 0000badad@sd word read
!ERROR 700! Target memory access failed
```

Or, if the target system responds with a bus error for this memory access, the monitor will report that information:

```
!ERROR 170! Target bus error: 0000badad@sd
!ERROR 700! Target memory access failed
```

Running a program from the background monitor

Once you are satisfied that the monitor is working and that memory in your target system can be accessed correctly, you can use the monitor to run your target program. Proceed as follows:

- 1 Reset into the monitor.
- 2 Load a program, if necessary.
- 3 Initialize the initial stack pointer and initial program counter.

This may not be necessary because the emulator will attempt to read the initial stack pointer and initial program counter from address 0 and 4 and initialize these registers. Alternatively they can be set using the following commands.

```
reg isp=<initial ISP>  
reg pc=<target program starting address>
```

If these values are not known, they can be found by taking a trace of the program running from reset, as was done in the previous sections.

- 1 Take a trace of the program running, using the following commands:

```
tg addr=<target program starting address>  
t
```

- 2 Run the program with the command:

```
r
```

- 3 Verify correct operation of the program.

From this point on, most of the problems will be discussed from a functional point of view instead of a parametric point of view. If any of the functional problems discussed below identify a problem that looks parametric, use the debugging techniques of the previous procedures to isolate the problem.

Breaking into the background monitor

The next thing to try with the background monitor is to see if you can break into it from your target program. The emulator uses the BKPT signal to break into the monitor. No stacking is required to enter the monitor. Program execution will stop abruptly once the BKPT signal takes affect. The background monitor may access foreground memory during its operation.

While the emulator is in the background monitor, no target interrupts are serviced. The interrupt signals from the target system are ignored while in the background monitor. The emulator will not respond to these signals in any way while in the monitor. If the signals are still present when the monitor is exited, they will be serviced according to normal interrupt priorities.

Exiting the background monitor

If the procedures described in the preceding paragraphs gave satisfactory results, you should be able to resume execution of the target program.

r

If the target system and emulator do not work correctly after exiting the background monitor, the problem may be because your target system is real-time sensitive. If interrupts that needed to be serviced to keep the target system running were delayed by the monitor, things such as data overrun could cause problems in the target system. If you suspect such a problem, use the foreground monitor.

Software breakpoint entry into the background monitor

The background monitor can also be entered via a software breakpoint. The emulator will respond to any BGND instruction in the code regardless of whether breakpoints are enabled or if the BGND instruction was inserted by the emulator or not. Breakpoints are enabled by the following command.

bc -e bp

Set breakpoints only on the initial word of an instruction; otherwise, they will not be executed, and might alter an instruction, unintentionally. The emulator places a breakpoint by modifying memory to insert a breakpoint instruction at the address specified. If the memory at the address specified is ROM or cannot be modified for some other reason, the breakpoint cannot be set.

b **bp <instruction address>**

If you suspect a problem occurred during the setting of the breakpoint, you can use the analyzer to watch the breakpoint being set. The easiest way to do this is to store-qualify your trace on the address where you are setting the breakpoint. The trace list will only contain a cycle or two, but you can see what happened when the emulator accessed this address.

tg any **tsto addr=<instruction address>** **b** **bp <instruction address>**

```
Line  addr,H  68360 Mnemonic
-----
0  00000008  $4e71----  supr data word read (ds32)
1  00000008  $484F----  supr data word write (ds32)  <- breakpoint write
2  00000008  $484F----  supr data word read (ds32)   <- verify
3
```

Chapter 4: Connecting the Emulator to a Target System

Installing Emulator Features

When a BGND instruction is executed, the processor immediately transitions to the background monitor.

Stepping with the background monitor

The last feature of the background monitor which needs to be evaluated is the single-stepping facility. The emulator uses the BKPT signal to reenter the monitor when the first instruction outside the monitor is executed.

b
tsto any
tg any
t
s

```
000000008@s - BRA.B $00000008  
PC = 000000008@s
```

A typical trace of a single step is shown below:

Line	addr,H	68360 Mnemonic		
0	00000008	\$60FE0000	supr prog long read (ds32)	<- stepped inst
1	0000000c	\$000BADAD	supr prog long read (ds32)	
2	00000008	\$60FE0000	supr prog long read (ds32)	

One way to watch what the emulator is doing during a step, is to set up the analyzer to trace only foreground cycles and to store everything. Use the following commands:

tck -u
tsto any
tg any
t
s

When stepping over instructions that cause the processor to take exceptions, the trace list can look very different. Most exceptions create their stack frame before entering the monitor.

Installing the foreground monitor

The foreground monitor supports interrupts and customization, but imposes on your target system more than the background monitor. The foreground monitor occupies a 4-Kbyte block in your target memory space. Emulation memory must be mapped for this 4-Kbyte block. The target system cannot use this address range for anything. The cycles strobes AS and DS are shown to the target system during foreground monitor cycles. The monitor needs to be placed in an address range where it will not interfere with target system operation.

If the monitor is placed in an address range where the target system responds with a DSACK, interlock the monitor to the target strobes. The target system must not respond with BERR for this address range. If the monitor is placed in an address range where the target system does not respond with any strobes, do not interlock the monitor. If in doubt, interlock the foreground monitor to the target system. It will be obvious if this is the wrong thing to do because the monitor will stop operating immediately.

If there is not a suitable address range in which to put the monitor, the system protection schemes may need to be modified to create a place for the monitor. This may be as simple as modifying the 68360 SIM programming, or it may require modifying a hardware protection scheme to allow placement of the monitor.

The foreground monitor, in contrast to the background monitor, allows servicing of interrupts. When the foreground monitor is not busy performing some action, interrupts are allowed. The interrupt routine must return control to the monitor within a reasonable period of time or the monitor may timeout if it attempts to do something. The level of interrupt that can be recognized by the monitor can be controlled through a configuration question:

cf monint=0

The foreground monitor is entered and exited through the background monitor, therefore there is a short periods of time when interrupts are not serviced.

Resetting into the foreground monitor

If you have successfully established operation of the background monitor, or if you have decided that you cannot use the background monitor because you require interrupt servicing, then it is time to evaluate the foreground monitor. The first thing to do is to enter the foreground monitor from reset. Perform the following command sequence to enter the monitor.

- 1 Reset the emulator, and the target system if necessary, using whatever reset procedure you determined to work.
- 2 Configure the emulator, as follows:

```
cf mon=fg  
cf monaddr=addr as appropriate for the target system  
map addr..addr+0fff eram <dstgt,ds32> as appropriate for the address  
mapping  
cf monintr=0  
cf berr=en  
cf xdma=en  
cf ti=en  
cf db=<32,16>, as appropriate for your target system  
cf glbcs=<32,16,8>, as appropriate for your target system
```

- 3 Set up a trace to capture all MC68360 cycles. Background cycles do not need to be traced to see foreground monitor operation.

```
tg any  
tsto any  
tck -u  
t
```

- 4 Execute the command: **rst -m**

This tells the emulator to release reset, but enter the monitor.

- 5 Verify that the emulator is in the monitor.

The prompt should be "M>", indicating correct operation in the monitor. There is not much that can go wrong up to this point since everything required has been previously verified.

Chapter 4: Connecting the Emulator to a Target System

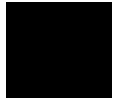
Installing Emulator Features

If you get the following error messages, a failure occurred during the initial vector fetches from the target system. Check these cycles for problems.

```
!STATUS 170! Emulator terminated hung bus cycle: 000000000@sd long read
!STATUS 170! Emulator terminated hung bus cycle: 000000004@sd long read
```

If you get a "w>" prompt for a monitor address, you may have incorrectly interlocked the monitor to the target system. If the monitor was correctly interlocked, check to see if there is a timing problem with the target terminations for the monitor address range.

If you get the "b>" prompt or something other than the "M>" prompt, suspect a failure in monitor operation. These prompts may indicate problems with the clock or reset signals. If the monitor is interlocked, it may also indicate that the target system responded with a bus error for a monitor access.



Dealing with keep-alive circuitry by using the custom foreground monitor

The foreground monitor will periodically service the internal 68360 watchdog timer if it is enabled via the SIM registers, but you may have problems with other keep-alive circuitry located in the target system. Because the foreground monitor cycles are shown to the target system, bus cycle activity monitors should not be a problem. Also, because interrupts can be serviced within a reasonable period of time, any keep-alive circuits that depend on interrupts should not be a problem.

Keep-alive circuits that require a certain address to be accessed probably will fail when you are using the foreground monitor. The keep-alive problem will most likely show up immediately when using the foreground monitor. If the monitor is interlocked, it will be affected immediately if a keep-alive circuit causes a bus error. If a keep-alive circuit generates an interrupt or a reset, it should also be immediately obvious. If reset is only temporarily asserted, it may not be so obvious because the emulator will return to the monitor when it is released.

If you suspect a problem with a keep-alive circuit, try using the custom foreground monitor. This monitor can be customized to take the required actions to satisfy a keep-alive circuit. Look in the graphical interface manuals for information on using the custom foreground monitor. Retry your reset into the monitor with the customized foreground monitor.

If keep-alive circuits cannot be accommodated by using the available emulator features, you may need to disable them for emulation.

Testing memory access with the foreground monitor

Once the foreground monitor looks like it is running properly, you can use it to test accesses to different ranges of memory in your target system. This may be an easier way to diagnose problems than by running a program that accesses each memory range. It is also easy to check accesses of different sizes using the monitor.

mo -ax -dl
m 0badad=12345678

When accesses to your target memory are not performed exactly right, the monitor attempts to diagnose these problems and resolve them so the monitor program does not malfunction. However, the monitor does not read back write cycles to check the integrity of the data written. When testing memory accesses, check the data to make sure it is correct.

```
M>m 0badad
  0000badad ffd00ff
```

If your target memory does not respond to a bus cycle, the monitor will force termination of the cycle and report this error message.

```
!STATUS 170! Emulator terminated hung bus cycle: 0000badad@sd word read
!ERROR 700! Target memory access failed
```

Or, if the target system responds with a bus error for this memory access, the monitor will report that information.

```
!ERROR 170! Target bus error: 0000badad@sd
!ERROR 700! Target memory access failed
```

Running a program from the foreground monitor

Once you are satisfied that the monitor is working and that memory in your target system can be accessed correctly, you can use the monitor to run your target program. Use the following procedure:

- 1 Reset into the monitor.
- 2 Load a program, if necessary.
- 3 Initialize the initial stack pointer and initial program counter.

This may not be necessary because the emulator will attempt to read the initial stack pointer and initial program counter from address 0 and 4 and initialize these registers. Alternatively they can be set using the following commands.

```
reg isp=<initial ISP>  
reg pc=<starting address of target program>
```

If you do not know these values, you can find them by taking a trace of the program running from reset as done in the previous sections.

- 1 Take a trace of the program as it is running, using the following commands:

```
tg addr=<long aligned starting address of target program>  
t
```

The trigger address must be long aligned because the MC68360 may fetch instructions as long words from long-word boundaries.

- 2 Run the program with the command:

```
r
```

- 3 Verify correct operation of the program.

Breaking into the foreground monitor

The next thing to try with the foreground monitor is to see if you can break into it from your target program. The emulator uses the BKPT signal to break into the monitor. No stacking is required to enter the monitor. Program execution will stop abruptly one the BKPT signal takes affect. The background monitor automatically transfer control to the background monitor.

While the emulator is transitioning into the foreground monitor, interrupts are temporarily blocked. Once in the monitor the interrupt mask level is lowered to the greater of the "monint" configuration setting or the target program mask level.

Entry into the foreground monitor can be traced by using the following trigger specification.

```
tck -u
tp c
tg addr=<addr rangeof monitor>
t
b
```

Exiting the foreground monitor

If the tests of the preceding paragraphs operate correctly, you should be able to resume execution of the target program. You may want to take a trace of the monitor exit to verify that everything is working correctly. Use the run command:

```
r
```

Software breakpoint entry into the foreground monitor

Software breakpoints are handled the same as for the background monitor. Test them the using the same procedure as for the background monitor.

Stepping with the foreground monitor

Stepping for the foreground monitor is handled identically to the background monitor. Test stepping using the same procedure as for the background monitor.

Installing emulation memory

The last feature of the emulator that you need to integrate is the emulation memory. Emulation memory is intended to overlay ROM in the target system. This allows changes to target programs to be quickly loaded into a system. Emulation memory is completely dual ported.

If emulation memory is placed over existing target memory, interlock it to the target memory strobes. This ensures that the target memory control circuits remain in sync with the emulator. If there are no strobes that respond in the address range where emulation memory is placed, then do not interlock. When interlocked, both the DSACK and BERR signals are sampled.

Part 2

Service



5



Installing/Updating Emulator Firmware

How to update the emulator firmware using a workstation or PC.

When to update the firmware

You need to update the emulator firmware if:

- you ordered the HP 64780A and the HP 64748C separately,
- you are using a HP 64748C that has been previously used with a different emulator probe,
- you are upgrading to a newer version of the 68360 processor, or
- you received a firmware update disk from HP.

If you ordered the HP 64780A MC68360 emulator probe and the HP 64748C emulation control card together, the control card contains the correct firmware for the HP 64780A.

Updating the firmware using a workstation

If you have installed emulator interface software on your UNIX workstation, enter the following command at the operating system prompt:

```
progflash
```

The program will prompt you for further information. Further information on the **progflash** command can be found in the user interface manual.

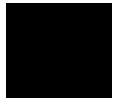
Updating the firmware using a PC

The firmware, and the program that downloads it into the control card, are included with the MC68360 emulator probe on the following MS-DOS format floppy disks:

- 68360 EMULATION FIRMWARE
- 64700 SW UTIL

The steps to install or update the emulator firmware are:

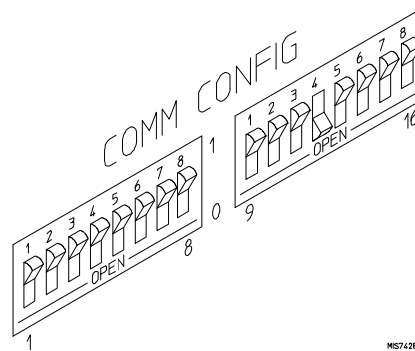
- 1 Connect the card to a PC's RS-232 port.
- 2 Install the firmware update utility and the emulator firmware.
- 3 Run "progflash" to update emulator firmware.



Step 1. Connect the HP 64700 card cage to your PC

- 1 Set the COMM CONFIG switches for RS-232C communication. To do this, locate the DIP switches on the HP 64700 rear panel, and set them as shown below.

You may wish to make a note of the COMM CONFIG switch settings before you change them. That way, you can restore the switch settings when you finish updating the firmware.



Switches 12 and 13 are set to 1 and 0, respectively. This sets the RTS/CTS hardware handshake, which is needed to make sure all characters are processed.

Switches 1, 2, and 3 are set to 0. This sets the baud rate to 9600.

Switch 16 is the LAN/RS-232 switch.

The switch settings are read during the HP 64700 power up routine.

- 2 Connect an RS-232C modem cable from the PC to the HP 64700 (for example, an HP 24542M 9-pin to 25-pin cable or an HP 13242N 25-pin to 25-pin cable).

You can also use an RS-232C printer cable, but if you do, you must set COMM CONFIG switch 4 to 1.

Insert the 25-pin male connector of the cable into PORT A on the HP 64700 rear panel. See which COM port the cable is connected to on your PC. Some PCs label COM ports as Serial ports (eg: COM1 may be labeled Serial A).

Step 2: Install the firmware update utility

Your HP Vectra PC or IBM PC AT compatible computer must have MS-DOS 3.1 or greater and a fixed disk drive. The firmware update utility and the 64780 firmware require about 300 Kbytes of disk space.

- 1 Insert the 64700 SW UTIL disk into drive A.
- 2 Change MS-DOS prompt to drive A: by typing "A:" at the MS-DOS prompt.

For example:

```
C> A: <RETURN>
A>
```

- 3 Type "INSTALL" at the MS-DOS prompt.

For example:

```
A> INSTALL <RETURN>
```

After confirming that you want to continue with the installation, the install program will give you the option of changing the default drive and/or subdirectory where the software will reside. The defaults are:

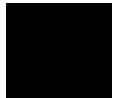
```
Drive = C:
Directory Path = C:\HP64700
```

Follow the remaining instructions to install the firmware update utility and the 64780 firmware. These instructions include editing your CONFIG.SYS and AUTOEXEC.BAT files. Details follow in the next steps.

- 4 After completing the install program, use the PC editor of your choice to edit the \CONFIG.SYS file to include these lines:

```
BREAK=ON
FILES=20
```

BREAK=ON allows the system to check for two break conditions:
<CTRL><Break>, and <CTRL>c.



Chapter 5: Installing/Updating Emulator Firmware

Updating the firmware using a PC

FILES=20 allows 20 files to be accessed concurrently. This number must be at LEAST 20 to allow the firmware update utility to operate properly.

5 Edit the AUTOEXEC.BAT file to add:

```
C:\HP64700\BIN (to the end of the PATH variable)
SET HPTABLES=C:\HP64700\TABLES (as a new line)
SET HPBIN=C:\HP64700\BIN (as a new line)
```

Part of an example AUTOEXEC.BAT file resembles:

```
ECHO OFF
SET HPTABLES=C:\HP64700\TABLES
PATH=C:\DOS;C:\HP64700\BIN
```

6 The default C:\HP64700\TABLES\64700TAB file contains entries to establish communications connections for COM1 and COM2. The content of this file is:

```
EMUL_COM1 unknown COM1 OFF 9600 NONE ON 1 8
EMUL_COM2 unknown COM2 OFF 9600 NONE ON 1 8
```

7 You can edit this file to identify your emulator, if desired:

```
EMUL_COM1 m68360 COM1 OFF 9600 NONE ON 1 8
EMUL_COM2 unknown COM2 OFF 9600 NONE ON 1 8
```

8 If you are using the COM3 or COM4 port to update your firmware, you need to edit the C:\HP64700\TABLES\64700TAB file. Either add another line or modify one of the existing lines. For example:

```
EMUL_COM3 m68360 COM3 OFF 9600 NONE ON 1 8
EMUL_COM4 unknown COM4 OFF 9600 NONE ON 1 8
```

Software installation is now complete. Reboot the PC to enable the changes made to the CONFIG.SYS and AUTOEXEC.BAT files. To reboot, press the <CTRL><ALT> keys simultaneously.

Step 3: Run "progflash" to update emulator firmware

- Enter the following command:

```
PROGFLAS
```

The PROGFLAS command downloads code from files on the host computer into Flash EPROM memory in the HP 64700. The full syntax is:

```
PROGFLAS [-V] [EMUL_NAME] [PRODUCT]
```

The -V option means "verbose". It causes progress status messages to be displayed during operation.

The EMUL_NAME option is the logical emulator name as specified in the \HP64700\TABLES\64700TAB file (example EMUL_COM1).

The PRODUCT option names the product whose firmware is to be updated (example 64780).

If you enter the PROGFLAS command without options, it begins an interactive session. You can abort the interactive PROGFLAS session by pressing <CTRL>c.

PROGFLAS will return 0 if it is successful; otherwise, it will return a nonzero (error) and a message will be written on the standard error output.

You can verify the update by displaying the firmware version information.



Chapter 5: Installing/Updating Emulator Firmware

Updating the firmware using a PC

Example

To install or update the HP 64780 emulator firmware in the HP 64700 card cage that is connected to the COM1 port:

```
C> PROGFLAS <RETURN>
```

```
HP64700S006 A.00.04 24Feb92
64700 SW UTIL
```

```
A Hewlett-Packard Software Product
Copyright Hewlett-Packard Co. 1991
```

All Rights Reserved. Reproduction, adaptation, or translation without prior written permission is prohibited, except as allowed under copyright laws.

RESTRICTED RIGHTS LEGEND

Use, duplication, or disclosure by the Government is subject to restrictions as set forth in subparagraph (c) (1) (II) of the Rights in Technical Data and Computer Software clause at DFARS 52.227-7013. HEWLETT-PACKARD Company, 3000 Hanover St., Palo Alto, CA 94304-1181

	Logical Name	Processor
1	EMUL_COM1	m68360
2	EMUL_COM2	m68000

Number of Emulator to Update? (intr (usually cntl C or DEL) to abort)

To update firmware in the HP 64700 that is connected to the COM1 port, enter "1".

```
Product
1 64780
```

Number of Product to Update? (intr (usually cntl C or DEL) to abort)

To update the HP 64780A MC68360 emulator firmware, enter "1".

Enable progress messages? [y/n] (y)

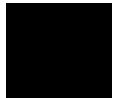
To enable status messages, enter "y".

Chapter 5: Installing/Updating Emulator Firmware Updating the firmware using a PC

```
Config file path is /hp64700/update/64780.cfg
System firmware revision required = A.04.00
ROM identifier address = 2FFFF0H
Required hardware identifier = 1FFFH,1FFCH
Control ROM start address = 280000H
Control ROM size = 40000H
Control ROM width = 16
Programming voltage control address = 2FFFFEH
Programming voltage control value = FFFFH
Programming voltage control mask = 0H
Checking System firmware revision...
Rebooting HP64700...
Downloading flash programming code: /hp64700/lib/npf.X
Checking Hardware id code...
Downloading ROM code: /hp64700/update/64780.X
  Code start 280000H (should equal control ROM start)
  Code size 29A3EH (must be less than control ROM size)
Finishing up...
Rebooting HP64700...
C>
```

You could perform the same update as in the previous example with the following command:

```
C> PROGFLAS -V EMUL_COM1 64780 <RETURN>
```



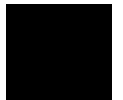
If the "progflash" routine won't work

For PROGFLAS to work, the selected communications port must have its Interrupt Request Line set to the default value. To set the value of the Interrupt Request Line:

- 1 Choose Control Panel in the Main window.
- 2 Choose Ports in the Control Panel window.
- 3 Choose the COMx port you are using, and click Settings...
- 4 Click Advanced... in the Settings for COMx dialog box.
- 5 Select the default value for the Interrupt Request Line in the Advanced Settings for COMx dialog box. The default settings are:

COM1 and COM3 COM2 and COM4	IRQ4 IRQ3
--------------------------------	--------------

6



Solving Problems

What to do when the emulator does not behave as expected

Chapter 6: Solving Problems

Sometime during your use of the emulator, you'll encounter a problem that isn't adequately explained by an error message or obvious target system symptoms. This chapter explains how to solve some of these problems.

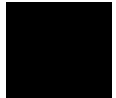
To verify the performance of the emulator

- 1 If you have a special configuration or session in progress, save it now. This procedure will cause your session to be lost.
- 2 Turn off power to the HP 64700 Card Cage.
- 3 Plug the emulator probe into the Demo Board. (See Chapter 3.) Your target system cannot be used for running performance verification.
- 4 Connect Demo Board power cable from the Demo Board to the HP 64700 Card Cage front panel. (See page 19.)
- 5 Make sure an appropriate clock module is installed.
- 6 Turn on power to the HP 64700 Card Cage.
- 7 Establish communication with the emulator from your host or ASCII terminal and obtain a prompt (such as **R>**). (See Chapter 3.)
- 8 Enter: **pv 1** <return>

There are different hardware system configurations for the HP 64700 Series system. For information on hardware configurations, refer to the HP 64700 Installation/Service manual.

Note that PV (performance verification) is affected by your choice of a clock module, as follows:

- If you run PV with the Target Oscillator Clock Module or Module C or E installed, performance will be verified but only for the clock mode associated with the module installed.
- If you run PV with Module B or D installed, or with no module installed, PV will fail. You must install one of the other clock modules to run PV.
- If you wish to run PV to test all possible modes of emulator operation, install Module A. After using Module A for PV, remove it and install the module



To verify the performance of the emulator

that is appropriate for the clock mode you wish to use. Module A does not provide full emulator functionality for all clock modes.

Examples

If you are using a LAN, you can use the telnet capability with the Terminal Interface:

- 1 From your host computer enter the command: **telnet <emulator_name>**.
- 2 Now enter the command: **pv 1**

Note: the HP 64700 telnet capability is not supported by Hewlett-Packard.

After about a minute, the emulator should display a list of tests which were performed, and whether they were passed or failed.

If you have an emulation failure, you can replace the assembly that failed. Refer to the list of replacable parts in Chapter 7. Contact your local Hewlett-Packard representative. Refer to the list of Sales Offices in the Support Services book supplied with this manual.

When your performance verification test is complete, use the keyboard **<CTRL>d** keys to end the emulation session.

To verify installation of memory modules in the deep analyzer card or in the emulation probe, type the ver command as follows:

M>**ver**

The emulator should display a message similar to the following:

Copyright (c) Hewlett-Packard Co. 1987
All Rights Reserved. Reproduction, adaptation, or translation without prior written permission is prohibited, except as allowed under copyright laws.

```
HP64700 Series Emulation System
Version:  A.04.00 22Oct92

HP64780A Motorola 68360 Emulator
Version:  A.00.00 15Nov93 Lab Proto
Control:  HP64748C Emulation Control Board
Memory:   256 Kbytes
Bank 0:   HP64172A 256 Kbyte (20ns) Memory Module

HP64740 Emulation Analyzer
Version:  A.02.02 13Mar91

HP64701A LAN Interface
Version:  A.00.04 21Oct91
```

What is pv doing to the Emulator?

The performance verification procedures provide a thorough check of the functionality of all of the products installed in the HP 64700 Card Cage. The following is an example Test Suite for an HP 64700 Card Cage containing an HP 64780A Emulator. To see the exact Test Suite for the HP 64780A Emulator and associated modules in your HP 64700 Card Cage, enter the command: **pv -l**.

```
Tests available in Emulator Subsystem:
test # 1 (ABG Type Map)
test # 2 (ABG 68k RAM - Host Side)
test # 3 (ABG 68k RAM - CPU Side)
test # 4 (Emulator Reset)
test # 5 (Host Side SIMM Data)
test # 6 (Host Side SIMM Address)
test # 7 (Background Monitor)
test # 8 (Processor Address Lines)
test # 9 (Processor Side SIMM Data)
test #10 (Processor Side SIMM Address)
test #11 (SIMM Cell Test)
test #12 (Data Path Test)
test #13 (Foreground Monitor)
test #14 (Dual-Port Access)
test #15 (Bus Width Reset Config)
test #16 (Emulation Memory Wait State)
test #17 (CS to Address Reconstruct)
test #18 (Analysis Trace Test)
test #19 (Analysis Break Test)
test #20 (Target Data Lines)
test #21 (Target Address Lines)
test #22 (Clock Modules Socket)
test #23 (Target PRTY and *PERR lines)
test #24 (Target Write Enable Lines)
test #25 (Target *CS/*CAS/RASxDD)
test #26 (Target Control Lines Test 1)
test #27 (Target Control Lines Test 2)
test #28 (Target PORT A Lines)
test #29 (Target PORT B Lines)
test #30 (Target PORT C Lines)
test #31 (Target FCODES and RMC)
test #32 (Target IRQ Lines)
test #33 (Target DMA to CPU RAM)
test #34 (Run From Target Memory)
test #35 (Demo Bd 7 Segment Display)
```

Troubleshooting

The test results for all of these modules are indicated by a simple PASS/FAIL message. The PASS message gives a high level of confidence that all major functions and signals are operating because it includes a loopback test that includes read and write tests to the demo board. The demo board also stimulates inputs to the emulator.

Chapter 6: Solving Problems
To ensure software compatibility

A FAIL message indicates that one or more of the tested functions is NOT working. In this event, call your local HP field representative.

To ensure software compatibility

There are various sets of firmware resident in the assemblies contained in the HP 64700 Card Cage. It is important to ensure that all the versions are compatible among the products you have installed. You can determine which versions of firmware you have by entering the terminal interface `ver` command.

There are at least four assemblies that have separate firmware in the HP 64700 Card Cage. These assemblies are:

- Host Controller card
- Emulator card
- Analyzer card
- Local Area Network card

If you purchased a complete Emulation/Analysis System from HP, you can be assured that all the products contained in the HP 64700 Card Cage contain compatible firmware at the time of sale. Software compatibility problems can occur when you swap the host controller card, emulator card, analyzer card, or local area network (LAN) card from one HP 64700 Card Cage to another, or from a recently purchased subassembly.

For example, you might purchase only the emulator subassembly (Emulation Control Card, Probe, and interconnecting ribbon cable) and replace the original emulator subassembly with the one you just purchased. In this case, the host controller may contain a version of firmware that is older than required to operate the new emulator; hence, compatibility problems can be caused by a newer emulator. All emulators will work with the latest software versions. The emulator software will warn you of incompatible software.

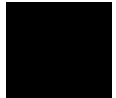
This emulator and the LAN card in the HP 64700B card cage have Flash EPROMs that can be updated with current versions of firmware. Other products (assemblies) that do not use the Flash EPROM technology can also be updated with the latest firmware by using the Flash EPROM in the HP 64700B card cage.

If you are using an HP 64700A card cage, you can obtain an optional LAN card and an optional Flash EPROM card from your local Hewlett-Packard

representative. The optional Flash EPROM card can be inserted in an available slot in the HP 64700A card cage to override old versions of firmware in products with conventional EPROMs. The host controller in the HP 64700A card cage is already programmed to look for a Flash EPROM card if one is installed. To obtain an optional LAN card and/or optional Flash EPROM card, refer to the list of HP Sales Offices in the Support Services book supplied with this manual.

When you load all your new versions of software onto your host computer, you are now ready to load the new version of firmware from your host computer to the assemblies that are in the HP 64700 Card Cage.

To load the new firmware, you use the *progflash* command. The *progflash* command must be run from a PC or workstation; it displays a list of card cages and subassemblies in each card cage on your system. From these lists, you can select which product to update. For information on using the *progflash* command, and updating your HP 64700 Series firmware, refer to the chapter 5, "Installing/Updating Emulator Firmware."



To display the emulator status

The emulator status is displayed on a status line in the graphical interfaces. If you need to display the emulator status using the built-in Terminal Interface:

- Display the emulator status by typing: **es**

The emulation prompts can usually tell you most information about the emulator's status: whether the emulator is reset, running a user program, or running in monitor. If you need more information than is given by the prompt, you can use the **es** command.

Example

```
R>es
68360--Emulation reset
R>
```

To check the version of the Terminal Interface software

- Type `ver` to display the version numbers of the Terminal Interface system software and emulator software.

The MC68360 emulator firmware must be used with the correct version of the emulation system and emulation analyzer firmware. See the paragraph titled, "To ensure software compatibility" earlier in this chapter for more information.

If the Performance Verification reports massive PV failures

- Check to make sure mapper chip U84 on Emulation Control Card Subassembly HP 64748C is installed properly in its socket.
-

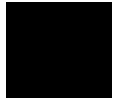
If the emulator appears to be malfunctioning

- Check to make sure that the cables connecting the Emulation Control Board to the Emulation Probe are connected correctly.
 - Run the performance verification procedure as described in this chapter. If the emulator fails this test, and if you upgraded your own emulation microprocessor to use the Revision B silicon from Motorola, ensure that the software version of your HP64780A Motorola 68360 Emulator is A.00.22, or higher software version number. Then contact your Hewlett-Packard representative.
 - If the emulator passes the performance verification procedure, look for other reasons for the problem. Performance Verification is a thorough test, but it cannot find every hardware failure in the emulator. It is a good indication that the
-

emulator is functioning correctly, but if you are still convinced the emulator is malfunctioning, contact your local Hewlett-Packard representative.

If interrupts are not detected by your emulator

- If you are using the Real-Time C Debugger Interface on a PC, choose RealTime→Monitor Intrusion→Disallowed, and choose RealTime→Memory Polling→OFF. The first command prevents operator use of the monitor. The second command prevents the interface from using the monitor to update its displays. You will see dashes in place of values in the Registers and Watchpoints windows. If you must use the emulation monitor, see the remaining checks in this problem discussion.
- If you are using the Graphical User Interface on a workstation, choose Modify→Emulator Config... and select restriction to real-time runs and enable target system interrupts.
- If you are using the Terminal Interface, enter **cf rrt=en**, and **cf ti=en**.
- Check to see if you are using the background monitor. Interrupts are ignored by the emulation processor when executing in the background monitor.
- Check to see if you are using the foreground monitor with many short-duration interrupt requests. When the emulator enters the foreground monitor, and again, when it exits the foreground monitor, it ignores interrupts. It detects interrupts while executing the foreground monitor, except on entry to and exit from the foreground monitor. If you are using short-duration interrupt requests, they may be missed if they occur during entry to or exit from the foreground monitor.



If the analyzer triggers on a program address when it should not

- Check to see if the analyzer is triggering on an instruction prefetch. The analyzer cannot distinguish between prefetch and execution because the processor does not provide that information. Usually your actual trigger address is within 4 words of the address where trigger is occurring.
- Try to pad the program code with NOP instructions to move the trigger address away from the other code so that it won't be prefetched until it is time to trigger.
- You may be able to insert a write instruction to a meaningless variable in your code immediately following the trigger address. Then you can trigger on a write to the address of the variable. Write transactions never appear in instruction prefetches.

If trace disassembly appears to be partially incorrect

- Check to see if the analyzer began disassembly of the trace on a long-word boundary but the instruction started on the low word within the long word. This will make disassembly incorrect. You can start disassembly on the low word within the long word by use of **tl -d -ol <trace list line number>**.
- If the trace list seems correct for a few states after disassembly starts, and then it seems incorrect, restart disassembly of the trace at the low word where disassembly first becomes incorrect **tl -ol <trace list line number>**.
- If an instruction seems to have incorrect data associated with it, you can read down the trace list to see if you can find correct data for the instruction on another line. You can cause the disassembler to realign the instruction with the correct data by entering a command like **tl -d -ol <trace list line number containing instruction> <trace list line number containing data>**. For example, **tl -d -ol 38 47**.

If you see unexplained states in the trace list

- Check to see that the sequence, storage and trigger specifications are set up to exclude the states that you don't need.
- If you are using the built-in terminal interface, try using the **tl <instruction_state>** **<operand_state>** command to inform the dequeuer which operand state belongs with the named instruction state.
- If you are using the built-in terminal interface, try using the **-ol** option to the **tl** command to begin disassembly from the low word of the starting state, instead of the high word.
- Check to see if instruction or operand accesses in the range covered by the trace could be filled from cache memory. If so, these cycles won't appear in the trace list, which will confuse the disassembler. Either disable the cache memory entirely or disable caching for those address ranges by adding the **ci** (cache inhibit) attribute to those ranges in the memory map.

If the analyzer won't trigger

- Instruction fetches from internal 68360 resources normally aren't visible to the analyzer. You can force them to be visible by enabling *show cycles*. The SIM register MCR allows you to set show cycles.
- When the MC68360 fetches instructions from program memory, it can address 32-bit longwords. These addresses are multiples of 4 (ending in 0h, 4h, 8h, and Ch). The instruction you are trying to trigger on may be in the high word or the low word of the long word. If you specify trigger on a symbolic address without knowing whether that symbol is in the high word or low word, the address may not appear on the address bus. If you think this may be the problem, try specifying your trigger symbol as long-aligned. This long-word correction is not necessary when you are trying to trigger on data fetches; data is always fetched from the absolute address of the data location.

If you suspect that the emulator is broken

- 1 Shut off power to your target system, and then the emulator.
- 2 Disconnect the emulator from your target system.
- 3 Connect the emulator to the demo board. Also connect the power cable from the emulator to the demo board.
- 4 Apply power to the emulator.
- 5 Type **pv 1** to run performance verification.

If either the emulator or analyzer fail the performance verification, check the installation of those modules. If the installation is correct, contact your local HP Sales and Service office for assistance.

If emulation memory behavior is erratic

- Check to see if you have installed HP 64171A or HP 64171B memory modules on the emulation probe board. These memory modules are too slow to work with the MC68360 emulator. Use HP 64172A, HP 64172B, and/or HP 64173A memory modules.
- Ensure that you have answered the configuration question correctly for the memory modules in use. The configuration question establishes the required number of wait states to be used within the emulator.
- Check that emulation memory is not configured as DRAM.

If emulation memory addressing appears incorrect

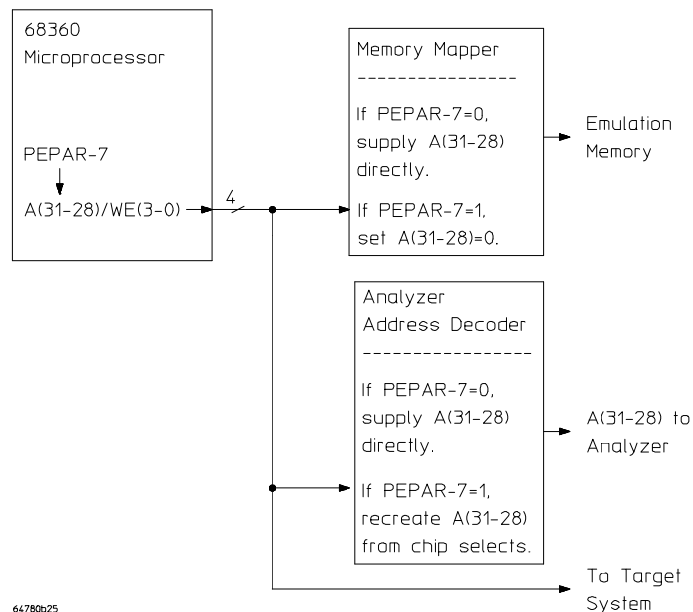
The 68360 emulator has limited addressing when the upper address bits, A(31-28), are programmed as WE(3-0). The following paragraphs explain the addressing limitations.

Bits A(31-28) are not available from the 68360 microprocessor when they are programmed as WE(3-0). The emulator uses information in the programming of the chip selects to recreate A(31-28). Recreated bits A(31-28) are supplied to the analyzer so symbolic debugging can be done in the trace list. Unfortunately, A(31-28) cannot be recreated fast enough to be used by the emulation memory mapper. In this mode, A(31-28) are set to 0 and mapping is limited to the lower 28 bits of address information.

The configuration of A(31-28)/WE(3-0) can be seen using the terminal interface command:

```
M>info upperaddr
```

The way the hardware interprets the four upper-address lines is shown in the following diagram:



Chapter 6: Solving Problems
If emulation memory addressing appears incorrect

Example memory access problems

The remainder of this section shows several incorrect memory accesses caused by the mode of A(31-28)/WE(3-0). These affect execution and trace list interpretation.

Example memory map

Addresses 0 through 7ffffH are mapped as emulation RAM.
All other addresses are target system RAM.

Example chip select (CS) programming

The chip selects are used to address memory using the following scheme:

Base and Option Registers; br7-0 and or7-0

Chip	Address	Function	Parity	
Select	Assign	Base	Mask	Code Mask R/W Checking TCYC
CS0	SRAM 32-bit	00000000H	0FC00000H	0H 0H read disabled 15
CS1	DRAM	10000000H	0FC00000H	0H 0H both disabled 02
CS2	DRAM	10400000H	0F800000H	0H 0H both disabled 02
CS3	SRAM 32-bit	00402000H	0FBFC000H	0H 0H both disabled 03
CS4	SRAM 32-bit	00404000H	0FBC0000H	0H 0H both disabled 04
CS5	SRAM 32-bit	00480000H	0FA80000H	0H 0H both disabled 03
CS6	SRAM Ext Dsack	20000000H	0E000000H	0H 0H both disabled 15
CS7	Invalid			

If you display diagnostics with this example setup, you can see the following warning message:

The emulator configuration has been checked for inconsistencies and potential problems. Any "ERRORS" listed should be resolved for the emulator to operate correctly. Any "Warning" messages list expectations and limitations of the emulator of which the user should be made aware.

Warning 172: Emulator can not respond to chip 1 without ADDR[31:28]
Warning 172: Emulator can not respond to chip 2 without ADDR[31:28]
Warning 172: Emulator can not respond to chip 6 without ADDR[31:28]

Example problems

Problem 1. Access occurs in emulation memory instead of target

A program is written to access address 20000000H within the address range selected by CS6. Since 0s replace the upper nibble to the emulation memory mapper, the mapper points to address 00000000H in emulation memory. No error message tells you that the wrong address was accessed. Furthermore, the trace list shows the target address "20000000H," despite the fact that "00000000H" was accessed in emulation memory.

Problem 2. Target access

A program is written to access target address 10400000H within the range selected by CS2. Since 0s replace the upper nibble to the mapper, the mapper points to address 00400000H in target memory (target ram is the default in the memory map). Because the upper nibble is transferred to the target system without modification, target address 10400000H is accessed correctly.

Problem 3. DRAM access

A program is written to access address 10000000H within the address range selected by CS1, which is configured for DRAM. Since 0s replace the upper nibble to the mapper, the mapper points to address 00000000H in emulation memory. The emulator may break into the monitor when this address is accessed, and issue the status "DRAM access into emulation memory is not allowed". Emulation memory does not support being configured as DRAM.

Note that the emulator will also break into the monitor on accesses to emulation memory when parity is enabled because emulation memory does not support parity checking.

Additional problem using CS7

If the \sim CS/RAS7/ \sim IACK7 signal is programmed to operate as CS7, diagnostic information will issue a warning. Since the analyzer uses the chip selects to decode the upper nibble, the upper nibble in the trace list may not be valid.

If you're having problems with DMA

- Check to make sure your external DMA process doesn't access memory ranges mapped to emulation RAM (**eram**) or emulation ROM (**erom**). External DMA to emulation memory resources is not supported.
- The analyzer uses FC3 to determine whether or not a cycle is a DMA cycle. When FC3=0, the disassembler assumes the activity was generated by the 68360 CPU, not an internal DMA bus master. Therefore, the trace list will not tag the cycle as a DMA cycle. The disassembler will interpret the internal DMA cycles as program or data fetches. The disassembler may produce a large amount of incorrect disassembly information after encountering internal DMA cycles with FC3=0. When FC3=1 during a DMA cycle, the disassembler will interpret the internal DMA cycles correctly.

If you see exclamation marks "!" in count columns of the trace lists

- This is a normal condition. It indicates the counter overflowed (began again at 0) before the present state was captured. The exclamation mark warns you that the counter value may not be accurate because the analyzer is unable to determine how many times the counter overflowed between the preceding state and the state where the exclamation mark is shown.

If you were to scroll through a trace list of the entire trace memory in relative count mode, a "!" would be seen beside the first state after each occurrence of counter overflow (each 22.9 minutes). If you were to scroll through the entire trace memory in absolute count, the "!" would be seen beside every state after the first occurrence of counter overflow.

If you see negative time or state counts in trace lists

- If counter overflow occurs during a trace measurement, you may see a count of negative time or negative states in trace lists using the absolute time count mode. This indicates that the counter value stored with the trigger state was greater than the counter value stored with the present state. In absolute time counts, negative times will continue to be seen until a state is captured whose counter value is greater than the trigger state counter value. In relative time counts, the counter value is corrected so no negative time is seen.

If you do not see the counter overflow indication "!" where you expected to see it in a trace list



- This may be a normal indication. If you scroll through a reduced portion of the trace memory, one that contains no counter overflow, no counter overflow indication will be seen, even if counter overflow occurred before the line range you specified in your **display/store/copy** command. The routine that reads trace memory to compose a trace list only reads the portion of the trace memory you specify in your **display/store/copy** command.

7



Parts List

Parts List

What is an Exchange Part?

Exchange parts are shown on the parts list. A defective part can be returned to HP for repair in exchange for a rebuilt part.

Probe (exchange)

To replace the Probe on the exchange program, you must remove certain parts, and return only that part considered an exchange part. When returning the Probe, you must remove the:

- cable assembly.
- clock module.
- top and bottom plastic covers.
- SRAM modules.
- demo board.

Emulation Control Card (exchange)

To replace the Emulation Control Card on the exchange program, you must remove certain parts, and return only that part considered an exchange part. When returning the Emulation Control Card, you must remove the:

- ribbon cable that connects the Emulation Control Card to the analyzer card.
- cable assembly.
- egress panel.

Main Assembly		
Component Part	New	Exchange
HP 64780A Probe and Demo Board		
64700 SW UTIL	64700-17534	
68360 Emulator Firmware	64780-17001	
MC68360 Probe Board for HP 64780A	64780-66512	64780-69512
(Order the following parts separately:)		
Top Plastic Cover	64783-04101	
Bottom Plastic Cover	64783-04102	
Plastic Rivets Kit (rivets and washers)	64748-68700	
PGA Pin Protector, stackable	1200-1832	
Target Oscillator Clock Module (jumper board shipped in clock module socket)	64780-66509	
Clock Module Kit (5 break-off modules)	64780-66507	
Demo Board for HP 64780A	64780-66504	
(Order the following part separately:)		
External Power Cable	5181-0201	
Fuse 5A 125V	2110-0838	
Fuse Holder, clip type, two required	2110-0825	
HP 64748C Emulation Control Card Subassembly		
Egress Panel	64748-00205	
Bracket (used with Egress Panel)	64748-01201	
Spacer, Hex M3X6	0515-1146	
Screw, Machine M3X8	0515-0372	
Cable-100 36"	64748-61601	
Cable-100 37"	64748-61602	
Cable-100 38"	64748-61603	
Cable Clamp	64744-01201	
Rubber Strip	64744-81001	
Emulation Control Card	64748-66515	64748-69515
(without external cable or egress panel)		
Wrist strap	9300-1405	

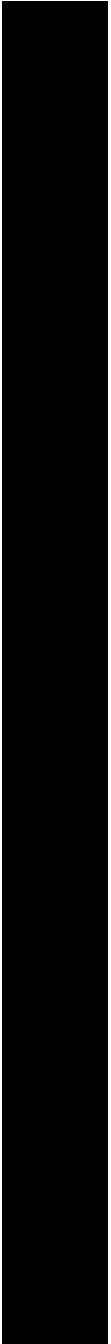


Chapter 7: Parts List

Main Assembly		
Component Part	New	Exchange
HP 64172A 256 Kbyte SRAM Module	64172A	64172-69501
HP 64172B 1 Mbyte SRAM Module	64172B	64172-69502
HP 64173A 4 Mbyte SRAM Module	64173A	64173-69501
HP 64794A Emulation-Bus Analyzer (deep) card	64794-66502	64794-69502
34-pin ribbon cable	64708-61601	
Analyzer Card HP 64740 with 1K memory depth	64740-66526	64740-69526
34-pin ribbon cable	64708-61601	
Connector Accessory (Not supplied - Order separately):		
PGA to PGA Flexible Cable (see page 58)	E3430A	

Part 3

Terminal Interface Reference



8



Using the Terminal Interface

An introduction to the emulator's built-in terminal interface.

The emulator has a built-in, host-independent Terminal Interface. The Terminal Interface provides all the commands you need to make emulation and analysis measurements. The interface includes tools for emulator initialization, command entry and recall, and command help.

When to Use the Terminal Interface

Hewlett-Packard suggests that you control the emulator with a graphical interface on a host computer (page 139). You may need to use the Terminal Interface, however, for tasks such as:

- Troubleshooting emulator hardware.
- Troubleshooting the connection between the emulator and a host computer.
- Developing a custom interface (such as a debugger) for the emulator.
- Using the emulator when a PC or workstation is not available, but a terminal or terminal emulator is available.
- Accessing emulator or analyzer features which are not supported by the graphical interfaces. In this case, it is best to issue the Terminal Interface commands from within the graphical interface.
- Using the emulator if you are already an expert user of the Terminal Interface and you do not need the improved ease of use of the graphical interfaces.

Learning About the Terminal Interface

You should be able to find most of what you need to know about the Terminal Interface commands from the online help.

To start the Terminal Interface

- To connect the emulator to a terminal or host computer, see Chapter 2.
- If the emulator is connected to a LAN, type the following command to log in to the emulator:

```
$ telnet hostname
```

Where <hostname> is the name of the emulator. You could use the Internet Protocol (IP) address (or internet address) in place of the emulator name, if desired.

Note

The "telnet" capability of the HP64700 card cage is unsupported. It is provided at no cost. Hewlett-Packard makes no warranty on its quality or fitness for a particular purpose.

- If the emulator is connected to your host computer or terminal via a serial port, press <return> a few times and you should see an emulator prompt.

The Terminal Interface is active when you connect a terminal or terminal emulator to the emulator via a serial or LAN connection.

Example

If the IP address of your emulator is 15.35.226.210, type:

```
$ telnet 15.35.226.210
```

You should see messages similar to:

Chapter 8: Using the Terminal Interface

To view a list of available commands

```
Trying...
Connected to 15.35.226.210
Escape character is '^['
```

After you connect to the emulator, you should see a prompt similar to:

```
R>
```

To view a list of available commands

- 1 Display the main help menu by typing: **help**

The main help menu lists groups of commands.

- 2 Display the commands in one of the groups by typing **help** followed by the name of the command group.

You can see a list of all of the commands by typing **help ***. This list may be too long to fit on your terminal display.

Example

To display the main help menu, enter:

```
R>help
```

The emulator will list the command groups:

```
help - display help information

help <group>          - print help for desired group
help -s <group>       - print short help for desired group
help <command>        - print help for desired command
help                  - print this help screen

--- VALID <group> NAMES ---
gram  - system grammar
proc  - processor specific grammar

sys   - system commands
emul  - emulation commands
trc   - analyzer trace commands
*     - all command groups
```

To display help information for the emulation command group, enter:

```
R>help emul
```

The emulator will list the emulation commands:

```
emul - emulation commands
-----
b.....break to monitor      demo...demo program      r.....run user code
bc....break condition       dump...dump memory      reg....registers
bp....breakpoints          es....emulation status  rst....reset
cf....configuration        info...config info      rx....run at CMB execute
cim...copy target image    io....input/output      s.....step
ck....check config         load...load memory      ser...search memory
cmb...CMB interaction      m.....memory            sync...synchronize emulator
cov...coverage            map...memory mapper
cp....copy memory         mo.....modes
```

To view help on individual commands

- To display help information for a particular command, type: **help** `<command_name>`

The emulator will display the command syntax, description, and examples.

Examples

To display help information for the processor step command, enter:

```
R>help s
```

The emulator will display:

```
s - step emulation processor

s                - step one from current PC
s <count>        - step <count> from current PC
s <count> $      - step <count> from current PC
s <count> <addr> - step <count> from <addr>
s -q <count> <addr> - step <count> from <addr>, quiet mode
s -w <count> <addr> - step <count> from <addr>, whisper mode

--- NOTES ---
STEPCOUNT MUST BE SPECIFIED IF ADDRESS IS SPECIFIED!
If <addr> is not specified, default is to step from current PC.
A <count> of 0 implies step forever.
```

To view help on command syntax

- Type: **help gram**

Graphical Interfaces

HP provides a variety of interfaces for this emulator, including:

- The built-in Terminal Interface.
- A graphical interface for MS-Windows.
- A graphical emulator/analyzer interface for HP and Sun workstations.
- A graphical debugger for HP and Sun workstations.

HP also provides other instruments and software tools for developing, debugging, and optimizing embedded systems.

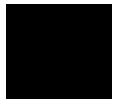
Note

Ask your HP sales representative for more information about these interfaces. Other interfaces may also be available from HP.

Why use a graphical interface?

The graphical emulator interfaces

- Use your host computer's windowing environment.
- Reduce many commands (such as setting breakpoints or stepping through source lines) to a single mouse-click.
- Show different kinds of information about your target system (for example, register contents, memory contents, and high-level source code) in separate windows at the same time.
- Simplify emulator configuration by clearly displaying configuration options and their relationship to one another.
- Automate frequent tasks through menu selections, user-defined action keys, and command files.
- Work with compilers and assemblers to shorten the edit-compile-execute cycle.



9



Specifications and Characteristics

Processor Compatibility

The HP 64780A emulator supports the Motorola 68360 and 68EN360 microprocessor operating at clock speeds up to 33 MHz.

The HP 64780A emulator also supports the Motorola 68MH360 microprocessor operating at clock speeds up to 33 MHz with customer modification. Refer to "The HP 64780A Emulator, Description" on page v of this manual for details.

The emulator supports both 5V and 3.3V operation. The emulator plugs directly into a PGA socket, and it can be plugged into a PQFP target system using optional accessories.

The HP 64780A only operates in the 68360 master mode. The emulator cannot be operated in slave or 68040 companion mode.

Electrical

Maximum clock speed

The maximum clock speed of the emulator is 33 MHz. The emulator runs without wait states at clock speeds up to 33 MHz. If accessing emulation memory, the emulator can run without wait states up to 33 MHz when using 20 ns emulation memory SIMMs.

Motorola JTAG and BDM

The HP 64780A does not support Motorola JTAG. Therefore, no specifications are given for Motorola JTAG in this manual.

The HP 64780A does not support the CPU32+ Background Debug Mode (BDM). Therefore, no specifications are given for the BDM in this manual.

HP 64780A Maximum Ratings

Characteristic	Symbol	Value	Unit
Supply Voltage	V _{CC}	-0.3 to +5.5	V
Input Voltage	V _{in}	-0.5 to +5.5	V
Maximum Operating Ambient Temperature	T _A	45	°C
Minimum Operating Ambient Temperature	T _A	0	°C
Storage Temperature Range	T _{stg}	-40 to +70	°C



HP 64780A Electrical Specifications

HP 64780A — DC ELECTRICAL SPECIFICATIONS (V _{CC} =5.0 Vdc ±5%)				
Characteristic	Symbol	Min	Max	Unit
Input High Voltage (except EXTAL)	V _{IH}	2.0	V _{CC}	V
Input Low Voltage	V _{IL}	GND	0.8	V
EXTAL Input High Voltage	V _{IHC}	0.7*V _{CC}	V _{CC} +0.3	V
Undershoot		—	-0.8	V
Hi-Z (Off-State) Leakage Current (all noncrystal outputs and I/O pins) @ V _{in} = 0.5/2.4 V	I _{OZ}	-20	20	μA
Signal Low Input Current (V _{IL} = 0.8 V) DSACK0-1, $\overline{\text{BERR}}$, $\overline{\text{HALT}}$, $\overline{\text{BR}}$	$\overline{\text{BGACK}}$, A31-0, SIZ1-0, FC3-0 $\overline{\text{AS}}$, $\overline{\text{DS}}$, R/W All other inputs	I _{IL}	—	-0.8 -1.6 -0.2
Signal High Input Current (V _{IH} = 2.0 V) $\overline{\text{DSACK0-1}}$, $\overline{\text{BERR}}$, $\overline{\text{HALT}}$, $\overline{\text{BR}}$	$\overline{\text{BGACK}}$, A31-0, SIZ1-0, FC3-0 $\overline{\text{AS}}$, $\overline{\text{DS}}$, R/W All other inputs	I _{IH}	—	50 100 20
Output High Voltage I _{OH} = -0.8 mA, V _{CC} = 4.75 V All noncrystal outputs except open drain pins	V _{OH}	2.4	—	V

Chapter 9: Specifications and Characteristics
HP 64780A Electrical Specifications

HP 64780A — DC ELECTRICAL SPECIFICATIONS (V _{CC} =5.0 Vdc ±5%)				
Characteristic	Symbol	Min	Max	Unit
Output Low Voltage	V _{OL}	—		V
I _{OL} = 1.2 mA	CLK01		0.5	
I _{OL} = 2.0 mA	CLK02, IPIPE1		0.5	
I _{OL} = 2.6 mA	A31-0, SIZ1-0, FC3-0		0.5	
I _{OL} = 3.2 mA	D31-0, PA0,2,4,6,8-15, PB0-5, PB8-17, PC0-11, PERR, PRTY0-3		0.5	
I _{OL} = 3.6 mA	AS		0.5	
I _{OL} = 4.1 mA	DS, R/W		0.5	
I _{OL} = 4.6 mA	DSACK0-1, BERR		0.5	
I _{OL} = 5.3 mA	CAS3-0, OE, RMC, BG, BLCRO, RAS0-7		0.5	
I _{OL} = 7 mA	TXD1-4		0.5	
I _{OL} = 8.3 mA	RESETH, RESETS, HALT		0.5	
I _{OL} = 8.9 mA	PB6, PB7		0.5	
Input Capacitance (All I/O pins)	C _{in}	—	50	pF
Load Capacitance (except CLK01-2)	C _L	—	100	pF
Power Supply Current	P _d	—	500	mA

Refer to the equivalent circuit diagrams for details.

HP 64780A Timing Specifications

All specifications are the same as listed in the Motorola *M68360 User's Manual*, Chapter 10, except for the following. The superscript numbers refer to the _____ footnotes in the Motorola manual. The characteristics depend on whether \overline{AS} , \overline{DS} , R/\overline{W} and CLK01 are buffered. You can control this buffering when you configure the emulator (see your emulator user interface manual).

HP 64780A AC Timing Specifications

Num	Characteristic	\overline{AS} , \overline{DS} , and R/\overline{W} CLK01		unbuf unbuf		buf unbuf		unbuf buf		buf buf		Unit
		Min	Max	Min	Max	Min	Max	Min	Max	Min	Max	
Bus Operation and Control												
2,3	CLK02 Pulse Width (measured at 1.5V)	19	—	19	—	16	—	16	—	—	—	ns
5B	EXTAL to CLK01 skew--PLL enabled (MF)	—	±2	—	±2	—	+7	—	+7	—	—	ns
5D	CLK01 to CLK02 skew	—	2	—	2	—	7	—	7	—	—	ns
6	CLK01 High to Address, FC, SIZ, RMC Valid	0	15	0	15	-5	13	-5	13	—	—	ns
6A	CLK01 High to Address Valid (GAMX=1; Page Mode Enabled)	0	20	0	20	-5	18	-5	18	—	—	ns
7	CLK01 High to Address, Data, FC, SIZ, RMC High Impedance	0	40	0	40	-5	38	-5	38	—	—	ns
8	CLK01 High to Address, Data, FC, SIZ, RMC Invalid	0	—	0	—	-5	—	-5	—	—	—	ns

Chapter 9: Specifications and Characteristics
HP 64780A AC Timing Specifications

Num	Characteristic	$\overline{\text{AS}}, \overline{\text{DS}}, \text{ and } \overline{\text{R/W}}$ CLK01		unbuf unbuf		buf unbuf		unbuf buf		buf buf		Unit
		Min	Max	Min	Max	Min	Max	Min	Max	Min	Max	
9	$\overline{\text{CLK01}}$ Low to $\overline{\text{OE}}, \overline{\text{WE}}, \overline{\text{IFETCH}}, \overline{\text{IPIPE}}, \overline{\text{IACKx}}$ Asserted	3	20	3	20	-2	18	-2	18	ns		
9	$\overline{\text{CLK01}}$ Low to $\overline{\text{AS}}, \overline{\text{DS}}$	3	20	5	25	-2	18	0	23	ns		
9 ¹⁰	$\overline{\text{CLK01}}$ Low to $\overline{\text{CSx/RASx}}$ Asserted	4	16	4	16	-1	14	-1	14	ns		
9B ¹¹	$\overline{\text{CLK01}}$ High to $\overline{\text{CSx/RASx}}$ Asserted	4	16	4	16	-1	14	-1	14	ns		
9A ^{2,10}	$\overline{\text{AS}}$ to $\overline{\text{DS}}$ or $\overline{\text{CSx/RASx}}$ or $\overline{\text{OE}}$ Asserted (Read)	-6	6	-11	11	-6	6	-11	11	ns		
9C ^{2,11}	$\overline{\text{AS}}$ to $\overline{\text{CSx/RASx}}$ Asserted	14	26	9	24	14	26	9	24	ns		
11 ¹⁰	Address, FC SIZ, $\overline{\text{RMC}}$ Valid to $\overline{\text{CSx/RASx}}, \overline{\text{OE}}, \overline{\text{WE}}$ Asserted	10	—	10	—	10	—	10	—	ns		
11 ¹⁰	Address, FC SIZ, $\overline{\text{RMC}}$ Valid to $\overline{\text{AS}}, \overline{\text{DS}}$ Read Asserted	10	—	12	—	10	—	12	—	ns		
12 ¹²	$\overline{\text{CLK01}}$ Low to $\overline{\text{OE}}, \overline{\text{WE}}, \overline{\text{IFETCH}}, \overline{\text{IPIPE}}, \overline{\text{IACKx}}$ Negated	3	20	3	20	-2	18	-2	18	ns		
12 ¹²	$\overline{\text{CLK01}}$ Low to $\overline{\text{AS}}, \overline{\text{DS}}$ Negated	3	20	5	25	-2	18	0	23	ns		
12 ¹⁶	$\overline{\text{CLK01}}$ Low to $\overline{\text{CSx/RASx}}$ Negated	4	16	4	16	-1	14	-1	14	ns		
12A ^{13,16}	$\overline{\text{CLK01}}$ High to $\overline{\text{CSx/RASx}}$ Negated	4	16	4	16	-1	14	-1	14	ns		
13 ¹²	$\overline{\text{CSx}}, \overline{\text{OE}}, \overline{\text{WE}}, \overline{\text{IACKx}}$ Negated to Address, FC, SIZ Invalid (Address Hold)	10	—	10	—	10	—	10	—	ns		
13 ¹²	$\overline{\text{AS}}, \overline{\text{DS}}$ Negated to Address, FC, SIZ Invalid (Address Hold)	10	—	12	—	10	—	12	—	ns		

Chapter 9: Specifications and Characteristics
HP 64780A AC Timing Specifications

Num	Characteristic	$\overline{\text{AS}}, \overline{\text{DS}}, \text{and } \overline{\text{R/W}}$ CLK01		unbuf unbuf		buf unbuf		unbuf buf		buf buf		Unit
		Min	Max	Min	Max	Min	Max	Min	Max			
14 ^{10,12}	$\overline{\text{CSx}}, \overline{\text{OE}}, \overline{\text{WE}}$ Width Asserted	70	—	70	—	70	—	70	—	ns		
14 ^{10,12}	$\overline{\text{AS}}, \overline{\text{DS}}$ Read Width Asserted	70	—	67	—	70	—	67	—	ns		
14A	$\overline{\text{DS}}$ Write Width Asserted	35	—	32	—	35	—	32	—	ns		
14B	$\overline{\text{CSx}}, \overline{\text{OE}}, \overline{\text{WE}}, \overline{\text{IACKx}}$ Width Asserted (Fast Termination Cycle)	35	—	35	—	35	—	35	—	ns		
14B	$\overline{\text{AS}}, \overline{\text{DS}}$ Read Width Asserted (Fast Termination Cycle)	35	—	32	—	35	—	32	—	ns		
15 ^{3,10,13}	$\overline{\text{CSx}}, \overline{\text{OE}}, \overline{\text{WE}}$ Width Negated	35	—	35	—	35	—	35	—	ns		
15 ^{3,10,13}	$\overline{\text{AS}}, \overline{\text{DS}}$ Width Negated	35	—	32	—	35	—	32	—	ns		
17 ¹²	$\overline{\text{CSx}}, \overline{\text{WE}}$ Negated to $\overline{\text{R/W}}$ High	10	—	10	—	10	—	10	—	ns		
17 ¹²	$\overline{\text{AS}}, \overline{\text{DS}}$ Negated to $\overline{\text{R/W}}$ High	10	—	7	—	10	—	7	—	ns		
18	CLK01 High to $\overline{\text{R/W}}$ High	0	20	2	25	-5	18	-3	23	ns		
20	CLK01 High to $\overline{\text{R/W}}$ Low	0	20	2	25	-5	18	-3	23	ns		
21 ¹⁰	$\overline{\text{R/W}}$ High to $\overline{\text{CSx}}, \overline{\text{OE}}$ Asserted	10	—	10	—	10	—	10	—	ns		
21 ¹⁰	$\overline{\text{R/W}}$ High to $\overline{\text{AS}}$ Asserted	10	—	5	—	10	—	5	—	ns		
21A ¹¹	$\overline{\text{R/W}}$ High to $\overline{\text{CSx}}$ Asserted	30	—	25	—	30	—	25	—	ns		
22	$\overline{\text{R/W}}$ High to $\overline{\text{DS}}$ Asserted (Write)	47	—	44	—	47	—	44	—	ns		

Chapter 9: Specifications and Characteristics
HP 64780A AC Timing Specifications

Num	Characteristic	$\overline{\text{AS}}$, $\overline{\text{DS}}$, and $\overline{\text{R/W}}$ CLK01		unbuf unbuf		buf unbuf		unbuf buf		buf buf		Unit
		Min	Max	Min	Max	Min	Max	Min	Max	Min	Max	
23	CLK01 High to Data-Out, Parity-Out Valid	—	20	—	20	—	18	—	18	—	18	ns
24 ¹²	Data-Out, Parity-Out Valid to Negating Edge of CSx, WE (Fast Termination Write)	10	—	10	—	10	—	10	—	10	—	ns
24 ¹²	Data-Out, Parity-Out Valid to Negating Edge of AS (Fast Termination Write)	10	—	15	—	10	—	15	—	15	—	ns
26	Data-Out, Parity-Out Valid to $\overline{\text{DS}}$ Asserted (Write)	10	—	12	—	10	—	12	—	12	—	ns
27 ¹⁵	Data-in, Parity-in to CLK01 Low (Data Setup)	1	—	1	—	6	—	6	—	6	—	ns
27B ¹⁴	Data-in, Parity-in Valid to CLK01 Low (Data Setup)	20	—	20	—	25	—	25	—	25	—	ns
27A ¹⁴	Late $\overline{\text{BERR}}$, $\overline{\text{HALT}}$, BKPT Asserted to CLK01 Low (Setup Time)	10	—	10	—	15	—	15	—	15	—	ns
28	$\overline{\text{AS}}$, $\overline{\text{DS}}$ Negated to $\overline{\text{DSACKx}}$, $\overline{\text{BERR}}$, $\overline{\text{HALT}}$ Negated	0	50	0	45	0	50	0	45	0	45	ns
29A ⁴	$\overline{\text{CSx}}$, $\overline{\text{OE}}$ Negated to Data-in High Impedance	—	40	—	40	—	40	—	40	—	40	ns
29A ⁴	$\overline{\text{DS}}$ Negated to Data-in High Impedance	—	40	—	35	—	40	—	40	—	35	ns
30A ⁴	CLK01 Low to Data-in High Impedance	—	60	—	60	—	58	—	58	—	58	ns
46	$\overline{\text{R/W}}$ Width Asserted (Write or Read)	100	—	97	—	100	—	97	—	97	—	ns
46A	$\overline{\text{R/W}}$ Width Asserted (Fast Termination Write or Read)	75	—	72	—	75	—	72	—	72	—	ns

Chapter 9: Specifications and Characteristics
HP 64780A AC Timing Specifications

Num	Characteristic	$\overline{\text{AS}}, \overline{\text{DS}}, \text{and } \overline{\text{R/W}}$ CLK01		unbuf unbuf		buf unbuf		unbuf buf		buf buf		Unit
		Min	Max	Min	Max	Min	Max	Min	Max	Min	Max	
55	$\overline{\text{R/W}}$ Asserted to Data Bus Impedance Change	25	—	20	—	25	—	20	—	ns		
70	CLK01 Low to Data Bus Driven (Show Cycle)	0	30	0	30	0	28	0	28	ns		
71	Data Setup Time to CLK01 Low (Show Cycle)	10	—	10	—	12	—	12	—	ns		
73	BKPT Input Setup Time	n/a	—	n/a	—	n/a	—	n/a	—	ns		
74	BKPT Input Hold Time	n/a	—	n/a	—	n/a	—	n/a	—	ns		
80	DS1 Input Setup Time	n/a	—	n/a	—	n/a	—	n/a	—	ns		
81	DS1 Input Hold Time	n/a	—	n/a	—	n/a	—	n/a	—	ns		
82	DSCLK Input Setup Time	n/a	—	n/a	—	n/a	—	n/a	—	ns		
83	DSCLK Input Hold Time	n/a	—	n/a	—	n/a	—	n/a	—	ns		
84	DSO Delay Time	—	n/a	—	n/a	—	n/a	—	n/a	ns		
85	DSCLK Cycle	n/a	—	n/a	—	n/a	—	n/a	—	t _{BKST}		
86	CLK01 High to FREEZE Asserted	n/a	n/a	n/a	n/a	n/a	n/a	n/a	n/a	ns		
87	CLK01 High to FREEZE Negated	n/a	n/a	n/a	n/a	n/a	n/a	n/a	n/a	ns		
88	CLK01 High to $\overline{\text{IFETCH}}$ High Impedance	0	35	0	35	-5	33	-5	33	ns		
89	CLK01 High to $\overline{\text{IFETCH}}$ Valid	0	35	0	35	-5	33	-5	33	ns		

Chapter 9: Specifications and Characteristics
HP 64780A AC Timing Specifications

Num	Characteristic	$\overline{\text{AS}}$, $\overline{\text{DS}}$, and $\overline{\text{R/W}}$ CLK01		unbuf unbuf		buf unbuf		unbuf buf		buf buf		Unit
		Min	Max	Min	Max	Min	Max	Min	Max			
90	CLK01 High to $\overline{\text{PERR}}$ Asserted	0	20	0	20	-5	18	-5	18	ns		
90	CLK01 High to $\overline{\text{PERR}}$ Negated	0	20	0	20	-5	18	-5	18	ns		
Bus Operation—DRAM Access												
105	CLK01 Low to $\overline{\text{CASx}}$ Asserted	3	13	3	13	-2	11	-2	11	ns		
105A	CLK01 High to $\overline{\text{CASx}}$ Asserted (Refresh Cycle)	3	13	3	13	-2	11	-2	11	ns		
106	CLK01 High to $\overline{\text{CASx}}$ Negated	3	13	3	13	-2	11	-2	11	ns		
115	$\overline{\text{R/W}}$ Low to $\overline{\text{CASx}}$ Asserted (Write)	75	—	70	—	75	—	70	—	ns		
119	CLK01 High to AMUX Negated	3	16	3	16	-2	14	-2	14	ns		
120	CLK01 High to AMUX Asserted	3	16	3	16	-2	14	-2	14	ns		
030/QUICC Bus Type Slave Mode Bus Arbitration specifications are not applicable												
030/QUICC Bus Type Internal Read/Write/IACK Asynchronous Cycles												
160	$\overline{\text{DS}}$ High to Data High Impedance	—	40	—	45	—	40	—	45	ns		
162	$\overline{\text{DS}}$ High to $\overline{\text{DSACK}}$ High	—	20	—	25	—	20	—	25	ns		
166	Data-in to $\overline{\text{DS}}$ Low	—	20	—	20	—	20	—	20	ns		
167	$\overline{\text{DSACK}}$ Low to Data-in Hold Time	0	—	0	—	0	—	0	—	ns		
170	$\overline{\text{AS}}$ High to $\overline{\text{AVEC0}}$ High	—	20	—	25	—	20	—	25	ns		

Chapter 9: Specifications and Characteristics
HP 64780A AC Timing Specifications

Num	\overline{AS} , \overline{DS} , and $\overline{R/W}$ CLK01 Characteristic	unbuf unbuf		buf unbuf		unbuf buf		buf buf		Unit
		Min	Max	Min	Max	Min	Max	Min	Max	
172	\overline{AS} High to \overline{IACK} High	—	20	—	25	—	20	—	25	ns
030/QUICC Bus Type Internal Read/Write/IACK Synchronous Cycles										
180	\overline{AS} Low to CLK01 High	7	—	12	—	12	—	10	—	ns
181	CLK01 Low to \overline{AS} High	—	20	—	15	—	15	—	17	ns
182	\overline{DS} Low to CLK01 High	7	—	12	—	12	—	10	—	ns
183	CLK01 Low to \overline{DS} High	—	20	—	15	—	15	—	17	ns
184	CLK01 Low to Data-Out Valid	—	20	—	20	—	20	—	20	ns
185	$\overline{R/W}$ Low to CLK01 High	7	—	12	—	12	—	10	—	ns
186	CLK01 High to $\overline{R/W}$ High	—	20	—	15	—	15	—	17	ns
187	Data-in to CLK01 Low	20	—	20	—	25	—	25	—	ns
188	CLK01 Low to Data-In, Hold Time	10	—	10	—	15	—	15	—	ns
030/QUICC Bus Type SRAM/DRAM Cycles										
200	\overline{AS} Low to \overline{OE} Low (Read Cycle)	—	20	—	25	—	20	—	25	ns
201	\overline{AS} High to \overline{OE} High	—	20	—	25	—	20	—	25	ns
202	\overline{AS} Low to \overline{WE} Low (Write Cycle)	—	20	—	25	—	20	—	25	ns
203	\overline{AS} High to \overline{WE} High	—	20	—	25	—	20	—	25	ns

Chapter 9: Specifications and Characteristics
HP 64780A AC Timing Specifications

Num	Characteristic	unbuf unbuf		buf unbuf		unbuf buf		buf buf		Unit
		Min	Max	Min	Max	Min	Max	Min	Max	
205	\overline{AS} Low to \overline{CSx} Low	—	22	—	27	—	22	—	27	ns
206	\overline{AS} High to \overline{CSx} High	—	20	—	25	—	20	—	25	ns
207	\overline{AS} Low to \overline{DSACK} Low	—	25	—	30	—	25	—	30	ns
208	\overline{AS} High to \overline{CASx} High	—	20	—	25	—	20	—	25	ns
209	\overline{AS} High to AMUX High	—	20	—	25	—	20	—	25	ns
210	\overline{AS} Low to $\overline{BKPT0}$ Low	—	20	—	25	—	20	—	25	ns
211	\overline{AS} High to $\overline{BKPT0}$ High	—	20	—	25	—	20	—	25	ns
213	Data Invalid to PRTY3-0 Invalid	5	—	5	—	5	—	5	—	ns
214	R/W Valid to \overline{AS} Low	0	—	3	—	0	—	3	—	ns
215	\overline{AS} High to R/W Inalid	0	—	0	—	0	—	0	—	ns
216	\overline{AS} Asserted to Parity Valid	—	20	—	25	—	20	—	25	ns
218	\overline{AS} Negated to Parity Inalid	—	20	—	25	—	20	—	25	ns
040 Bus Slave Mode specifications are not applicable										
IDMA										
1	CLK01 Low to \overline{DACK} , \overline{DONE} Asserted	—	24	—	24	—	24	—	24	ns
2	CLK01 Low to \overline{DACK} , \overline{DONE} Negated	—	24	—	24	—	24	—	24	ns

Chapter 9: Specifications and Characteristics
HP 64780A AC Timing Specifications

Num	Characteristic	$\overline{\text{AS}}, \overline{\text{DS}}, \text{ and } \overline{\text{R/W}}$ CLK01		unbuf unbuf		buf unbuf		unbuf buf		buf buf		Unit
		Min	Max	Min	Max	Min	Max	Min	Max	Min	Max	
4 ¹	Asynchronous Input Setup Time to CLK01 Low	12	—	12	—	17	—	17	—	—	—	ns
10 ¹	Asynchronous Input Setup Time to CLK01 Low	5	—	5	—	10	—	10	—	—	—	ns
12 ²	DREQ Input Setup Time to CLK01 Low	20	—	20	—	25	—	25	—	—	—	ns
14 ²	DONE Input Setup Time to CLK01 Low	20	—	20	—	25	—	25	—	—	—	ns
PIP/PIO												
29	Data-in Setup Time to Clock Low	20	—	20	—	25	—	25	—	—	—	ns
31	Clock High to Data-out Valid (CPU Writes Data, Control, or Direction)	—	25	—	25	—	25	—	25	—	—	ns
Interrupt Controller												
37	Clock High to $\overline{\text{IOUT}}$ Valid (Slave Mode)	n/a	—	n/a	—	n/a	—	n/a	—	n/a	—	ns
38	Clock High to $\overline{\text{RQOUT}}$ Valid (Slave Mode)	n/a	—	n/a	—	n/a	—	n/a	—	n/a	—	ns
Timer												
65	CLK01 High to $\overline{\text{TOUT}}$ Valid	3	20	3	20	-2	18	-2	18	—	—	ns
IEEE 1149.1 specifications are not applicable												

Physical

Emulator Dimensions

173 mm height x 325 mm width x 389 mm depth (6.8 in. x 12.8 in. x 15.3 in.)

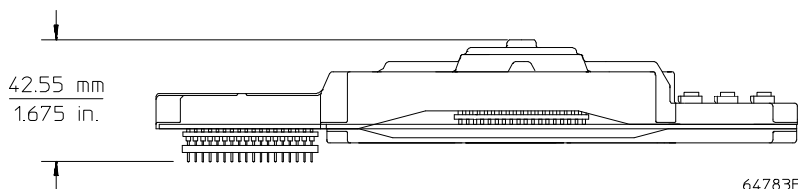
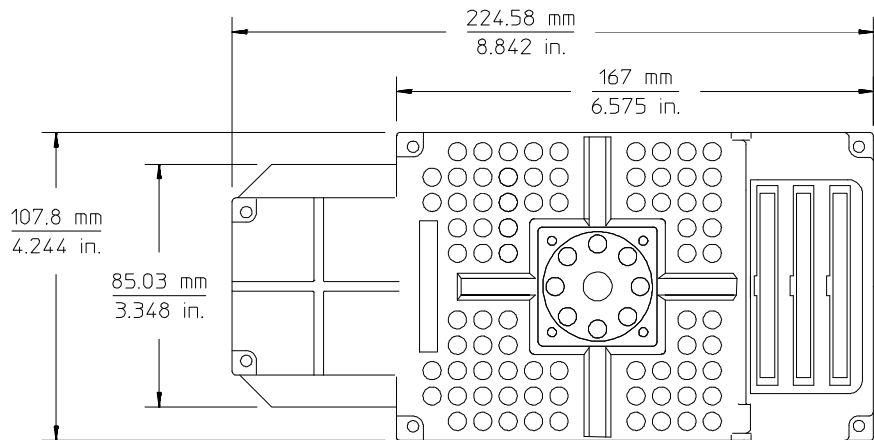
Emulator Weight

Probe alone: 0.3 kg (10 oz).

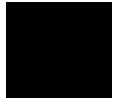
Cable Length

Emulation Control Card to Probe, approximately 914 mm (36 inches).

Probe dimensions



64783E12



Environmental

Temperature

Operating, 0° to +40° C (+32° to +104° F); nonoperating, -40° C to +60° C (-40° F to +140° F).

Altitude

Operating/nonoperating 4600 m (15 000 ft).

Relative Humidity

15% to 95%.

BNC, labeled TRIGGER IN/OUT

Output Drive

Logic high level with 50-ohm load ≥ 2.0 V. Logic low level with 50-ohm load ≤ 0.4 V.

Input

74HCT132 with 135 ohms to ground in parallel. Maximum input: 5 V above V_{cc}; 5 V below ground.

Communications

Host Port

25-pin female type “D” subminiature connector.

RS-232-C DCE or DTE to 38.4 kbaud.

RS-422 DCE only to 460.8 kbaud.

Auxiliary Port (64700A Only)

25-pin female type “D” subminiature connector.

RS-232-C DCE only to 19.2 kbaud.

CMB Port

9-pin female type “D” subminiature connector.



Glossary

Absolute Count

A count in the trace list count column that indicates the total count accumulated between the displayed state and the trigger state.

Absolute File

A file consisting of machine-readable instructions in which absolute addresses are used to store instructions, data, or both. These files are generated by the compiler/assembler/linker and are loaded into the emulator.

Access Breakpoint

A break from execution of your target program to execution of the emulation monitor when the emulator detects a read or write of an address or range of addresses.

Access Mode

Specifies the types of cycles used to access target system memory locations. For example a "byte" access mode tells the monitor program to use load/store byte instructions to access target memory.

Analyzer

An instrument that captures activity of signals synchronously with a clock signal. An emulation-bus analyzer captures emulator bus cycle information. An external analyzer captures activity on signals external to the emulator.

Analyzer Clock Speed

The bus cycle rate of the emulation processor. If the emulation processor is running at 21 MHz and the fastest bus cycle requires three clocks, then the analyzer clock speed (bus cycle rate) is $21/3 = 7$ MHz.

Arm Condition

A condition that reflects the state of a signal external to the analyzer. The arm condition can be used in branch or storage qualifiers. External signals can be from another analyzer or an instrument connected to the CMB or BNC.

Assembler

A program that translates symbolic instructions into object code.

Background

The emulator mode in which foreground operation is suspended so the emulation processor can be used for communication with the emulation controller. The background monitor does not occupy any processor address space.

Background Memory

Memory space reserved for the emulation processor when it is operating in the background mode. Background memory does not take up any of the microprocessor's address space.

Background Monitor

A monitor program that operates entirely in background memory. The background monitor can execute when target program execution is temporarily suspended. The background monitor does not occupy any of the address space that is available to your target program.

BNC Connector

A connector that provides a means for the emulator to drive/receive a trigger signal to/from an external device (such as a logic analyzer, oscilloscope, or HP 64000-UX system).

Breakpoint

A point at which emulator execution breaks from the target program and begins executing in the monitor. (See also Execution Breakpoint and Access Breakpoint.)

Command File

A file containing a sequence of commands to be executed.

Compatible Mode

The compatible mode of the deep analyzer configures the analyzer to provide the same memory depth as the 1K analyzer: 1024 states deep when the analyzer is not configured to make a count of states or time during a measurement, and 512 states deep when the analyzer is configured to make a count of states or time during a measurement. If the emulator interface you are using along with the deep analyzer requires that you use the compatible mode, the deep analyzer will still be able to provide one of its benefits for your measurement; you will be able to make your counts of states or time at full emulator clock speed.

Compiler

A program that translates high-level language source code into object code, or produces an assembly language program with subsequent translation into object code by an assembler. Compilers typically generate a program listing which may list errors displayed during the translation process.

Counter Overflow

When the counter reaches maximum count and begins a new count from zero. The counter of the deep analyzer simply counts continuously once a trace begins; it increments its count every 20 ns, and reaches maximum count in about 22.9 minutes (22 minutes and 54 seconds). The deep analyzer sets a flag in memory and stores it along with the first state that is captured after the counter overflow occurs (first state captured after the counter begins again at zero).

Configuration File

A file in which configuration information is stored. Typically, configuration files can be modified and re-loaded to configure instruments (such as an emulator) or programs (such as the PC Interface).



Coordinated Measurement

A synchronized measurement made between the emulator and analyzer, between emulation-bus analyzer and external analyzer, or between multiple emulators or analyzers. For example, a coordinated measurement is made when two or more HP 64700 emulators/analyzers start executing together, or break into background monitors at the same time.

Coordinated Measurement Bus (CMB)

The bus that is used for communication between multiple HP 64700 Series emulators/analyzers or between HP 64700 emulators/analyzers and an HP 64306 IMB/CMB Interface to allow coordinated measurements.

Cross Trigger

The situation in which the trigger condition of one analyzer is used to trigger another analyzer. Two signals internal to the HP 64700 can be connected through the BNC on the instrumentation card cage to allow cross-triggering between the emulation-bus analyzer and other analyzers.

DCE (Data Communications Equipment)

A specific RS-232C hardware interface configuration. Typically, DCE is a modem.

Deep Analyzer

In this manual, the term "deep analyzer" refers to the HP 64794 Emulation-Bus Analyzer with deep trace memory.

Display Mode

When displaying memory, this mode tells the emulator the size of the memory locations to display. When modifying memory, the display mode tells the emulator the size of the values to be written to memory.

Downloading

The process of transferring absolute files from a host computer into the emulator.

DTE (Data Terminal Equipment)

A specific RS-232C hardware interface configuration. Typically, DTE is a terminal or printer.

Embedded Microprocessor System

The microprocessor system which the emulator plugs into.

Emulation Bus Analyzer

A system component built into the HP 64700 that captures the emulation processor's address, data, and status information.

Emulation Memory

High-speed memory (RAM) in the emulator that can be used in place of target system memory.

Emulator

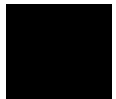
An instrument that performs just like the microprocessor it replaces, but at the same time, it gives you information about the operation of the processor. An emulator gives you control over target system execution and allows you to view or modify the contents of processor registers, target system memory, and I/O resources.

Emulator Probe

The assembly that connects the emulator to the target system microprocessor socket.

Escape Sequence (transparent mode)

A keyboard input consisting of a special sequence of characters, beginning with the escape character (1C hexadecimal). This sequence is used to access an emulator while in transparent mode. When using multiple emulators and transparent mode to access the different emulators, each one must be given a unique escape character.



Execution Breakpoint

A BKPT instruction placed in your software in RAM, replacing the normal instruction at the RAM address. Breakpoints for code in ROM are stored in emulation hardware and jammed on the emulation bus during the fetch cycle. When the BKPT is executed, emulation immediately transfers from execution of your target program to execution of the emulation monitor.

Expression

The information that can fit into a single pattern or a single range (a pattern such as **addr=2105**, **data!=15**, or a range such as **addr=4012..401a**). A complex expression is made up of pattern, range, and arm labels joined together by various operators that define the specific condition. Each of the pattern and range labels must be previously assigned to specific simple expressions using the terminal interface commands: **tpat** and **trng**.

External DMA

DMA cycles initiated by bus masters outside the 68360 processor chip. External DMA cycles use the BR, BG, and BGACK handshake signals. See definition of "Internal DMA."

Foreground

The mode in which the emulator is executing the user program. In other words, the mode in which the emulator operates as the target microprocessor would.

Foreground Monitor

A monitor program that executes in the foreground address space. When the monitor exists in foreground, it is directly accessible by, and can interact with, your target program.

Guarded Memory

An address range that is to be inaccessible to the emulation processor. The emulator will generate a break and display an error message if an access to guarded memory occurs.

Handshaking

A process that involves receiving and/or sending control characters which indicate a device is ready to receive data, that data has been sent, and that data has been accepted.

Host Computer

A computer to which an HP 64700 Series emulator can be connected. A host computer may run interface programs which control the emulator. Host computers may also be used to develop programs to be downloaded into the emulator.

Internal DMA

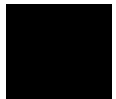
DMA cycles initiated by bus masters contained within the 68360 processor chip, such as the CPM, but not the 68360 CPU. It is often difficult or impossible to distinguish between cycles on the processor buses that are internal DMA activity and cycles that are 68360 CPU activity. See definition of "External DMA."

Inverse Assembler

A program that translates absolute code into assembly language mnemonics.

Label

A set of one or more analyzer channels. Example, the label "addr" is used to identify the analyzer channels connected to the address bus of the emulation processor.



Linker

A program that combines relocatable object modules into an absolute file which can be loaded into the emulator and executed.

Logical Address Space

The addresses assigned to code during the process of compiling, assembling and linking to generate absolute files.

Macros

Custom made commands that represent a sequence of other commands. Entire sequences of commands defined in macros will be automatically executed when you enter the macro name. Macro nesting is permitted; this allows a macro definition to contain other macros.

Memory Mapper Term

A number assigned to a specific address range in the memory map. Term numbers are consecutive.

Memory Mapping

Defining ranges of the processor address space as emulation RAM or ROM, target RAM or ROM, or guarded memory.

Monitor Program

A program executed by the emulation processor that allows the emulation system controller to access target system resources. For example, when you display target system memory locations, the monitor program executes microprocessor instructions that read the target memory locations and send their contents to the emulation controller.

Operating System

Software which controls the execution of computer programs and the flow of data to and from peripheral devices.

Overflow

See counter overflow.

Parity Setting

The configuration of the parity switches. Depending on the configuration of the parity output switch and the parity switch, a parity check bit is added to the end of data to make the sum of the total bits either even or odd. A parity check is performed after data has been transferred, and is accomplished by testing a unit of the data for either odd or even parity to determine whether an error has occurred in reading, writing, or transmitting the data.

Path

Also referred to as a directory (for example \users\projects).

Pass Through Mode

See Transparent Mode.

PC Interface

A program that runs on the HP Vectra and IMB PC/AT compatible computers. This is a friendly interface used to operate an HP 64700 Series emulator.

Performance Verification

A program that tests the emulator to determine whether the emulation and analysis hardware is functioning properly.

Physical Address Space

The address space in hardware memory and hardware I/O that is accessed by the microprocessor during normal program execution.

P/O

An abbreviation for "part of." Used in illustrations to show that a part is shipped with other parts under a certain HP part number.



Prefetch

The ability of a microprocessor to fetch additional opcodes and operands before the current instruction is finished executing.

Prestore

The storage of states captured by the analyzer that precede states which are normally stored. If the normal storage qualifier specifies the entry address of a function or routine, prestore can be used to identify the callers of that function or routine.

Prestore Qualifier

A specification that must be met by a state before it can be saved in the analyzer prestore memory.

Primary Sequencer Branch

Occurs when the analyzer finds the primary branch state specified at a certain level and begins searching for the states specified at the primary branch's destination level.

Qualifier

A specification that must be met before an action can be taken by the analyzer. For example, a store qualifier is a specification that must be met by an incoming state before it can be stored in the trace memory. The "arm" condition can be used as an additional qualifier. For example, an external analyzer may be set up to supply a true signal to the rear panel BNC connector on the card cage when it detects a true condition in the target system. Then the analyzer can be set up to store qualify a certain kind of state, but only when the arm signal from the BNC is true.

Real-Time Execution

Continuous execution of the user program without interference from the emulator. (Such interference occurs when the emulator temporarily breaks into the monitor so that it can access register contents or target system memory or I/O.)

Relative Count

A count in the trace list count column that shows the count between the present displayed state and the state displayed immediately before it. Relative time count, for example, shows the elapsed time between the previous displayed state and the present state. Note that the count is between displayed states. If your trace list is inverse assembled and/or dequeued, several states may have been captured in memory between the present displayed state and the displayed state immediately before it.

Remote Configuration

The configuration in which an HP 64700 Series emulator is directly connected to a host computer via a single port. Commands are entered (typically from an interface program running on the host computer) and absolute code is downloaded into the emulator through that single port.

RS-232C

A standard serial interface used to connect computers and peripherals.

Secondary Sequencer Branch

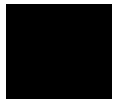
Occurs when the analyzer finds the secondary branch state specified at a certain level before it found the primary branch state and begins searching for the states specified at the secondary branch's destination level.

Sequencer

The part of the analyzer that allows it to search for a certain sequence of states before triggering.

Single-step

The execution of one microprocessor instruction. Single-stepping the emulator allows you to view program execution one instruction at a time.



Software Breakpoint

Refer to execution breakpoint and access breakpoint in this glossary.

Software Performance Analyzer

An analyzer that measures execution of software modules, interaction between software modules, and usage of data points and I/O ports.

Standalone Configuration

The configuration in which a data terminal is used to control the HP 64700 Series emulator, and the emulator is not connected to a host computer.

stderr

An abbreviation for “standard error output.” Standard error can be directed to various output devices connected to the HP 64700 ports.

stdin

An abbreviation for “standard input.” Standard input is typically defined as your computer keyboard.

stdout

An abbreviation for “standard output.” Standard output can be directed to various output devices connected to the HP 64700 ports.

Step

See Single-step.

Store Qualifier

A specification that must be met by a state before it can be saved in the analyzer trace memory.

Synchronous Execution

The execution of multiple HP 64700 Series emulators/analyzers at the same time (i.e., multiple emulator start/stop).

Syntax

The order in which expressions are structured in command languages. Syntax rules determine which forms of command language syntax are grammatically acceptable.

Target Program

The program you are developing for your product. It is also called user program.

Target System

The circuitry where the emulator probe is connected (typically a microprocessor-based system under development).

Target System Memory

Storage that is present in the target system.

Terminal Interface

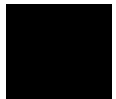
The command interface present inside the HP 64700 Series emulators that is used when the emulator is connected to a simple data terminal. This interface provides on-line help, command recall, macros, and other features which provide for easy command entry from a terminal.

Trace

A collection of states captured synchronously by the analyzer.

Transparent Configuration

The configuration in which the HP 64700 Series emulator is connected between a data terminal and a host computer. When the emulator is in the transparent (pass through) mode, the data terminal acts like a normal terminal connected to the computer. In this configuration, you can develop code on the host computer and download absolute code into the emulator for debugging and testing.



Transparent Mode

The emulator mode in which all characters received on one port will be copied to the other port. This mode allows a data terminal (connected to one emulator port) to access a host computer (connected to the other emulator port) through the emulator.

Trigger

The condition that identifies a reference state within an analyzer trace measurement. Trigger also refers to the analyzer signal that becomes active when the trigger condition is found.

Trigger signals called trig1 and trig2 are bidirectional signal lines that can be used to coordinate measurement activity between emulators and analyzers installed in the instrumentation card cage, and between instruments connected to the BNC on the rear panel of the card cage.

Note that there is a delay when you use a trigger for measurement coordination. For example, you may specify that the emulator break to its monitor program when it receives trig1 from the analyzer. Several states may be executed in the emulator between the time the analyzer recognizes its trigger condition, generates trig1, delivers trig1 to the emulator, and the emulator responds to trig1 by breaking to its monitor program.

Uploading

The transfer of emulation or target system memory contents to a host computer.

Unlocked Exit

One of two methods used to leave the high level (Graphical or Softkey) Interface and return to the host computer operating system. An unlocked exit command allows you to exit the high level interface and re-enter later with the default configuration. (See also Locked Exit.) This is not available in the Terminal Interface.

User Program

Another name for your target program (the program you are developing for your product).

Viewport

See Window.

Wait States

Extra microprocessor clock cycles that increase the total time of a bus cycle. Wait states are typically used when slower memory is implemented.

Window

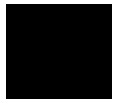
A specified rectangular area of virtual space shown on the display in which data can be observed.

1K Analyzer

The term "1K analyzer" refers to the HP 64704 Emulation-Bus Analyzer with 1K trace memory.

"!"

When shown in the trace list count column of the terminal interface or the PC interface, the exclamation mark "!" indicates counter overflow.



Index

- A**
 - A(31-28) memory addressing incorrect, **121-123**
 - access size (target memory), **159**
 - adapters, **58**
 - addresses, LAN, **37**
 - altitude specifications, **156**
 - analyzer clock speed, definition, **159**
 - analyzer fails to trigger, **119**
 - analyzer triggers on wrong event, **118**
 - AUI connector, **34**
 - on LAN board, **34**
 - AUTOEXEC.BAT file, **103-104**
 - 1K analyzer, definition, **173**
- B**
 - background, definition, **160**
 - BNC connector, **34**
 - built-in interface
 - See* terminal interface
- C**
 - cables
 - connecting to the emulator probe, **9-10**
 - data communications, **102**
 - power, **30**
 - card cage
 - applying power, **30-31, 49**
 - different models, **5**
 - removing cover, **12**
 - cards
 - installing in card cage, **18**
 - removing from card cage, **14**
 - cautions
 - antistatic precautions, **6**
 - electrostatic discharge on LAN, **35**
 - rear panel, do not stand HP 64700 on, **11**
 - circuit diagrams of clock modules, **63**
 - CLKO1, **54**

- clock module
 - effect on PV, **111**
 - information, **61**
 - installing, **27**
 - making a user-definable clock module, **65**
 - selecting, **27, 60-79**
 - user definable, **65**
- clocks
 - modes, **54**
 - specifications, **142**
- CMB (Coordinated Measurement Bus)
 - specifications, **157**
- commands
 - help, **136**
 - terminal interface, **136**
 - See also* the name of the individual command
- compatibility of software, ensuring, **114**
- CONFIG.SYS file, **103-104**
- configuration, system, **34**
- connecting probe to demo target system, **47**
- connections
 - See* host computer, connecting to
- counter overflow indication not seen in trace list, **125**
- counts, negative counts in count column, **125**
- cover, removing, **12**
- crystal oscillator problems, **64**
- D**
 - data communications
 - cable selection, **102**
 - specifications, **157**
 - deep analyzer, definition, **162**
 - demo target system
 - connecting power, **19**
 - connecting the emulator probe, **47**
 - depth, increasing memory, **7**
 - details, clock module selection, **61**
 - diagrams, clock module circuits, **63**
 - disassembly of trace partially incorrect, **118**
 - display mode, **162**
 - displaying emulator status, **115**
 - DMA problem solving, **124**

- E** emulation memory
 addressing problems, **121-123**
 installing modules, **24**
emulator
 displaying status information, **115**
 performance verification, **111**
emulator does not detect interrupts, **117**
emulator memory behavior is erratic, **120**
emulator probe
 connecting to demo target system, **47**
 See probe
 selecting a clock module, **61**
emulator problems discussed, **116**
emulator reset, **83**
emulator status, displaying, **115**
environment variables
 HPBIN, **104**
 HPTABLES, **104**
 PATH, **104**
erratic behavior of emulation memory, **120**
es (emulator status) command, **115**
ethernet address, **40**
exchange part, defined, **128**
exclamation mark "!" in trace list count column, **124**
- F** firmware updating, **99-108**
 connecting the HP 64700 to the PC, **102**
flash card, installing in HP 64700A, **21**
flexible PGA adapter, **58**
frequency, making a user-definable clock module, **65**
- G** gateway address, **37-40**
- H** hardware, HP 9000 minimums overview, **4**
help, on-line help command, **136**
host computer, connecting to, **33-43**
HP 64700 firmware update, connecting the HP 64700 to the PC, **102**
HP 9000 minimum system requirements overview, **4**
HP workstation interface, **139**
HPBIN environment variable, **104**
HPTABLES environment variable, **104**
humidity specifications, **156**

Index

- I**
 - incorrect emulation memory addressing, **121-123**
 - installation, **4, 46-50**
 - analyzer memory modules, **7**
 - emulation memory modules, **24-29**
 - hardware, **5**
 - placing boards in the card cage, **11-23**
 - verifying installation of memory modules, **112**
 - interfaces
 - graphical, **139**
 - terminal, **133-139**
 - internet address, **37-40, 43**
 - interrupts not detected by emulator, **117**
 - ipconfig700, **37-39**
- L**
 - LAN
 - connecting to, **33-43**
 - installing LAN card in HP 64700A, **21**
 - parameters, **37, 40-42**
 - link level address, **38-40**
 - list of replaceable parts, **128**
- M**
 - malfunctioning emulator, **116**
 - MAU, **34**
 - memory addressing incorrect, **121-123**
 - memory modules
 - installing on analyzer card, **7**
 - installing on probe, **24-29**
 - installing on the emulation probe, **24**
 - verifying installation, **112**
 - memory of emulator behavior is erratic, **120**
 - module
 - clock module information, **61**
 - making a user-definable clock module, **65**
 - selecting a clock module, **60-79**
- N**
 - negative counts in trace list count column, **125**
- O**
 - oscillator problems, **64**
 - overflow, definition, **166**

- P**
- P/O (part of), **167**
 - parts, minimum system, **5**
 - parts list, **128**
 - PATH environment variable, **104**
 - PC interface, **139**
 - performance verification, **111-113**
 - reports massive failures, **116**
 - PGA adapter, **58**
 - pin protectors, **58**
 - power applied to the card cage, **30-31, 49**
 - power cable
 - connecting to card cage, **30**
 - demo board, **19**
 - probe
 - connecting the cables, **9-10**
 - connecting to demo target system, **47**
 - dimensions, **155**
 - selecting a clock module, **61**
 - problem solving
 - if emulation memory behavior is erratic, **120**
 - if interrupts are not detected by your emulator, **117**
 - if the analyzer triggers on a program address when it should not, **118**
 - if the analyzer won't trigger, **119**
 - if the emulator appears to be malfunctioning, **116**
 - if the performance verification reports massive failures, **116**
 - if trace disassembly appears to be partially incorrect, **118**
 - if you do not see the counter overflow indication "!" where you expect to see it in a trace list, **125**
 - if you see exclamation marks "!" in count columns of the trace lists, **124**
 - if you see negative time or state counts in trace lists, **125**
 - if you see unexplained states in the trace list, **119**
 - if you suspect the emulator is broken, **120**
 - if you're having problems with DMA, **124**
 - incorrect emulation memory addressing, **121-123**
 - problems of emulator discussed, **116**
 - target crystal problems, **64**
 - target oscillator problems, **64**
 - to check the version of the Terminal Interface software, **116**
 - to display the emulator status, **115**
 - to ensure software compatibility, **114**

Index

- processor reset, **83**
- progflash command, **99-108**
- Q**
 - QFP adapter, **58**
 - quick reference, **136**
- R**
 - reset, performed by the emulator, **83**
- S**
 - schematics, clock module circuits, **63**
 - selecting a clock module, **60-79**
 - service ports, TCP, **41**
 - software compatibility
 - ensuring, **114**
 - software version number, check for terminal interface, **116**
 - specifications
 - altitude, **156**
 - buffering, **53**
 - clock, **142**
 - CMB, **157**
 - data communications, **157**
 - humidity, **156**
 - probe dimensions, **155**
 - temperature, **156**
 - timing, **146**
 - trigger in/out, **156**
 - StarLAN, **34**
 - status of emulator, displaying, **115**
 - subnet mask, **37-39, 41**
 - Sun workstation interface, **139**
 - system configuration, **34**
 - system requirements
 - HP 9000 overview, **4**

- T**
 - target crystal problems, **64**
 - target oscillator problems, **64**
 - TCP service ports, **41**
 - telnet, **39, 42-43, 135**
 - command, **135**
 - temperature specifications, **156**
 - terminal interface, **133-139**
 - checking the software version number, **116**
 - help command, **136**
 - starting, **135**
 - when to use, **134**
 - testing emulator performance, **111-113**
 - ThickLAN, **34**
 - ThinLAN, **34**
 - time, negative times shown in count column, **125**
 - trace disassembly partially incorrect, **118**
 - trace list contains exclamation marks "!", **124**
 - trace list contains unexplained states, **119**
 - trace list shows negative counts of states or time, **125**
 - trigger
 - analyzer fails to trigger, **119**
 - in/out specifications, **156**
 - trigger on program address, analyzer triggers on wrong event, **118**
 - troubleshooting, **113**
- U**
 - upgrading, **6**
 - user program, **164**
 - user-definable clock module, **65**
- V**
 - ver** (display software version numbers) command, **116**
 - verification of performance, **111-113**
 - verifying installation of memory modules, **112**
 - version, checking terminal interface software version, **116**
- W**
 - warnings, power must be OFF during installation, **11**
 - WE(3-0) memory addressing incorrect, **121-123**
 - Windows interface, **139**

DECLARATION OF CONFORMITY

according to ISO/IEC Guide 22 and EN 45014

Manufacturer's Name: Hewlett-Packard Company

Manufacturer's Address: Colorado Springs Division
1900 Garden of the Gods Road
Colorado Springs, CO 80907 USA

declares, that the product

Product Name: Microprocessor Emulator (HP 64700 Series)

Model Number(s): HP 64780A

Product Option(s): All

conforms to the following Product Specifications:

Safety: IEC 348:1978 / HD 401 S1:1981
UL 1244
CSA-C22.2 No. 231 (Series M-89)

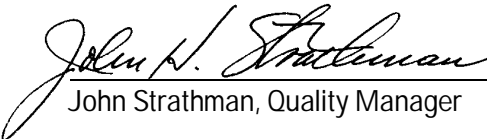
EMC:	CISPR 11:1990 / EN 55011:1991	Group 1 Class A
	IEC 801-2:1991 / EN 50082-1:1992	4 kV CD, 8 kV AD
	IEC 801-3:1984 / EN 50082-1:1992	3 V/m, {1kHz 80% AM, 27-1000 MHz}
	IEC 801-4:1988 / EN 50082-1:1992	0.5 kV Sig. Lines, 1 kV Power Lines

Supplementary Information:

The product herewith complies with the requirements of the Low Voltage Directive 73/23/EEC and the EMC Directive 89/336/EEC.

This product was tested in a typical configuration with Hewlett-Packard test systems.

Colorado Springs, 11/15/93


John Strathman, Quality Manager

European Contact: Your local Hewlett-Packard Sales and Service Office or Hewlett-Packard GmbH, Department ZQ / Standards Europe, Herrenberger Strasse 130, D-71034 Böblingen Germany (FAX: +49-7031-14-3143)

Product Regulations

Safety IEC 348:1978 / HD 401 S1:1981
UL 1244
CSA-C22.2 No.231 (Series M-89)

EMC This Product meets the requirement of the European Communities (EC)
EMC Directive 89/336/EEC.

Emissions EN55011/CISPR 11 (ISM, Group 1, Class A equipment)

Immunity	EN50082-1	Code ¹	Notes ²
	IEC 801-2 (ESD) 8 kV AD	3	A, B, C
	IEC 801-3 (Rad.) 3 V/m	1	C
	IEC 801-4 (EFT) 1 kV	1	C

¹ Performance Codes:

- 1 PASS - Normal operation, no effect.
- 2 PASS - Temporary degradation, self recoverable.
- 3 PASS - Temporary degradation, operator intervention required.
- 4 FAIL - Not recoverable, component damage.

² Notes:

- A Electrostatic discharge (ESD) to the 64700B mainframe may cause degradation in performance requiring operator intervention.
- B The active probe assembly is sensitive to ESD events. Use standard ESD preventive practices to avoid component damage.
- C The CMB and active probe power connectors were not subjected to immunity testing.

Sound Pressure Level Less than 60 dBA

Safety

Summary of Safe Procedures

The following general safety precautions must be observed during all phases of operation, service, and repair of this instrument. Failure to comply with these precautions or with specific warnings elsewhere in this manual violates safety standards of design, manufacture, and intended use of the instrument.

Hewlett-Packard Company assumes no liability for the customer's failure to comply with these requirements.

Ground The Instrument

To minimize shock hazard, the instrument chassis and cabinet must be connected to an electrical ground. The instrument is equipped with a three-conductor ac power cable. The power cable must either be plugged into an approved three-contact electrical outlet. The power jack and mating plug of the power cable meet International Electrotechnical Commission (IEC) safety standards.

Do Not Operate In An Explosive Atmosphere

Do not operate the instrument in the presence of flammable gases or fumes. Operation of any electrical instrument in such an environment constitutes a definite safety hazard.

Keep Away From Live Circuits

Operating personnel must not remove instrument covers. Component replacement and internal adjustments must be made by qualified maintenance personnel. Do not replace components with the power cable connected. Under certain conditions, dangerous voltages may exist even with the power cable removed. To avoid injuries, always disconnect power and discharge circuits before touching them.

Designed to Meet Requirements of IEC Publication 348

This apparatus has been designed and tested in accordance with IEC Publication 348, safety requirements for electronic measuring apparatus, and has been supplied in a safe condition. The present instruction manual contains some information and warnings which have to be followed by the user to ensure safe operation and to retain the apparatus in safe condition.

Do Not Service Or Adjust Alone

Do not attempt internal service or adjustment unless another person, capable of rendering first aid and resuscitation, is present.

Do Not Substitute Parts Or Modify Instrument

Because of the danger of introducing additional hazards, do not install substitute parts or perform any unauthorized modification of the instrument. Return the instrument to a Hewlett-Packard Sales and Service Office for service and repair to ensure that safety features are maintained.

Dangerous Procedure Warnings

Warnings, such as the example below, precede potentially dangerous procedures throughout this manual. Instructions contained in the warnings must be followed.

Warning

Dangerous voltages, capable of causing death, are present in this instrument. Use extreme caution when handling, testing, and adjusting.

Safety Symbols Used In Manuals

The following is a list of general definitions of safety symbols used on equipment or in manuals:



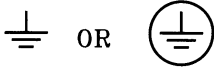
Instruction manual symbol: the product is marked with this symbol when it is necessary for the user to refer to the instruction manual in order to protect against damage to the instrument.



Hot Surface. This symbol means the part or surface is hot and should not be touched.



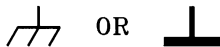
Indicates dangerous voltage (terminals fed from the interior by voltage exceeding 1000 volts must be marked with this symbol).



Protective conductor terminal. For protection against electrical shock in case of a fault. Used with field wiring terminals to indicate the terminal which must be connected to ground before operating the equipment.



Low-noise or noiseless, clean ground (earth) terminal. Used for a signal common, as well as providing protection against electrical shock in case of a fault. A terminal marked with this symbol must be connected to ground in the manner described in the installation (operating) manual before operating the equipment.



Frame or chassis terminal. A connection to the frame (chassis) of the equipment which normally includes all exposed metal structures.



Alternating current (power line).



Direct current (power line).



Alternating or direct current (power line).

Caution

The Caution sign denotes a hazard. It calls your attention to an operating procedure, practice, condition, or similar situation, which, if not correctly performed or adhered to, could result in damage to or destruction of part or all of the product.

Warning

The Warning sign denotes a hazard. It calls your attention to a procedure, practice, condition or the like, which, if not correctly performed, could result in injury or death to personnel.

Certification and Warranty

Certification

Hewlett-Packard Company certifies that this product met its published specifications at the time of shipment from the factory. Hewlett-Packard further certifies that its calibration measurements are traceable to the United States National Bureau of Standards, to the extent allowed by the Bureau's calibration facility, and to the calibration facilities of other International Standards Organization members.

Warranty

This Hewlett-Packard system product is warranted against defects in materials and workmanship for a period of 90 days from date of installation. During the warranty period, HP will, at its option, either repair or replace products which prove to be defective.

Warranty service of this product will be performed at Buyer's facility at no charge within HP service travel areas. Outside HP service travel areas, warranty service will be performed at Buyer's facility only upon HP's prior agreement and Buyer shall pay HP's round trip travel expenses. In all other cases, products must be returned to a service facility designated by HP.

For products returned to HP for warranty service, Buyer shall prepay shipping charges to HP and HP shall pay shipping charges to return the product to Buyer. However, Buyer shall pay all shipping charges, duties, and taxes for products returned to HP from another country. HP warrants that its software and firmware designated by HP for use with an instrument will execute its programming instructions when properly installed on that instrument. HP does not warrant that the operation of the instrument, or software, or firmware will be uninterrupted or error free.

Limitation of Warranty

The foregoing warranty shall not apply to defects resulting from improper or inadequate maintenance by Buyer, Buyer-supplied software or interfacing, unauthorized modification or misuse, operation outside of the environment specifications for the product, or improper site preparation or maintenance.

No other warranty is expressed or implied. HP specifically disclaims the implied warranties of merchantability and fitness for a particular purpose.

Exclusive Remedies

The remedies provided herein are buyer's sole and exclusive remedies. HP shall not be liable for any direct, indirect, special, incidental, or consequential damages, whether based on contract, tort, or any other legal theory.

Product maintenance agreements and other customer assistance agreements are available for Hewlett-Packard products.

For any assistance, contact your nearest Hewlett-Packard Sales and Service Office.