

HEWLETT-PACKARD

Connecting the HP PaintJet Color Graphics Printer to the IBM PC and PC-XT Computer (RS-232-C Interface)



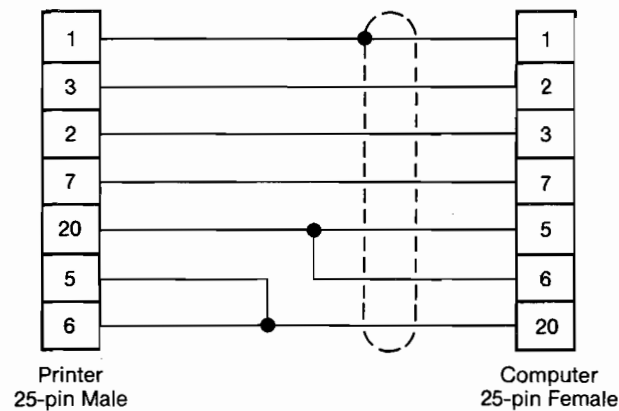
Equipment Required

Computer Equipment

IBM system unit
Graphics monitor (color or B&W)
IBM color/graphics monitor adaptor
Diskette drive and drive adaptor
Asynchronous Communications Adapter
(standard on the IBM PC-XT)

Printer Equipment

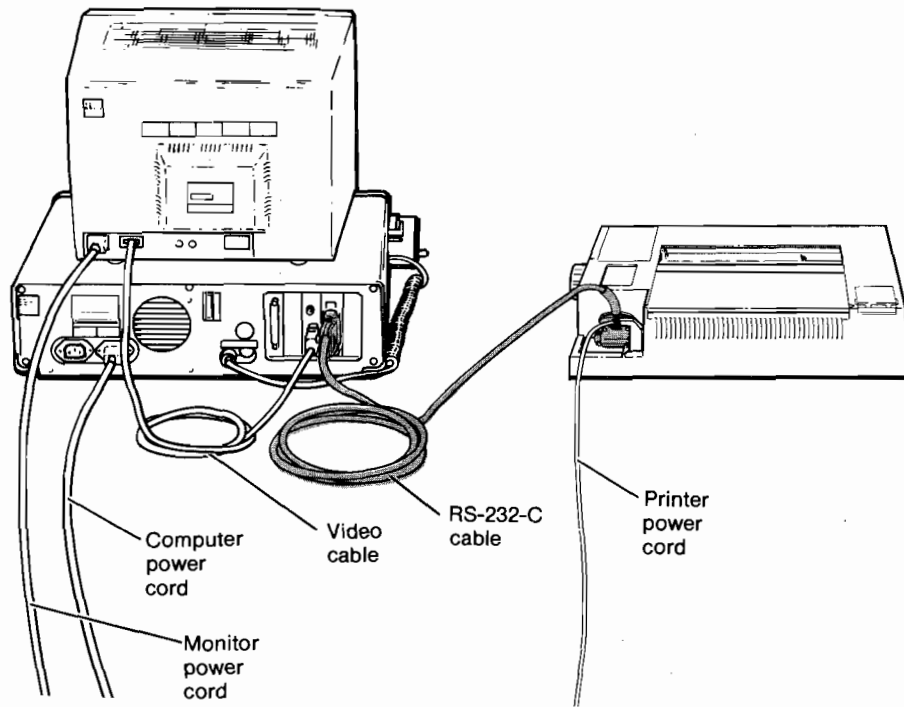
HP PaintJet (RS-232-C)
RS-232-C cable
(HP 17255D or equivalent)



Cable Schematic -- HP 17255D

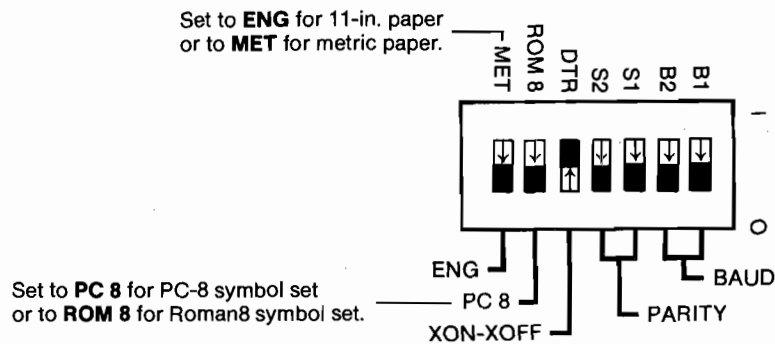
Connecting Your Equipment

1. Your computer must have an Asynchronous Communications Adapter installed. If your computer has two Asynchronous Communications Adapters installed, verify that one adapter is set to COM1 and the other to COM2. (Refer to your computer documentation.) These instructions assume you will be connecting your printer to the COM1 adapter.
2. With your equipment turned off, connect the printer to the computer using the RS-232-C cable as shown in the following illustration.



3. Set the switches on the rear panel of your printer as shown in the following diagram. These settings establish 9600 baud, no parity, and a hardware handshake.

Your printer checks the switch settings only when you turn it on, so be sure the printer is turned off before changing switch settings.



4. Configure your computer system as follows. (Refer to your computer documentation if you have difficulty with this step.).
 - a. Load the operating system. Type `MODE COM1:9600,N,8,1,P` to set the serial port up for 9600 baud, no parity, 8 data bits, and 1 stop bit.
 - b. Type and enter `MODE LPT1:=COM1:` to redirect parallel printer output to the asynchronous communications adapter.

Verifying Communication

1. Make sure that only text (no graphics) appears on your computer screen.
2. Hold down the *Shift* key and press the *PrtSc* key on the computer's keyboard. Any text on the screen will print out.

Any attempt to print graphics without software designed for this purpose will produce unpredictable results.

Verifying Communication with BASIC

Enter and run the following BASIC program. (If you need help doing this, refer to your computer documentation.)

```
10 LPRINT CHR$(27)+"E"           'resets the printer
20 LPRINT "COMMUNICATION OK"
30 LPRINT CHR$(13)               'carriage return
40 LPRINT CHR$(12)               'form feed
50 END
```

Your printer should print COMMUNICATION OK

HP Computer Museum
www.hpmuseum.net

For research and education purposes only.

(11)5954-8783



March 1987