

HEWLETT  PACKARD

**OPERATING AND SERVICE MANUAL**

**HP 59310B  
BUS INPUT/OUTPUT  
INTERFACE KIT**

Manual Part No. 59310-90068

Printed: MAR 1979

Card Assembly: 59310-60101  
Date Code: 1826



# LIST OF EFFECTIVE PAGES

Changed pages are identified by a change number adjacent to the page number. Changed information is indicated by a vertical line in the outer margin of the page. Original pages do not include a change number and are indicated as change number 0 on this page. Insert latest changed pages and destroy superseded pages.

Change 0 (Original) ..... Mar 1979  
All pages are original issue

## NOTICE

The information contained in this document is subject to change without notice.

HEWLETT-PACKARD MAKES NO WARRANTY OF ANY KIND WITH REGARD TO THIS MATERIAL, INCLUDING, BUT NOT LIMITED TO, THE IMPLIED WARRANTIES OF MERCHANTABILITY AND FITNESS FOR A PARTICULAR PURPOSE. Hewlett-Packard shall not be liable for errors contained herein or for incidental or consequential damages in connection with the furnishing, performance or use of this material.

This document contains proprietary information which is protected by copyright. All rights are reserved. No part of this document may be photocopied or reproduced without the prior written consent of Hewlett-Packard Company.

Copyright © 1978 by HEWLETT-PACKARD COMPANY

**Library Index No.  
59310-040-59310-90068**

**HP Computer Museum**  
**[www.hpmuseum.net](http://www.hpmuseum.net)**

**For research and education purposes only.**

# CONTENTS

Section I	Page	Status Word .....	3-6
<b>GENERAL INFORMATION</b>		Status Word Function .....	3-6
Introduction .....	1-1	Inputting the Status Word .....	3-6
Description .....	1-1	Status Word Coding .....	3-7
Identification .....	1-2	Data Output .....	3-9
Equipment Supplied .....	1-2	Data Transfer Capabilities .....	3-9
Specifications .....	1-2	Output Data Types .....	3-9
Software Available .....	1-2	Output Data Registers .....	3-9
Hewlett-Packard Interface Bus Capabilities .....	1-4	To Output Data .....	3-9
Program Code .....	1-4	Output Data Format .....	3-9
Addressing-Talking-Listening-Handshaking .....	1-4	Data Input .....	3-10
Functions of Instruments on the Bus .....	1-4	Data Transfer Capabilities .....	3-10
HP-IB Bus Lines .....	1-5	Input Data Type .....	3-10
Control Lines .....	1-5	Input Word Register .....	3-10
Data Lines (DIO1-8) .....	1-6	To Input Data .....	3-11
Transfer Lines .....	1-6	Input Data Format .....	3-11
Data Transfer .....	1-7	Flags .....	3-12
HP-IB Electrical Characteristics .....	1-9	Flag Organization .....	3-12
HP-IB Physical Characteristics .....	1-9	Main Flag .....	3-12
		End of Record Flag (EOR) .....	3-12
		Output Register Accepted Flag (ORA) .....	3-12
		Input Register Loaded Flag (IRL) .....	3-12
		Interface Clear Flag (IFC) .....	3-12
		Service Request Flag (SRQ) .....	3-12
		Serial Poll Mode Flag (SPM) .....	3-12
		DCPC Output Request Flag .....	3-13
		Machine I/O Instructions Operation .....	3-13
		Difference in Use of I/O Instructions .....	3-13
		STF Instruction .....	3-13
		OTA and OTB Instructions .....	3-13
		LIA, LIB, MIA and MIB Instructions .....	3-13
		SFS and SFC Instructions .....	3-13
		STC and CLC Instructions .....	3-13
		CLF Instructions .....	3-13
		ASCII Mode .....	3-14
		Enabling the ASCII Mode .....	3-14
		Operation When Outputting .....	3-14
		Operation When Inputting .....	3-14
		Section IV	Page
		<b>THEORY OF OPERATION</b>	
		Introduction .....	4-1
		General Theory .....	4-1
		Control Word Processing .....	4-1
		Bus Data Output .....	4-1
		Computer Data Input .....	4-2
		Status Information Input .....	4-2
		Detailed Theory .....	4-2
		Data Input/Output Control .....	4-2
		Control Word Processing .....	4-2
		Computer Data Input .....	4-3
		Status Information Input .....	4-5
		Section V	Page
		<b>MAINTENANCE</b>	
		Introduction .....	5-1
		Troubleshooting .....	5-1
Section II	Page		
<b>INSTALLATION</b>			
Introduction .....	2-1		
Unpacking and Inspection .....	2-1		
Storage and Shipment .....	2-1		
Environment .....	2-1		
Installation .....	2-1		
Power Requirements .....	2-1		
Programming of Hardwired Options .....	2-1		
DIP Switches .....	2-2		
Standard Mode of Operation .....	2-3		
Installing Printed Circuit Board in Computer .....	2-3		
Performance Check .....	2-3		
Interconnecting Cables .....	2-3		
Cabling Length Restrictions .....	2-3		
Cabling Configurations .....	2-3		
Section III	Page		
<b>OPERATION AND PROGRAMMING</b>			
Introduction .....	3-1		
HP Interface (HP-IB) Bus Lines .....	3-1		
Bus Functions Available to Computer .....	3-1		
Listen Functions .....	3-1		
Talk Functions .....	3-1		
Controller Functions .....	3-1		
System Controller Functions .....	3-2		
Communication Forms Between I/O PCA and Computer .....	3-2		
Control Word .....	3-2		
Functions and Modes .....	3-2		
Outputting the Control Word .....	3-4		
Control Word Group 1 Coding .....	3-4		
Control Word Group 2 Coding .....	3-5		
Control Word Group 3 Coding .....	3-6		

# CONTENTS (continued)

Section VI	Page	Section VII	Page
<b>REPLACEABLE PARTS</b>		<b>SCHEMATIC DIAGRAMS</b>	
Introduction .....	6-1	Introduction .....	7-1
Ordering Information .....	6-1	Schematic Diagram Notes .....	7-1
HP Part Number Organization .....	6-3	Identification Markings on PC Boards .....	7-1
Component Parts and Materials .....	6-3	Component Locators .....	7-1

# ILLUSTRATIONS

Title	Page	Title	Page
59310B Bus Input/Output Kit .....	1-1	Output Data Formats .....	3-10
HP-IB Bus Structure .....	1-5	Input Data Formats .....	3-11
Transfer Timing .....	1-8	Simplified Block Diagram .....	4-1
Pin Connections of the HP-IB Cables .....	1-10	Schematic Diagram Notes .....	7-2
Installation Information .....	2-2	59310B Block Diagram .....	7-3
Control Word Format .....	3-3	59310D Simplified Logic Diagram .....	7-5
Status Word Format .....	3-7	59310B Component Locator .....	7-9
		59310B Schematic Diagram .....	7-9

# TABLES

Title	Page	Title	Page
59310B Equipment Supplied .....	1-2	Bus Cables .....	2-3
Specifications .....	1-3	Bus Line Nomenclature .....	3-1
Available Software .....	1-4	ASCII Modes Codes .....	3-14
Relation of ATN and Transfer (Handshake)		Reference Designations and	
Lines (NRFD, NDAC and DAV) .....	1-6	Abbreviations .....	6-1
Summary of Bus Timing .....	1-7	Replaceable Parts .....	6-4
Power Requirements .....	2-1	Manufacturer Code List .....	6-7

# GENERAL INFORMATION

SECTION

I

## 1-1. INTRODUCTION

This section provides general information on the Hewlett-Packard Model 59310B Bus Input/Output Interface Kit shown in figure 1-1. Included in this section are a description of the computer interface, card identification, equipment supplied, specifications and a description of the Hewlett-Packard Interface Bus.

(HP-IB). The HP-IB provides a two-way digital communications structure for one or more instruments with ASCII-compatible interface. Hardware connection of compatible instruments is a matter of plugging them together with the bus cables. Writing software programs for input/output operations to/from the computer is made easier by hardware features on the interface such as packing. Driver and utility subroutines for BCS and RTE (Real-Time Executive) are furnished as options to the 59310B.

## 1-2. DESCRIPTION

The HP 59310B Bus Input/Output Interface Kit interfaces the HP 1000 family of computers to the HP Interface Bus

The interface Printed Circuit Assembly (PCA) makes bus functions available to the computer: listen and talk functions, serial poll identification, controller clearing and



7700-175

Figure 1-1. 59310B Bus Input/Output Kit

four types of interrupt flagging. The 59310B also has parallel poll identification. Data transfers are byte-serial and bit parallel (8-bit bytes) and packing is available. Dual Channel Port Controller (DCPC) can be used for data transfers.

**1-3. IDENTIFICATION**

Printed-circuit assembly revisions are identified by a letter and a series code marked beneath the part number on the PCA. The letter identifies the revision of the etched-trace pattern on the unloaded PCA. The four-digit series code pertains to the electrical characteristics of the loaded PCA and component positions. If the series number does not correspond exactly with the series number on the title page of this manual, the PCA differs from the one described in this manual. These differences are covered in manual supplements available at the nearest HP Sales and Service Office listed at the back of this manual. In addition, there may be a suffix letter, e.g., (a), to indicate a minor circuit change which enhances operation.

**1-4. EQUIPMENT SUPPLIED**

Table 1-1 lists the equipment supplied with the Model 59310B Bus Input/Output Kit. The kit is shown in figure 1-1.

Table 1-1. 59310B Equipment Supplied

DESCRIPTION	STANDARD
Bus I/O PCA (Printed Circuit Assembly)	59310-60101
Cable Assembly	59310-60002
Operating and Service Manual	59310-90068
Note: Diagnostic and Diagnostic Manual supplied with Diagnostic Library. User's Guide supplied with RTE Drivers Package.	

**1-5. SPECIFICATIONS**

Specifications for the 59310B Bus Input/Output card are provided in table 1-2.

**1-6. SOFTWARE AVAILABLE**

Software available for use with the 59310B is listed in table 1-3.

Table 1-2. Specifications

**ELECTRICAL CHARACTERISTICS**

**Bus Signal Lines:** The Bus consists of 16 signal lines as follows:

DIO1	Data Input/Output 1
.	.
.	.
DIO8	Data Input/Output 8
DAV	Data Valid
NRFD	Not Ready for Data
NDAC	Not Data Accepted
IFC	Interface Clear
ATN	Attention
SRQ	Service Request
REN	Remote Enable
EOI	End or Identify

**Logic Levels:** High  $\geq$  2.4V  
Low  $\leq$  0.4V

All signals are Low = True except NRFD and NDAC.

**Line Termination:** Each of the 16 Bus signal lines is terminated with  $3K\Omega$  to Vcc and  $6.2K\Omega$  to logic common. The value of Vcc depends on the particular 2100 series model in which the card is installed. It varies between 4.5 to 5.0V.

**Line Drivers:** The signal lines DIO1 through DIO8, DAV, ATN and EOI are drivers with a circuit having the following characteristics:

**Type:** Tri-State  
**Output Voltage Low State:**  $\leq$  0.4V @ 48 mA  
**Output Voltage High State:**  $\geq$  2.4V @ -40 mA

The signal lines NRFD, NDAC, IFC, REN and SRQ are drivers having the following characteristics:

**Type:** Open Collector  
**Output Voltage Low State:**  $\leq$  0.4V @ 48 mA  
**Output Voltage High State:** Determined by resistor termination  
**Leakage Current High State:**  $\leq$  0.250 mA @ 5.5V

**Line Receivers:** Each of the 16 Bus signal lines is received with a circuit having the following characteristics:

**Type:** Schmitt Trigger  
**Threshold Positive Transition:** 1.5V  
**Threshold Negative Transition:** 1.1V  
**Input Current Low State:** -1.6 mA @ 0.4V  
**Input Current High State:** 0.04 mA @ 2.4V

**Maximum Cable Length:** 2 metres per device connected, 20 metres total.

**Operating Temperature:** 0-55° Celsius

**Power Requirements:** The card requires the following amounts of power from the computer's power supply:

Supply	Maximum Current Acquired
+30	None
+12	None
+5*	3.0A
-2	100 mA
-12	None

\*Value of supply varies from 4.5 to 5.0V depending on model of computer.

**PHYSICAL CHARACTERISTICS**

**Card Dimensions:**

**Width:** 7-3/4 in. (196.8 mm)  
**Height:** 8-11/16 in. (220.7 mm)

**Weight:**

**Net Weight, card and cable:** 4 lb. (1.81 kg)  
**Shipping weight:** 5 lb (1.94 kg)

**Connector:** 48-pin printed circuit board edge connector (cable supplied has standard bus connector on outboard end.)



Table 1-3. Available Software

MANUALS	
PART NO.	DESCRIPTION
59310-90022	Driver Program Procedure (BCS, D.37A/B)
59310-90050	BCS Bus Utility Subroutine
59310-90061	Diagnostic Program Procedure
59310-90063	Real-Time Executive System Driver (DVR37) Programming and Operating
59310-90064	User's Guide
59310-90068	Bus I/O Kit Operating and Service
SOFTWARE, BINARY PUNCHED PAPER TAPES	
59310-60020	BCS Bus I/O Card Driver, non DCPC (D.37A)
59310-60021	BCS Bus I/O Card Driver, DCPC (D.37B)
59310-60050	BCS Bus Utility Library (BLIB)
59310-16001	Bus I/O Card Diagnostic
59310-16002	RTE Bus I/O Card Driver, non-SRQ (DVR37)
59310-16003	RTE Bus I/O Card Driver, SRQ (DVR37)
59310-16004	RTE Bus Utility Library

## 1-7. HEWLETT-PACKARD INTERFACE BUS CAPABILITIES

HP-IB provides the capability of connecting from one to 14 compatible devices to the computer via one interface PCA. Data is transferred over the Bus bidirectionally in 8-bit bytes. Data can be transferred from a device to the computer or from the computer to one or more devices simultaneously or from one to other devices under the direction of the computer.

Some bus features must be used while others are optional. For example, all instruments must be capable of being addressed, but they may or may not be capable of being operated by remote control. A system may have some instruments operating under remote control while other instruments obey their front and rear panel controls (LOCAL). The same pins of all bus connectors of all instruments are connected in parallel making a parallel communication network. This permits information to flow in any direction on the bus and allows any instrument to talk directly with another without going through a central control unit.

## 1-8. PROGRAM CODE

Once a system has been assembled, programming is simplified since almost all HP instruments use the same code set. The seven-bit ASCII code set was selected because of its wide acceptance in the communications and data handling fields. The HP-IB itself can transmit full eight-bit binary data however. All of these features make the job of interconnecting instruments into a system simple. The job has been reduced primarily to programming.

## 1-9. ADDRESSING-TALKING-LISTENING-HANDSHAKING

A technique of addressing is used to determine which instrument is to "talk" and those instruments that are to "listen". Data is sent from one instrument to another one character (byte) at a time using an interlocked "Handshake" technique. This technique assures that the sender does not remove data before the receiver has finished using the data. It also insures that data is not lost when instruments having inherently different speeds communicate on the same bus.

## 1-10. FUNCTIONS OF INSTRUMENTS ON THE BUS

Instruments connected to the bus may function in one or more of the following ways: (They function only after being addressed.)

**TALKER**—Any instrument that is capable of sending or transmitting information on the bus. There can be *only one talker* at a time on the bus.

**LISTENER**—Any instrument that is capable of receiving or accepting information on the bus is a listener. There may be up to 14 listeners at the same time on the bus.

**TALKER-LISTENER**—An instrument has the capability of both sending and receiving information on the bus as defined above is both a talker and a listener. For example: a counter is a talker when sending data to a recorder and it is a listener when it is being programmed.

**CONTROLLER**—Any device that has been programmed to have the responsibility of managing the flow of information between instruments connected to the bus is a controller. It is capable of addressing one of the instruments as a *talker* and one or more as a *listener*. It is a *talker* and may be a *listener*. The HP interface bus permits a system to have more than one controller, but only *one* may be active at any time. (A controller can be contained within the System Controller.)

**SYSTEM-CONTROLLER**—The system designer must designate one instrument as the System Controller at the time the system is configured. This instrument performs

all the functions of a Controller plus it has the ability to gain absolute control of the Bus for programming instrument modes, collecting and processing data, etc.

### 1-11. HP-IB BUS LINES

The HP-IB Bus structure consisting of 16 signal lines is shown in figure 1-2. There are eight additional bus conductors: one ground, one cable shield and six twisted pair commons for six of the signal lines.

All sixteen signal bus lines have been given names and mnemonic acronyms that describe the message being carried on that line. There are three types of lines: Data (8), Transfer (handshake) (3), and Control (management) (5).

#### NOTE

All instruments connected to the bus, including the controller, must conform to these descriptions.

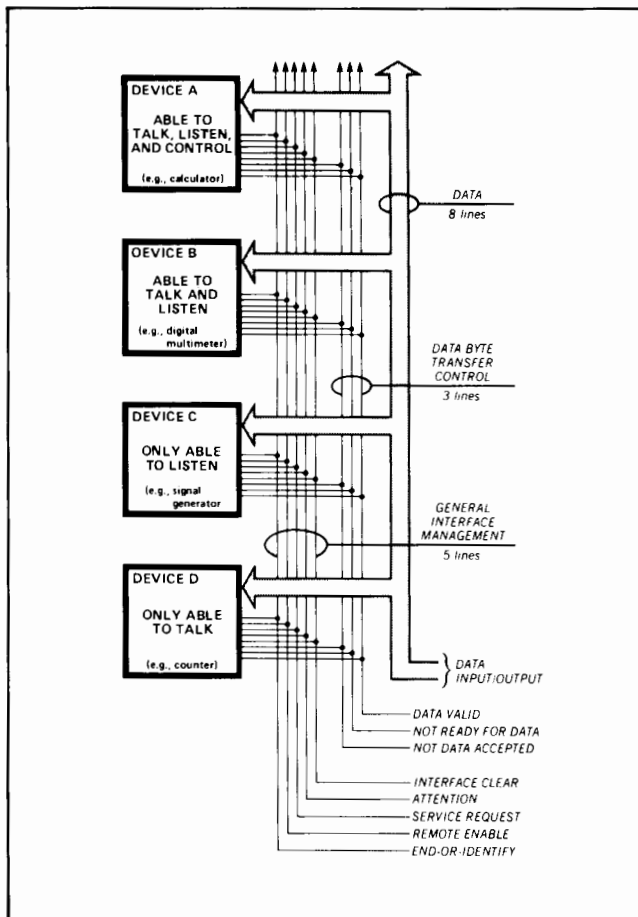


Figure 1-2. HP-IB Bus Structure

### 1-12. CONTROL LINES

The five control lines are used to manage the flow of information over the data and transfer lines. They communicate control and status information between the active controller and instruments connected to the bus. All instruments must use ATN and IFC. An instrument may or may not use REN, SRQ and EOI.

ATN (Attention) is driven by the active controller to place the bus in either the COMMAND (Low) or DATA (High) mode. All other instruments *must* monitor ATN at all times.

When the controller sets ATN to its low state, the bus is in the Command Mode. The primary purpose of the Command Mode is to permit the controller to send commands or address those instruments that are to communicate when the bus is placed in the Data Mode. Also, the controller may send "universal commands" while the bus is in the Command Mode.

When the controller puts ATN to its high state, the bus is in Data Mode. The instrument that was addressed to *talk* and those that were addressed to *listen* will now communicate on the Data Lines.

ATN may be set low or high at any time by a controller, however, it is usually changed at the end of a transfer (handshake) cycle so that data information is not lost. Timing of the transfer lines with respect to ATN is given below under Transfer Lines.

IFC (Interface Clear) is used by the system controller to initialize the bus. Only the system controller can drive IFC and it *must* be monitored by all other units on the bus. When the system controller sets IFC low for at least 100  $\mu$ sec the following takes place: all talkers and listeners are stopped, serial poll mode is disabled, and control is returned to the bus controller. When IFC is high it has no effect on the bus operation. The system controller may set IFC low at any time.

REN (Remote Enable) is one of the conditions for operating instruments under Remote Control. Only instruments capable of Remote operation use REN and they monitor it at all times. Instruments that do not use REN terminate the line in a resistor load. The system controller driver REN may change its state at any time.

SRQ (Service Request) is driven to its low state by an instrument to indicate that it wants the attention of the controller. SRQ may be set low by an instrument at any time except when IFC is in the low state. Only the controller senses SRQ. Some instruments do not use SRQ but terminate it in a resistor load.

EOI (End or Identify) may be used to indicate the end of an instruments character string. When the bus is in the Data Mode (ATN is high), the addressed *talker* may indicate the end of its data setting EOI low at the same time it places the last byte on the Data Lines.

### 1-13. DATA LINES (DIO1-8)

The data lines are used to communicate all data including input, output and program codes, addresses control and status information between instruments connected to the bus. These data are passed one character (byte) at a time (i.e., byte serial and bit parallel) under control of the Transfer Lines. In most instruments these data are based on the 7-bit ASCII code set. Unused data lines terminate in a resistor load.

### 1-14. TRANSFER LINES

The three transfer (handshake) lines are used to execute the transfer of each byte of information on the data lines. All instruments use these lines and employ an interlocked "handshake" technique to pass information. This allows asynchronous data transfer without timing restrictions being placed on any instrument connected to the bus. Transfer of each byte is accomplished at the speed of the slowest instrument. The three transfer lines are: NRFD, NDAC, and DAV.

NRFD (Not Ready for Data) is the transfer (handshake) line that indicates all *listeners* are ready to accept information on the data lines. NRFD is driven by all *listeners* (all instruments when ATN is low and only by those instruments addressed to listen when ATN is high). It is sensed by *talkers*: the controller when ATN is low, and the instrument addressed to talk when ATN is high.

When NRFD is high, all *listeners* are unconditionally ready for data. The *talker* may, at its own time, put a byte of information on the data lines and set DAV low. When NRFD is low, one or more *listeners* are not ready for data.

When the controller sets ATN low, all instruments must set NRFD to its high state within 200 nanoseconds, i.e., if an instrument is "Ready for Data" it places NRFD to its high state and if it is "Not Ready for Data" it sets NRFD to its low state. When the controller sets ATN high, all instruments that have not been addressed to listen will not drive NRFD, those addressed to Listen will set NRFD to its high state within 200 ns.

A listener must not set NRFD low until it senses DAV is low. It may do so before or at the same time that it sets

Table 1-4. Relation of ATN and Transfer (Handshake) Lines (NRFD, NDAC and DAV)

MODE	ATN	NRFD		NDAC		DAV	
		LOW	HIGH	LOW	HIGH	LOW	HIGH
ADDRESS	LOW	One or more units not ready for data	All units ready for data	One or more units have not accepted data	All units have accepted data	Controller has valid data on DIO lines	Controllers data is not valid
		1. Driven by all units except controller 2. Sensed by controller 3. All units set NRFD and NDAC to valid state within 200 nanoseconds after ATN goes LOW				1. Driven by controller 2. Sensed by listeners 3. See DAV above for timing	
DATA	HIGH	One or more listeners not ready for data	All addressed listeners ready for data	One or more listeners have not accepted data	All addressed listeners have accepted the data	The addressed talker has valid data on lines	The addressed talker data is not valid
		1. Driven by all units addressed to listen. 2. Sensed by the unit addressed to talk. 3. All units not addressed will not drive. 4. All addressed listeners set both NRFD and NDAC to valid within 200 nanoseconds after ATN goes HIGH.				1. Driven by the instruments addressed to TALK 2. Sensed by all instruments addressed to LISTEN 3. See DAV above for timing.	

NDAC high. It must not return NRFD high until it senses DAV is high and may do so after, or at the same time that it sets NDAC low.

NDAC (Not Data Accepted) is the transfer line that indicates the acceptance of information on the data lines.

NDAC is driven by all *listeners*. That is, all instruments when ATN is low and only those instruments addressed to listen when ATN is high. It is sensed by *talker* and the controller when ATN is low and by the instrument addressed to talk when ATN is high.

When NDAC is high, all *listeners* have unconditionally accepted the byte of information that is on the data lines and no longer need it. The *talker* may, at its own time set DAV high, remove that byte of information and continue. When NDAC is low, one or more *listeners* has not accepted the information on the data lines.

When the controller sets ATN low, each instrument must set NDAC to its high state within 200 nanoseconds. When the controller sets ATN high, the instruments that have not been addressed to listen will not drive NDAC, those addressed to listen will set NDAC to its true state within 200 nanoseconds.

A *listener* must not set NDAC low until it senses DAV is high. It may do so before or at the same time that it sets NRFD high. It must not return NDAC high until it senses DAV is low and it may do so after or at the same time that it sets NRFD low.

DAV (Data Valid) is the transfer line that indicates the validity of information on the data lines.

DAV is driven by *talkers*: the controller when ATN is low and by the instrument addressed to talk when ATN is high. It is sensed by *listeners* and by all instruments if ATN is low and by those instruments addressed to listen when ATN is high.

When DAV is low, the states of data lines DI01 through DI07 are unconditionally valid and may be accepted by all listeners at their own time. DAV can only be driven low if NRFD and IFC are high. When DAV is high, the information on the data lines is not valid. DAV cannot be set high unless NDAC is high and NRFD is low.

The *talker* has the responsibility of allowing enough time for cable rise time and ringing. It does this with DAV. The controller after placing the bus in the Address Mode (sets ATN low) must wait at least one microsecond before setting DAV low. Of course it must not do so unless NRFD is high. In either the Address or Data Mode, a *talker* designed with open-collector circuits must not set DAV low for at least two microseconds after placing valid data at its output connector. Those designed with tri-state integrated circuits must wait at least 500 nanoseconds.

Table 1-5. Summary of Bus Timing

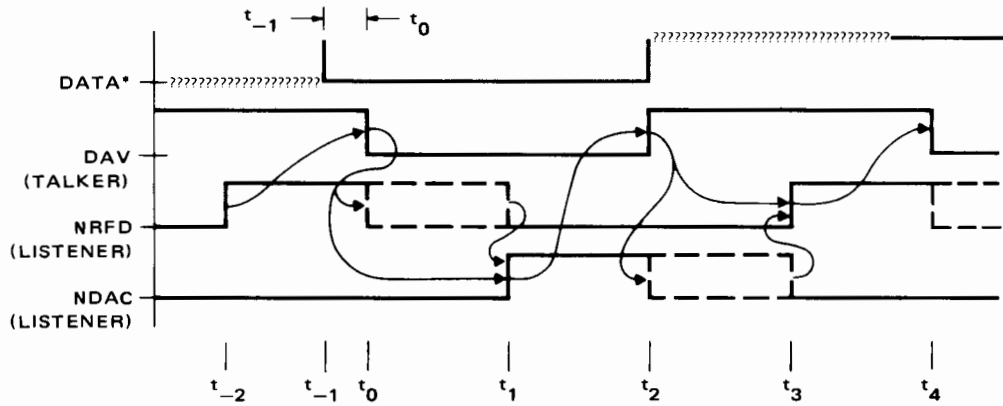
IFC INTERFACE CLEAR	The System Controller must set IFC low for at least 100 microseconds to clear the bus.
TRANSFER LINES WITH RESPECT TO ATN	When sending an Address or a Universal Command the controller may set DAV low only after sensing that NRFD is high, and ATN has been low for at least one microsecond.  When a controller changes ATN from its high to the low state or from low to high, all Listeners (all instruments when ATN is low and those addressed to Listen when ATN is high) put both NRFD and NDAC to their high state in less than 200 nanoseconds.
TRANSFER LINES WITH RESPECT TO THE DATA	After changing the information on one or more Data Lines, the <i>talker</i> (the Controller when ATN is low or the instrument addressed to talk when ATN is high) must wait before setting DAV low. It waits $2 \pm \text{sec}$ if designed with open-collector circuits and 0.5 microsecond if designed with tri-state integrated circuits.

## 1-15. DATA TRANSFER

Transfer of data on the bus is asynchronous. It places no restrictions on the data rates of instruments connected to the bus. The timing and levels required to transfer a byte of information on the data lines are shown in figure 1-3. Transfer is under the control of three lines DAV, NRFD and NDAC. The *talker* (sender of data) drives the Data Lines and DAV (Data Valid) and the *listeners* (acceptors of data) drive both NRFD (Not Ready for Data) and NDAC (Not Data Accepted).

The transfer of a byte or data is initiated by all *listeners* signifying they are ready for data by setting NRFD high. When the *talker* recognizes NRFD is high and has placed valid data on the data lines it sets DAV low. When the *listener* senses that DAV is low and have finished using the data, they set NDAC high. Notice that the assertive or action state of both NRFD and NDAC is high. Since all

SEQUENTIAL REQUIREMENTS OF THE THREE WIRE TRANSFER



EVENTS

- $t_{-2}$  : Listener becomes ready to accept data.
- $t_{-1}$  : Talker has put data on the lines.
- $t_0$  : Indicates data is valid.
- $t_1$  : Listener has accepted the data and no longer requires it held valid.
- $t_2$  : Talker indicates the data is no longer valid and may change it.
- $t_3$  : Listener indicates it is ready for new data.
- $t_4$  : A new cycle begins (equivalent to  $t_0$ ).
- $t_{-1}$  to  $t_0$  : Time that data is put on lines before DAV is set low.

\*A composite of the DIO1 through DIO7 lines for illustrative purposes.  
 (The curved lines indicate interlocked signal sequence.)

Figure 1-3. Transfer Timing

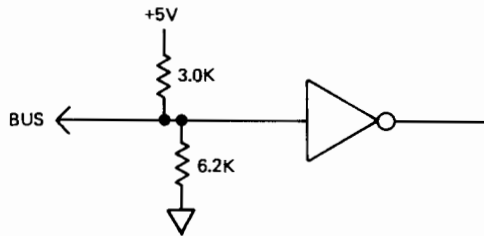
instruments on the bus have their corresponding lines connected together (e.g. NRFD), all *listeners* must be in a high state before that line goes high. This wire-AND situation allows a *talker* to recognize when the slowest listener has accepted a byte of data and is ready for the next byte.

Figure 1-3 also shows the timing of the transition to the non-assertive state of these lines. A *listener* may set NRFD low as soon as it recognizes that DAV has been set low and must do so before or at the same time it puts NDAC high. The *talker* may return DAV to its high state after it detects that NDAC is high. A *listener* may set NDAC low as soon as it recognizes that DAV is high and must do so before or at the same time it places NRFD in its high state.

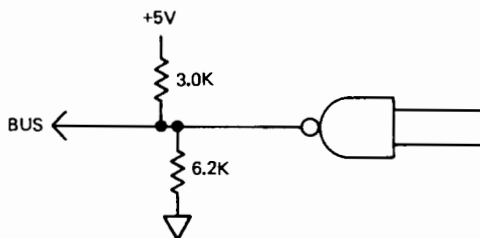
### 1-16. HP-IB ELECTRICAL CHARACTERISTICS

All 16 bus lines are designed to be compatible with TTL or DTL integrated circuits. Because wire-ANDING is used on some lines the line drivers must be either open collector or tri-state. Each line in every instrument is terminated in a resistor divider consisting of a 3KΩ connected to 5V and a 6.2KΩ connected to ground. Typically receivers are hex inverters and the drivers are open collector NAND gates. These may be put into four groups:

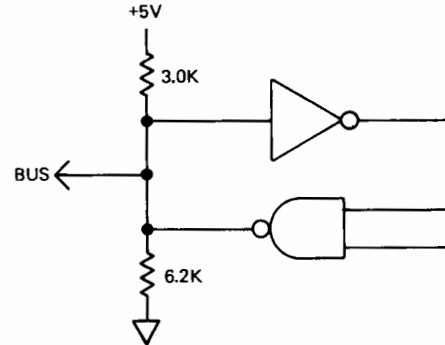
- a. Receivers only: They require -3.2 mA max. at 0.4V drive (A Standard Load).



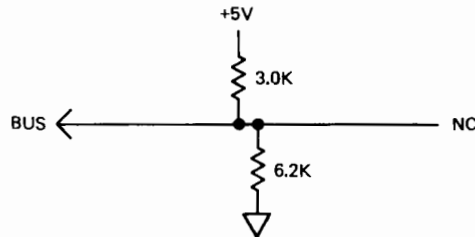
- b. Senders only: They are capable of sinking 45 mA at +0.4V (A Standard Driver).



- c. Bi-directional Lines: They are a combination of the above, i.e., when a *talker*, capable of sinking 45 mA at 0.4V. When a *listener*, requires -3.2 mA at 0.4V to drive. Examples are the Data Lines (DIO1 through DIO7 for instruments using the ASCII code) and the handshake lines (NRFD, NDAC and DAV).



- d. Lines not used by an instrument are connected to a 3.0KΩ resistor to +5V, and 6.2KΩ resistor to signal ground (a Standard Termination). For example, DIO8 for instruments using the ASCII code or those not using REN, SRQ or EOI.



### 1-17. HP-IB PHYSICAL CHARACTERISTICS

Bus cables are available for connecting instruments into a system. These have one overall shield to reduce susceptibility to external noise. The cables use a mixture of individual wires and twisted pairs to reduce crosstalk. Both ends are identical. They are terminated in two 24-pin piggy back connectors; one male and one female. Pin connections of these connectors are shown in figure 1-4.

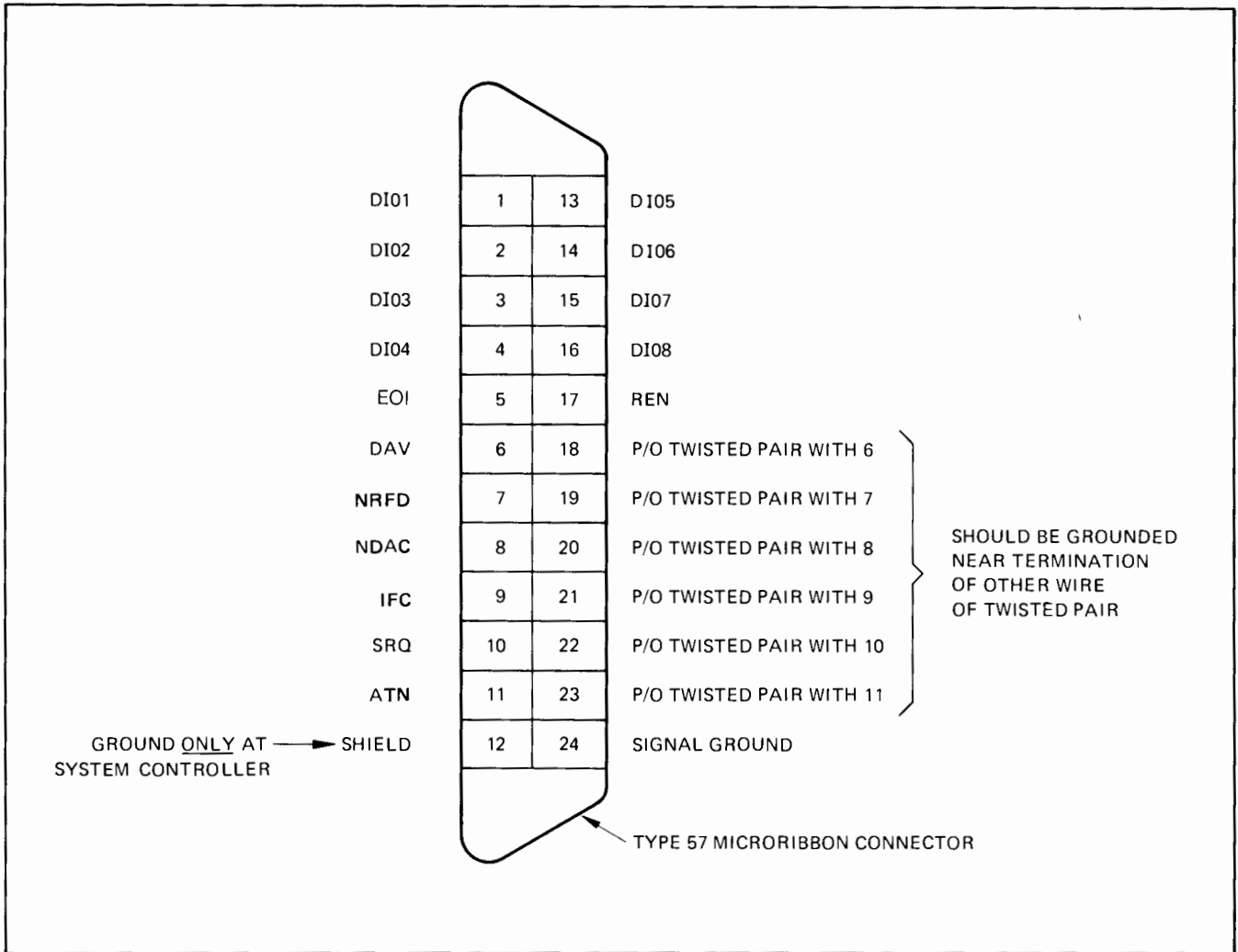


Figure 1-4. Pin Connections of the HP-IB Cables

## 2-1. INTRODUCTION

This section contains information for unpacking, inspection, repacking, storage, and installation. Information on the performance check and interconnecting cables is also included.

## 2-2. UNPACKING AND INSPECTION

If the shipping carton is damaged, ask that the carrier's agent be present when the carton is opened. Inspect the components for damage. If there is physical damage or the interface fails to meet electrical specifications, notify the carrier and the nearest Hewlett-Packard Sales and Service Office immediately (offices are listed at the back of this manual). Retain the shipping carton and padding material for the carrier's inspection. The sales and service office will arrange for the repair or replacement of your Bus I/O Interface Kit without waiting for the claim against the carrier to be settled.

## 2-3. STORAGE AND SHIPMENT

To protect the Bus Input/Output PCA (Printed Circuit Assembly) during storage or shipment, good commercial packing methods should be used. Reliable commercial packing and shipping companies have the facilities and materials to adequately repack an instrument.

### NOTE

Before returning any product or component to Hewlett-Packard, contact the nearest Hewlett-Packard Sales and Service Office for instructions

## 2-4. ENVIRONMENT

Conditions during storage and shipment should normally be limited as follows:

- Maximum altitude: 25,000 feet.
- Minimum temperature:  $-40^{\circ}\text{F}$  ( $-40^{\circ}\text{C}$ ).
- Maximum temperature:  $+167^{\circ}\text{F}$  ( $+75^{\circ}\text{C}$ ).

## 2-5. INSTALLATION

The following steps are suggested for preparing and installing the Bus Input/Output PCA into the computer:

- Determine that the computer has sufficient power to support the addition of the Bus Input/Output PCA. (Refer to paragraph 2-6.)
- Set up the hardwired options on the PCA using switches or jumpers for desired system functions. (Refer to paragraph 2-7.)
- Install printed circuit board assembly in computer. (Refer to paragraph 2-10.)
- Verify proper operation using the Diagnostic Program. (Refer to paragraph 2-11.)
- Interconnect system observing cabling restrictions. (Refer to paragraph 2-13.)

## 2-6. POWER REQUIREMENTS

Before installing the Bus Input/Output PCA in the computer, determine that the additional power consumed will not overload the computer power supply. The power required by the PCA is given in table 2-1.

Table 2-1. Power Requirements

SUPPLY VOLTAGE	MAX. CURRENT REQUIRED
+30	None
+12	None
+5*	3.0 A
-2	100 mA
-12	None

\*Nominal value of voltage can vary between 4.5 to 5.0 volts depending on the computer model.

## 2-7. PROGRAMMING OF HARDWIRED OPTIONS

Before installing the Bus I/O PCA in the computer, several "options" must be programmed for the desired user application and system function by use of DIP switches.



The DIP switches allow easy changing of the card's function to accommodate changing system requirements.

The hardwired programmable functions of the PCA are as follows:

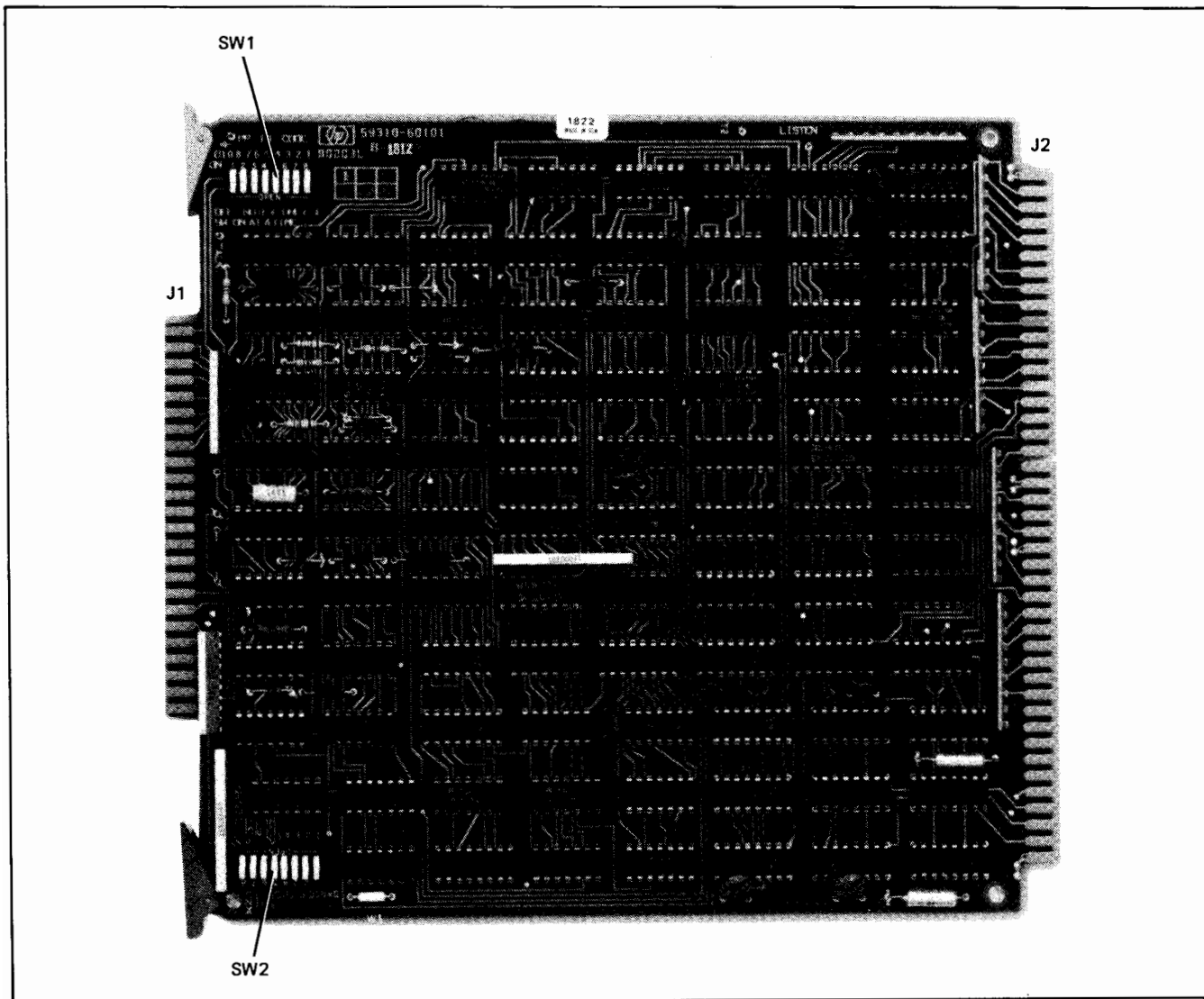
- a. **BUS ADDRESS, 5 4 3 2 1:** Defines the lower five bits of the Talk and Listen addresses that the PCA will recognize as its own. The value set on the switches of DIP switch 2 must be between 00 000 (0<sub>8</sub>) and 11 110 (36<sub>8</sub>). Address 37<sub>8</sub> is reserved for the Unlisten and Untalk addresses. (Located on DIP switch 2.)
- b. **REN:** When ON (switch open), enables the PCA to drive the BUS signal line REN. When OFF, disables the PCA from driving the BUS signal line REN. (Located on DIP switch 2.)
- c. **IFC:** When the switch is set to ON (switch open), enables the PCA to drive the BUS signal line IFC. When the switch is set to OFF, disables the PCA from driving the BUS signal line IFC. (Located on DIP switch 2.)

- d. **SHIELD:** When the switch is set to CNX, connects the shield in the bus cable to the logic circuit common. When the switch is set to DNX, disconnects the shield in the bus cable from the PCA's common. It should be set to CNX (closed). (Located on DIP switch 2.)
- e. **PP ID CODE:** Defines the code that the PCA will send in response to a Parallel Poll. Setting the switch to ON will cause the PCA to use the DIO signal line specified to be used. (Located on DIP switch 1.)

### 2-8. DIP SWITCHES

There are two DIP switches located in the upper left and lower left of the printed circuit board. See figure 2-1.

The upper left hand location (SW1) defines the identification code to be used by the card in response to a parallel poll. The lower left hand location (SW2) defines the BUS ADDRESS, REN and IFC enables, and the SHIELD connection.



7700-174

Figure 2-1. Installation Information

Select the switch positions of each DIP switch according to the functions desired as described in paragraph 2-7. The arrows associated with the labeling on the printed circuit board indicate which side of the rocker is to be depressed to cause the indicated effect. A closed switch is logical 0 and an open switch is logical 1.

**2-9. STANDARD MODE OF OPERATION**

The normal use of the Bus I/O PCA is the System Controller function. This requires the switches to be set.

Set DIP switch 1 (upper left) as follows:

- a. PP ID CODE: to all OFF (all open)

Set DIP switch 2 (lower left) as follows:

- a. BUS ADDRESS: sw no. 5 4 3 2 1  
state 0 0 0 0 0 (00<sub>8</sub>) (all closed)
- b. REN (sw. no. 6): to ON (open)
- c. IFC (sw. no. 7): to ON (open)
- d. SHIELD (sw. no. 8): to CNX (closed)

**NOTE**

The BUS Address may be set to any value between 00 000 (0<sub>8</sub>) and 11 110 (36<sub>8</sub>). The value 00 is the preferred address for the computer when it is used as the system controller.

**2-10. INSTALLING PRINTED CIRCUIT BOARD IN THE COMPUTER**

After having selected hardwired options, the BUS I/O PCA may then be installed in the computer as follows:

- a. Set the computer's power to OFF.
- b. Insert the PCA into one of the available I/O slots of the computer. (Since the location and position will vary depending on the model of computer, refer to the computer manual for details.)

**2-11. PERFORMANCE CHECK**

To verify proper operation of the BUS I/O Interface run the diagnostic program as described in the *59310A/B Bus Input/Output Card Diagnostic Manual* (part no. 59310-90061).


**2-12. INTERCONNECTING CABLES**

Supplied with the BUS I/O Kit is a 4 metre cable (59310-60002) which contains a printed circuit board edge con-

necter at one end and a piggy-back connector at the other end. The printed circuit board edge connector end is connected to the BUS I/O PCA J1. The end of the connector opposite from the cable must be installed so it is closest to the extractor labeled "BUS INPUT/OUTPUT".

The piggy-back connector end is connected to the peripheral device. Other devices may be added to the bus by use of the standard bus cable (not supplied), listed in table 2-2.

Table 2-2. Bus Cables

LENGTH	ACCESSORY NUMBER
1 metre	 10631A
2 metres	10631B
4 metres	10631C
0.5 metres	10631D

**2-13. CABLING LENGTH RESTRICTIONS**

In order to ensure proper operation of the bus, two rules must be observed regarding the total *length* of bus cables when they are connected together. These are:

- a. The total length of cable permitted to be used with one Bus I/O PCA must be less than or equal to two metres times the number of devices connected together. (The Bus I/O PCA is counted as one device.)
- b. The total maximum length of cable must not exceed 20 metres.

Rule (a.) implies that there may be up to 4 metres of cable between the first two devices (2 units × 2 m./device = 4 m.). Additional units may be added using 2 metre cables up to a total of 10 units (10 units × 2 m./device = 20 metres); e.g., using one 4-metre and eight 2-metre cables (4 + (8 × 2) = 20). If more than ten devices are to be connected together, cables shorter than two metres must be used between some of the devices. For example, 15 devices can be connected together using one 4-metre and thirteen one-metre cables 4 + (13 × 1) = 17. Other combinations may be used as long as both of the requirements of rule (a.) and (b.) are met. In making calculations, remember to count the Bus I/O PCA as one device.

**2-14. CABLING CONFIGURATIONS**

There are no restrictions to the ways cables may be connected together. However, it is recommended that no more than 3 to 4 piggy-back connectors be stacked together on one device. The resulting structure can exert great force on the panels of the device where the connector is mounted and could cause mechanical damage.

The configuration may be linear (all cables connected end to end) or in a star (all cables branching out from a central point) or any combination of the above.



# OPERATION AND PROGRAMMING

SECTION

III

## 3-1. INTRODUCTION

This section explains the operation and programming of the 59310B Bus I/O PCA (Printed Circuit Assembly) in table 3-1.

## 3-2. HP INTERFACE (HP-IB) BUS LINES

The HP-IB has 24 lines with 16 signals. The bus lines and changes are listed in table 3-1.

Table 3-1. Bus Line Nomenclature

ABBREVIATION	NAME	ABBREVIATION	NAME
DIO1		NRFD	Not Ready for Data
DIO2			
DIO3	Data Input		
DIO4	Output	NDAC	Not Data Accepted
DIO5	1 thru 8		
DIO6			
DIO7		IFC	Interface Clear
DIO8			
DAV	Data Valid	SRQ	Service Request
		ATN	Attention
		EIO	End or Identify
		REN	Remote Enable
			Common (Ground)

## 3-3. BUS FUNCTIONS AVAILABLE TO THE COMPUTER

Several functions on the HP-IB are usable by the computer. These functions are described in the following paragraphs.

### 3-4. LISTEN FUNCTIONS

The computer can input data from the bus when addressed. The listen functions include the following capabilities.

**Addressable Listen:** The PCA becomes addressed to Listen when a controller sends its Listen Address.

**Programmable Listen:** The PCA becomes addressed to Listen by the computer via software control.

**End of Record Detection:** An End of Record (EOR) Flag will be set if the card is addressed to Listen and is receiving data and the EOI line goes "low". In addition, if enabled by software control, an ASCII Line Feed (012<sub>8</sub>) on the data lines will also set the EOR Flag. The EOR Flag can be tested by software or used to generate an interrupt.

**Service Requesting:** If enabled by software control and not addressed to Listen and ready to receive data, the PCA will generate a Service Request (SRQ).

### 3-5. TALK FUNCTIONS

The computer can output data to the bus when addressed. The talk functions include the following capabilities:

**Addressable Talk:** The PCA becomes addressed to Talk when a controller sends its Talk Address.

**Programmable Talk:** The PCA becomes addressed to Talk by the computer via software control.

**End of Record Signaling:** The computer can set EOI Low with the last byte or after the last byte indicating that End of Record has occurred. If enabled by program control, EOI will be set Low if an ASCII Line Feed (012<sub>8</sub>) is output.

**Service Requesting:** If enabled by software control and not addressed to talk and ready to send data, the Bus I/O PCA will generate a Service Request (SRQ).

**Serial Poll Identification:** Allows the computer to respond to a controller making a serial poll. The controller sending the "serial poll enable" command will set the "serial poll mode" flag which may be tested via software or used to cause an interrupt. The computer may then send its status byte to the controller when addressed to Talk.

### 3-6. CONTROLLER FUNCTIONS

The computer can manage the activities on the bus by sending addresses and universal commands. The computer can only perform this role if its active status is set. (A controller becomes "active" if designated by another controller or if a system controller and it activates itself.) The controller functions include the following capabilities:

**Addressing and Universal Commands:** The computer sets ATN Low via program control and sends address or commands to devices in the bus.

**Service Request Processing:** The computer can monitor for the Service Request (SRQ) line or enable it to cause an interrupt to determine if a device on the bus is requesting service.

**Serial Polling:** Allows the computer to determine the device(s) that have caused a Service Request. A serial poll is executed via software by sending universal commands and addresses and using the Listen Mode.

**Parallel Polling:** Allows the computer to determine the device(s) needing service by sending one universal command to all devices and reading the status bits returned on the data lines. If jumper W1 is installed a Parallel Poll response causes a computer interrupt.

### 3-7. SYSTEM CONTROLLER FUNCTIONS

The PCA as a System Controller performs all of the functions of a controller including the following additional capabilities:

**Interface Clear:** Allows the computer to utilize the bus or regain control by setting the bus signal line Interface Clear (IFC) "low".

**Remote Enable Control:** Allows the computer to enable programmable devices to switch from local to remote control by setting the bus signal line Remote Enable (REN) "low".

**Automatic Activation of Controller Functions:** The Bus I/O PCA automatically becomes the Active Controller when powered up or if it sets IFC "low".

### 3-8. COMMUNICATION FORMS BETWEEN THE I/O PCA AND COMPUTER

The information that can be transferred between the computer and the Bus I/O PCA under program control takes five forms. These include four data types which can be passed between the A/B registers and the PCA's registers. They are: (1) the Control Word, which establishes the I/O card's operating mode, (2) the Status Word which provides information about the condition of the card and the Bus, (3) Output Data, which is transmitted from the computer to the bus and (4) Input Data which is received from the bus. Input Data and Output Data may also be transferred under DCPC control. These are discussed in detail in paragraphs 3-19 to 3-30.

3-2

The fifth type of communication from the PCA is the flags. There are eight flags, of which seven can be tested by program instructions and one is used with DCPC. Operation of the flags is discussed in paragraphs 3-31 to 3-40. Operations under program control are controlled by use of the various computer I/O instructions.

### 3-9. CONTROL WORD

The control word is a 16 bit word (see figure 3-1) which is output to the I/O PCA under program control. It is divided into three parts referred to as Group 1, 2 and 3. Group 2 is further divided into two sub-groups, Group 2A and 2B. The effect on the I/O PCA of each group is independent from the other groups. Each group may be used individually or in combinations.

### 3-10. FUNCTIONS AND MODES

The control word is used to select the operating modes and bus functions that the PCA is to perform.

The operating modes controllable with the control word are as follows:

1. Flag selection for interrupt or by testing with the SFS or SFC instructions
2. Packaging enable/disable
3. DCPC input or output flag selection
4. Service Request enable/disable
5. ASCII Mode enable/disable
6. Forced input of data (without a handshake cycle)
7. Initialize flags

The Bus functions controllable with the Control Word are as follows:

1. Remote/Local
2. Active/Inactive Controller Function
3. Enable talker function/disable
4. Enable listener function/disable
5. Controller functions
  - a. Data Mode/Command Mode Select
  - b. Parallel Poll

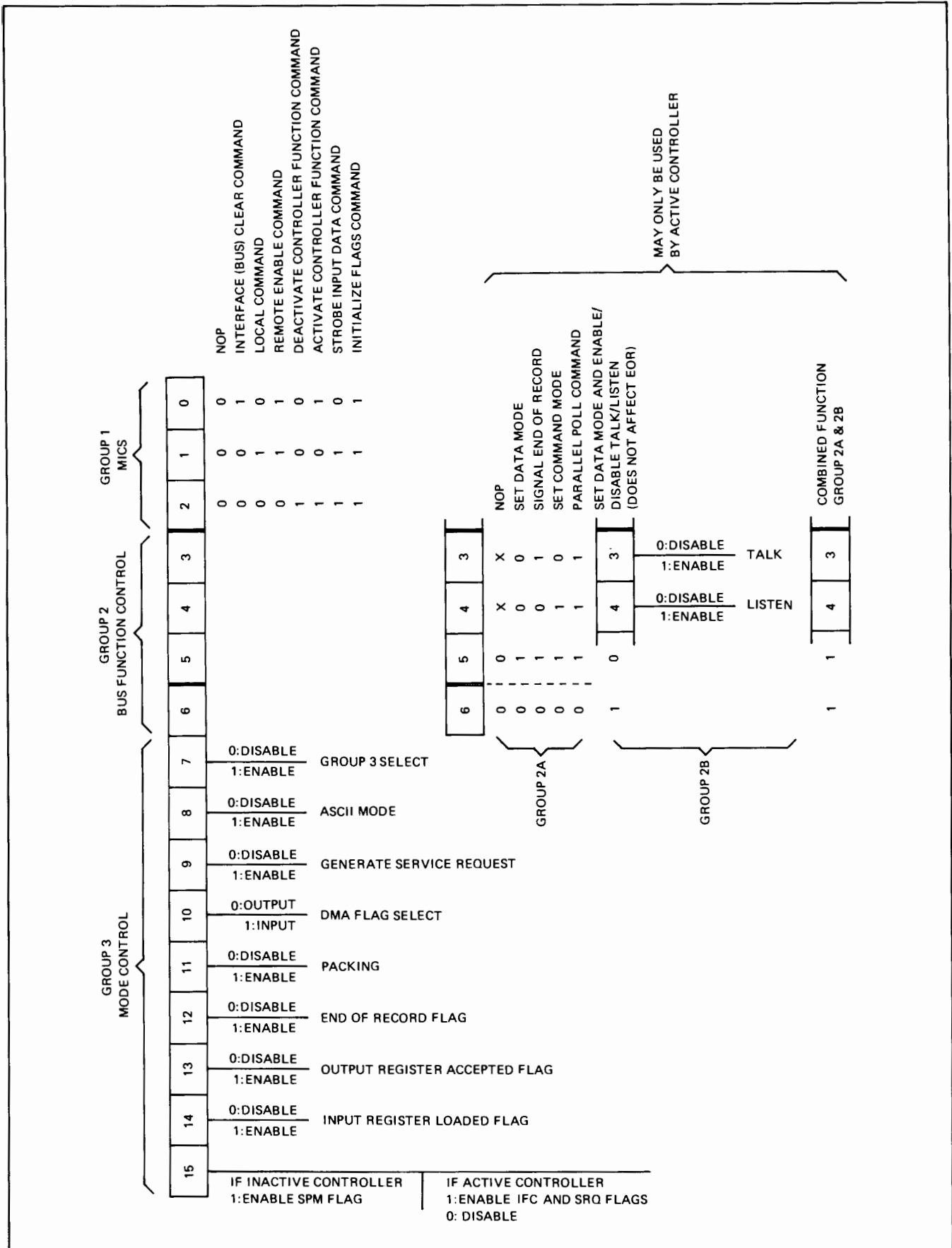


Figure 3-1. Control Word Format

### 3-11. OUTPUTTING THE CONTROL WORD

The control word is output to Bus I/O Interface PCA by the following sequence of instructions:

```

LDA CTLWD
STF SC
OTA SC

```

```

CTLWD OCT <value>
SC EQU <select code of BUS I/O card>

```

Do not include a NOP instruction in this program sequence as this will cause errors on the I/O bus. The value of the control word is a function of the desired operating mode of the I/O PCA and bus functions.

### 3-12. CONTROL WORD GROUP 1 CODING

Group 1 of the control word consists of seven coded commands using bits 0 thru 2. The commands of group 1 control the following: IFC one-shot, remote enable flip-flop, and active flip-flop. The active flip-flop forces an input cycle and initializes certain I/O control and flag flip-flops. The coding and function of each of the commands is as follows:

B		B	
I		I	
T		T	
2	1	0	FUNCTION/OPERATION
0	0	0	NO OPERATION (NOP)
			Does not affect the I/O PCA or the bus.

B		B	
I		I	
T		T	
2	1	0	FUNCTION/OPERATION
0	0	1	INTERFACE CLEAR (IFC) COMMAND
			Causes the IFC one-shot to be triggered. This sets the bus signal line IFC (Interface Clear) "low" for 100 μsec which un-addresses all Talkers and Listeners, clears the Serial Poll Mode and deactivates all other controllers.

0	1	0	LOCAL COMMAND
			Causes the remote enable flip-flop to be cleared which causes the bus signal line Remote Enable (REN) to be set high.

This causes all devices, with the possible exception of source devices (i.e., power supplies), to switch to local control, and the local lock out state to be cleared.

0	1	1	REMOTE ENABLE COMMAND
			Causes the remote enable flip-flop to be set which causes the bus signal line Remote Enable (REN) to be set "low". This enables all devices on the bus to switch to remote control when addressed to Listen to their remote programming codes.

1	0	0	DEACTIVATE CONTROLLER FUNCTION COMMAND
			Causes the active flip-flop to be cleared. In this state, the I/O PCA (and thus the computer) can not perform any of the functions of a controller.

1	0	1	ACTIVATE CONTROLLER FUNCTION COMMAND
			Causes the active flip-flop to be set. Only if the I/O PCA is in this state may it perform the bus functions of a controller.

1	1	0	STROBE INPUT DATA COMMAND
			Causes the contents of the bus data lines at the time of execution to be strobed into the input data register irrespective of the state of the handshake lines or whether the card is addressed to Listen or not. The data will go into the upper or lower half of the input data register as a function of the state of the input byte counter. The input byte counter will be toggled and the input register loaded FF set if appropriate.

1	1	1	INITIALIZE FLAGS COMMAND
			Affects several flags associated with the transfer of data in and out as follows:

1. Causes the flip-flop for Output Register Loaded and Output Byte Register Loaded (ORA FF) to be cleared. This initializes the output handshake logic for subsequent output operations and/or terminates an output cycle in progress.
2. Initialized the output byte counter to byte 0 (upper half) so that data output using packing always starts with the upper half word.
3. Causes the DCPC output request flip-flop to be set so that the first DCPC Output cycle will be requested when DCPC is enabled.

4. Causes the "ready for data" flip-flop to be cleared which will set the bus signal line NRFD (Not Ready for Data) "low" if the card is addressed to Listen. This indicates to the Talker device that the card is not able to accept data yet.

0 1 1 1 PARALLEL POLL COMMAND  
Sets the ATN and EOI flip-flops which sets the bus signal lines ATN and EOI "low". This initiates a parallel poll. Devices so equipped, respond on a preassigned data line.

**3-13. CONTROL WORD GROUP 2 CODING**

Group 2 of the Control Word consists of two sub-groups which control two functions each using bits 3 through 6. Group 2A is used to control the controller functions and Group 2B to control the talker/listener functions. The two sub-groups may be used independently or in combination. Bits 4 and 5 are used to select Groups 2A and 2B respectively and bits 3 and 4 to control the functions of each sub-group. Group 2 coding and functions are as follows:

B I T 6 5 4 3 FUNCTION/OPERATION  
GROUP 2B FUNCTIONS

Accesses Talk and Listen flip-flops. All Group 2B codes cause the data mode to be set simultaneously (i.e., the ATN FF is cleared).

B I T 6 5 4 3 FUNCTION/OPERATION  
0 0 X X NO OPERATION (NOP)

1 0 0 0 DISABLE LISTEN AND DISABLE TALK FUNCTIONS

Does not affect the I/O PCA or the bus.

Clears both the Talk and Listen flip-flops which prevents the I/O PCA from transmitting or receiving data.

0 1 — — GROUP 2A FUNCTIONS  
Accesses ATN and EOI FF's.

1 0 0 1 DISABLE LISTEN AND ENABLE TALK FUNCTIONS

0 1 0 0 SET DATA MODE  
Causes the ATN (Attention) and the EOI (End of Identify) Flip-Flops to be cleared which puts the bus into the data mode so that the Talker and Listener(s) may transmit data.

1 0 1 0 ENABLE LISTEN AND DISABLE TALK FUNCTIONS

Sets the Listen flip-flop and clears the Talk flip-flop, thereby enabling the PCA to receive data from the bus.

0 1 0 1 SIGNAL END OF RECORD  
Clears the ATN and sets the EOI Flip-Flops which sets the bus signal line EOI (End or Identify) "low" if addressed to Talk. This indicates that the next byte sent as a Talker is the last in the string.

1 0 1 1 ENABLE LISTEN AND ENABLE TALK

Sets both the Talk and Listen flip-flops, allowing the PCA to send data to itself. This is generally useful only for diagnostic purposes.

0 1 1 0 SET COMMAND MODE  
Sets the ATN and clears the EOI Flip-Flops which sets the Bus signal line ATN "low" and EOI "high". This puts the bus into the command mode which enables the computer to send commands and addresses.

1 1 — — COMBINED ACTION OF GROUPS 2A & 2B

Both the functions indicated by bit 3 and 4 in Groups 2A and 2B will be performed.



**3-14. CONTROL WORD GROUP 3 CODING**

Group 3 of the control word consists of eight mode control functions coded with one bit per function using bits 8 through 15. Bit 7 enables or disables the effect of the other bits in the group. Group 3 coding and functions are as follows:

Bit 7	<p><b>GROUP 3 SELECT</b></p> <p>When Bit 7 = 1, enables bits 8 through 15 to control their specified functions.</p> <p>When Bit 7 = 0, disables bits 8 through 15 from having any effect in controlling their designated functions.</p>
Bit 8	<p><b>ASCII MODE ENABLE</b></p> <p>When Bit 7 = 1, enables the ASCII mode logic (see paragraph 3-122 for details of the operation of the ASCII Mode.)</p> <p>When Bit 7 = 0, disables the ASCII Mode.</p>
Bit 9	<p><b>GENERATE SERVICE REQUEST ENABLE</b></p> <p>When Bit 9 = 1, enables the bus I/O PCA to generate a Service Request (set the Bus signal line SRQ "low") if:</p> <p>1(a). The Talk flip-flop is clear and (b) the Output Byte Register flip-flop is set.</p> <p>2(b). The Listen flip-flop is clear and (b) the NRFD flip-flop is set.</p> <p>When bit 9 = 0, the PCA is disabled from driving the SRQ line (it is set to OFF).</p>
Bit 10	<p><b>DCPC FLAG SELECT</b></p> <p>Selects which flag is to be used to request a DCPC cycle.</p> <p>When Bit 10 = 0, the DCPC output request flag is selected.</p> <p>When Bit 10 = 1, the input register loaded flag is selected.</p>

Bit 11	<p><b>PACKING ENABLE</b></p> <p>When Bit 11 = 1, enables the packing and unpacking logic for both input and output.</p> <p>When Bit 11 = 0, disables the packing logic.</p>
Bits 12-15	<p><b>FLAG SOURCE SELECT</b></p> <p>Selects which flags can be tested by the SFS or SFC instructions or can be used to cause an interrupt.</p>
Bit 12	<p>Enables the end-of-record flag.</p>
Bit 13	<p>Enables the output register accepted flag.</p>
Bit 14	<p>Enables the input register loaded flag.</p>
Bit 15	<p>If the active flip-flop is set, enables the bus clear as Service Request Flag (SRQ).</p> <p>If the active flip-flop is clear, enables Serial Poll Mode Flag.</p>

**3-15. STATUS WORD**

The status word is a 16 bit word (see figure 3-2) which is input under program control to obtain information about the operating conditions of the Bus I/O Interface PCA and the bus.

**3-16. STATUS WORD FUNCTION**

With the status word, the following can be determined:

1. Which one or more of the six flags have occurred (EOR, ORA, IRC, IFC, SRQ, SPM).
2. The states of five of the bus signal lines (REN, ATN, DAV, NRFD and NDAC).
3. Which of the three bus interface functions the I/O card is currently enabled to perform (Talk, Listen, Active Controller).
4. The highest priority response to a parallel poll.

**3-17. INPUTTING THE STATUS WORD**

The status word is transferred to the A or B registers of the computer using the following sequence of machine instructions:

### 3-18. STATUS WORD CODING

The coding of each of the bits of the status word is as follows:

or

STF	SC	
LIA	SC	
STF	SC	
LIB	SC	
SC	EQU	<select code of BUS I/O card>

Bits 0-3

#### PARALLEL POLL PRIORITY ENCODED IDENTIFICATION

Indicates the highest priority response to a parallel poll or the occurrence a "bus clear" command. Highest priority is assigned to IFC followed by DIO8, etc.

The priority encoding scheme is shown in Figure 3-2.

#### NOTE

A OTA/B instruction may not be executed between the STF and LIA/B or inputting of data will result.

Bit 4

#### ACTIVE FLIP-FLOP STATUS

Indicates the state of the ACTIVE Flip-Flop.

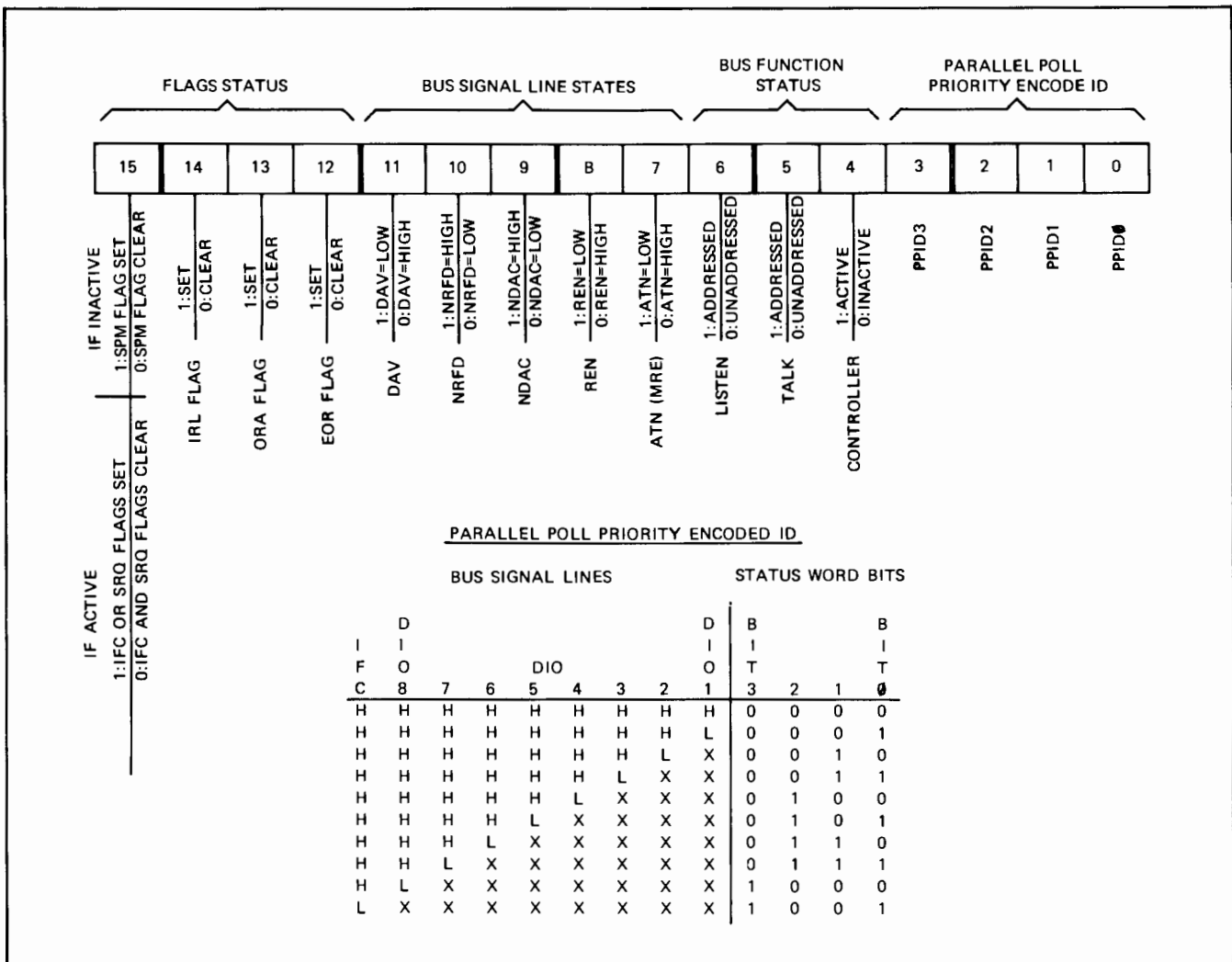


Figure 3-2. Status Word Format

	<p>If Bit 4 = 1, the ACTIVE Flip-Flop is set.</p> <p>If Bit 4 = 0, the ACTIVE Flip-Flop is reset.</p>		<p>If Bit 10 = 1, NRFD is "high".</p> <p>If Bit 10 = 0, NRFD is "low".</p>
Bit 5	<p>TALK F STATUS</p> <p>Indicates the state of the TALK Flip-Flop.</p> <p>If Bit 5 = 1, the TALK Flip-Flop is set (i.e., the PCA is addressed to talk).</p> <p>If Bit 5 = 0, the TALK Flip-Flop is reset (i.e., the PCA has not been addressed to talk).</p>	Bit 11	<p>DAV LINE STATUS</p> <p>Indicates the state of the bus signal line DAV.</p> <p>If Bit 11 = 1, DAV is "low".</p> <p>If Bit 11 = 0, DAV is "high".</p>
Bit 6	<p>LISTEN FLIP-FLOP STATUS</p> <p>Indicates the state of the LISTEN Flip-Flop.</p> <p>If Bit 6 = 1, the LISTEN Flip-Flop is set (i.e., the PCA is addressed to listen).</p> <p>If Bit 6 = 0, the LISTEN Flip-Flop is reset (i.e., the PCA has not been addressed to listen).</p>	Bit 12	<p>END OF RECORD (EOR) FLAG STATUS</p> <p>Indicates the state of the End of Record Flag.</p> <p>If Bit 12 = 1, EOR FLG has been set.</p> <p>If Bit 12 = 0, EOR FLG has not been set.</p>
Bit 7	<p>ATN LINE STATUS</p> <p>Indicates the state of the bus signal line ATN.</p> <p>If Bit 7 = 1, ATN is "low". (bus in Command Mode).</p> <p>If Bit 7 = 0, ATN is "high". (bus in Data Mode)</p>	Bit 13	<p>OUTPUT REGISTER ACCEPT (ORA) FLAG</p> <p>Indicates the state of the ORA Flag.</p> <p>If Bit 13 = 1, the ORA Flag has been set.</p> <p>If Bit 13 = 0, the ORA Flag is clear.</p>
Bit 8	<p>REN LINE STATUS</p> <p>Indicates the state of the bus signal line REN.</p> <p>If Bit 8 = 1, REN is "low". (bus is Remote Enabled).</p> <p>If Bit 8 = 0, REN is "high". (bus is in Local).</p>	Bit 14	<p>INPUT REGISTER LOADED (IRL) FLAG</p> <p>Indicates the state of the IRL Flag.</p> <p>If Bit 14 = 1, the IRL Flag has been set.</p> <p>If Bit 14 = 0, the IRL Flag is clear.</p>
Bit 9	<p>NDAC LINE STATUS</p> <p>Indicates the state of the bus signal line NDAC.</p>	Bit 15	<p>INTERFACE CLEAR (IFC), SERVICE REQUEST (SRQ) AND SERIAL POLL MODE (SPM) FLAG STATUS</p> <p>If Active (Bit 4 = 1), Bit 15 = 1 indicates that either the IFC or SRQ Flags have been set and Bit 15 = 0 indicates that both the IFC and SRQ Flags are clear.</p>
Bit 10	<p>NRFD LINE STATUS</p> <p>Indicates the state of the bus signal line NFRD.</p>		<p>If Inactive (Bit 4 = 0), Bit 15 = 1 indicates that the SPM Flag has been set and Bit 15 = 0 indicates that the SPM Flag is clear.</p>

### 3-19. DATA OUTPUT

#### 3-20. DATA TRANSFER CAPABILITIES

Data can be transferred from the computer to the bus via the A or B registers under program control or via memory under DCPC (Dual Channel Port Controller) control. Either whole (16 bits) or half words (8 bits) can be output from the computer. If whole words are to be used, the I/O PCA's packing feature must be enabled by outputting a control word.

#### 3-21. OUTPUT DATA TYPES

Data that is outputted can be classified into three types. They are distinguished by the affect they have on the devices on the bus and the I/O card. Each is output in the same manner, only their affect is different. All data type can be output with or without packing.

The function of the three data types are:

1. To send information (device data) from the computer to a device(s) on the bus while the computer is acting as the Talker. Coding and Formatting is a function of the devices.
2. To send Addresses and coded Commands to the bus while the computer is acting as the Controller. Codes are defined by bus.
3. To send ASCII data, control codes, Addresses and Commands when the I/O Card is in the ASCII Mode. Some codes are defined by I/O Card.

#### 3-22. OUTPUT DATA REGISTERS

There are two registers on the PCA which store data received from the computer prior to being sent over the bus. These are the Output Word Register (OWR) and the Output Byte Register (OBR). The OWR is a 16 bit (2 bytes) register which stores the data received from the A or B registers or memory. The OBR is an 8 bit (1 byte) register which stores the data which is being sent via the bus.

The OWR is loaded when an OTA/B instruction is executed or simulated by DCPC. Its contents are transferred to the OBR by the I/O Card in 8 bit bytes. If packing has been enabled by outputting a control word with Bit 11 = 1, then two bytes are transferred from the OWR to the OBR for each OTA/B. If packing is disabled, only one byte is transferred for each OTA/B.

The contents of the OBR are transferred via the bus in accordance with the bus handshake lines. Each time a byte is accepted by the device(s) on the bus, a new byte is transferred from the OWR to the OBR until all the data in the OWR (one byte without packing, two with) has been accepted.

When data is being transferred under program control (using OTA/B instructions) only one or two bytes can be

stored at a time in the two registers. The acceptance of all bytes is indicated by a flag\* that can be tested or used to generate an interrupt. When data is being transferred by DCPC, up to three bytes can be stored. A special flag\* indicates when the OWR is empty and requests the next DCPC output cycle. This allows DCPC and bus cycles to overlap.

#### 3-23. TO OUTPUT DATA

Data may be transferred from the A or B register of the computer to a device on the bus under program control by using the following instruction sequence:

```

.
.
.
LDA DATA
OTA sc, C
.
.
.

```

or

```

.
.
.
LDB DATA
OTB sc, C
.
.
.

```

#### NOTE

A STF SC instruction may not precede the LDA/B and OTA/B instructions or the data will be interpreted as a control word by the I/O card.

Data may also be transferred from the computer's memory to a device on the bus by using the DCPC option.

#### 3-24. OUTPUT DATA FORMAT

The correspondence between the way the data appears in the A/B registers or memory and the way it appears when transferred to the bus is shown in figure 3-3.

With packing disabled, only the lower half of the machine word is transferred (bits 0-7) to the bus. The upper half (bits 8-15) is ignored. Bit 0 of the machine word corresponds to DIO1 of the bus, Bit 1 to DIO2, etc.

With packing enabled, both the upper and lower half of the machine word are transferred to the bus. The upper half is output as the first bus byte, the lower half second. Bits 0 and 7 correspond to DIO1 of the bus, Bits 1 and 8 to DIO2, etc.

\*See paragraphs 3-31 to 3-38.

### 3-25. DATA INPUT

### 3-26. DATA TRANSFER CAPABILITIES

Data can be transferred from the bus to the computer's A or B registers under program control or to the computers' memory under Dual Channel Port Controller (DCPC) control. One or two bus bytes may be packed into one computer word by the I/O card, as selected by outputting a control word.

**NOTE**

Devices transferring data bytes to the computer under DCPC control must complete the 3-wire Handshake in less than three microseconds; otherwise each data byte will be duplicated.

### 3-27. INPUT DATA TYPE

The only type of data that can be input is data received from a device on the bus while the computer is addressed

to *listen* and the device to *talk*. The coding and formatting of the data is a function of the two devices.

### 3-28. INPUT WORD REGISTER

The Input Word Register (IWR) is a 16 bit register on the I/O card which can store one or two bytes of data received from a device on the Bus.

One byte is loaded into the IWR each time a bus handshake cycle occurs. It will be loaded with one byte if packing is disabled and two bytes if packing is enabled. When the IWR is full (1 byte without packing, 2 with) a flag\* will be set which can be tested, used to cause an interrupt, or used to request a DCPC input cycle. The contents of IWR is transferred to the A or B registers when a LIA/B or MIA/B instruction is executed or to memory when a DCPC cycle simulates a LIA/B.

\*See paragraphs 3-31 to 3-40.

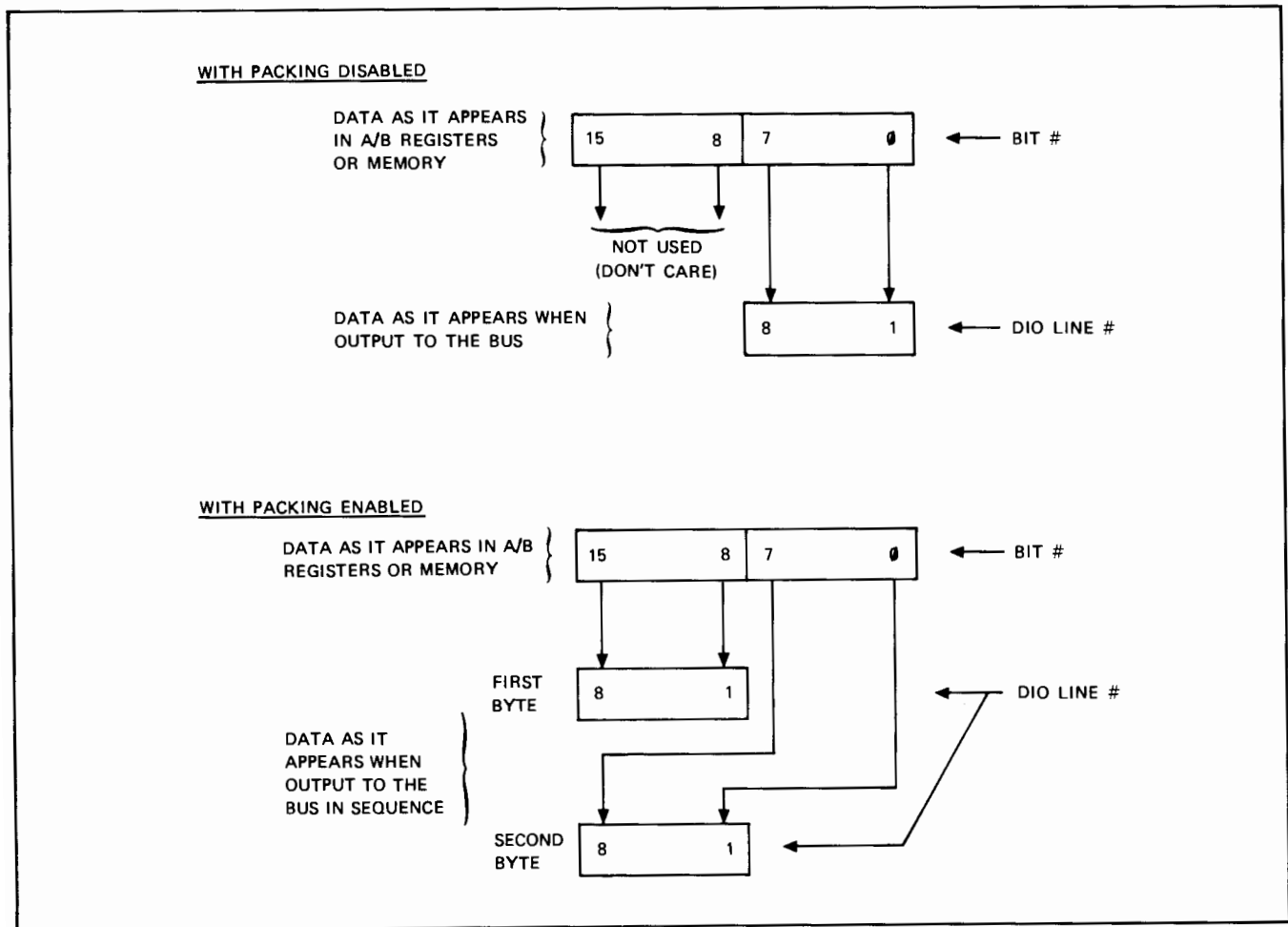


Figure 3-3. Output Data Formats

**3-29. TO INPUT DATA**

Data may be transferred to the A or B register under program control by the following sequence of instructions:

```

LIA sc, C
STA DATA
    
```

or

```

LIB sc, C
STB DATA
    
```

**NOTE**

A STF sc instruction may not precede the LIA/B instruction or the inputting of a status word will result.

Data may also be transferred to the computer's memory using the DCPC option. See paragraph 3-101.

**3-30. INPUT DATA FORMAT**

The correspondence between the way the data appears on the bus data lines and the way it appears when it is transferred to the A/B register or memory is shown in figure 3-4.

With packing disabled only the lower half (bits 0-7) of the computer word contains a bus byte. The upper half (bits 8-15) will contain all zeroes. The bus signal line DIO1 corresponds to Bit 0, DIO2 to Bit 1, etc.

With packing enabled both the upper and lower halves of the computer word will contain Bus bytes. The upper half will contain the first byte received, the lower the second. The bus signal line DIO1 corresponds to Bit 0 and Bit 8, DIO2 to Bits 1 and 9, etc.

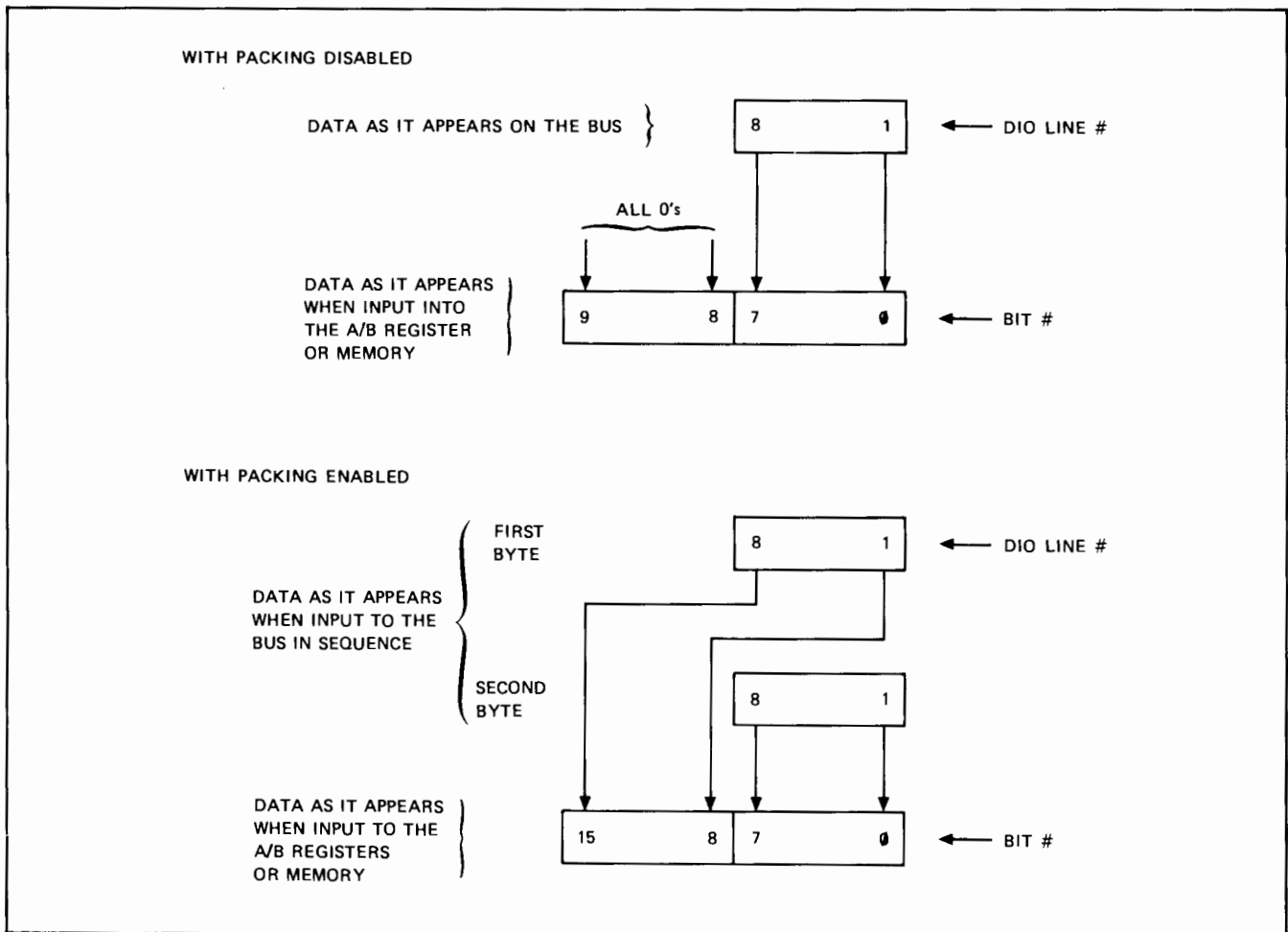


Figure 3-4. Input Data Formats

**3-31. FLAGS****3-32. FLAG ORGANIZATION**

There are eight flags associated with various aspects of the cards' and the bus' operation. Six of the flags (EOR, ORA, IRL, IFC, SRQ and SPM Flags) can be selectable combined to set a seventh flag (Main Flag) which can be tested by the program or used to cause an interrupt. The six flags may also be tested by inputting a status word. The eighth flag is used in conjunction with outputting data under DCPC control.

**3-33. MAIN FLAG**

The main flag indicates that at least one auxiliary flag has been set. It is set if any one of the auxiliary flags selected by the control word occurs. It is cleared by a CLF instruction if the control flip-flop is clear.

The state of the main flag can be tested by the SFS or SFC instructions. It may also be used to cause an interrupt if it is set and the control flip-flop is set and the interrupt system has been turned on (by a STF 0 instruction).

**3-34. END OF RECORD FLAG (EOR)**

The End of Record (EOR) Flag indicates that the byte of data received is the last in the string. The EOR Flag is set only if the bus I/O PCA is addressed to Listen and the talker signals "END" (EOI is low) or an ASCII linefeed character (012<sub>8</sub>) is received and the ASCII Mode has been enabled by the control word. The EOR Flag is cleared by a CLF instruction if the control flip-flop has been cleared.

The EOR Flag may be tested by inputting a status word. If Bit 12 = 1, the EOR flag is set. The EOR flag may be enabled to set the main flag by outputting a control word with Bit 12 = 1.

**3-35. OUTPUT REGISTER ACCEPTED FLAG (ORA)**

The Output Register Accepted (ORA) flag indicates when set that all data in the output word and output byte register has been accepted by the device(s) on the bus. The ORA Flag will be set if:

1. The bus I/O PCA is addressed to Talk and the bus is in the Data Mode or
2. If the bus I/O PCA is the Active Controller and the bus is in the command mode and the last byte in the OWR and OBR has been accepted.

The ORA Flag is cleared by a OTA/B instruction. It can be initially cleared by outputting a Control Word = XXXXX7<sub>8</sub>.

**3-36. INPUT REGISTER LOADED FLAG (IRL)**

The Input Register Loaded (IRL) flag indicates when set that data has been loaded into the input register and is ready to be input into the computer.

The IRL Flag will be set if the I/O card is addressed to Listen and the bus is in the data mode and a handshake cycle occurs. If the packing mode is disabled, the IRL Flag will be set each time a handshake cycle occurs. If the packing mode is enabled, the IRL flag will only be set every other time a handshake cycle occurs. The IRL flag is cleared by a LIA/B or MIA/B instruction.

The IRL flag can be tested by inputting the status word and testing bit 14 or it can be used to set the main flag by outputting a control word with bit 14 = 1 or it can be selected to request DCPC cycles by outputting a control word with bit 10 = 0.

**3-37. INTERFACE CLEAR FLAG (IFC)**

The Interface Clear Flag (IFC) indicates when set that an interface clear command has occurred on the bus (it may or may not have been generated by the bus I/O PCA). The IFC flag is cleared by a CLF instruction if the control flip-flop is clear.

The IFC Flag can be tested by inputting a Status Word. If the Status word = X XXX XXX XX1 (0001<sub>8</sub>), then the IFC Flag is set. It may also be enabled to set the Main Flag if the I/O card is Active by outputting a Control Word with Bit 15 = 1.

**NOTE**

This will also enable the SRQ Flag to set the Main Flag.

**3-38. SERVICE REQUEST FLAG (SRQ)**

The Service Request (SRQ) flag indicates that some device on the bus wants service from the controller. The SRQ flag is set when the first device requests service. It will remain set as long as at least one device still requires service. The SRQ flag is cleared by executing a serial poll to all devices.

The SRQ flag may be tested only if the PCA is active by inputting a status word. If Bit 15 = 1 (and Bit 4 = 1) and Bits 0-3 = 11<sub>8</sub>, then the SRQ flag is set. If the computer is the system controller and is not executing an interface clear command, then Bits 0 - 3 need not be tested. The SRQ flag may also be enabled to set the main flag if the PCA is active and a control word with Bit 15 = 1 is output. (Note: This also enables the IFC Flag to set the main flag.)

**3-39. SERIAL POLL MODE FLAG (SPM)**

The Serial Poll Mode (SPM) flag indicates when set that another controller has entered the serial poll mode to determine the source of a service request. The SPM flag

will be set when the controller sends the serial poll mode enable command. It will be cleared by the controller sending the serial poll disable command or the interface clear command.

The SPM flag may be tested only if the PCA is inactive as a controller and a status word is input. If Bit 15 = 1 (and Bit 4 = 0)\*, the SPM flag is set. The SPM flag can also be used to set the main flag if the PCA is inactive by outputting a control word with Bit 15 = 1.

### 3-40. DCPC OUTPUT REQUEST FLAG

The DCPC output request flag indicates when set that all the data in the output word register has been transferred to the output byte register. It is set at the same time the last byte is loaded into the OBR. This occurs when the previous byte has been accepted from the OBR by the device(s) on the bus. If packing is used, the DCPC output request flag will be set as the second byte is loaded. If packing is not enabled, it will be set for each byte transferred. The DCPC output request flag is cleared by a CLF instruction (during DCPC operation, it is issued by DCPC).

The DCPC output request flag can only be used to request DCPC cycles. It must be enabled to do so by outputting a control word with Bit 10 = 1. Furthermore, DCPC must be initialized with various parameters to operate properly.

### 3-41. MACHINE I/O INSTRUCTIONS OPERATION

This section describes the operation of each of the computer's I/O instructions with respect to the bus I/O PCA. It should be noted that some of them operate somewhat differently than the normal description of each indicates.

### 3-42. DIFFERENCE IN USE OF I/O INSTRUCTIONS

Specifically, the STF instruction is used differently to set a data type flip-flop, the OTA/B, LIA/B, MIA/B do more (STC's are not used with them), STC does less (only enabling interrupts) and the CLF instruction is qualified by the control flip-flop.

### 3-43. STF INSTRUCTION

A STF sc instruction prepares the bus I/O PCA indicated by sc to receive a control word or input a status word. Execution of a STF instruction changes the operation of the next OTA/B, LIA/B, MIA/B instruction on the PCA. Execution of a OTA/B, LIA/B, MIA/B instruction returns them to their normal operation.

\*Optional

### 3-44. OTA AND OTB INSTRUCTIONS

An OTA sc or OTB sc loads the contents of the A or B registers into the output word register and clears the ORA Flag if preceded by a STF sc instruction, outputs a control word to the PCA indicated by sc.

### 3-45. LIA, LIB, MIA AND MIB INSTRUCTIONS

A LIA sc or LIB sc instruction transfers the contents of the input register or, if preceded by a STF sc instruction, the status word of the bus I/O PCA indicated by sc to the A or B registers. The MIA sc and MIB sc instructions operate the same except they merge (inclusion "or") the contents into A and B.

A LIA/B, MIA/B instruction clears the input register loaded flag, presets the input byte counter to byte 0 (first input) and sets the not ready for data (NRFD) flip-flop.

### 3-46. SFS AND SFC INSTRUCTIONS

A SFS sc (SFC sc) instruction causes the next instruction to be skipped (i.e., P + 2 is executed) if the main flag of the PCA indicated by sc is set (clear).

### 3-47. STC AND CLC INSTRUCTIONS

A STC sc instruction enables the bus I/O PCA by setting the control flip-flop. This causes an interrupt if the interrupt system is turned on, and any one of the six flags selected by the control word occurs. In addition, a STC sc prevents any subsequent CLF sc instructions from clearing all but the DCPC Output Request Flag.

A CLC sc instruction clears the control flip-flop and prevents the PCA from causing an interrupt. The cleared control flip-flop will enable CLF sc to clear main flag, EOR flag and IFC flag.

### 3-48. CLF INSTRUCTION

A CLF sc instruction clears the DCPC output request flag and if the control flip-flop is clear, it will also clear the main flag, the EOR flag and the IFC flag.

#### NOTE 1

A stand alone CLF sc instruction does not operate the same as a ,C appended to another I/O instruction. The stand alone CLF sc instruction executes as though it were STF sc ,C; thus, it prepares the I/O to receive a control word or send a status word. To effectively execute a stand alone CLF, use a CLC sc, C instruction.



NOTE 2

If the PCA has been placed in the control/status mode (via an STF instruction), execution of the CLC,C instruction will clear the main flag but *not* the EOR and IFC flags. A "dummy" LIA instruction should then be executed to return the PCA to the data mode.

**3-49. ASCII MODE**

The ASCII Mode is a special operating mode of the bus I/O PCA in which six of the functions of the control word may be controlled by outputting reserved data codes. These are listed in table 3-1. It also enables an ASCII Linefeed (012<sub>8</sub>) character to set the End-of-Record (EOR) flag when receiving data while addressed to listen.

Table 3-1. ASCII Mode Codes

FUNCTION	DATA CODE		
	OCTAL	ASCII	TTY
INTERFACE CLEAR COMMAND	033	ESC	ESC
LOCAL COMMAND	002	STX	CTRL and B
REMOTE ENABLE COMMAND	003	ETX	CTRL and C
SET COMMAND MODE	016	SO	CTRL and N
SET DATA MODE	017	SI	CTRL and O
SIGNAL END OF RECORD	012	LF	LINE FEED

**3-50. ENABLING THE ASCII MODE**

The ASCII mode is enabled by outputting a control word with Bit 8 = 1 when Group 3 is enabled.

**3-51. OPERATION WHEN OUTPUTTING**

When the ASCII mode is enabled, any one of the functions shown in table 3-1 may be executed by outputting the indicated data code. The effect of each on the I/O on the bus is the same as outputting a control word for the same function.

When in the ASCII mode, all codes which have control functions defined (per table 3-1) will not be transmitted except for linefeed (012<sub>8</sub>). Linefeed causes End-of-Record to be signaled and is transmitted to the Listener(s). (The PCA must be addressed to Talk.) The other ASCII mode codes cause an internal handshake to occur which operates the same as if a device had accepted the data. That is the ORA flag will be set, etc.

An ASCII mode code (except LF) can be output whether or not the card is addressed to Talk or in the command mode. All other codes must be output when appropriate, i.e., device data only when addressed to talk, address, etc. only when in the command mode.

The ASCII mode operates the same with or without packing enabled and under program or DCPC data transfer or any combination thereof.

**3-52. OPERATION WHEN INPUTTING**

If the I/O PCA is addressed to Listen and the ASCII mode has been enabled, an ASCII Linefeed (012<sub>8</sub>) will cause the End-of-Record (EOR) flag to be set. The linefeed character will also be loaded into the input register. If packing is disabled, the receipt of the linefeed character will also set the Input Register Loaded (IRL) flag. If packing is enabled, the IRL flag will only be set if the linefeed was the second byte received.

## 4-1. INTRODUCTION

This section explains the theory of operation of the Bus Input/Output Interface. The circuit analysis presented in this section is limited to a description of a simplified block diagram and a detailed block diagram.

## 4-2. GENERAL THEORY

The purpose of the Bus I/O Interface is to interface the HP computer I/O backplane to the HP Interface Bus (HP-IB). This requires translation of the computer backplane logic levels to the TTL logic level used by the HP-IB. The HP Interface Bus uses 8-bit words which requires the conversion of the computer 16-bit word to two 8-bit words.

The Bus Input/Output PCA (Printed circuit Assembly) performs four major functions; computer control word processing, bus data output, computer data input, and status

information input to the computer. These four functions are controlled by the control signals applied from the computer through the I/O backplane to the control logic, see figure 4-1.

## 4-3. CONTROL WORD PROCESSING

The computer control word output, which is applied through the *BP data receivers* to the *control logic*, determines the operating mode of the Bus Input/Output PCA. When the control word processing function is initiated, the *control logic*, in response to the computer backplane signals, inhibits the *computer data converter logic* and the *bus data converter logic*. The *control logic*, in conjunction with the computer control word output, determines if the PCA is either a listener or talker; the state of the *ASCII logic*; and the logic state of the flag outputs to the computer.

## 4-4. BUS DATA OUTPUT

The PCA applies data to the bus lines (DIO1 through DIO8) when the *computer data converter logic* is enabled

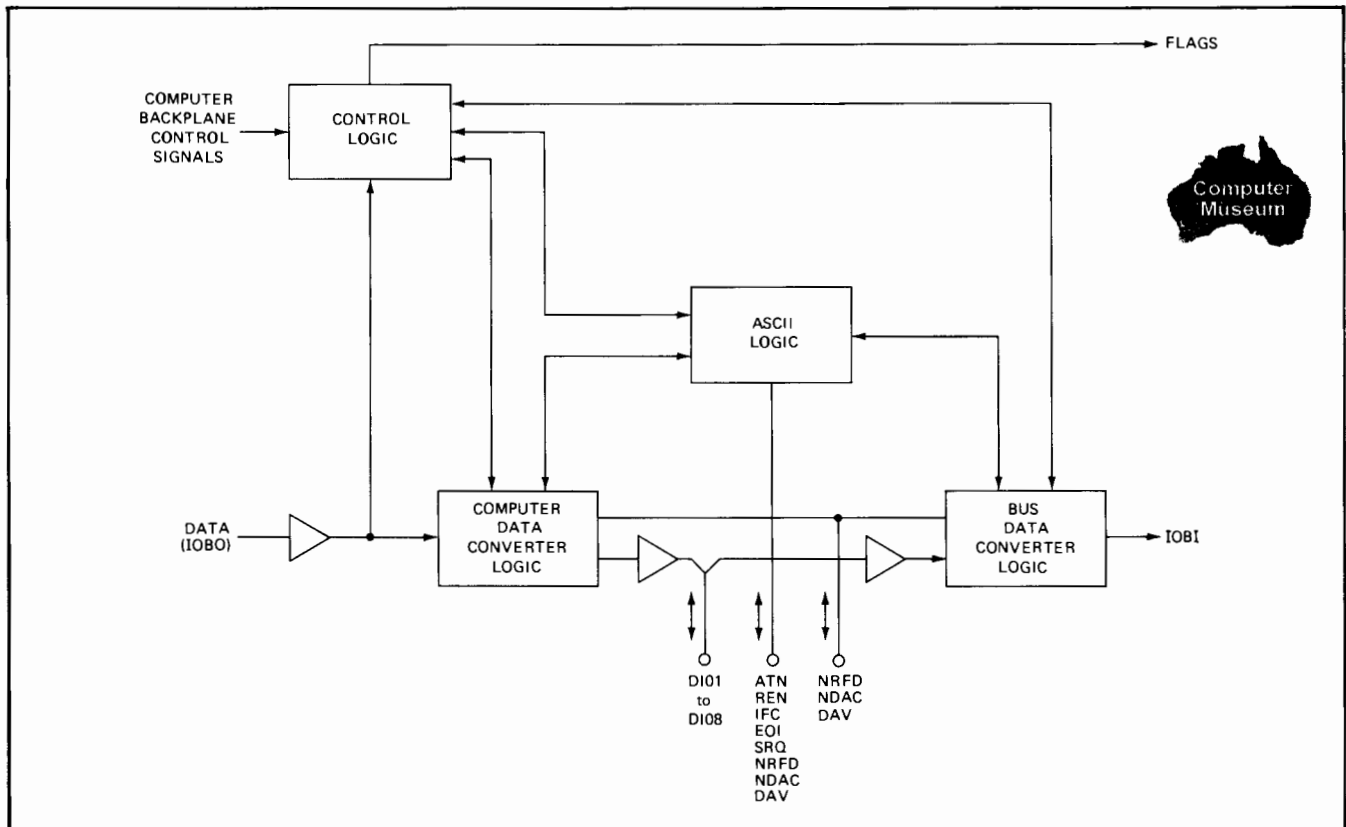


Figure 4-1. Simplified Block Diagram

by the *control logic*. The *computer data converter logic* stores the 16-bit computer word and, after the handshake sequence is completed, transfers eight bits to the bus data lines. The handshake cycle is repeated and the second eight bits are applied to the bus data lines. The data output of the *computer data converter logic* is continuously monitored by the *ASCII logic*. If the *ASCII logic* is enabled by the *control logic* and the data output is a special ASCII character, the appropriate ASCII command output is activated.

#### 4-5. COMPUTER DATA INPUT

The Bus Input/Output card applies data to the computer when the *control logic* enables the *bus data converter logic*. The *bus data converter logic* converts two eight bit words into one 16-bit word before outputting to the computer. This is accomplished in the following manner. After the completion of the handshake cycle, the first eight bits are transferred from the bus data lines and stored in the *bus data converter logic*. The handshake cycle is repeated and the second eight bits are clocked into the appropriate output register of the *bus data converter logic*. Two eight bit words, now one 16-bit word, are clocked into the computer.

#### 4-6. STATUS INFORMATION INPUT

The fourth major function of the PCA is the outputting of card status information to the computer. The *bus data converter logic* applies status information to the computer when the *control logic* inhibits the data output and enables the status word output. The status word output is used by the computer to monitor card operation to determine which flag caused an interrupt; to determine the state of the input/output handshake cycle; and to determine the state of the ASCII commands.

#### 4-7. DETAILED THEORY

##### 4-8. DATA INPUT/OUTPUT CONTROL

The four major functions of the PCA are controlled by the *data input/output control*, see figure 7-2. The *data input/output control* generates four outputs from the IOI, IOO, and STF inputs. These outputs are the IOI SC status, which puts the PCA in the computer status information function; the IOI SC data, which puts the PCA in the computer data input function; the IOO SC control, which puts the PCA in the control word processing function; and the IOO SC data, which puts the PCA in the bus data output function.

##### 4-9. CONTROL WORD PROCESSING

**4-10. WORD REGISTER AND DECODER.** The computer control word determines the PCA operating mode and is processed by the *word register and decoder*. When the PCA is in the control word processing function, the transfer of data from the card to either the bus (lines

DIO1 through DIO8) or the computer is inhibited by the *data input/output control*. The control word is a 16-bit word which is divided into three functional groups; groups one, two, and three. Group one consists of bits seven through fifteen. Group two consists of bits three through six and group three consists of bits zero through two. These three groups can be used independently or in combination with each other.

The group one portion of the control word is loaded into the *word register and decoder* whenever bit seven of the control word is set high. These eight bits control the selection of which flags will cause an interrupt to be tested by a skip flag set or skip flag clear instruction. Group one also sets the ASCII mode in either the address or data mode and sets the DCPC in an input or output operation. In addition, these bits determine if the service request (SRQ) is generated on the bus with an input/output operation and if packing is enabled or disabled.

The group two portion of the control word consists of bits three through six and is subdivided into two groups: groups 2a and 2b. Group 2a controls the ATN and EOI flip-flops and is selected whenever bit five of the control word is set high. Group 2b controls the talk and listen flip-flops and is selected whenever bit six of the control word is set high. Groups 2a and 2b can be used independently or in conjunction with each other.

The third group of the control word consists of bits zero through two and is decoded by the *word register and decoder* into six control lines. These six control lines, in addition to controlling the REN and active flip-flops and the IFC single-shot, also sets the *output data control* and the *input data control* to their initial state (byte one).

**4-11. EOI.** The EOI flip-flop, set by the control word, determines the state of the EOI signal output line. The EOI flip-flop is reset by either the control word, an IFC signal from the bus, computer turn on, or when the computer preset push button is engaged.

**4-12. REN.** The REN flip-flop output is enabled when switch SW2 (position 6) is set to *REN on*. When enabled, the REN flip-flop sets the REN output line low when triggered by either the control word or the *ASCII mode logic*.

**4-13. ACTIVE.** The output state of the active flip-flop is controlled by the control word and the IFC single-shot. When the active flip-flop is set, the PCA becomes the bus controller. The bus controller is a device that can send out addresses and universal commands to instruments connected to the HP-IB. The active flip-flop is reset by the control word or when some other device on the bus sets IFC low.

**4-14. ATN.** When the active flip-flop is set, the ATN driver is enabled. This allows the ATN flip-flop to control the ATN output line. The ATN flip-flop is set by either the control word or the *ASCII mode logic*. It is reset by the

following: the control word, *ASCII mode logic*, triggering of the *IFC* single-shot, computer turn on, and when the computer preset button is pushed if the PCA is the system controller.

**4-15. IFC.** The *IFC* single-shot output is enabled when switch SW2 (position 7) is set to *IFC on*. In this position, the *IFC* single-shot produces a 100 microsecond pulse output when triggered by one of the following: an octal one in the lower octal digit of the control word, the *ASCII mode logic*, computer turn-on, or when the computer preset push button is pushed.

**4-16. IFC BUFFER AND FILTER.** The *IFC buffer and filter*, in addition to buffering the *IFC* signal line from the bus, also filters the *IFC* line. Filtering is required to eliminate fast transient noise spikes on the bus *IFC* line to prevent falsely clearing of various flip-flops.

**4-17. IFC OFF.** The *IFC off* flip-flop, set whenever the *IFC* bus signal line goes low, is used to generate an interrupt output to the computer. It can be tested by either a skip flag set instruction or by loading the status word into the computer. A clear flag instruction resets the *IFC* flip-flop.

#### 4-18. BUS DATA OUTPUT.

The transfer of data from the computer to the PCA to the bus data lines uses a series of circuits on the PCA. These circuits are the *BP data receivers*, the *data input/output control*, the *output word register*, the *output data control*, the *output handshake logic*, the *output byte register*, and the *DIO drivers*.

**4-19. BP DATA RECEIVERS.** The *BP data receivers* provide signal buffering from the computer IOBO data bus to the PCA internal bus. In addition, the *BP data receivers* translate the computer backplane logic level to the TTL logic level required by the Bus Input/Output card. The output of the *BP data receivers* is applied to the *word register and decoder* and to the *output word register*.

**4-20. OUTPUT WORD REGISTER.** The *output word register* is a 16-bit register which is used to store the input data because the computer applies data to the IOBO lines for only 400 nanoseconds. Data is strobed into the *output word register* by the IOO SC data signal output of the *data input/output control*. The transfer of information from the *output word register* to the *output byte register* is controlled by the *output data control* and the *output handshake logic*.

**4-21. OUTPUT BYTE REGISTER.** The *output byte register* is an eight bit register used to transfer the data from the *output word register* to the *DIO drivers* in eight bit segments. This operation is controlled by two inputs applied from the *output data control*. One input is the word shift (ws), determining which eight bits of the *output word register* are applied to the *DIO drivers*. The remaining input is the clock and is used to transfer data into the *output byte register*.

**4-22. OUTPUT DATA CONTROL.** The *output data control* consists of a series of flip-flops. These flip-flops are used to control the *output byte register*, to generate a DCPC flag output, to enable the *output handshake logic*, and to inform the computer of the *output byte register* operating state. The IOO SC data signal input sets the output word register loaded flag (ORA FLG) low and, after a 100 nanosecond delay, clocks data into the *output byte register*. If packing is enabled, which is the ability to convert the computer 16-bit word into two eight bit words, and the *output data control* is in byte one, bits zero through seven are transferred to the *output byte register*. After the handshake cycle, the DCPC flag output is set high and the *output data control* is set to byte two. The DCPC flag output requests the next DCPC cycle of the computer. The second eight bits of the computer word, bits eight through fifteen, are clocked into the *output byte register* and applied through the *DIO drivers* to the bus output lines. After the handshake cycle, the ORA FLG output is set high, indicating to the computer that the device on the bus has accepted both eight bit words. The *output data control* is reset to byte one.

**4-23. OUTPUT HANDSHAKE LOGIC.** The *output handshake logic* consists of a combination of logic functions that are used to control the inputting of data to the required handshake sequence. There is a 500 nanosecond delay incorporated in the *output handshake logic*. After an initial 200 nanosecond delay, an enable is applied to the *ASCII mode logic*. An additional 300 nanoseconds later, if the NRFD on the bus is high, the DAV bus output line is set low. When the device on the bus has accepted the data, the DAC bus input is set high which resets the DAV output to high.

**4-24. ASCII MODE LOGIC.** The data output of the *output byte register* is also applied to the *ASCII mode logic*. If the *ASCII mode logic* is enabled, bit-8 of the control word set high, and the data is a reserved ASCII character, a low output is applied to the *output handshake logic*. This ends the handshake cycle, giving the appearance that the device on the bus has accepted the data. In addition, the reserved ASCII characters are decoded by the *ASCII mode logic*, determining the state of the *REN* flip-flop, the *ATN* flip-flop, or the triggering of the *IFC* single-shot.

**4-25. DIO DRIVERS.** The output of the *output byte register* is applied to the *DIO drivers*. The *DIO drivers* provide the drive for the bus data lines. These are tristate drivers and they are enabled only when the PCA is either addressed to talk or is an active controller with ATN set low.

#### 4-26. COMPUTER DATA INPUT

The third major function of the PCA is the transferring of data from the *input data and status word multiplexer* to the computer. This is controlled by the *input handshake logic*, the *input data control*, and the *input data/word register*. The input data is applied through the *DIO receivers* to the *input data/word register*. The strobing of data into the *input data/word register* is controlled by the hand-

shake lines (DAV, NDAC, and NRFD) and the listen flip-flop. The listen flip-flop is part of the *bus communicator logic*. If the listen flip-flop is set and DAV goes low, the card can accept data into the *input data/word register*. This is controlled by the *input handshake logic*.

**4-27. INPUT HANDSHAKE LOGIC.** The *input handshake logic* consists of a combination of logic functions that are used to control the strobing of data into the *input data/word register*. There is a 200 nanosecond delay incorporated into the *input handshake logic*. After an initial 100 nanosecond delay, the DAV input from the bus is applied to the *input data control* and the NRFD bus output line is set high. After an additional 100 nanosecond delay, the NDAC output line is set high.

**4-28. INPUT DATA CONTROL.** The *input data control*, consisting of a series of flip-flops and other logic elements, provides a clock output to both the *EOR flag logic* and the upper and lower half of the *input data/word register*. Also, an input register loaded flag (IRL FLG) output is applied to the computer.

If packing is enabled, the IOI SC data output signal from the *data input/output control* sets the *input data control* to byte one. The DAV input, applied from the *input handshake logic*, results in a clock applied to the lower half of the *input data/word register*, transferring the contents of the *DIO receivers* into the *input data/word register*. The clock is also applied to the *EOR flag logic* and the *input data control* is set to byte two. The next DAV input clocks the contents of the *DIO receivers* into the upper half of the *input data/word register*. In addition, a IRL FLG is applied to the computer, indicating that the card has accepted both words of data and is ready to output.

If packing is not enabled, data is clocked into only the upper half of the *input data/word register*. The *input data control* is continuously set to byte two.

**4-29. EOR FLAG LOGIC.** The *EOR flag logic* will respond to the clock output from the *input data control* if enabled by either the *ASCII mode LF detector* or the EOI flip-flop. The EOR flag can be used to generate an interrupt and be tested by either a skip flag set instruction or by the control word.

**4-30. ASCII MODE LF DETECTOR.** If the *ASCII mode LF detector* is enabled by the *bus communicator logic*, it monitors the data output of the *DIO drivers*. If an octal 12 is applied to the bus data lines (DIO1 through DIO7), the *ASCII mode LF detector* will enable the *EOR flag logic*. The EOR flag logic, when clocked, will indicate end of record in the ASCII mode.

**4-31. BUS COMMUNICATOR LOGIC.** The *bus communicator logic*, in conjunction with the computer control word or with a bus controller, enables the PCA as either a talker or listener. The *listen* flip-flop, contained in the *bus communicator logic*, is set or reset by either the computer control word or if a controller applies the appropriate Bus Input/Output listen or un-listen address to

the data lines. Similarly, the *talk* flip-flop is set or reset by either the computer control word or if a controller applies the correct Bus Input/Output talk address to the data lines.

An additional function in the *bus communicator logic* is the *status poll* flip-flop. The *status poll* flip-flop is set when a controller applies a status poll command to the bus data lines. It is used to cause an interrupt and is tested by the skip flag set instruction. The *status poll* flip-flop enables the computer to output a status byte to the controller on request. The status poll flip-flop is reset by either the status poll disable command, generated by the controller, or when IFC is set low.

**4-32. ADDRESS COMPARATOR AND ADDRESS SWITCH.** Switch SW2 consists of eight, two position switches. Five of these switches, labeled *bus address* on the PCA, correspond to the *address switch*. The position of these switches determine the address of the card. The output of the *address switch* is applied to the *address comparator*. The *address comparator*, by comparing the output of the *address switch* to the data applied to the bus input data lines, determines if the PCA is addressed. When the card is addressed, the *address comparator* applies an output to the *bus communicator logic*.

**4-33. SRQ REQUEST LOGIC.** The *SRQ request logic* is used to generate an SRQ output, if enabled by the computer, whenever data is to be outputted or received. When enabled, an SRQ output is generated if the card is not addressed to talk and the output byte register loaded flip-flop (part of the *output data control*) is set. Also, an SRQ output is generated if the card is not addressed to listen and the ready for data flip-flop (part of the *input handshake logic*) is set.

**4-34. PARALLEL POLL I.D.** If a SRQ is pending, the controller may execute a parallel service request I.D. sequence by setting both ATN and EOI low. In response, the *Parallel Poll I.D.* will set the DIO line assigned to the card, line assignment is determined by the *PP I.D. code* switch SW11, low. This identifies the PCA as one of the sources of a SRQ.

**4-35. PP PRIORITY AND ENCODER.** The *PP priority and encoder* is used to execute a *Parallel Poll I.D.* cycle by encoding the data lines (DI01 through DI08) to the octal equivalent of the eight line code. Line DI08 has the highest priority of the data lines, octal code eight is generated if line DI08 is low. If DI08 is high, line DI07 has the highest priority. This sequence is repeated through line DI01. The IFC flip-flop generates the highest priority code, octal 11. Octal code 11 can be used to distinguish a service request from an IFC interrupt.

**4-36. FLAG MULTIPLEXER and FLAGS.** The *flag multiplexer* selects one of seven flag inputs that can be used as a source of interrupt. Any combination of these flags, which are enabled, will set the *flags*. The output of the *flags* is used in conjunction with the *SFS/SFC logic*,

enabling testing by these machine instructions. In addition, the *flags* output is used with the *interrupt logic* to cause an interrupt if the computer uses the interrupt system.

**4-37. INTERRUPT LOGIC.** The *interrupt logic* generates an interrupt output to the computer if the interrupt system in the computer is enabled and a high priority interrupt from another I/O card is not pending. If the *flags* is set, any other interrupt is locked out until the interrupt from the PCA is processed.

**4-38. DCPC FLAG MULTIPLEXER.** The *DCPC flag multiplexer* selects which flag, the IRL flag or the

DMA output request flag, is used to generate a DCPC service request. The control word determines flag selection.

#### **4-39. STATUS INFORMATION INPUT**

The fourth major function of the Bus Input/Output card is the transfer of the status word from the *input data and status word multiplexer* to the computer. The *data input/output control IOI SC* status output inhibits bus data transfer and enables the outputting of the status word. The status word is used by the computer to monitor card operation to determine which flag caused an interrupt; to determine the state of the handshake cycle; and to determine the state of the ASCII commands.



## 5-1. INTRODUCTION

This section contains troubleshooting information.

## 5-3. TROUBLESHOOTING

Refer to the 59310B Bus Input/Output Card Diagnostic manual, part number 59310-90061; for diagnostic program use part number 59310-16001. The program is designed to rapidly confirm proper operation of the Bus I/O PCA and to assist in troubleshooting defective cards.







# REPLACEABLE PARTS

SECTION

VI

## 6-1. INTRODUCTION

This section contains information for ordering replaceable parts. Table 6-1 gives the meanings of the abbreviations and reference designations used in the table of replaceable parts. Table 6-2 is the list of replaceable parts and is organized as follows:

1. Components in alpha-numerical order by reference designation.

2. Miscellaneous parts.

The information given for each part consists of:

1. the Hewlett-Packard part number,
2. total quantity (Qty),
3. description of the part,
4. typical manufacturer of the part in a 5-digit code, and
5. the manufacturer's number for the part.

Total quantity for each part is given only once—at the first appearance of the part number.

Table 6-3 contains the names and addresses that correspond to the manufacturers' code numbers.

## 6-2. ORDERING INFORMATION

To order a part listed in the Replaceable Parts table, provide the nearest Hewlett-Packard office with the following information:

1. The Hewlett-Packard part number from the Replaceable Parts table.
2. The quantity required.

To order a part not listed in the Replaceable Parts table, provide the nearest Hewlett-Packard office with the following information:

1. Model number.

Table 6-1. Reference Designations and Abbreviations

REFERENCE DESIGNATIONS			
A	= assembly	E	= miscellaneous electrical part
AT	= attenuator; isolator; termination	F	= fuse
B	= fan; motor	FL	= filter
BT	= battery	H	= hardware
C	= capacitor	HY	= circulator
CP	= coupler	J	= electrical connector (stationary portion); jack
CR	= diode; diode thyristor; varactor	K	= relay
DC	= directional coupler	L	= coil; inductor
DL	= delay line	M	= meter
DS	= annunciator; signaling device (audible or visual); lamp; LED	MP	= miscellaneous mechanical part
		P	= electrical connector (movable portion); plug
		Q	= transistor; SCR; triode thyristor
		R	= resistor
		RT	= thermistor
		S	= switch
		T	= transformer
		TR	= terminal board
		TC	= thermocouple
		TP	= test point
		U	= integrated circuit; microcircuit
		V	= electron tube
		VR	= voltage regulator; breakdown diode
		W	= cable; transmission path; wire
		X	= socket
		Y	= crystal unit—piezo-electric
		Z	= tuned cavity; tuned circuit

ABBREVIATIONS			
A	= ampere	avg	= average
ac	= alternating current	AWG	= American wire gauge
ACCESS	= accessory	BAL	= balance
ADJ	= adjustment	BCD	= binary coded decimal
A/D	= analog-to-digital	BD	= board
AF	= audio frequency	BE (Cu)	= beryllium copper
AFC	= automatic frequency control	BFO	= beat frequency oscillator
AGC	= automatic gain control	BH	= binder head
AL	= aluminum	BKDN	= breakdown
ALC	= automatic level control	BP	= handpass
AM	= amplitude modulation	BPF	= handpass filter
AMPL	= amplifier	BRS	= brass
APC	= automatic phase control	BWO	= backward-wave oscillator
ASSY	= assembly	CAL	= calibrate
AUX	= auxiliary	ccw	= counterclockwise
		CER	= ceramic
		CHAN	= channel
		cm	= centimeter
		CMO	= cabinet mount only
		COAX	= coaxial
		COEF	= coefficient
		COM	= common
		COMP	= composition
		COMPL	= complete
		CONN	= connector
		CP	= cadmium plate
		CRT	= cathode-ray tube
		CTL	= complementary transistor logic
		CW	= continuous wave
		cw	= clockwise
		cm	= centimeter
		D/A	= digital-to-analog
		dB	= decibel
		dBm	= decibel referred to 1 mW
		de	= direct current
		deg	= degree (temperature interval or difference)
		°	= degree (plane angle)
		°C	= degree Celsius (centigrade)
		°F	= degree Fahrenheit
		°K	= degree Kelvin
		DEPC	= deposited carbon
		DET	= detector
		diam	= diameter
		DIA	= diameter (used in parts list)
		DIFF	= differential amplifier
		AMPL	= division
		div	= double-pole, double-throw
		DPDT	= drive
		DR	

Table 6-1. Reference Designations and Abbreviations (Continued)

**ABBREVIATIONS**

DSB = double sideband	MFR = manufacturer	PIV = peak inverse voltage	TFT = thin-film transistor
DTL = diode transistor logic	mg = milligram	pk = peak	TGL = toggle
DVM = digital voltmeter	MHz = megahertz	PL = phase lock	THD = thread
ECL = emitter coupled logic	mH = millihenry	PLO = phase lock oscillator	THRU = through
EMF = electromotive force	mho = mho	PM = phase modulation	TI = titanium
EOP = electronic data processing	MIN = minimum	PNP = positive-negative-positive	TOL = tolerance
ELECT = electrolytic	min = minute (time)	PO = part of	TRIM = trimmer
ENCAP = encapsulated	MINAT = miniature	POLY = polystyrene	TSTR = transistor
EXT = external	mm = millimeter	PORC = porcelain	TTL = transistor-transistor logic
F = farad	MOD = modulator	POS = positive; position(s)	TV = television
FET = field-effect transistor	MOM = momentary	POSN = position (used in parts list)	TVI = television interference
F-F = flip-flop	MOS = metal-oxide semiconductor	POT = potentiometer	TWT = traveling wave tube
FH = flat head	ms = millisecond	P-P = peak-to-peak	U = micro (10 <sup>-6</sup> ) (used in parts list)
FIL.H = fillister head	MTG = mounting	PP = peak-to-peak (used in parts list)	UF = microfarad (used in parts list)
FM = frequency modulation	MTR = meter (indicating device)	PPM = pulse-position modulation	UHF = ultrahigh frequency
FP = front panel	mV = millivolt	PREAMPLI = preamplifier	UNREG = unregulated
FREQ = frequency	mVac = millivolt, ac	PRF = pulse-repetition frequency	V = volt
FXD = fixed	mVdc = millivolt, dc	PRR = pulse repetition rate	VA = voltampere
g = gram	mVpk = millivolt, peak	ps = picosecond	Vac = volts, ac
GE = germanium	mV p-p = millivolt, peak-to-peak	PT = point	VAR = variable
GHz = gigahertz	mVrms = millivolt, rms	PTM = pulse-time modulation	VCO = voltage-controlled oscillator
G = glass	mW = milliwatt	PWM = pulse-width modulation	Vdc = volts, dc
GND = grounded	MUX = multiplex	PWV = peak working voltage	VDCW = volts, dc, working (used in parts list)
H = henry	MY = mylar	RC = resistance	V(F) = volts, filtered
h = hour	μA = microampere	RECT = rectifier	VFO = variable-frequency oscillator
HET = heterodyne	μF = microfarad	REF = reference	VHF = very-high frequency
HEX = hexagonal	μH = microhenry	REG = regulated	Vpk = volts, peak
HD = head	μho = micromho	REPL = replaceable	Vp-p = volts, peak-to-peak
HDW = hardware	μs = microsecond	RF = radio frequency	Vrms = volts, rms
HF = high frequency	μV = microvolt	RFI = radio frequency interference	VSWR = voltage standing wave ratio
HG = mercury	μVac = microvolt, ac	RH = round head; right hand	VTO = voltage-tuned oscillator
HI = high	μVdc = microvolt, dc	RLC = resistance-inductance-capacitance	VTVM = vacuum-tube voltmeter
HP = Hewlett-Packard	μVpk = microvolt, peak	RMO = rack mount only	V(X) = volts, switched
HPF = high pass filter	μVp-p = microvolt, peak-to-peak	rms = root-mean-square	W = watt
HR = hour (used in parts list)	μVrms = microvolt, rms	RND = round	W = with
HV = high voltage	μW = microwatt	ROM = read-only memory	WIV = working inverse voltage
Hz = Hertz	nA = nanoampere	R&P = rack and panel	WW = wirewound
IC = integrated circuit	NC = no connection	RWV = reverse working voltage	W O = without
ID = inside diameter	N.C = normally closed	S = scattering parameter	YIG = yttrium-iron-garnet
IF = intermediate frequency	NE = neon	s = second (time)	Zo = characteristic impedance
IMPG = impregnated	NEG = negative	" = second (plane angle)	
in = inch	nF = nanofarad	S.B = slow-blow (fuse) (used in parts list)	
INCD = incandescent	NI PL = nickel plate	SCR = silicon controlled rectifier; screw	
INCL = include(s)	N.O = normally open	SE = selenium	
INP = input	NOM = nominal	SECT = sections	
INS = insulation	NORM = normal	SEMICON = semiconductor	
INT = internal	NPN = negative-positive-negative	SHF = superhigh frequency	
kg = kilogram	NPO = negative-positive zero (zero temperature coefficient)	SI = silicon	
kHz = kilohertz	NRFR = not recommended for field replacement	SIL = silver	
kΩ = kilohm	NSR = not separately replaceable	SL = slide	
kV = kilovolt	ns = nanosecond	SNR = signal-to-noise ratio	
lb = pound	nW = nanowatt	SPDT = single-pole, double-throw	
LC = inductance-capacitance	OB(D) = order by description	SPG = spring	
LED = light-emitting diode	OD = outside diameter	SR = split ring	
LF = low frequency	OH = oval head	SPST = single-pole, single-throw	
LG = long	OP AMPLI = operational amplifier	SSB = single sideband	
LH = left hand	OPT = option	SST = stainless steel	
LIM = limit	OSC = oscillator	STL = steel	
LIN = linear taper (used in parts list)	OX = oxide	SL = slide	
lin = linear	oz = ounce	SNR = signal-to-noise ratio	
LK = lock washer	Ω = ohm	SPDT = single-pole, double-throw	
WASH = lock washer	P = peak (used in parts list)	SR = split ring	
LO = low; local oscillator	PAM = pulse-amplitude modulation	SPST = single-pole, single-throw	
LOG = logarithmic taper (used in parts list)	PC = printed circuit	SSB = single sideband	
log = logarithmic	PCM = pulse-code modulation; pulse-count modulation	SST = stainless steel	
LPF = low pass filter	PDM = pulse-duration modulation	STL = steel	
LV = low voltage	pF = picofarad	SQ = square	
m = meter (distance)	PH BRZ = phosphor bronze	SWR = standing-wave ratio	
mA = milliamper	PHI = Phillips	SYNC = synchronize	
MAX = maximum	PIN = positive-intrinsic-negative	T = timed (slow-blow fuse)	
MΩ = megohm		TA = tantalum	
MEG = meg (10 <sup>6</sup> ) (used in parts list)		TC = temperature compensating	
MET.FLM = metal film		TD = time delay	
MET.OX = metal oxide		TERM = terminal	
MF = medium frequency; microfarad (used in parts list)			

**NOTE**

All abbreviations in the parts list will be in upper case.

**MULTIPLIERS**

Abbreviation	Prefix	Multiple
T	tera	10 <sup>12</sup>
G	giga	10 <sup>9</sup>
M	mega	10 <sup>6</sup>
k	kilo	10 <sup>3</sup>
da	deka	10
d	deci	10 <sup>-1</sup>
c	centi	10 <sup>-2</sup>
m	milli	10 <sup>-3</sup>
μ	micro	10 <sup>-6</sup>
n	nano	10 <sup>-9</sup>
p	pico	10 <sup>-12</sup>
f	femto	10 <sup>-15</sup>
a	atto	10 <sup>-18</sup>

2. Complete serial number, including prefix
3. Description and function of the part
4. Quantity required

### 6-3. HP PART NUMBER ORGANIZATION

Following is a general description of the HP part number system.

### 6-4. COMPONENT PARTS AND MATERIALS

Generally, the prefix of HP part numbers identifies the type of device. Eight digit part numbers are used, where the four digit prefix identifies the type of component, part, or material and the four digit suffix indicates the specific type. Following is a list of some of the more commonly used prefixes for component parts. The list includes HP manufactured parts and purchased parts.

For example, 1854-0037, 1854-0221, and 1851-0192 are all NPN transistors. The first two are silicon and the last is germanium.

#### Commonly-Used Prefixes for Component Parts

Prefix	Component/Part/Material
0121--	Capacitors, Variable (mechanical)
0122--	Capacitors, Voltage Variable (semiconductor)
0140--	Capacitors, Fixed
0150--	Capacitors, Fixed
0160--	Capacitors, Fixed
0180--	Capacitors, Fixed Electrolytic
0330--	Insulating Materials
0340--	Insulators, Formed
0370--	Knobs, Control
0380--	Spacers and Standoffs
0410--	Crystals
0470--	Adhesives
0490--	Relays
0510--	Fasteners
0674- thru 0778-	Resistors, Fixed (non wire wound)
0811- thru 0831-	Resistors (wire wound)
1200-	Sockets for components
1205-	Heat Sinks
1250-	Connectors (RF and related parts)
1251-	Connectors (non RF and replated parts)
1410-	Bearings and Bushings
1420-	Batteries
1820-	Monolithic Digital Integrated Circuits
1826-	Monolithic Linear Integrated Circuits
1850-	Transistors, Germanium PNP
1851-	Transistors, Germanium NPN
1853-	Transistors, Silicon PNP
1854-	Transistors, Silicon NPN
1855-	Field-Effect-Transistors
1900- thru 1912-	Diodes
1920- thru 1952-	Vacuum Tubes
1990-	Semiconductor Photosensitive and Light-Emitting Diodes
3100- thru 3106-	Switches
8120-	Cables
9100-	Transformers, Coils, Chokes, Inductors, and Filters



Table 6-2. Replaceable Parts

REFERENCE DESIGNATION	HP PART NO.	QTY	DESCRIPTION	MFR CODE	MFR PART NO.
	59310-60101	1	BOARD ASSEMBLY, BUS I/O	28480	59310-60101
C1	0180-0374	2	CAPACITOR-FXD 10UF+ -10% 20VDC TA	56289	150D106X9020B2
C2	0180-0374		CAPACITOR-FXD 10UF+ -10% 20VDC TA	56289	150D106X9020B2
C3	0160-0153	2	CAPACITOR-FXD 1000PF + -10% 200WVDC POLYE	56289	292P10292
C4	0160-0155	1	CAPACITOR-FXD 3300PF + -10% 200WVDC POLYE	56289	292P33292
C5	0160-2640	1	CAPACITOR-FXD .01UF + -20% 50WVDC CER	28480	0160-2640
C6	0160-0157	1	CAPACITOR-FXD 4700F + -10% 200WVDC POLYE	56289	29P47292
C7	0160-0153		CAPACITOR-FXD 1000PF + -10% 200WVDC POLYE	56289	292P10292
C8	0160-0154		CAPACITOR-FXD 2200PF + -10% 200WVDC POLYE	56289	292P22292
C9	0160-2197	1	CAPACITOR-FXD 10PF + -5% 300WVDC MICA	28480	0160-2197
C10	0160-0154		CAPACITOR-FXD 2200PF + -10% 200WVDC POLYE	56289	292P2292
C11	0160-0945	1	CAPACITOR-FXD 910PF + -5% 100WVDC MICA	28480	0160-0945
C12	0160-2055	8	CAPACITOR-FXD .01UF + 80-20% 100WVDC CER	28480	0160-2055
C13	0160-2055		CAPACITOR-FXD .01UF + 80-20% 100WVDC CER	28480	0160-2055
C14	0160-2055		CAPACITOR-FXD .01UF + 80-20% 100WVDC CER	28480	0160-2055
C15	0160-2055		CAPACITOR-FXD .01UF + 80-20% 100WVDC CER	28480	0160-2055
C16	0160-2055		CAPACITOR-FXD .01UF + 80-20% 100WVDC CER	28480	0160-2055
C17	0160-2055		CAPACITOR-FXD .01UF + 80-20% 100WVDC CER	28480	0160-2055
C18	0160-2055		CAPACITOR-FXD .01UF + 80-20% 100WVDC CER	28480	0160-2055
C19	0160-2055		CAPACITOR-FXD .01UF + 80-20% 100WVDC CER	28480	0160-2055
CR1	1901-0040	6	DIODE-SWITCHING 30V 50MA 2NS DO-35	28480	1901-0040
CR2	1901-0040		DIODE-SWITCHING 30V 50MA 2NS DO-35	28480	1901-0040
CR3	1901-0040		DIODE-SWITCHING 30V 50MA 2NS DO-35	28480	1901-0040
CR4	1901-0040		DIODE-SWITCHING 30V 50MA 2NS DO-35	28480	1901-0040
CR6	1901-0040		DIODE-SWITCHING 30V 50MA 2NS DO-35	28480	1901-0040
R1	0757-0403	7	RESISTOR 121 1% .125W F TC=0+ -100	24546	C4-1/8-TO-121R-F
R2	0757-0403		RESISTOR 121 1% .125W F TC= + -100	24546	C4-1/8-TO-121R-F
R3	0698-3160	1	RESISTOR 31.6K 1% .125W F TC=0+ -100	24546	C4-1/8-TO-3161-F
R4	0757-0403	1	RESISTOR 121 1% .125W F TC=0+ -100	24546	C4-1/8-TO-121R-F
R5	0757-0403		RESISTOR 121 1% .125W F TC%0+ -100	24546	C4-1/8-TO-121R-F
R6	0757-0403		RESISTOR 121 1% .125W F TC=0+ -100	24546	C4-1/8-TO-121R-F
R7	0757-0438	1	RESISTOR 5.11K 1% .125W F TC=0+ -100	24546	C4-1/8-TO-5111-F
R9	0757-0403		RESISTOR 121 1% .125W F TC=0+ -100	24546	C4-1/8-TO-121R-F
R10	0757-0403		RESISTOR 121 1% .125W F TC=0+ -100	24546	C4-1/8-TO-121R-F
R12	0683-1025	2	RESISTOR 1K 5% .25W FC TC= -400/+600	01121	CB1025
R13	0683-1025		RESISTOR 1K 5% .25W FC TC= -400/+600	01121	CB1025
R14	1810-0121	5	NETWORK-RES 9-PIN-SIP .15-PIN-SPCG	28480	1810-0121
R15	1810-0121		NETWORK-RES 9-PIN-SIP .15-PIN-SPCG	28480	1810-0121
R16	1810-0121		NETWORK-RES 9-PIN-SIP .15-PIN-SPCG	28480	1810-0121
R17	1810-0121		NETWORK-RES 9-PIN-SIP .15-PIN-SPCG	28480	1810-0121
R18	1810-0041	2	NETWORK-RES 9-PIN-SIP .15-PIN-SPCG	28480	1810-0041
R19	1810-0121		NETWORK-RES 9-PIN-SIP .15-PIN-SPCG	28480	1810-0121
R20	1810-0136	2	NETWORK-RES 10-PIN-SIP .1-PIN-SPCG	28480	1810-0136
R21	1810-0136		NETWORK-RES 10-PIN-SIP .1-PIN-SPCG	28480	1810-0136
R22	1810-0041		NETWORK-RES 9-PIN-SIP .15-PIN-SPCG	28480	1810-0041
S1	3101-1983	2	SWITCH-TGL DIP ROCKER ASSEMBLY 8-1A NS	81073	76YY2078
S2	3101-1983		SWITCH-TGL DIP ROCKER ASSEMBLY 8-1A NS	81073	76YY2078

See introduction to this section for ordering information

Table 6-2. Replaceable Parts (Continued)

REFERENCE DESIGNATION	HP PART NO.	QTY	DESCRIPTION	MFR CODE	MFR PART NO.
U13	1820-0054	8	IC SN74 00 N GATE	01295	SN7400N
U14	1820-1112	7	IC SN74LS 74 N FLIP-FLOP	01295	SN74LS74N
U15	1820-1112		IC SN74LS 74 N FLIP-FLOP	01295	SN74LS74N
U16	1820-0054		IC SN74 00 N GATE	01295	SN7400N
U17	1820-0054		IC SN74 00 N GATE	01295	SN7400N
U18	1820-1080	11	IC N8T13B DRIVER	18324	N8T138
U21	1820-1112		IC SN74LS 74 N FLIP-FLOP	01295	SN74LS74N
U22	1820-1112		IC SN74LS 74 N FLIP-FLOP	01295	SN74LS74N
U23	1820-1056	3	IC SN74 132 N SCHMITT	01295	SN74132N
U24	1820-1112		IC SN74LS 74 N FLIP-FLOP	01295	SN74LS74N
U25	1820-1112		IC SN74LS 74 N FLIP-FLOP	01295	SN74LS74N
U26	1820-0328	3	IC SN74 02 N GATE	01295	SN7402N
U27	1820-0068	7	IC SN74 10 N GATE	01295	SN7410N
U28	1820-1080		IC N8T13B DRIVER	18324	N8T13B
U31	1820-0511	6	IC SN74 08 N GATE	01295	SN7408N
U32	1820-0328		IC SN74 02 N GATE	01295	SN7402N
U33	1820-0174	2	IC SN74 04 N INV	01295	SN7404N
U34	1820-1112		IC SN74LS 74 N FLIP-FLOP	01295	SN74LS74N
U35	1820-0328		IC SN74 02 N GATE	01295	SN7402N
U36	1820-0068		IC SN74 10 N GATE	01295	SN7410N
U37	1820-1056		IC SN74 132 N SCHMITT	01295	SN74132N
U38	1820-0054		IC SN74 00 N GATE	01295	SN7400N
U41	1820-0515	1	IC MV	07263	9602PC
U42	1820-0537	1	IC SN74 13 N SCHMITT	01295	SN7413N
U43	1820-0068		IC SN74 10 N GATE	01295	SN7410N
U44	1820-0511		IC SN74 08 N GATE	01295	SN7408N
U45	1820-0539	1	IC SN74 37 N BUFFER	01295	SN7437N
U46	1820-0054		IC SN74 00 N GATE	01295	SN7400N
U47	1820-0511		IC SN74 08 N GATE	01295	SN7408N
U48	1820-0511		IC SN74 08 N GATE	01295	SN7408N
U51	1820-1084	3	IC N8T09B DRIVER	18324	N8T09B
U52	1820-0054		IC SN74 00 N GATE	01295	SN7400N
U53	1820-0069	2	IC SN74 20 N GATE	01295	SN7420N
U54	1820-0214	2	IC:TTL BCD-TO-DECIMAL DECODER	01295	SN7442N
U55	1820-0069		IC SN74 20 N GATE	01295	SN7420N
U56	1820-1100	2	IC SN74 298 N MUXR	01295	SN74298N
U57	1820-1196	2	IC SN74LS 174 N FLIP-FLOP	01295	SN74LS174N
U58	1820-1049	3	IC DMB0 97N BUFFER	27014	DM8097N
U61	1820-0621	2	IC SN74 38 N BUFFER	01295	SN7438N
U62	1820-0068		IC SN74 10 N GATE	01295	SN7410N
U63	1820-1084		IC N8T09B DRIVER	18324	N8T09B
U64	1816-0188	1	IC 256-BIT ROM TTL	28480	1816-0188
U65	1820-1195	7	IC SN74LS 175 N FLIP-FLOP	01295	SN74LS175N
U66	1820-1100		IC SN74 298 N MUXR	01295	SN74298N
U67	1820-1196		IC SN74 LS174N FLIP-FLOP	01295	SN74LS174N
U68	1820-1049		IC DMB0 97N BUFFER	27014	DM8097N
U71	1820-1056		IC SN74 132 N SCHMITT	01295	SN74132N
U72	1820-1053	5	IC SN74 14 N SCHMITT	01295	SN7414N
U73	1820-1084		IC N8T09B DRIVER	18324	N8T09B
U74	1820-1080		IC N8T138 DRIVER	18324	N8T13B

See introduction to this section for ordering information

Table 6-2. Replaceable Parts (Continued)

REFERENCE DESIGNATION	HP PART NO.	QTY	DESCRIPTION	MFR CODE	MFR PART NO.
U75	1820-0084	1	IC SN74 53 N GATE	01295	SN7453N
U76	1820-1195		IC SN74LS 175 N FLIP-FLOP	01295	SN74LS175N
U77	1820-1195		IC SN74LS 175 N FLIP-FLOP	01295	SN74LS175N
U78	1820-1049		IC DM80 97N BUFFER	27014	DM8097N
U81	1820-1053		IC SN74 14 N SCHMITT	01295	SN7414N
U82	1820-0068		IC SN74 10 N GATE	01295	SN7410N
U83	1820-1053		IC SN74 14 N SCHMITT	01295	SN7414N
U84	1820-0070	2	IC SN74 30 N GATE	01295	SN7430N
U85	1820-1082	1	IC SN74 147 N ENCODER	01295	SN74147N
U86	1820-1195		IC SN74LS 175 N FLIP-FLOP	01295	SN74LS175N
U87	1820-1080		IC N8T13B DRIVER	18324	N8T13B
U88	1820-1080		IC N8T13B DRIVER	18324	N8T13B
U91	1820-0621		IC SN74 38 N BUFFER	01295	SN7438N
U92	1820-0054		IC SN74 00 N GATE	01295	SN7400N
U93	1820-0214		IC:TTL BCD-TO-DECIMAL DECODER	01295	SN7442N
U94	1820-1053		IC SN74 14 N SCHMITT	01295	SN7414N
U95	1820-0174		IC SN74 04 N INV	01295	SN7404N
U96	1820-1195		IC SN74LS 175 N FLIP-FLOP	01295	SN74LS175N
U97	1820-1080		IC N8T13B DRIVER	18324	N8T13B
U98	1820-1080		IC N8T13B DRIVER	18324	N8T13B
U101	1820-0782	1	IC SN74 27 N GATE	01295	SN7427N
U102	1820-0511		IC SN74 08 N GATE	01295	SN7408N
U103	1820-0068		IC SN74 10 N GATE	01295	SN7410N
U104	1820-0068		IC SN74 10 N GATE	01295	SN7410N
U105	1820-1053		IC SN74 14 N SCHMITT	01295	SN7414N
U106	1820-1195		IC SN74LS 175 N FLIP-FLOP	01295	SN74LS175N
U107	1820-1080		IC N8T13B DRIVER	18324	N8T13B
U108	1820-1080		IC N8T13B DRIVER	18324	N8T13B
U112	1820-0054		IC SN74 00 N GATE	01295	SN7400N
U113	1820-0706	1	IC COMPTR	07263	9324DC
U114	1820-0070		IC SN74 30 N GATE	01295	SN7430N
U115	1820-0511		IC SN74 08 N GATE	01295	SN7408N
U116	1820-1195		IC SN74LS 175 N FLIP-FLOP	01295	SN74LS175N
U117	1820-1080		IC N8T13B DRIVER	18324	N8T13B
U118	1820-1080		IC N8T13B DRIVER	18324	N8T13B
W1	8159-0005	1	WIRE 22AWG W PVC 1X22 80C	0073G	L-2007-1
			MISCELLANEOUS PARTS		
	5040-6001	1	EXTRACTOR:PC BOARD	28480	5040-6001
	1480-0116	2	EXTRACTOR PIN:1/16" DIA	73957	GP24-063X250-12
	5040-6065	1		28480	5040-6065
	1480-0116		EXTRACTOR PIN:1/16" DIA	73957	GP24-063X250-12

See introduction to this section for ordering information

Table 6-3. Manufacturers Code List

MFR NO.	MANUFACTURER NAME	ADDRESS	ZIP CODE
01121	ALLEN BRADLEY CO	MILWAUKEE, WI	53212
01295	TEXAS INSTR INC SEMICONDUCTOR CMPNT DIV	DALLAS, TX	75231
07263	FAIRCHILD SEMICONDUCTOR DIV	MOUNTAIN VIEW, CA	94040
16299	CORNING GL WK ELEC CMPNT DIV	RALEIGH, NC	27604
18324	SIGNETICS CORP	SUNNYVALE, CA	94086
22526	BERG ELECTRONIC INC	CUMBERLAND PA	17070
24546	CORNING GLASS WORKS (BRADFORD)	BRADFORD, PA	16701
27014	NATIONAL SEMICONDUCTOR CORP	SANTA CLARA, CA	95051
28480	HEWLETT-PACKARD CO CORPORATE HQ	PALO ALTO, CA	94304
56289	SPRAGUE ELECTRIC CO	NORTH ADAMS, MA	01247





# SCHEMATIC DIAGRAMS

SECTION

VII

## 7-1. INTRODUCTION

This section contains information for schematic diagram notes, reference designation system, identification markings on PC board, an overall block diagram, schematic simplified logic diagram and component locator.

## 7-2. SCHEMATIC DIAGRAM NOTES

Figure 7-1 shows the symbols used on the schematic diagrams. Notes are also included on each schematic diagram.

## 7-3. IDENTIFICATION MARKINGS ON PRINTED-CIRCUIT BOARDS

HP printed circuit boards (see figure 7-1) have four identification numbers; an assembly part numbers, a date code, a revision letter, and a production code.

The assembly part number has 10 digits (such as 59310-60101) and is the primary identification. All assemblies with the same part number are interchangeable. When a production change is made on an assembly that makes it incompatible with previous assemblies, a change in part number is required. The date code (such as 1812) is used to document minor electrical changes. As changes are made, the date code is incremented. When replacement boards are ordered, you may receive a replacement with a different date code. If there is a difference between the date code

marked on the board and the schematic in this manual, a minor electrical difference exists. If it is a higher number, refer to the loose leaf manual change sheets for this manual. If the manual change sheets are missing, contact your local Hewlett-Packard Sales and Service Office. See the listing on the back cover of this manual.

Revision letters (A, B, etc.) denote changes in printed circuit layout. For example, if a capacitor type is changed (electrical value may remain the same) and requires different spacing for its leads, the printed circuit board layout is changed and the revision letter is incremented to the next letter. The production code is the four digit, seven segment number used for production purposes.

Symbols are used on PC boards to aid in identifying pin numbers, diode elements etc. as follows:

- △ OR □ IDENTIFIES: Pin 1 of dip and flat-pack IC's.
- Tab of TO cases.
- + side of electrolytic capacitors.
- Pin 1 of resistor packs.
- Cathode of diodes.
- Section 1 of dip switches.

## 7-4. COMPONENT LOCATORS

Figure 7-4 component locator for the printed circuit assembly is next to the schematic.

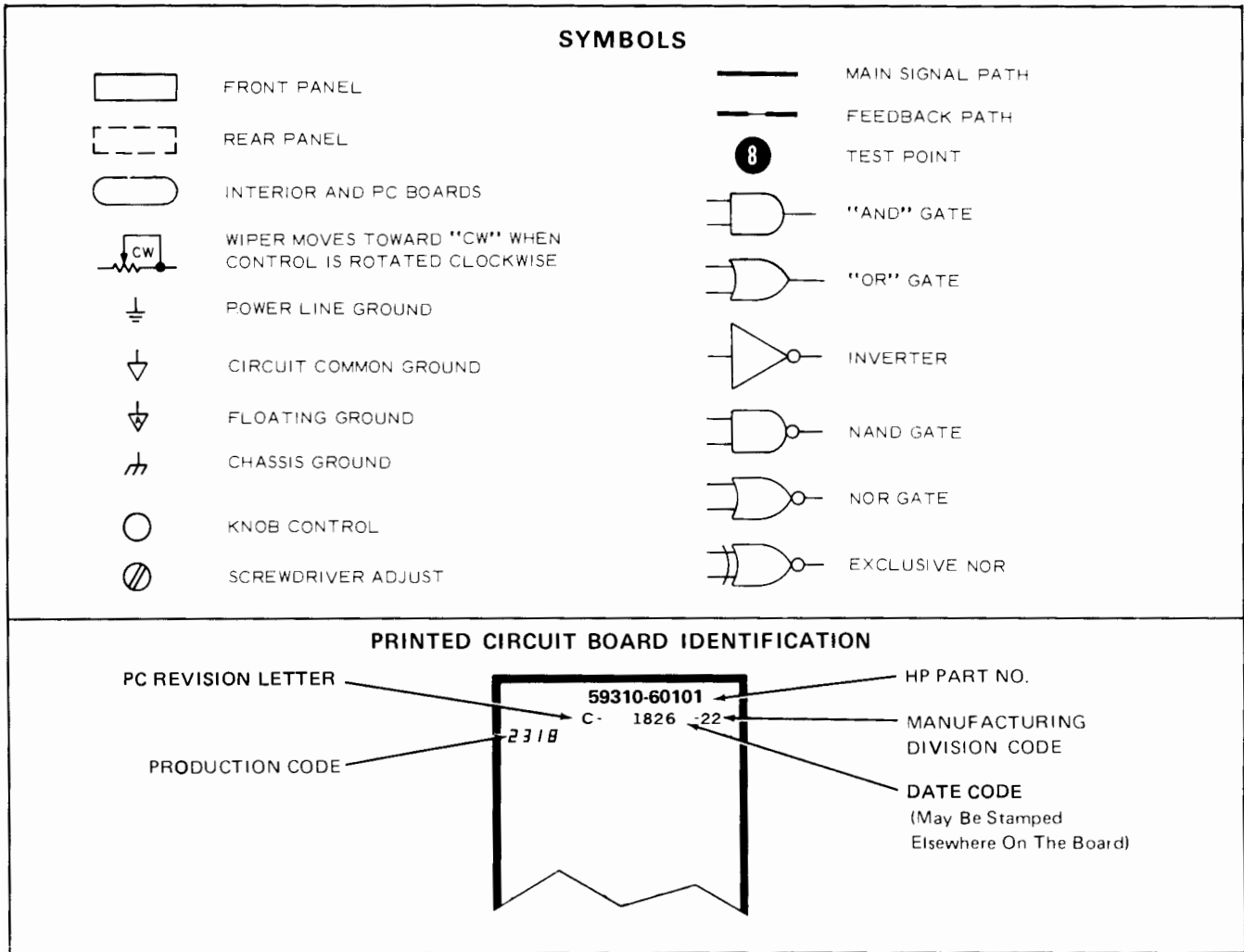


Figure 7-1. Schematic Diagram Notes



RD  
PUT  
ALS

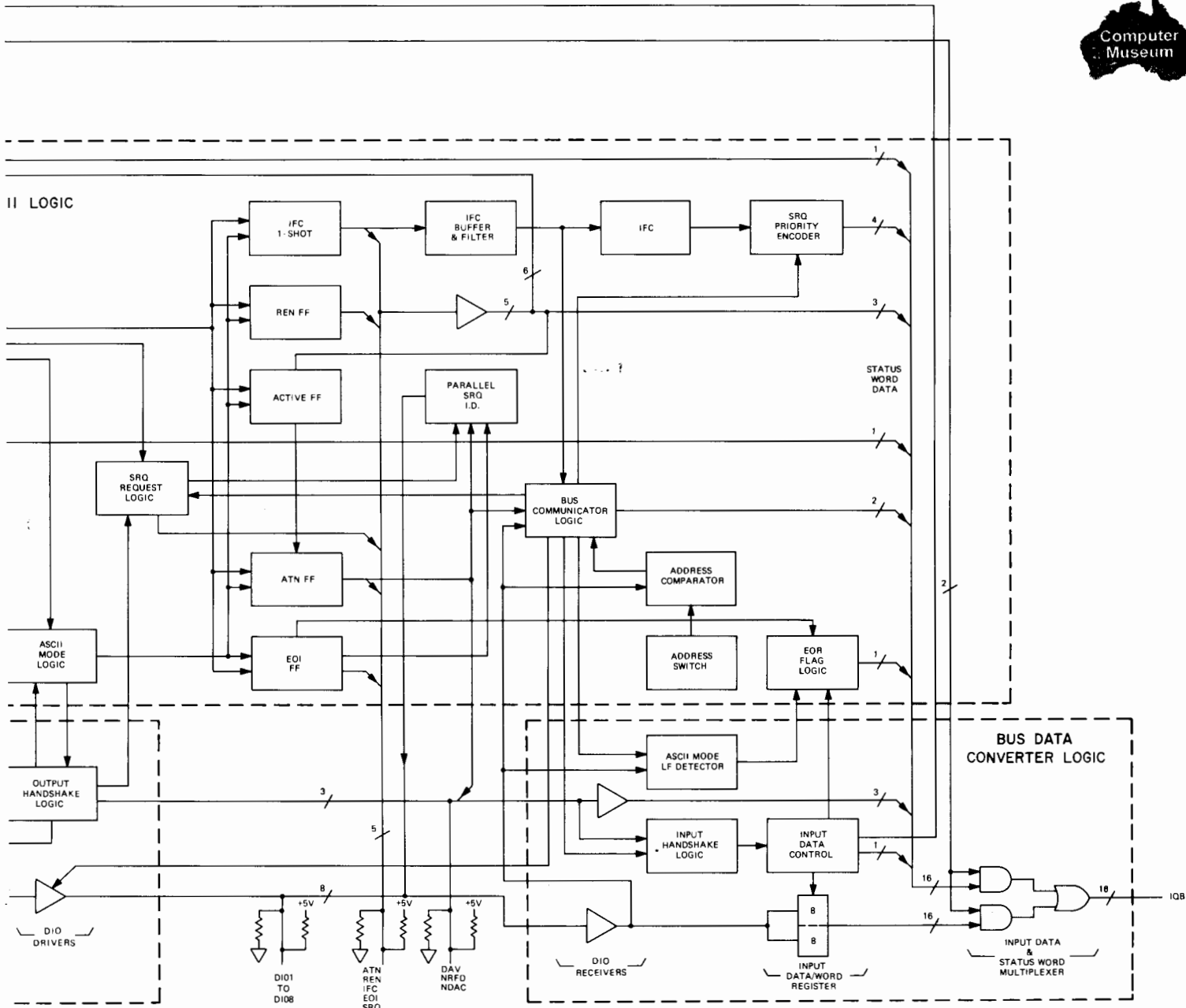
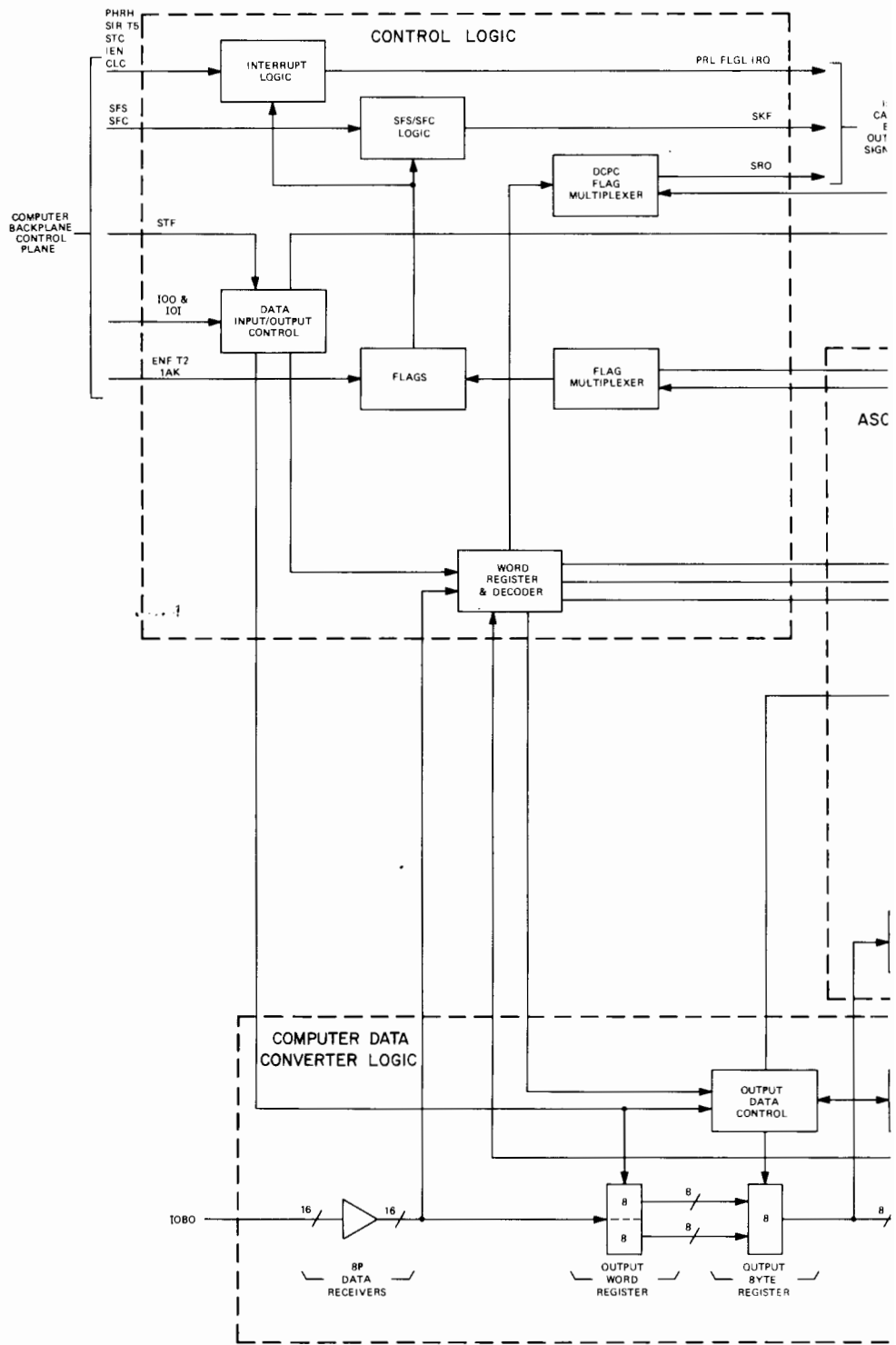
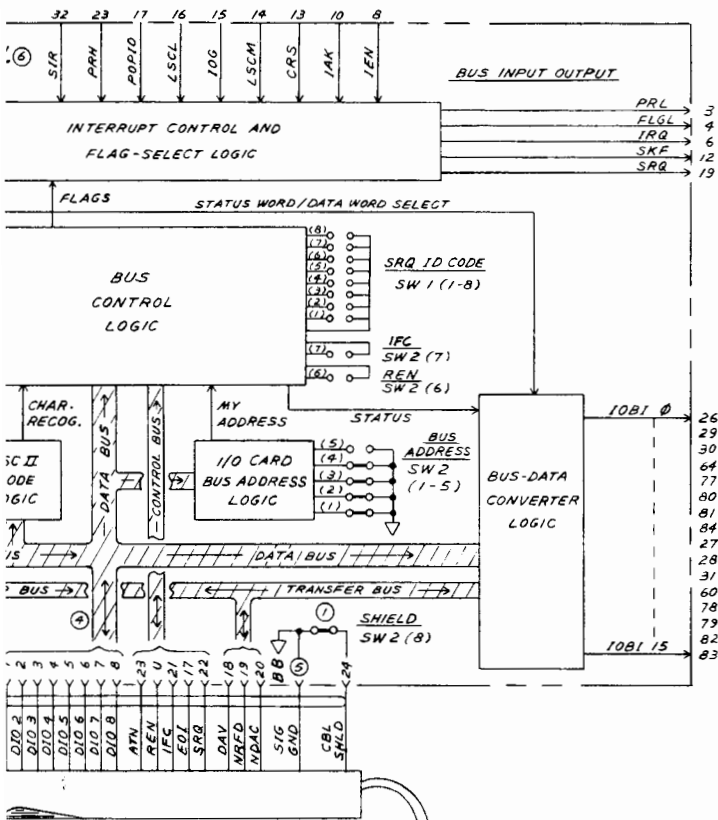


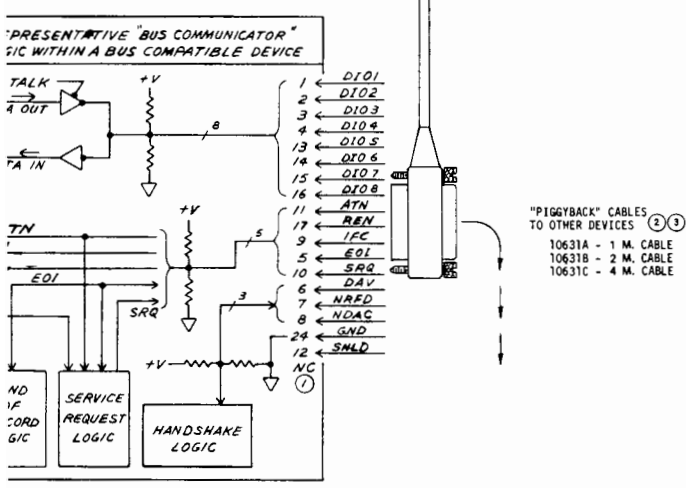
Figure 7-2. 59310B Interface Block Diagram





TEST-POINTS

I/O CARD CONTROL WORD BIT #'s	CONTROL WORD FUNCTION	TEST-POINT TO VERIFY ACTION			
		ACCESS PT ON CARD (6)	CABLE PIN I/O BUS	STATUS WD. BIT	
2 - 8	IFC (100µs)	U41 (6) $\uparrow$	21	9	-
	REN	U43 (6) $\uparrow$	U	17	8
	ACTIVE	U21 (9) $\downarrow$	-	-	4
	FORCE INPUT CYCLE	U54 (7) $\downarrow$	-	-	-
	CLEAR I/O CARD	U54 (9) $\downarrow$	-	-	-
6 - 3	ATN	U21 (5) $\downarrow$	23	11	7
	EOI	U22 (6) $\downarrow$	17(7)	5(7)	-
	TALK	TP-2 $\downarrow$	-	-	5
	LISTEN	TP-3 $\downarrow$	-	-	6
11 - 8 (BIT 7 ENABLES)	ASCII MODE	U65 (10) $\downarrow$	-	-	-
	SRQ ENABLE	U65 (15) $\downarrow$	22(7)	10(7)	-
	DMA R/W SELECT	U65 (2) $\downarrow$	-	-	-
	PACKING/UNPACKING	U65 (7) $\downarrow$	-	-	-
15 - 12 (BIT 7 ENABLES)	EOR FLAG EN.	U76 (15) $\downarrow$	-	-	12
	ORA FLAG EN.	U76 (10) $\downarrow$	-	-	13
	IRL FLAG EN.	U76 (7) $\downarrow$	-	-	14
	SEP FLAG EN.	U76 (2) $\downarrow$	-	-	15



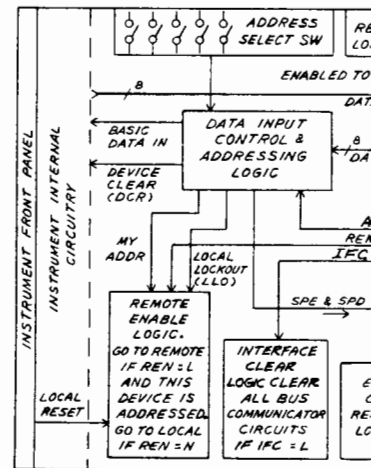
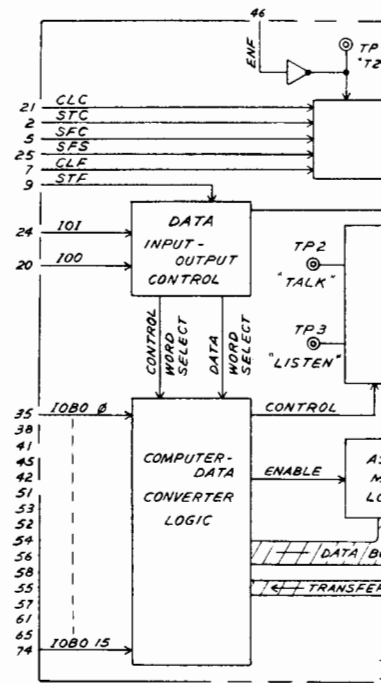
- NOTES:
- ① The cable shield is grounded only once, and is done at the System Controller.
  - ② The maximum accumulated cable length (per bus) is 20 meters, total.
  - ③ A bus cable network must not exceed an average of one "standard load" device for each 2 meters of bus cable, i.e.:  

$$\frac{\text{TOTAL CABLE LENGTH}}{\text{NUMBER OF DEVICES}} < 2 \text{ meters/device}$$
 Remember that the I/O card must be counted as one of the devices.
  - ④ The I/O card's circuitry has one "Standard Load" on each bus signal line.
  - ⑤ Bus cable signal grounds are connected to I/O card common at connector pins V, W, X, Y, Z, AA and BB.
  - ⑥ Use TP-1 (2100 time "t2") to sync scope for dynamic tests.
  - ⑦ State of these signal lines is dependent on other I/O card functions that are programmed.

BUS SIGNAL LINE CONVENTIONS

MNEMONIC PREFIX	"TRUE" LOGIC STATE	VOLTAGE LEVEL
NONE	LOW	$\approx +0.4V$
N	HIGH	$\approx +2.4V$

Figure 7-3. 59310B Simplified Logic Diagram  
 (Sheet 1 of 2)  
 7-5/7-6



I/O CARD FUNCTIONS		
CODE		
	OCTAL	DECIMAL
B	33	27.
)	2	2.
)	3	3.
)	16	14.
)	17	15.

WITHIN THE ASCII-CODE SET

ASCII	LISTEN ADDRESS	DEVICE	TALK ADDRESS
X H L H	X H L L	X L H H	X L H L
2	3	4	5
DECIMAL SYMBOLIC ADDRESS	OCTAL DECIMAL SYMBOLIC ADDRESS	OCTAL DECIMAL SYMBOLIC ADDRESS	OCTAL DECIMAL SYMBOLIC ADDRESS
32. SP	60 48. 0	100 64. @	120 80. P
33. !	61 49. 1	101 65. A	121 81. Q
34. "	62 50. 2	102 66. B	122 82. R
35. #	63 51. 3	103 67. C	123 83. S
36. \$	64 52. 4	104 68. D	124 84. T
37. %	65 53. 5	105 69. E	125 85. U
38. &	66 54. 6	106 70. F	126 86. V
39. '	67 55. 7	107 71. G	127 87. G
40. (	70 56. 8	110 72. H	130 88. X
41. )	71 57. 9	111 73. I	131 89. Y
42. *	72 58. :	112 74. J	132 90. Z
43. +	73 59. ;	113 75. K	133 91. [
44. ,	74 60. <	114 76. L	134 92. \
45. -	75 61. =	115 77. M	135 93. ]
46. .	76 62. >	116 78. N	136 94. ^
47. /	77 63. ?	117 79. O	137 95. _
	UNLISTEN COMMAND		UNTALK COMMAND

.kout. SPE = Status Poll Enable.  
ear. SPD = Status Poll Disable.  
for DIO = Data Input Output  
segment Signal Lines.  
COLUMNS DIO1-8  
E NOT USED.

```

PAGE 0002 #01 AND 59310A GPIB SUBSYSTEM TOGGLE TEST PROGRAM

0001          ASMB,A,B,L
0003 00100          ORG 100H
0004
0005          THIS TOGGLE PROGRAM PROVIDES FOR COMPLETE FUNCTION
0006          PROGRAMMING OF THE 59310-62101 BUS I/O CARD, PLUS
0007          CONTROL OF INDIVIDUAL SIGNAL LINES WITHIN THE BUS
0008          CABLE. IT MAY BE RUN WITH OR WITHOUT INSTRUMENTS
0009          ON THE BUS.
0010
0011          SPECIFIC BIT PATTERNS ARE ENTERED VIA THE COMPUTER'S
0012          FRONT PANEL REGISTERS, BOTH AS CONTROL WORDS TO THE
0013          I/O CARD AND AS DATA WORDS TO THE BUS DIO SIGNAL LINES.
0014
0015          THE PROGRAM RETURNS THE I/O CARD'S STATUS WORD
0016          IN THE B REGISTER.
0017
0018          ACTION CAUSED BY SPECIFIC CONTROL WORDS CAN BE CHECKED
0019          AT ACCESS POINTS ON THE I/O CARD, AT THE CABLE
0020          CONNECTORS AND/OR IN THE STATUS WORD RETURNED IN THE
0021          B REGISTER.
0022
0023          TEST EQUIPMENT FOR CONVENIENCE IN LOGIC LEVEL TESTING:
0024          LOGIC PROBE          LOGIC CLIP          FIXTURE FOR BUS CABLE
0025          HP 10520T          HP 10528A          HP P/N 0060-0124
0026
0027
0028          TO USE THIS PROGRAM:
0029          1. LOAD THE PROGRAM BELOW, USING THE COMPUTER FRONT
0030             PANEL CONTROLS AND ENTERING THE I/O CARD'S
0031             SELECT CODE (SC) WHERE REQUIRED.
0032          2. SET STARTING ADDRESS = 100 OCTAL, AND PRESS
0033             BOTH PRESET BUTTONS.
0034          3. SET CONTENTS OF THE REGISTERS AS APPROPRIATE:
0035             DATA TO THE BUS DIO SIGNAL LINES = - - - B REG,
0036             CONTROL WORD TO THE BUS I/O CARD = - - - A REG,
0037
0038          NOTES: THE FIRST WORD OUTPUT TO THE 59310B
0039             FOLLOWING A 'STC SC,C' INSTRUCTION IS
0040             ALWAYS CONSIDERED TO BE A CONTROL WORD.
0041             ANY SUBSEQUENT WORDS ARE TREATED AS DATA
0042             UNTIL ANOTHER 'STP SC' INSTRUCTION IS
0043             ENCOUNTERED.
0044
0045             THE DATA IN THE SWITCH REG. IS OFFSET ONE
0046             PLACE FROM THE DIO LINES FOR CONVENIENCE IN
0047             USING OCTAL FORMAT! I.E., BIT 0 OF THE
0048             B REG. = DIO LINE 1, BIT 1 OF B REG. = DIO 2,
0049             ETC.
0050
0051          4. PRESS 'RUN', THE PROGRAM HALTS.
0052             OBSERVE I/O CARD'S STATUS WORD = - - - B REG.
0053          5. NOTE THAT THE DIO LINES ARE SET ONLY IF THE I/O
0054             CARD IS PROGRAMMED TO 'TALK' OR 'HRE' IS SET LOW.
0055          6. OBSERVE OTHER RESULTS, AND REPEAT STEPS 3-6
0056             AS APPROPRIATE.
0057
0058          00100 004114  START LDB B7          GET CLEAR CODE
0059          0008 00101 102177  STP SC          CLEAR I/O FOR USE W/O HANDSHAKE
0060          0001 00102 106677  OTB SC
0061          0008 00103 106577  LIB SC          GET STATUS/READY I/O CARD
0062          0003 00104 102177  STP SC          RELEASE CARD FROM CLEAR MODE
0063          0004 00105 102677  OTA SC          SEND A REG AS CONTROL WORD
0064          0000 00106 100501  LIB I          GET SW REG
0065          0000 00107 107677  OTB SC,C      SEND DATA TO I/O LINES
0066          0007 00110 102177  STP SC
0067          0008 00111 100577  LIB SC          GET STATUS WD FROM I/O CARD
0068          0000 00112 102000  MLT 00      (NDP FOR CONTINUOUS LOOPING)
0069          0070 00113 024100  JMP START
0070
0071
0072          00114 000007  B7  OCT 7          CODE TO CLEAR I/O CARD
0073          00077          SC  EQU 77B      SELECT CODE OF I/O CARD
0074
0075          END
0076
0077          ** NO ERRORS! AND ASMB,20117-400610
    
```

NOTES

- (A) Data is put on the DIO Signal Lines only if the I/O card is programmed to TALK, or if the ATN line is programmed LOW.
- (B) ESCAPE (ESC) Key on HP 2754B (ASR-35) is OCT 176; to get OCT 33, Press CTRL-SHIFT-K.

Figure 7-3. 59310B Simplified Logic Diagram

(Sheet 2 of 2)



ASCII-MODE	
FUNCTION	ASCII (TTY KEY)
IFC (100µs)	ESC (ESC)
REN = L	STX (CTRL-E)
= H	ETX (CTRL-C)
ATN = L	SO (CTRL-P)
= H	SI (CTRL-C)

GENERAL BUS-CODE ALLOCATIONS

DIO LINES				UNIVERSAL BUS COMMANDS						DE	
8	7	6	5	COLUMN → 0			1				
				ROW ↓	OCTAL	DECIMAL	BUS COMMAND	OCTAL	DECIMAL	BUS COMMAND	OCTAL
H	H	H	H	0	0	0.	20	16.	40		
H	H	H	L	1	1	1.	21	17.	LLO	41	
H	H	L	H	2	2	2.	22	18.	R*	42	
H	H	L	L	3	3	3.	23	19.	R*	43	
H	L	H	H	4	4	4.	24	20.	DCR	44	
H	L	H	L	5	5	5.	25	21.		45	
H	L	L	H	6	6	6.	26	22.		46	
H	L	L	L	7	7	7.	27	23.		47	
L	H	H	H	8	8	8.	30	24.	SPE	50	
L	H	H	L	9	9	9.	31	25.	SPD	51	
L	H	L	H	10	10	10.	32	26.		52	
L	H	L	L	11	11	11.	33	27.		53	
L	L	H	H	12	12	12.	34	28.	R*	54	
L	L	H	L	13	13	13.	35	29.	R*	55	
L	L	L	H	14	14	14.	36	30.		56	
L	L	L	L	15	15	15.	37	31.		57	

H = High State.  
 L = Low State.  
 X = Unused when MRE is low.  
 [ ] = Control Bits.

LLO = Local Lo  
 DCR = Device C  
 R\* = Reserved  
 future a

NOTE THAT ASCII 6 AND 7 ARE

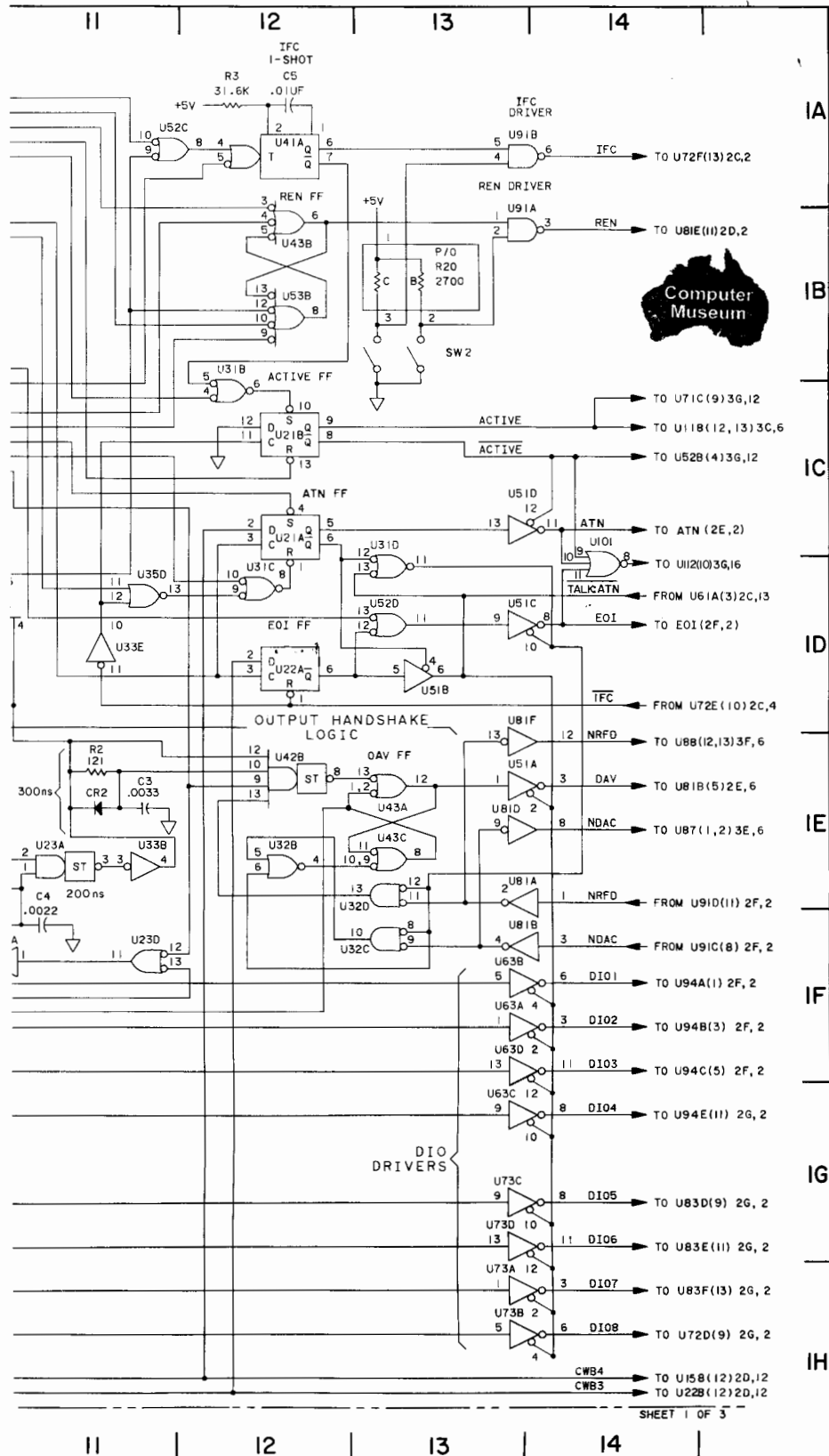


Figure 7-5. 59310B Schematic Diagram (Sheet 1 of 3)

6

7

8

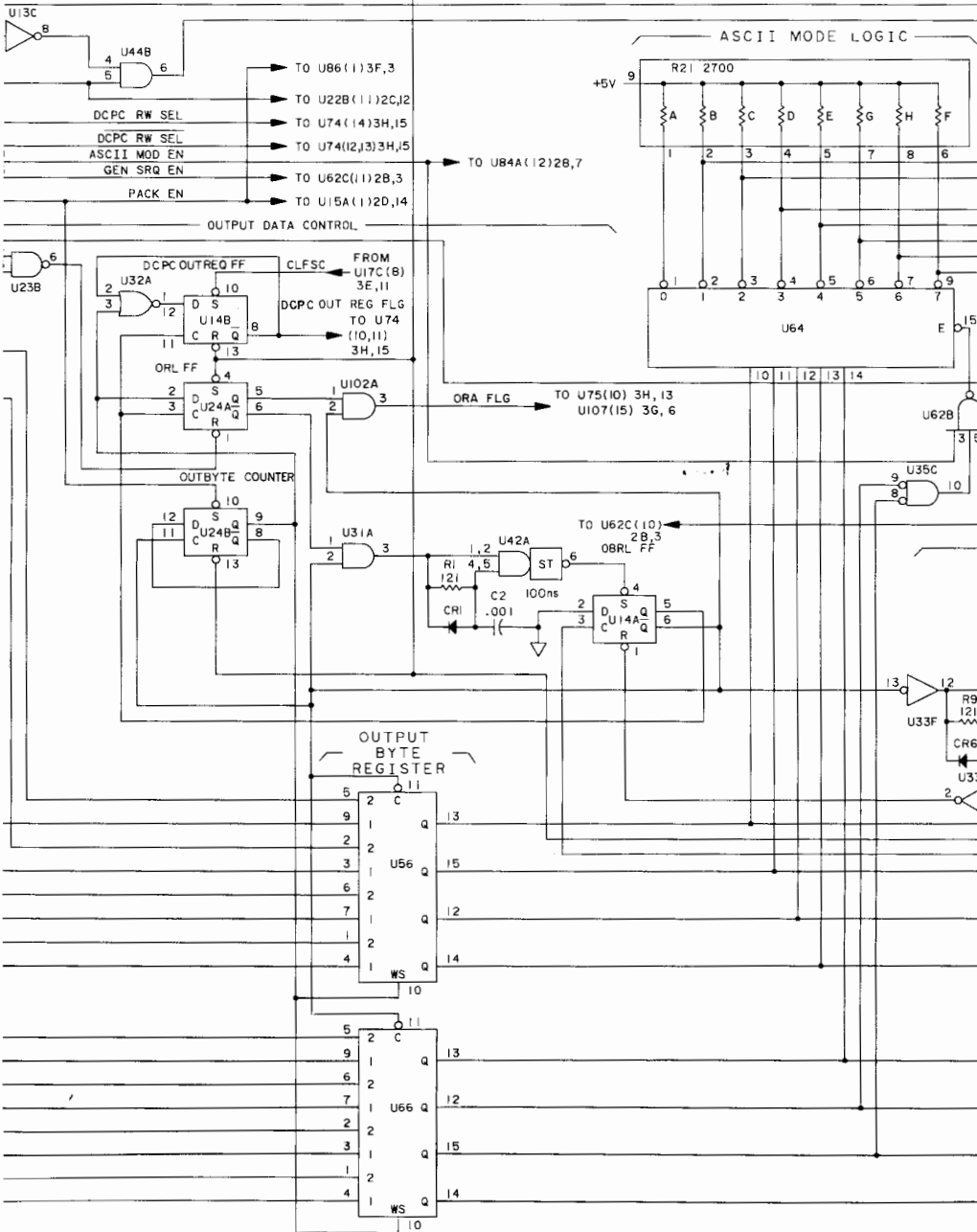
9

10

BUS INPUT/OUTPUT CARD (59310-60101) DATE CODE 1826

INPUT DATA CMD  
INT OUTPUT CMD

TO U23C(10)2E,13  
TO U25B(10)2E,14



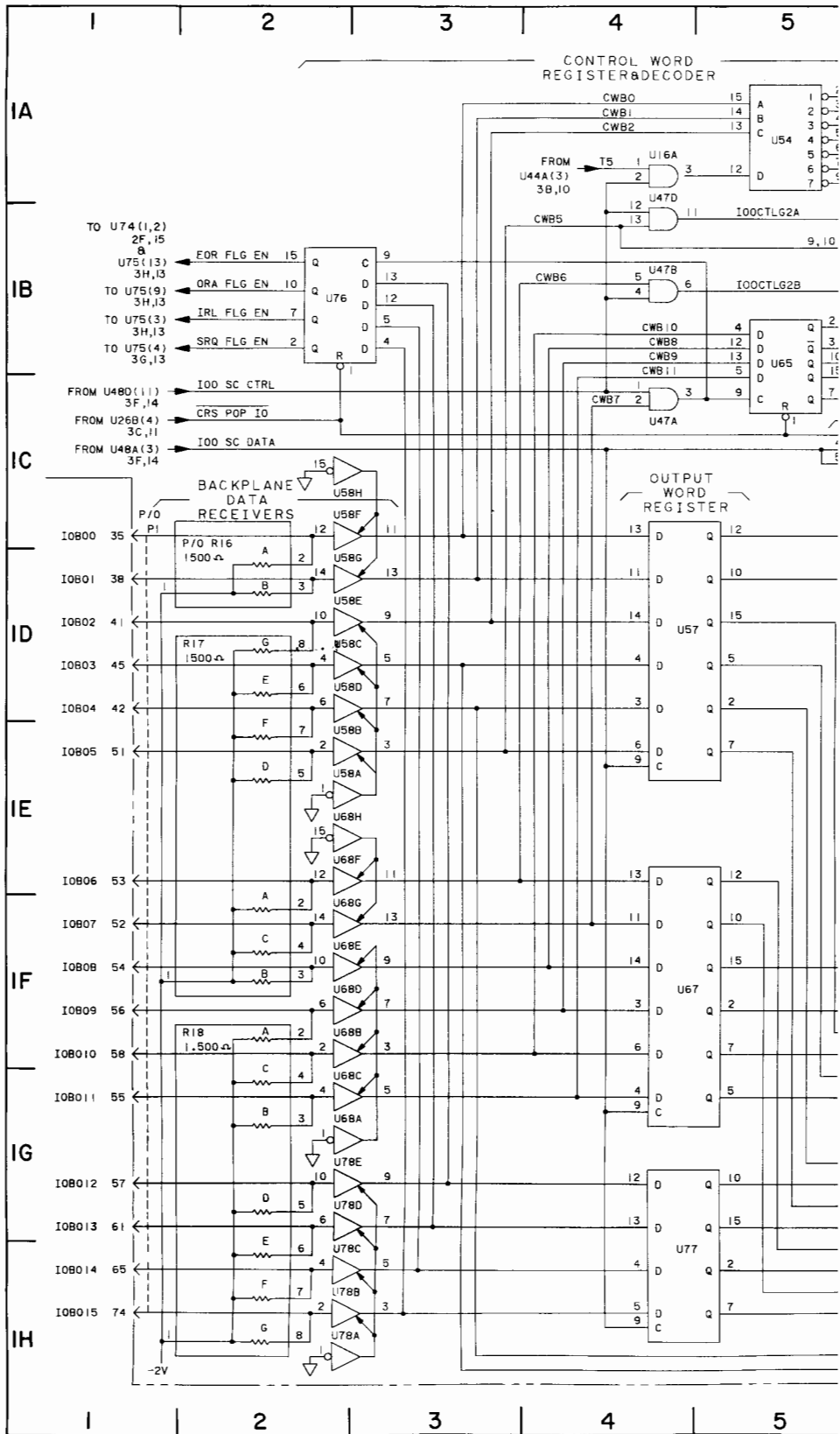
6

7

8

9

10



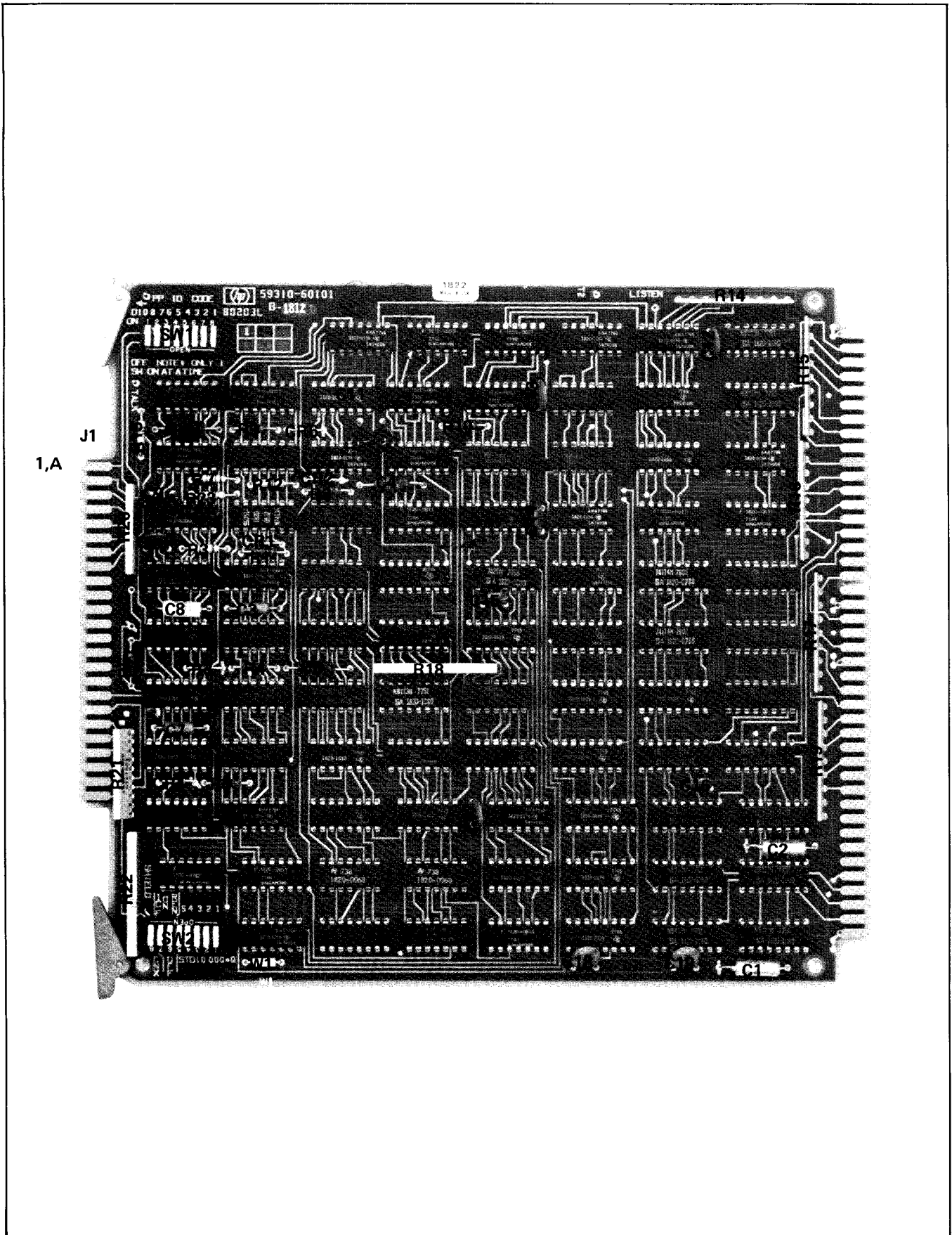


Figure 7-4. 59310B Component Locator

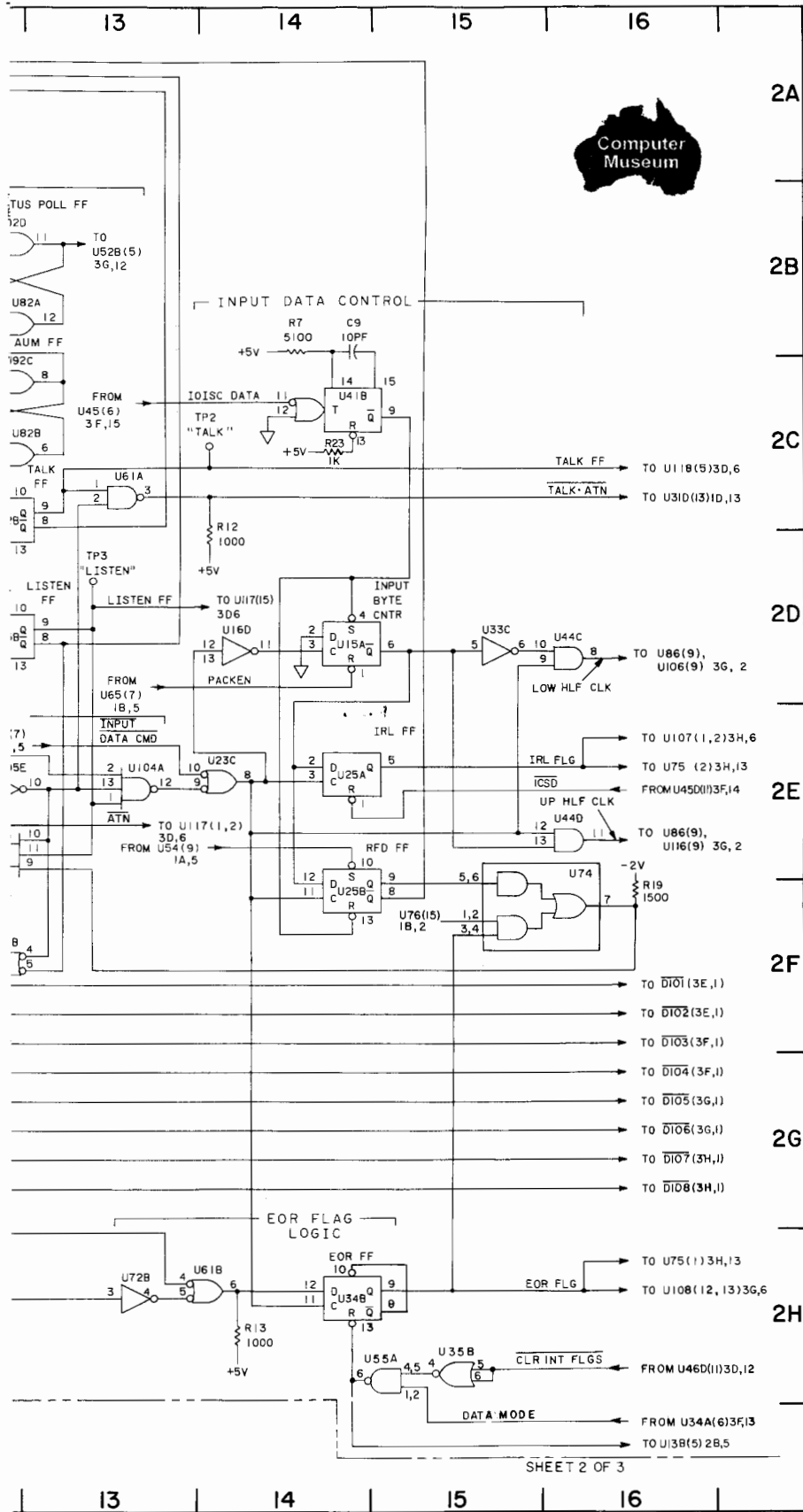
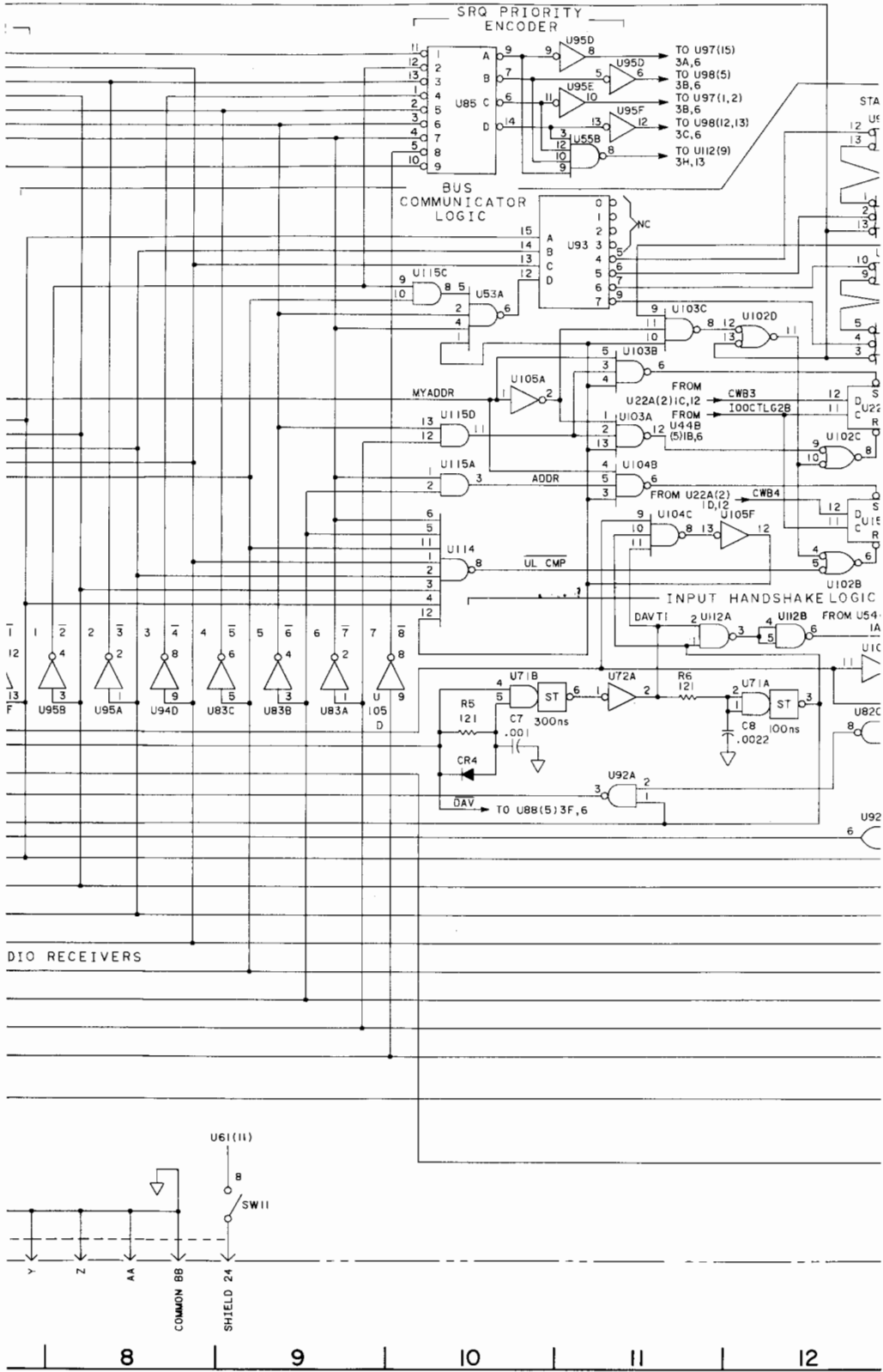
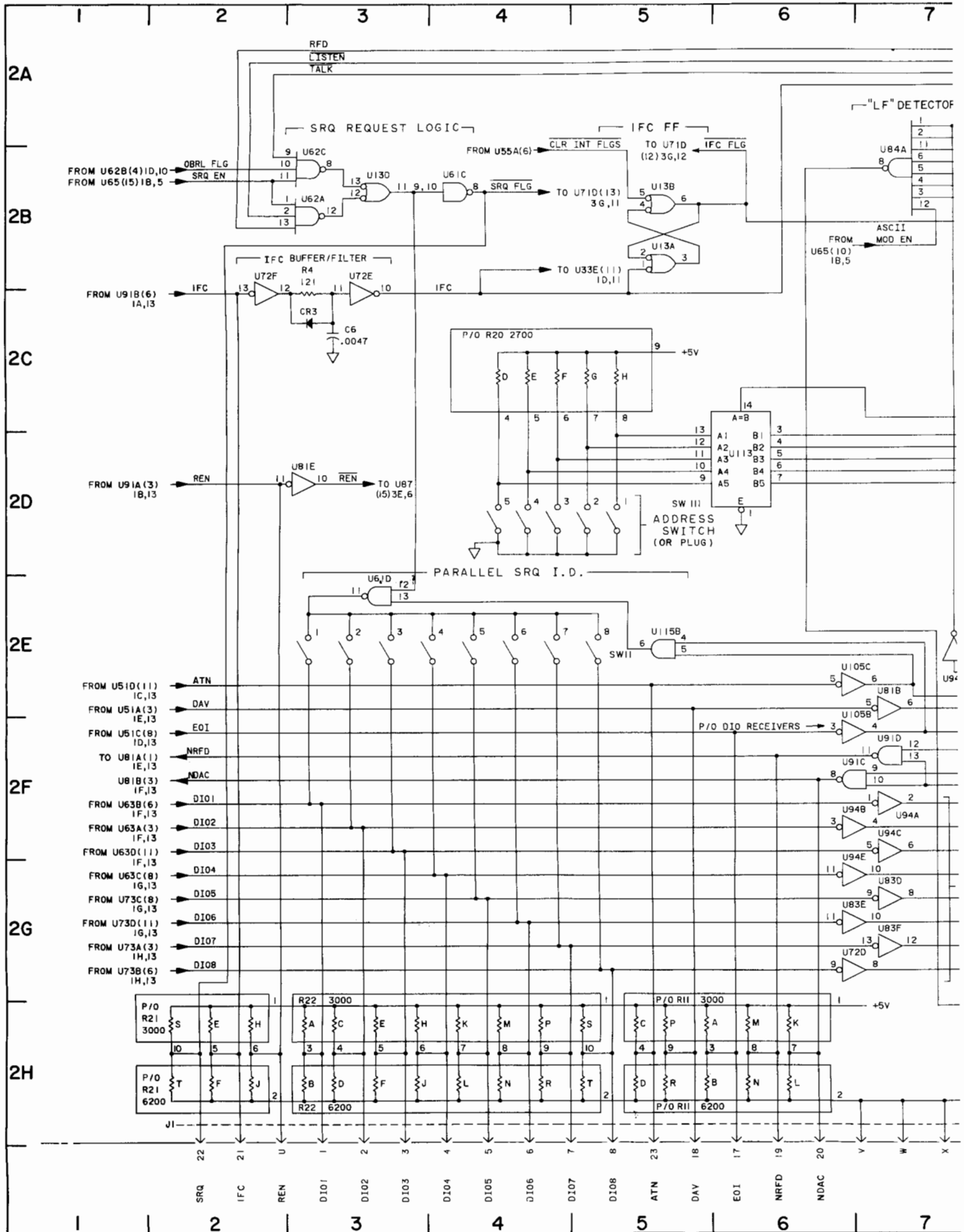


Figure 7-5. 59310B Schematic Diagram (Sheet 2 of 3)







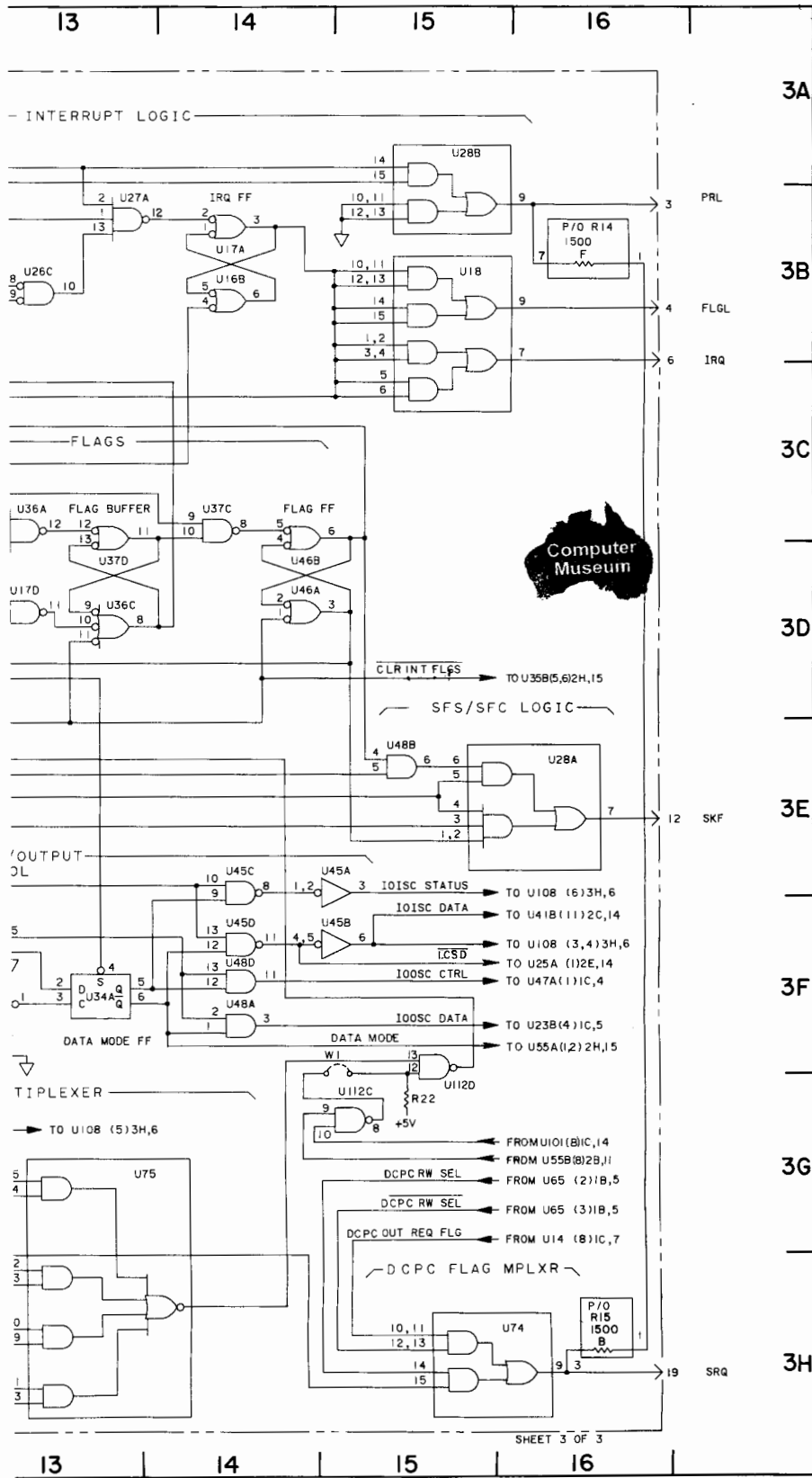
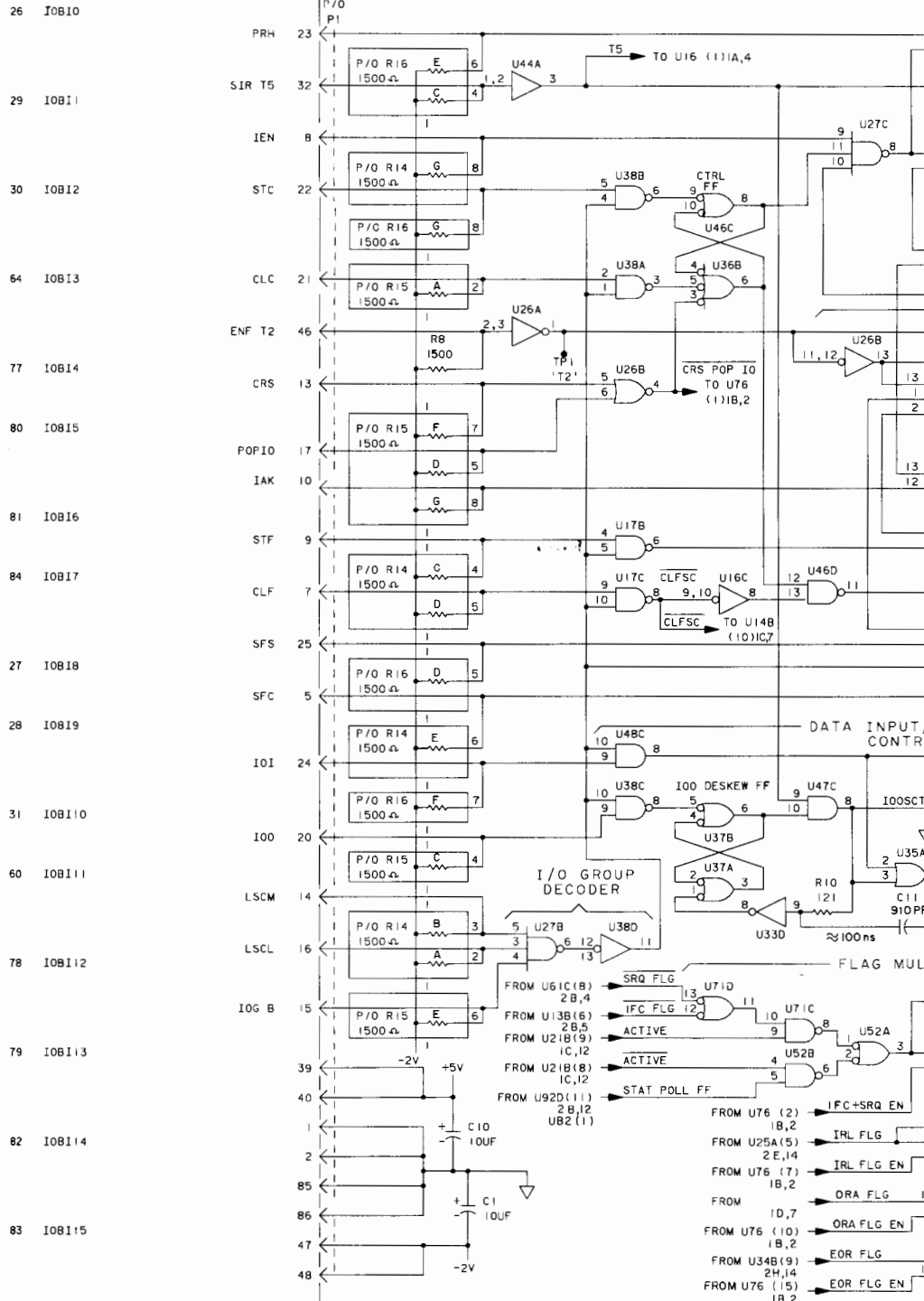
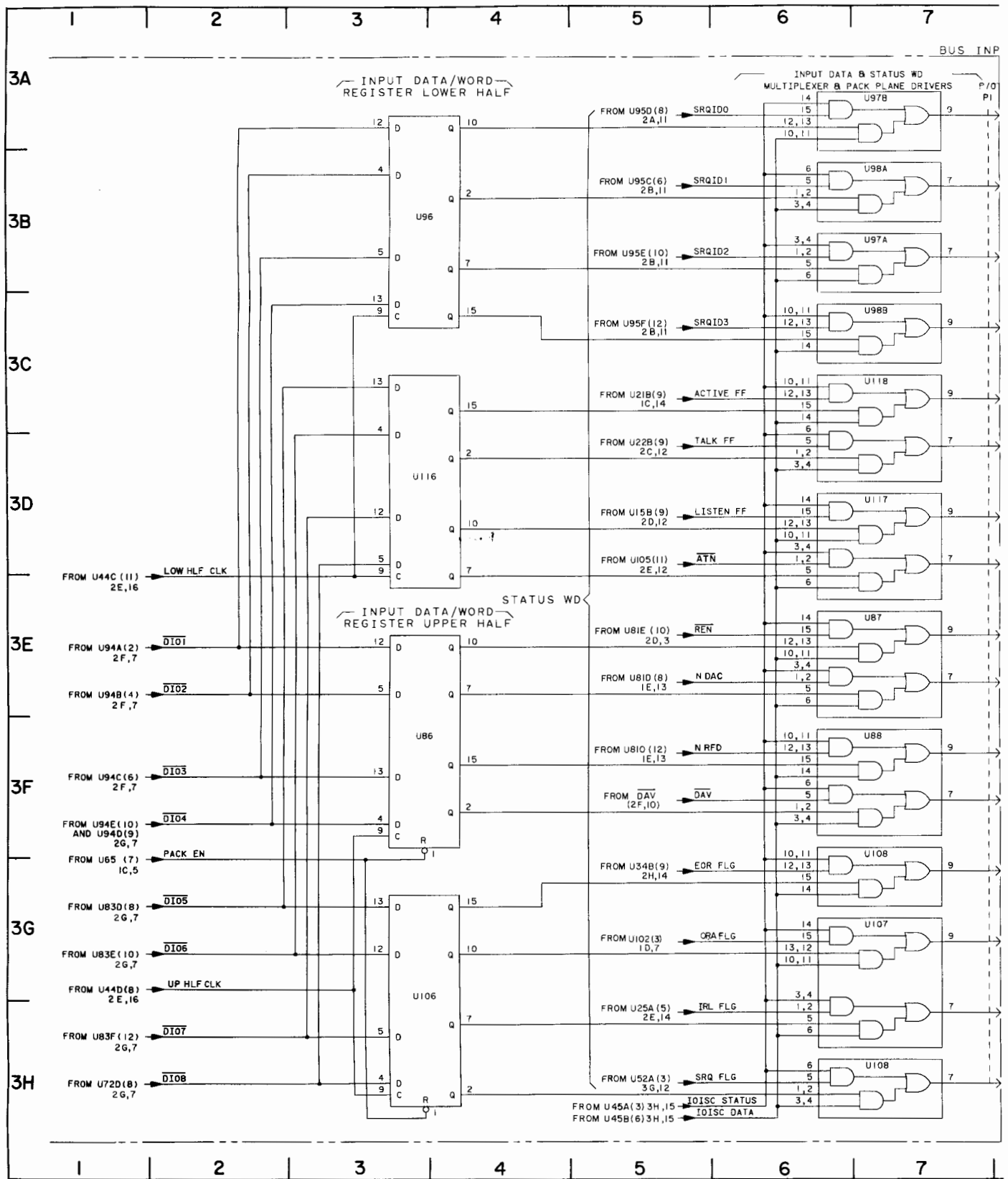


Figure 7-5. 59310B Schematic Diagram  
(Sheet 3 of 3)

UT/OUTPUT CARD (59310-6010) DATE CODE 1B26

COMPUTER I/O BACKPLANE





MANUAL PART NO. 59310-90068  
Printed in U.S.A. MAR 1979



Sales and service from 172 offices in 65 countries.  
11000 Wolfe Road, Cupertino, California 95014