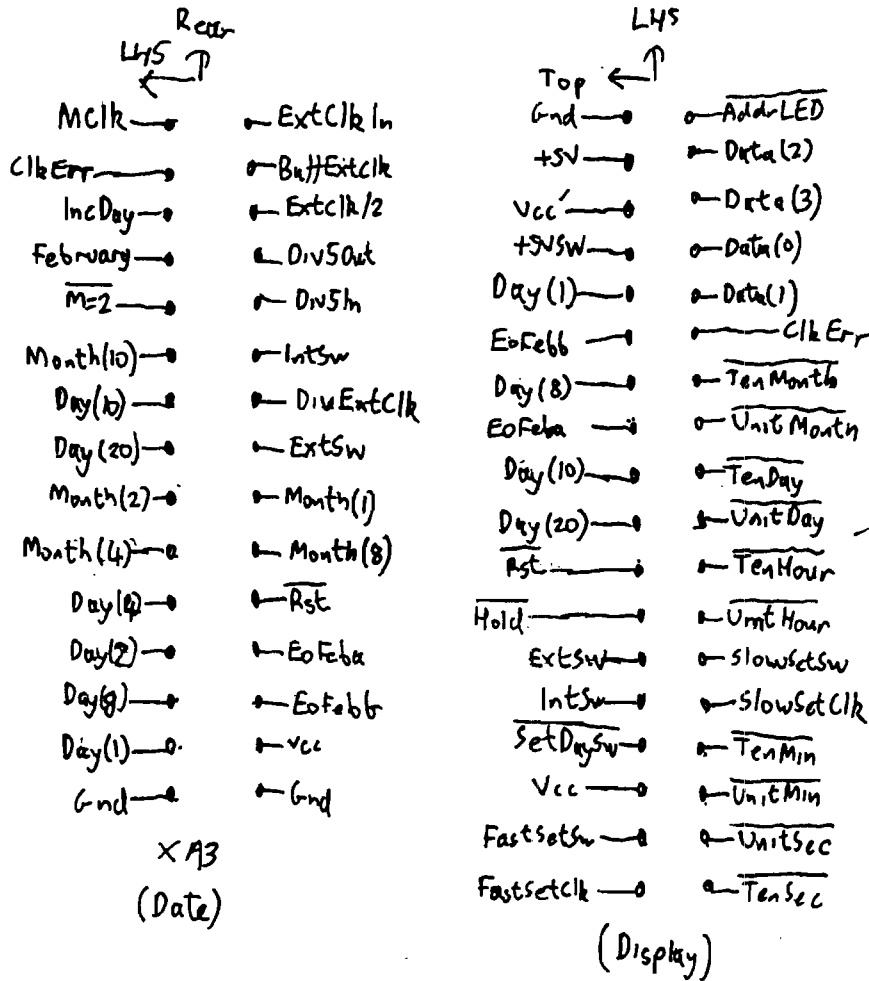


HP59309 clock



Test points

Date PCB

- TP1: End of Month
- TP2: Inc Day
- TP3: Set ClkErr
- TP4: MClk

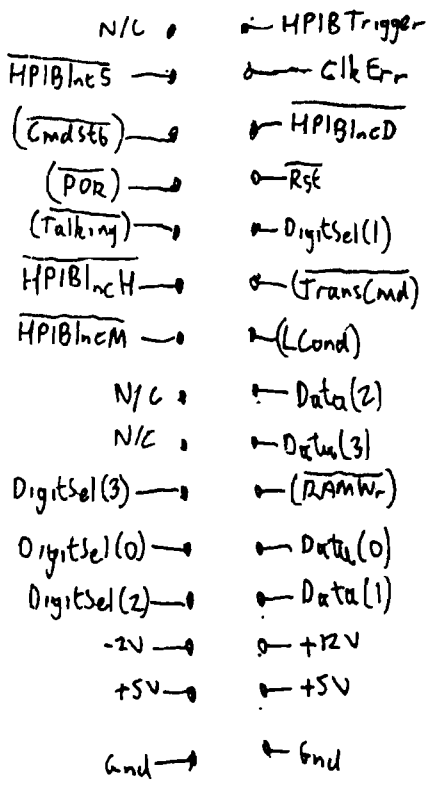
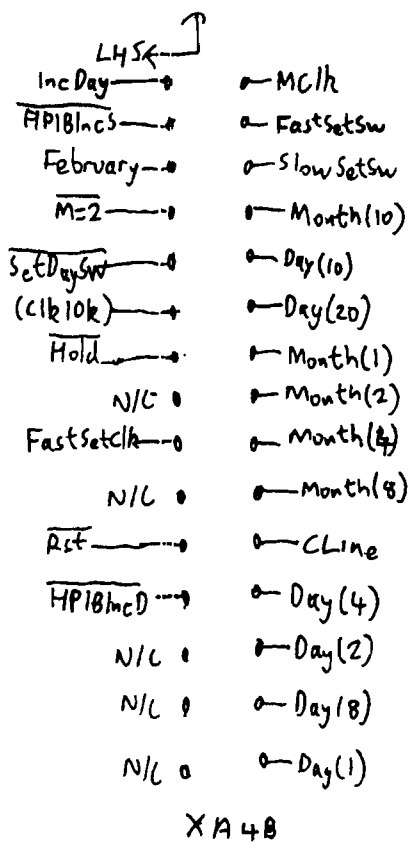
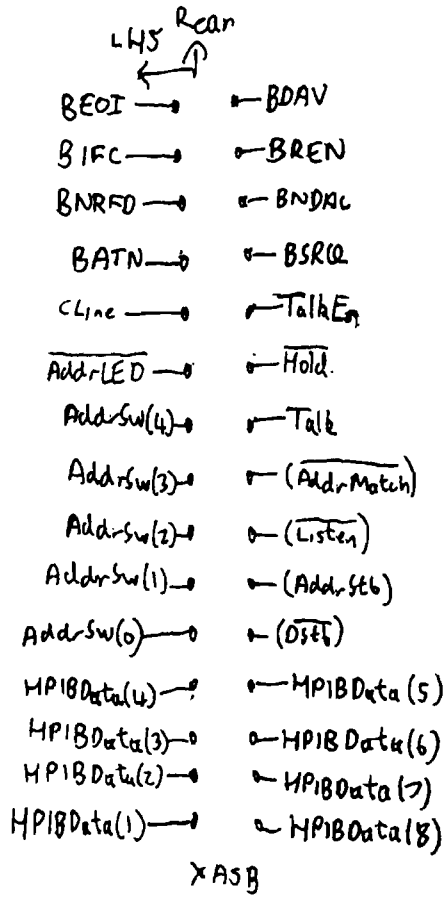
HP1B Interface PCB

- TP1: AddrSel
- TP2: ClkIn
- TP3: DS66
- TP4: Addr Match

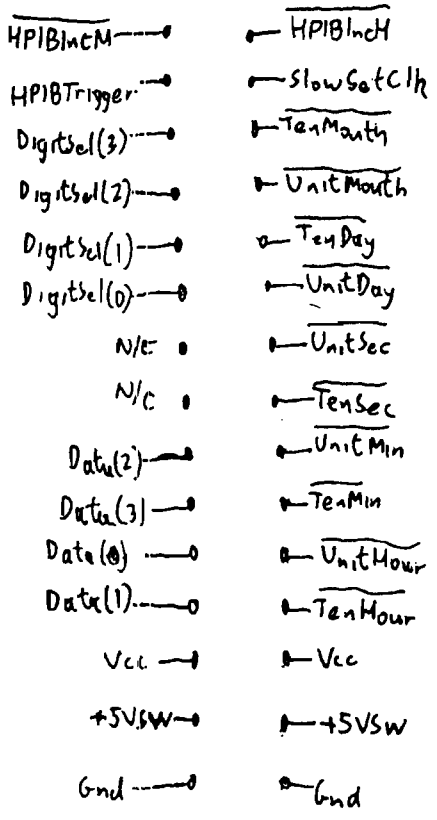
Time PCB

- TP1: hcs
- TP2: End of Day
- TP3: Rst
- TP4: Rst

HP59304 Clock Rear

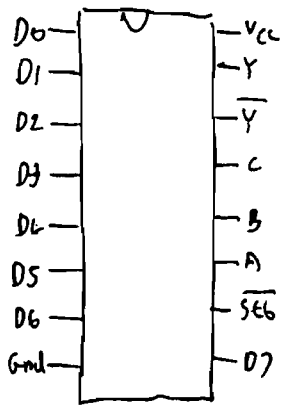


XASA
(HPiB Interface)

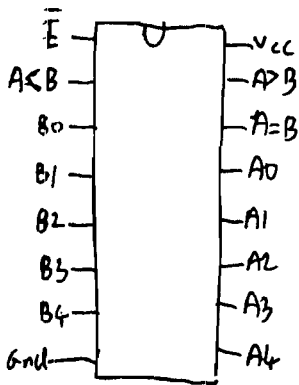


XA4A
(Time)

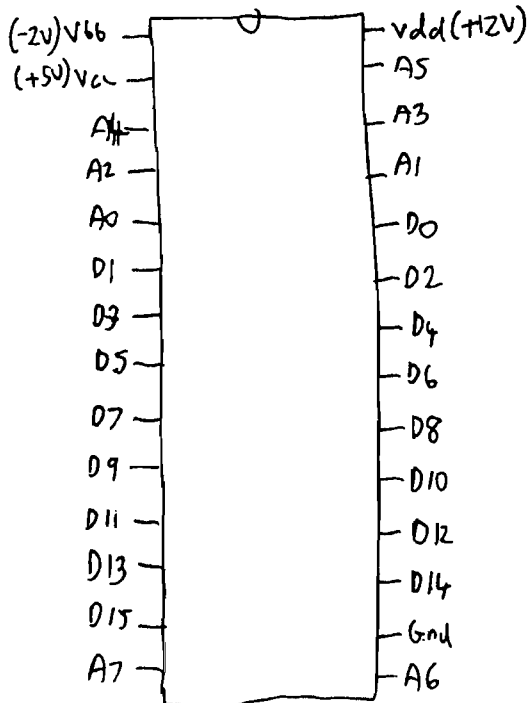
HP59309 clock



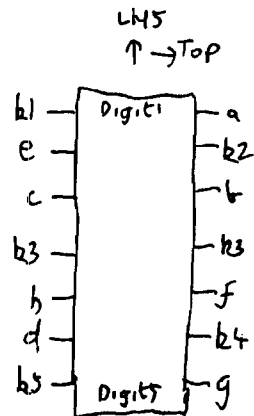
9312
8-Input
Mux



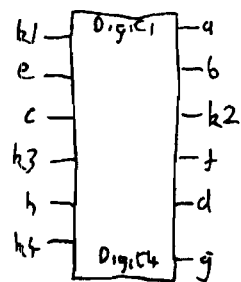
9324
5 bit Comparator



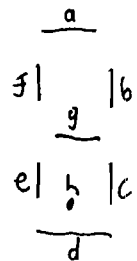
256x16
ROM
1818-2193

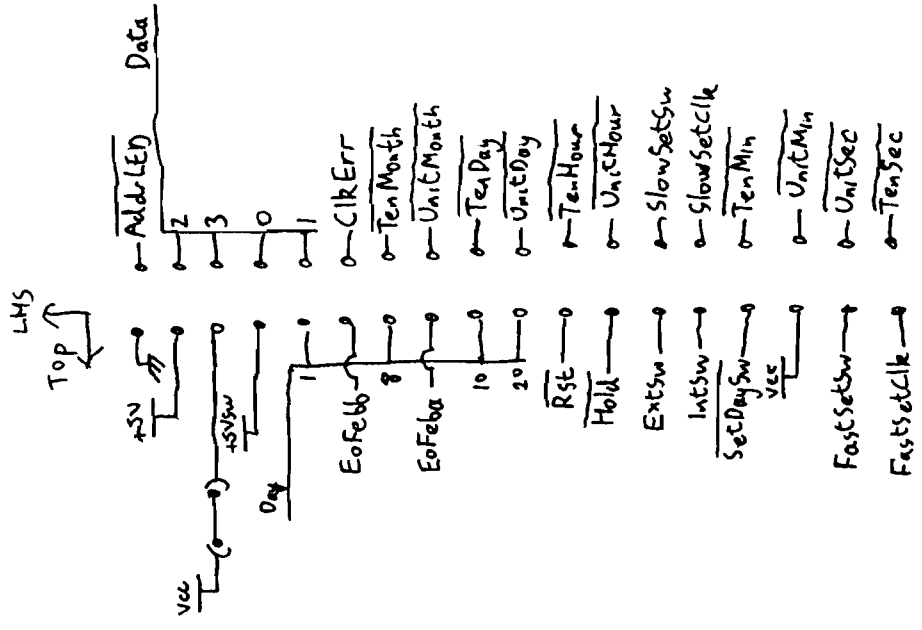


5 digit
Display

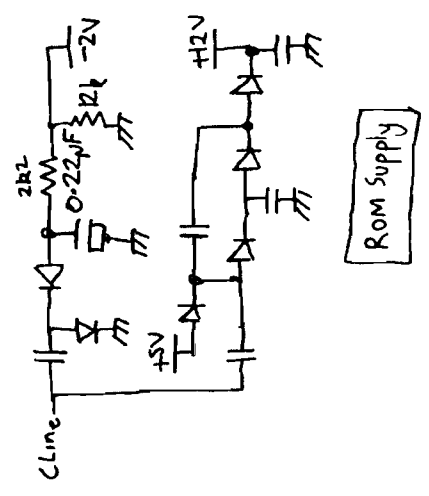
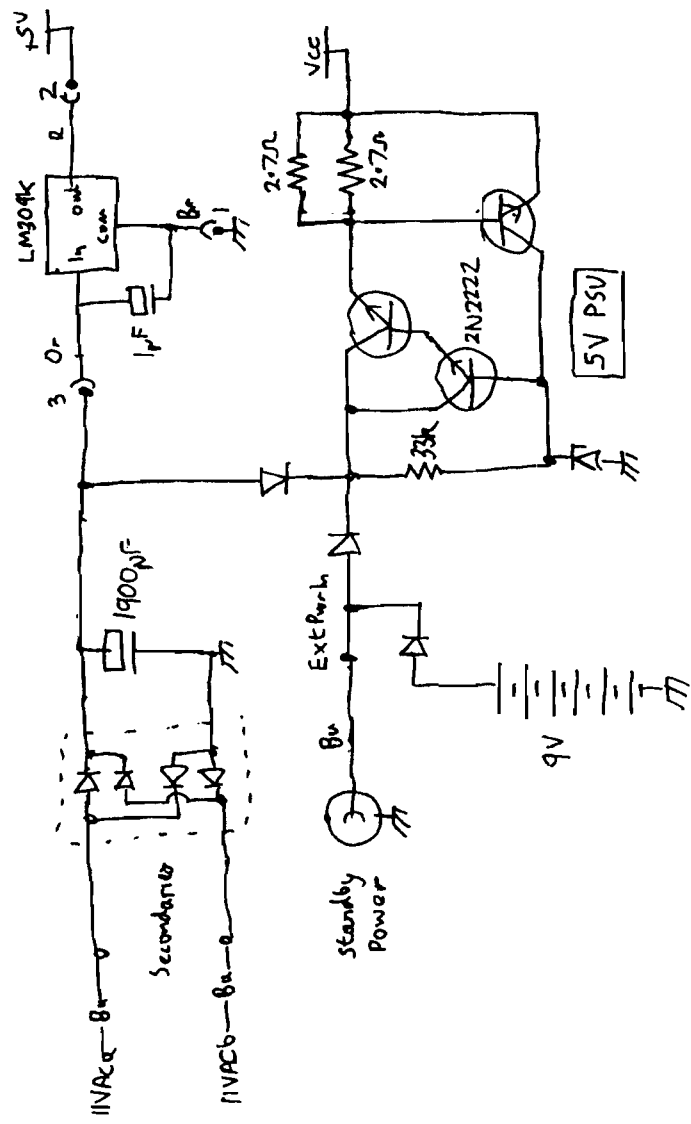


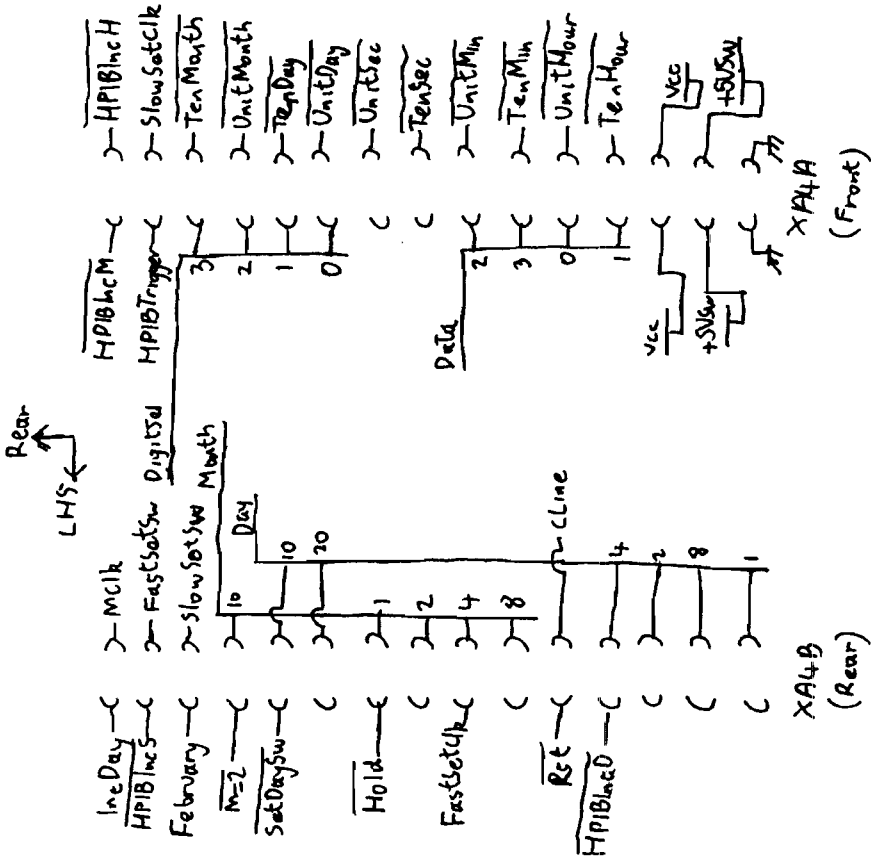
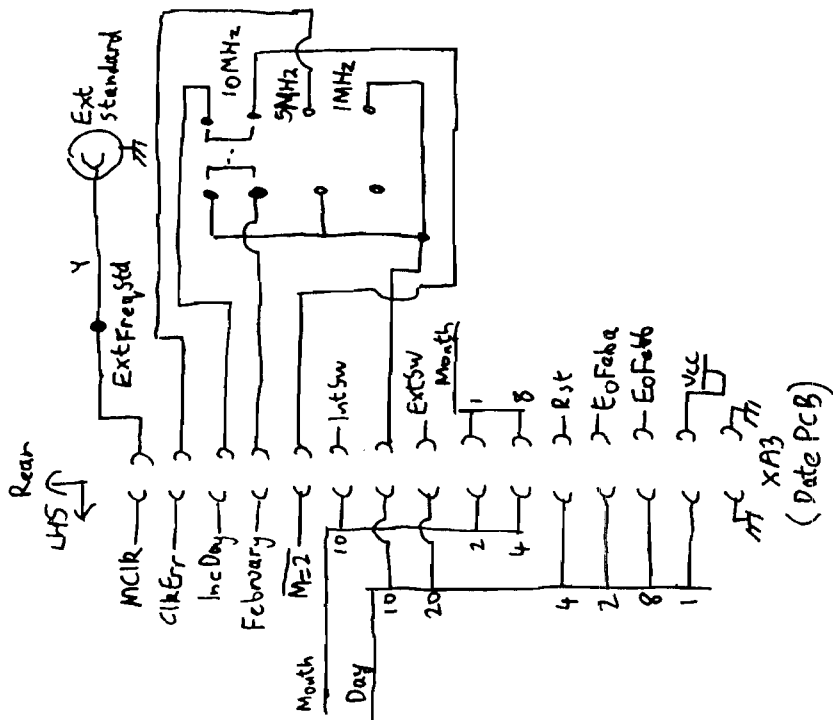
4 digit
Display





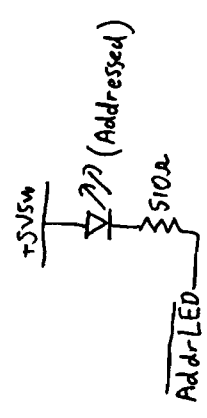
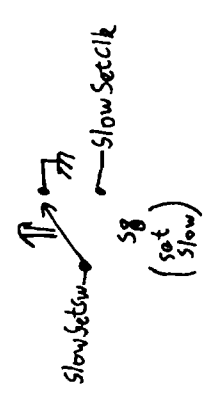
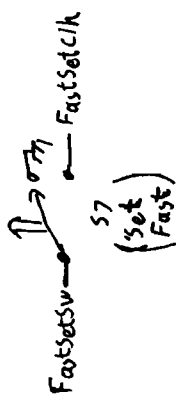
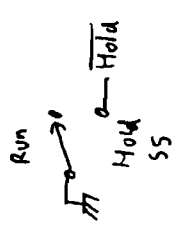
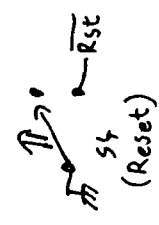
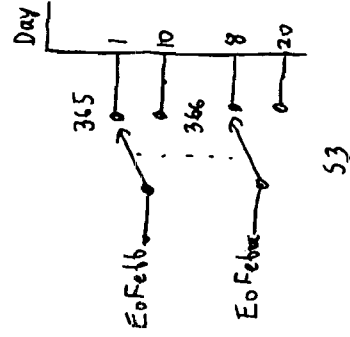
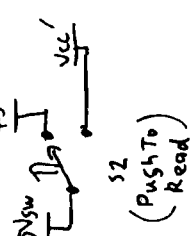
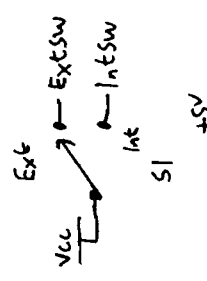
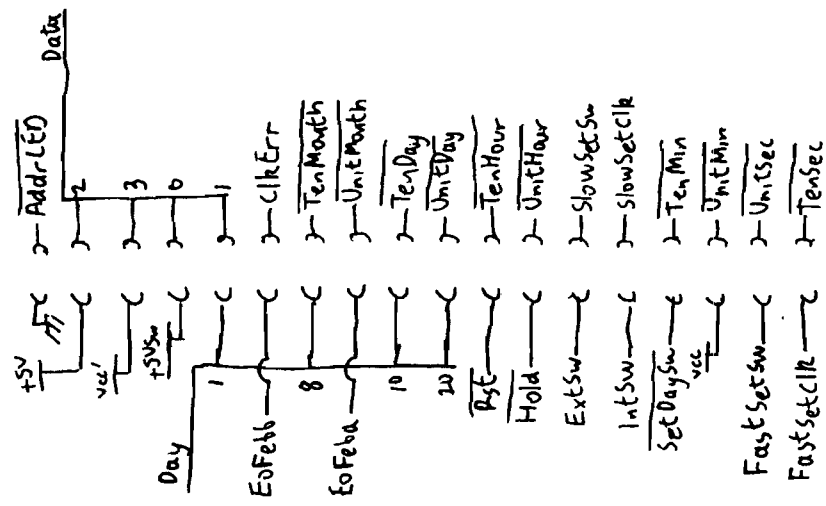
(Display PCB)



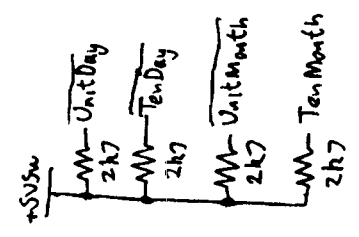
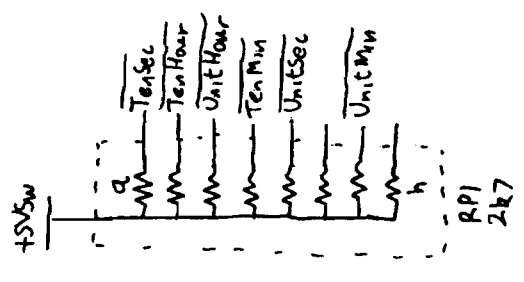


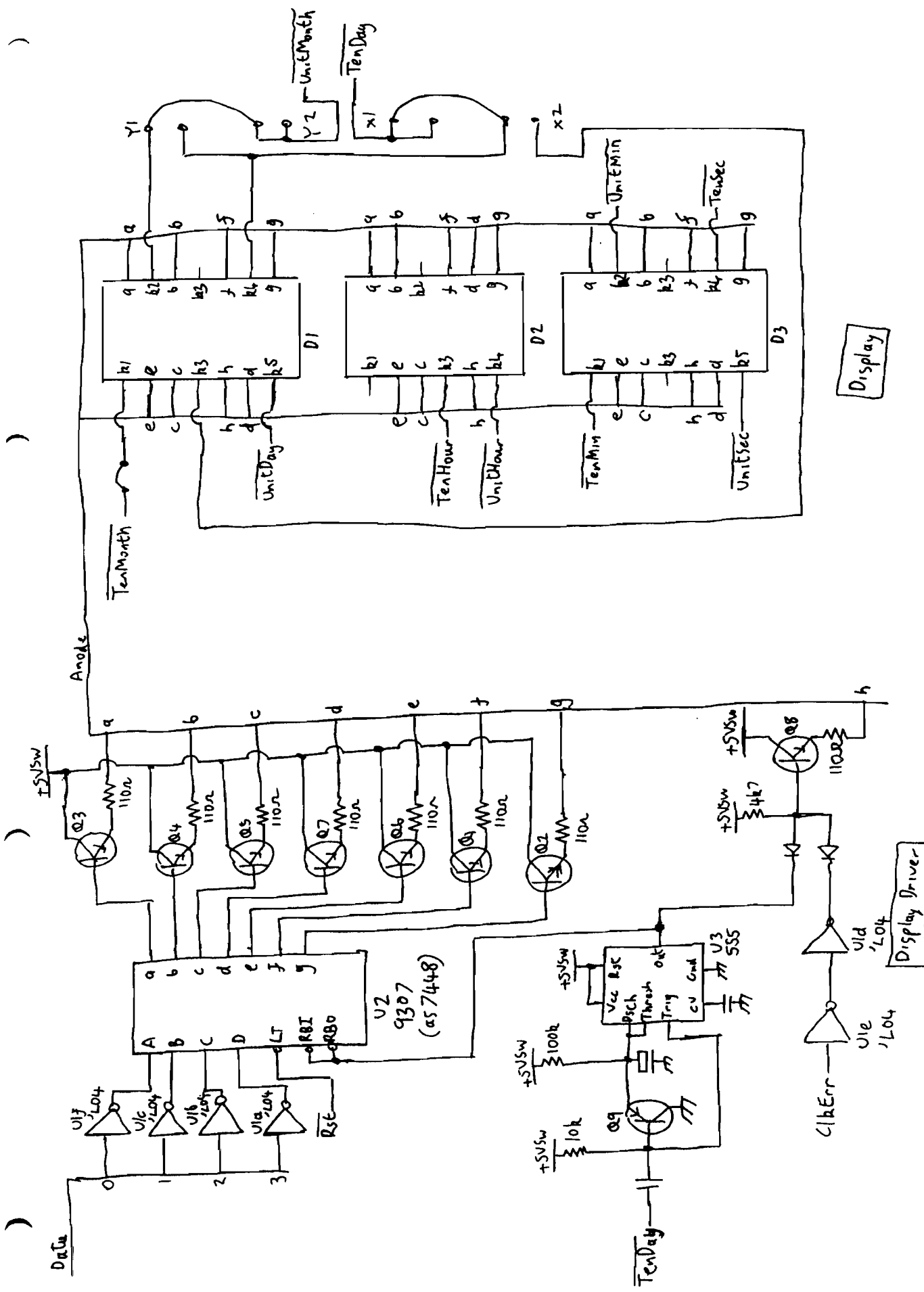
(Time PCB)

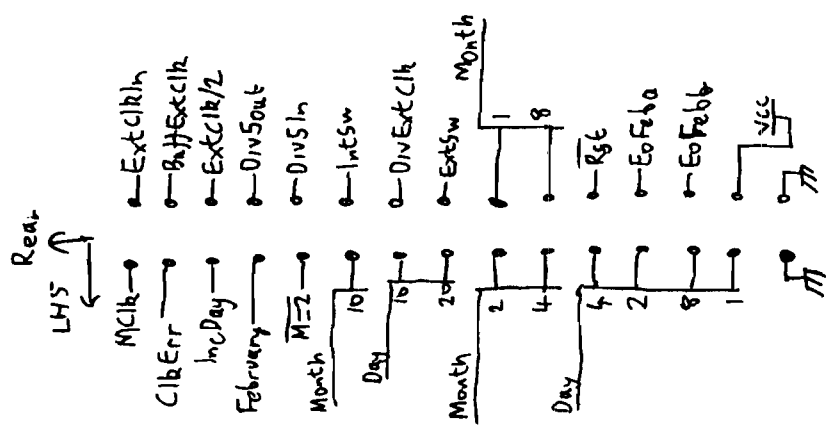
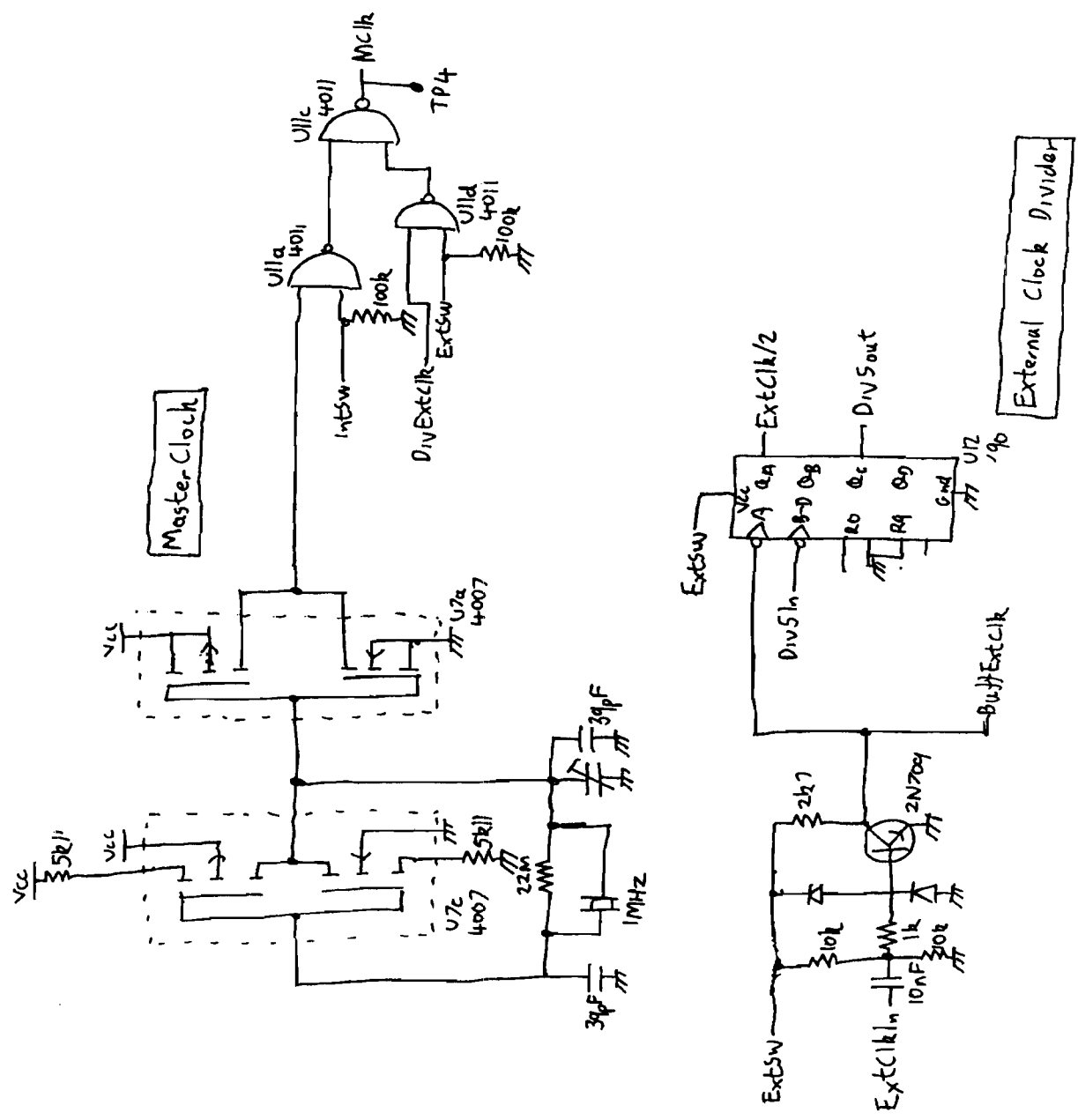
LHS
Top



Control Switches





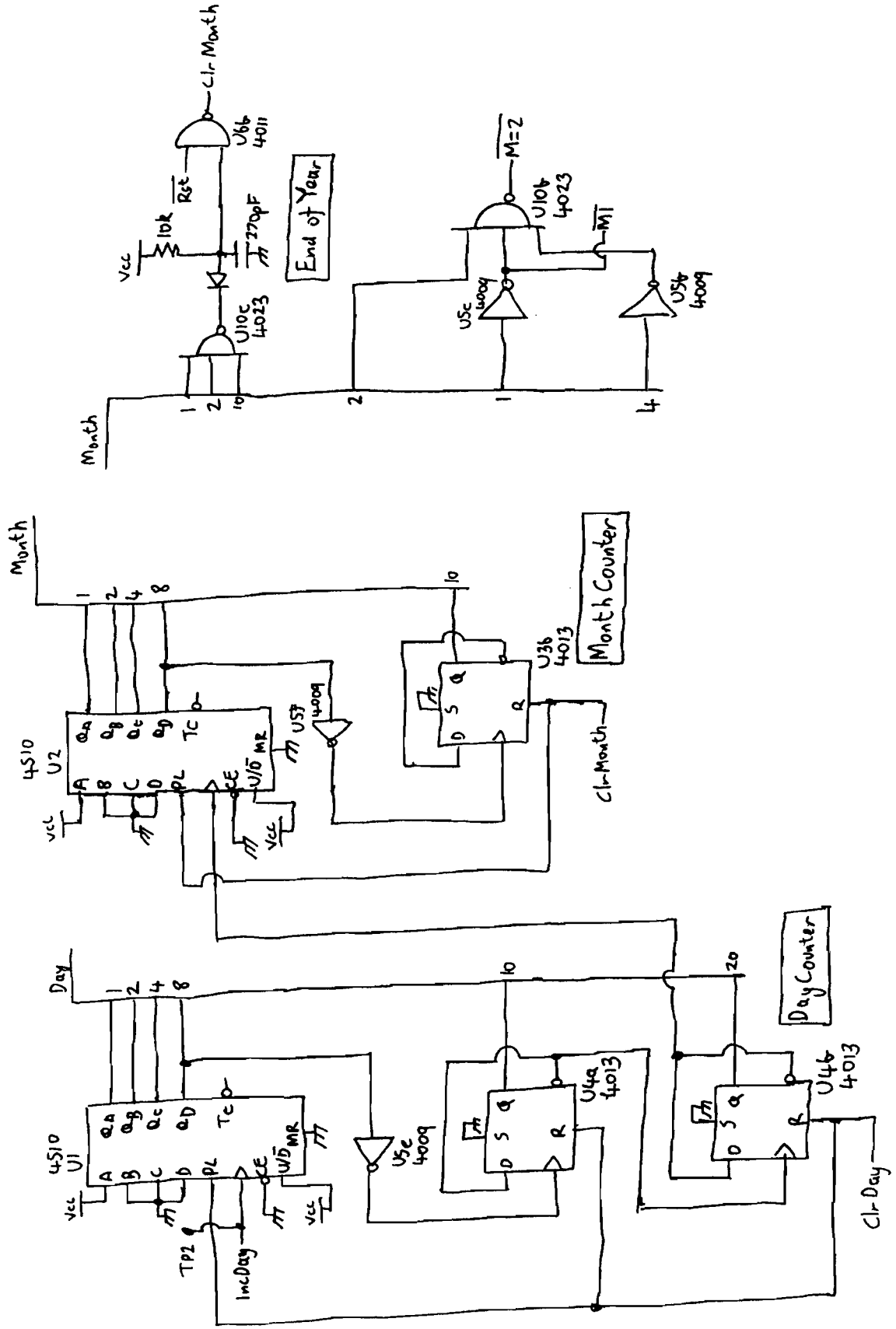


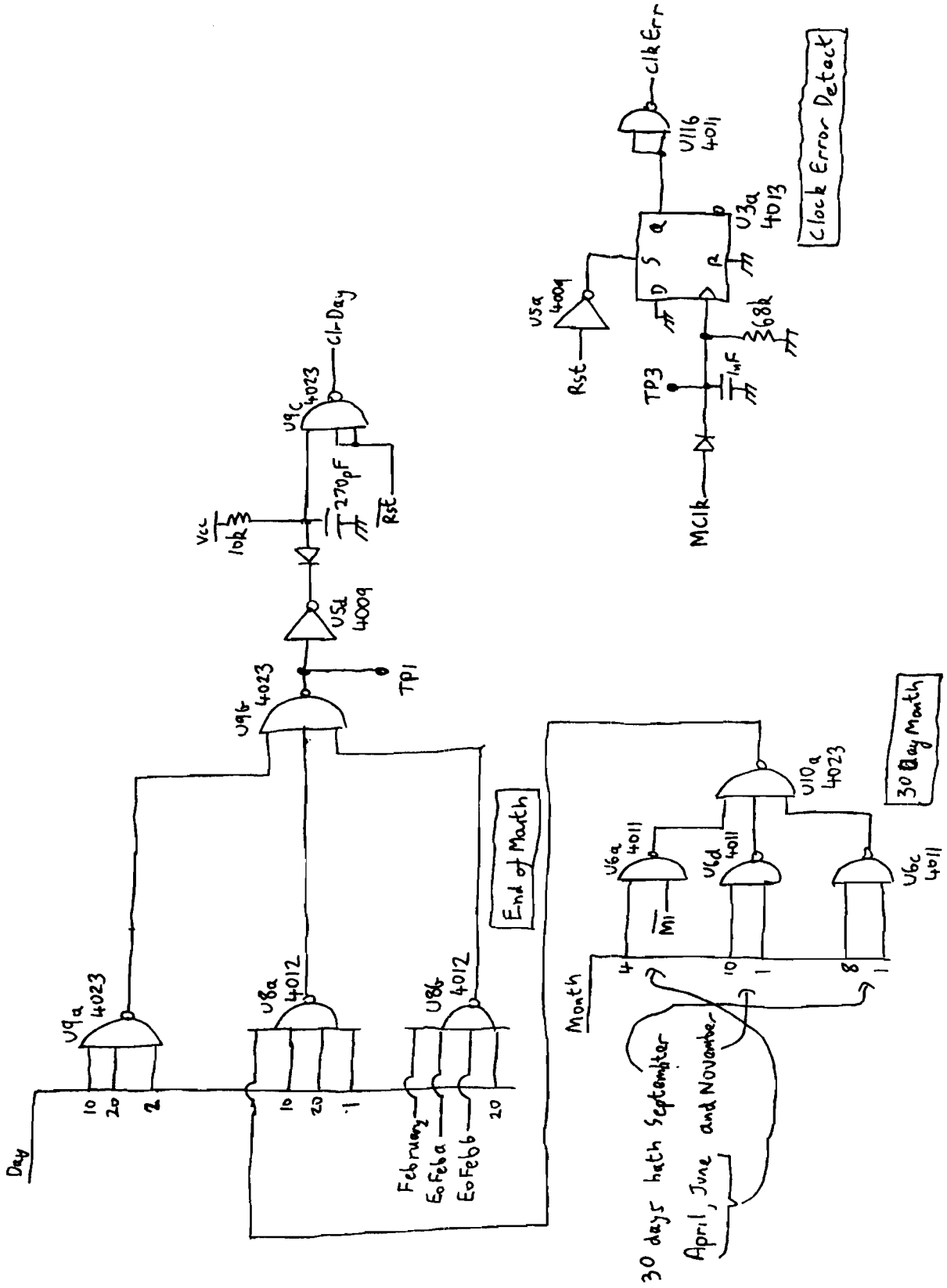
)

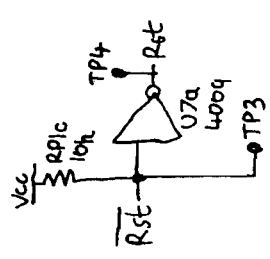
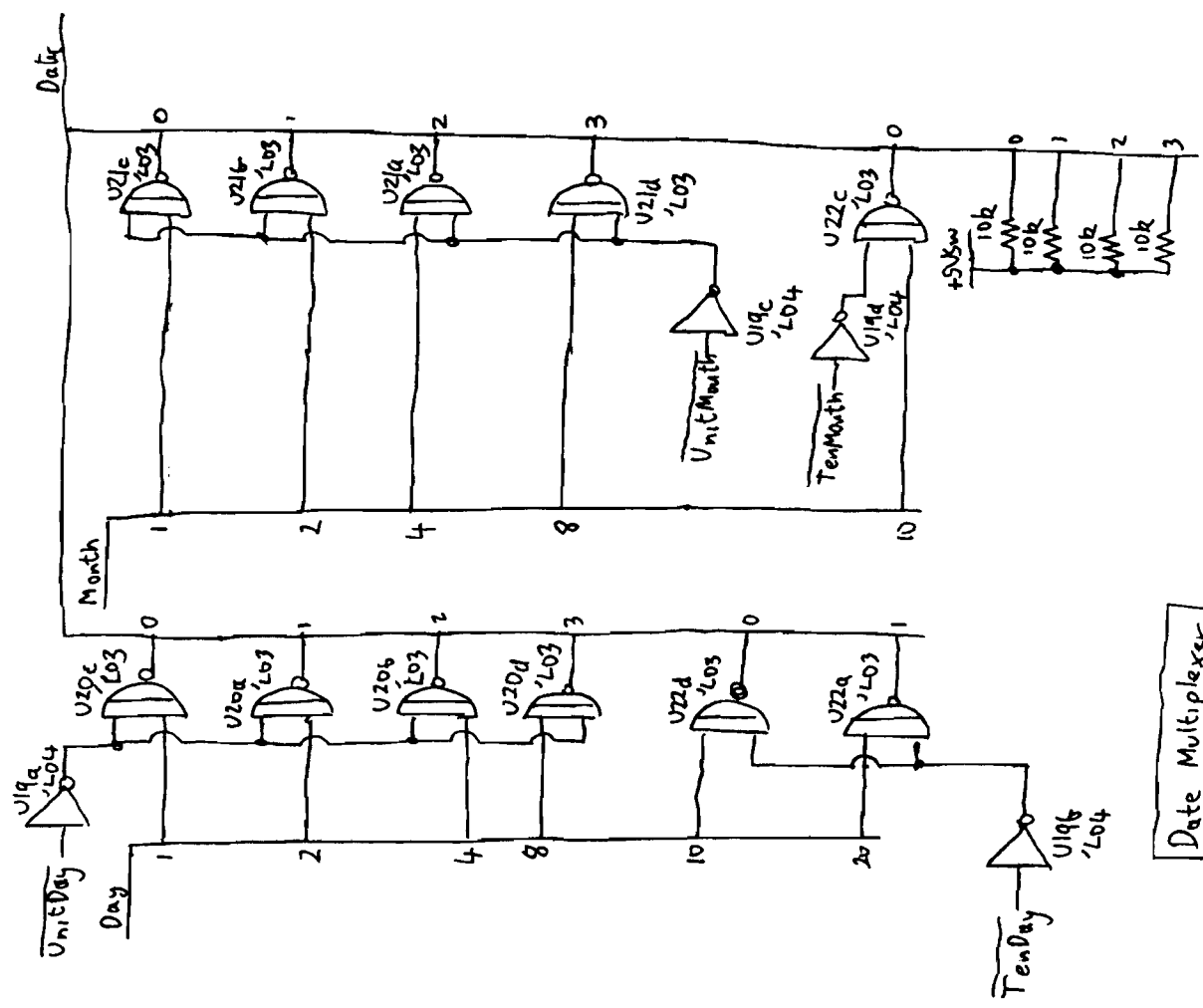
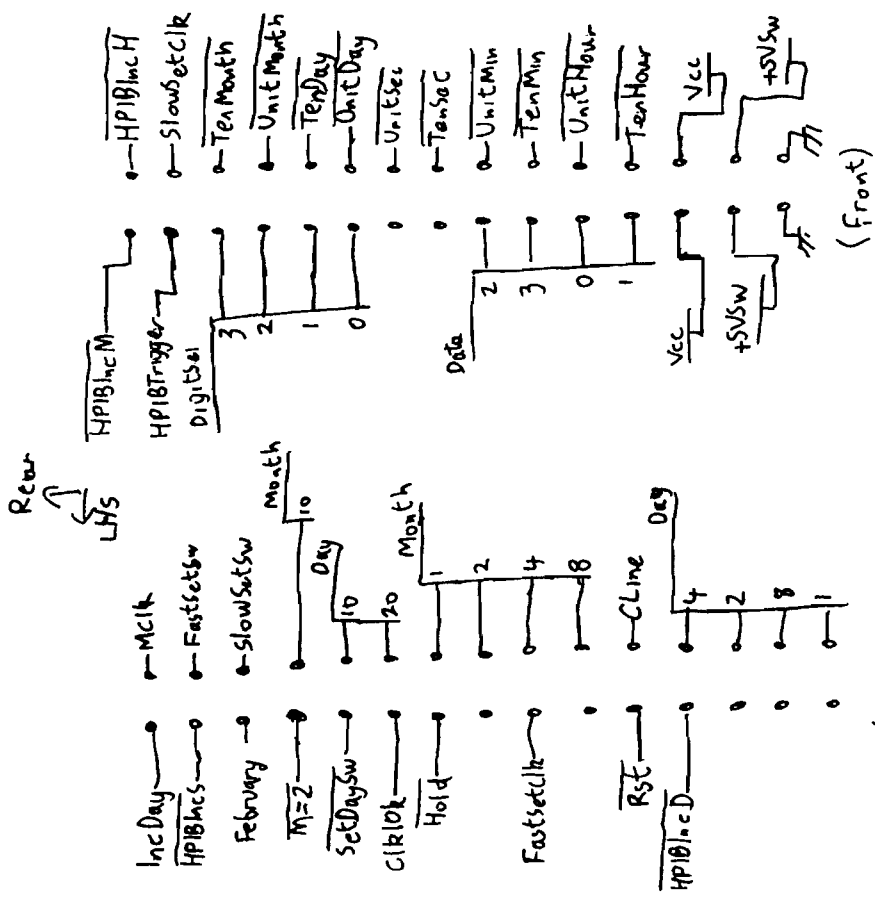
)

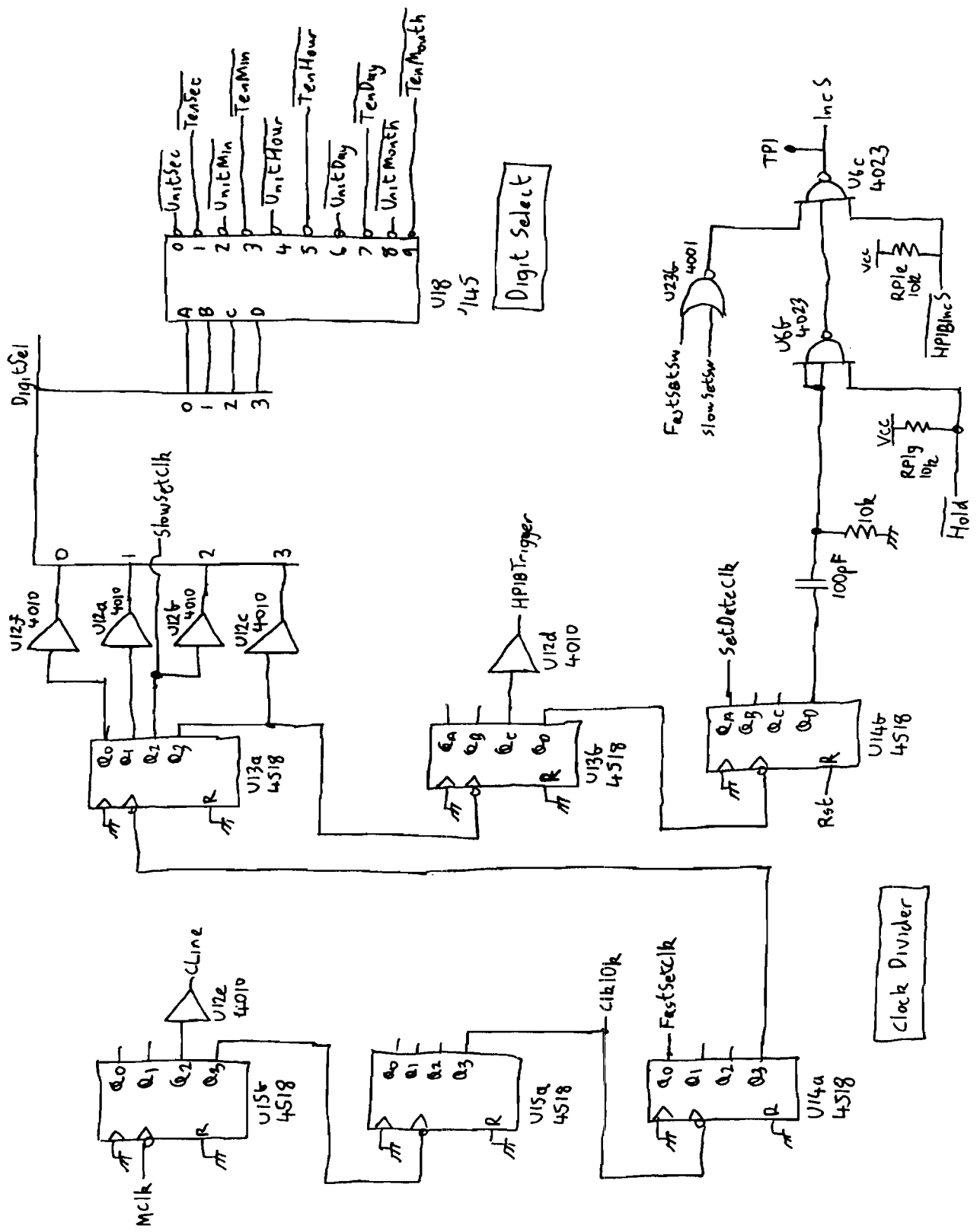
)

)



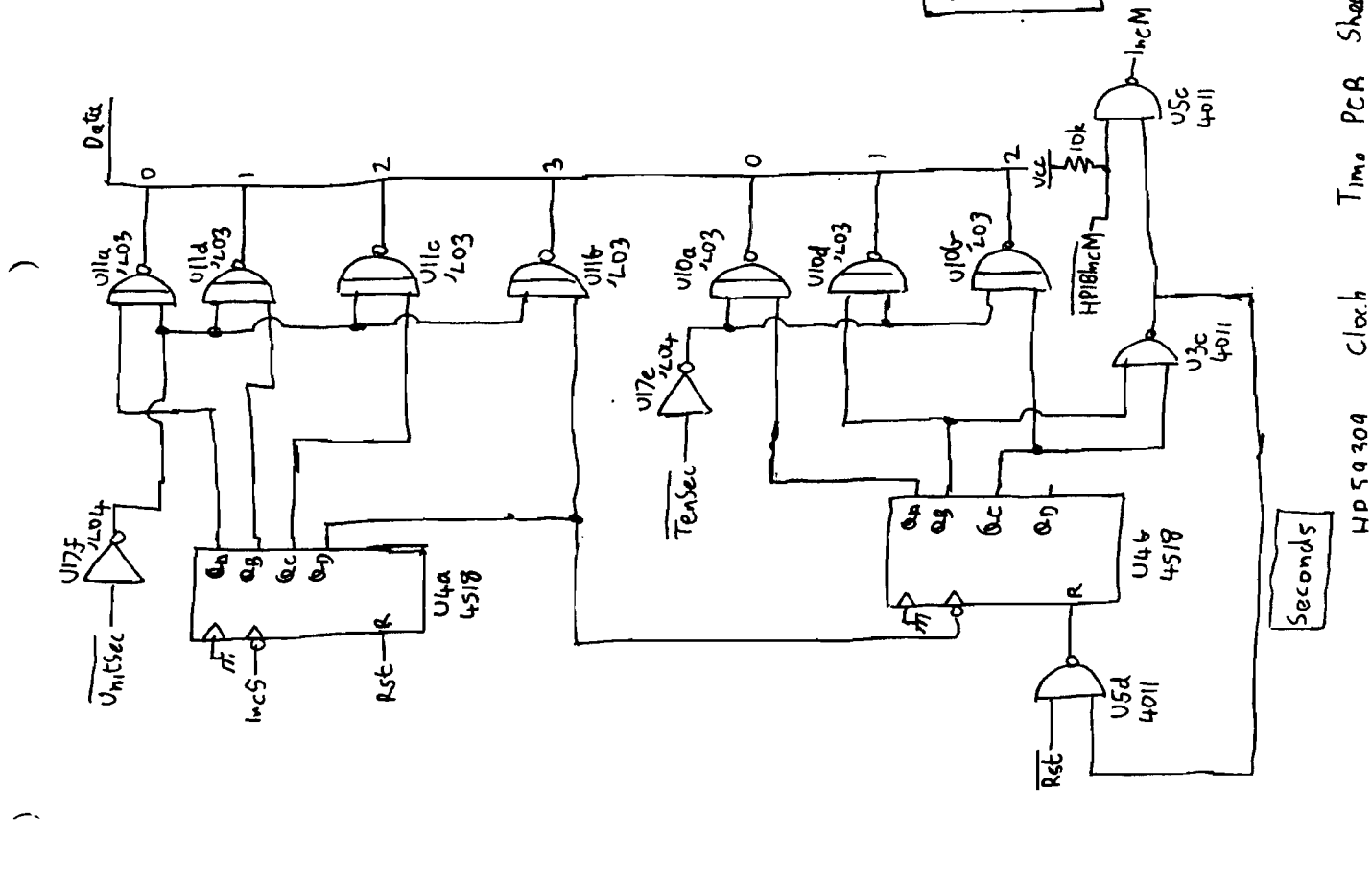
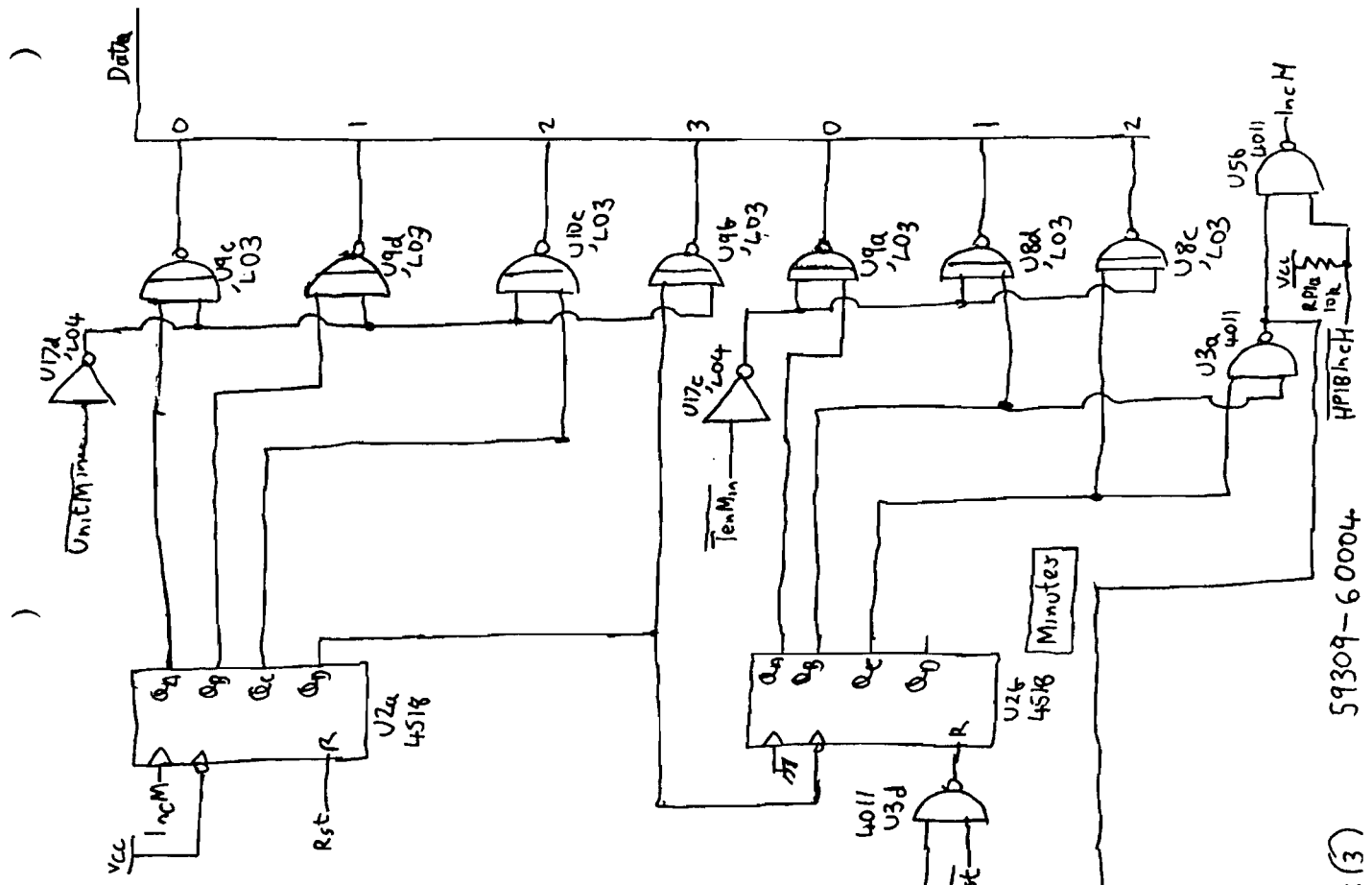


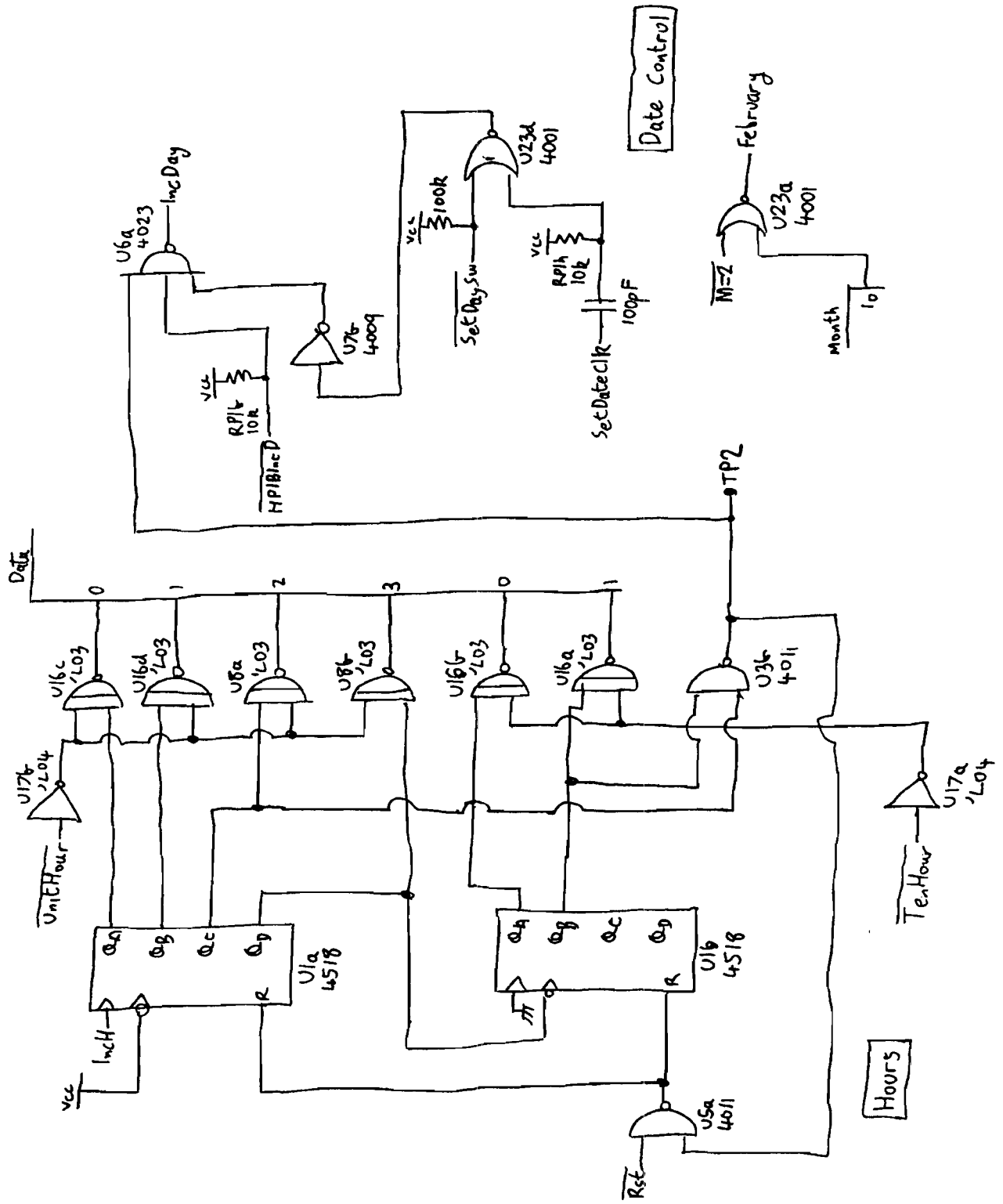




... .. I I T n n c i L C

... ..





59309 - 6mm

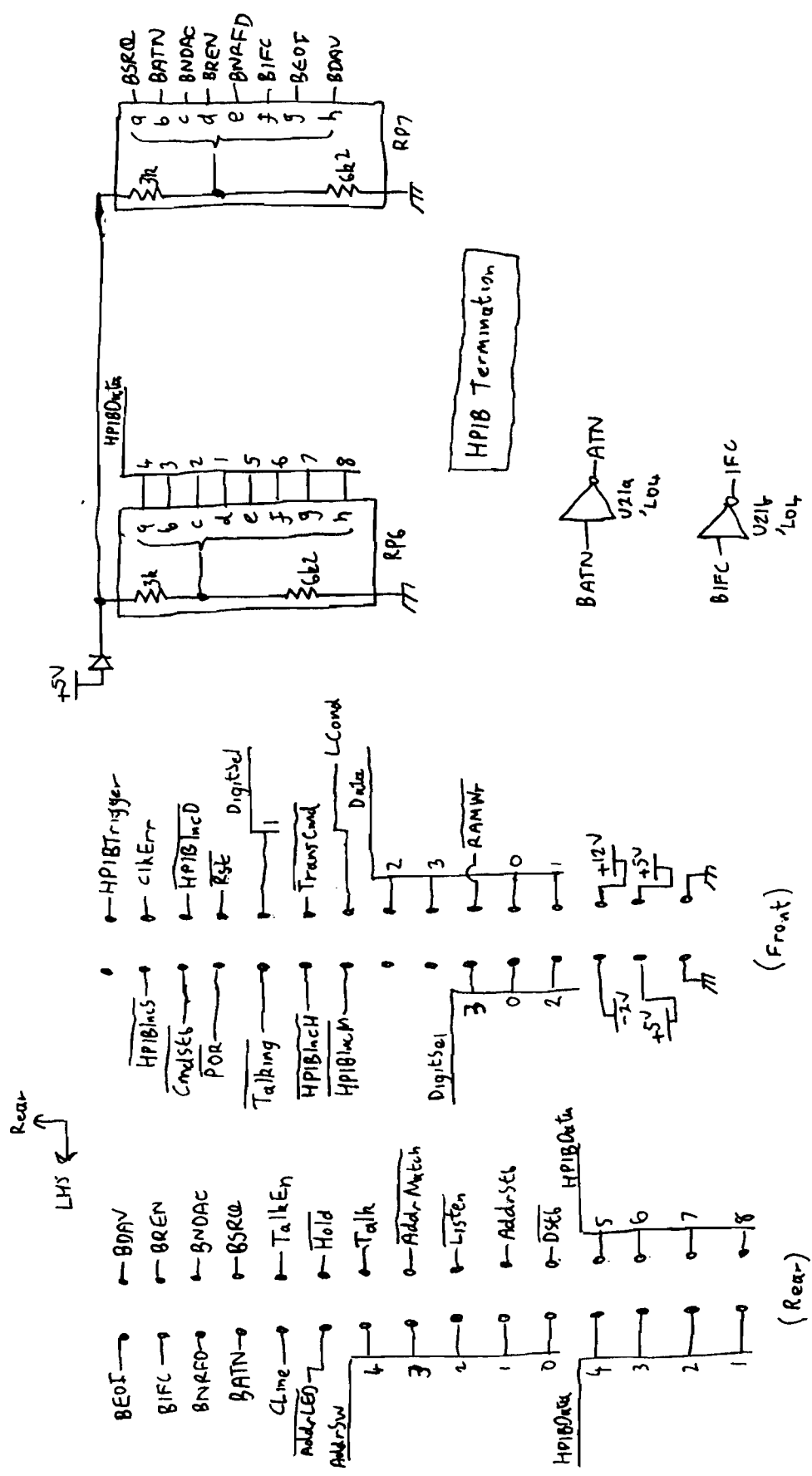
HP 59309 Clock Time PCB (L.T. 11)

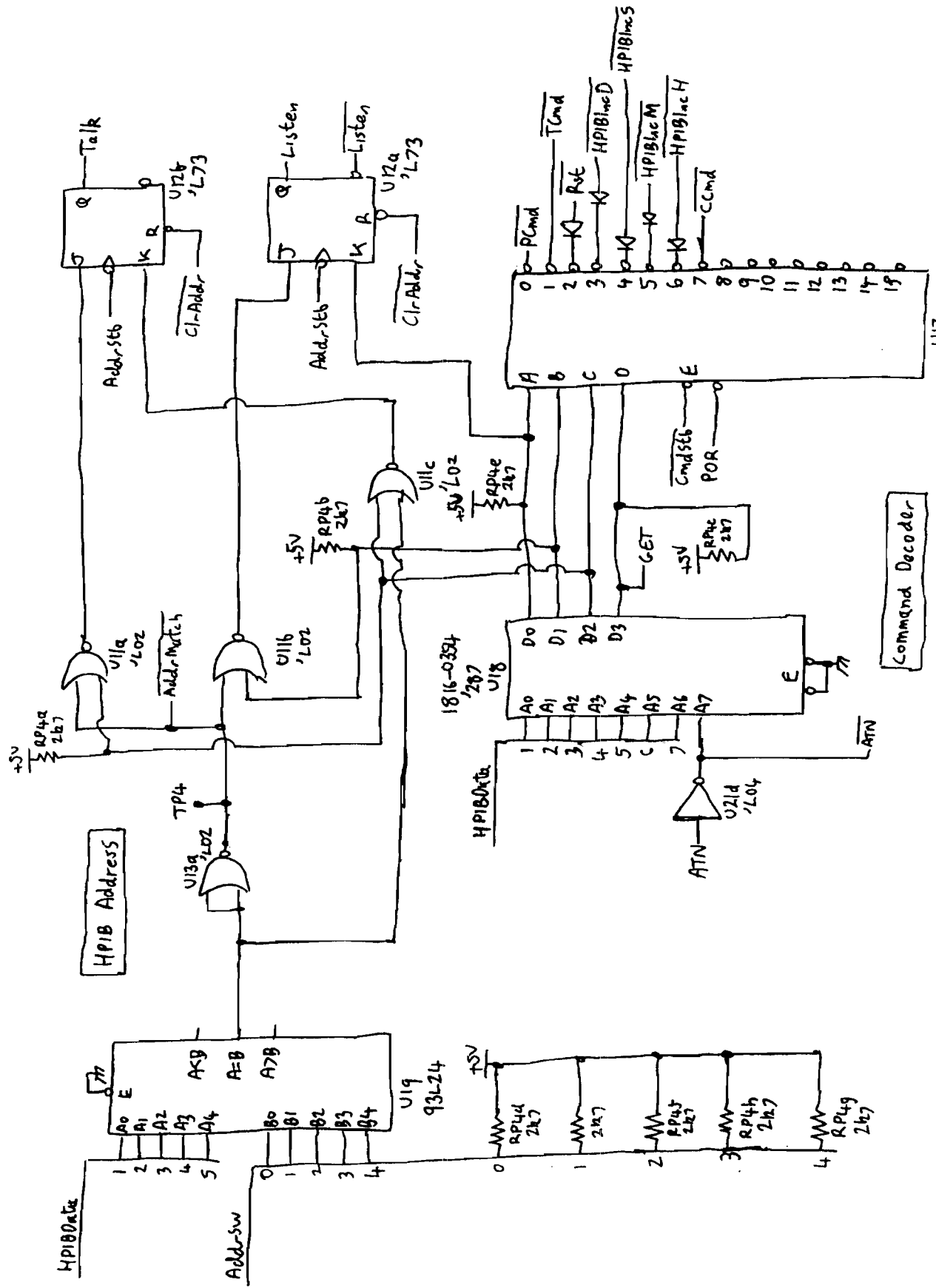
)

)

)

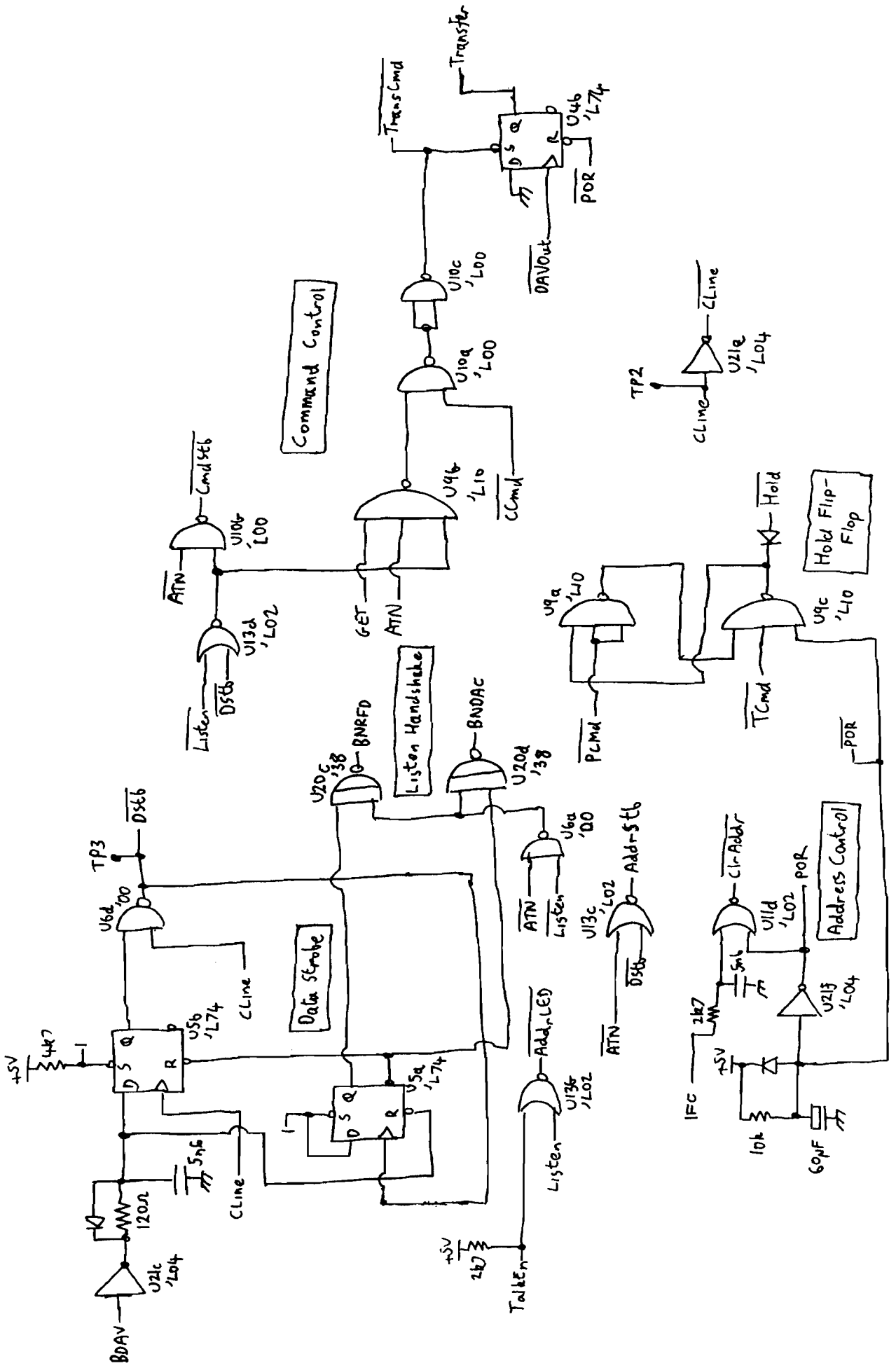
)

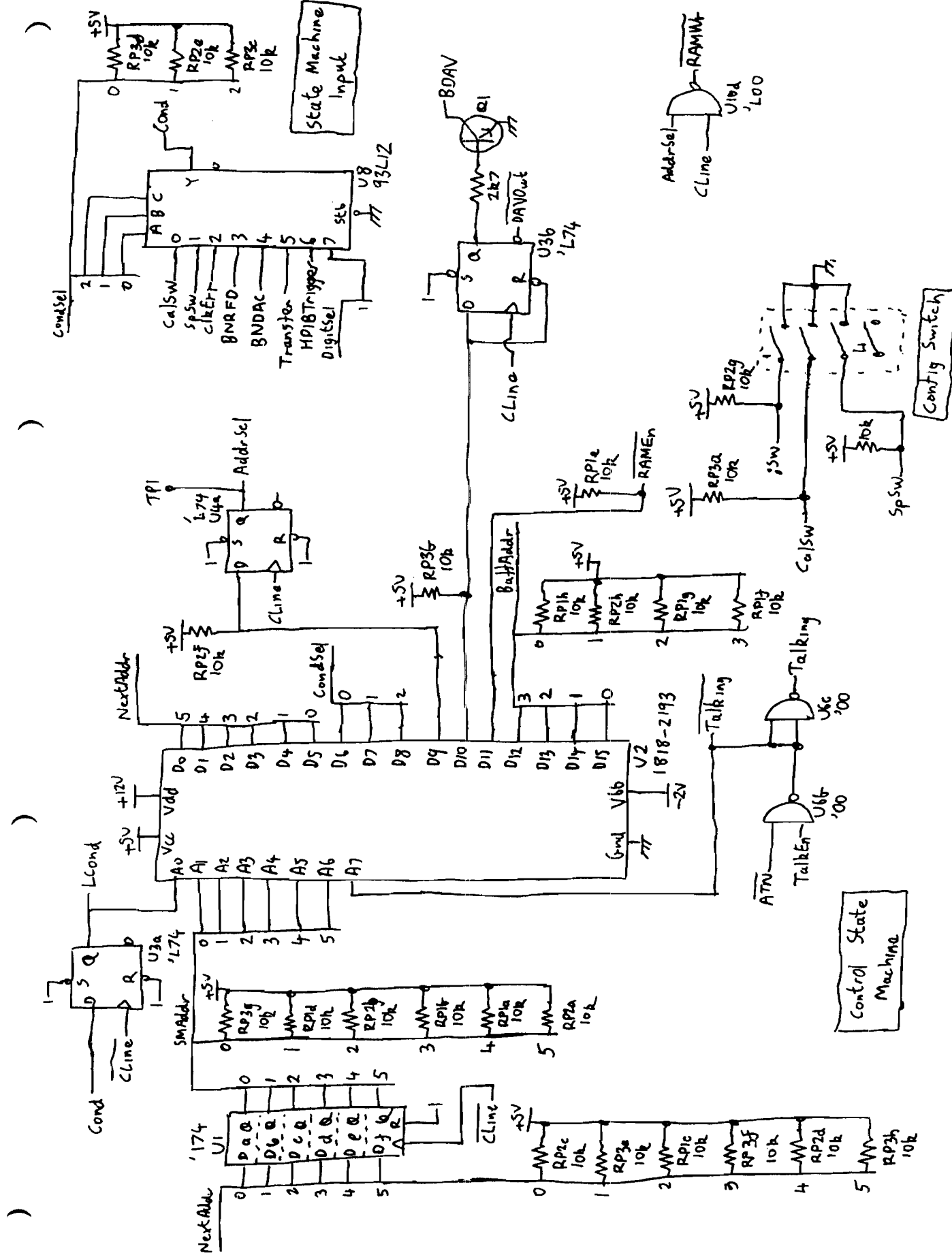




HPiB 1 to 4 HPiB 1 to 4 HPiB 1 to 4

U17
93L11
(AS'154)
59309-20000





HP50700 cl. 1 HP18 Interface. ora cl. t.m) 64309-Lanne

