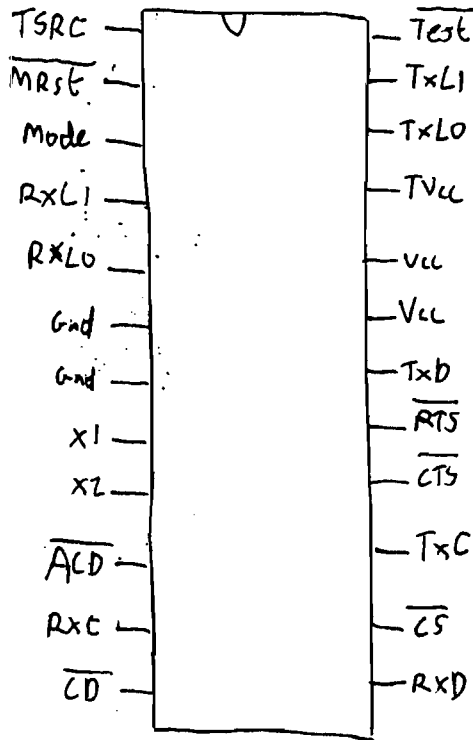
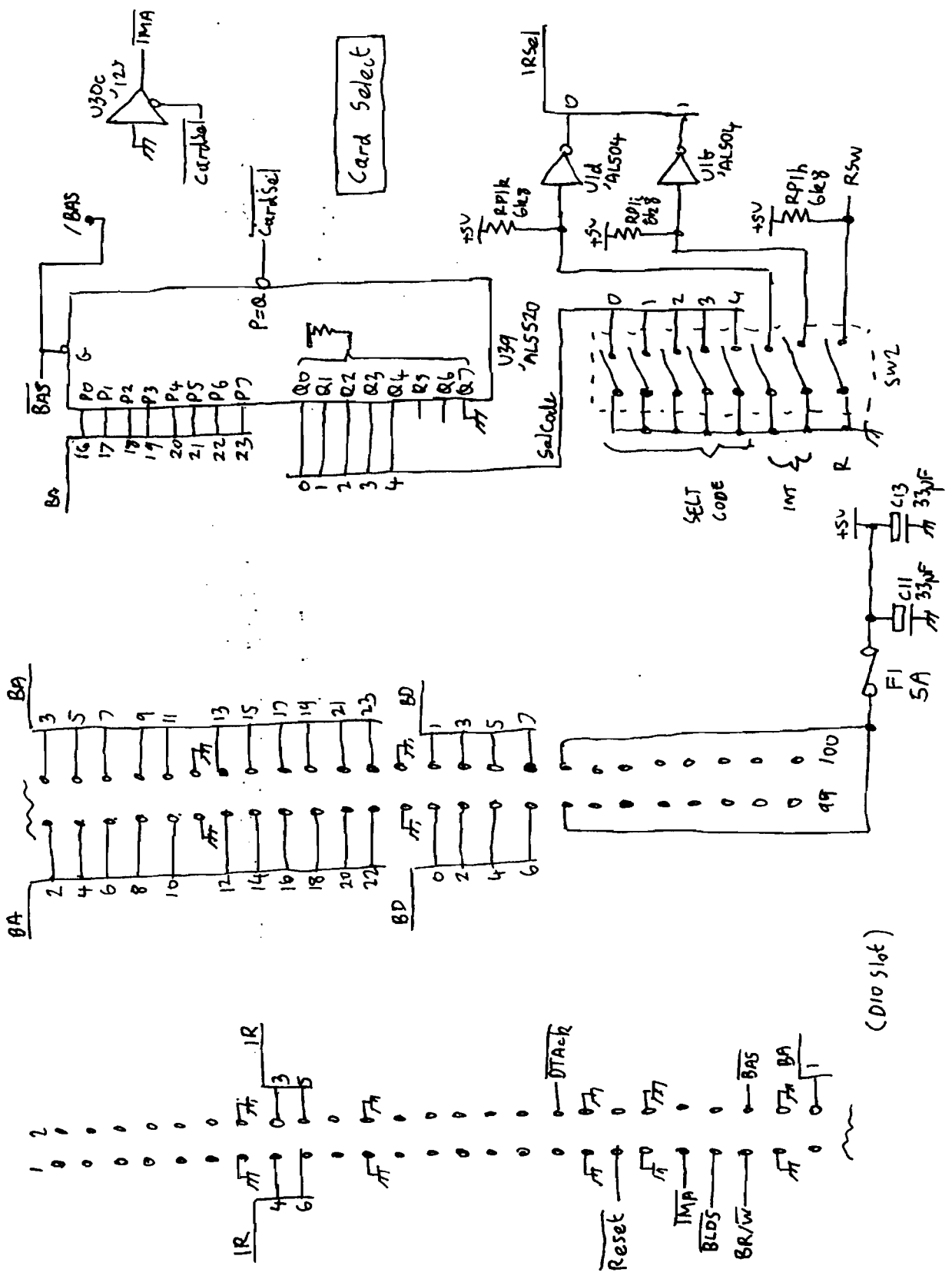


MP50962

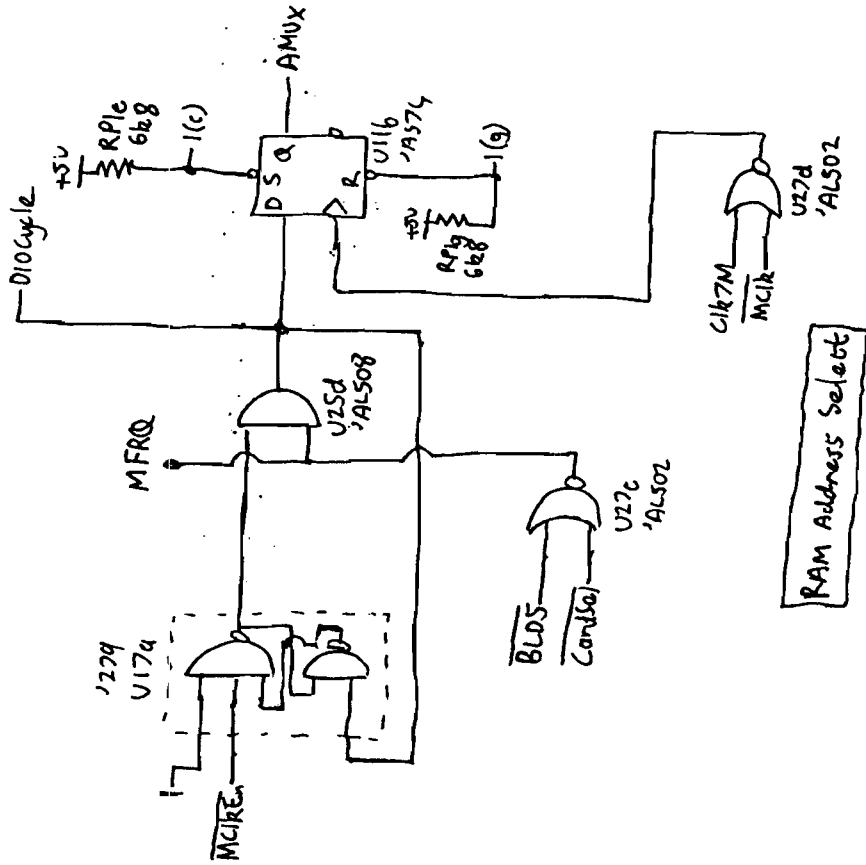
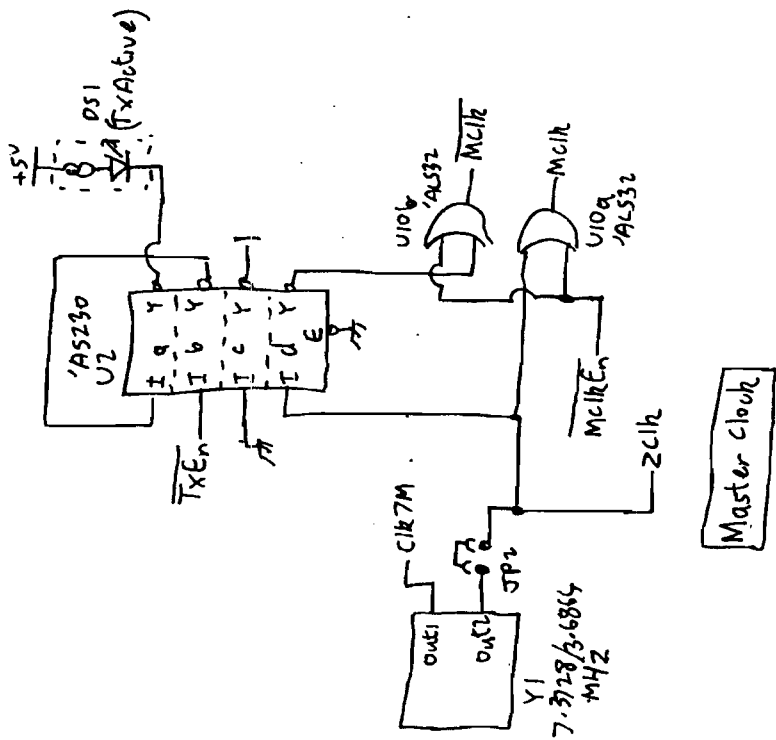
Manchester Coded Data Transceiver
AM7960 (1826-1388)

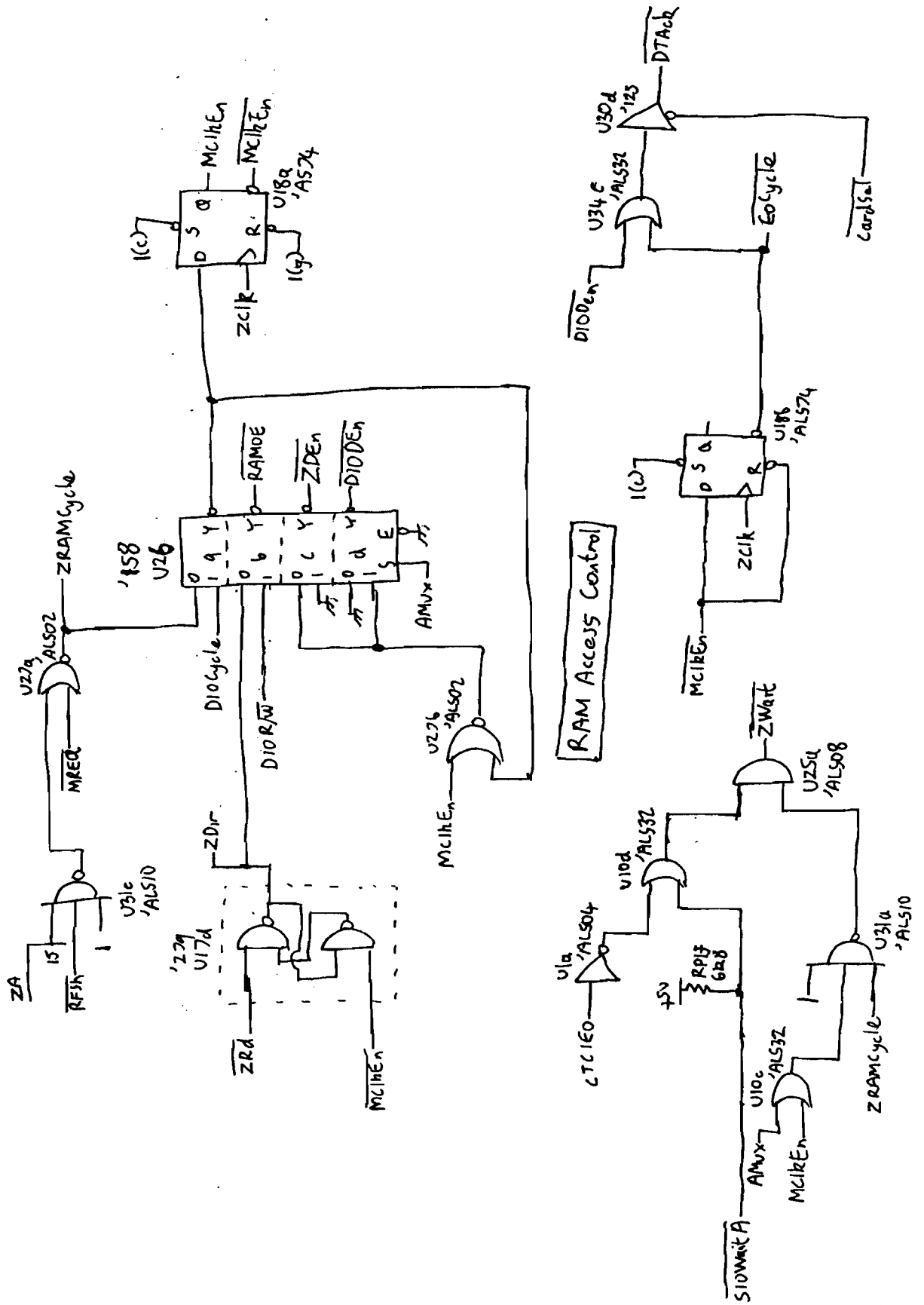


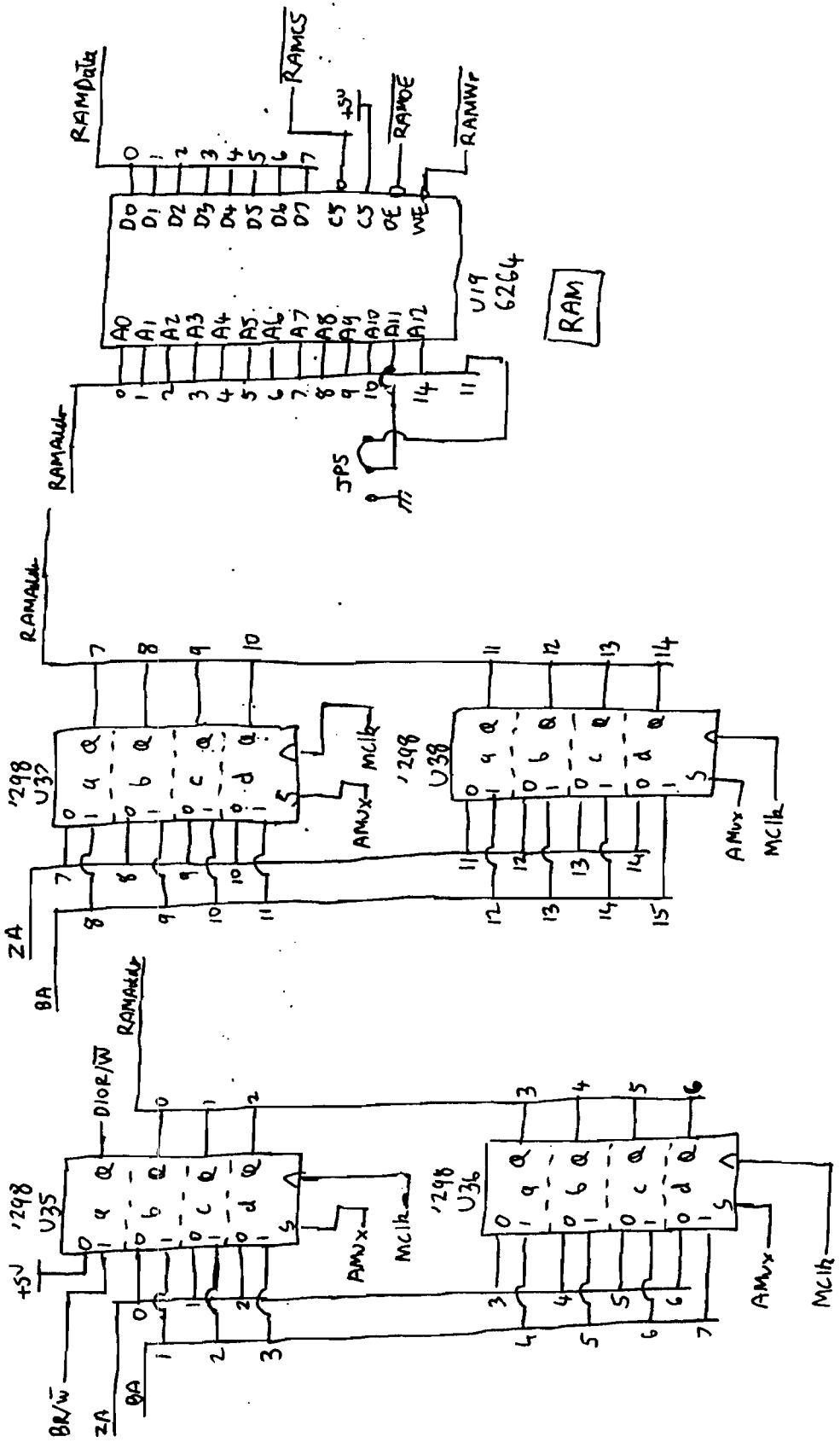
- TSRC = Tx Slow Rate Control
- RxL = Rx Input
- TxL = Tx output
- CS = Carrier Sense
- ACD = Advance Carrier Detect



(DIO Slot)

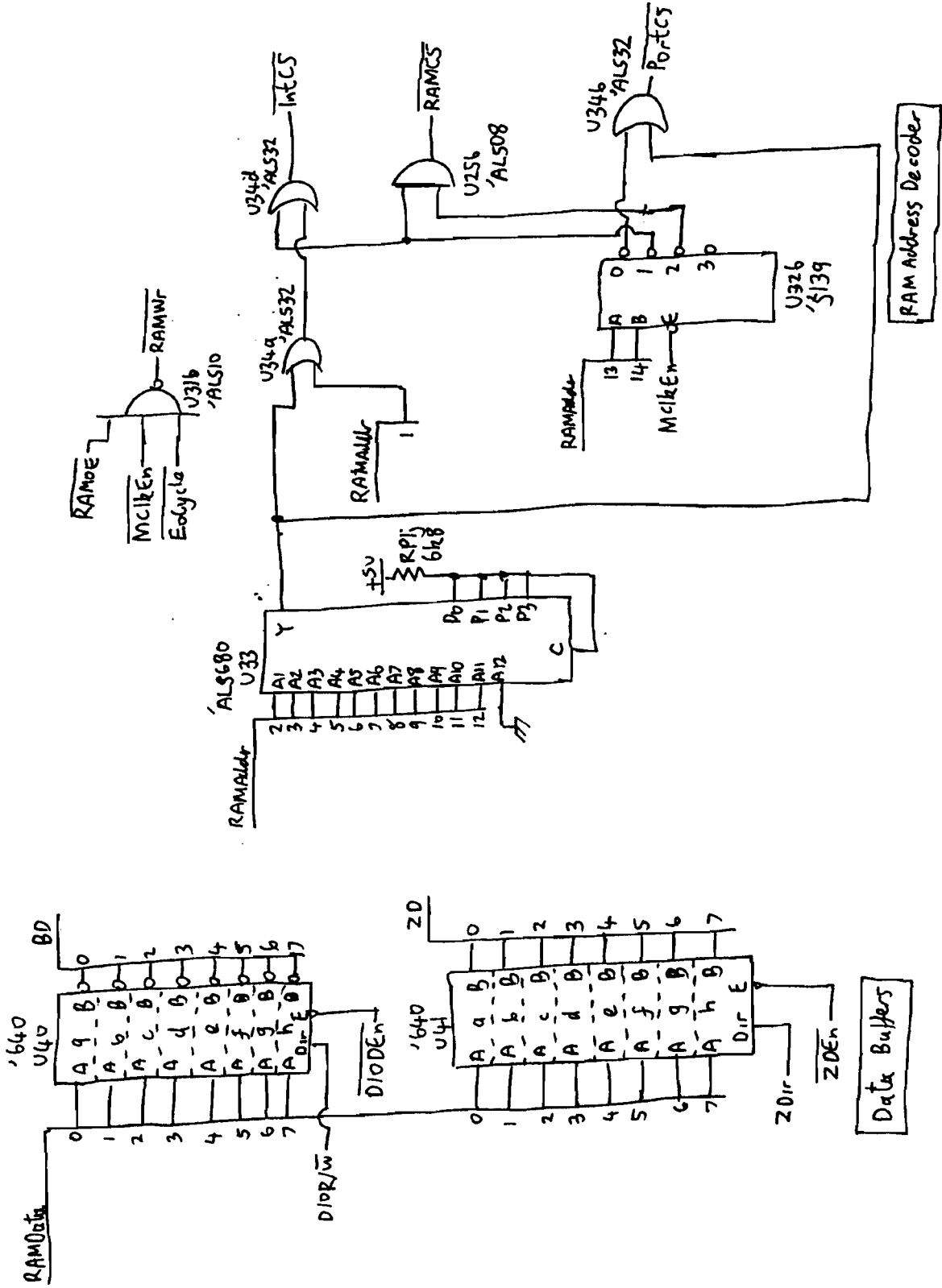


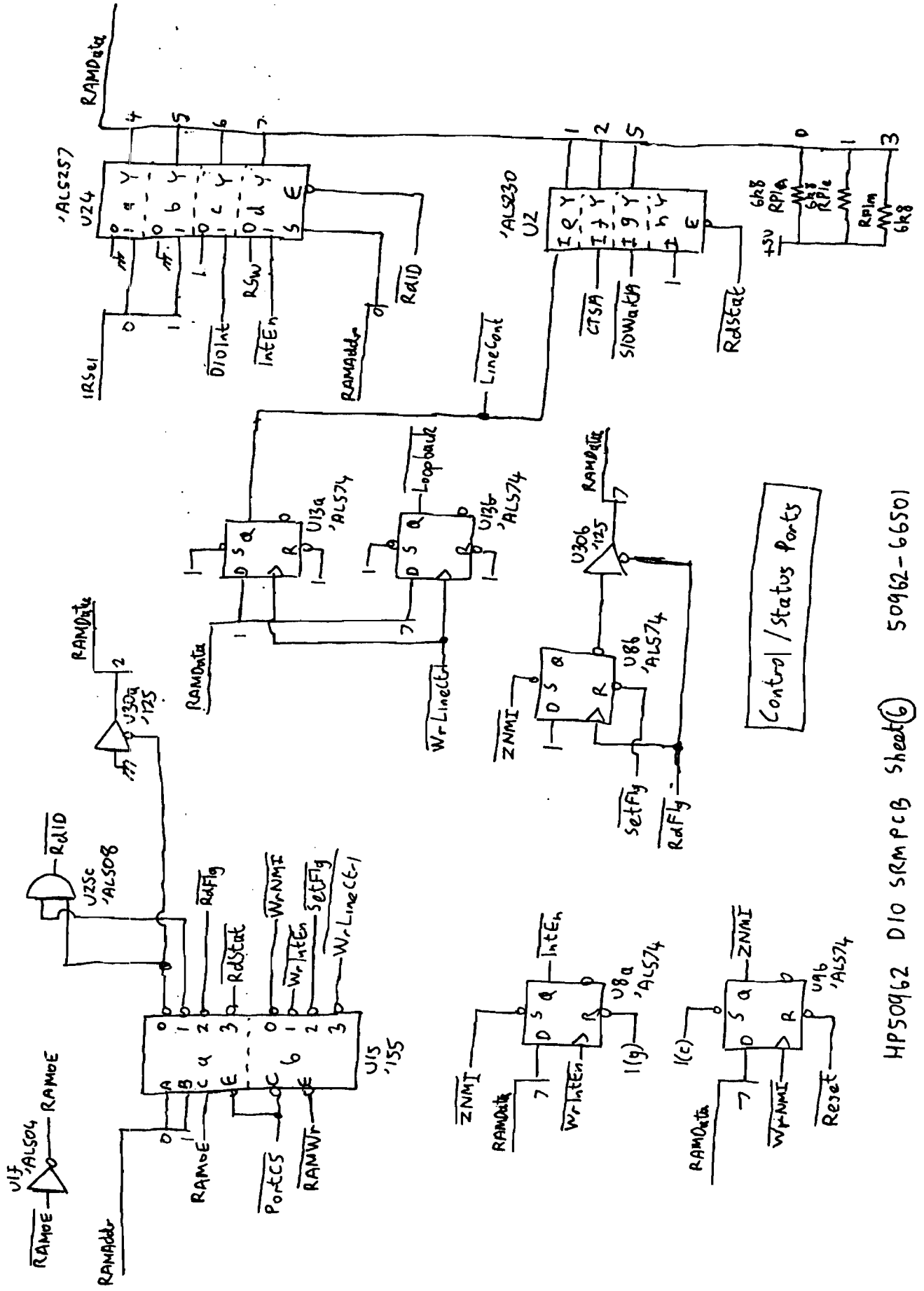


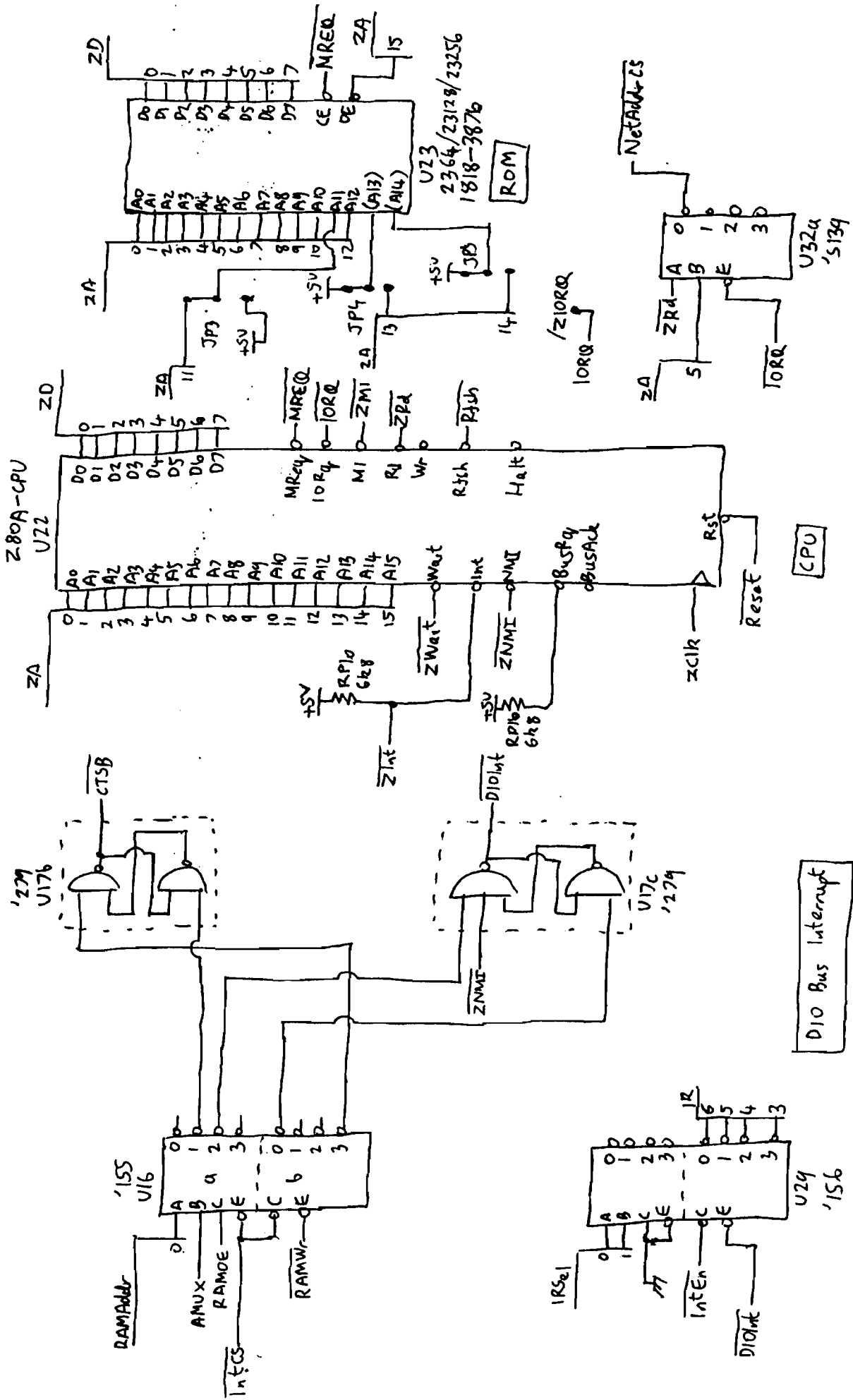


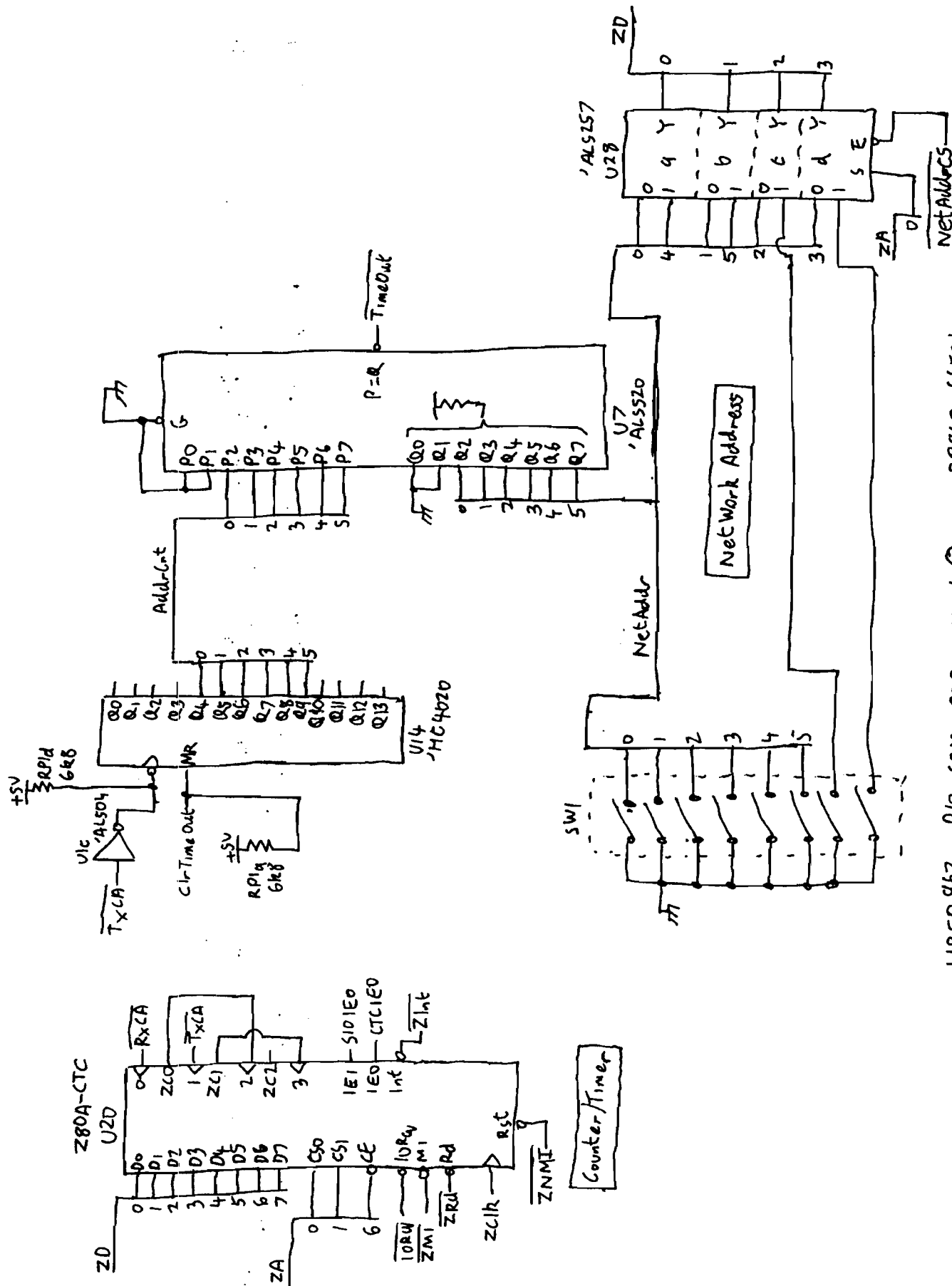
RAM Address Multiplexer

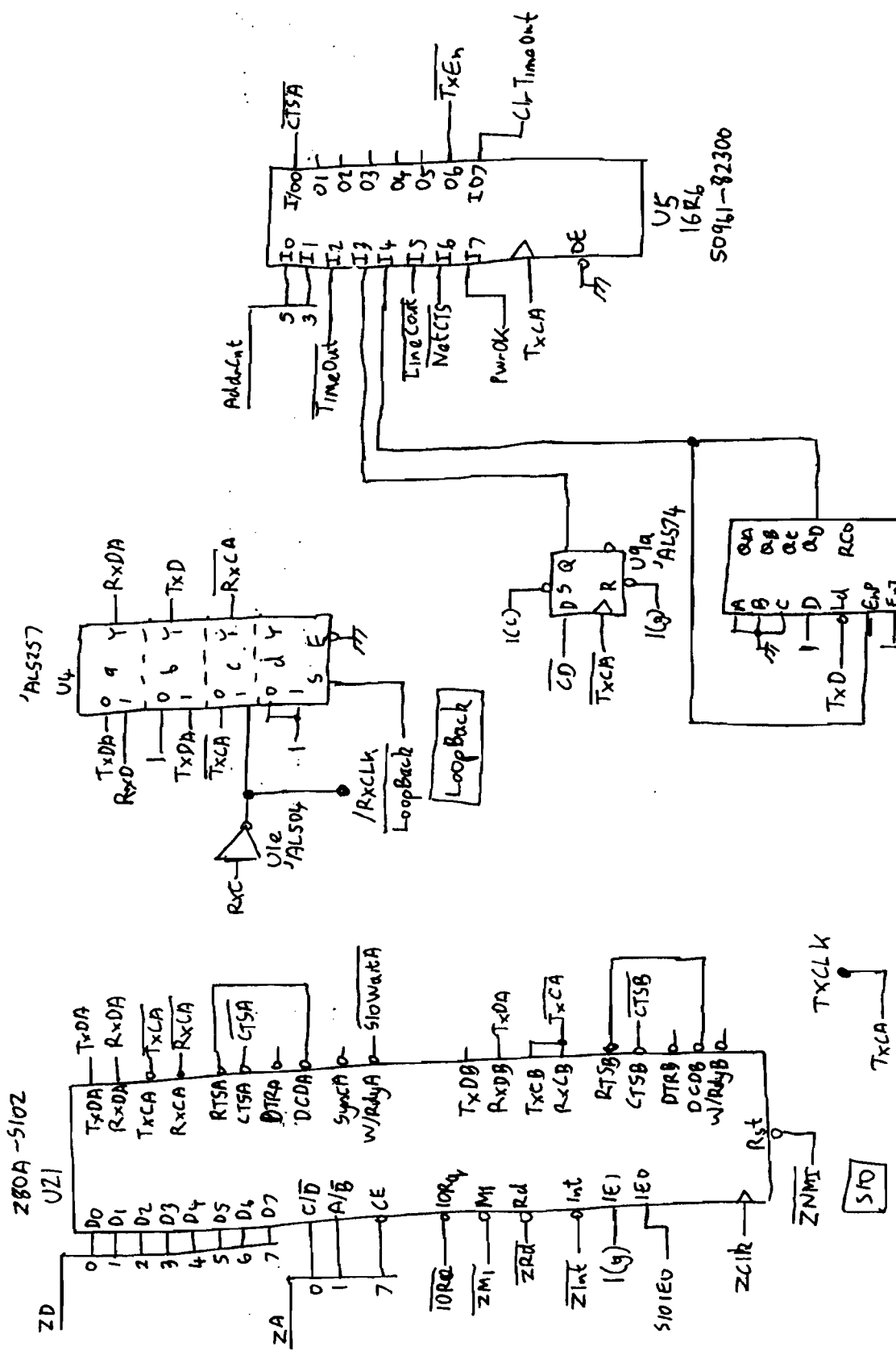
RAM











(Shield of J1 is NOT connected to chassis (⊥) or OV (GND))

