

The software patches may be obtained from HP Customer Service.

INSTRUCTIONS FOR HP-UX 9.05 and 9.07

After you have loaded HP-UX onto the drive, install the appropriate patches using **/etc/update** and reboot the system.

INSTRUCTIONS FOR HP-UX 10.X

After you have loaded HP-UX onto the drive, install the appropriate patches using **swinstall** and reboot the system.

4-GB (Single-ended) Disk Drive User Notes

Refer to your workstation owner's guide or your disk drive installation guide for detailed information about installing your disk drive. During the installation procedure, you may have to change the SCSI ID of your disk drive. Refer to the appropriate illustration to set the SCSI ID jumpers to the desired SCSI ID.

NOTICE: We recommend that you use SCSI ID 6 for your workstation's first hard disk drive, and SCSI ID 5 for the second hard disk drive.

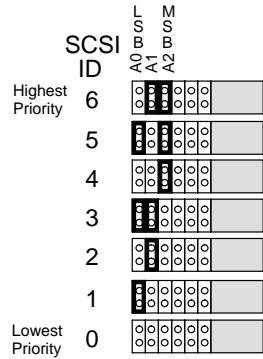
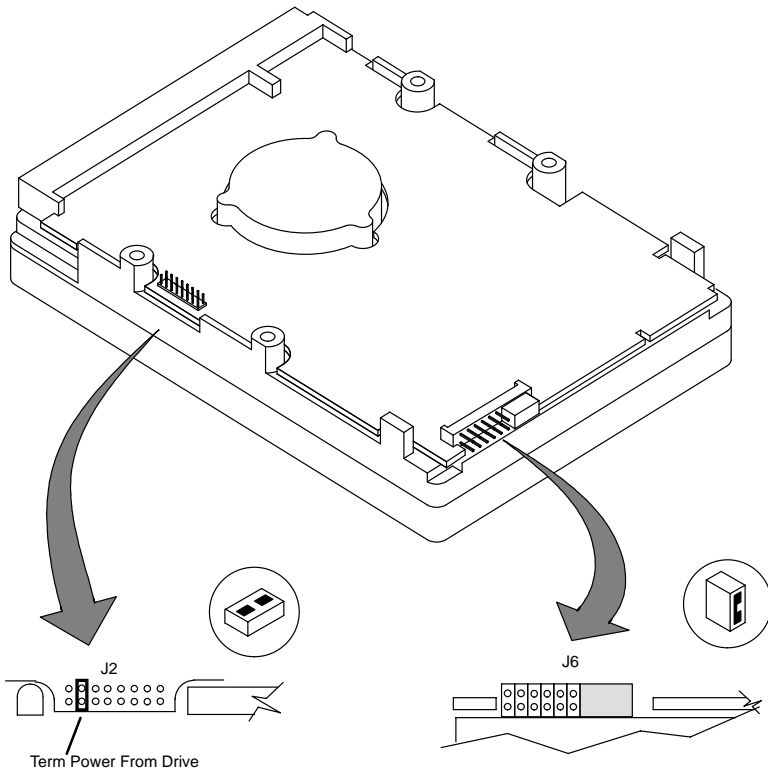
Minimum Software Requirements

The 4-GB disk drive is fully operational with HP-UX Release 10.01 and later on Series 700 binary-compatible systems, although software patches may be necessary. At HP-UX Releases 9.05 and 9.07 this drive may be used as a non-bootable device. Please see the following table and the instructions on the last page of this document.

HP-UX Version	Patches – OS	Patches – Diags
9.05	PHCO_7461	PHSS_7587
9.07	N/A	PHSS_7587
10.01	PHKL_8904, PHKL_8329	PHSS_7583
10.10	PHKL_8906	PHSS_7585
10.20	PHKL_8908	PHSS_7929

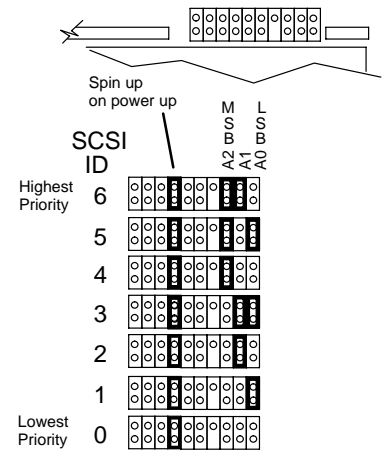
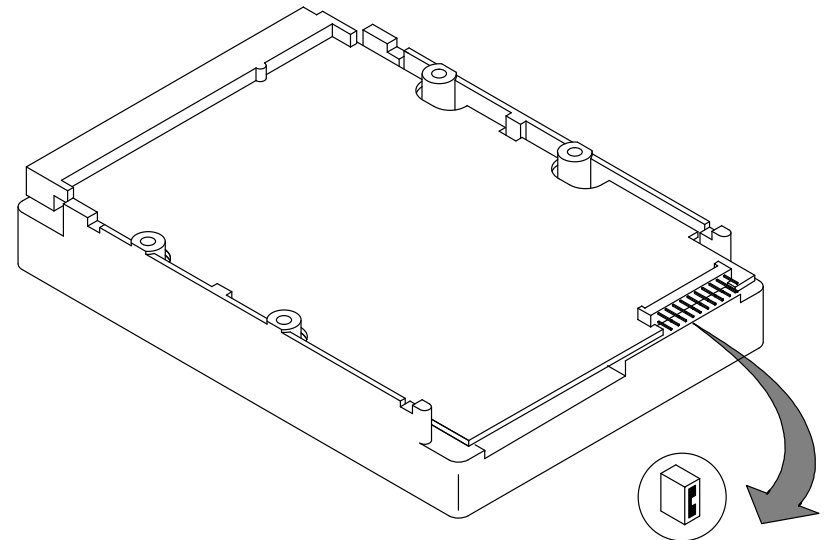
Part Number A1658-90708
Edition E0297
Printed in U.S.A.





CAUTION
Do NOT use the jumper plugs for J2 on J6. You will damage the internal contacts

Seagate ST34371N Disk Drive Jumpers



Quantum - Atlas II - XP34361S Disk Drive Jumpers

The HP part numbers for these drives are A1658-60012 (spare) and A1658-69012 (exchange).