



# **HP 40025A Vertical Floor Mount**

## **Installation Manual**

**HP Computer Museum**  
**[www.hpmuseum.net](http://www.hpmuseum.net)**

**For research and education purposes only.**

# PRINTING HISTORY

The Printing History below identifies the Edition of this Manual and any Updates that are included. Periodically, Update packages are distributed which contain replacement pages to be merged into the manual, including an updated copy of this Printing History page. Also, the update may contain write-in instructions.

Each reprinting of this manual will incorporate all past Updates, however, no new information will be added. Thus, the reprinted copy will be identical in content to prior printings of the same edition with its user-inserted update information. New editions of this manual will contain new information, as well as all Updates.

To determine what manual edition and update is compatible with your current software revision code, refer to the appropriate Software Numbering Catalog, Software Product Catalog, or Diagnostic Configurator Manual.

First Edition ..... Jul 1983  
Second Edition ..... Dec 1983

## NOTICE

The information contained in this document is subject to change without notice.

HEWLETT-PACKARD MAKES NO WARRANTY OF ANY KIND WITH REGARD TO THIS MATERIAL, INCLUDING, BUT NOT LIMITED TO, THE IMPLIED WARRANTIES OF MERCHANTABILITY AND FITNESS FOR A PARTICULAR PURPOSE. Hewlett-Packard shall not be liable for errors contained herein or for incidental or consequential damages in connection with the furnishing, performance or use of this material.

Hewlett-Packard assumes no responsibility for the use or reliability of its software on equipment that is not furnished by Hewlett-Packard.

This document contains proprietary information which is protected by copyright. All rights are reserved. No part of this document may be photocopied, reproduced or translated to another program language without the prior written consent of Hewlett-Packard Company.

## 1.1 DESCRIPTION

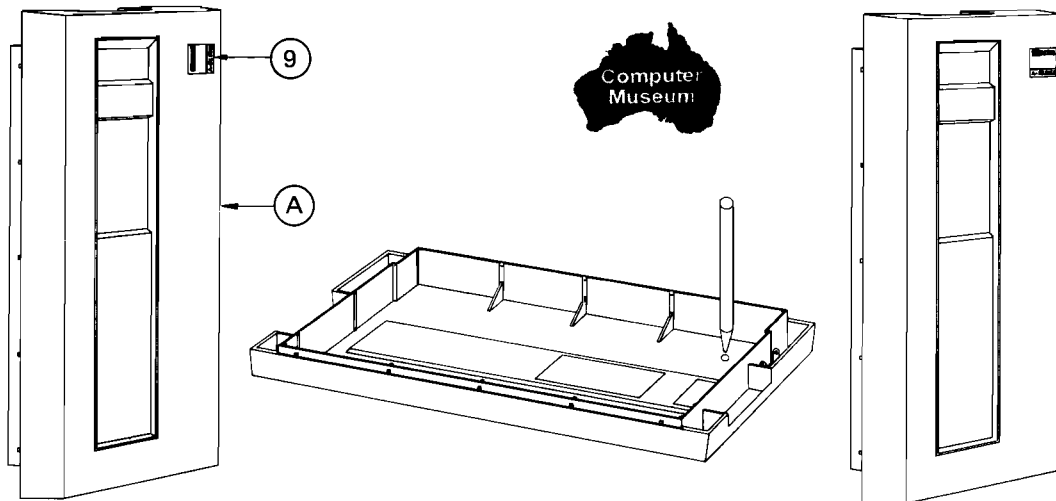
The HP 40025A Vertical Floor Mount is an alternative method of mounting any of the HP Micro/1000 processors (HP 2436A/2437A/2439A for OEMs or HP 2486A/2487A/2489A for End-Users) in a compact, portable, rugged package convenient for vertical desk-side or under-table operation.

## 1.2 RECOMMENDED INSTALLATION PROCEDURE

This manual is the hardware installation procedure for the HP 40025A. Installation of the HP 40025A (Figure 1-1) requires only common tools found in any well equipped support center.

Item designators in this procedure appear on Figures 1-1 and 1-2 in this manual.

1. Remove the processor bezel (A) from the processor box (B) (Figure 1-2).
2. Follow steps (A) through (C) (Figure 1-1) to replace the nameplate (item 9) on the processor bezel. Temporarily set the bezel aside.

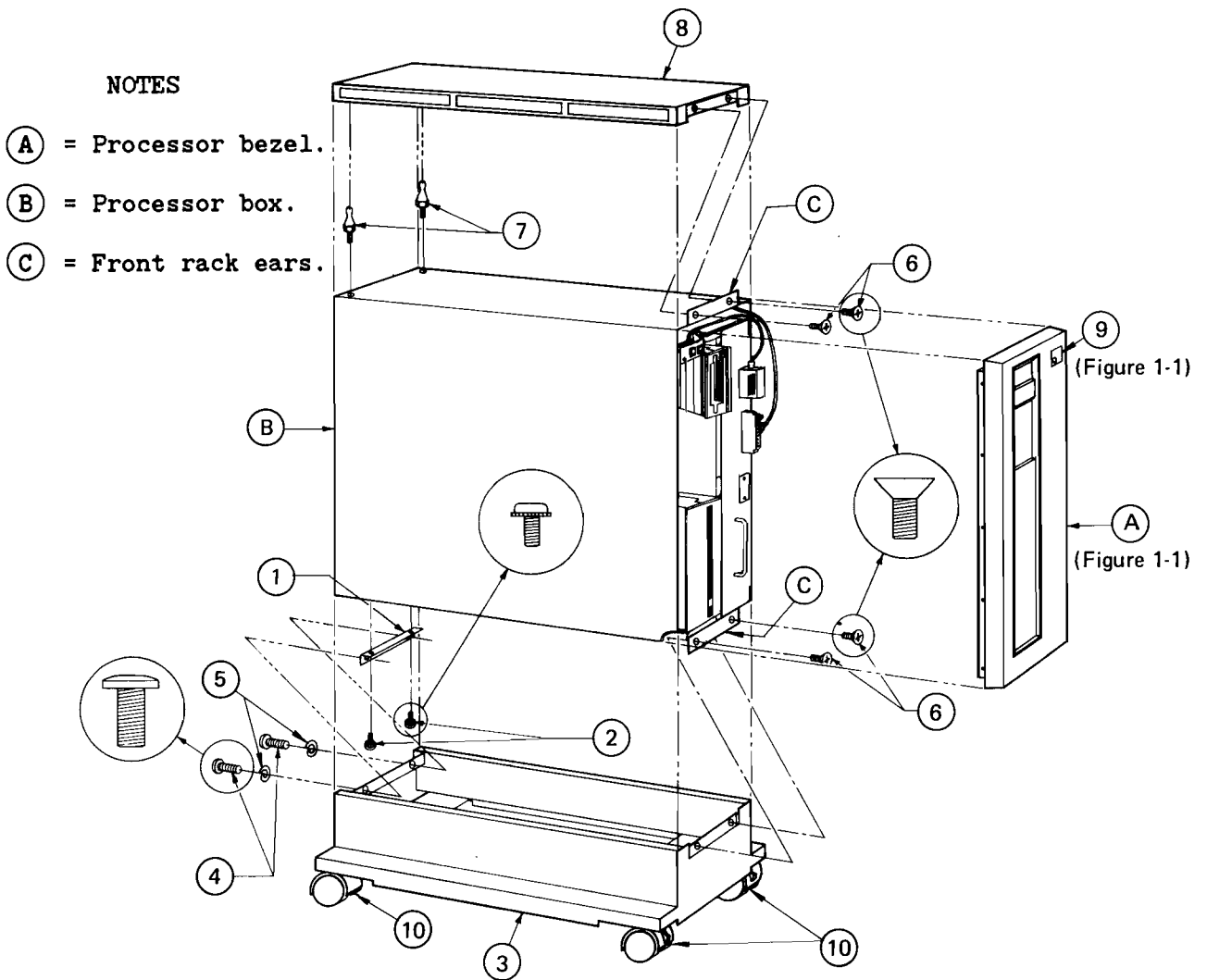


STEPS: (A) TAKE FRONT BEZEL...

(B) .....AND REMOVE OLD PRODUCT IDENTITY LABEL USE A BALL POINT PEN OR OTHER SHARP OBJECT TO PUSH LABEL OFF FROM REAR OF FRONT BEZEL SHOWN ABOVE.

(C) REMOVE ADHESIVE BACKING FROM NEW PRODUCT IDENTITY LABEL AND PLACE ON FRONT BEZEL AS SHOWN.

Figure 1-1. Nameplate Installation



HP 40025A Parts List

ITEM No.	DESCRIPTION	QTY	HP Part No.
1	Mounting Bracket, Flanged	1	40025-00007
2	Screw 6-32x.250L	2	2360-0113
3	Base	1	40025-00005
4	Screw 10-32x.375	2	2680-0099
5	Lockwasher 10 HEL	2	2190-0034
6	Screw 10-32x.375L	4	2680-0100
7	Ball Stud Fastener	2	1390-0628
8	Top Cover	1	40025-00001
9	Nameplate	1	5180-4242
10	Castors (set of 4)	1	1492-0089
11	Manual, Installation	1	40025-90002

Figure 1-2. HP 40025A Installation Diagram

3. Attach the mounting bracket (item 1) to the processor box, using the two mounting bracket screws (item 2).
4. Position the processor box so that the rear surface plane of the mounting bracket flange extends inside of and lines up with the rear mounting holes in the base (item 3) and the processor box lower rack ears C overlap and line up with the forward mounting holes in the base:
  - a. Fasten the flange to the rear base using the two base mounting screws (item 4) and the lockwashers (item 5).
  - b. Fasten the lower rack ears to the base using two of the rack ear screws (item 6).
5. Screw two ball stud fasteners (item 7) into the upper side cover of the processor box.
6. Press the top cover (item 8) down until its rear mounting holes snap onto the ball stud fasteners.
7. Fasten the upper rack ears to the forward edge of the top cover, using the remaining two rack ear screws.
8. Re-install the processor bezel and compare assembled product with Figure 1-3.
9. Refer to the HP Micro/1000 Operating and Service Manual received with your processor (see Section 1-1 for HP model numbers).

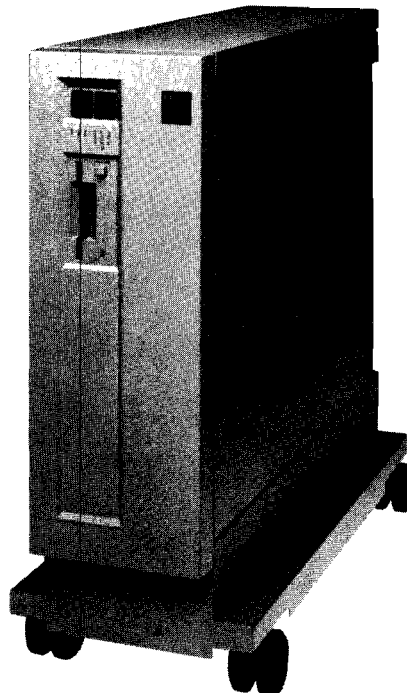


Figure 1-3. Assembled Product



# READER COMMENT SHEET

HP 40025A VERTICAL FLOOR MOUNT  
Installation Manual

40025-90002

December 1983

Update No. \_\_\_\_\_  
(If Applicable)

We welcome your evaluation of this manual. Your comments and suggestions help us improve our publications. Please use additional pages if necessary. If you have technical questions or if you want to order publications, make your inquiries to a representative of your local HP office. Thank you for your comments! No postage necessary if mailed in the U.S.A.

---

**FROM:**

**Name** \_\_\_\_\_

**Company** \_\_\_\_\_

**Address** \_\_\_\_\_

**Phone No.** \_\_\_\_\_ **Ext.** \_\_\_\_\_



FOLD

FOLD

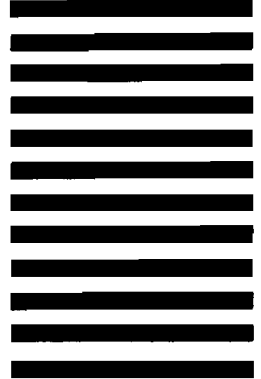


NO POSTAGE  
NECESSARY  
IF MAILED  
IN THE  
UNITED STATES

**BUSINESS REPLY MAIL**  
FIRST CLASS PERMIT NO. 141 CUPERTINO, CA.

— POSTAGE WILL BE PAID BY —

**Hewlett-Packard Company**  
Data Systems Division  
11000 Wolfe Road  
Cupertino, California 95014  
**ATTN: Technical Publications**



FOLD

FOLD





**MANUAL PART NO. 40025-90002**  
**Printed in U.S.A. December 1983**  
**E1283**

**HEWLETT-PACKARD COMPANY**  
**Data Systems Division**  
**11000 Wolfe Road**  
**Cupertino, California 95014**