

**INSTALLATION AND SERVICE
MANUAL**

**40015 AND 40016 DOOR
ASSEMBLIES**

Manual part no. 40015-90008
Microfiche part no. 40015-90009



Printed: MAY 1978
Printed in U.S.A.

HP Computer Museum
www.hpmuseum.net

For research and education purposes only.

LIST OF EFFECTIVE PAGES

Changed pages are identified by a change number adjacent to the page number. Changed information is indicated by a vertical line in the margin of the page. Original pages (Change 0) do not include a change number. Insert latest changed pages and destroy superseded pages.

Change 1 MAY 1978

NOTICE

The information contained in this document is subject to change without notice.

HEWLETT-PACKARD MAKES NO WARRANTY OF ANY KIND WITH REGARD TO THIS MATERIAL, INCLUDING, BUT NOT LIMITED TO, THE IMPLIED WARRANTIES OF MERCHANTABILITY AND FITNESS FOR A PARTICULAR PURPOSE. Hewlett-Packard shall not be liable for errors contained herein or for incidental or consequential damages in connection with the furnishing, performance or use of this material.

This document contains proprietary information which is protected by copyright. All rights are reserved. No part of this document may be photocopied or reproduced without the prior written consent of Hewlett-Packard Company.

Copyright © 1978 by HEWLETT-PACKARD COMPANY

**Library Index No.
40015.030.40015 90008**

CONTENTS

Section	Page	Section	Page
Introduction	1	Removal and Replacement	3
Inspection	1	Removal of 40015-60106, 40015-60107, 40015-60108, 40015-60109, 40015-60110, and 40015-60111 Doors	3
Reshipping	1	Removal of 40016-60101, 40016-60103 and 40016-60104 Doors	3
Installation	1	Replacement Parts	4
Preventive Maintenance	3	Ordering Information	4
Inspection	3		
Cleaning	3		

ILLUSTRATIONS

Title	Page	Title	Page
Location of Screw Holes for Door Installation	2	Door Assemblies (40015-60109, 40015-60110, and 40015-60111) Exploded View	13
Door Assemblies (40015-60106, 40015-60107, and 40015-60108) Exploded View	9	Door Assemblies (40016-60101, 40016-60103, and 40016-60104) Exploded View	17

TABLES

Title	Page	Title	Page
Preventive Maintenance Schedule	3	Door Assemblies (40016-60101, 40016-60103, and 40016-60104) Replaceable Parts	15
Door Assemblies (40015-60106, 40015-60107 and 40015-60108) Replaceable Parts	5	Reference Designations and Abbreviations	18
Door Assemblies (40015-60109, 40015-60110, and 40015-60111) Replaceable Parts	11	Code List of Manufacturers	19

1. INTRODUCTION

2. This manual provides inspection, reshipping, installation, and replaceable, parts information for the part number 40015-60106, 40015-60107, 40015-60108, 40015-60109, 40015-60110, 40015-60111, 40016-60101, 40016-60103, and 40016-60104 cabinet bay doors. All four doors are used on 56-inch HP 29400B-Series Cabinets. The 40015-60106, 40015-60107, and 40015-60108 doors are hinged on the left; the 40015-60109, 40015-60110, and 40015-60111 doors are hinged on the right; the 40016-60101, 40016-60103, and 40016-60104 doors have no hinges but are snapped into place on the cabinet and held there by friction latches.

3. INSPECTION

4. If the shipping carton is damaged upon receipt, request the carrier's agent be present when the door is unpacked. Inspect the door for damage (scratches, dents, broken parts, etc.). If the door is damaged or fails to operate properly after installation, notify the carrier and the nearest Hewlett-Packard Sales and Service Office immediately. (Sales and Service Offices are listed at the back of this manual.) Retain the shipping carton and packing material for the carrier's inspection. The Sales and Service Office will arrange for the repair or replacement of damaged doors without waiting for any claims against the carrier to be settled.

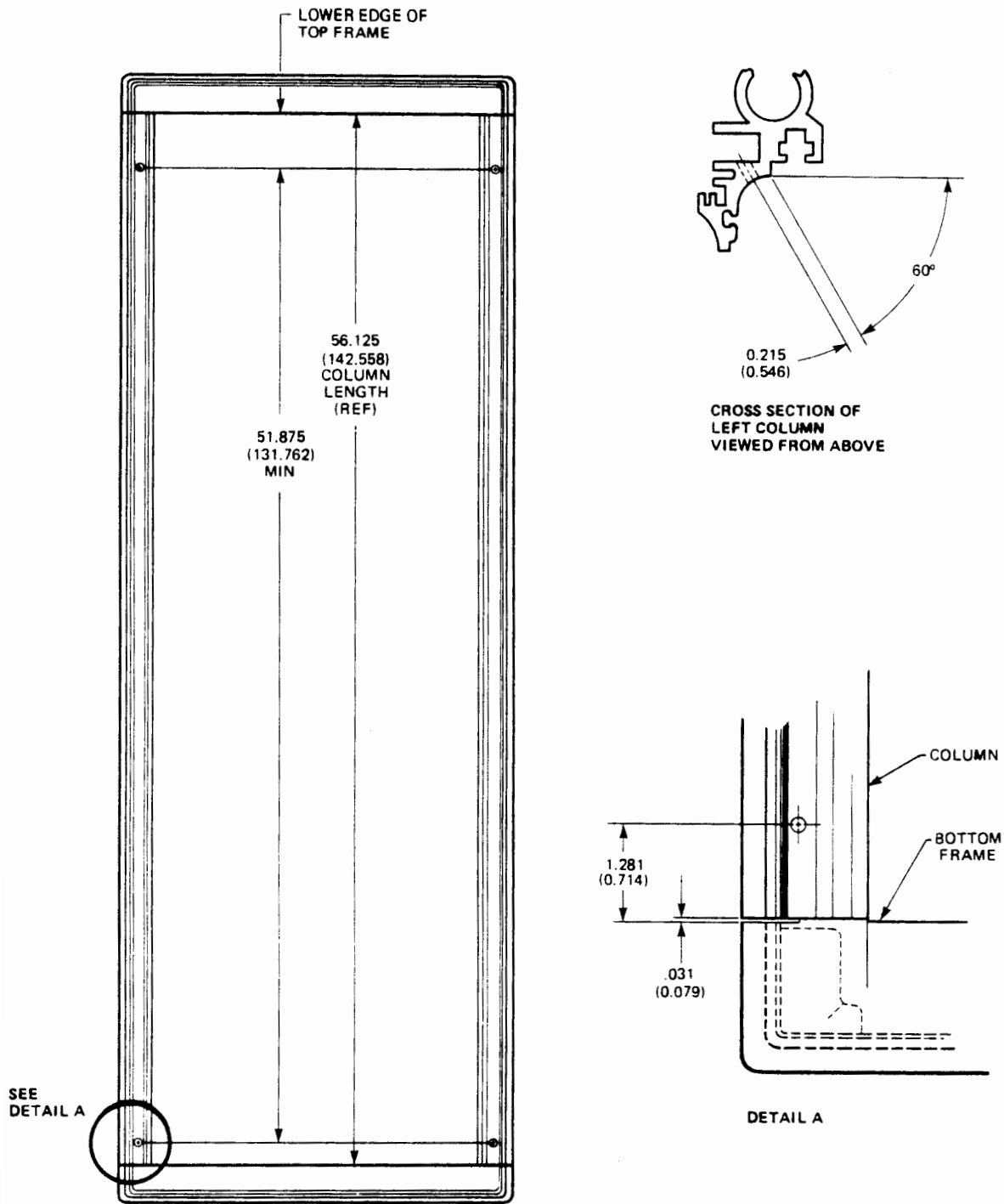
5. RESHIPPING

6. If the door is to be shipped to Hewlett-Packard for service or repair, attach a tag to the door identifying the owner and indicating the service or repair to be accomplished. Pack the door in the original shipping carton if available. If the original shipping carton is not available, a suitable container and necessary packing material can be procured from your local Hewlett-Packard Sales and Service Office.

7. If the original shipping carton is not used, wrap the door in heavy paper and place it in a heavy (350 lbs/sq in. test) carton or wooden container. Place adequate packing material around all sides of the door. Bind the carton or wooden box with strong tape or metal bands and mark the shipping container "FRAGILE."

8. INSTALLATION

9. Before installing the door on the cabinet, it is first necessary to drill holes in the front columns of the cabinet to accommodate the screws which fasten the hinge brackets, striker, cabinet latch brackets, or door-hanging brackets. Figure 1 illustrates location of the holes. A number 24 (0.152 inch or 0.386 centimeter) drill is used for drilling holes. (On doors using friction latches, only one screw is used to secure the cabinet latch bracket to the column; therefore, only one screw hole is required.) Refer to figure 2, 3, or 4 to identify the parts to be fastened to the columns and their general location.



NOTE:
1. ALL DIMENSIONS IN INCHES (CENTIMETERS).

Figure 1. Location of Screw Holes for Door Installation

10. PREVENTIVE MAINTENANCE

11. The doors require a minimum of preventive maintenance. Table 1 lists the schedule for periodic inspection and cleaning of the doors.

Table 1. Preventive Maintenance Schedule

ROUTINE	SCHEDULE
Inspection (paragraph 12)	Monthly
Cleaning (paragraph 14)	Biweekly

12. INSPECTION

13. The door should be periodically inspected for signs of mechanical defects. Parts should be inspected for excessive wear, looseness, misalignment, and oxidation.

14. CLEANING



15. The door should be kept free of dust, moisture, grease and foreign matter. A dry, clean cloth, a soft bristle brush, or a cloth saturated with mild detergent solution or a similar cleaning agent may be used to clean the door.

16. REMOVAL AND REPLACEMENT

17. Procedures for removing the cabinet doors from a cabinet are listed below. Refer to the exploded view illustrations of the doors to follow the instructions. Replacement procedures are essentially the reverse of the removal procedures.

18. REMOVAL OF 40015-60106, 40015-60107, 40015-60108, 40015-60109, 40015-60110, AND 40015-60111 DOORS

19. To remove these doors, proceed as follows:

- a. Open door.
- b. Lift door until hinge block pins clear upper and lower hinge brackets; then move door free of cabinet.

20. REMOVAL OF 40016-60101, 40016-60103, AND 40016-60104 DOORS

21. To remove these doors, proceed as follows:

- a. Pull out bottom of door until the two friction latches release the door.
- b. Lift door until the two door-mounting hangers clear the door-hanging brackets; then move the door free of the cabinet.

22. REPLACEMENT PARTS

23. Table 2 lists for part number 40015-60106, 40015-60107, and 40015-60108 doors in disassembly order. Figure 2 illustrates these parts. Table 3 and figure 3 do the same for the part number 40015-60109, 40015-60110, and 40015-60111 doors. Table 4 and figure 4 do the same for the part number 40016-60101, 40016-60103, and 40016-60104 doors. Tables 2 through 4 list the following information for each part:

- a. Hewlett-Packard part number.
- b. Description of the part. (Refer to the list of abbreviations in table 5 for explanation of the abbreviations used in the DESCRIPTION column.)
- c. Typical manufacturer of the part as a five-digit code. (Refer to table 6 for a listing of manufacturers that correspond to the codes.)
- d. Manufacturer's part number.
- e. Total quantity of each part used in the device.

24. Items in the DESCRIPTION column of the replaceable parts lists are indented to indicate item relationships, as follows:

DESCRIPTION

- * Subassembly
- * Attaching Parts for Subassembly
- * * Subassembly Parts
- * * Attaching Parts for Subassembly Parts

25. ORDERING INFORMATION

26. To order replacement parts, address order or inquiry to the local Hewlett-Packard Sales and Service Office. (Refer to list at the back of this manual for addresses.) Specify the following information for each part ordered:

- a. Door part.
- b. Hewlett-Packard part number for each part.
- c. Description of each part.

Table 2. Door Assemblies (40015-60106, 40015-60107, and 40015-60108) Replaceable Parts

FIG. NO.	INDEXING PART NO.	DESCRIPTION	MFR. CODE	MFR. PART NO.	ITEMS PER ASSY
				40015-60106:40015-60107:40015-60108	
1	40015-60106	DOOR ASSEMBLY	28480	40015-60106	1
2	40015-60107	DOOR ASSEMBLY	28480	40015-60107	1
3	40015-60108	DOOR ASSEMBLY	28480	40015-60108	1
4	2950-0007	* NUT, HEX, NO. 0.3125-32	100000	ORD	1
5	2190-0432	* WASHER, LOCK, FLICAL, 0.319 IN. ID, 0.575 IN. OD	100000	ORD	1
6	40015-00034	* CAM, FRONT DOOR	28480	40015-00034	1
7	2950-0152	* NUT, HEX, NO. 3/4-32	100000	ORD	1
8	2190-0051	* WASHER, LOCK, INT. TOOTH, 0.757 IN. ID, 1.077	100000	ORD	1
9	1390-0344	* LOCK	28480	1390-0344	1
10	1390-0345	* KEY	28480	1390-0345	2
11	40015-00008	* PANEL, CONTROL	28480	40015-00008	1
12		(ATTACHING PARTS)			
13	0340-1046	* SPACER, TAPPED	28480	0360-1046	7
14	2190-0007	* WASHER, LOCK, INT. TOOTH, 0.141 IN. ID, 0.288 IN. OD	100000	ORD	7
15		(ATTACHING PARTS)			
16	0624-0078	* SCREW, TAPPING, PAN HEAD, POZI, NO. 6-32, 0.375 IN.	100000	ORD	3
17	3050-0228	* WASHER, FLAT, NO. 6	100000	ORD	3
18		* PANEL ASSEMBLY, EMERGENCY OFF SWITCH	28480	NO NUMBER	1
19	0510-0079	* RING, METALIER	28480	0510-0079	1
20	0510-0557	* CLIP, SPRING	28480	0510-0557	1
21	40015-20004	* PUSHBUTTON	28480	40015-20004	1
22	40015-20009	* SCREW, TAPPING, PAN HEAD, POZI, NO. 6-32, 0.375 IN.	100000	ORD	3
23	40015-00015	* OVERLAY, EMERGENCY OFF SWITCH PANEL	28480	40015-00015	1
24	40015-60001	* PANEL, EMERGENCY OFF SWITCH	28480	40015-60001	1
25	40015-20011	* EXTRUSION, CONTROL PANEL	28480	40015-20011	1
26	40015-20010	* PANEL, DOOR IN/IN	28480	40015-20010	1
27		(ATTACHING PARTS)			
28	0624-0078	* SCREW, TAPPING, PAN HEAD, POZI, NO. 6-32, 0.375 IN.	100000	ORD	3
29	2420-0001	* NUT, HEX, NO. 6-32, 0.312 IN.	100000	ORD	2
30	2360-0195	* SCREW, MACHINE, PAN HEAD, POZI, NO. 6-32, 0.312 IN.	100000	ORD	2
31	3050-0228	* WASHER, FLAT, NO. 6	100000	ORD	2
32		(ATTACHING PARTS)			
33	40015-20016	* FRAME, INNER, HORIZONTAL, UPPER	28480	40015-20016	1
34	40015-00024	* PANEL, DOOR	28480	40015-00024	1
35	40015-00025	* PANEL, DOOR	28480	40015-00025	1
36		(ATTACHING PARTS)			
37	0624-0078	* SCREW, TAPPING, PAN HEAD, POZI, NO. 6-32, 0.375 IN.	100000	ORD	8
38	3050-0228	* WASHER, FLAT, NO. 6	100000	ORD	8
39	2420-0001	* NUT, HEX, NO. 6-32, 0.312 IN.	100000	ORD	3
40	3050-0228	* WASHER, FLAT, NO. 6	100000	ORD	6
41	2360-0195	* SCREW, MACHINE, PAN HEAD, POZI, NO. 6-32, 0.438 IN.	100000	ORD	3
42		(ATTACHING PARTS)			
43	40015-40004	* GRILL, UPPER	28480	40015-40004	1
44		(ATTACHING PARTS)			

Table 2. Door Assemblies (40015-60106, 40015-60107, and 40015-60108) Replaceable Parts (Continued)

LINE#	PART NO	DESCRIPTION	MFM CODE	IMPR PART NO	ITEMS PER ASSY
33	2420-0001	* NUT, HEX, NO. 6-32, 0.312 IN.	100000	ORD	3
34	3050-0226	* WASHER, FLAT, NO. 6	100000	ORD	6
35	2360-0199	* SCREW, MACHINE, PAN HEAD, POZI, NO. 6-32, 0.438 IN.	100000	ORD	3
36	0624-0078	* SCREW, TAPPING, PAN HEAD, POZI, NO. 6-32, 0.375 IN.	100000	ORD	4
37	3050-0228	* WASHER, FLAT, NO. 6	100000	ORD	4
38	40015-40004	* GRILL, LOWER (ATTACHING PARTS)	128480	40015-40004	1
39	0624-0078	* SCREW, TAPPING, PAN HEAD, POZI, NO. 6-32, 0.375 IN.	100000	ORD	7
40	3050-0228	* WASHER, FLAT, NO. 6	100000	ORD	7
41	40015-20016	* FRAME, INNER HORIZONTAL, LOWER	128480	40015-20016	1
42	4120-0284	* EXTRUSION, HOUR, 12.25 FEET	128480	4320-0284	1
43	4330-0788	* MOLDING, CORNER, RUBBER	128480	4330-0788	4
44	40015-20013	* CASTING, CORNER (ATTACHING PARTS)	128480	40015-20013	4
45	0624-0078	* SCREW, TAPPING, PAN HEAD, POZI, NO. 6-32, 0.375 IN.	100000	ORD	4
46	40015-20006	* FRAME, OUTER HORIZONTAL	128480	40015-20006	2
47	1390-0342	* LATCH, FRICTION (ATTACHING PARTS)	128480	1390-0342	1
48	2260-0009	* NUT, HEX, NO. 4-40, 0.25 IN.	100000	ORD	2
49	2200-0166	* SCREW, MACHINE, FLAT HEAD, POZI, NO. 4-40, 0.312 IN.	100000	ORD	2
50	40015-00007	* BRACKET, DOOR LATCH (ATTACHING PARTS)	128480	40015-00007	1
51	0624-0078	* SCREW, TAPPING, PAN HEAD, POZI, NO. 6-32, 0.375 IN.	100000	ORD	2
52	3050-0228	* WASHER, FLAT, NO. 6	100000	ORD	2
53	40015-20007	* FRAME, INNER VERTICAL (ATTACHING PARTS)	128480	40015-20007	1
54	0624-0078	* SCREW, TAPPING, PAN HEAD, POZI, NO. 6-32, 0.375 IN.	100000	ORD	2
55	40015-20005	* FRAME, OUTER VERTICAL	128480	40015-20005	1
56	40015-20007	* FRAME, INNER VERTICAL (ATTACHING PARTS)	128480	40015-20007	1
57	0624-0078	* SCREW, TAPPING, PAN HEAD, POZI, NO. 6-32, 0.375 IN.	100000	ORD	2
58	40015-20001	* HINGE BLOCK (ATTACHING PARTS)	128480	40015-20001	2
59	0624-0078	* SCREW, TAPPING, PAN HEAD, POZI, NO. 6-32, 0.375 IN.	100000	ORD	2
60	40015-20005	* FRAME, OUTER VERTICAL	128480	40015-20005	1

Table 2. Door Assemblies (40015-60106, 40015-60107, and 40015-60108) Replaceable Parts (Continued)

FIG. NO.	INDEX:HP PART NO.	DESCRIPTION	MFH ICODE	MFH PART NO.	ITEMS PER ASSY
2-				40015-60106; 40015-60107; 40015-60108	
63	40015-20002	BRACKET, HINGE (ATTACHING PARTS)	28480	40015-20002	2
64	0624-0216	SCREW, TAPPING, PAN HEAD, POZI, NO. 8-32, 0.375 IN.	100000	08D	1
65	1330-0342	LATCH, FRICTION (ATTACHING PARTS)	28480	1390-0342	1
66	2260-0009	NUT, HEX, NO. 4-40, 0.25 IN.	100000	08D	2
67	2200-0166	SCREW, MACHINE, FLAT HEAD, POZI, NO. 4-40, 0.312 IN.	100000	08D	2
68	40015-20012	BRACKET, CABINET LATCH (ATTACHING PARTS)	28480	40015-20012	1
69	0624-0216	SCREW, TAPPING, PAN HEAD, POZI, NO. 8-32, 0.375 IN.	100000	08D	2

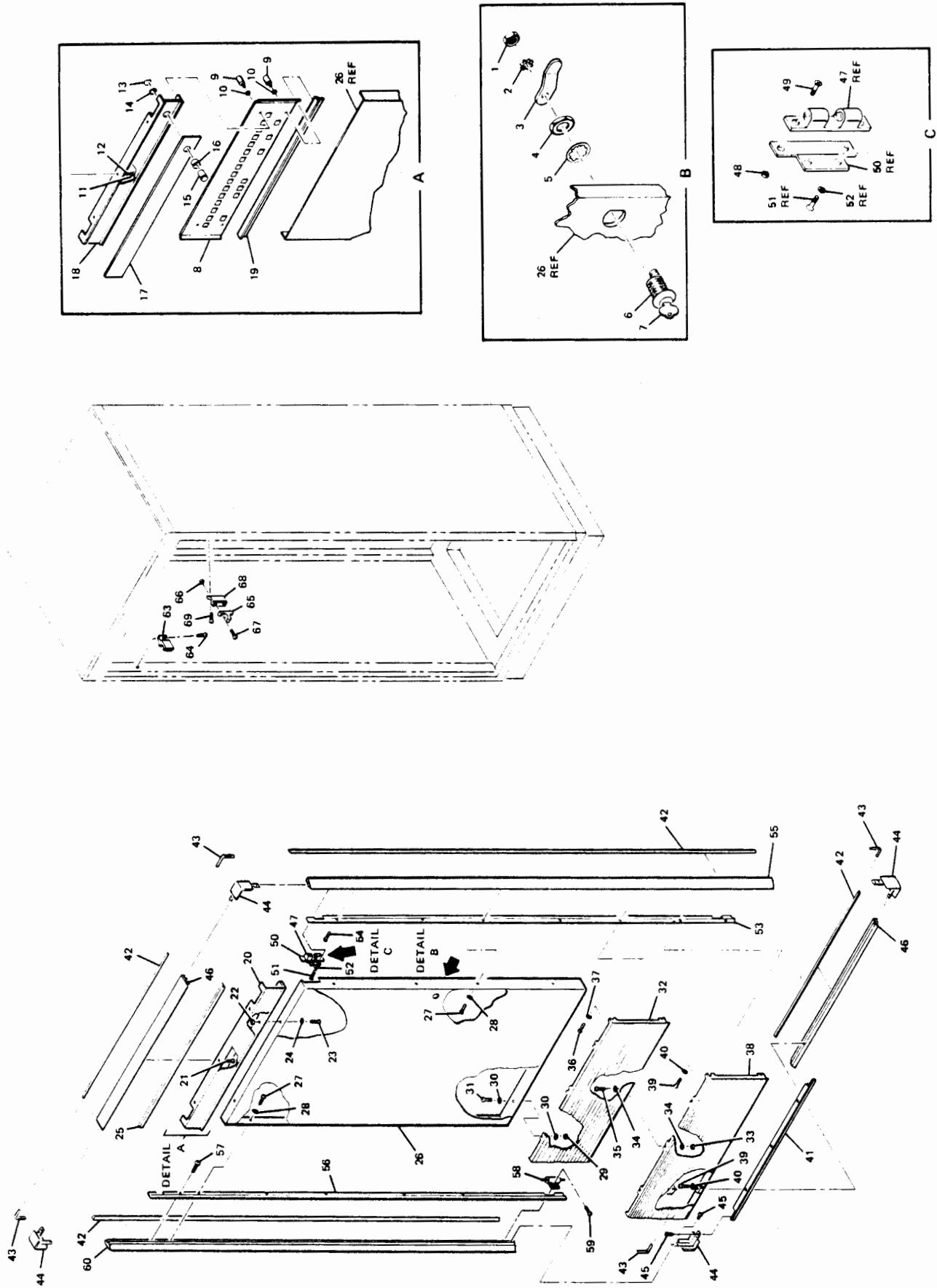


Figure 2. Door Assemblies (40015-60106, 40015-60107 and 40015-60108) Exploded View

7102-80

Table 3. Door Assemblies (40015-60109, 40015-60110, and 40015-60111) Replaceable Parts

FIG 6: INDEX:HP PART NO NO	DESCRIPTION	MFR CODE	MFR PART NO	ITEMS PER ASSY
3-				40015- 40015- 60109 60110/11
40015-60109	DOOR ASSEMBLY	28480	40015-60109	
40015-60110	DOOR ASSEMBLY	28480	40015-60110	
40015-60111	DOOR ASSEMBLY	28480	40015-60111	
1	* NUT, HEX, NO. 0.3125-32	00000	OBD	1
2	* WASHER, LOCK, HELICAL, 0.319 IN. ID, 0.575 IN. OD	00000	OBD	1
3	* CAM, LOCK	00000	OBD	1
4	* NUT, HEX, NO. 3/4-32	00000	OBD	1
5	* WASHER, LOCK, INT. TOOTH, 0.757 IN. ID, 1.077	00000	OBD	1
6	* LOCK AND KEY ASSEMBLY	28480	1390-0344	1
7	* KEY	28480	1390-0345	2
8	* PANEL, DOOR	28480	40015-00027	1
9	* PANEL, DOOR (43.5 INCHES)	28480	40015-00030	/1
10	(ATTACHING PARTS)			
8	* SCREW, TAPPING, PAN HEAD, POZI, NO. 6-32, 0.375 IN.	00000	OBD	8
9	* WASHER, FLAT, NO. 6	00000	OBD	8
10	* NUT, HEX, NO. 6-32, 0.312 IN.	00000	OBD	2
11	* NUT, HEX, NO. 6-32, 0.312 IN.	00000	OBD	2
12	* SCREW, MACHINE, PAN HEAD, POZI, NO. 6-32, 0.312 IN.	00000	OBD	2
13	* WASHER, FLAT, NO. 6	00000	OBD	2
14	* NUT, HEX, NO. 6-32, 0.312 IN.	00000	OBD	3
15	* WASHER, FLAT, NO. 6	00000	OBD	6
16	* SCREW, MACHINE, PAN HEAD, POZI, NO. 6-32, 0.438 IN.	00000	OBD	3
17	--- X ---			
16	* RING, RETAINER	28480	0510-0079	1
17	* CLIP, SPRING	28480	0510-0557	1
18	* PUSHBUTTON	28480	40015-20004	1
19	* BUSHING	28480	40015-20009	1
20	* PANEL, DOOR TRIM	28480	40015-00017	1
21	(ATTACHING PARTS)			
21	* SCREW, TAPPING, PAN HEAD, POZI, NO. 6-32, 0.375 IN.	00000	OBD	3
22	--- X ---			
22	* FRAME, INNER, HORIZONTAL, UPPER	28480	40015-20016	1
23	* GRILL, UPPER	28480	40015-40002	1
24	(ATTACHING PARTS)			
24	* NUT, HEX, NO. 6-32, 0.312 IN.	00000	OBD	3
25	* WASHER, FLAT, NO. 6	00000	OBD	6
26	* SCREW, MACHINE, PAN HEAD, POZI, NO. 6-32, 0.438 IN.	00000	OBD	3
27	* SCREW, TAPPING, PAN HEAD, POZI, NO. 6-32, 0.375 IN.	00000	OBD	4
28	* WASHER, FLAT, NO. 6	00000	OBD	4
28A	--- X ---			
28A	* NUT, HEX, NO. 6-32, 0.312 IN.	00000	OBD	3
28B	* WASHER, FLAT, NO. 6	00000	OBD	6
28C	* SCREW, MACHINE, PAN HEAD, POZI, NO. 6-32, 0.438 IN.	00000	OBD	3
28D	* PANEL, DOOR TRIM	28480	40015-00029	1



* DOOR PANEL AND ATTACHING PARTS ARE PROVIDED BY SPECIAL ORDER FOR 40015-60110. ORDER REPLACEMENTS BY DESCRIPTION.

Table 3. Door Assemblies (40015-60109, 40015-60110, and 40015-60111) Replaceable Parts (Continued)

ITEM NO.	DESCRIPTION	QTY	UNIT	ITEMS PER ASSY
29	CHILI, LOCK (ATTACHING PARTS)	1		1
30	SCREW, TAPPING, PAN HEAD, PUZI, NC. 6-32, 0.375 IN.	7		7
31	WASHER, FLAT, NC. 6	7		7
32	FRAME, INNER HORIZONTAL, LOCK (ATTACHING PARTS)	1		1
33	FRUSTUM, LOCK, 17.75 FFET	1		1
34	WELDING, CORNER, RUBBER	4		4
35	CASTING, CORNER (ATTACHING PARTS)	4		4
36	SCREW, TAPPING, PAN HEAD, PUZI, NC. 6-32, 0.375 IN.	4		4
37	FRAME, UPPER VERTICAL (ATTACHING PARTS)	2		2
38	FRAME, INNER VERTICAL (ATTACHING PARTS)	2		2
39	SCREW, TAPPING, PAN HEAD, PUZI, NC. 6-32, 0.375 IN.	2		2
40	HINGE LOCK (ATTACHING PARTS)	2		2
41	SCREW, TAPPING, PAN HEAD, PUZI, NC. 6-32, 0.375 IN.	2		2
42	WASHER, FLAT, NC. 6	2		2
43	FRAME, UPPER VERTICAL (ATTACHING PARTS)	2		2
44	STRIKER (ATTACHING PARTS)	1		1
45	SCREW, TAPPING, PAN HEAD, PUZI, NC. 6-32, 0.375 IN.	1		1
46	PHACKET, HINGE (ATTACHING PARTS)	2		2
47	SCREW, TAPPING, PAN HEAD, PUZI, NC. 6-32, 0.375 IN.	1		1

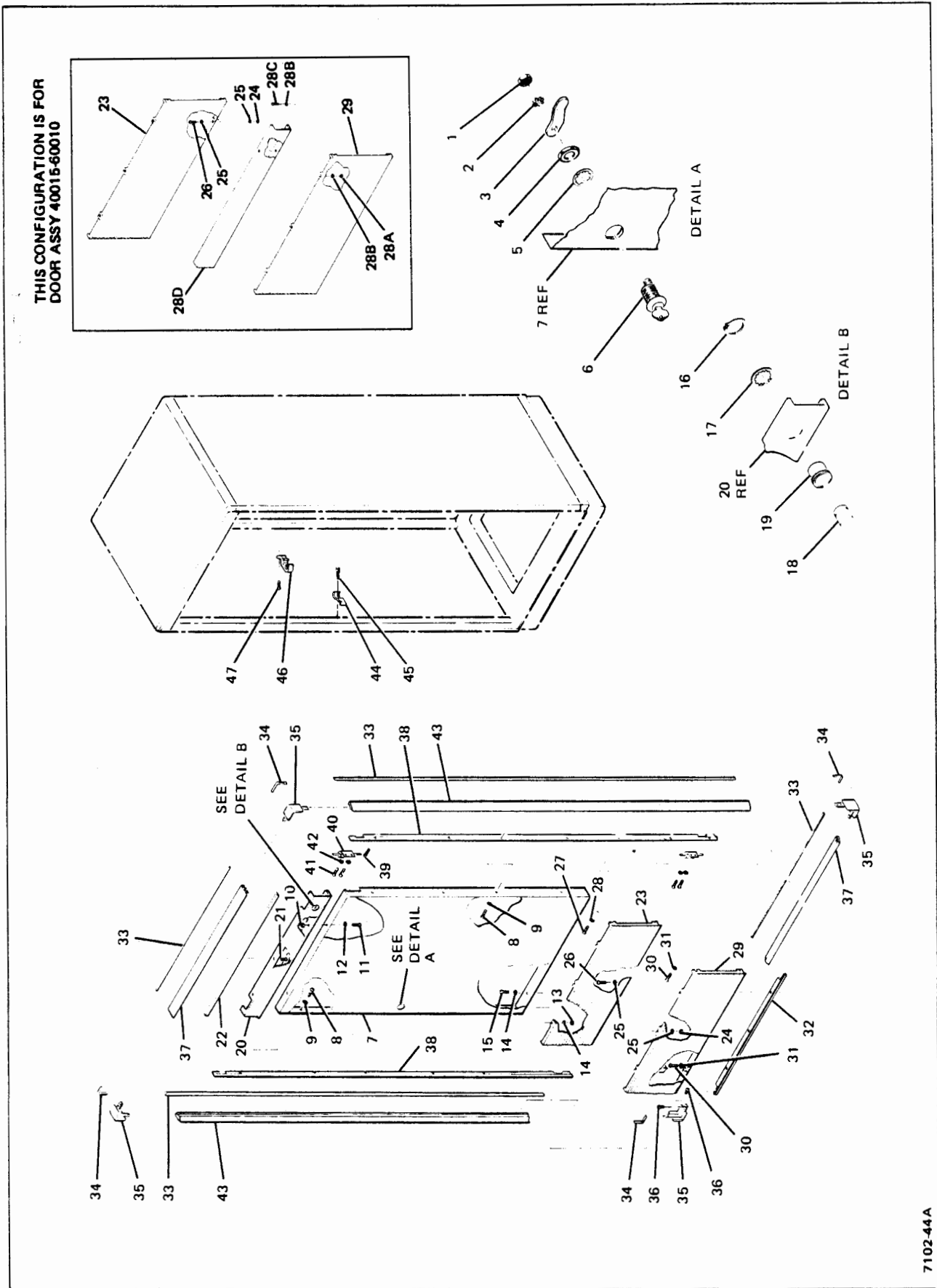


Figure 3. Door Assemblies (40015-60009, 40015-60110, and 40015-60111) Exploded View

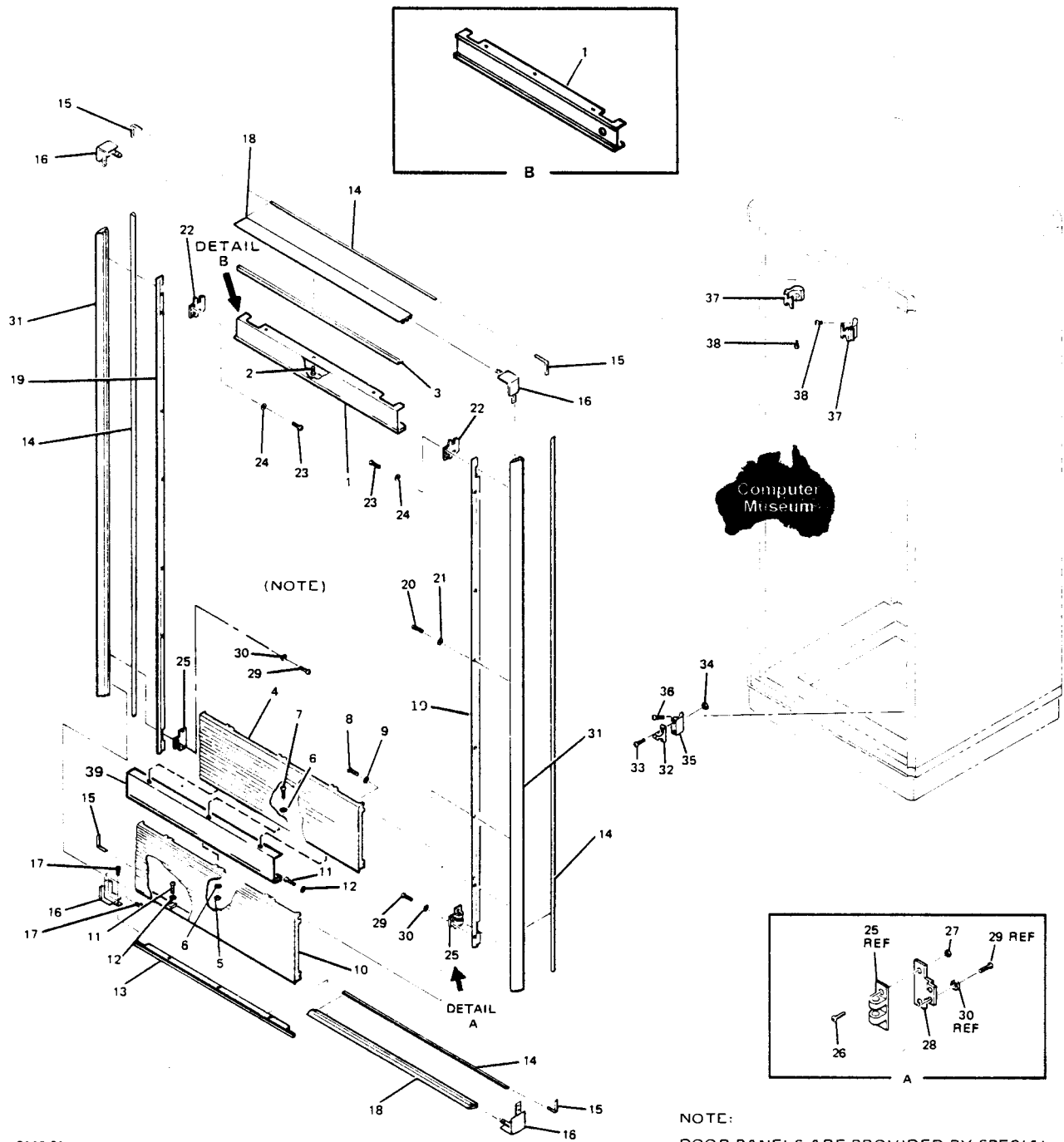
7102-44A

Table 4. Door Assemblies (40016-60101, 40016-60103, and 40016-60104) Replaceable Parts

FIG #:	INDEX:HP	PART NO	DESCRIPTION	MFR	MFR PART NO	PER	ITEMS:
:	NO	:	:	CODE	:	ASSY	:
4-							
		40016-60101	DOOR ASSEMBLY	28480	40016-60101		
		40016-60103	DOOR ASSEMBLY	28480	40016-60103		
		40016-60104	DOOR ASSEMBLY	28480	40016-60104		
1		40015-00010	* PANEL, DOOR TRIM (NOT USED ON 40016-60104)	28480	40015-00010		1
		40015-00017	* PANEL, DOOR TRIM (USED ON 40016-60104)	28480	40015-00017		1
			(ATTACHING PARTS)				
2		0624-0078	* SCREW, TAPPING, PAN HEAD, POZI, NO. 6-32, 0.375 IN.	00000	OBD		3
			--- X ---				
3		40C15-20016	* FRAME, INNER, HORIZONTAL, UPPER	28480	40015-20016		1
4		40015-40005	* GRILL, UPPER (USED ON DOOR ASSEMBLY 40016-60101)	28480	40015-40005		1
		40015-40004	* GRILL, UPPER (USED ON DOOR ASSEMBLY 40016-60103)	28480	40015-40004		1
			(ATTACHING PARTS)				
5		2420-0001	* NUT, HEX, NO. 6-32, 0.312 IN.	00000	OBD		3
6		3050-0228	* WASHER, FLAT, NO. 6	00000	OBD		6
7		2360-0199	* SCREW, MACHINE, PAN HEAD, POZI, NO. 6-32, 0.438 IN.	00000	OBD		3
8		0621-0078	* SCREW, TAPPING, PAN HEAD, POZI, NO. 6-32, 0.375 IN.	00000	OBD		4
9		3050-0228	* WASHER, FLAT, NO. 6	00000	OBD		4
			--- X ---				
10		40015-40005	* GRILL, LOWER (USED ON DOOR ASSEMBLY 40016-60101)	28480	40015-40005		1
		40015-40004	* GRILL, LOWER (USED ON DOOR ASSEMBLY 40016-60103)	28480	40015-40004		1
			(ATTACHING PARTS)				
11		0624-0078	* SCREW, TAPPING, PAN HEAD, POZI, NO. 6-32, 0.375 IN.	00000	OBD		7
12		3050-0228	* WASHER, FLAT, NO. 6	00000	OBD		7
			--- X ---				
13		40015-20016	* FRAME, INNER HORIZONTAL, LOWER	28480	40015-20016		1
14		4320-0284	* EXTRUSION, DOOR, 13 FEET	28480	4320-0284		1
15		4330-0788	* MOLDING, CORNER, RUBBER	28480	4330-0788		4
16		40015-20013	* CASTING, CORNER	28480	40015-20013		4
			(ATTACHING PARTS)				
17		0624-0073	* SCREW, TAPPING, PAN HEAD, POZI, NO. 6-32, 0.375 IN.	00000	OBD		4
			--- X ---				
18		40015-20006	* FRAME, OUTER HORIZONTAL	28480	40015-20006		2
19		40015-20015	* FRAME, INNER VERTICAL	28480	40015-20015		2
			(ATTACHING PARTS)				
20		0624-0282	* SCREW, TAPPING, PAN HEAD, POZI, NO. 6-32, 0.312 IN.	00000	OBD		5
21		3050-0228	* WASHER, FLAT, NO. 6	00000	OBD		5
			--- X ---				
22		40016-00002	* HANGER, DOOR MOUNTING	28480	40016-00002		22
			(ATTACHING PARTS)				
23		0624-0078	* SCREW, TAPPING, PAN HEAD, POZI, NO. 6-32, 0.375 IN.	00000	OBD		2
24		3050-0228	* WASHER, FLAT, NO. 6	00000	OBD		2
			--- X ---				
25		1390-0342	* LATCH, FRICTION	28480	1390-0342		2
			(ATTACHING PARTS)				
26		2200-0166	* SCREW, MACHINE, FLAT HEAD, POZI, NO. 4-40 0.438 IN.	00000	OBD		2
27		2260-0009	* NUT, HEX, NO. 4-40, 0.25 IN.	00000	OBD		2
			--- X ---				

Table 4. Door Assemblies (40016-60101, 40016-60103, and 40016-60104)
Replaceable Parts (Continued)

FIG. 4: INDEX: MP NO	MP PART NO	DESCRIPTION	MFR CODE	MFR PART NO	ITEMS: PEP ASSY
4	2840015-00007	* BRACKET, DOOR LATCH (ATTACHING PARTS)	284R0	40015-00007	7
29	0624-0216	* SCREW, TAPPING, PAN HEAD, POZI, NO. 6-32, 0.312 IN.	00000	ORD	2
30	3050-0228	* WASHER, FLAT, NO. 6	00000	ORD	2
31	40015-20005	* FRAME, OUTER VERTICAL LATCH, FRICTION (ATTACHING PARTS)	284R0	40015-20005	2
32	1390-0142	* LATCH, FRICTION	284R0	1390-0142	2
33	2200-0166	* SCREW, MACHINE, FLAT HEAD, POZI, NO. 4-40 0.438 IN.	00000	ORD	2
34	2260-0009	* NUT, HEX, NO. 4-40, 0.25 IN.	00000	ORD	2
35	40015-20012	* BRACKET, CABINET LATCH (ATTACHING PARTS)	284R0	40015-20012	7
36	0624-0216	* SCREW, TAPPING, PAN HEAD, POZI, NO. 8-32, 0.375 IN.	00000	ORD	1
37	40015-20002	* BRACKET, DOOR HANGING (ATTACHING PARTS)	284R0	40015-20002	2
38	0624-0216	* SCREW, TAPPING, PAN HEAD, POZI, NO. 8-32, 0.375 IN.	00000	ORD	1
39	40015-00029	* PANEL, DOOR, 27 IN. (USED ON 40016-60004) (ATTACHING PARTS)	28480	40015-00029	1
	2360-0199	* SCREW, MACHINE, PAN HEAD, POZI, NO. 6-32, 0.438 IN.	00000	ORD	6
	3050-0228	* WASHER, FLAT, NO. 6	00000	ORD	12
	2420-0002	* NUT, HEX, NO. 6-32, 0.312 IN.	00000	ORD	6
40	40016-00017	* PANEL, DOOR, 43.5 IN. (USED ON 40016-60004) (ATTACHING PARTS)	28480	40016-00017	1
	0624-0078	* SCREW, TAPPING, PAN HEAD, POZI, NO. 6-32, 0.375 IN.	00000	ORD	6
	3050-0228	* WASHER, FLAT, NO. 6	00000	ORD	14
	2420-0002	* NUT, HEX, NO. 6-32, 0.312 IN.	00000	ORD	5
	2360-0197	* SCREW, MACHINE, PAN HEAD, POZI, NO. 6-32, 0.312 IN.	00000	ORD	2
	2360-0199	* SCREW, MACHINE, PAN HEAD, POZI, NO. 6-32, 0.438 IN.	00000	ORD	3



7102-51

Figure 4. Door Assemblies (40016-60101, 40016-60103, and 40016-60104) Exploded View

Table 5. Reference Designations and Abbreviations

REFERENCE DESIGNATIONS		
A = assembly	K = relay	TB = terminal board
B = motor, synchro	L = inductor	TP = test point
BT = battery	M = meter	U = integrated circuit, non-repairable assembly
C = capacitor	P = plug connector	V = vacuum tube, photocell, etc.
CB = circuit breaker	Q = semiconductor device other than diode or integrated circuit	VR = voltage regulator
CR = diode	R = resistor	W = jumper wire
DL = delay line	RT = thermistor	X = socket
DS = indicator	S = switch	Y = crystal
E = Misc electrical parts	T = transformer	Z = tuned cavity, network
F = fuse		
FL = filter		
J = receptacle connector		
ABBREVIATIONS		
A = amperes	gra = gray	PCA = printed-circuit assembly
ac = alternating current	grn = green	PWB = printed-wiring board
Ag = silver	H = henries	phh = phillips head
Al = aluminum	Hg = mercury	pk = peak
ar = as required	hr = hour(s)	p-p = peak-to-peak
adj = adjust	Hz = hertz	pt = point
assy = assembly	hdw = hardware	prv = peak inverse voltage
b = base	hex = hexagon, hexagonal	PNP = positive-negative-positive
bp = bandpass	ID = inside diameter	pwv = peak working voltage
bpi = bits per inch	IF = intermediate frequency	porc = porcelain
blk = black	in. = inch, inches	posn = position(s)
blu = blue	I/O = input/output	pozi = pozidrive
brn = brown	int = internal	rf = radio frequency
brs = brass	incl = include(s)	rdh = round head
Btu = British thermal unit	insul = insulation, insulated	rms = root-mean-square
Be Cu = beryllium copper	impgrg = impregnated	rww = reverse working voltage
spi = characters per inch	incand = incandescent	rect = rectifier
coll = collector	ips = inches per second	r/min = revolutions per minute
cw = clockwise	k = kilo (10^3), kilohm	RTL = resistor-transistor logic
ccw = counterclockwise	lp = low pass	s = second
cer = ceramic	m = milli (10^{-3})	SB, TT = slow blow
com = common	M = mega (10^6), megohm	Se = selenium
crt = cathode-ray tube	My = Mylar	Si = silicon
CTL = complementary-transistor logic	mfr = manufacturer	scr = silicon controlled rectifier
cath = cathode	mom = momentary	sst = stainless steel
Cd pl = cadmium plate	mtg = mounting	stl = steel
comp = composition	misc = miscellaneous	spcl = special
conn = connector	met. ox. = metal oxide	spdt = single-pole, double-throw
compl = complete	mintr = miniature	spst = single-pole, single-throw
dc = direct current	n = nano (10^{-9})	Ta = tantalum
dr = drive	nc = normally closed or no connection	td = time delay
DTL = diode-transistor logic	Ne = neon	Ti = titanium
depc = deposited carbon	no. = number	tgl = toggle
dpdt = double-pole, double-throw	n.o. = normally open	thrd = thread
dpst = double-pole, single-throw	np = nickel plated	tol = tolerance
em = emitter	NPN = negative positive-negative	TTL = transistor transistor logic
ECL = emitter-coupled logic	NPO = negative-positive zero (zero temperature coefficient)	U(μ) = micro (10^{-6})
ext = external	NSR = not separately replaceable	V = volt(s)
encap = encapsulated	NRFR = not recommended for field replacement	var = variable
elctlt = electrolytic	OD = outside diameter	vio = violet
F = farads	OBD = order by description	Vdcw = direct current working volts
FF = flip-flop	orn = orange	W = watts
flh = flat head	ovh = oval head	ww = wirewound
flm = film	oxd = oxide	wht = white
fxd = fixed	p = pico (10^{-12})	WIV = working inverse voltage
filh = fillister head	PC = printed circuit	yel = yellow
G = giga (10^9)		
Ge = germanium		
gl = glass		
gnd = ground(ed)		

Table 6. Code List of Manufacturers

The following code numbers are from the Federal Supply Code for Manufacturers Cataloging Handbooks H4-1 and H4-2, and the latest supplements					
CODE NO.	MANUFACTURER	ADDRESS	CODE NO.	MANUFACTURER	ADDRESS
'8480	Hewlett-Packard Company	Palo Alto, Calif			

HEWLETT PACKARD

SALES & SERVICE OFFICES

AFRICA, ASIA, AUSTRALIA

ANGOLA
Telectra
Empresa Técnica de Equipamentos
E. Barboza Rodrigues, 42-1 DT
Caixa Postal 6487
Luanda
Tel: 35515-6
Cable: TELECTRA Luanda

AUSTRALIA
Hewlett-Packard Australia
Phy. Ltd.
3141 Joseph Street
Blackburn, Victoria 3130
P.O. Box 36
Doncaster East, Victoria 3109
Tel: 89-9351
Telex: 31-024
Cable: HEWPACK Melbourne
Hewlett-Packard Australia
Phy. Ltd.
31 Bridge Street
Pymble, New South Wales, 2073
Tel: 449-6566
Telex: 21561
Cable: HEWPACK Sydney
Hewlett-Packard Australia
Phy. Ltd.
153 Greenhill Road
Parkside, S.A. 5063
Tel: 272-5911
Telex: 82536
Cable: HEWPACK Adelaide
Hewlett-Packard Australia
Phy. Ltd.
141 Stirling Highway
Nedlands, W.A. 6009
Tel: 86-5455
Telex: 93859
Cable: HEWPACK Perth
Hewlett-Packard Australia
Phy. Ltd.
121 Wollongong Street
Fyshwick, A.C.T. 2609
Tel: 95-2733
Telex: 52650
Cable: HEWPACK Canberra
Hewlett-Packard Australia
Phy. Ltd.
5th Floor
Teachers Union Building
495-499 Boundary Street
Spring Hill, 4000 Queensland
Tel: 229-1544
Cable: HEWPACK Brisbane

GUAM
Medical Personal Calculators Only
Guam Medical Supply, Inc.
249 Este Building, Room 210
P.O. Box 8947
Tamuning 96911
Tel: 846-4513
Cable: EARMED Guam

HONG KONG
Schmidt & Co (Hong Kong) Ltd.
P.O. Box 297
Connaught Centre,
39th Floor
Connaught Road, Central
Hong Kong
Tel: H-25291-5
Telex: 74766 SCHMC HK
Cable: SCHMIDTGO Hong Kong

INDIA
Blue Star Ltd.
Kasturi Buildings
Jamshed Tata Rd
Bombay 400 020
Tel: 29 50 21
Telex: 011-2156
Cable: BLUESTAR
Blue Star Ltd.
Sahas
414-2 Vir Savarkar Marg
Prabhadevi
Bombay 400 025
Tel: 45 78 87
Telex: 011-4093
Cable: FROSTBLUE
Blue Star Ltd.
Band Box House
Pragadevi
Bombay 400 025
Tel: 45 73 01
Telex: 011-3751
Cable: BLUESTAR
Blue Star Ltd.
7 Hare Street
P.O. Box 506
Calcutta 700 001
Tel: 23-0131
Telex: 021-7655
Cable: BLUESTAR
Blue Star Ltd.
Bhandari House
5th & 6th Floor
91 Nehru Place
New Delhi 110 024
Tel: 634770 & 635166
Telex: 031-2463
Cable: BLUESTAR
Blue Star Ltd.
Blue Star House
11-11A Magarath Road
Bangalore 560 025
Tel: 043-430
Cable: BLUESTAR
Blue Star Ltd.
Meesakshi Mandram
10691 Snelbridge Way
Cochin 682 016
Tel: 32069, 32161, 32282
Telex: 0885-514
Cable: BLUESTAR

INDONESIA
BERCA Indonesia P.T.
P.O. Box 496/Jkt
Jin Abdul Muis 62
Jakarta
Tel: 40369, 49686, 49255, 356038
Telex: JKT 42895
Cable: BERCAON
BERCA Indonesia P.T.
P.O. Box 174/Sby
Sudanmuksu, Tokyo 168
Surabaya
Tel: 42027
Cable: BERCAON

ISRAEL
Electronics Engineering Div.
of Motorola Israel Ltd.
16 Kramessia Street
P.O. Box 25016
Tel-Aviv
Tel: 38973
Telex: 33569
Cable: BASTEL Tel-Aviv

JAPAN
Yokogawa-Hewlett-Packard Ltd.
Chuo Bldg., 4th Floor
4-20, Nishinakama 5-chome
Yokogawa-ku, Osaka-shi
Osaka 532
Tel: 06-304-6021
Telex: 523-3624
Yokogawa-Hewlett-Packard Ltd.
29-21, Takaido-Higashi 3-chome
Suzumamuku, Tokyo 168
Tel: 03-331-6111
Telex: 232-2024 YHP-Tokyo
Cable: YHPMARKET TOK 23 724
Yokogawa-Hewlett-Packard Ltd.
Nakamo Building
24 Kami Sasama-cho
Nakamura-ku, Nagoya 450
Tel: 052 571-5171
Yokogawa-Hewlett-Packard Ltd.
Tangaya Building
2-24-1, Tsuway-cho
Kanagawa-ku
Yokohama, 221
Tel: 045-312-1252
Telex: 382-3204 YHP YOK

KENYA
Technical Engineering
Services (E.A.) Ltd.
Nairobi
Tel: 55679/556680/55726
Telex: 22629
Cable: PROTON
Medical Only
International Aeradio (E.A.) Ltd.
Nairobi Airport
Nairobi
Tel: 336055/56
Telex: 22201/22301
Cable: INTAERIO Nairobi

KOREA
Samsung Electronics Co. Ltd.
15th Floor, Daeyong Bldg.,
25-5, 1-AA
Chongno Moo-Ro, Chung-Ku,
Seoul
Tel: (23) 6811 778-3401/2/3/4
Telex: 22575
Cable: ELEKSTAR Seoul

MALAYSIA
Teknik Mutu Sdn. Bhd.
No. 2, Lorong 13/6A
Seccion 13
Petaling Jaya, Selangor
Tel: 54994/5498
Telex: MA 37605
Protel Engineering
P.O. Box 917
Lot 259, Satok Road
Kuching, Sarawak
Tel: 53544
Cable: PROTELENG

MOZAMBIQUE
A. N. Goncalves, Ltd.
162, 1st Apt. 14 Av. D. Luis
Casa Postal 107
Maputo
Tel: 27091, 27114
Telex: 6-203 NEGON Mo
Cable: NEGON

NEW ZEALAND
Hewlett-Packard (N.Z.) Ltd.
Wellington
4-12 Cruckshank Street
Kilbirnie, Wellington 3
P.O. Box 9443
Courtney Place
Wellington
Tel: 877-199
Cable: HEWPACK Wellington
Hewlett-Packard (N.Z.) Ltd.
Pakuranga Professional Centre
257 Pakuranga Highway
Box 51092
Pakuranga
Tel: 569-651
Cable: HEWPACK Auckland
Analytical/Medical Only
Medical Supplies N.Z. Ltd.
Scientific Division
79 Carlton Gore Road, Newmarket
P.O. Box 1234
Auckland
Tel: 75-289
Cable: ONENTAL Auckland
Private Bag
Norme and Parumoana Streets
Porirua
Tel: 75-098
Telex: 3858
Analytical/Medical Only
Medical Supplies N.Z. Ltd.
P.O. Box 309
239 Stanmore Road
Christchurch
Tel: 892-019
Cable: DENTAL Christchurch
Analytical/Medical Only
Medical Supplies N.Z. Ltd.
Alexandra P.O. Box 58
303 Great King Street
P.O. Box 2335
Dunedin
Tel: 88-817
Cable: ONENTAL Dunedin

NIIGERIA
The Electronics
Instrumentations Ltd.
N68/770 Oyo Road
Duseun House
P.M. 9, 5402
Ibadan
Tel: 61577
Telex: 31231 TEIL Nigeria
Cable: THETEL Ibadan

PAKISTAN
Musko & Company Ltd.
Osman Chambers
Abdullah Haroon Road
Karachi-3
Tel: 511027 512927
Telex: 2894
Cable: COOPERATOR Karachi
Musko & Company Ltd.
38B, Satehite Town
Rawalpindi
Tel: 41924
Cable: FEMUS Rawalpindi

PHILIPPINES
The Online Advanced
Systems Corporation
Rico House
Amorsolo cor. Herrera Str.
Legaspi Village, Makati
P.O. Box 1510
Metro Manila
Tel: 85-35-81, 85-34-91, 85-32-21
Telex: 3274 ONLINE

RHODESIA
Field Technical Sales
45 Kelvin Road North
P.O. Box 3458
Salisbury
Tel: 705231 (5 lines)
Telex: RH 4122

SINGAPORE
Hewlett-Packard Singapore
(Pte.) Ltd.
1150 Depot Road
Alexandra P.O. Box 58
Singapore 4
Tel: 770-2355
Cable: HP5G RS 21486
Cable: HEWPACK Singapore

SOUTH AFRICA
Hewlett-Packard South Africa
(Pty.) Ltd.
Private Bag, Weymouthwood,
Sandton, Transvaal 2144
Hewlett-Packard Centre
Capitec Street, Weymouthwood,
Sandton 2144
Tel: 802-1040/8
Telex: 8-4782
Cable: HEWPACK Johannesburg

Hewlett-Packard South Africa
(Pty.) Ltd.
P.O. Box 120
Howard Place, Cape Province 7450
Pine Park Centre, Forest Drive
Pinelands, Cape Province 7405
Tel: 53-7955, 4-9
Telex: 57-0006

TAIWAN
Hewlett-Packard Far East Ltd.
Taiwan Branch
39 Chung Hsiao West Road
Section 1, 7th Floor
Taipei
Tel: 3819160-4, 3141010, 3715121
Ext. 270-279
Cable: HEWPACK TAIPEI
Hewlett-Packard Far East Ltd.
Taiwan Branch
88-2 Chung Cheng 3rd Road
Kaohsiung
Tel: (07) 242318-Kaohsiung
Analytical Only
San Kwang Instruments Co. Ltd.
20 Yung Sui Road
Taipei
Tel: 371507-4 (5 lines)
Telex: 22894 SANKWANG
Cable: SANKWANG Taipei

TANZANIA
Medical Only
International Aeradio (E.A.) Ltd.
P.O. Box 861
Dar es Salaam
Tel: 21251 Ext. 265
Telex: 41030

THAILAND
UNIMESA Co. Ltd.
Eicom Research Building
2538 Sukumvit Ave
Bangchak, Bangkok
Tel: 3932387, 3930338
Cable: UNIMESA Bangkok

UGANDA
Medical Only
International Aeradio (E.A.) Ltd.
P.O. Box 2577
Kampala
Tel: 54388
Cable: INTAERIO Kampala

ZAMBIA
R. J. Tibury (Zambia) Ltd.
P.O. Box 2792
Lusaka
Tel: 73793
Cable: ARJAYTEE, Lusaka

CANADA

ALBERTA
Hewlett-Packard (Canada) Ltd.
11820A - 168th Street
Edmonton T5M 3T9
Tel: (403) 452-3670
TWX 610-831-2431

HEWLETT-PACKARD (CANADA) LTD.
2150 Finesse St. S.E.
Calgary T2H 2H8
Tel: (403) 253-2713
TWX 910-821-6141

BRITISH COLUMBIA
Hewlett-Packard (Canada) Ltd.
10691 Snelbridge Way
Richmond V6X 2W7
Tel: (604) 270-2277
TWX 610-925-5059

MANITOBA
Hewlett-Packard (Canada) Ltd.
380-550 Century St.
Winnipeg R3M 0Y1
Tel: (204) 786-6701
TWX 610-671-3531

NOVA SCOTIA
Hewlett-Packard (Canada) Ltd.
300 Windmill Road
Dartmouth NSB 1L1
Tel: (902) 469-7820
TWX 610-271-4482 HFX

ONTARIO
Hewlett-Packard (Canada) Ltd.
1020 Morrison Dr.
Ottawa K2H 8K7
Tel: (613) 820-6483
TWX 610-633-1636

HEWLETT-PACKARD (CANADA) LTD.
Medical 23, O.F.
Tel: 905-676-4500
Telex: 017-74-5607
Hewlett-Packard Mexicana,
S.A. de C.V.
Av. Panamericano Sur No. 6501
Tepicpan, Xochimilco
Mexico 23, O.F.
Tel: 905-676-4500
Telex: 017-74-5607
Hewlett-Packard Mexicana,
S.A. de C.V.
Ave. Constitución No. 2184
Monterrey N.L.
Tel: 48-71-32, 48-71-84
Telex: 038-410

QUEBEC
Hewlett-Packard (Canada) Ltd.
275 Hyman Blvd.
P.O. Box 145
St. Jean, Quebec H8R 1G7
Tel: (514) 697-4232
TWX 610-422-3022
TLX 05-821521 HPCL

FOR CANADIAN AREAS NOT LISTED:
CONTACT HEWPACK (Canada)
Ltd. in Mississauga

CENTRAL AND SOUTH AMERICA

ARGENTINA
Hewlett-Packard Argentina
S.A.
Av. Leandro N. Alem 822 - 12°
1001 Buenos Aires
Tel: 31-6063, 4 5 6
Telex: 12243 AR DIGY
Cable: HEWPACKARG
Bosch S.A. C y M
Bosch 177
1066 Buenos Aires
Tel: 30-4846 34-8356 34-0460
Telex: 17595

BOLIVIA
Casa Kavlin S.A.
Calle Potosí 1130
P.O. Box 500
La Paz
Tel: 41530 53221
Telex: CWC BX 5298 ITT 3560082
Cable: KAVLIN

BRAZIL
Hewlett-Packard do Brasil
I.E.C. Ltda.
Alameda Rio Negro 750
Alphaville
06400 Barueri SP
Tel: 4230-3222
Cable: HEWPACK Sao Paulo

Hewlett-Packard do Brasil
I.E.C. Ltda.
Rua Padre Chagas, 32
90000 Porto Alegre-RS
Tel: (051) 22-2968, 22-5621
Cable: HEWPACK Porto Alegre
Hewlett-Packard do Brasil
I.E.C. Ltda.
Rua Siqueira Campos, 53
Conj. 2000
20000 Rio de Janeiro-RJ
Tel: 257-80-34-000 (021)
Telex: 39-212-1905 HEWP-BR
Cable: HEWPACK
Rio de Janeiro

CHILE
Cicagnini y Mercante Ltda.
Alameda 580-01 807
Casilla 2118
Santiago, 1
Tel: 398613
Telex: 3520001 CALMET
Cable: CALMET Santiago

COLOMBIA
Instrumentación
Henrik A. Langobæk & Kier S.A.
Carrera 7 No. 48-75
Apartado Aéreo 9287
Bogotá, D.E.
Tel: 69-88-77
Telex: 044-400
Cable: AARIS Bogotá
Instrumentación
H.A. Langobæk & Kier S.A.
Apartado Aéreo 54098
Medellín
Tel: 304475

COSTA RICA
Ciencia, Costarricense S.A.
Avenida 2, Calle 5
San Pedro de Montes de Oca
Apartado 10159
San José
Tel: 24-38-20, 24-08-19
Telex: 23687 GALGUR CR
Cable: GALGUR

ECUADOR
Computadoras y Equipos
Electrónicos
P.O. Box 6423 CCI
Eloy Alfaro No. 1824, 3° Piso
Quito
Tel: 453 482
Telex: 2548 CVEDE ED
Cable: SAGUI-Quito
Medical Only
Hospital S.A.
Casilla 3590
Rojales 625
Quito
Tel: 45-250
Cable: Hospital-Quito

EL SALVADOR
Instrumentación y Procesamiento
Electrónico de El Salvador
Bulevar de los Héroes 11-48
San Salvador
Tel: 252787

PANAMA
Electrónica Baiboa S.A.
P.O. Box 4929
Calle Samuel Lewis
Ciudad de Panama
Tel: 64-2700
Telex: 3485126 Curundo,
Canal Zone
Cable: ELECTRON Panama

MEXICO
Hewlett-Packard Mexicana,
S.A. de C.V.
Av. Panamericano Sur No. 6501
Tepicpan, Xochimilco
Mexico 23, O.F.
Tel: 905-676-4500
Telex: 017-74-5607
Hewlett-Packard Mexicana,
S.A. de C.V.
Ave. Constitución No. 2184
Monterrey N.L.
Tel: 48-71-32, 48-71-84
Telex: 038-410

NICARAGUA
Roberto Terán G.
Apartado Postal 689
Edificio Terán
Managua
Tel: 25114, 23412, 23454, 22400
Cable: ROTERAN Managua

PANAMA
Electrónica Baiboa S.A.
P.O. Box 4929
Calle Samuel Lewis
Ciudad de Panama
Tel: 64-2700
Telex: 3485126 Curundo,
Canal Zone
Cable: ELECTRON Panama

PERU
Compañía Electro Médica S.A.
Los Flamencos 145
San Isidro Casilla 1030
Lima 1
Tel: 41-4325
Telex: Pub. Booth 25424 SISIORO
Cable: ELMEO Lima

URUGUAY
Pablo Ferrando S.A.
Comercial e Industrial
Avenida Italia 2877
Casilla de Correo 370
Montevideo
Tel: 40-3102
Telex: 702 PUBLIC BOOTH PARA
PABLO FERRANDO TELEFONO
40-31-02
Cable: RADIUM Montevideo

VENEZUELA
Hewlett-Packard de Venezuela
P.O. Box 50933
Caracas 105
Los Ruyces Norte
3a Transversal
Edificio Segre
Caracas 107
Tel: 35-00-11 (20 lines)
Telex: 25146 HEWPACK
Cable: HEWPACK Caracas

FOR AREAS NOT LISTED, CONTACT:
Hewlett-Packard
Inter-Americas
3200 Hillview Ave.
Palo Alto, California 94304
Tel: (415) 856-1501
TWX 910-373-1267
Cable: HEWPACK Palo Alto
Tel: 034-8300, 034-8493

EUROPE, NORTH AFRICA AND MIDDLE EAST

AUSTRIA

HeWlett-Packard Ges m B H
Hofstaedlstr 52
P.O. Box 7
1120 Vienna
Tel: (43) 1 47 51 29
Telex: 15927 HWPWA A

BELGIUM

HeWlett-Packard denux
S.A. N.V.
Avenue du Colonel
G. Drenthstraat
B-1110 Brussel
Tel: (32) 2 560 1041-672-2240
Cable: PALOEN BRU
Telex: 33 444 caobem brs

CYPRUS

Kyprionics
19 Gregorios Xenopoulos Street
P.O. Box 1152
Nicosia
Tel: (358) 29
Cable: Kyprionics Pafos
Telex: 3018

CZECHOSLOVAKIA

Vývojeva a Provozní Závody
Výzkumný Ústav v Bechovicích
ČSSR 25291 Bechovice u Prahy
Tel: 39 93 41
Telex: 121333

Institute of Medical Biophysics

Vskumny Ústav Lékařské Biologie
Jedlova 5
CS-83446
Bratislava-Kramare
Tel: 4251
Telex: 93229

DDR

Entwicklungsabw der TU Dresden
Forschungsinstitut Meinsberg
DDR-7305
Waldheim-Meinsberg
Tel: 37 567
Telex: 518741

Export Contact AG Zurich

Guenther Forger
Schlegelstrasse 15
1040 Berlin
Tel: 42 74 12
Telex: 111889

DENMARK

HeWlett-Packard A/S
Datavej 52
DK-3460 Birkerød
MTA
Cable: HEWPAK AS
Telex: 37 409 hpaas dk
HeWlett-Packard A/S
Navevej
DK-8600 Silkeborg
Tel: (46) 82 71 66
Cable: 37 409 hpaas dk
Cable: HEWPAK AS

EGYPT

I.E.A.
International Engineering Associates
24 Hussein Hegazi Street
Kasr-el-Ain
Cairo
Tel: 23 829
Telex: 2067
Cable: INTENGASSO
Mohamed Sami Amin
Sam Amin Trading Office
16 Abdel Aziz Gawah
Abdine-Cairo
Tel: 34932
Cable: SAMITRIP CAIRO

FINLAND

HeWlett-Packard Oy
Nahkuruntie 5
P.O. Box 5
00021 Helsinki 21
Tel: (90) 6923031
Cable: HEWPAKDY Helsinki
Telex: 12 1563 HWPWA SF

FRANCE

HeWlett-Packard France
Quartier de Courcouronnes
Boite Postale No. 6
F-91401 Orsay Cedex
Tel: (33) 1 907 75 25
Cable: HEWPAK Orsay
Telex: 600048
HeWlett-Packard France
Bureau de vente de Lyon
Le Saquin
Chemin des Mouilles
B.P. 192
F-69130 Ecullay Cedex
Tel: (33) 781 33 81 25
Cable: HEWPAK Ecullay
Telex: 31 06 17

HeWlett-Packard France

Bureau de vente de Toulouse
Pericentre de la Cépre
Chemin de la Cépre 20
F-31300 Toulouse-Le Mirail
Tel: (81) 40 11 12
Cable: HEWPAK 51957
Telex: 510957
HeWlett-Packard France
Le Ligoures
Bureau de vente de Marseilles
Place Route de Villeneuve
F-13100 Aix-en-Provence
Tel: (42) 59 41 02
Cable: HEWPAK MARGN
Telex: 410770
HeWlett-Packard France
Bureau de vente de Rennes
2 Allée de la Bourgonette
F-35100 Rennes Cedex
Tel: (39) 51 42 44
Cable: HEWPAK 74912
Telex: 740912

HeWlett-Packard France

Bureau de vente de Strasbourg
18 rue du Canal de la Marne
F-67300 Schlingheim
Tel: (33) 88 38 1083 11 53
Telex: 82814
Cable: HEWPAK STRBG
HeWlett-Packard France
Bureau de vente de Lille
mimulieu Péncentre
Rue des Gones
F-59650 Villeneuve d'Ascq
Tel: (20) 91 41 25
Telex: 16 01 24F

HeWlett-Packard France

Bureau de vente de Paris-Nord
Bâtiment Ampère
Rue de la Commune de Paris
B.P. 100
F-93153 La Blanc Mesnil Cedex
Tel: (31) 931 88 50
HeWlett-Packard France
Bureau de vente de Bordeaux
Avenue du Prof. Kennedy
F-33700 Mérignac
Tel: (56) 97 22 69
GERMAN FEDERAL REPUBLIC
HeWlett-Packard GmbH
Verteilungszentrale Frankfurt
Berner Strasse 117
Postfach 560 140
D-6000 Frankfurt 56
Tel: (061) 50-04
Cable: HEWPAKSA Frankfurt
Telex: 04 13249 hpfm d
HeWlett-Packard GmbH
Technisches Büro Boblingen
Herrenberger Strasse 110
D-7030 Boblingen, Württemberg
Tel: (0703) 667-1
Cable: HEWPAK Boblingen
Telex: 07265739 bbn

HeWlett-Packard GmbH

Technisches Büro Düsseldorf
Emanuel-Lueke-Str. 11 (Seestrasse)
D-4000 Düsseldorf
Tel: (0211) 59711
Telex: 985 86 533 hppd d

GERMAN FEDERAL REPUBLIC

HeWlett-Packard GmbH
Bernar Strasse 117
Postfach 560 140
D-6000 Frankfurt 56
Tel: (061) 50-04
Cable: HEWPAKSA Frankfurt
Telex: 04 13249 hpfm d
HeWlett-Packard GmbH
Technisches Büro Boblingen
Herrenberger Strasse 110
D-7030 Boblingen, Württemberg
Tel: (0703) 667-1
Cable: HEWPAK Boblingen
Telex: 07265739 bbn

GERMAN FEDERAL REPUBLIC

HeWlett-Packard GmbH
Bernar Strasse 117
Postfach 560 140
D-6000 Frankfurt 56
Tel: (061) 50-04
Cable: HEWPAKSA Frankfurt
Telex: 04 13249 hpfm d

ITALY

HeWlett-Packard Italiana S.p.A.
Via Amerigo Vesputcio 2
Casella postale 3645
I-20124 Milano
Tel: (02) 6251 10 lines
Cable: HEWPAKITA Milano
Telex: 32046
HeWlett-Packard Italiana S.p.A.
Via Pellicci 9
I-35100 Padova
Tel: (049) 66 48 88
Telex: 41612 Hewpack
HeWlett-Packard Italiana S.p.A.
Via G. Armetini 10
I-00143 Roma
Tel: (06) 54 69 61
Telex: 51514
HeWlett-Packard Italiana S.p.A.
Via Principe Nicola 43 G/C
I-95126 Catania
Tel: (095) 37 05 04
HeWlett-Packard Italiana S.p.A.
Via Amerigo Vesputcio 9
I-80142 Napoli
Tel: (081) 33 77 11
Telex: 61 51 4 Via Rome
HeWlett-Packard Italiana S.p.A.
Via E. Mattei 9/B
I-40137 Bologna
Tel: (51) 30 78 87

JORDAN

Mouasher Cousins Co
P.O. Box 1387
Amman
Tel: 240739007
Cable: SARCO JD 1456
Cable: MOUASHERCO

KUWAIT

Al-Khadiya Trading & Contracting
P.O. Box 830-Salat
Kuwait
Tel: 42 491041 1726
Telex: 2481 Araqk kt
Cable: VISCOUNT

LUKSEMBURG

HeWlett-Packard Benelux S.A./N.V.
Avenue du Col-Vent 1
L-1700 Bruxelles
Tel: (02) 672 22 40
Cable: PALOEN Brussels
Telex: 23 494

MOROCCO

Oubou
81 rue Karaiten
Casablanca
Tel: 22 41 82/87
Telex: 2305122833
Cable: MATERIO
Garg
190 Blvd. Brahim Roudani
Casablanca
Tel: 25 16 7825 90 99
Telex: 23 739
Cable: GEREP-CASA
Coppier
2 Rue d'Agadir, B.P. 156
Casablanca
Tel: 27 65 40
Telex: 21 137
Cable: COGEDIR

NETHERLANDS

HeWlett-Packard Benelux N.V.
Van Heuven Goethorlaten 121
P.O. Box 667
NL-4006AA Willem II
Tel: (0734) 78 47 74
Telex: 847178
Cable: Hewpac London

NETHERLANDS

HeWlett-Packard Benelux N.V.
Van Heuven Goethorlaten 121
P.O. Box 667
NL-4006AA Willem II
Tel: (0734) 78 47 74
Telex: 847178
Cable: Hewpac London

NETHERLANDS

HeWlett-Packard Benelux N.V.
Van Heuven Goethorlaten 121
P.O. Box 667
NL-4006AA Willem II
Tel: (0734) 78 47 74
Telex: 847178
Cable: Hewpac London

NETHERLANDS

HeWlett-Packard Benelux N.V.
Van Heuven Goethorlaten 121
P.O. Box 667
NL-4006AA Willem II
Tel: (0734) 78 47 74
Telex: 847178
Cable: Hewpac London

NETHERLANDS

HeWlett-Packard Benelux N.V.
Van Heuven Goethorlaten 121
P.O. Box 667
NL-4006AA Willem II
Tel: (0734) 78 47 74
Telex: 847178
Cable: Hewpac London

NETHERLANDS

HeWlett-Packard Benelux N.V.
Van Heuven Goethorlaten 121
P.O. Box 667
NL-4006AA Willem II
Tel: (0734) 78 47 74
Telex: 847178
Cable: Hewpac London

NETHERLANDS

HeWlett-Packard Benelux N.V.
Van Heuven Goethorlaten 121
P.O. Box 667
NL-4006AA Willem II
Tel: (0734) 78 47 74
Telex: 847178
Cable: Hewpac London

NETHERLANDS

HeWlett-Packard Benelux N.V.
Van Heuven Goethorlaten 121
P.O. Box 667
NL-4006AA Willem II
Tel: (0734) 78 47 74
Telex: 847178
Cable: Hewpac London

NETHERLANDS

HeWlett-Packard Benelux N.V.
Van Heuven Goethorlaten 121
P.O. Box 667
NL-4006AA Willem II
Tel: (0734) 78 47 74
Telex: 847178
Cable: Hewpac London

NETHERLANDS

HeWlett-Packard Benelux N.V.
Van Heuven Goethorlaten 121
P.O. Box 667
NL-4006AA Willem II
Tel: (0734) 78 47 74
Telex: 847178
Cable: Hewpac London

NETHERLANDS

HeWlett-Packard Benelux N.V.
Van Heuven Goethorlaten 121
P.O. Box 667
NL-4006AA Willem II
Tel: (0734) 78 47 74
Telex: 847178
Cable: Hewpac London

NETHERLANDS

HeWlett-Packard Benelux N.V.
Van Heuven Goethorlaten 121
P.O. Box 667
NL-4006AA Willem II
Tel: (0734) 78 47 74
Telex: 847178
Cable: Hewpac London

POLAND

HeWlett-Packard A/S
Osterdalens 18
P.O. Box 34
N-1345 Oslo
Tel: (02) 171 80
Cable: HEWPAKITA Oslo
Telex: 16621 hpnas n

POLAND

Buro Informacji Technicznej
HeWlett-Packard
Ul. Szwajcarska 2, 6P
00 950 Warszawa
Tel: 31 26 88 39 67 43
Telex: 81 24 53 hcpa pl
UNIPAN
Buro Inzynier. Technicznej
Ul. 447 Warszawa
ul. Nowoteka 6
Poland
Zaklady Naprawcze Sprzetu
Medycznego
Plac Komuny Paryskiej 6
90-007 Lodz
Tel: 334 41 337-83
Telex: 886981

PORTUGAL

Electra-Engenharia Técnica de Equipamentos S.A. I
Rua Rodrigo da Fonseca 103
P.O. Box 2531
P-1149-014 Lisboa
Tel: (1) 58 60 72
Cable: ELECTRA LISBON
Telex: 12598
Medical only
Mundoimpo Mundial de Comercio
S.A. I
Avenida Antonio Augusto
de Aguiar 138
P.O. Box 5781
Lisbon
Tel: (1) 59 53 21 31-7
Telex: 16691 muntar p
Cable: INTERCAMBIO LISBON

ROMANIA

Electra-Engenharia Técnica de Equipamentos S.A. I
Rua Rodrigo da Fonseca 103
P.O. Box 2531
P-1149-014 Lisboa
Tel: (1) 58 60 72
Cable: ELECTRA LISBON
Telex: 12598
Medical only
Mundoimpo Mundial de Comercio
S.A. I
Avenida Antonio Augusto
de Aguiar 138
P.O. Box 5781
Lisbon
Tel: (1) 59 53 21 31-7
Telex: 16691 muntar p
Cable: INTERCAMBIO LISBON

ROMANIA

Electra-Engenharia Técnica de Equipamentos S.A. I
Rua Rodrigo da Fonseca 103
P.O. Box 2531
P-1149-014 Lisboa
Tel: (1) 58 60 72
Cable: ELECTRA LISBON
Telex: 12598
Medical only
Mundoimpo Mundial de Comercio
S.A. I
Avenida Antonio Augusto
de Aguiar 138
P.O. Box 5781
Lisbon
Tel: (1) 59 53 21 31-7
Telex: 16691 muntar p
Cable: INTERCAMBIO LISBON

ROMANIA

Electra-Engenharia Técnica de Equipamentos S.A. I
Rua Rodrigo da Fonseca 103
P.O. Box 2531
P-1149-014 Lisboa
Tel: (1) 58 60 72
Cable: ELECTRA LISBON
Telex: 12598
Medical only
Mundoimpo Mundial de Comercio
S.A. I
Avenida Antonio Augusto
de Aguiar 138
P.O. Box 5781
Lisbon
Tel: (1) 59 53 21 31-7
Telex: 16691 muntar p
Cable: INTERCAMBIO LISBON

ROMANIA

Electra-Engenharia Técnica de Equipamentos S.A. I
Rua Rodrigo da Fonseca 103
P.O. Box 2531
P-1149-014 Lisboa
Tel: (1) 58 60 72
Cable: ELECTRA LISBON
Telex: 12598
Medical only
Mundoimpo Mundial de Comercio
S.A. I
Avenida Antonio Augusto
de Aguiar 138
P.O. Box 5781
Lisbon
Tel: (1) 59 53 21 31-7
Telex: 16691 muntar p
Cable: INTERCAMBIO LISBON

ROMANIA

Electra-Engenharia Técnica de Equipamentos S.A. I
Rua Rodrigo da Fonseca 103
P.O. Box 2531
P-1149-014 Lisboa
Tel: (1) 58 60 72
Cable: ELECTRA LISBON
Telex: 12598
Medical only
Mundoimpo Mundial de Comercio
S.A. I
Avenida Antonio Augusto
de Aguiar 138
P.O. Box 5781
Lisbon
Tel: (1) 59 53 21 31-7
Telex: 16691 muntar p
Cable: INTERCAMBIO LISBON

ROMANIA

Electra-Engenharia Técnica de Equipamentos S.A. I
Rua Rodrigo da Fonseca 103
P.O. Box 2531
P-1149-014 Lisboa
Tel: (1) 58 60 72
Cable: ELECTRA LISBON
Telex: 12598
Medical only
Mundoimpo Mundial de Comercio
S.A. I
Avenida Antonio Augusto
de Aguiar 138
P.O. Box 5781
Lisbon
Tel: (1) 59 53 21 31-7
Telex: 16691 muntar p
Cable: INTERCAMBIO LISBON

ROMANIA

Electra-Engenharia Técnica de Equipamentos S.A. I
Rua Rodrigo da Fonseca 103
P.O. Box 2531
P-1149-014 Lisboa
Tel: (1) 58 60 72
Cable: ELECTRA LISBON
Telex: 12598
Medical only
Mundoimpo Mundial de Comercio
S.A. I
Avenida Antonio Augusto
de Aguiar 138
P.O. Box 5781
Lisbon
Tel: (1) 59 53 21 31-7
Telex: 16691 muntar p
Cable: INTERCAMBIO LISBON

ROMANIA

Electra-Engenharia Técnica de Equipamentos S.A. I
Rua Rodrigo da Fonseca 103
P.O. Box 2531
P-1149-014 Lisboa
Tel: (1) 58 60 72
Cable: ELECTRA LISBON
Telex: 12598
Medical only
Mundoimpo Mundial de Comercio
S.A. I
Avenida Antonio Augusto
de Aguiar 138
P.O. Box 5781
Lisbon
Tel: (1) 59 53 21 31-7
Telex: 16691 muntar p
Cable: INTERCAMBIO LISBON

ROMANIA

Electra-Engenharia Técnica de Equipamentos S.A. I
Rua Rodrigo da Fonseca 103
P.O. Box 2531
P-1149-014 Lisboa
Tel: (1) 58 60 72
Cable: ELECTRA LISBON
Telex: 12598
Medical only
Mundoimpo Mundial de Comercio
S.A. I
Avenida Antonio Augusto
de Aguiar 138
P.O. Box 5781
Lisbon
Tel: (1) 59 53 21 31-7
Telex: 16691 muntar p
Cable: INTERCAMBIO LISBON

ROMANIA

Electra-Engenharia Técnica de Equipamentos S.A. I
Rua Rodrigo da Fonseca 103
P.O. Box 2531
P-1149-014 Lisboa
Tel: (1) 58 60 72
Cable: ELECTRA LISBON
Telex: 12598
Medical only
Mundoimpo Mundial de Comercio
S.A. I
Avenida Antonio Augusto
de Aguiar 138
P.O. Box 5781
Lisbon
Tel: (1) 59 53 21 31-7
Telex: 16691 muntar p
Cable: INTERCAMBIO LISBON

ROMANIA

Electra-Engenharia Técnica de Equipamentos S.A. I
Rua Rodrigo da Fonseca 103
P.O. Box 2531
P-1149-014 Lisboa
Tel: (1) 58 60 72
Cable: ELECTRA LISBON
Telex: 12598
Medical only
Mundoimpo Mundial de Comercio
S.A. I
Avenida Antonio Augusto
de Aguiar 138
P.O. Box 5781
Lisbon
Tel: (1) 59 53 21 31-7
Telex: 16691 muntar p
Cable: INTERCAMBIO LISBON

ROMANIA

Electra-Engenharia Técnica de Equipamentos S.A. I
Rua Rodrigo da Fonseca 103
P.O. Box 2531
P-1149-014 Lisboa
Tel: (1) 58 60 72
Cable: ELECTRA LISBON
Telex: 12598
Medical only
Mundoimpo Mundial de Comercio
S.A. I
Avenida Antonio Augusto
de Aguiar 138
P.O. Box 5781
Lisbon
Tel: (1) 59 53 21 31-7
Telex: 16691 muntar p
Cable: INTERCAMBIO LISBON

ROMANIA

Electra-Engenharia Técnica de Equipamentos S.A. I
Rua Rodrigo da Fonseca 103
P.O. Box 2531
P-1149-014 Lisboa
Tel: (1) 58 60 72
Cable: ELECTRA LISBON
Telex: 12598
Medical only
Mundoimpo Mundial de Comercio
S.A. I
Avenida Antonio Augusto
de Aguiar 138
P.O. Box 5781
Lisbon
Tel: (1) 59 53 21 31-7
Telex: 16691 muntar p
Cable: INTERCAMBIO LISBON

UNITED ARAB EMIRATES

HeWlett-Packard España S.A.
Av. Ramón y Cajal 1
Edificio Sevilla planta 9
Sevilla 5
Tel: 54 44 54 58
HeWlett-Packard España S.A.
Edificio Alba II 5
E-41013 Sevilla
Tel: 23 83 06 23 82 06
Cable: HEWPAKITA S.A.
E. Ramon Gardollo
Tel: 96 161 13 54 36 13 58

UNITED KINGDOM

HeWlett-Packard Ltd
King Street Lane
GB Wetherham, Wokingham
Berks RG11 5AB
Tel: (323) 74 42 74
Cable: Hewpac London
Telex: 847178

UNITED KINGDOM

HeWlett-Packard Ltd
King Street Lane
GB Wetherham, Wokingham
Berks RG11 5AB
Tel: (323) 74 42 74
Cable: Hewpac London
Telex: 847178

UNITED KINGDOM

HeWlett-Packard Ltd
King Street Lane
GB Wetherham, Wokingham
Berks RG11 5AB
Tel: (323) 74 42 74
Cable: Hewpac London
Telex: 847178

UNITED KINGDOM

HeWlett-Packard Ltd
King Street Lane
GB Wetherham, Wokingham
Berks RG11 5AB
Tel: (323) 74 42 74
Cable: Hewpac London
Telex: 847178

UNITED KINGDOM

HeWlett-Packard Ltd
King Street Lane
GB Wetherham, Wokingham
Berks RG11 5AB
Tel: (323) 74 42 74
Cable: Hewpac London
Telex: 847178

UNITED KINGDOM

HeWlett-Packard Ltd
King Street Lane
GB Wetherham, Wokingham
Berks RG11 5AB
Tel: (323) 74 42 74
Cable: Hewpac London
Telex: 847178

UNITED KINGDOM

HeWlett-Packard Ltd
King Street Lane
GB Wetherham, Wokingham
Berks RG11 5AB
Tel: (323) 74 42 74
Cable: Hewpac London
Telex: 847178

UNITED KINGDOM

HeWlett-Packard Ltd
King Street Lane
GB Wetherham, Wokingham
Berks RG11 5AB
Tel: (323) 74 42 74
Cable: Hewpac London
Telex: 847178

UNITED KINGDOM

HeWlett-Packard Ltd
King Street Lane
GB Wetherham, Wokingham
Berks RG11 5AB
Tel: (323) 74 42 74
Cable: Hewpac London
Telex: 847178

UNITED KINGDOM

HeWlett-Packard Ltd
King Street Lane
GB Wetherham, Wokingham
Berks RG11 5AB
Tel: (323) 74 42 74
Cable: Hewpac London
Telex: 84717