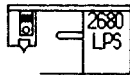


**26067A/B SYSTEM INTERFACE
OPTION 001**

HP-IB INTERFACE

(FOR 256X LINE PRINTERS)

PART NUMBER 26067-90901



The contents of this document were prepared
using the following Hewlett Packard products:

IDS/3000

IFS/3000

HPDRAW

TDP/3000

and was printed on an HP 2680 Laser Printing System
November 1983

Publication History

Changes in text to document updates subsequent to the initial release are supplied in manual update notices and/or complete revisions to the manual. The history of any changes to this edition of the manual is given below. The last update itemized reflects the machine configuration documented in the manual.

Any changed pages supplied in an update package are identified by an update number adjacent to the page number. Changed information is specifically identified by a vertical line (revision bar) on the outer margin of the page.

First EditionNOV 1983

NOTICE

The information contained in this document is subject to change without notice.

HEWLETT-PACKARD MAKES NO WARRANTY OF ANY KIND WITH REGARD TO THIS MATERIAL, INCLUDING, BUT NOT LIMITED TO, THE IMPLIED WARRANTIES OF MERCHANTABILITY AND FITNESS FOR A PARTICULAR PURPOSE. Hewlett-Packard shall not be liable for errors contained herein or for incidental or consequential damages in connection with the furnishing, performance, or use of this material.

This document contains proprietary information which is protected by copyright. All rights are reserved. No part of this document may be photocopied or reproduced without the prior written consent of Hewlett-Packard Company.

Copyright 1983 by Hewlett-Packard Company

HP Computer Museum
www.hpmuseum.net

For research and education purposes only.

TABLE OF CONTENTS

Title	Page
I GENERAL INFORMATION	
1-1. INTRODUCTION.	1-1
1-2. GENERAL DESCRIPTION.	1-1
II INSTALLATION AND CONFIGURATION	
2-1. INTRODUCTION.	2-1
2-2. UNPACKING AND INSPECTION.	2-1
2-3. INTERFACE INSTALLATION.	2-1
2-4. PRINTER/INTERFACE CONFIGURATION.	2-3
2-5. CE MODE CONFIGURATION.	2-3
2-6. CABLE - I/O DRIVER LOADING.	2-4
III THEORY OF OPERATION	
3-1. INTRODUCTION.	3-1
3-2. MASTER/SLAVE SHARED MEMORY COMMUNICATION PRTOTOCO.	3-1
3-3. FUNCTIONAL CIRCUIT DESCRIPTION.	3-3
3-4. Functional Circuits.	3-3
3-5. Circuit Operations.	3-4
IV MAINTENANCE	
4-1. INTRODUCTION.	4-1
4-2. SELF-TEST.	4-1
4-3. I/O LED.	4-3
4-4. REPLACEMENT PARTS AND DIAGRAMS.	4-3

APPENDIX

A CE MODE SYSTEM DRIVER CONFIGURATION A-1

ILLUSTRATIONS

2-1. INTERFACE INSTALLATION. 2-2
2-2. HP-IB INTERFACE LOAD LOCATIONS 2-5
2-3. HP-IB CABLE LOADING EXAMPLE 2-6
3-1. MASTER/SLAVE SHARED MEMORY COMMUNICATION PROTOCOL 3-1
3-2. PACKET FORMAT. 3-2
3-3. MASTER/SLAVE REQUEST FORMAT 3-3
4-1. HP-IB INTERFACE PCA (5061-1702) PARTS LOCATION. 4-4
4-2. HP-IB CONNECTOR (P40) SIGNAL CONNECTIONS. 4-6
4-3. HP-IB INTERFACE PCA (5061-1702) SCHEMATIC 4-9
4-4. HP-IB INTERFACE BLOCK DIAGRAM. 4-13

TABLES

1-1. SPECIFICATIONS 1-1
4-1. I/O SELF-TEST ERROR CODES. 4-2
4-2. SERVICE LED ERROR INDICATIONS 4-3
4-3. HP-IB INTERFACE PCA (5061-1702) PARTS LIST 4-5
4-4. INTERFACE BACKPLANE CONNECTOR (P1) SIGNAL CONNECTIONS. 4-7
A-1. HP-IB PRINTER DRIVER TYPE CONFIGURATION. A-1

26067A**Section I
General Information****1-1. INTRODUCTION**

This manual provides general information, installation, theory, and service information for the Hewlett-Packard HP-IB Interface (part number 5061-1702).

This section includes a general description and specifications for the interface.

1-2. GENERAL DESCRIPTION

The HP-IB Interface (5061-1702) enables a user to operate an HP 256X Line Printer on the Hewlett-Packard Interface Bus (HP-IB).

The HP-IB interface consists of a single printed circuit assembly (PCA) part number 5061-1702

which is installed into the printer backplane I/O connector. The interface is available either as the factory installed standard printer interface or as a kit for field installation. The 26067A/B HP-IB Interface Kit provides the HP-IB Interface PCA (5061-1702) for field installation. The kit also includes this manual (part number 26067-90901) and a 4 metre cable.

The HP-IB Interface is designed for operation in the HP 256X Line Printer; thus, the interface electrical specifications conform to the printer specifications. Printer specifications are provided in the 2563A Printer Operator's Manual (part number 02563-90901).

General specifications for the interface are listed in table 1-1.

TABLE 1-1. SPECIFICATIONS***Electrical Characteristics**

POWER REQUIRED: +12 Volts +/- 5% @ 50 ma max. + 5 Volts +/- 5% @ 1500 ma max.

All power is supplied by the printer through the backplane connector to the interface PCA.

***Mechanical Characteristics**

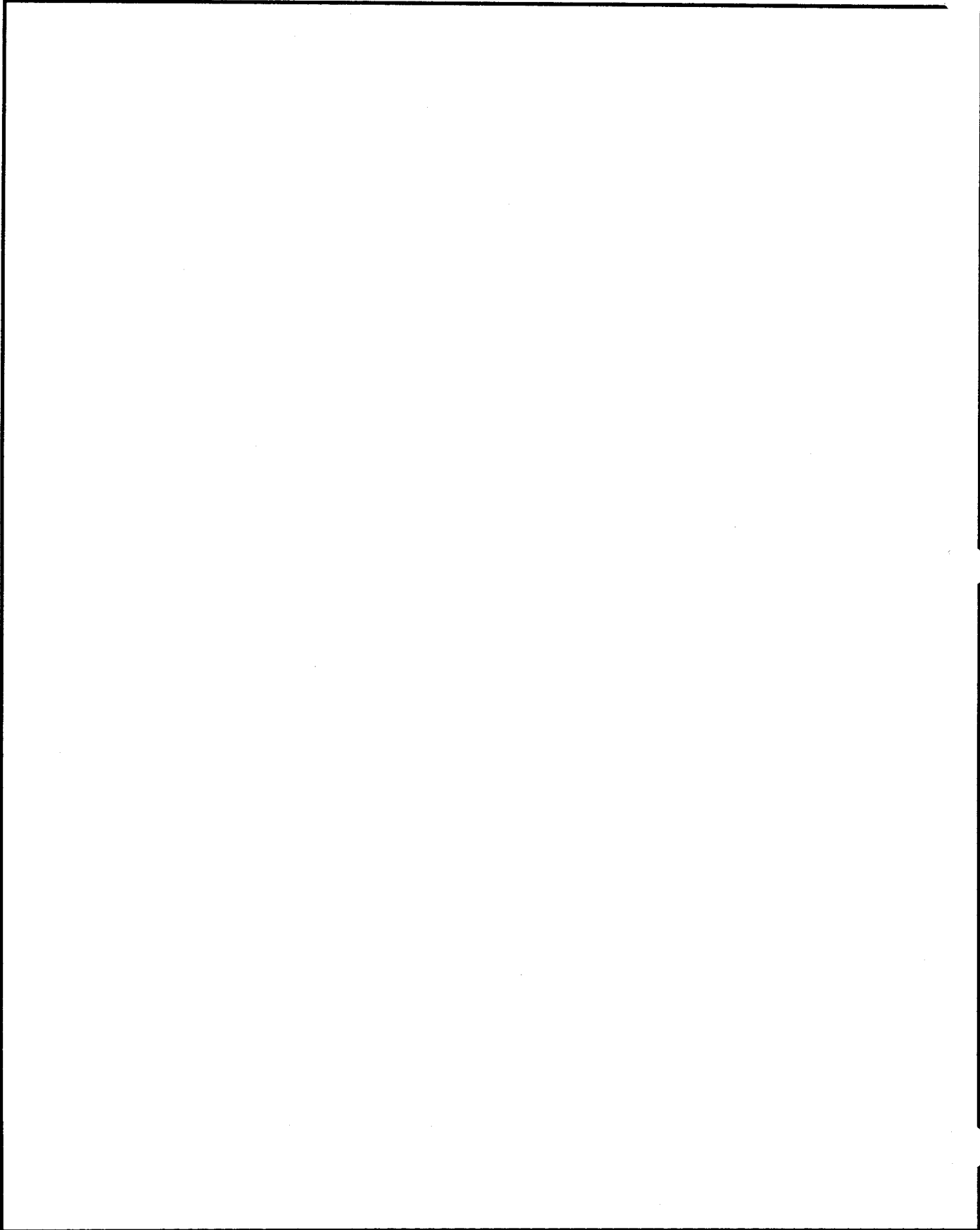
SIZE: 20 cm (7.87 in.) by 27.7 cm (10.9 in.)

***Environmental Specifications**

OPERATING TEMP: 0 to 55 Degrees C (32 to 131 Degrees F)

RELATIVE HUMIDITY: 10% to 90% @ 40 Degrees C

26067A



26067A

Section II.

Installation and Configuration

2-1. INTRODUCTION

This section of the manual describes how to install the HP-IB Interface (5061-1702) into the printer, how to adjust HP-IB cable loading, and how to configure the HP-IB interface functions for the system. It also covers unpacking and inspection of the HP 26067A System Interface kit.

2-2. UNPACKING AND INSPECTION

If the shipping container is damaged upon receipt, request that the carrier's agent be present when the kit is unpacked. Inspect the kit for damage (cracks, broken parts, etc.). If the kit is damaged and fails to meet specifications, notify the carrier and the nearest Hewlett-Packard Sales and Service Office (these offices are listed at the back of this manual.)

Retain the shipping container and packing material for the carrier's inspection. The Hewlett-Packard Sales and Service Office will arrange for the repair or replacement of the damaged kit.

2-3. INTERFACE INSTALLATION

Installation of the interface into the printer consists of removing/opening the printer cover/panel, adjusting the HP-IB loading, inserting the interface into the printer backplane interface connector, and configuring the interface. Installation of the interface is described in the following steps.

WARNING

Any operation which requires the removal of the printer's protective covers must be performed by a qualified Hewlett-Packard service representative. Unqualified personnel may contact voltage points in the printer causing serious personal injury or death.

- a. Set the Main Power On/Off switch at the back of the printer to off (0).
- b. Remove the printer cover/panel as directed in the appropriate printer service manual.
- c. Adjust the HP-IB loads on the interface as required for the total system cable length (see paragraph 2-6, Cable-I/O Cable Loading).
- d. Insert the HP-IB Interface PCA into the rear (I/O) printer slot.
- e. Connect the printer ground wire from the printer Backplane/Analog PCA to the HP-IB interface PCA (see figure 2-1).
- f. If the printer is being installed and requires configuration and the configuration requires CE mode (see paragraph 2-5), for convenience install the CE jumper mode in this step.

NOTE

The non-CE functions can be configured when the printer is in the CE mode.

26067A

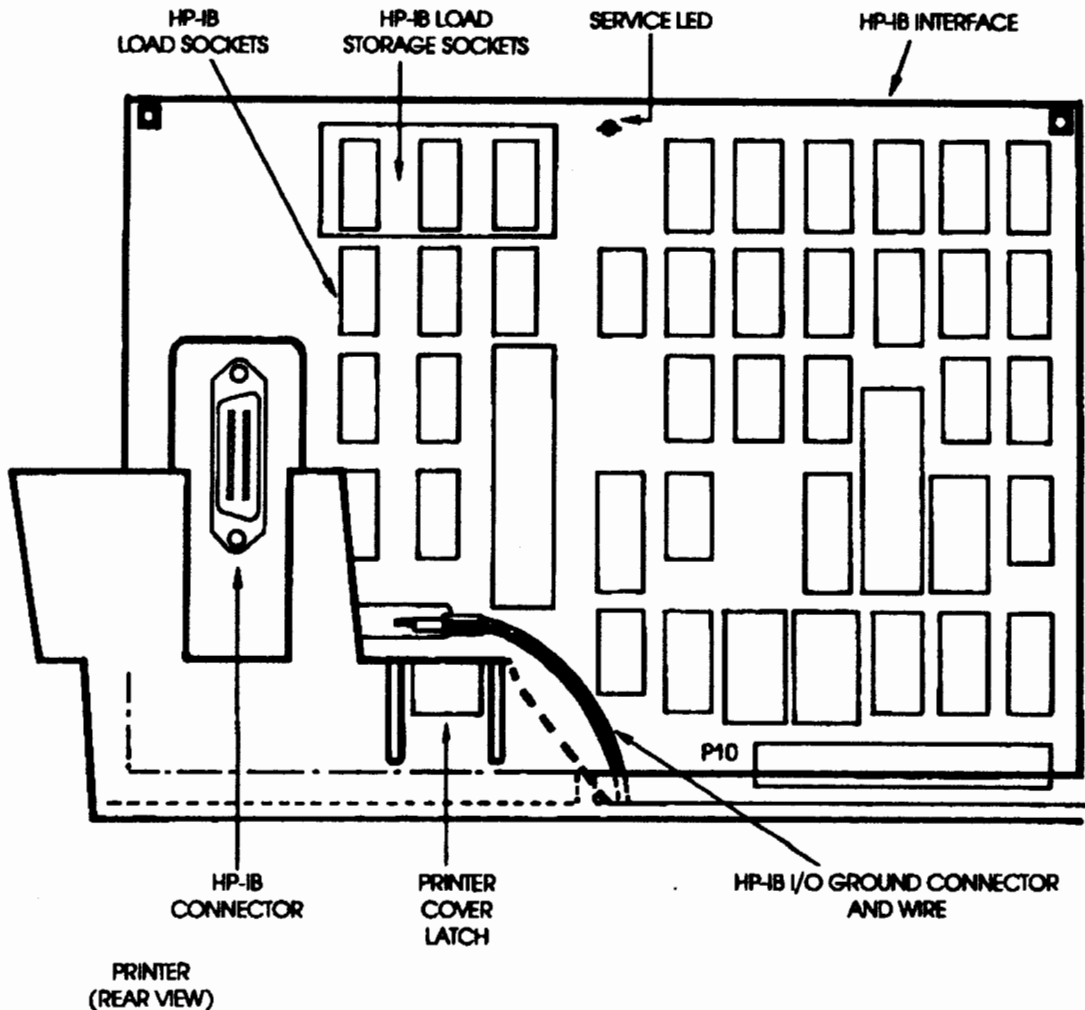


Figure 2-1. Interface Installation

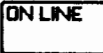







- g. Replace/close the printer top cover/panel, but do not secure it.
- h. Set the printer POWER switch to on (1).
- i. Configure (or check) the CE mode functions and configuration settings on the printer Operator Control Panel (see paragraph 2-5, CE Mode Configuration).
- j. Disconnect the power to the printer by setting the Main Power On/OFF switch at the back of the printer to off (0).
- k. Lift the printer top cover from the printer and remove the CE mode jumper.
- l. Replace and secure the printer cover.
- m. Connect the HP-IB cable to the printer I/O connector (see figure 2-1).
- n. Apply power to the printer.
- o. Run self-test to verify operation of the interface (refer to paragraph 4-2, Self-Test).




26067A

2-4. PRINTER/INTERFACE CONFIGURATION

To configure the HP-IB printer/interface for operation requires that an HP-IB address be selected for the printer. The HP-IB address is configured in the same way that the other 256X printer features (print density, margins, etc.) are selected. To select an HP-IB address, select function number 20 and then enter an address (parameter) of 0 through 7.

To configure the HP-IB address, perform the following steps:

- a. Press the  key to take the printer off-line (if the printer is on-line), power should be applied to the printer.
- b. Press and hold the  key on the Operator Control Panel. This action displays the function number in the Operator Control Panel display.
- c. Select function number 20 on the Operator Control Panel display by pressing either the  key (to increment the displayed number up) or the  key (to increment the number down).
- d. Release the  key. Releasing the  displays the HP-IB address (parameter) number in the display.
- e. Select the desired address 0-7 in the display in the same manner that the function number was selected in step c, using the  and  keys.

- f. Press the  key. This finalizes the configuration and returns the  printer to normal operation. If the  key is not pressed the above configuration selections are not saved.

2-5. CE MODE CONFIGURATION

To configure the interface function numbers 25 through 29 the 256X printer must be in CE mode. Once the printer is in CE mode the function numbers 25 through 29 can be configured in the same manner as the non-CE mode function numbers (see paragraph 2-4, Printer/Interface Configuration).

CE mode function number 25 configures the interface for the type of system driver. This configuration is performed at the factory; however, if the printer is switched to a system with the alternate type of driver, the interface configuration can be changed (refer to appendix A for configuration values).

To place the printer in CE mode:

- a. Set the printer ON/OFF switch to OFF (0).

WARNING

Any operation which requires the removal of the printer's protective covers must be performed by a qualified Hewlett-Packard service representative. Unqualified personnel inside the printer may contact voltage points causing serious personal injury or death.

26067A

- b. Gain access to the interface PCA as directed in the appropriate printer service manual.
- c. Install a jumper on the Control PCA from the CE MODE test point to ground test point.
- d. Set the ON/OFF switch to ON (1).
- e. Configure the CE mode functions.

NOTE

The non-CE mode function numbers (20-24) can be configured in CE mode if desired.

- f. Remove the CE mode jumper from the Control PCA.
- g. Replace the printer panel/cover.

**TOTAL
CABLE LENGTH**

$$\begin{aligned} \text{(in metres)} \leq & \# \text{ of System (GIC) Loads} \\ & + \# \text{ of Printer Loads} \\ & + \# \text{ of Loads Of All} \\ & \text{Other Bus Devices} \end{aligned}$$

When calculating loading for a system, the number of loads (load units) in the system controller plus, all other bus devices must be added together to get the total number of I/O driver loads. The cable length is the total of all lengths (number of metres) of cable.

NOTE

When adding the number of metres of cable in a system, remember to include the internal cable in the bus devices if there is any.

2-6. CABLE - I/O DRIVER LOADING

An HP-IB cable connected to the HP-IB interface presents a load to the HP-IB interface driver circuits. Different bus cable lengths present different loads to the bus devices. To eliminate possible data rate reduction or data loss which might occur as a result of mismatched loading between the HP-IB devices and the cable loading, the HP-IB Interface (5061-1702) I/O driver is designed with variable loading. This variable loading enables compensation of the HP-IB interface for changes in cable loading (length).

The interface loading is designed such that one load unit (1 load) compensates for one metre of cable. For a good loading match the HP-IB bus requires that the number of metres of cable should be less than or equal to the total number of system device loads. The equation below describes these loading requirements.

The maximum number of loads is 15 for any bus, thus the maximum length of cable is 15 metres.

Bus devices are designed with a certain number of loads built into the circuit which are not removable. This type of load is referred to as an "internal" load where as the installable (removable) resistor pack loads are referred to as "installable" loads (or load packs). The HP-IB Interface I/O driver loading can be changed by inserting installable load packs (that contain either 1 load, 2 loads, or 4 loads) into the I/O driver load sockets (XR5, XR6, and XR8) on the interface PCA (see figure 2-2). One, two, or three load packs (that contain 1 load, 2 loads, and 4 loads), which are provided with the interface PCA, may be installed into the I/O driver circuitry load sockets. The total loading is the sum of the installed loads plus one (there is one internal load designed into the circuit which must also be added). This provides a variable

26067A

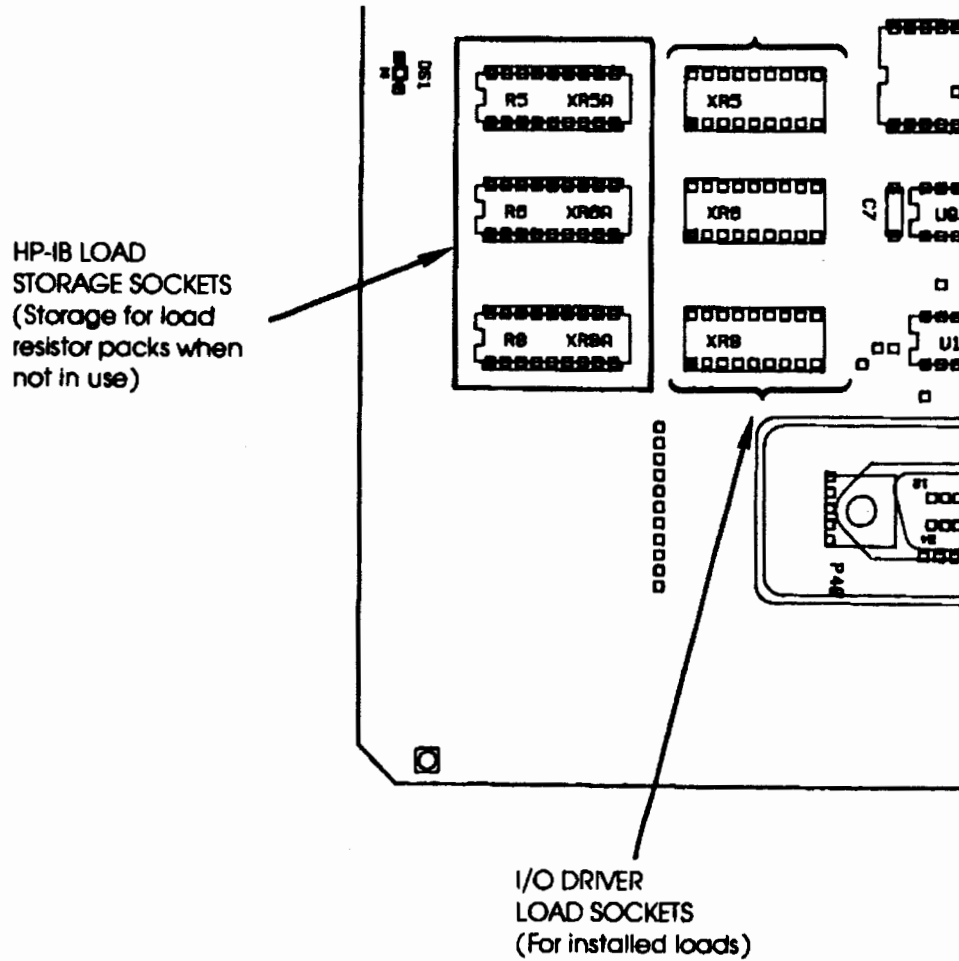


Figure 2-2. HP-IB Interface Load Locations

load range from 1 (1 internal design load; no installed loads) to 8 (three loads, "1 load", "2 load", and "3 load" installed plus the one internal design load). When the loads are not being used they are stored in storage sockets (XR5A, XR6A, and XR8A).

The HP-IB Interface (5061-1702) is shipped with 1 I/O load (1 internal design load and no load resistor packs installed).

26067A

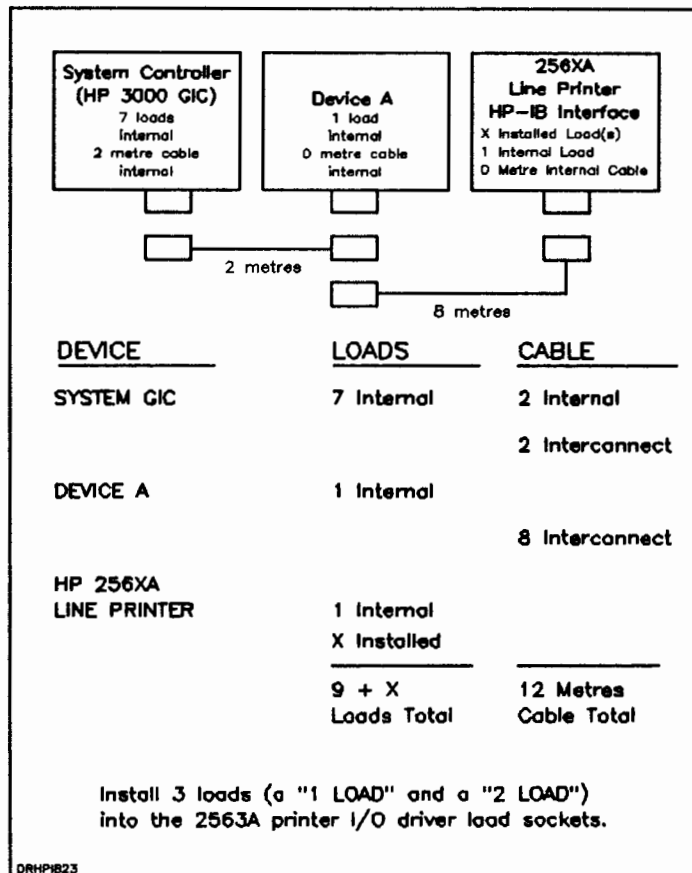


Figure 2-3. HP-IB Cable Loading Example

When installing or changing cabling, observe the following recommendations:

- Connect multiple devices to the system in a linear (serial/daisy-chain) configuration rather than in a star (radial/cluster) configuration.
- Connect the device containing the most loads furthest from the system controller.
- The maximum total cable length is 15 metres and total number of loads is 15 for any HP-IB bus configuration.
- The device containing the most internal loads should be connected with the longest cable.
- The total length of cable (in metres) used, must be less than or equal to the total number of device loads on the HP-IB bus.

If, For example, a system includes an HP3000, an HP 2563A Line Printer, and some other device (DEVICE A) as shown in figure 2-3, the loads are calculated as shown. For the number of loads to equal the number of metres of cable (12 metres), 3 loads need to be added since nine are already available. Thus, a 1 load and a 2 load resistor pack can be installed into the I/O driver load sockets, from the load storage sockets, to increase the number of total loads to 12.

26067A

SECTION III. THEORY OF OPERATION

3-1. INTRODUCTION

This section provides the theory of operation for the HP-IB Interface. A brief description of the printer/interface communication protocol is provided, followed by a description of the HP-IB interface. The HP-IB interface circuits are described on a functional level (see figure 3-1) to provide a general understanding of the operation of the interface.

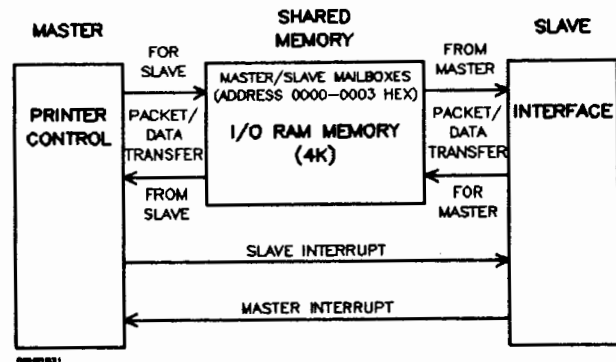


Figure 3-1. Master/Slave Shared Memory Communication Protocol

3-2. MASTER/SLAVE SHARED MEMORY COMMUNICATION PROTOCOL

The printer control electronics and the interface electronics communicate with each other through the "shared" I/O RAM memory located on the HP-IB interface (see figure 3-1). When either the printer or the interface electronics has information to transfer to the other (interface or printer), the information is stored into the I/O RAM, by either the master or the interface initiating the packet, and removed by the other (slave or printer). That is, if the interface has information for the printer, the interface stores the information into the I/O RAM memory and the printer reads the information from the I/O RAM memory. Thus, both printer and interface share this memory for information exchange. This shared memory communication protocol identifies the printer as the master and the interface as the slave.

The master/slave shared memory communication protocol uses a format referred to as a packet to implement the shared memory protocol. The packet (see figure 3-2) is created by the originator and contains all the information required to inform the master or slave as to what operation it is being requested to perform. These operations include the transfer of print data from the slave to the master for printing, self-test information transfer between the master and the slave, printer configuration data from the master to the slave, or status information transfer from the slave to the master.

The packet, created by either the master or slave, consists of a block of 18 bytes of memory. Each byte of the packet contains information that the originator (master or slave) of the packet needs to pass to the receiver (master or slave) of the packet. These commands might be print data command, self-test data exchange, or configuration information. The packet bytes include a Command byte and a Command Modifier byte which identifies the command the

26067A

packet originator needs performed. A Return Command Status byte to indicate Status byte is used to indicate to the packet originator the status of the command operation. Also, if any data, such as data to be printed, is associated with the command, the packet Buffer Address byte identifies the beginning I/O RAM memory address where this data is stored and the Data Length byte identifies the number of data bytes stored.

locations of the I/O RAM memory (0000 Hex and 0001 Hex; referred to as the slave's mailbox) and the slave places its requests for the master into the second two memory locations (0002 Hex and 0003 Hex; referred to as the master's mailbox). These two bytes identify the beginning I/O RAM memory address location where where the originator has placed the packet. Thus, if the master has a command for the slave, the master will place the two packet address bytes into the first two locations of memory (0000 and 0001 hexadecimal) and then interrupt the slave. The master interrupts the slave by means of the Slave Interrupt (INTSLV) signal line. This interrupt prompts the slave to read its I/O RAM mailbox memory locations to obtain the address of the packet.

When either the master or the slave has a command and/or data to transfer for the other, the originator (master or slave initiating the command) must create a packet for the command information and transfers the packet to the I/O RAM memory. Also, any data associated with the command is transferred into memory. Then the originator places the memory address of the packet into the receivers (slave or master performing the command). The receiver retrieves the address of the packet from its mailbox. Once the receiver has the packet address, the receiver retrieves the packet and performs the operation. When the receiver of the packet has completed the packet operation (or is unable to complete the command or gets unexpected results), the receiver writes the status into the packet Returned Command Status byte (byte 10), returns the packet into the shared memory, and interrupts (hardware interrupt) the originator. The interrupt prompts the originator to look for a packet address in its mailbox, retrieve the packet, and read the status. This sequence allows the master and slave a means of transferring information to each other, through the shared memory.

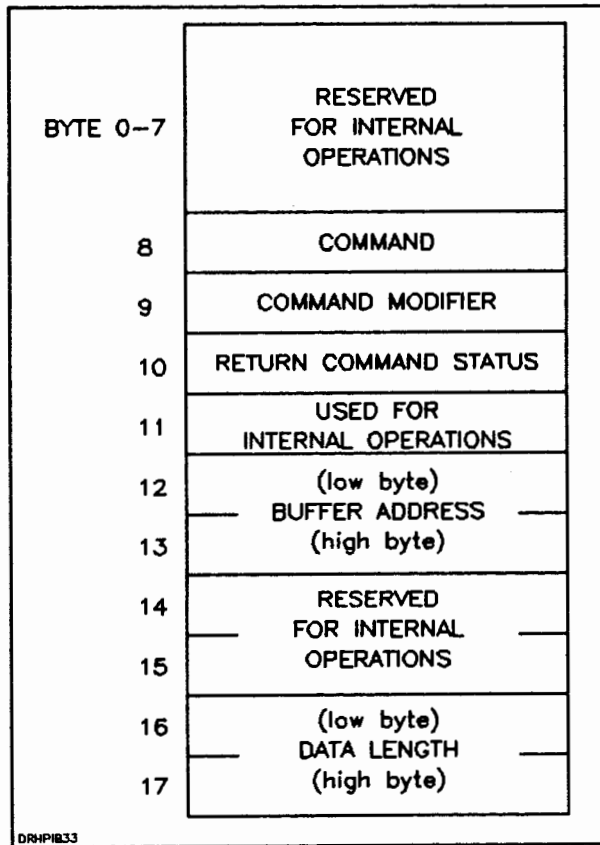


Figure 3-2. Packet Format

The first four I/O RAM memory locations (0000 Hex -0003 Hex; see figure 3-3) are reserved for originator (the master or slave) of a packet to indicate to the other (slave or master) that an operation needs to be performed. The master places its requests for the slave into the first two

26067A

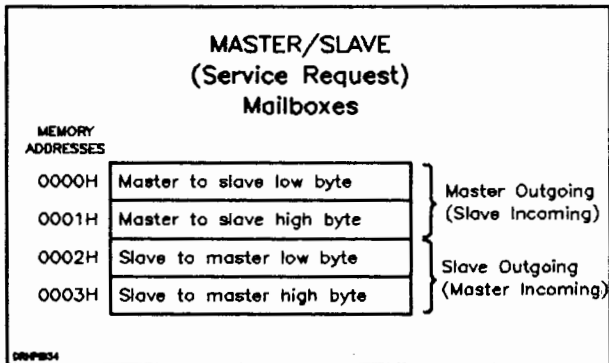


Figure 3-3. Master/Slave Request Format

3-3. FUNCTIONAL CIRCUIT DESCRIPTION

The HP-IB interface (see figure 4-4) transfers data to the printer from the computer and status information from the printer to the computer. This information exchange is accomplished across the Hewlett-Packard Interface Bus (HP-IB) using HP-IB protocol. The interface functional circuits are described below, followed by a functional circuit operation description.

3-4. FUNCTIONAL CIRCUITS

The interface circuitry consists of control electronics and memory circuits. The memory includes 8K of read only memory (ROM) and 4K of I/O random access memory (RAM). The control electronics consist of the I/O processor, the HP-IB processor and the I/O control circuitry.

a. I/O Processor

The I/O processor (a Z80 microprocessor) provides the main control for interface operations which includes interpreting and executing commands received from the printer processor and from across the bus, writing data into the I/O RAM memory, and generation and regulation of packet

information for the master. It provides control signals to the I/O control circuitry and to the HP-IB processor. The I/O processor provides control through the operation of the I/O operating program contained in the I/O ROM.

b. I/O Control Circuitry

The I/O control circuitry receives input control signals from the I/O processor and from the printer control processor control lines and address buses. The I/O control circuitry controls access to the I/O RAM memory by the master or I/O slave circuits. Since the I/O RAM memory is shared by both the master and I/O slave and only one may access the memory at a time, the control circuitry regulates which processor (master or slave) is allowed to access the memory. This includes control of the address multiplexer for selection of either the master or slave address bus used for addressing the I/O RAM memory and control of the bi-directional bus gates to allow the master data bus or the I/O slave data bus access to the I/O RAM. The control circuitry controls the address multiplexer by means of the address select (AS) signal. Whichever processor is selected to read or write into or from the I/O RAM memory, its address bus is selected for addressing. The I/O RAM memory access is provided to the processors on a first-come-first-serve basis.

The bi-directional bus gates divide the data bus into separate sections, to allow either the master or slave processor data bus use of the shared I/O RAM memory. Also, since the data bus is common through the printer, these gates separate the bus, allowing both processors to transfer data across their respective sections of the bus at the same time. These gates are normally disabled and must be enabled by the control circuitry to allow data to pass.

26067A

c. HP-IB Processor

The HP-IB processor manages all HP-IB bus protocol control operations involved in the transfer of data/command information to and from the HP-IB bus. Data or commands received on the HP-IB bus are transferred across the interface data bus to the I/O processor for action. Commands transferred across the HP-IB bus are handled by the I/O processor and the required action taken. The HP-IB processor performs these bus communications as directed by the I/O processor; and, the I/O processor as directed by the printer processor.

3-5. CIRCUIT OPERATION

A brief description of the data flow through the interface is used to provide a general understanding of how the various interface circuits work together to transfer data. This data flow describes the transfer of data from the computer to the HP-IB interface, where it is stored until the printer is ready to accept it.

The computer initiates the transfer when it has data for the printer by issuing an HP-IB Request To Write command to the interface. When the HP-IB processor (see figure 4-4) receives the command from the bus it sets the End Or Secondary Interrupt (-EOSINT) signal which in turn sets the INT signal to the I/O processor. The I/O processor Interrupt (-INT) signal, when enabled, informs the I/O processor that some circuit requires action.

The I/O processor can be interrupted by any one of three interrupts: End Or Secondary Interrupt (EOSINT), HP-IB Interrupt (HPIBINT), or the Slave Interrupt (INTSLV). The slave Interrupt signal is generated by the I/O control circuitry, when the printer processor requests access to the I/O RAM memory. The other two interrupt signals, EOSINT and HPIBINT, are generated by the HP-IB processor. The HPIBINT is enabled if the HP-IB processor receives an HP-IB Device Clear command across the bus or a parity error is detected on the bus. The EOSINT signal is

enabled if an HP-IB command or the last data byte of a data block is received across the HP-IB bus. Since, in this case, the EOSINT interrupt enables the I/O processor will read the data/command from the HP-IB processor.

To transfer the command from the HP-IB processor to the I/O processor, the I/O processor will identify the action to the HP-IB processor through the address select lines and then enables the I/O Go (IOGO) signal. I/O Go (IOGO) signal triggers the HP-IB processor to output the data. When the data is on the bus the I/O processor reads the data and identifying the command.

This command (HP-IB Write Data command) indicates to the I/O processor that the computer has print data for the printer. This print data must be stored into the shared I/O RAM memory using the master/slave shared memory communication protocol (described in paragraph 3-2). The I/O processor builds a packet for the printer control processor identifying the command and the amount and location of data involved. This packet data is written into the I/O RAM.

When the I/O processor is ready to accept the data from the HP-IB processor, the I/O processor will enable the HP-IB processor IOGO signal. When the IOGO signal is enabled the HP-IB processor outputs the data onto the interface bus and the I/O processor performs a read operation to read the data. This data byte is to be transferred into the I/O RAM memory.

For the I/O processor to write to the I/O RAM memory the I/O processor enables MREQ and WR. These signals inform the control circuitry that the I/O processor requires access to the I/O RAM memory. The control circuitry determines if the I/O RAM memory is available (is not being accessed by the printer control processor). Since the I/O RAM memory is shared by the printer control processor and the I/O processor, only one processor may access the memory at a time. If the printer control processor is using the I/O RAM memory, the I/O processor may be required to wait. If the I/O RAM memory is not

26067A

available the I/O control circuitry will generate WAIT signals which will hold off the I/O processor from accessing the I/O RAM memory until it becomes available. When the I/O RAM memory becomes available the WAIT signal is discontinued and the I/O processor is given access to the I/O RAM.

To allow the I/O processor access to the I/O RAM memory the I/O control circuitry will enable the Gate (GATE) signal and the Direction (DIR) signal to allow the I/O processor data to pass through the gate to the memory. The I/O control circuitry enables the Address Select (AS) line to the Address Multiplexer to allow the I/O processor address to address the memory.

Each byte is transferred from the HP-IB processor across the bus into I/O processor and then back onto the bus into I/O RAM. For each byte the I/O processor selects an I/O RAM address, outputs the address across the address bus to write the data into the memory.

The I/O processor addresses and places the data byte onto the bus. The I/O RAM memory will shift the bytes into its memory when Write Enable (WE) signal from the I/O control circuitry becomes active.

Each byte of data received by the HP-IB processor is transferred into memory in this manner until all the data is transferred. When the final data byte is received by the HP-IB processor, the HP-IB processor enables the EOSINT interrupt line. This indicates to the I/O processor that the data transfer is complete. Now the I/O processor will complete the packet information and write it into the packet memory location. When the data transfer operation is complete the I/O processor will interrupt the printer control processor to let it know that the interface shared I/O RAM contains information for the printer control processor.

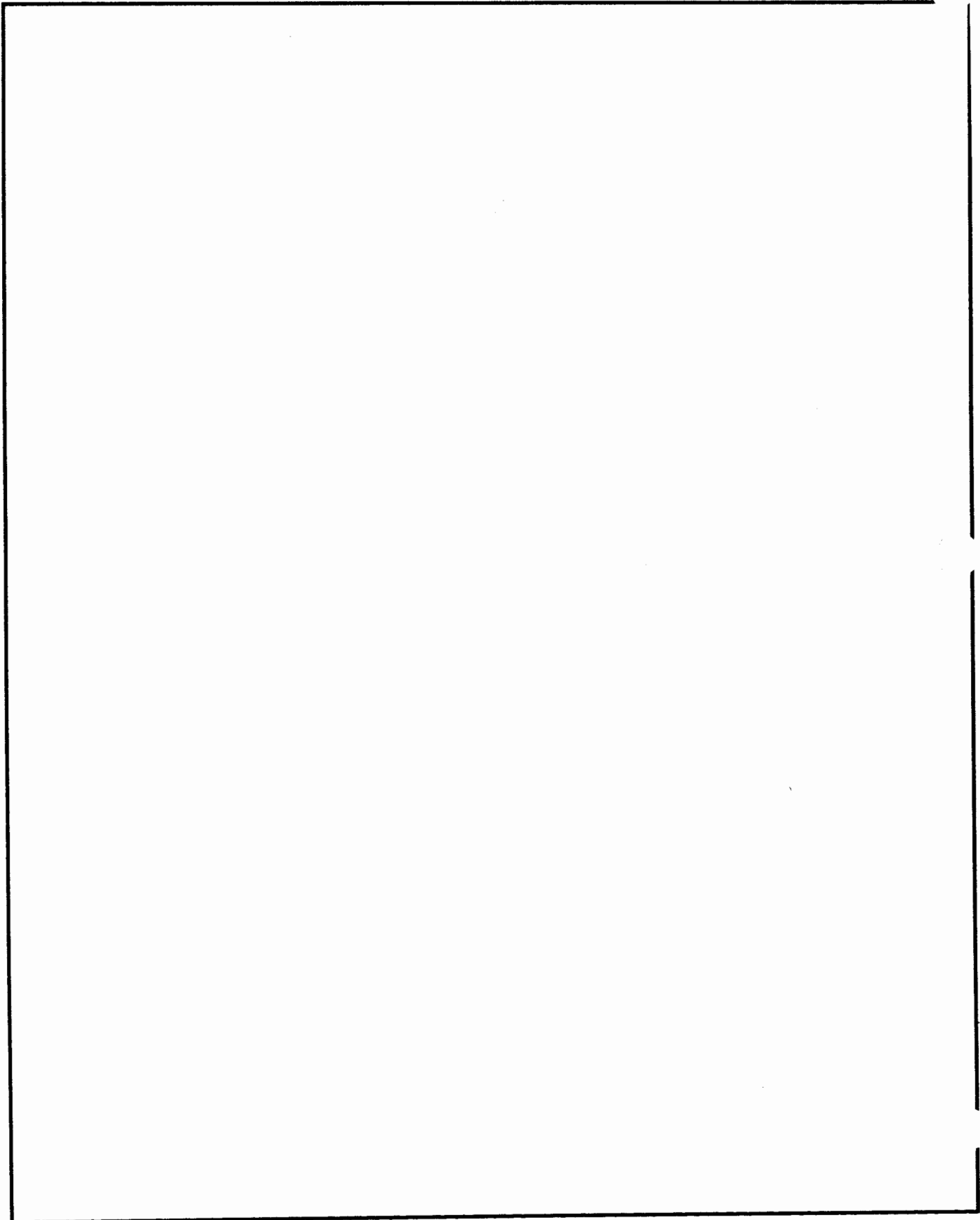
The I/O processor interrupts the printer Control Processor by enabling the Interrupt Master

(INTMAS) signal. Since any one of several slaves can enable the INTMAS signal line and the printer control processor cannot identify which slave has interrupted, the printer control processor will poll the slaves one at a time to identify the one requiring service. To identify the interrupting slave the printer control processor enables the Interrupt Acknowledge (INTACK) signal line. This line is common to all slave circuits. Any slave which interrupted the printer control processor will respond by enabling its Poll Acknowledge (POLACK) signal line. Each slave circuit has its own unique POLACK signal line which identifies to the printer control processor the source of the interrupt. When the printer control processor is ready to accept data from the interface, it will respond to the interrupt request by the interface.

For the printer control processor to communicate with the interface the printer control processor must access the I/O RAM and retrieve the information (packet and data) placed there by the I/O processor. For the printer processor to address the I/O RAM, it must gain access to the I/O ram in the same manner as the I/O processor. The printer control processor will enable its Memory Request (MEMREQ) and Read (RD) signals to the I/O control circuitry. If the I/O processor is not using the I/O RAM for any operation the I/O control circuitry will allow the printer control processor access to the I/O RAM. For the printer control processor to access the RAM the I/O control circuitry enables the bi-directional bus gate A allowing the printer control processor to access the I/O RAM across the bus. The control circuitry will also enable the I/O Address Multiplexer to allow the Address Select signal to the Address Multiplexer to pass the master address bus addresses to the I/O RAM.

Thus the data from the computer is passed through the HP-IB interface to the printer. The transfer of data from the printer to the computer through the interface is identical except the direction is reversed.

26067A



26067A

SECTION IV. MAINTENANCE

4-1. INTRODUCTION

This section provides troubleshooting information and parts replacement information for the HP-IB interface.

4-2. SELF-TEST

The HP-IB interface contains a self-test diagnostic program which checks the I/O ROM, I/O RAM, and most of the HP-IB processor operations.

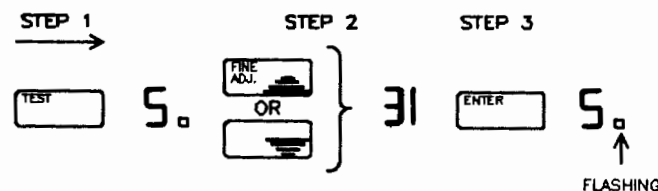
This self-test diagnostic is resident in the interface I/O RAM memory and is initiated from the printer Operator Control Panel by selecting subtest number 31. The standard printer test (self-test) does not perform the I/O subtest diagnostic (except when the printer is, in CE mode), the I/O subtest must be selected and ran separately.

If the I/O self-test is initiated and completes satisfactorily the printer displays the printer-ready status (0 is displayed); if an error is detected the printer display flashes 50 to indicate an I/O error. To identify the type of error press the ENTER key and the I/O self-test error code number (refer to table 4-2) should appear in the display. If the printer is looping on the I/O subtest, then the panel displays a 4 (to indicate looping). If an error is detected while looping, looping stops and the I/O error number 50 will flash in the display.

The I/O subtest performs three routines which check the I/O RAM, I/O ROM, and HP-IB processor, if any one of these tests fail an error number (code) is displayed in the printer Operator Control Panel. Also, if any two or all three of the routines fail, a multiple-error number is provided. These error numbers for the subtest routines are listed in table 4-2 below.

To run the self-test diagnostic perform the following operations:

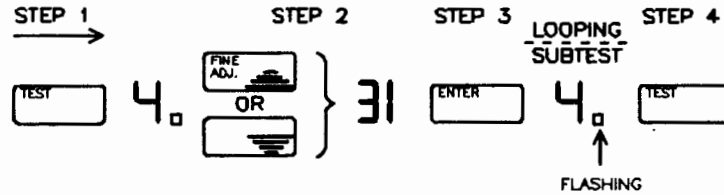
- To run the HP-IB I/O subtest:



- 1 - Press the key until a 4 appears in the Operator Control Panel display.
- 2 - Select the HP-IB I/O subtest number (31) in the printer Operator Control Panel display.
- 3 - Press the key to run the subtest.

26067A

- To run the HP-IB I/O subtest continuously (loop):



- 1 - Press the **TEST** key down until a 4 appears (a 5 will appear first then the 4; it takes approximately it five seconds for the 5 to appear), in the Operator Control Panel display.
- 2 - Select the HP-IB I/O subtest number (31) in the printer Operator Control Panel display.
- 3 - Press the **ENTER** key to run the subtest.
- 4 - Press the **TEST** key to terminate the continuous subtest (if an error is detected the testing will stop and a flashing 50 will appear in the Operator Control Panel display).

TABLE 4-1. I/O SELF TEST ERROR CODES

ERROR NUMBER	ERROR DESCRIPTION
00	NO ERRORS DETECTED
01	RAM ERROR
02	ROM ERROR
03	HP-IB PROCESSOR ERROR
04	MULTIPLE FAILURES

26067A**4-3. I/O LED**

When the interface is powered-up or the printer is reset the interface performs the HP-IB I/O self-test and the I/O processor performs some initial communication with the printer processor. If the communications is performed satisfactorily and the HP-IB I/O self-test completes with no errors the service LED will flash at a 1 Hz rate. If the interface fails the subtests on power-up, the led will not flash, remaining either steady on or off. If the interface passes the I/O subtest but fails to complete the initial communication process the service LED will flash at an 5 Hz rate. If the service LED is flashing at the 5 Hz rate a malfunction in the I/O processor or the I/O control circuitry is indicated. This assumes that the printer processor circuits are capable of

communicating with the interface. To eliminate the possibility of a printer circuit malfunction, the printer standard self-test should be performed first to ensure the operation of the printer circuits.

4-4. REPLACEMENT PARTS AND DIAGRAMS

The replacement parts, diagrams, and schematics are provided in tables and figures provided on the following pages.

TABLE 4-2. SERVICE LED ERROR INDICATIONS

LED	ERROR DESCRIPTION
1/2 Hz FLASH	Interface operating correctly.
5 Hz FLASH	Passed I/O self-test but failed to communicate with printer processor (I/O processor or printer control processor failure)
ON or OFF STEADY	Interface failed subtest (I/O RAM, ROM, or HP-IB processor failure likely). Also front panel cable, can cause this error.

26067A

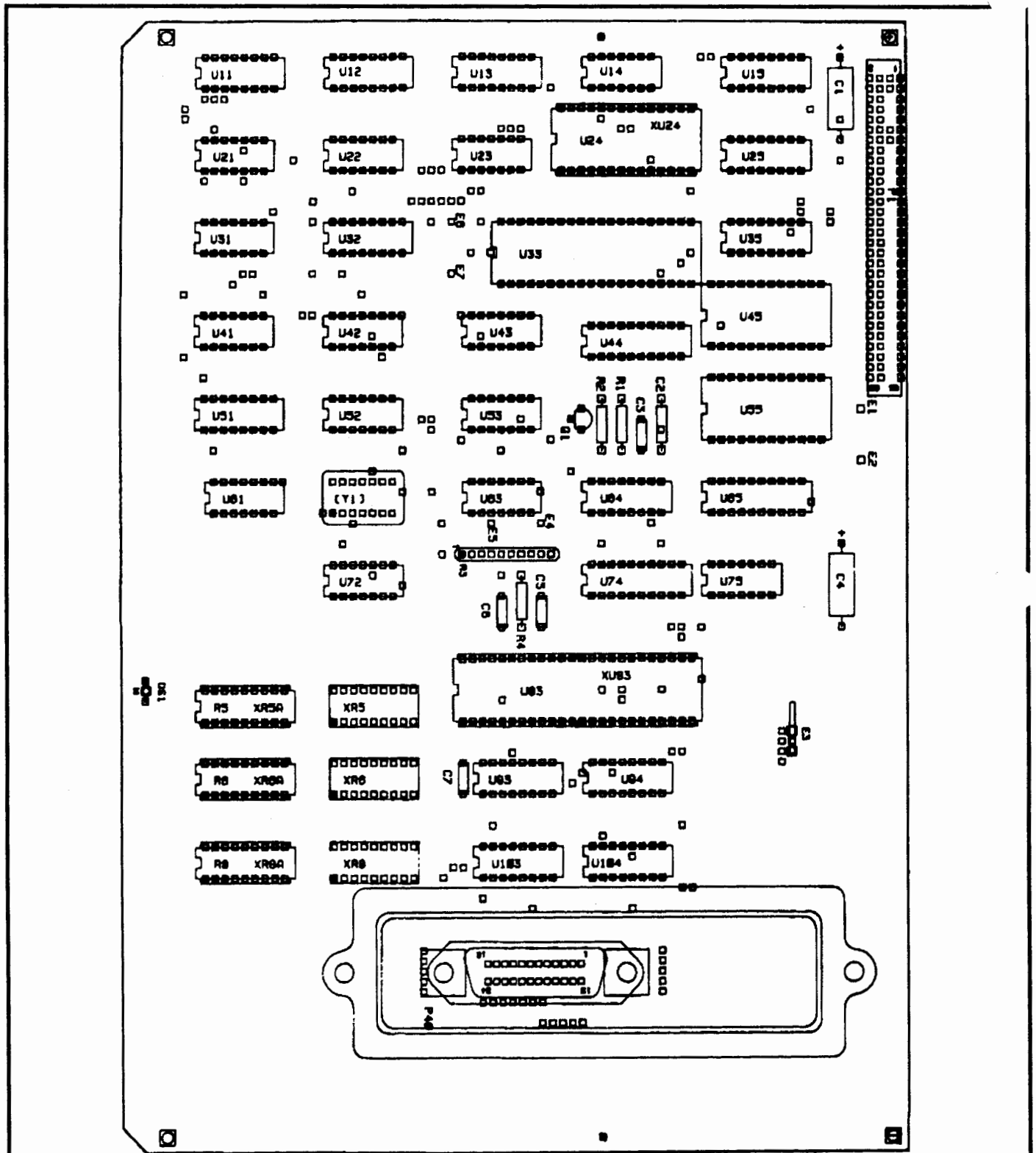


Figure 4-1. HP-IB Interface PCA (5061-1702) Parts Location

26067A

TABLE 4-3. HP-IB INTERFACE PCA (5061-1702) PARTS LIST

REF. DES./ INDEX NO.	DESCRIPTION	PART NO.
C1,4	CAP:F 6.8UF TANT 35V	0180-0116
C2	CAP:F 33PF 5% 100V	0160-4807
C3,5,6,7	CAP:F 0.01UF 20% DIP	0160-5298
DS1	LED	1990-0671
E3	TAB: Male PC	
P1	CONN: Backplane	1251-7308
P40	CONN:24 PIN	1251-4040
Q1	XSTR:PNP 2N3906	1853-0036
R1	RES:F 33K 5% .25W	0683-3335
R2	RES:F 22 5% .25W	0683-2205
R3	RES:PACK 9-2.2K 2% .125W	1810-0277
R4	RES:F 38.3K 1% .125W	0698-3161
R5	RES:PACK 16-3K/6.2K	1810-0408
R6	RES:PACK 16-1.5K/3.1K	1810-0410
R8	RES:PACK 16-750/1.5K	1810-0409
U11,32	IC:SN74LS279N	1820-1440
U12,13	IC:SN74LS138N	1820-1216
U14	IC: SN74S03N	1820-0682
U15,25,35	IC:SN74LS298N	1820-1444
U21,22	IC:SN74LS00N	1820-1187
U23	IC:SN74LS32N	1820-1208
U24	EPROM:HP-IB I/O	5061-1704
U31	IC:SN74LS02N	1820-1144
U33	IC: Z80A - CPU-PS	1820-2298
U41,61	IC:SN74LS14N	1820-1416
U42,52,63	IC:SN74S74N	1820-0693
U44,65,74	IC:SN74LS245N	1820-2075
U43	IC:SN74LS151N	1820-1210
U45,55	IC:HM6116P-3	1818-1611
U51	IC:SN74LS175	1820-1195
U53	IC:SN74LS126AN	1820-1645
U64	IC:SN74LS368AN	1820-1492
U72	IC:SN74LS74N	1820-1112
U75	IC:SN74LS10N	1820-1202
U83	IC:HP-IB (ABI)	1AD5-6101
U93,94,103,104	IC:MC3448AL	1820-2458
XR5,5A,6,6A,8,8A	SOCKET: 18 PIN IC	1200-0539
XU83A,83B	SOCKET: 24 PIN IC	1200-0541
XU24	SOCKET: 28 PIN IC	1200-0567

26067A

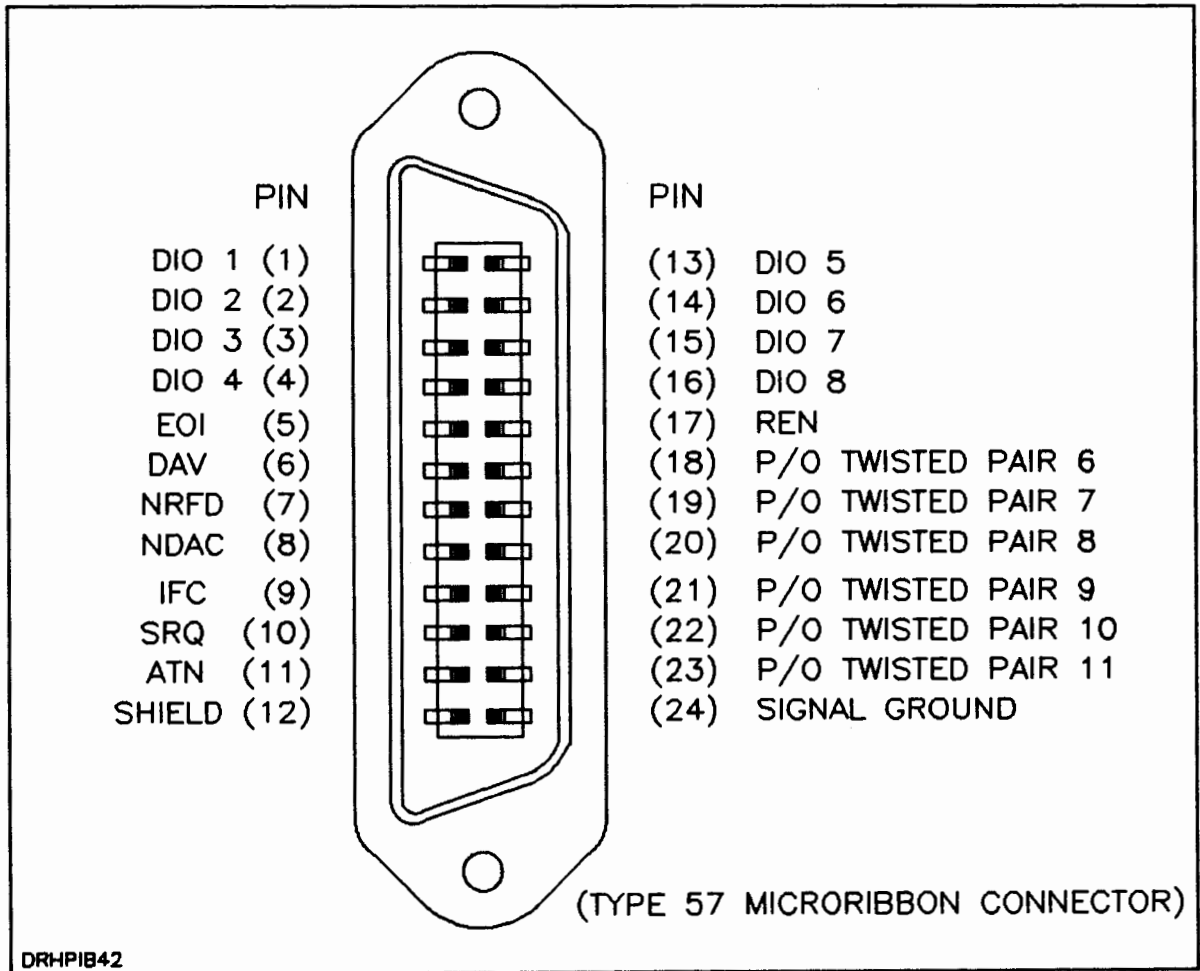


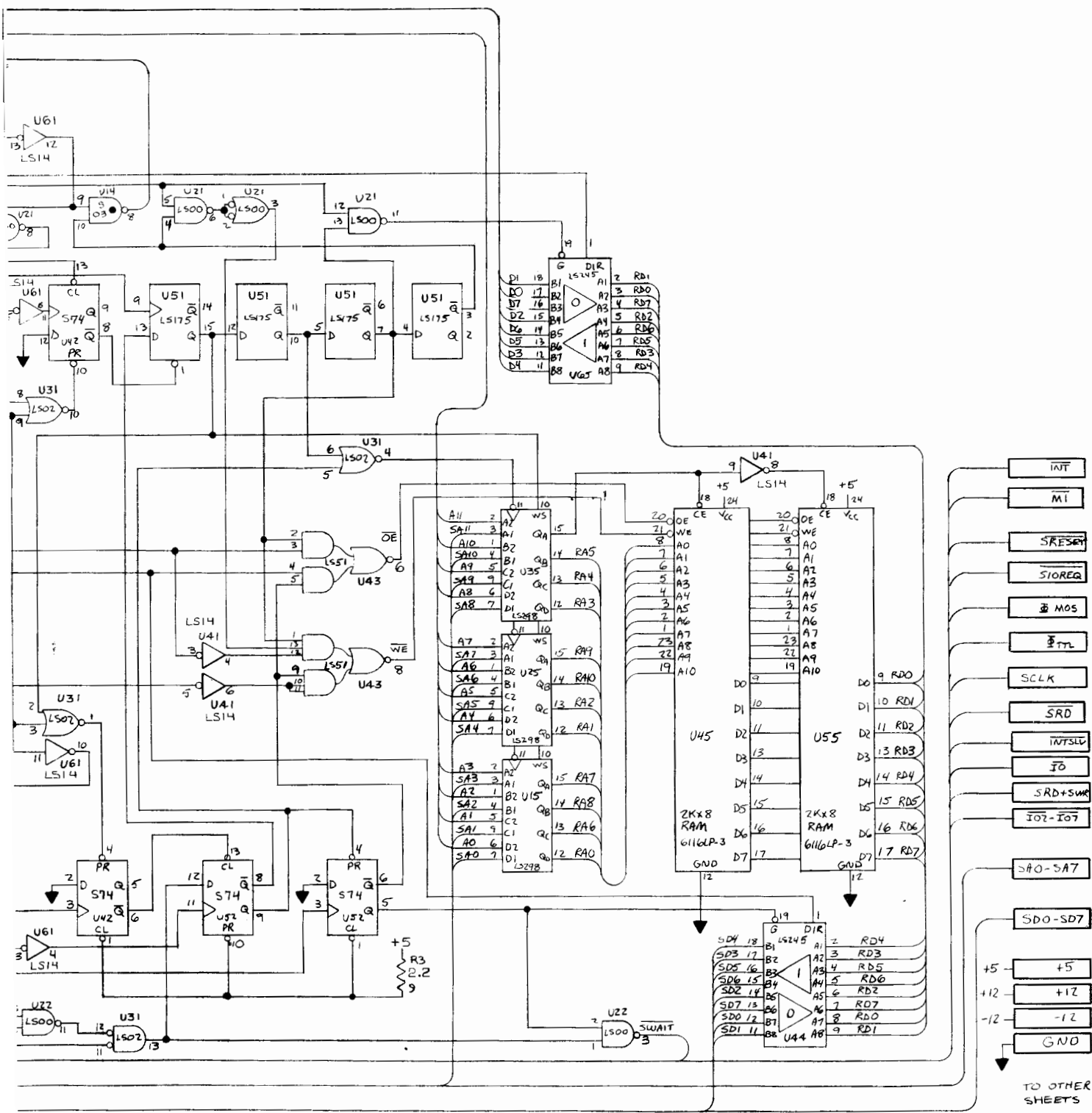
Figure 4-2. HP-IB Connector (P40) Signal Connections

26067A

TABLE 4-4. INTERFACE BACKPLANE CONNECTOR (P1) SIGNAL CONNECTIONS

PIN	SIGNAL	PIN	SIGNAL
1	+5	2	+5
3	+5	4	+5
5	Reserved	6	VSERVO
7	+12	8	+12
9	-12	10	-12
11	GND	12	GND
13	GND	14	GND
15	SCLOCK	16	SPASE
17	/FIRE	18	/NMI
19	/HMRDATA	20	/SPASE
21	/IOREQ	22	/MEMREQS
23	/RESET	24	/INTMAS
25	[CLOCK 7 to 8 MHz]	26	/WAIT
27	/RD	28	/WR
29	A0	30	A1
31	A2	32	A3
33	A4	34	A5
35	A6	36	A7
37	A8	38	A9
39	A10	40	A11
41	A12	42	A13
43	A14	44	A15
45	S0	46	S1
47	S2	48	S3
49	D0	50	D1
51	D2	52	D3
53	D4	54	D5
55	D6	56	D7
57	/INTACK	58	/POLACK
59	/IOREQ	60	/MEMREQ

"/" Indicates the signal is NOTed.



TO SHEET 2 OF 3

Figure 4-3. HP-IB Interface PCA (5061-1702) Schematic (Sheet 1 of 3)

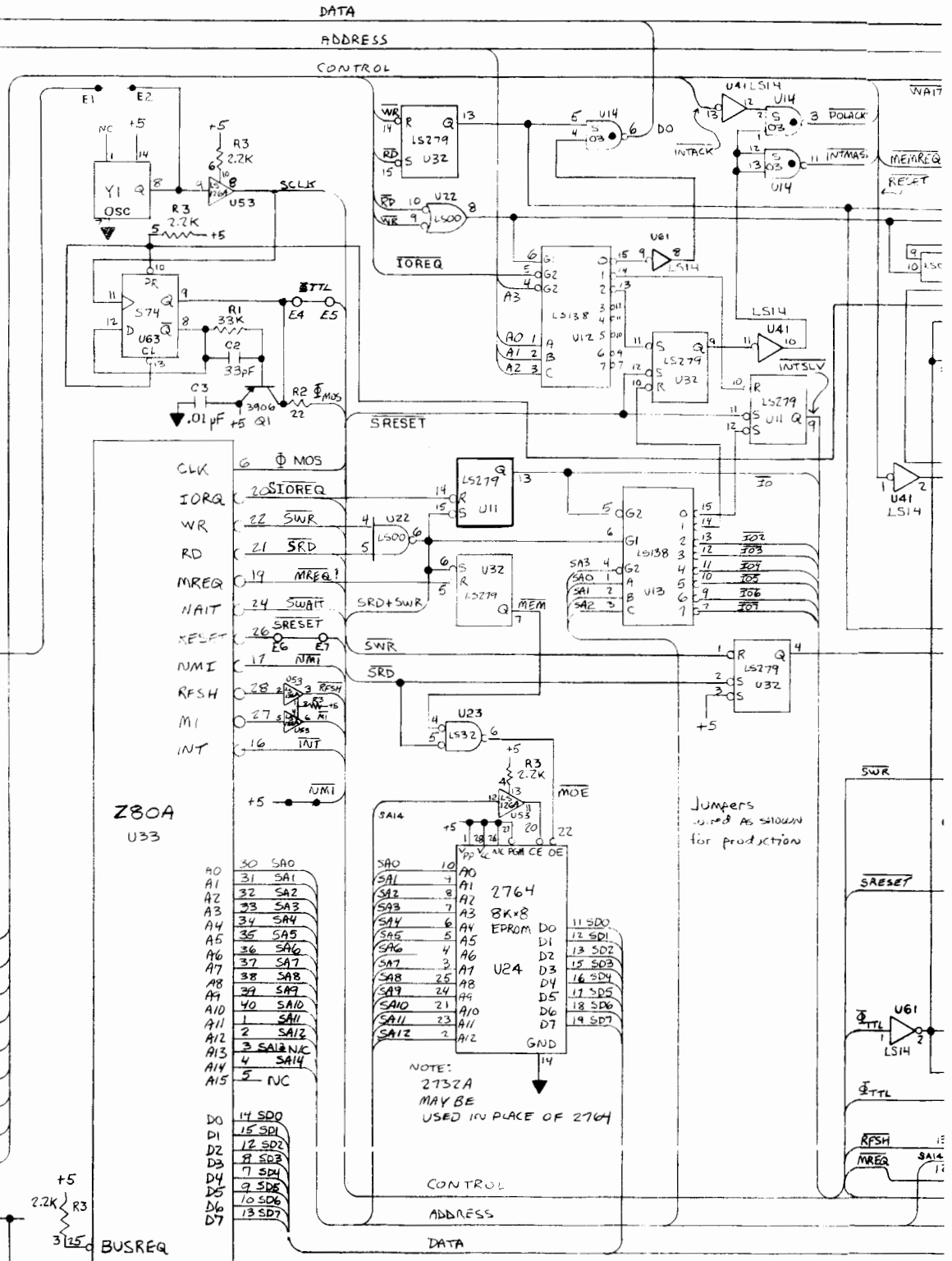
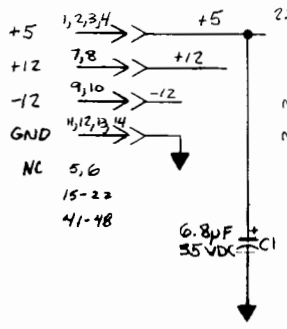
- P1
- D0 49 → D0
- D1 50 → D1
- D2 51 → D2
- D3 52 → D3
- D4 53 → D4
- D5 54 → D5
- D6 55 → D6
- D7 56 → D7

- A0 29 → A0
- A1 30 → A1
- A2 31 → A2
- A3 32 → A3
- A4 33 → A4
- A5 34 → A5
- A6 35 → A6
- A7 36 → A7
- A8 37 → A8
- A9 38 → A9
- A10 39 → A10
- A11 40 → A11

CLOCK 25 → CLOCK

PRINTER
CONNECTOR

- INTMAS 24 → INTMAS
- RESET 23 → RESET
- MEMREQ 60 → MEMREQ
- IOREQ 59 → IOREQ
- POLACK 58 → POLACK
- INTACK 57 → INTACK
- WAIT 26 → WAIT
- RD 27 → RD
- WR 28 → WR

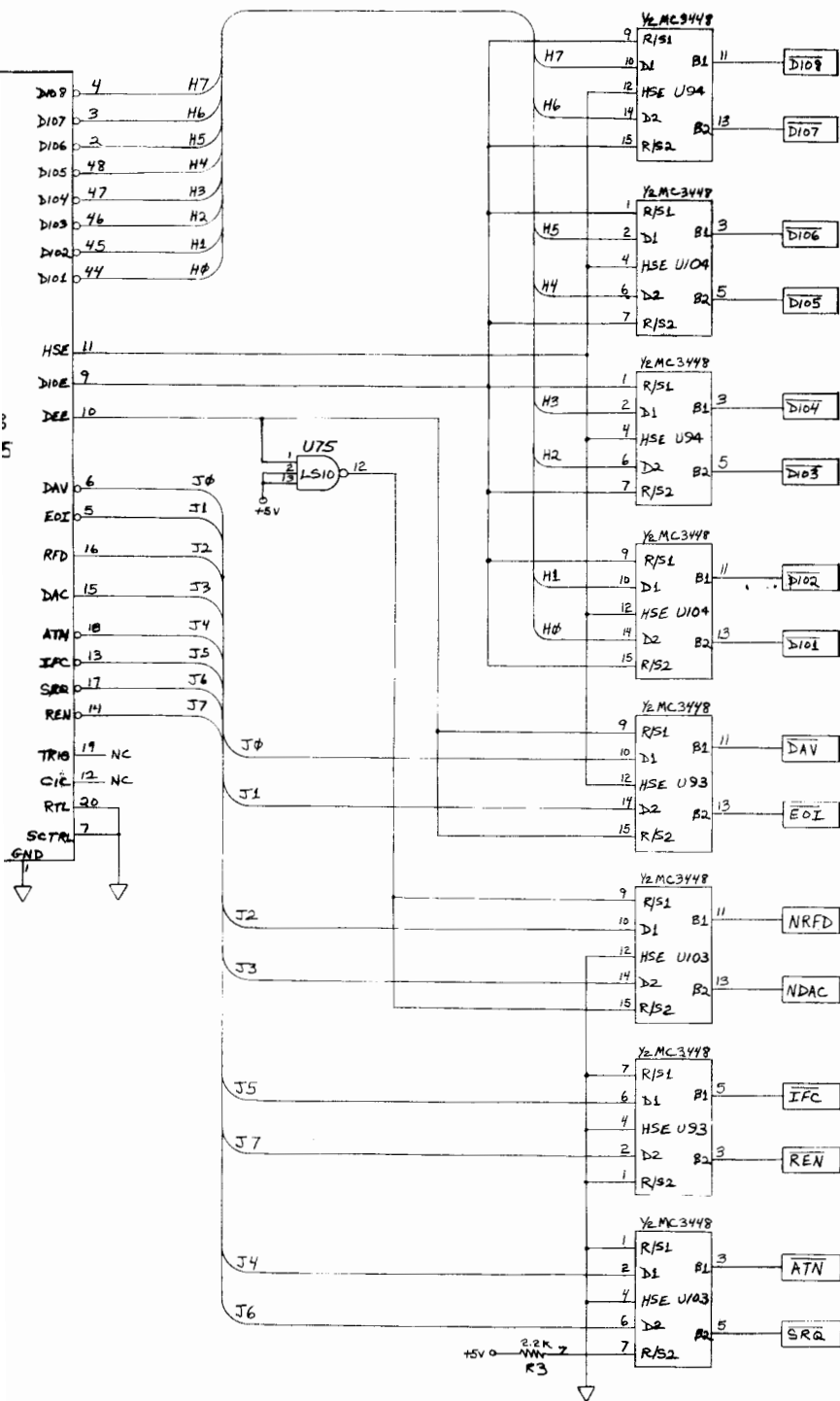


Z80A U33

40	30	SA0
A1	31	SA1
A2	32	SA2
A3	33	SA3
A4	34	SA4
A5	35	SA5
A6	36	SA6
A7	37	SA7
A8	38	SA8
A9	39	SA9
A10	40	SA10
A11	1	SA11
A12	2	SA12
A13	3	SA13
A14	4	SA14
A15	5	NC
D0	14	SD0
D1	15	SD1
D2	12	SD2
D3	13	SD3
D4	7	SD4
D5	9	SD5
D6	10	SD6
D7	13	SD7

U24

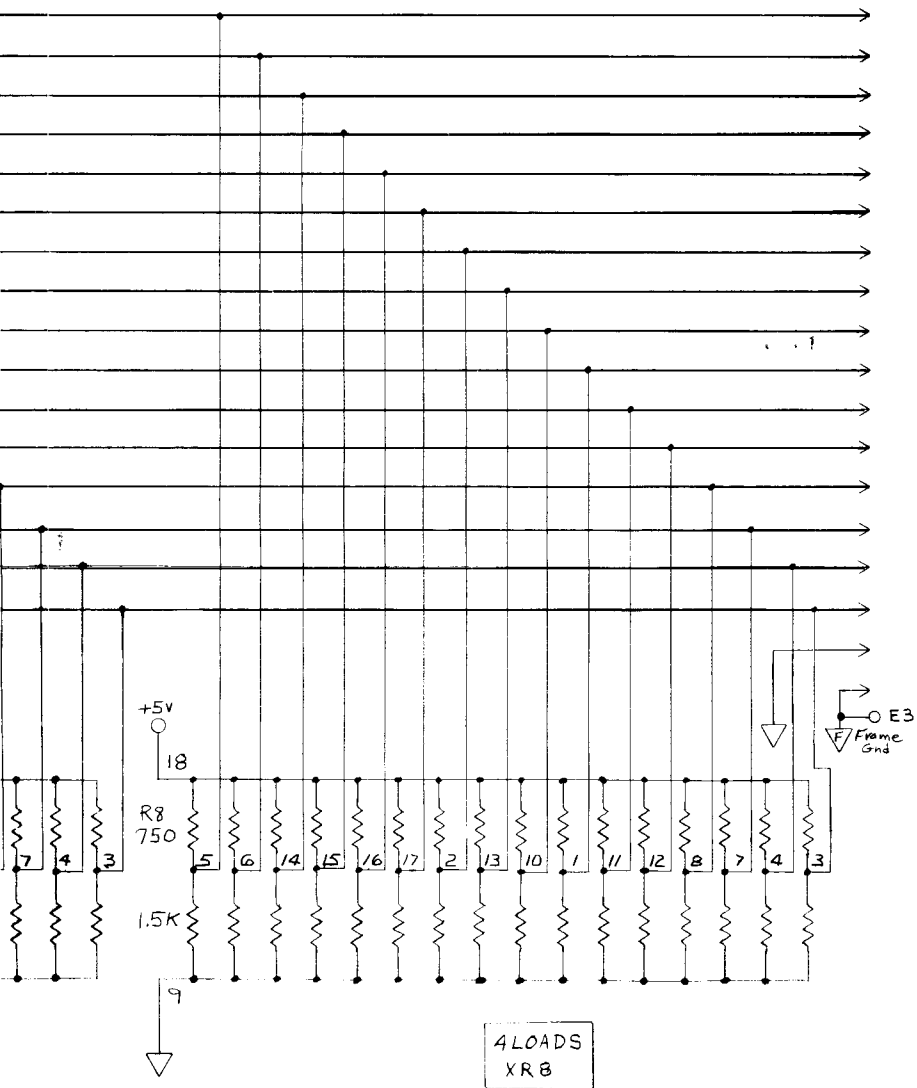
SA14	15	SA14
SA13	14	SA13
SA12	13	SA12
SA11	12	SA11
SA10	11	SA10
SA9	10	SA9
SA8	9	SA8
SA7	8	SA7
SA6	7	SA6
SA5	6	SA5
SA4	5	SA4
SA3	4	SA3
SA2	3	SA2
SA1	2	SA1
SA0	1	SA0
CE	14	CE
OE	13	OE
WE	12	WE
DO	11	SD0
D1	12	SD1
D2	13	SD2
D3	14	SD3
D4	15	SD4
D5	16	SD5
D6	17	SD6
D7	18	SD7
D8	19	SD8
D9	20	SD9
D10	21	SD10
D11	22	SD11
D12	23	SD12
D13	24	SD13
D14	25	SD14
D15	26	SD15
D16	27	SD16
D17	28	SD17
D18	29	SD18
D19	30	SD19
D20	31	SD20
D21	32	SD21
D22	33	SD22
D23	34	SD23
D24	35	SD24
D25	36	SD25
D26	37	SD26
D27	38	SD27
D28	39	SD28
D29	40	SD29
D30	41	SD30
D31	42	SD31
D32	43	SD32
D33	44	SD33
D34	45	SD34
D35	46	SD35
D36	47	SD36
D37	48	SD37
D38	49	SD38
D39	50	SD39
D40	51	SD40
D41	52	SD41
D42	53	SD42
D43	54	SD43
D44	55	SD44
D45	56	SD45
D46	57	SD46
D47	58	SD47
D48	59	SD48
D49	60	SD49
D50	61	SD50
D51	62	SD51
D52	63	SD52
D53	64	SD53
D54	65	SD54
D55	66	SD55
D56	67	SD56
D57	68	SD57
D58	69	SD58
D59	70	SD59
D60	71	SD60
D61	72	SD61
D62	73	SD62
D63	74	SD63
D64	75	SD64
D65	76	SD65
D66	77	SD66
D67	78	SD67
D68	79	SD68
D69	80	SD69
D70	81	SD70
D71	82	SD71
D72	83	SD72
D73	84	SD73
D74	85	SD74
D75	86	SD75
D76	87	SD76
D77	88	SD77
D78	89	SD78
D79	90	SD79
D80	91	SD80
D81	92	SD81
D82	93	SD82
D83	94	SD83
D84	95	SD84
D85	96	SD85
D86	97	SD86
D87	98	SD87
D88	99	SD88
D89	100	SD89
D90	101	SD90
D91	102	SD91
D92	103	SD92
D93	104	SD93
D94	105	SD94
D95	106	SD95
D96	107	SD96
D97	108	SD97
D98	109	SD98
D99	110	SD99
D100	111	SD100
D101	112	SD101
D102	113	SD102
D103	114	SD103
D104	115	SD104
D105	116	SD105
D106	117	SD106
D107	118	SD107
D108	119	SD108
D109	120	SD109
D110	121	SD110
D111	122	SD111
D112	123	SD112
D113	124	SD113
D114	125	SD114
D115	126	SD115
D116	127	SD116
D117	128	SD117
D118	129	SD118
D119	130	SD119
D120	131	SD120
D121	132	SD121
D122	133	SD122
D123	134	SD123
D124	135	SD124
D125	136	SD125
D126	137	SD126
D127	138	SD127
D128	139	SD128
D129	140	SD129
D130	141	SD130
D131	142	SD131
D132	143	SD132
D133	144	SD133
D134	145	SD134
D135	146	SD135
D136	147	SD136
D137	148	SD137
D138	149	SD138
D139	150	SD139
D140	151	SD140
D141	152	SD141
D142	153	SD142
D143	154	SD143
D144	155	SD144
D145	156	SD145
D146	157	SD146
D147	158	SD147
D148	159	SD148
D149	160	SD149
D150	161	SD150
D151	162	SD151
D152	163	SD152
D153	164	SD153
D154	165	SD154
D155	166	SD155
D156	167	SD156
D157	168	SD157
D158	169	SD158
D159	170	SD159
D160	171	SD160
D161	172	SD161
D162	173	SD162
D163	174	SD163
D164	175	SD164
D165	176	SD165
D166	177	SD166
D167	178	SD167
D168	179	SD168
D169	180	SD169
D170	181	SD170
D171	182	SD171
D172	183	SD172
D173	184	SD173
D174	185	SD174
D175	186	SD175
D176	187	SD176
D177	188	SD177
D178	189	SD178
D179	190	SD179
D180	191	SD180
D181	192	SD181
D182	193	SD182
D183	194	SD183
D184	195	SD184
D185	196	SD185
D186	197	SD186
D187	198	SD187
D188	199	SD188
D189	200	SD189
D190	201	SD190
D191	202	SD191
D192	203	SD192
D193	204	SD193
D194	205	SD194
D195	206	SD195
D196	207	SD196
D197	208	SD197
D198	209	SD198
D199	210	SD199
D200	211	SD200
D201	212	SD201
D202	213	SD202
D203	214	SD203
D204	215	SD204
D205	216	SD205
D206	217	SD206
D207	218	SD207
D208	219	SD208
D209	220	SD209
D210	221	SD210
D211	222	SD211
D212	223	SD212
D213	224	SD213
D214	225	SD214
D215	226	SD215
D216	227	SD216
D217	228	SD217
D218	229	SD218
D219	230	SD219
D220	231	SD220
D221	232	SD221
D222	233	SD222
D223	234	SD223
D224	235	SD224
D225	236	SD225
D226	237	SD226
D227	238	SD227
D228	239	SD228
D229	240	SD229
D230	241	SD230
D231	242	SD231
D232	243	SD232
D233	244	SD233
D234	245	SD234
D235	246	SD235
D236	247	SD236
D237	248	SD237
D238	249	SD238
D239	250	SD239
D240	251	SD240
D241	252	SD241
D242	253	SD242
D243	254	SD243
D244	255	SD244
D245	256	SD245
D246	257	SD246
D247	258	SD247
D248	259	SD248
D249	260	SD249
D250	261	SD250
D251	262	SD251
D252	263	SD252
D253	264	SD253
D254	265	SD254
D255	266	SD255
D256	267	SD256
D257	268	SD257
D258	269	SD258
D259	270	SD259
D260	271	SD260
D261	272	SD261
D262	273	SD262
D263	274	SD263
D264	275	SD264
D265	276	SD265
D266	277	SD266
D267	278	SD267
D268	279	SD268
D269	280	SD269
D270	281	SD270
D271	282	SD271
D272	283	SD272
D273	284	SD273
D274	285	SD274
D275	286	SD275
D276	287	SD276
D277	288	SD277
D278	289	SD278
D279	290	SD279
D280	291	SD280
D281	292	SD281
D282	293	SD282
D283	294	SD283
D284	295	SD284
D285	296	SD285
D286	297	SD286
D287	298	SD287
D288	299	SD288
D289	300	SD289
D290	301	SD290
D291	302	SD291
D292	303	SD292
D293	304	SD293
D294	305	SD294
D295	306	SD295
D296	307	SD296
D297	308	SD297
D298	309	SD298
D299	310	SD299
D300	311	SD300
D301	312	SD301
D302	313	SD302
D303	314	SD303
D304	315	SD304
D305	316	SD305
D306	317	SD306
D307	318	SD307
D308	319	SD308
D309	320	SD309
D310	321	SD310
D311	322	SD311
D312	323	SD312
D313	324	SD313
D314	325	SD314
D315	326	SD315
D316	327	SD316
D317	328	SD317
D318	329	SD318
D319	330	SD319
D320	331	SD320
D321	332	SD321
D322	333	SD322
D323	334	SD323
D324	335	SD324
D325	336	SD325
D326	337	SD326
D327	338	SD327
D328	339	SD328
D329	340	SD329
D330	341	SD330
D331	342	SD331
D332	343	



TO
SHEET
3 OF 3

3
5
D
EET
F 3

Figure 4-3. HP-IB Interface PCA
(5061-1702) Schematic (Sheet 2 of 3)



P40

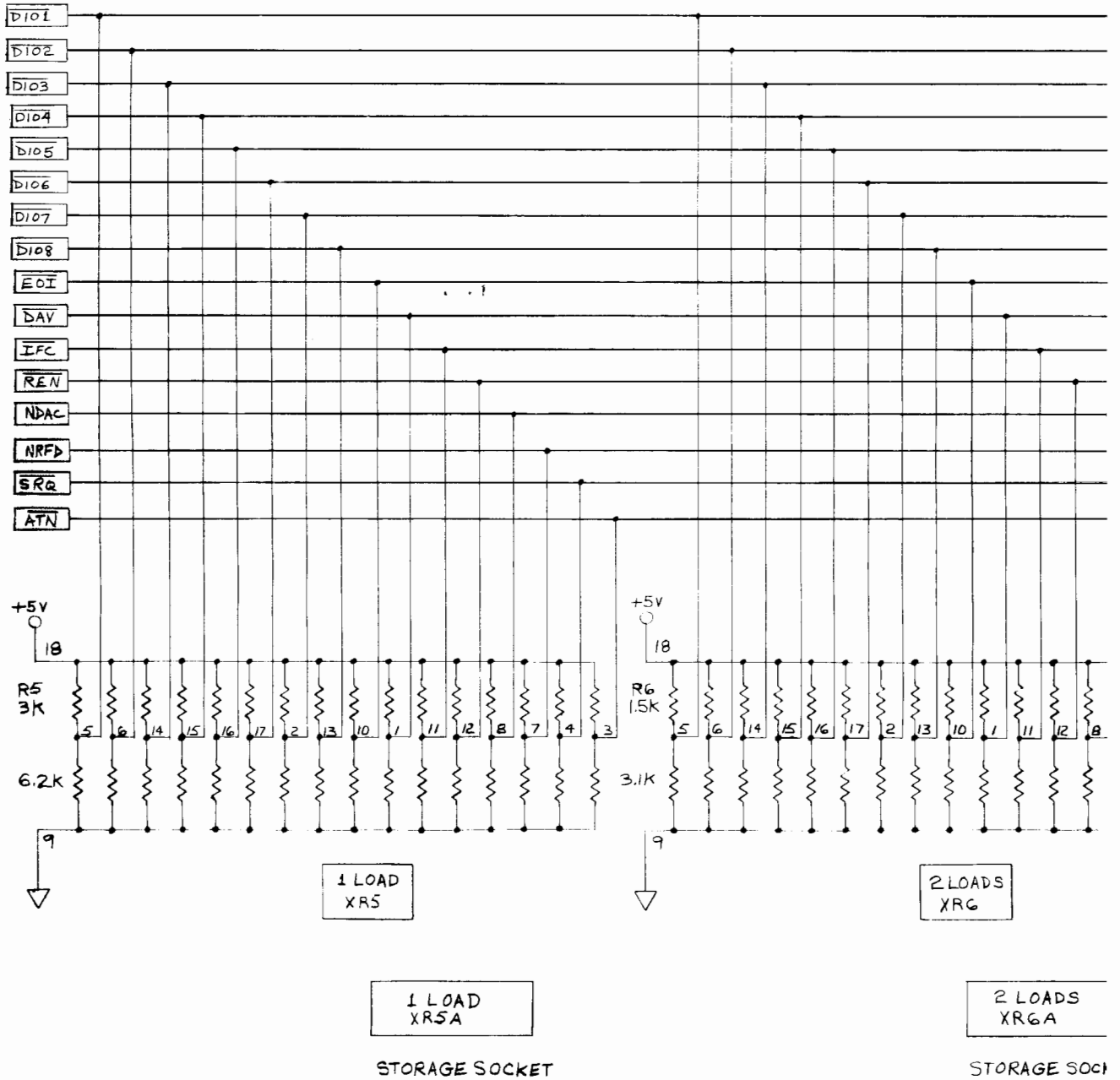
- | | |
|-------------|-------------------|
| 1 | $\overline{D101}$ |
| 2 | $\overline{D102}$ |
| 3 | $\overline{D103}$ |
| 4 | $\overline{D104}$ |
| 13 | $\overline{D105}$ |
| 14 | $\overline{D106}$ |
| 15 | $\overline{D107}$ |
| 16 | $\overline{D108}$ |
| 5 | $\overline{E01}$ |
| 6 | \overline{DAV} |
| 9 | \overline{IFC} |
| 17 | \overline{REN} |
| 8 | \overline{NDAC} |
| 7 | \overline{NRFD} |
| 10 | \overline{SRQ} |
| 11 | \overline{ATN} |
| 18,19,20 | RETURNS |
| 21,22,23,24 | |
| 12 | SHIELD |

RET

STORAGE SOCKET

Figure 4-3. HP-IB Interface PCA (5061-1702) Schematic (Sheet 3 of 3)

TO SHEET 2 OF 3



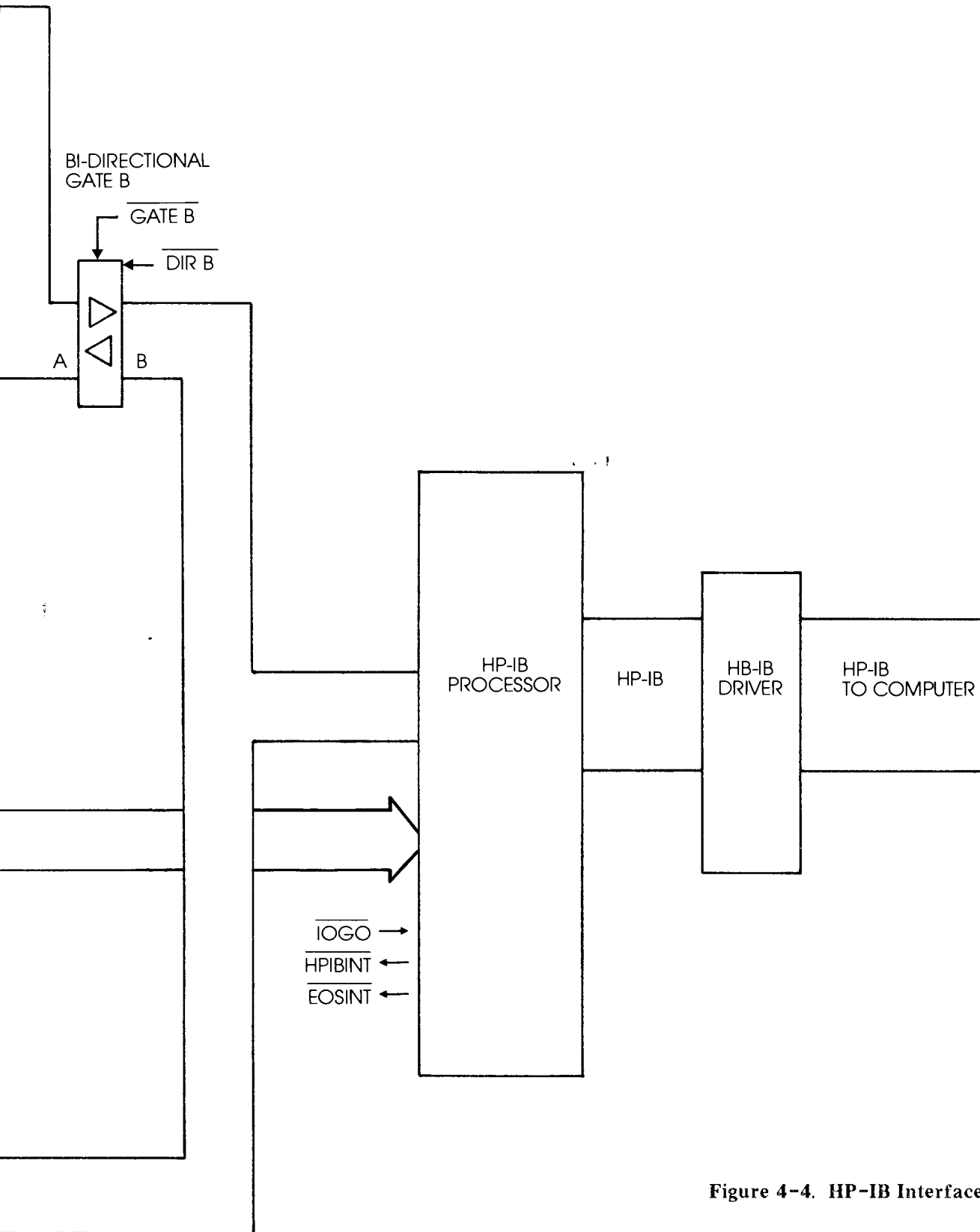
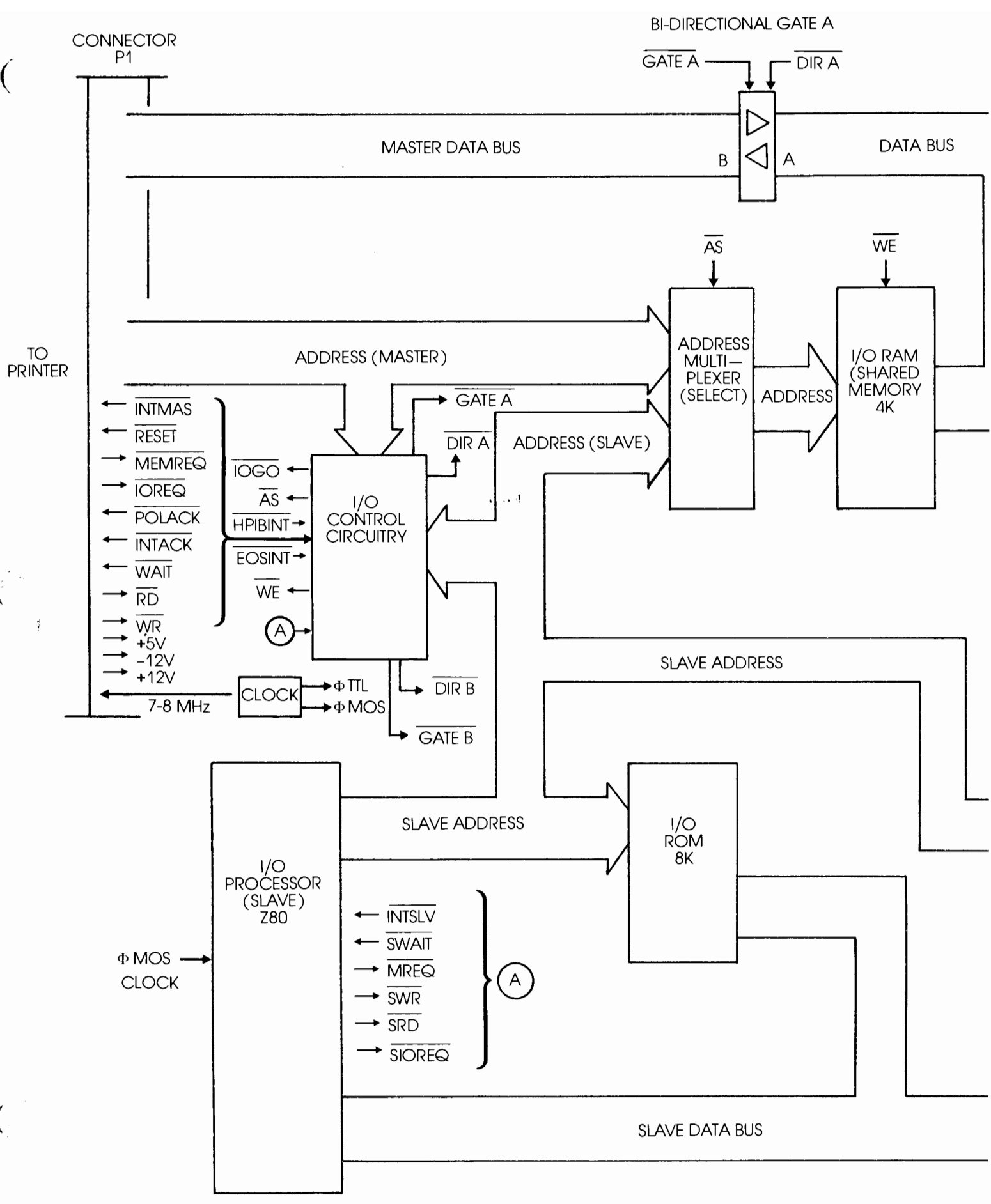


Figure 4-4. HP-IB Interface Block Diagram



26067A

APPENDIX A

CE MODE SYSTEM DRIVER CONFIGURATION

A-1. INTRODUCTION

The HP-IB interface can be configured to operate with either of two different system drivers: HPOCIPR0 (used mainly on HP 1000, 3000, 9000 systems), or HIOPTR0 (used on HP 64000 systems). This interface configuration is ordered as system printer option and configured at the factory. If the printer is switched to another system using the alternate type of printer driver, the interface can be reconfigured for the system printer driver. The HP-IB interface is configured for the system printer driver type in the same way as any function (HP-IB address, for example), except that the printer must be in CE mode (refer to paragraph 2-5, CE Mode Configuration). In CE mode use function number 25 to access the printer driver type function and then enter either a 0 configuration (parameter) number for driver

HPOCIPR0 or enter a 1 if the printer driver is the HILOLPTR0.

TABLE A-1. HP-IB PRINTER DRIVER
TYPE CONFIGURATION

FUNCTION NUMBER	CONFIGURATION NUMBER
25	0 - For HP 3000 Systems 1 - For HP 64000 and HP 250 Systems

