

# HP 2564B SOUND REDUCTION ATTACHMENT INSTALLATION INSTRUCTIONS

The sound reduction attachment for the HP 2564B Printer is easy to install and considerably reduces the audible noise emitted by the printer. A flat-bladed screwdriver is required for this installation.

Perform the following steps to install the sound cover:

- a. Remove the screw which grounds the tinsel strip to the plate on the back of the printer (see figure 1).
- b. Remove the paper bail by pulling it up and then away from the printer (see figure 1 below).

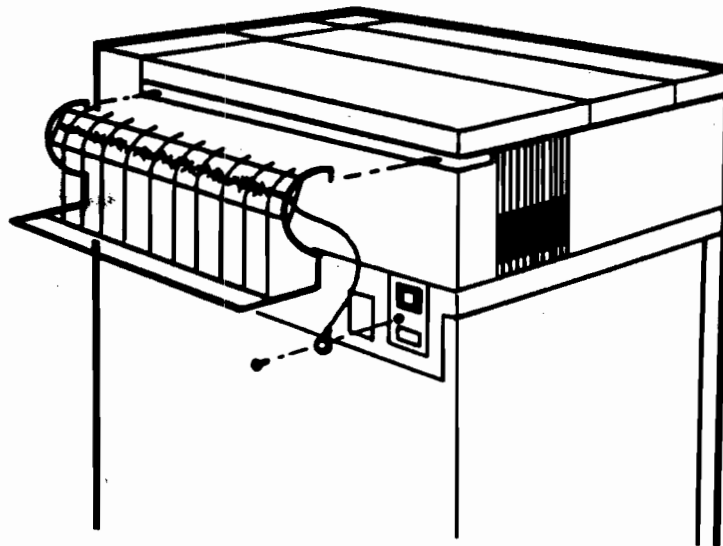
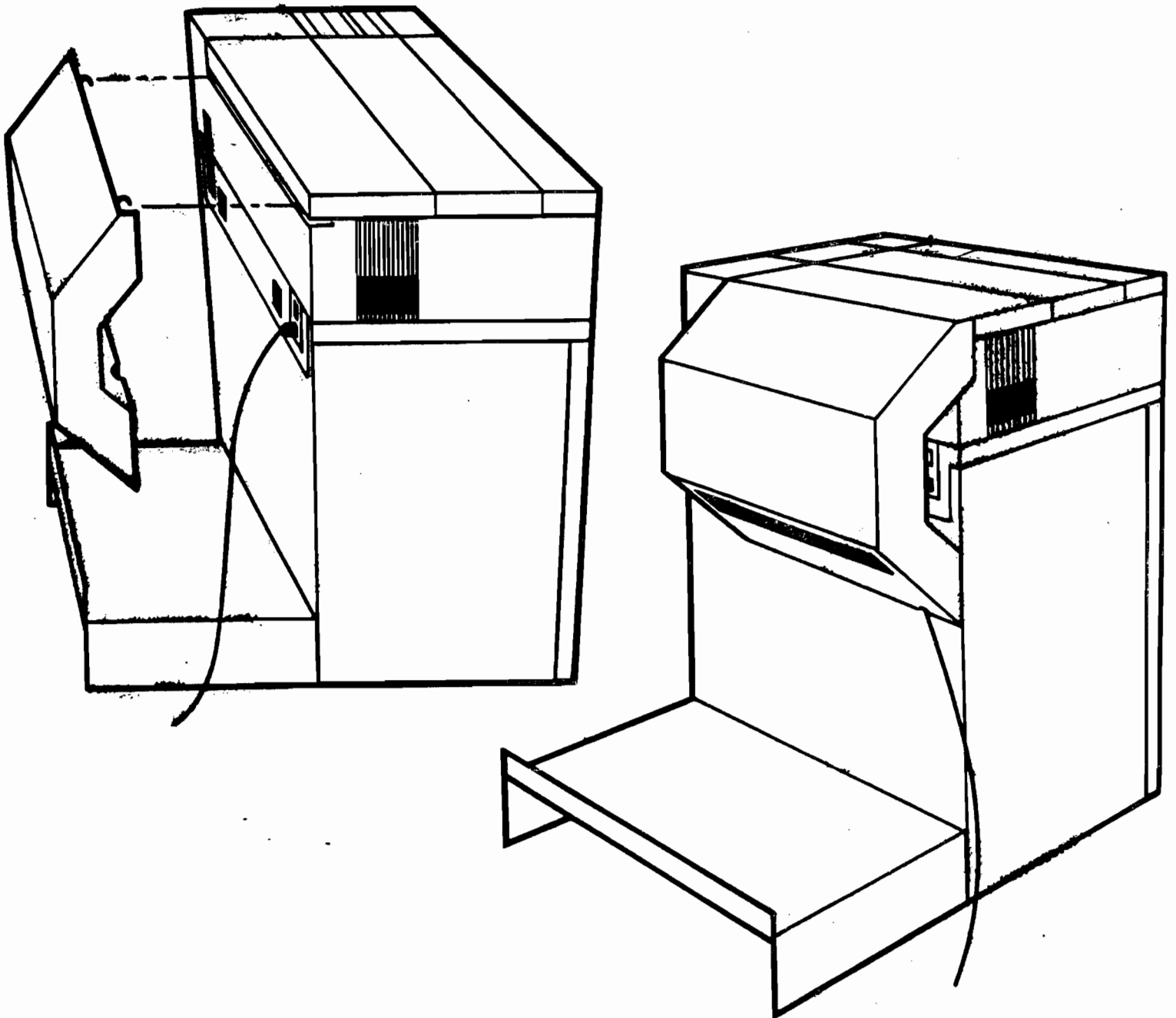


Figure 1. Removing the Ground Wire and Paper Bail

**HP Computer Museum**  
**[www.hpmuseum.net](http://www.hpmuseum.net)**

**For research and education purposes only.**

- d. **Install** the sound reduction attachment just as the paper bail was installed (see figure 2). Route the AC power cord so that it fits in the indentation in the sound reduction attachment. Make sure the wire hooks are fully seated in the holes in the printer.



**Figure 2. Installing the Sound Reduction Attachment**