

The software patches may be obtained from HP Customer Service.

INSTRUCTIONS FOR HP-UX 9.X

You will not be able to load HP-UX 9.03 on a standalone, newly installed **2-GB** drive. To install HP-UX 9.03 on 2-GB drives, you must use a **netdist** install server.

You must install patch PHSS_5776 on the **netdist** install server to recognize **2-GB** drives for both HP-UX 9.03 and 9.05.

After you have loaded HP-UX onto the either the **2-GB** or **4-GB** drive, you must load patch PHCO_7461 for **disktab** and **sam** functionality.

Install the patches using **/etc/update**.

To load HP-UX **9.05** onto a newly installed standalone **2-GB** drive, prior to loading the patches, perform the following steps:

1. Begin the HP-UX software installation process. The following message appears:
"Note: the destination disk type
"disk-drive-model-number" was not found in
the disk table /etc/disktab.
(Press any key to continue.)"
2. Press **any key**. The screen displays the following message:
"If model number: "disk-drive-model-number",
is incorrect, and a correct one (one that
has an entry in the /etc/disktab) is known,
please enter it now otherwise press return."
3. Press: **<Return>** (or **<Enter>**)
The screen displays a message about using default parameters.
4. Press **any key**.
5. Let the software installation process complete.

INSTRUCTIONS FOR HP-UX 10.X

After you have loaded HP-UX onto the new drive, install the appropriate patches using **swinstall** and reboot the system.

2- and 4-GB (Fast-Wide-Differential) Disk Drive User Notes

Refer to your workstation owner's guide or your disk drive installation guide for detailed information about installing your disk drive. During the installation procedure, you may have to change the SCSI ID of your disk drive. Refer to the appropriate illustration to set the SCSI ID jumpers to the desired SCSI ID.

NOTICE: We recommend that you use SCSI ID 6 for your workstation's first hard disk drive, and SCSI ID 5 for the second hard disk drive.

Minimum Software Requirements

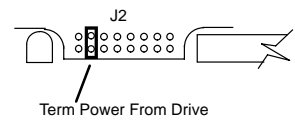
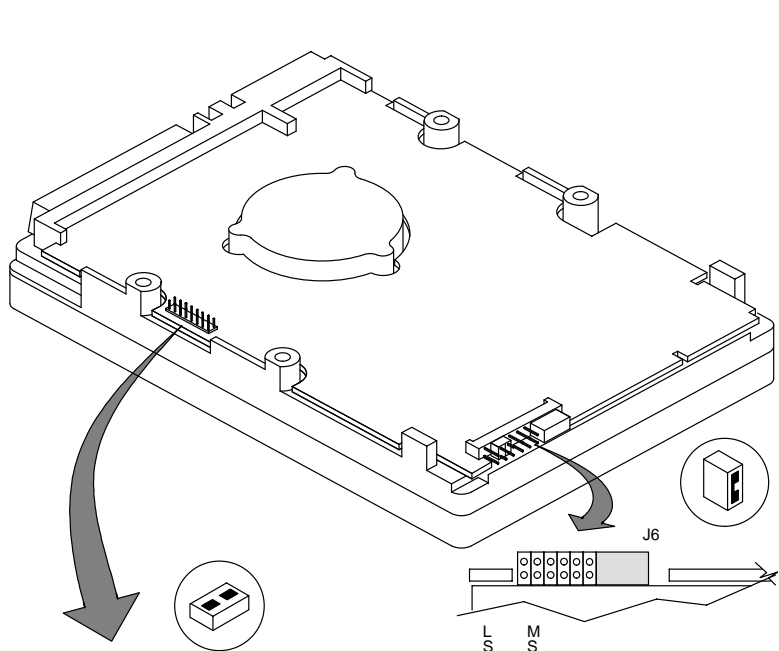
The **2-GB** disk drive is fully operational with HP-UX Release 9.03 and later on Series 700 binary-compatible systems.
The **4-GB** disk drive is fully operational with HP-UX Release 10.01 and later on Series 700 binary-compatible systems, and at HP-UX Releases 9.05 and 9.07, this drive may be used as a non-bootable device.

Patches are required to most operating systems. Please see the following table and the patch instructions on the last page of this document.

HP-UX Version	Patches - OS	Patches - Diags
9.03 (2-GB)	PHCO_7461, PHSS_5776	PHSS_7587
9.05	PHCO_7461, PHSS_5776(2-GB)	PHSS_7587
9.07	N/A	PHSS_7587
10.01	PHKL_8904, PHKL_8329	PHSS_7583
10.10	PHKL_8906	PHSS_7585
10.20	PHKL_8908	PHSS_7929

Part Number A1658-90692
Edition E1296
Printed in U.S.A.

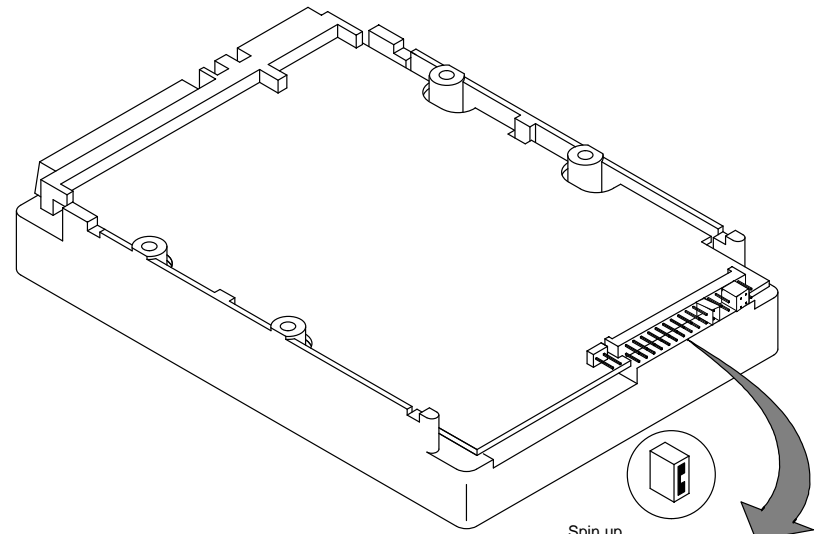




SCSI ID	A0	B0	L	A1	B1	M	A2	B2	A3	B3
6 (Highest Priority)	0	0	0	0	0	0	0	0	0	0
5	0	0	0	0	0	0	0	0	0	0
4	0	0	0	0	0	0	0	0	0	0
3	0	0	0	0	0	0	0	0	0	0
2	0	0	0	0	0	0	0	0	0	0
1	0	0	0	0	0	0	0	0	0	0
0	0	0	0	0	0	0	0	0	0	0
15	0	0	0	0	0	0	0	0	0	0
14	0	0	0	0	0	0	0	0	0	0
13	0	0	0	0	0	0	0	0	0	0
12	0	0	0	0	0	0	0	0	0	0
11	0	0	0	0	0	0	0	0	0	0
10	0	0	0	0	0	0	0	0	0	0
9	0	0	0	0	0	0	0	0	0	0
8 (Lowest Priority)	0	0	0	0	0	0	0	0	0	0

CAUTION
Do **NOT** use the jumper plugs for J2 on J6. You will damage the internal contacts

Seagate ST32171WD and ST34371WD Disk Drive Jumpers



SCSI ID	L	B	M	B	L	B
6 (Highest Priority)	0	0	0	0	0	0
5	0	0	0	0	0	0
4	0	0	0	0	0	0
3	0	0	0	0	0	0
2	0	0	0	0	0	0
1	0	0	0	0	0	0
0	0	0	0	0	0	0
15	0	0	0	0	0	0
14	0	0	0	0	0	0
13	0	0	0	0	0	0
12	0	0	0	0	0	0
11	0	0	0	0	0	0
10	0	0	0	0	0	0
9	0	0	0	0	0	0
8 (Lowest Priority)	0	0	0	0	0	0

Quantum – Atlas II – XP32181WD and XP34361WD Disk Drive Jumpers

The HP part numbers for the 2-GB drives are A1658-60010 (spare) and A1658-69010 (exchange).
The HP part numbers for the 4-GB drives are A1658-60011 (spare) and A1658-69011 (exchange).