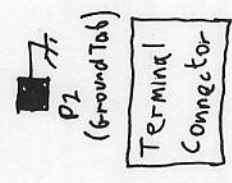
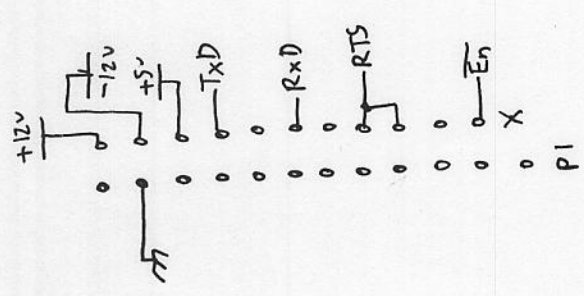
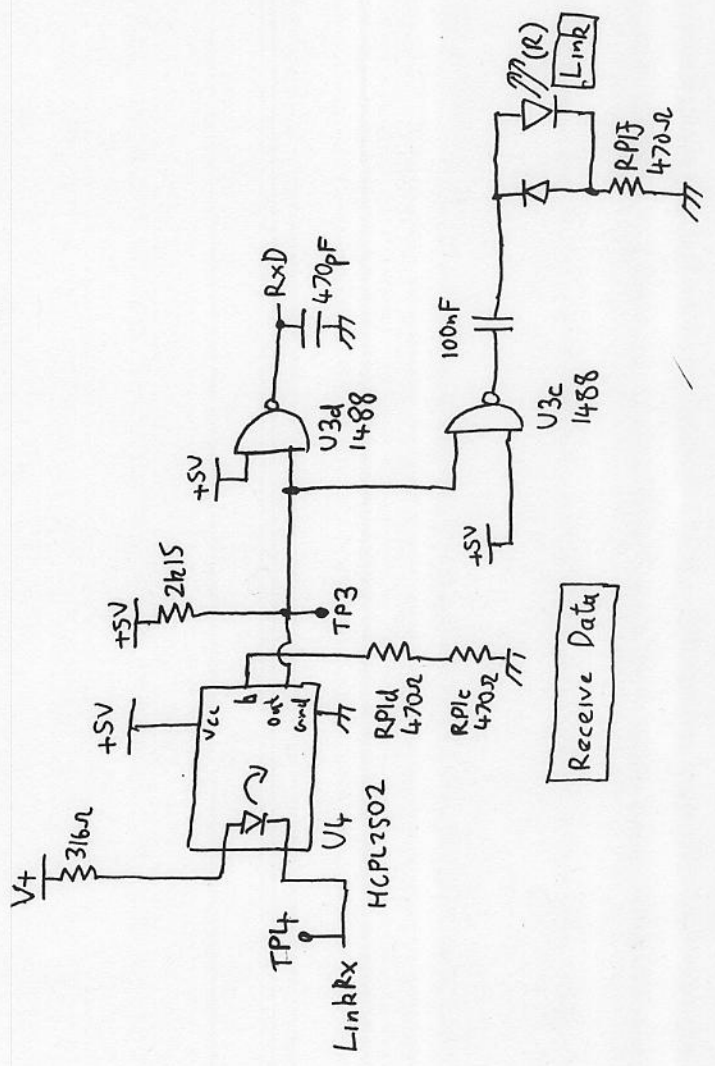
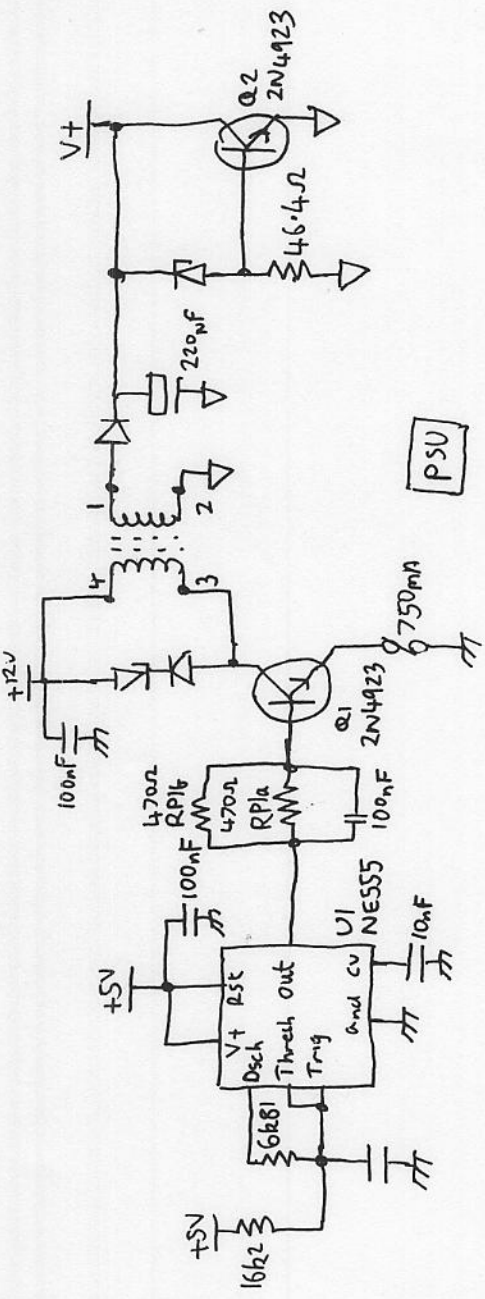
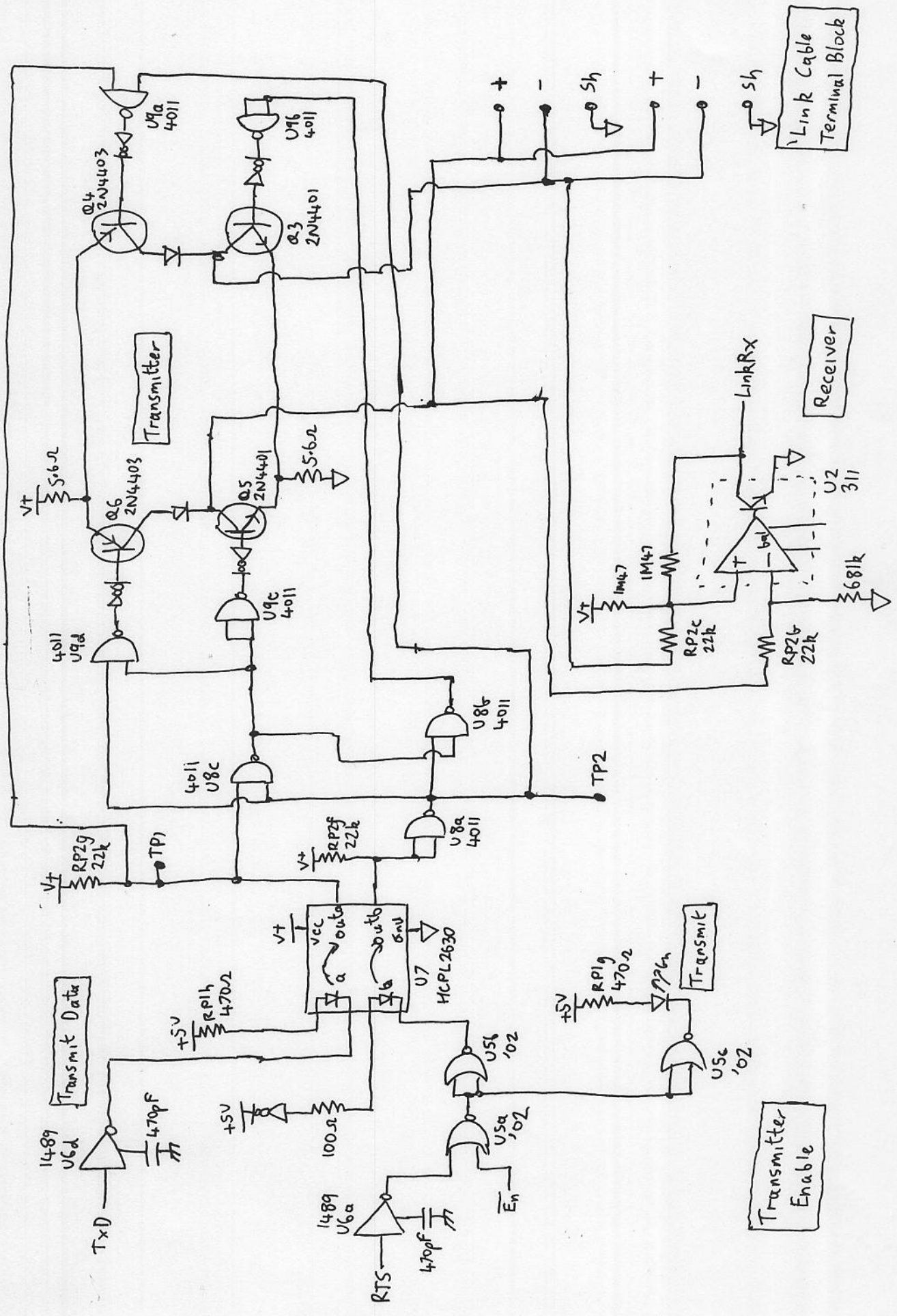


Terminal Blocks on  
13624-60001 PCB





Link Cable Terminal Block

Receiver

Transmitter

Transmit Data

Transmit

Transmitter Enable

TxD

RTS

En

LinkRx

TP2

TP1

+5V

+5V

+5V

Vt

Vt

Vt

Vt

Vt

Vt

+

-

Sh

+

-

Sh